



The Boat Cover Company



COCKPIT ENCLOSURES

When space is at a premium, try a premium product.

Tecsew have produced a wide range of well designed Cockpit Enclosures in weatherproof designs to cope with the worst conditions you may encounter.

- ◇ Discover unused space in your vessel by making use of a welcoming, enclosed Cockpit that can additionally be decorated with [Cockpit Cushions!](#)
- ◇ The Enclosure can also be utilised as an “In Harbour Bimini”, by virtue of rolling up both sides and the back door, whilst the corner pillars keep the roof section tensioned back as a sun shade.
- ◇ When not in use, the Enclosure folds up into the supplied stowage valise, or can be removed from the frame by way of the zipped pockets.
- ◇ The Enclosure, stowed in the valise and on the frame can be rested against the backstays, supported on optional struts, or dismantled and stowed below depending on the model of boat.

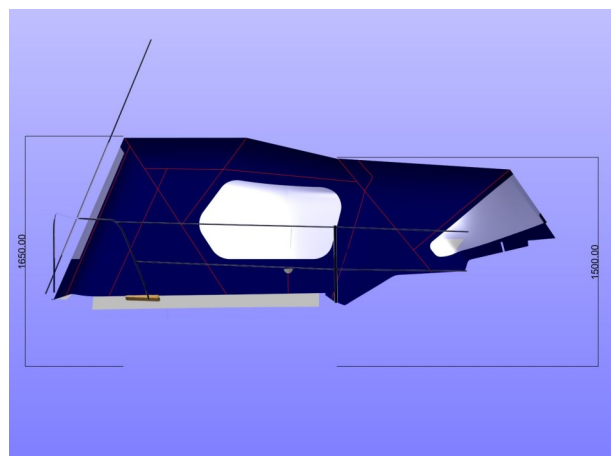
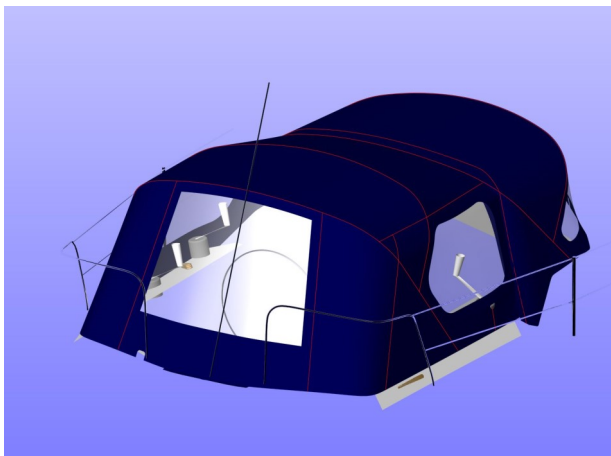
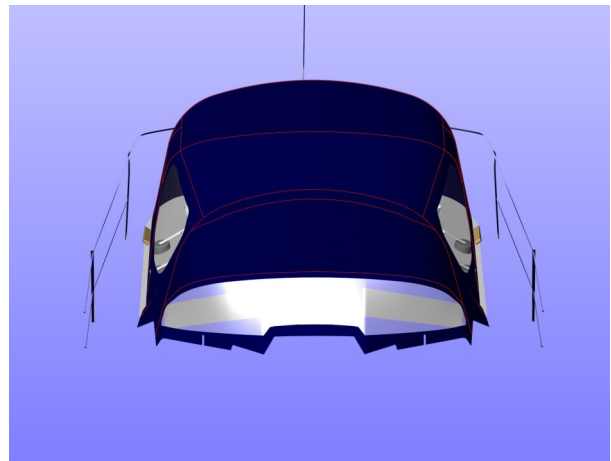
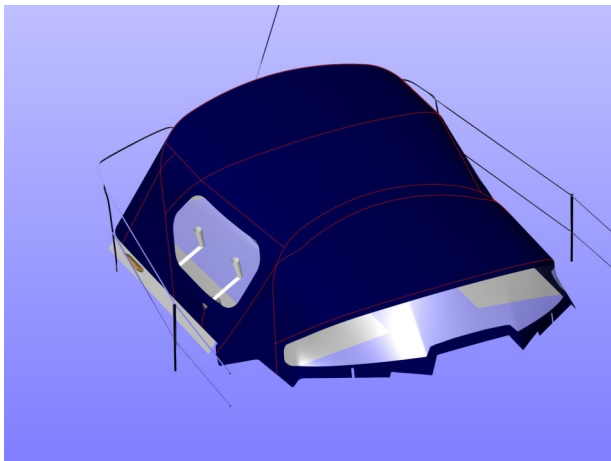
Introduction

We hold [CAD patterns](#) for many models, most of which have been developed with and supplied to the original yacht importer/building as original equipment. Please feel free to browse our extensive online product gallery, which features a selection of our work at www.tecsew.com.

If a bespoke product is required, the customer is welcome to become involved in the design and detailing of the specification.

We pride ourselves on improving quality and consistency, reducing delivery time, providing outstanding customer service and increasing the range of products and services we provide.

Our investment in new state-of-the-art technology and machinery, together with specifying the best materials available, allows Tecsew to dramatically increase product quality and specification.





How is it made?

- ◇ Tecsew manufacture all their [Cockpit Enclosures](#) in the highest quality [Sunbrella Plus](#) fabric. This material is highly moisture/stain/mould and mildew resistant with excellent abrasion resistance, and is extremely lightweight. As the colour is locked into the yarn, it will resist UV.
- ◇ Fabrics have been tested and proven to provide up to 98% UV protection from harmful effects of the sun when used in shade applications. Sunbrella fabrics have been awarded the 'Seal of Recommendation' by the [Skin Care Foundation](#), an international organisation dedicated to the prevention of skin cancer. This Seal signifies that Sunbrella fabrics have passed the Foundation's rigorous testing criteria and offer significant levels of protection. This protective factor is inherent to the product and will not be reduced by usage and/or fabric exposure to the sun.



Please visit the [Sunbrella page](#) on our website for the extensive choice of colours.

If there is existing canvas work on the boat, and you require us to colour match, then Tecsew will endeavour to match the existing fabric/colour of the previously supplied work, if required, utilising other ranges of fabric.

All windows are inserted using a strong top quality UV stabilised clear PVC.

Framework

The standard [Cockpit Enclosure](#) framework is assembled using 18mm, 316 marine grade stainless steel tube, and includes adjustable terminal frame fittings for further tensioning of the product.

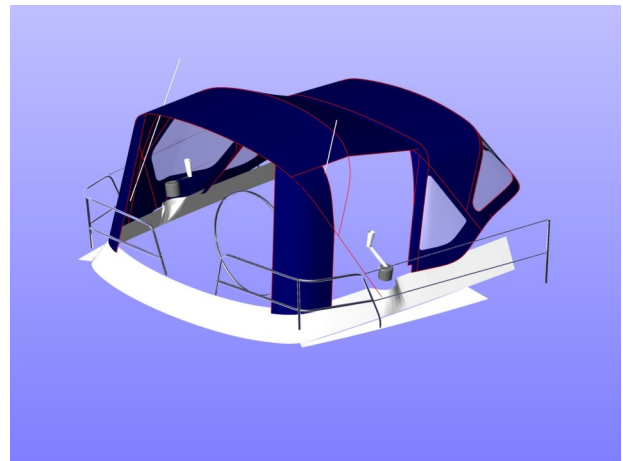
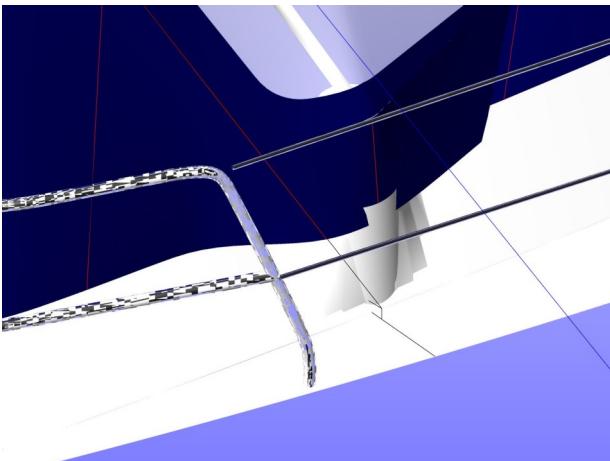
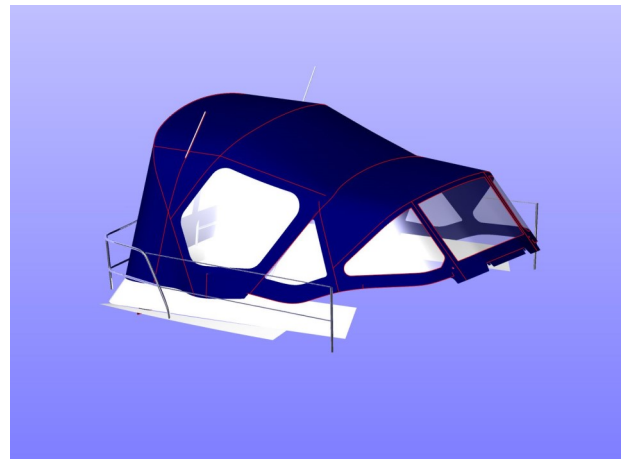
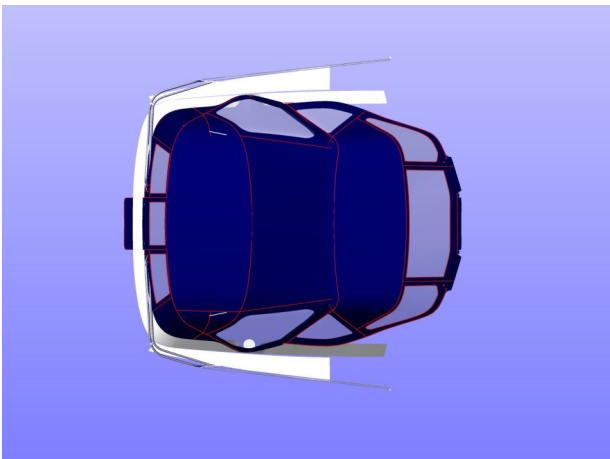
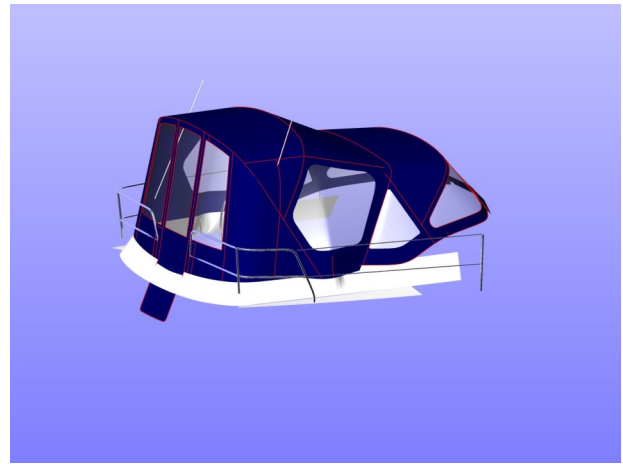
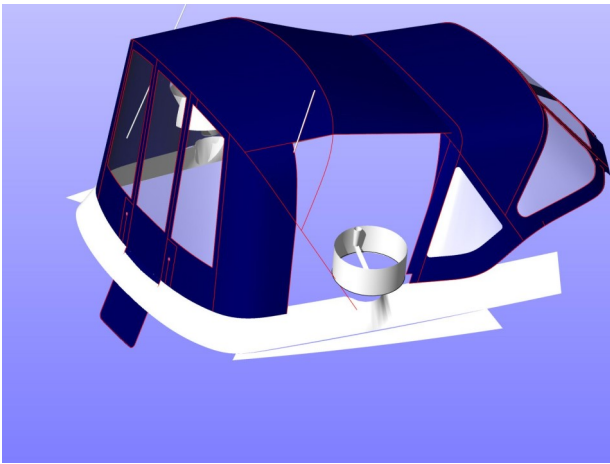
The heavy duty version merits 22mm, 316 marine grade stainless steel tube. This is supplied with solid cast/polished stainless steel, heavy duty frame fittings; all of which are quick release. Many designs come with the heavy duty framework as standard. We recommend the heavy duty option, due to the substantial strength of the tube and frame fittings.



Design

Tecsew has continued to invest in new technology to enhance the quality of the products we manufacture and supply.

CAD is fully utilised in the design and production of canopy frameworks and the Sprayhood canvas and technology is used at every stage where we can see an added benefit.





What extras are included in the price?

The specification of the Tecsew [Cockpit Enclosure](#) includes many features in the standard design which are already included in the price, and are not classed as optional extras. You may find that this is not the case with some of our competitors.

These include:

- ◇ [Sunbrella Plus](#) fabric as standard, unless we have to colour match existing work.
- ◇ Acrylic edge bindings which do not degrade like vinyl.
- ◇ Roll up sides and back door panel.
- ◇ Extra windows in the side panels and back door as standard.
- ◇ Fully zipped to the [Sprayhood](#).
- ◇ Zip pockets which will allow the cover to be removed with ease.
- ◇ Top quality YKK coil zips which can be colour matched to your canopy, in most cases (dependent on exact colour choice).
- ◇ Removable frame leg sections: The leg sections of the frame are split from the top hoop sections, and secured with quick release feet where possible, to facilitate removal.
- ◇ Zipped stowage valise: This product covers/protects the enclosure canvas whilst it is stowed on the framework, or when zipped off and stored separately.
- ◇ The measuring and fitting of your Cockpit Enclosure on the South Coast between Chichester and Lymington.

Do you need something special?

Tecsew are always willing to discuss manufacturing one-off designs or special requirements, so please [contact the office](#) for more details to speak to our skilled staff.

Tecsew pride themselves on listening to the requirements of the sailing community by providing quality products manufactured to the highest standard, and fitted by experienced staff. We are thoroughly committed to ongoing quality, and will only offer the highest standard in design, material, manufacture and fitting.

[Cockpit Enclosures](#) featured may show certain optional extras.

Cockpit Enclosure Optional Extras

What optional extras are available?

- ◇ Extra windows in strong UV stabilised clear PVC can be added to the corner pillars. This allows maximum visibility and light when sailing your vessel.
- ◇ Removable side and back panels, in lieu of roll up sides (at extra cost).



- ◇ Low profile deck frame mounting feet, only suitable for applications where foot is mounted horizontal, not side mount applications.
- ◇ **Frame support struts** can be used to support the framework clear of the backstays, or in a convenient position when stowed.
- ◇ Split top frame sections on the centreline, in addition to the splits on the leg sections (which are standard) to help facilitate easy stowage if frame is to be dismantled.
- ◇ Stowage bags: If you wish to store your cover and framework (separately) away for protection when sailing, then stowage bags are available for both. These are manufactured in colour coordinating canvas with webbing carrying straps.
- ◇ Window covers are available in canvas to help protect the windows from UV deterioration on your hood when moored. They can be fitted internally for privacy, but also to the outside of the Cockpit Enclosure, and are easily affixed removeable.



Tecsew Limited
Unit E3 Eagle Building
Daedalus Park
Daedalus Drive
Lee-on-the-Solent
Hampshire PO13 9FX

T: 02392 556548 M: 07790 362406 E: sales@tecsew.com W: www.tecsew.com

Registered in England 4618311 VAT No: 503 6447 64