

BOXIN PRESSES 博信机械



H Frame Single Crank Power Presses - Model H1

Raybould Machine Tools Ltd

web: www.raybould.com e-mail: slr@raybould.com

tel: 01384 565997

THE BOXIN H1 RANGE



The Boxin H1 range are a robust mono block construction power press with stress-relieved welded steel frames and a heavy duty drive gear that runs in a self-contained oil bath thus reducing wear. The crankshafts are manufactured from a forging that is machined and ground rated at 150% overload to provide a higher energy rating.

The H1 design is such that the straight sided frame reduces angular deflection and adds both strength and extra rigidity. Together with a cast slide body featuring 6-point full length machined guides providing outstanding position repeat-ability allowing for a longer tool life.

The OMPI Hi Torque low noise combination dry clutch & brake operates in conjunction with a Ross dual safety solenoid valve together with a Mitsubishi plc control, PILZ safety monitoring and user friendly touchscreen operator HMI.

With hydraulic overload protection, variable speed drive, automatic lubrication systems and a centralised maintenance centre built into the main operator panel the H1 is a highly versatile and productive range of power presses.

STANDARD FEATURES



CE Approved

Robust mono-block fabricated steel frame
H frame construction to add extra rigidity to reduce angular deflection

Frames are stress relieved after welding

Drive gears run in self-contained oil bath

Forged & machined crankshafts are rated for 150% capacity

Motorised slide adjustment with die height readout

Adjustable six-point full length machined slide guides

T-Slotted bolster & slide for die clamping

Inverter variable speed drive

Ross DM Series dual safety solenoid valve

Hi Torque low noise OMPI combination dry clutch & brake (Wet clutch available as an option)

Mitsubishi PLC Control with HMI

PILZ safety monitoring

Rotary encoder with spare channels

Brake monitor

User friendly operator controls

Pendant or Floor mounted main operator panel

Additional Space in the MOP

Mobile T-Stand twin push button operator station

Automatic lubrication system

Hydraulic Overload Protection System (H.O.L.P.)

Air balanced slide

Adjustable safety die block electrically interlocked

Flywheel brake for quick stopping of the flywheel allowing safe and quick entry to the tool area

Automatic lubrication system

Electrically monitored lubrication distribution blocks

Bijur automatic air-counter balance oiling system

Air ejector

Air receptacle

Air pressure switch monitored at control

Air counter balance cylinders for upper die weight

Pre-cut counter

Pre-set counter

Die light

Anti vibration press mounts

BUILD QUALITY

BUILT TO JIS1 STANDARD



**MONOBLOCK
FRAME**



**FORGED,
MACHINED &
GROUND
CRANKSHAFT**



**HYDRAULIC
OVERLOAD
PROTECTION**



**IN-HOUSE
MACHINING**

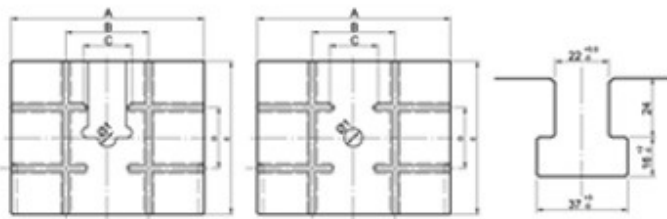
Every Boxin Press is built to meet or exceed JIS 1st Class standards. JIS 1st Class represents the most exacting and demanding industrial manufacturing standard in the world. Machines that meet these strict guidelines must pass a rigorous inspection with hundreds of designated benchmarks for materials and operation. The adherence to JIS 1st Class represents a commitment to building the best metal forming presses in the world; constantly seeking new ways in the development of ever higher standards of reliability and quality.

H1 SPECIFICATION

AVAILABLE FROM 80 TO 315 TONS

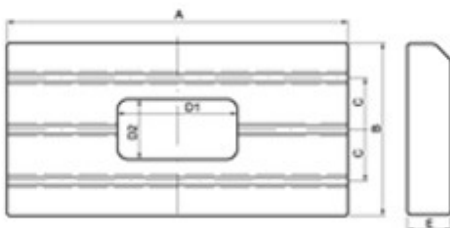
机型 Machine type	H1-80		H1-110		H1-160		H1-200		H1-260		H1-315	
型式 Model	v	H	v	H	v	H	v	H	v	H	v	H
工程压力 Capacity Tons	80		110		160		200		260		315	
能力发生点 Rated tonnage pointmm	4	2	6	3	6	3	6	3	7	3.5	7	3.5
行程数	连续 ContinuousSPM		60-30 90-60		50-20 70-40		50-20 70-50		40-20 50-40		40-20 50-40	
Stroke Per Minute	断续 IntermittentSPM		30		25		20		20		20	
行程 Stroke Length mm	150	70	180	80	200	90	200	100	200	100	250	150
最大模高 Die height(S,D,A,U) mm	330	370	340	390	440	490	440	490	440	490	500	550
滑块调整量 Slide adjustment mm	80		80		100		110		110		120	
台盘有效面积 Bolster area(LR x FB) mm	740 x 550		880 x 600		960 x 800		1120 x 820		1120 x 820		1200 x 900	
滑块面积 Slide area(LR x FB) mm	560 x 420		650 x 470		700 x 550		850 x 630		850 x 630		900 x 700	
主电动机 Main motor kw x P	5.5 x 4		11 x 4		11 x 4		15 x 4		18.5 x 4		22.5 x 4	
模垫能力 Die cushion capacity	SA-3.6		SA-6.3		SA-10		SA-14		SA-14		SA-14	
精度 Precision	GB(JIS)1级		GB(JIS)1级		GB(JIS)1级		GB(JIS)1级		GB(JIS)1级		GB(JIS)1级	
机器(长x宽x高) Machine dimension LxWxH	1810 x 1110 x 3000		1955 x 1280 x 3200		2400 x 1390 x 3700		2700 x 1570 x 4100		2700 x 1680 x 4100		2760 x 2100 x 4500	
机器重量 Machine WeightTons	6.8		10.2		17.1		23		27		33.5	

滑块板 SLIDE PLATE



	A	B	C	D	E	Ø1
H1-80	560	300	220	180	420	50
H1-110	650	300	220	220	470	50
H1-160	700	300	175	220	550	65
H1-200	850	420	200	300	630	65
H1-260	950	420	200	300	700	65
H1-315	1050	420	200	300	900	65

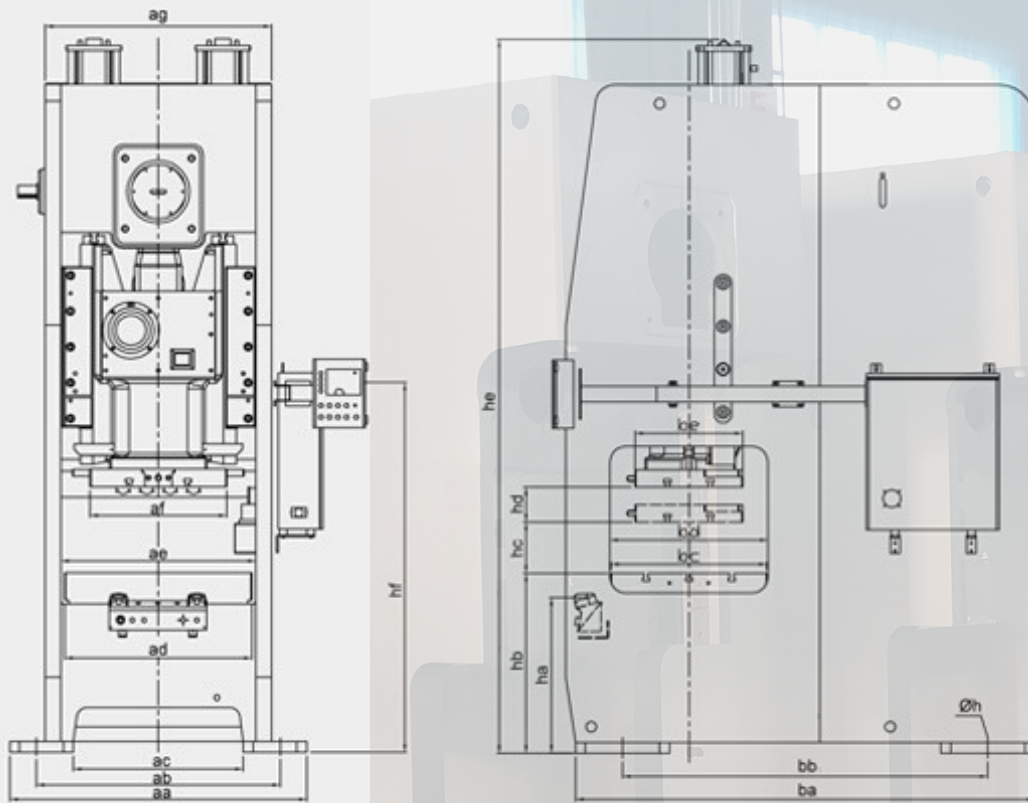
台盘 BOLSTER



	A	B	C	D1	D2	E
H1-80	740	550	150	360	150	100
H1-110	880	600	160	400	160	130
H1-160	960	800	220	440	220	160
H1-200	1120	820	280	480	240	180
H1-250	1120	820	280	480	240	180
H1-315	1200	900	290	520	260	190

DATA SHEETS

AVAILABLE FROM 80 TO 315 TONS



能力	H1-80		H1-110		H1-160		H1-200		H1-260		H1-315	
型式	V	H	V	H	V	H	V	H	V	H	V	H
aa	1210		1320		1520		1710		1730		1800	
ab	1040		1180		1340		1430		1480		1640	
ac	690		720		870		990		990		1062	
ad	740		880		960		1120		1120		1120	
ae	780		920		1000		1160		1160		1260	
af	560		650		700		850		950		850	
ag	880		1060		1160		1340		1360		1360	
ba	1770		1850		2350		2600		2585		2775	
bb	1540		1640		2000		2180		2215		2305	
bc	550		600		800		820		820		820	
bd	560		610		810		830		830		850	
be	420		470		550		630		700		630	
ha	750		760		797		880		930		804	
hb	830		850		920		1040		1080		1000	
hc	330	370	340	390	440	490	440	490	440	490	440	490
hd	150	70	180	80	200	90	200	90	200	100	220	120
he		2952		3205		3655		4065		4107		4316
hf		1750		1747		1895		1910		1795		1763
Øh		28		35		35		44		44		44

NINGBO BOXIN MACHINERY CO LTD



NingBo Boxin Presses offers a comprehensive range of mechanical presses from 10 tons to 1800 tons capacity:

- C Frame Open Fronted Single Crank Presses 10 to 340 tons
- Semi Closed H Frame Double Sided Presses 80 to 315 tons
- C Frame Open Fronted Double Crank Presses 110 to 250 tons
 - Straight Sided Single Crank Presses 200 to 600 tons
 - Straight Sided Double Crank Presses 110 to 600 tons
- Straight Sided Double Crank Power Presses 300 to 1800 tons
 - Straight Sided Eccentric Gear Presses 400 to 1800 tons

NingBo Boxin Machinery Co. Ltd is a Hong Kong owned enterprise specialised in the manufacture of high precision presses since 2006. Their manufacturing facility is located near the beautiful port of Beilun Ningbo, China

Boxin utilise the latest technology and advanced design and are a leading manufacturer and supplier of innovative, CE approved, high quality and cost effective power presses

BOXIN PRESSES



Boxin build on average 100 presses per month ensuring a continual supply and machines on short delivery timescales.

In 2012 Boxin commenced cooperation with an established leading American power press manufacturer. This collaboration has assisted Boxin with numerous ideas regarding design, accuracy standards, quality and safety. With the support of the American manufacturer Boxin has achieved 40 patents which have led to exports to the areas of Europe and North America.

Some of their major customers are TOYOTA, PANASONIC, CHNT, MAZDA, AUX, GEELY, BYD and MIDEA.

Boxin strives to continually improve their range of machines with the latest concepts, service and world-class facilities for manufacturing the highest quality machines.

ANY QUESTIONS?

TEL: 01384 565997
MAIL: SLR@RAYBOULD.COM

RAYBOULD MACHINE TOOLS LTD
MACARTHUR ROAD
CRADLEY HEATH
WEST MIDLANDS
B64 7RP
ENGLAND
WWW.RAYBOULD.COM

