

THE
ALL-NEW!
REDESIGN
2020

OUR INTELLIGENT SOLUTIONS
OFFER INDEPENDENCE
COMBINED WITH COMFORT

INVALIDLIFTS



WORKING IN PARTNERSHIP WITH
ascendor[®]
LIFTECHNIK



BARRIER FREE WORLD FOR GENERATIONS



PLATFORMSTAIRLIFTS

The elegant solution to remove your barriers.

Our high degree of planning flexibility and uncompromising service quality ensures the installation, use and after sales support of our modern stair-lift systems is easy. The use of electronic and mechanical components that far exceeds the standards legally required, guarantee the long-term reliability of our products.



PLATFORM STAIRLIFT

FORM AND FUNCTION
IN HARMONY

YOUR MOBILITY IS OUR GREATEST PRIORITY!

IMPROVING YOUR
INDEPENDENCE IS
OUR GOAL.



Space saving design

A compact design is one of our guiding principles. The slim form of our lifts combined with a folding platform ensures your staircase remains free of obstructions.

Practical handrail

The lift is guided along two parallel rails by a set of rollers. The lower rail, equipped with teeth is intended for the rack and pinion drive. This allows unimpeded access to the upper rail, which can be put to good use as a handrail.

Comfortable operation

The smooth start and stop performance ensure that travel is a pleasant experience; our lifts are low-maintenance and their reliability has been proven in everyday life. The operation of the lift is completely battery-operated; the batteries are recharged at the final stations. The lift will automatically switch off after a period of time without use in order to prevent a deep discharge occurring if it has not been properly parked.

The modern touch sensitive membrane controls ensure that even people with reduced physical abilities and motor skills can operate our lifts.



INVALIDIFTS



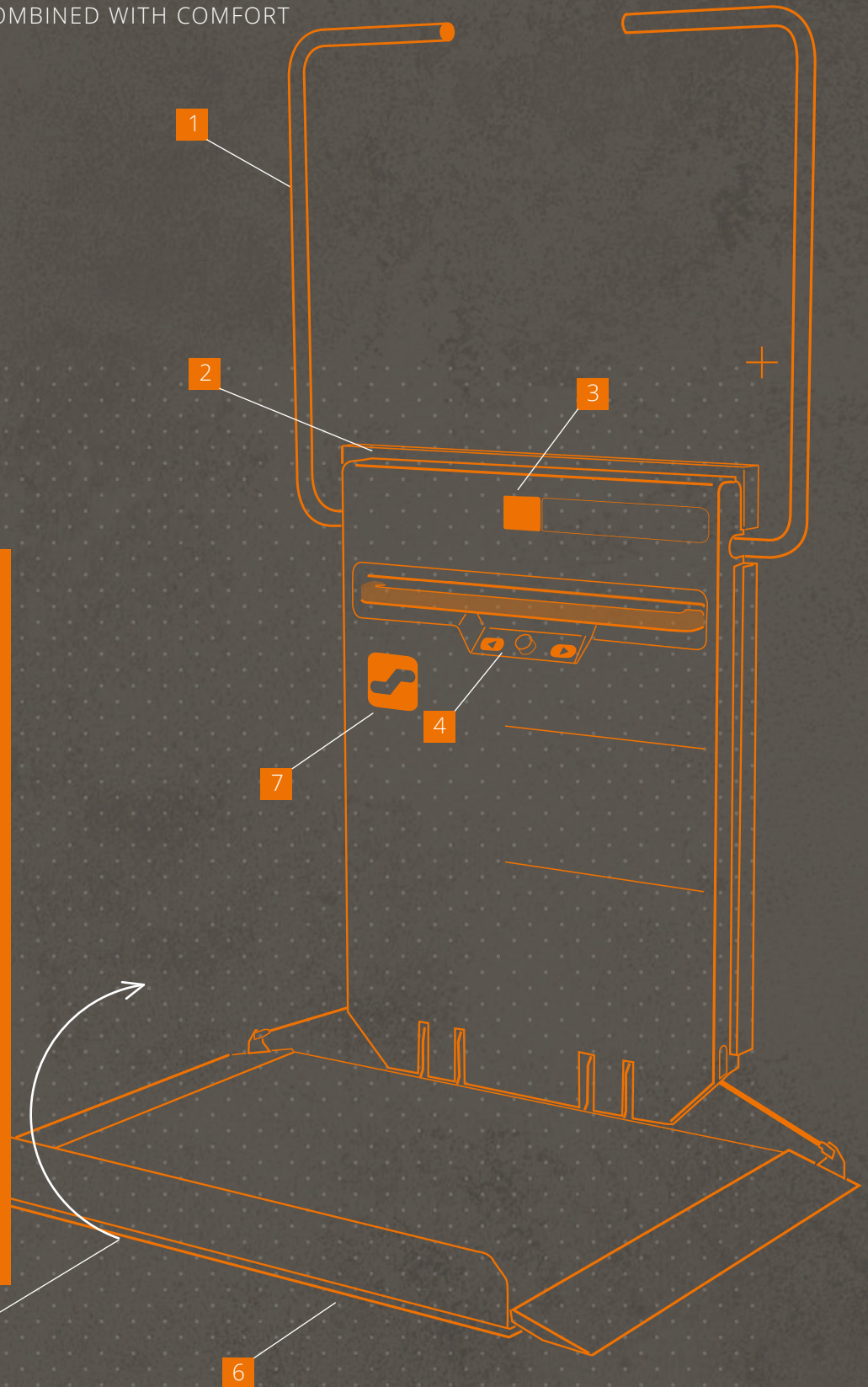
+

PLATFORMSTAIRLIFTS
OUR INTELLIGENT SOLUTIONS
OFFER INDEPENDENCE
COMBINED WITH COMFORT

+

PRODUCT HIGHLIGHTS

1. **Safety bars:** your well-being is our top priority
2. **Coloured LED lighting:** to further, improve integration into your building
3. **Graphic display:** keeps you fully informed regarding the actual operational status
4. Simple, straightforward operation thanks to **sensitive membrane button controls**.
5. The **electrically operated folding platform** provides maximum comfort with a minimum of obstruction.
6. **Platform underside:** can be freely customised with individual colours and designs or company logos and corporate identity. (Optional cost)
7. **Speech output module:** offers additional clarity and information (Optional cost)





7 The integrated handrail blends harmoniously into the lift and has allowed us to produce a particularly slim design.

Choose a colour for the indirect, wraparound LED lighting, improves the individual adaptation into existing surroundings.



2



5



3

The graphic display panel will keep you up-to-date regarding the operating status of your lift and gives practical information and advice.





ENJOY LIFE TO THE FULLEST

Your mobility and independence

We constantly strive to produce the perfect solution to the challenge presented by your personal situation. This goal focuses our efforts and we will not cease in our endeavours until we have managed to find solutions, which will improve your mobility and freedom. To achieve this objective, we are continually prepared to rediscover our own creativity.



+ YOUR OWN + PERSONAL MOTIF.

UNIQUE
DESIGNS

FOR YOUR PLATFORM STAIRLIFT

INDIVIDUAL PLATFORM CUSTOMISATION

Select one of our design options or present us with your very own personal design, thereby transforming your lift into a work of art, which can blend harmoniously into its surroundings. Make your platform lift an extension of your own individuality.



WHATEVER YOU DESIRE

Original and amusing or classic and timeless.
Your personal motif creates an eye-catching lift!
Bestows a personal touch to each and every lift.



Choose from standard designs or allow us to decorate the lift to **suit your own personal taste.**

ACCESSORIES, CHOICES, OPTIONS

A | Lockable, secure wall mounted remote control
– ideal for outdoor installations or for use in public buildings.



C | Selection of finishes:
we can deliver your lift in elegant stainless steel or in every RAL colour available ensuring it blends harmoniously into your living space.

B | Portable handheld remote control with a push of the button you can summon the lift to the desired landing.



D | Optional folding seat will transform your platform lift into a chairlift – particularly useful for people with restricted mobility.

INSTALLATION EXAMPLES

Platform lifts for straight and curved staircases

Intermediate landings can be surmounted with a curved travel rail (Fig. 1) or by installing rails with elevation changes (Fig. 2). The travel rails can be mounted directly onto the walls or attached to steel stanchions (Fig. 2 & 3). Multi-level landings with parking places can be planned to suit individual requirements.

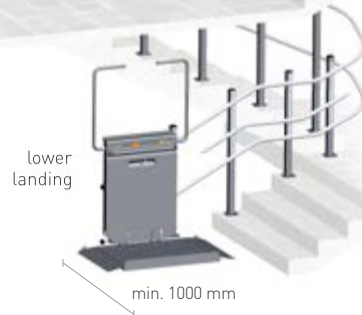
Fig. 1



min. 2010 mm

lower landing

min. 1000 mm



upper landing

Fig. 3

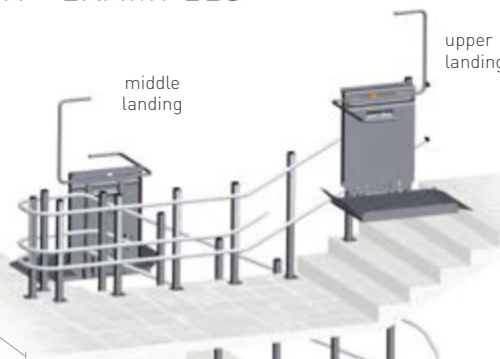
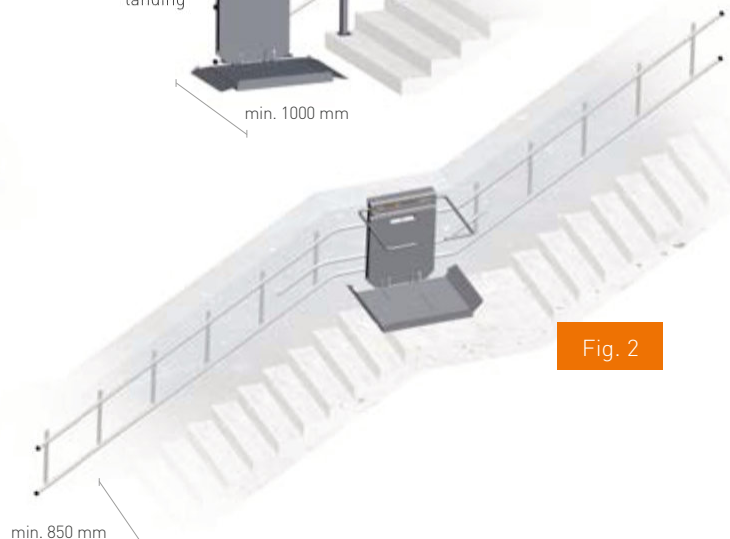


Fig. 2

min. 850 mm





INVALIDIFTS

6 Falcon Park, Claymore, Tame Valley Ind.Est.
Tamworth, Staffs B77 5DQ
Tel: 0845 468 2543
Email: sales@invalidifts.com