

# ASK

---

# WASHROOMS



**COMMERCIAL WASHROOM SPECIALIST**





# About ASK Washrooms

**ASK Washrooms is a commercial washroom company delivering a fresh approach to the market, bringing with them a team with over 20 years of experience specializing in this industry.**

Our aim is to provide a turnkey washroom solution for clients in various market sectors, working together with our customers to understand their individual requirements. We take a highly personal approach, assisting you through initial contact, survey, design, budget negotiations, manufacture, installation, handover and aftercare.

Each and every project has a designated project manager to assist our clientele throughout, making the process as comfortable as possible.

We strive to cement strong and lasting partnerships with many local and national contractors, providing a full 'Supply and Install' or 'Supply Only' service of all our products.



# ASK

---

## WASHROOMS

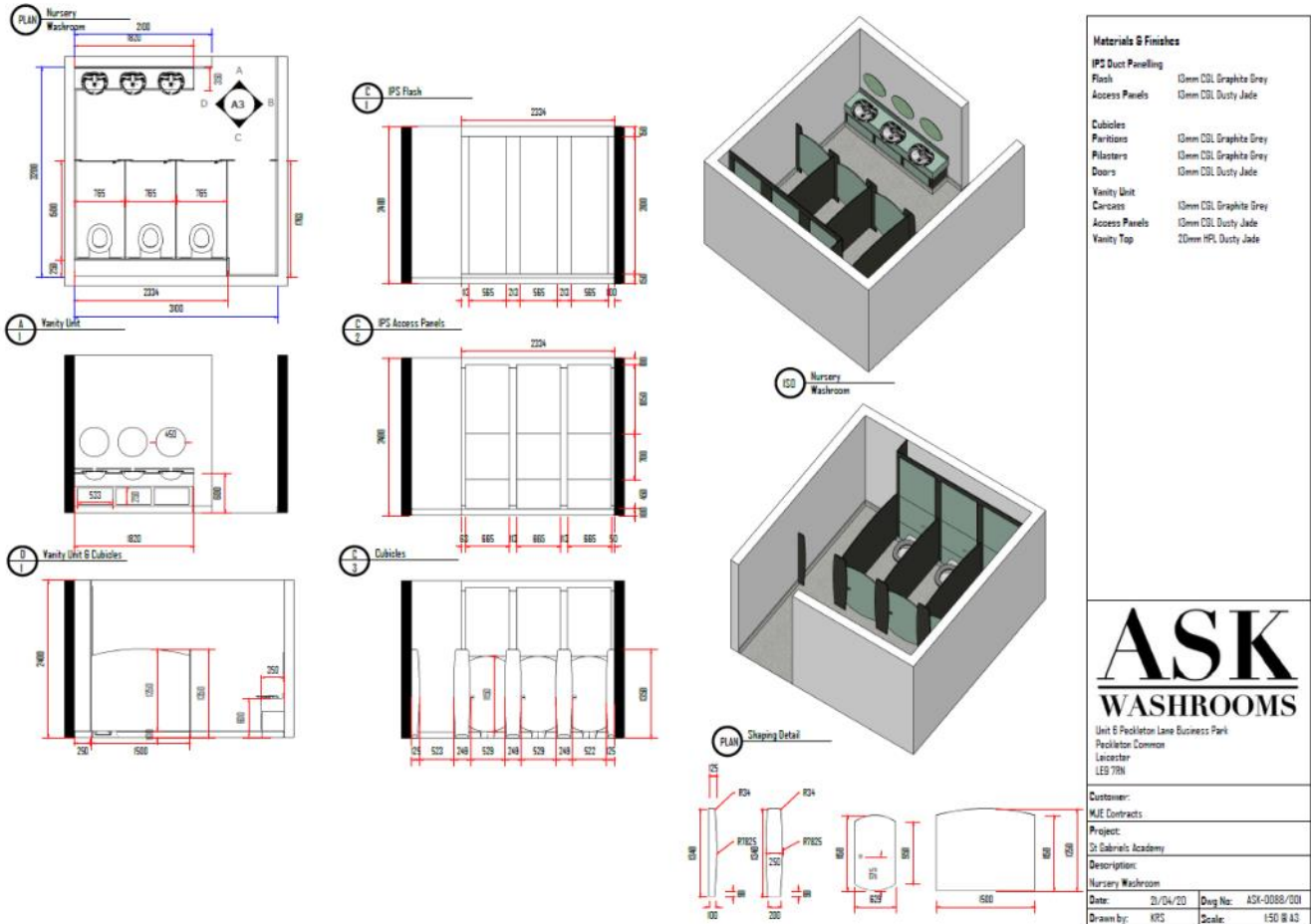
### CONTENTS

<b>05</b>	<b>Our Services</b>
<b>06-12</b>	<b>Cubicle Ranges</b>
<b>06</b>	Reality Range
<b>07</b>	Space Range
<b>08</b>	Infinity Range
<b>09</b>	Time Range
<b>10</b>	Soul Range
<b>11</b>	Mind Range
<b>12</b>	Power Range
<b>13</b>	<b>IPS Duct Panelling</b>
<b>14</b>	<b>Vanity Units</b>
<b>15</b>	<b>Lockers &amp; Benches</b>
<b>16</b>	<b>Sanitaryware &amp; Accessories</b>
<b>17</b>	<b>Healthcare</b>
<b>18</b>	<b>Delivery &amp; Performance</b>
<b>19</b>	<b>Contact Us / Notes</b>

# Our Services

## Consultation

Initial consultation is very important to us, we offer a free survey and during this site visit we will use this time to try and extract as much information about your individual business so that we can design a washroom that suits your clients, making it as suitable as possible for your particular environment.



## Design

When designing a washroom, we appreciate the level of detail required to fully understand the needs of not only the end user but also the environments our products will be installed into. During the design process we provide free rendered drawings/mood boards to give our clientele the opportunity to make any changes where they see fit whilst also offering them reassurance that they will be happy with the finished project before sign off.

## Installation

Our installers are familiar with the products, which ensures a high-quality finish but also a faster installation, minimizing our time on site. Each individual project will have a designated project manager who will ensure installation is completed on time and to specification whilst making sure all health and safety guidelines are followed. We are also happy to liaise and co-operate with other trades that may be on site simultaneously.

## Aftercare

Once we have completed a project, whether we are just supplying the products or installing ourselves, we provide maintenance manuals to assist the staff on site with on-going maintenance and cleaning procedures.

# Reality

Reality is our most popular cubicle range, known for its versatility, this flexible system is suitable for all facilities, sectors and end users.

As well as being visually stylish, Reality is a robust, durable and most importantly, reliable.



## Specification

### Materials

MFC

HPL

CGL

### Pilasters

To match cubicle specification

### Ironmongery

Satin Anodised Aluminium

Powder Coated

Stainless Steel

### Heights

Standard Panel Height 1800mm

Standard Floor Clearance 150mm

Bespoke heights available up to 2700mm

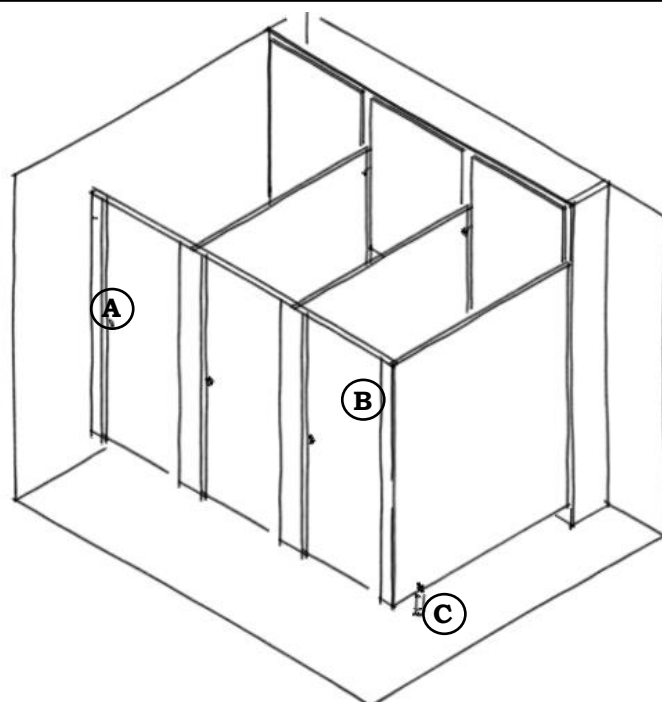
### A Indicator Bolt



### B Hinges



### C Leg



# Space

Space is one of our most sophisticated cubicle ranges. Ideal for environments such as bars, restaurants and hotel washrooms to really “wow” clientele.

Space is a range we would be proud to install into even the most prestigious of venues.



## Specification

### Materials

MFC  
HPL  
CGL

### Pilasters

Curved Aluminium Pilaster

### Ironmongery

Satin Anodised Aluminium  
Powder Coated

### Heights

Standard Panel Height 1800mm  
Standard Floor Clearance 150mm  
Bespoke heights available up to 2600mm

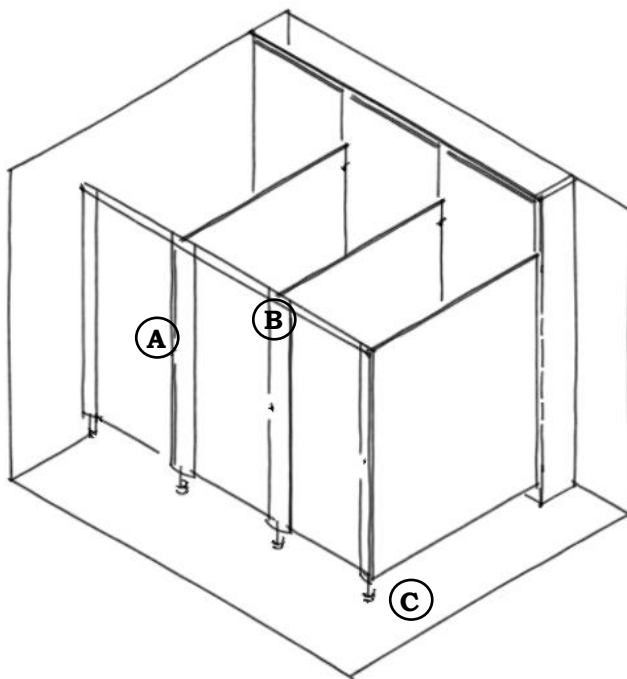
**A Indicator Bolt**



**B Pilaster**



**C Leg**



# Infinity

Our Infinity range is suitable for any commercial washroom, durable enough for warehouses and industrial units, whilst stylish enough to go into offices and hotels.

The flat faced pilasters are made from extruded aluminium and not only add to the strength of the system, but also the finish.



## Specification

### Materials

MFC

HPL

CGL

### Pilasters

Flat Faced Aluminium Pilaster

### Ironmongery

Satin Anodised Aluminium

Powder Coated

### Heights

Standard Height 1800mm

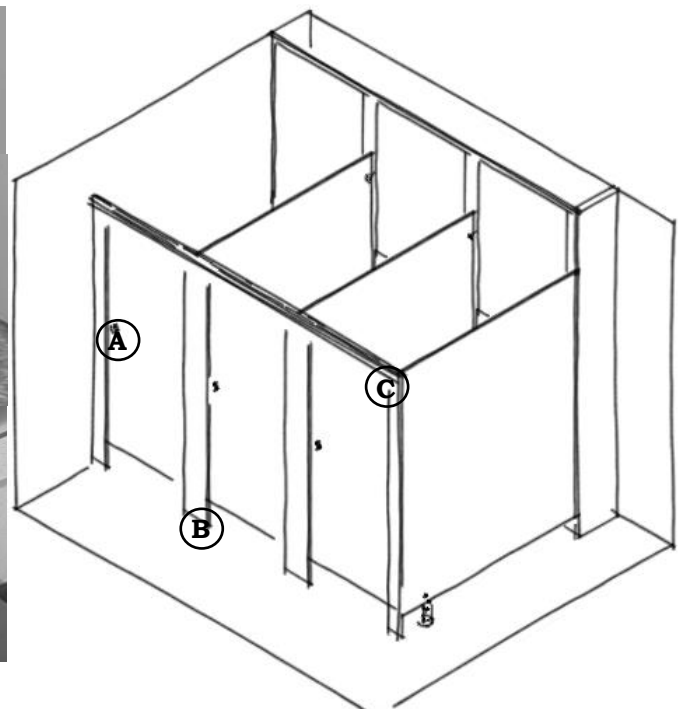
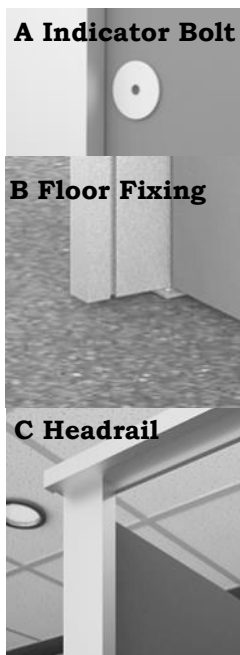
Standard Floor Clearance 150mm

Bespoke heights available up to 2700mm

**A Indicator Bolt**

**B Floor Fixing**

**C Headrail**





# Time

Time offers a flush fronted cubicle system resulting in arguably our most visually pleasing cubicle range.

With stainless steel ironmongery and a wide range of flawless finishes, Time is a system that can stand out in any environment.



## Specification

### Materials

HPL  
CGL  
Real Wood Vener

### Pilasters

Rebated—to match cubicle specification

### Ironmongery

Stainless Steel

### Heights

Standard height 2000mm  
Standard Floor Clearance 20mm  
Bespoke heights available upto 3000mm

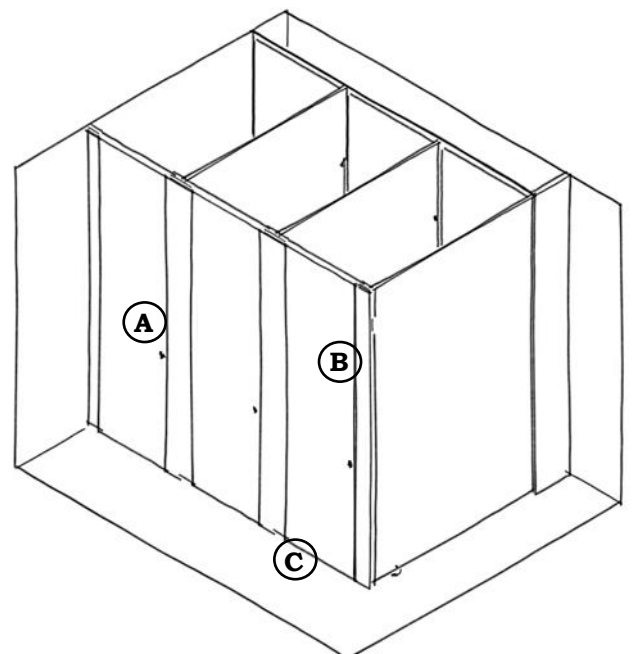
### A Indicator Bolt



### B Hinges



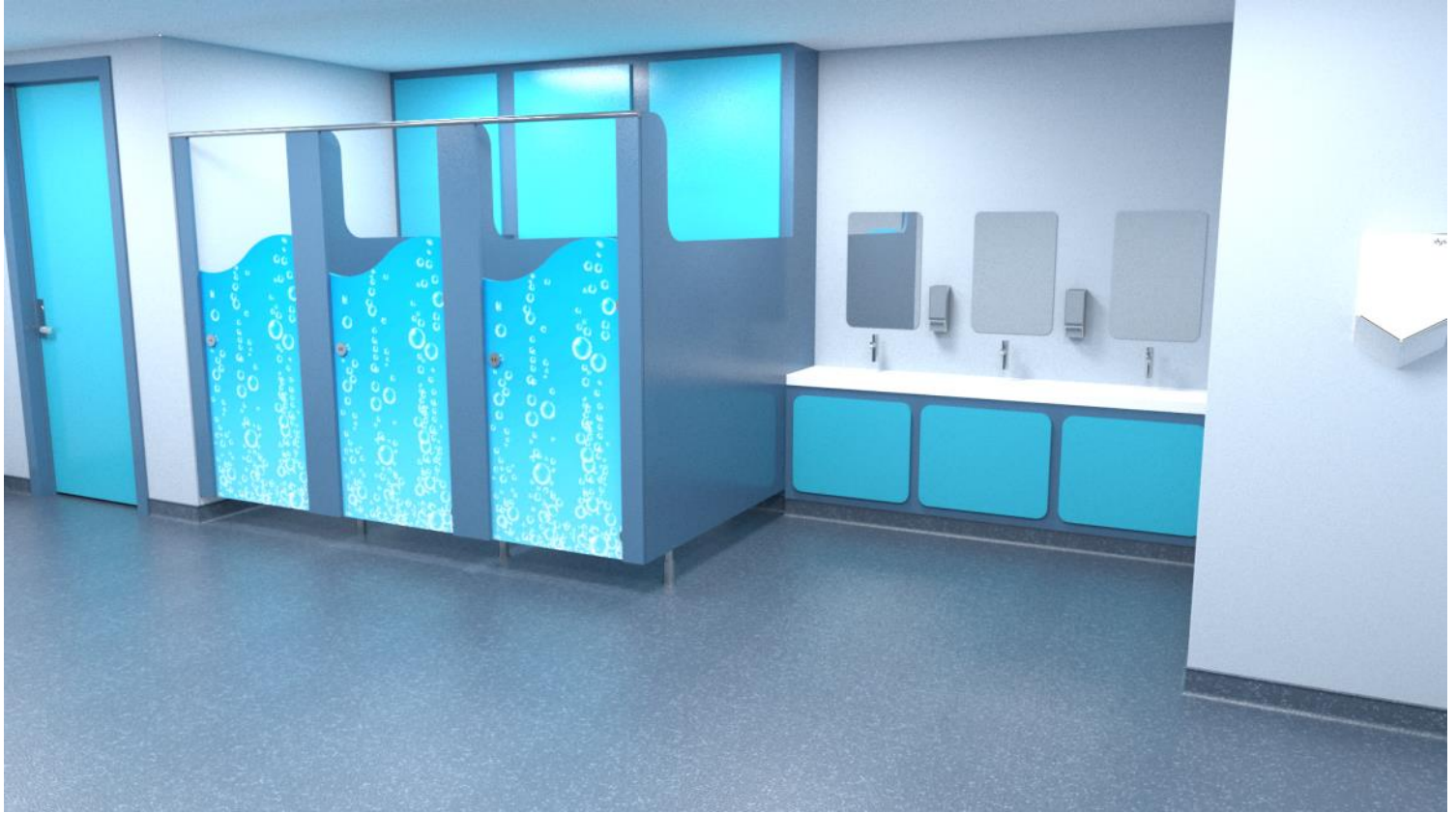
### C Leg



# Soul

Soul is part of our children's cubicle range. A framed cubicle system with half height doors to assist adult supervision and full height pilasters and partitions for increased privacy between pupils.

This robust system is most suited for primary school washrooms.



## Specification

### Materials

MFC

HPL

CGL

### Pilasters

To match cubicle specification

### Ironmongery

Satin Anodised Aluminium

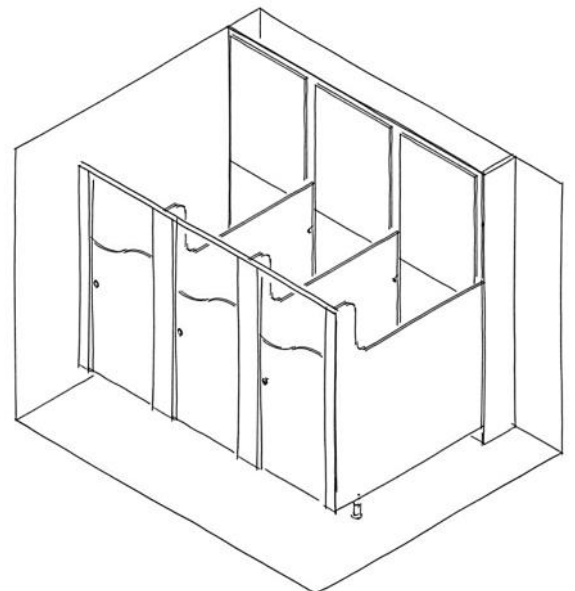
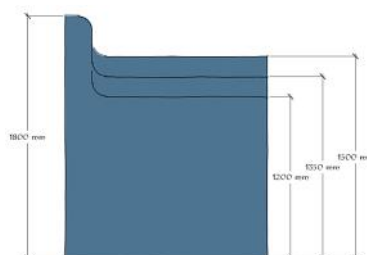
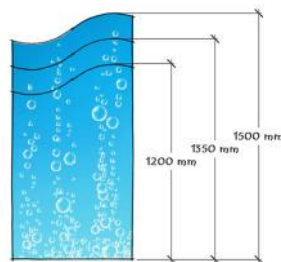
Powder Coated

### Heights

Standard height 1800mm

Door heights varies depending on age group

Partition height varies depending on age group



# Mind

As one of our children's cubicle ranges, Mind offers a frameless half height system ideal for nurseries and small primary school children.

With half height doors, low level curved pilasters and partitions, this child friendly range not only assists staff with adult supervision but also makes a washroom a welcoming environment for young children.



## Specification

### Materials

MFC

HPL

CGL

### Pilasters

Shaped—To match cubicle specification

### Ironmongery

Satin Anodised Aluminium

Powder Coated

### Heights

Standard height 1300mm

Standard Floor Clearance 100mm

Door height 1200mm

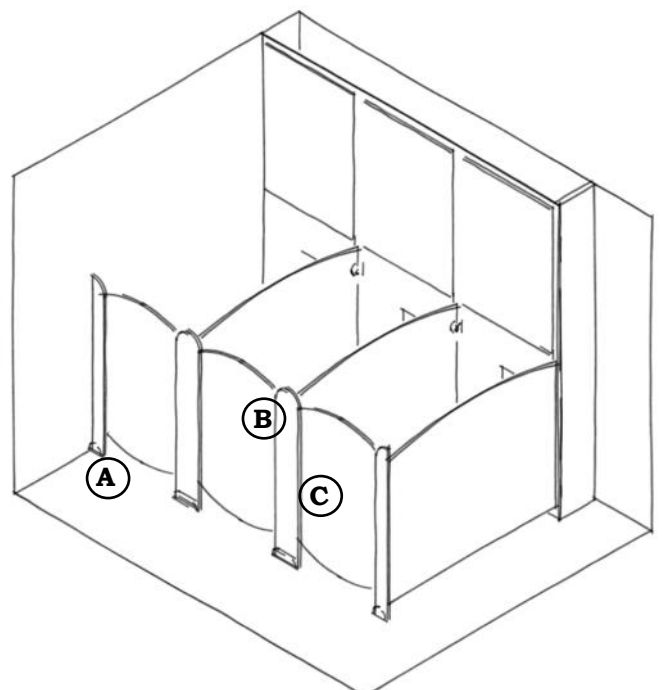
### A Indicator Bolt



### B Hinges



### C Pilaster Shoe



# Power

Our Power cubicle range is tailor made for office environments, an extremely robust system but not at the expense of its style.

With its stand out feature being thick pilasters that go all the way to the floor into stainless steel pilaster shoes, Power adds quality and practicality to any working wash area.



## Specification

### Materials

MFC

HPL

CGL

### Pilasters

Floor Fixed – to match cubicle specification

### Ironmongery

Stainless Steel

Powder Coated

### Heights

Standard height 1800mm

Standard Floor Clearance 150mm

Bespoke heights available

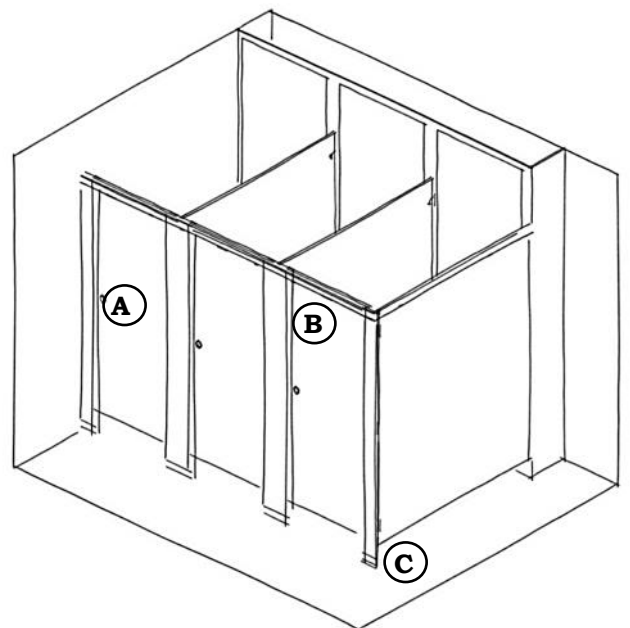
### A Indicator Bolt



### B Hinges



### C Pilaster Shoe



# IPS Duct Panelling

Our IPS Duct Panelling system is a flexible and practical solution for any washroom. Not only does it conceal pipework and services, but also enhances the washrooms look and finish. For ease of access our IPS Duct Panels are mounted on concealed “push fit” or “lift off” keku clips. Alternatively, for added security and storage we can incorporate concealed hinges & locks to our IPS Access Panels. Available in all material options, IPS Duct Panelling is tailor made to site requirements and dimensions.



## Specification

### Materials

- MFC
- HPL
- CGL
- Real Wood Veneers
- Glass

### Configurations

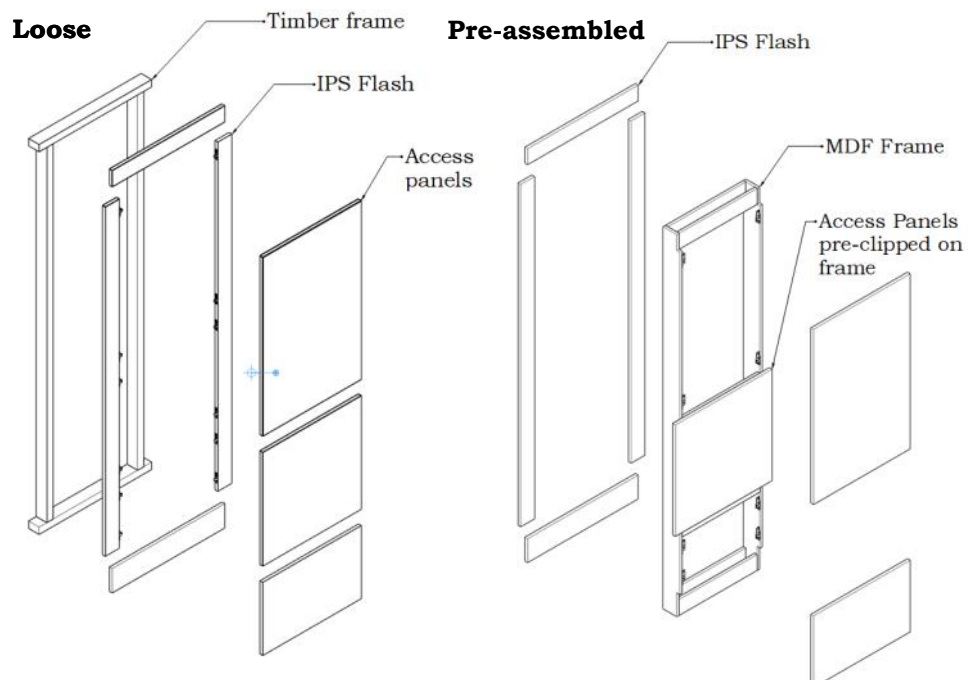
- Loose Panels for site assembly
- Pre-assembled on MDF or metal frame
- Pre-plumbed

### Options

- Concealed clips
- Concealed hinges & locks

### Heights

- Full Height
- Half Height
- Bespoke Heights available



# Vanity Units

Our diverse range of vanity solutions ensures that we can offer a truly creative solution. They can be configured to suit your specific environment and requirements. We work in High Pressure Laminate, Compact Grade Laminate, Solid Surface materials such as 'Corian', Hi-Macs or Staron. If you are looking for a truly luxurious feel we can provide vanity solutions using granite or quartz. We offer vanity units manufactured from High Pressure Laminate formed on 18mm MR MDF as our most economical and easy to maintain option. In a busy working environment Solid Grade Laminate Vanity Units are our recommended option due to its resistance to water and vandalism. Solid Surface is a highly durable and stylish alternative, manufactured to provide a seamless stone like appearance which adds a luxurious element to any washroom.



## Specification

### Materials

HPL  
CGL  
Solid Surface  
Granite

### Heights

Adult 800mm  
Junior 750mm  
Infant 675mm  
Nursery 600mm

### Options

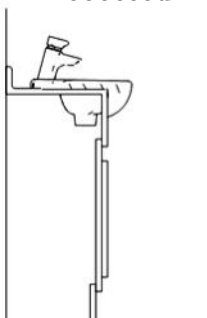
Access Panels mounted on concealed clips as standard  
Optional hinged and lockable access panels  
Optional storage within vanity unit carcass

### Configurations

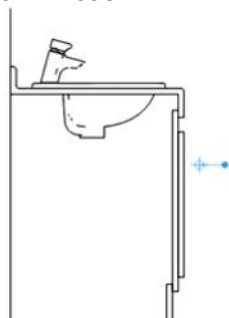
To accommodate semi-recessed basins  
To accommodate full inset, under or surface mounted basins  
Integral basins when using our solid surface tops  
Solid Surface or Stainless Steel wash troughs  
Available with upstands, downstands or simply flat top

## Configurations

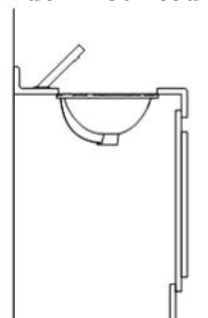
**Semi- Recessed**



**Full Inset**



**Under Mounted**



**Counter Mounted**



# Lockers & Benching

Our extensive range of lockers and benching is perfect for locker rooms, changing rooms and shower areas. It is designed to complement the design of your washroom refurbishment or fit out. Our lockers and benches can be used in changing facilities across many sectors, such as leisure, healthcare, education and commercial.



## Lockers

We can offer a versatile selection of lockers to suit your budget and requirements.

Our all metal lockers are perfect for use in internal locations, offering a robust personal storage solution at a competitive price.

Our CGL lockers offer a robust solution with wide selection of colours to compliment your interior design.

### Materials

All Metal – Anti Bacterial Powder Coated

CGL Door \ Powder Coated Carcass

All CGL

MFC

HPL

### Configurations:

From 1 tier to 6 tiers door configurations

Z Door Configuration

### Lock Options:

Cam Lock

Padlock Fitting

Coin Operated Locks

Digital Combination Lock

## Bench Seating

Our bench seating is designed for strength, flexibility and safety. Made to measure, with a wide choice of styles and configurations, our benching is an ideal addition to any changing room refurbishment or fit out. All our benches come with plastic hooks available in 4 sizes and 20 different colours. The unique design makes them both safer than metal hooks and completely unbreakable.

We also offer bespoke bench seating service offering number of materials, such as solid surface, to suit your needs. Please contact our design department for further assistance.

Bench Frame manufactured from 40 x 25mm powder coated steel

### Bench Slats:

Hardwood timber (ash, beech or oak)

CGL

### Configurations:

Wall Mounted

Single Island

Double Island

Locker Bench

### Options:

Shoe rack

Shelf-over



# Sanitaryware & Accessories

When it comes to the finishing elements of any washroom the choices you make regarding the sanitaryware and accessories are not to be overlooked, ASK Washrooms like to offer ranges that suit any budget as well as varying tastes incorporating the most innovative of ideas along the way.



## Sanitaryware

When it comes to the finishing elements of any washroom the choices you make regarding the sanitaryware and accessories are not to be overlooked , Ask Washrooms like to offer ranges that suit any budget as well as varying tastes incorporating the most innovative of ideas along the way.



## Accessories

Correctly chosen Washroom accessories are a perfect way to enhance the finished look of refurbished washroom. From top of the range hand dryer to practical fold down shower seat to meet regulations, Ask Washrooms can offer products to complement the design and meet budget requirements, enabling us to provide a truly complete washroom solution.

- Hand Dryers
- Toilet Roll Dispensers
- Soap Dispensers
- Paper Towel Dispensers
- Mirrors
- Bins
- Radiators
- Signage
- Grab Rails





# Healthcare

Our pre-assembled Clinical IPS units not only conceal “unsightly” pipework to provide a smart finish, they also assist with maintenance as they are easily accessible and even easier to clean. As hygiene is vital to all Healthcare institutions, our Clinical IPS units are ideal for helping staff maintain the highest of standards with regards to cleanliness. These units are also very quick and easy to install, helping us work with hospitals, practices and contractors ensuring that there is as little “down time” as possible.



## Specification

### Materials

MFC  
HPL  
CGL  
UPVC

### Configurations

Square edge MFC, HPL or CGL  
Postformed HPL carcass, plant on or hinged panels  
Postformed CGL carcass, flush hinged panels  
Thermoformed UPVC with hinged panels

### Options

Access Panels mounted on concealed clips  
Access Panels hinged & lockable  
Basin pre-plumbed to unit, sealed  
Tap pre-plumbed to unit, copper tails with isolation valves



# Delivery & Performance

## Delivery

At Ask Washrooms, we are committed to ensuring your order is delivered on time, in full and in perfect conditions.

You will receive drawings for approval prior to manufacturing. All panels are manufactured to your specific site dimensions.

## Performance

### MFC — Melamine Faced Chipboard

High Performance Melamine Faced Chipboard 630kg/m<sup>3</sup> density, moisture resistant and suitable for dry environments with light to medium use. Panels supplied either square edged complete with 2mm PVC lipping.

### HPL — High Pressure Laminate

High Pressure Laminate bonded onto 630/m<sup>3</sup> density moisture resistant chipboard and suitable for dry environments with medium use. Panels supplied either square edged or postformed vertical edges complete with 2mm PVC lipping.

### CGL / SGL — Compact / Solid Grade Laminate

Compact Grade Laminate (also know as Solid Grade Laminate) is a high density, 1400kg/m<sup>3</sup> water proof panel suitable for the most extreme/demanding of environments. Panels supplied with radiused black edges.

### Real Wood Veneer

MDF core faced with real wood veneer, suitable for dry environments with light to medium use. Panels supplied square edged with 3mm real wood veneer lipping.

### Vanity Units

Vanity Units can have a wide range of materials for their tops, varying from High Pressure Laminate, Compact Grade Laminate and Solid Surface.

### Solid Surface

Solid surface is manufactured from an advanced composition of minerals and acrylic polymer and delivers a completely seamless finish to vanity tops as well as being exceptionally hard wearing. Should disaster strike and the top does receive damage, this material is also very repairable.

# Notes:

## Contact Us

Unit 6, Peckleton Lane Business Park  
Peckleton Common  
Leicester  
LE9 7RN

Telephone: 0116 326 7071  
Email: [info@askwashrooms.co.uk](mailto:info@askwashrooms.co.uk)  
Website: [www.askwashrooms.co.uk](http://www.askwashrooms.co.uk)

Follow us

**@ASKWashrooms**



# ASK

---

# WASHROOMS



# ASK

---

# WASHROOMS

UNIT 6 PECKLETON LANE BUSINESS PARK  
PECKLETON COMMON  
LEICESTER  
LE9 7RN

TEL: 0116 326 7071  
WEB: [WWW.ASKWASHROOMS.CO.UK](http://WWW.ASKWASHROOMS.CO.UK)



Accredited Contractor  
[CHAS.co.uk](http://CHAS.co.uk)