



EBP Series Extrusion Burst Plugs

Features

- Each EBP assembly consists of a threaded tubular body with a rupture disk welded onto the process end
- The EBP assembly is mounted directly into the extruder equipment through a pressure port or thermocouple-well where critical pressures are experienced
- Body materials: 304 series Stainless Steel
- Standard rupture disk material: Inconel
- Stocked burst ratings 1,000 psig to 15,000 psig in 500 psi increments (for higher pressures contact ZOOK)
- 0% manufacturing range
- Burst tolerance $\pm 10\%$ with typical standard deviation of $\pm 1\%$ throughout the temp range of 300°F to 750°F (149°C to 399°C)
- Standard EBPs in stock
- 100% factory leak-tested
- 100% electronic thread verification of every assembly utilizing digital imaging
- 100% ultra-sonically cleaned prior to shipment
- Private labeling, custom packaging and other options available

Assemblies

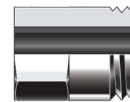
ZOOK inventories standard Inset Hex End and Screwdriver End configurations.

ZOOK can offer many other custom welded designs for a wide variety of applications with custom fittings and connections for stringent applications such as ultra-high vacuum, OEM markets, military, aerospace, and many other applications. Please contact your representative or ZOOK.

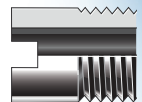


ZOOK Extrusion Burst Plugs are pressure relief devices designed for over-pressure protection of plastic and rubber extrusion processes

Stocked Configurations



Inset Hex



Screwdriver End

ZOOK's Welded Design Advantage

ZOOK's Extrusion Burst Plugs (EBP Series) are superior to competitors' soldered designs:

- Welded joints are stronger and more resistant to increased temperatures, which eliminates spurious bursts and product contamination
- Joint failure is eliminated due to increased temperature and pressure cycling
- Material creep is removed ensuring burst repeatability
- Superior joint design reduces confusing temperature correction factors
- The additional stability ensures the device will burst within tolerance throughout the specified temperature range
- Improved quality and operational excellence



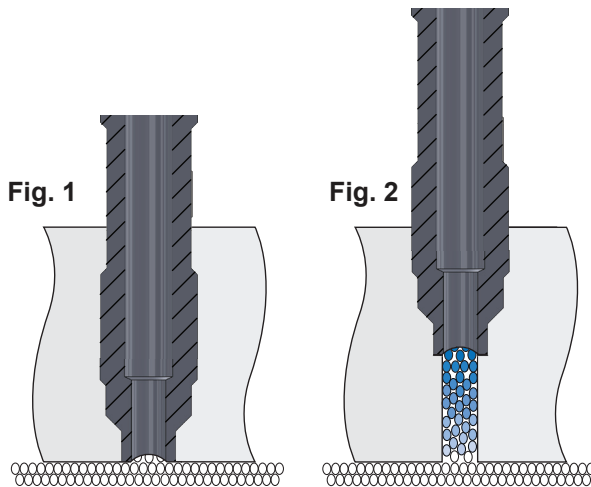
EBP Specifications

Ordering/Re-ordering

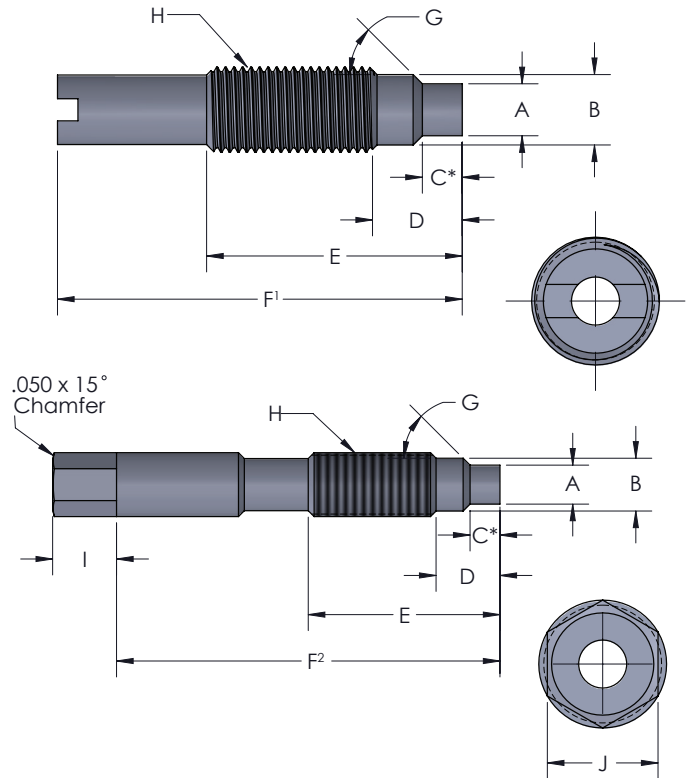
For ordering please reference table below and for re-ordering, please specify previous lot number.

Installation

It is important that the Extrusion Burst Plug be mounted flush with the inner wall of the extrusion device (see Fig.1). An improperly designed device would present an area for excessive product build-up, rendering the Extrusion Burst Plug ineffective (see Fig.2).



Dimensions



EBP_Data_072020

MODEL NUMBERS							
	EBP-1000	EBP-1001	EBP-1002	EBP-1003	EBP-1004	EBP-1005	
DIMENSIONS	A	0.305-0.310	0.305-0.310	0.305-0.310	0.305-0.310	0.305-0.310	0.305-0.310
	B	0.413	0.413	0.413	0.413	0.413	0.413
	C*	0.234 – 0.265	0.234 – 0.265	0.234 – 0.265	0.234 – 0.265	0.234 – 0.265	0.234 – 0.265
	D	0.50	0.50	0.50	0.50	0.50	0.50
	E	1.50	1.50	1.50	1.50	1.50	1.50
	F ¹	2.375					
	F ²		3.00	4.00	6.00	9.00	12.00
	G	45°	45°	45°	45°	45°	45°
	H	1/2-20 UNF-2A	1/2-20 UNF-2A	1/2-20 UNF-2A	1/2-20 UNF-2A	1/2-20 UNF-2A	1/2-20 UNF-2A
	I		0.50	0.50	0.50	0.50	0.50
J	0.433	0.433	0.433	0.433	0.433	0.433	

Note:
*Dimension C includes disk thickness

Visit us at www.zookdisk.com

SERVING AMERICA, CENTRAL & SOUTH AMERICA

16809 Park Circle Drive
Chagrin Falls, Ohio 44022
United States

Toll Free: +1 800 543 1043
Phone: +1 440 543 1010
Fax: +1 440 543 4930
E-mail: sales@zookdisk.com

SERVING EUROPE, MIDDLE EAST & AFRICA

Navigation House, Bridge St.
Killamarsh, Sheffield, S21 1AL
United Kingdom

Phone: +44 (0) 1909 560999
Fax: +44 (0) 1909 560860
E-mail: sales.europe@zookdisk.com

SERVING CANADA

4400 South Service Road
Burlington, Ontario, L7L 5R8
Canada

Toll Free: +1 800 370 6057
Phone: +1 905 681 2885
Fax: +1 905 681 8838
E-mail: sales.canada@zookdisk.com

SERVING ASIA PACIFIC

Unit No. 23A-05, Menara Landmark
No.12, Jalan Ngee Heng
80000 Johor Bahru, Johor,
Malaysia

Phone: +60 (7) 2910099
Fax: +60 (7) 2910096
E-mail: sales.asia@zookdisk.com



Safety through knowledge and performance.