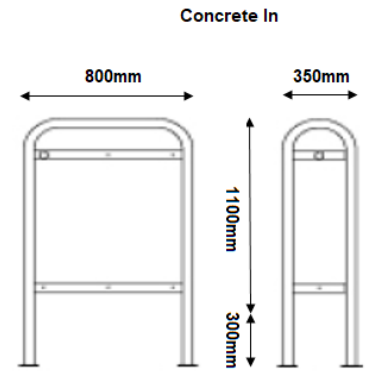
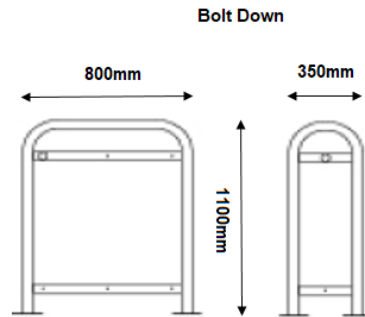




**AUTOPA**

# Door Guard Thin Stainless Steel



AUTOPA Door Guards are designed to protect walls from being damaged by swinging doors. An integrated rubber stopper acts as a shock absorber, preventing the door from hitting the steel frame. Ideal for commercial and industrial sites, they are suitable for internal and external use and can be installed either individually or in pairs.

Extremely durable, AUTOPA's Door Stops are manufactured from Stainless steel and available with flange plates for bolting down or extended legs for casting into concrete.

Central rubber stopper.



<u>Part Number</u>	<u>Description</u>	<u>Weight (kg)</u>
138 206 039	Door Guard Thin - Concrete In	10kg
138 206 034	Door Guard Thin - Bolt Down	12kg

## Product details

- 2mm wall thickness
- 1100mm x 350mm (height x width)
- Concrete in 300mm (below ground)
- Round flange plate – 120mm x 5mm
- 6 bolts required per door guard (bolt down)
- 50mm x 5mm tapping rail

## Installation & use

Bolt down to a suitable concrete surface.  
Telescopic, removable and concrete in are supplied with welded fixing spikes to ensure firm ground anchorage into concrete.  
Telescopic, removable and concrete in require a suitable excavated hole for installing into concrete.  
Products are guaranteed for 12 months (if installed and used correctly).



[www.autopa.co.uk](http://www.autopa.co.uk)  
+44 (0)1788 550556

AUTOPA Limited  
Cottage Leap, Rugby, Warwickshire CV21 3XP

