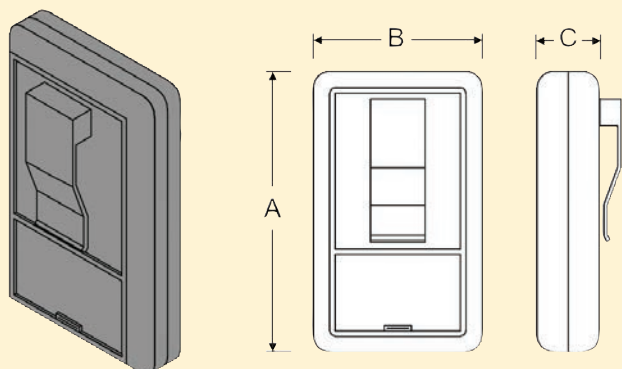


ABS Hand-Held Cases

Hand-Held Case HHC002



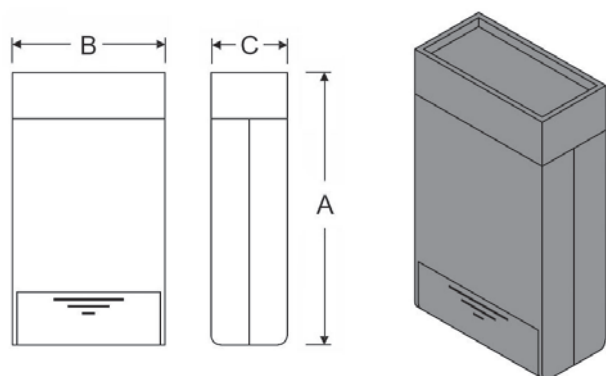
Moulded in Black, Grey & White ABS, with a textured finish, HHC002 hand-held cases come complete with an integrated PP3 battery compartment and battery connection plate housed behind a removable cover.

An optional pocket clip is also included in the design and the case features locations for mounting a PCB. The two main parts of the case are assembled with two self-tapping screws and these are concealed behind the battery compartment.

| Part No. (add colour) | Dimension A | Dimension B | Dimension C | Wall mm |
|--------------------------|----------------|----------------|----------------|------------|
| HHC002 | 103 | 62 | 23.0 | 1.5 |

Nominal external dimensions in mm.

Hand-Held Case HHC003



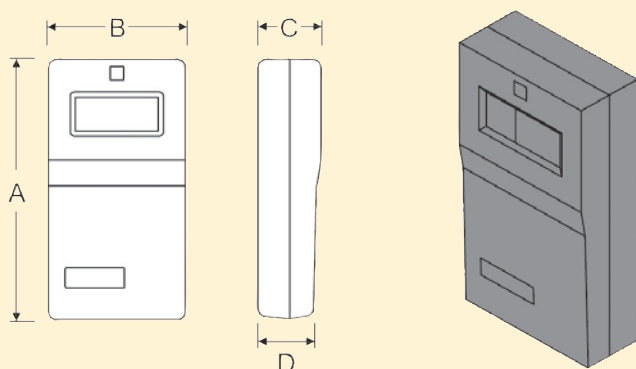
Moulded in Black, Grey & White ABS, with a textured finish, HHC003 hand-held cases come complete with an integrated PP3 battery compartment housed behind a removable cover plate. The case features locations for mounting a PCB.

The two main case parts are assembled with two self-tapping screws, provided, and these are concealed behind the battery compartment. The clip-on bezel retains the separate front which can easily be customised.

| Part No. (add colour) | Dimension A | Dimension B | Dimension C | Wall mm |
|--------------------------|----------------|----------------|----------------|------------|
| HHC003 | 118 | 66 | 33.0 | 2.0 |

Nominal external dimensions in mm.

Hand-Held Case HHC005



Moulded in Black or White ABS, with a textured finish, HHC005 hand-held cases come complete with an integrated compartment for two PP3 batteries housed behind a removable cover plate.

The case features locations for mounting a PCB in both halves and is easily assembled via the four self-tapping screws provided. A removable small panel at the window end of the case facilitates leads and wiring.

The window measures 49 x 20mm.

| Part No. (add colour) | Dim. A | Dim. B | Dim. C | Dim. D | Wall mm |
|--------------------------|-----------|-----------|-----------|-----------|------------|
| HHC005 | 154 | 81 | 37.5 | 33 | 2.0 |

Nominal external dimensions in mm.

Customising Options:

We have full, in-house facilities to customise all the enclosures featured in this catalogue, including holes, cut-outs, apertures and more, to your specific requirements. See Page 10.

Tel: +44 (0) 20 8365 2520
Email: sales@perancea.com

PERANCEA

Fax: +44 (0) 20 8566 7217
Website: www.perancea.com

Unit 36, Silicon Business Centre, 28 Wadsworth Road, Perivale Greenford, UB6 7JZ, England

In line with our policy of continuous improvement, we reserve the right to make design or product alterations without prior notice.

Page 3