

Glycerine Filled Pressure Gauge

All Stainless Steel version Model 17



Application: These gauges are built to resist the most stringent operating conditions created by the environment and the medium under pressure. Construction is stainless steel case with non-ferrous wetted parts, and may be further enhanced by the use of diaphragm seals, electric contacts.

When used in the measurement of gas or vapour the gauges must be used in accordance with the safety regulations stated in EN837-2.

Nominal Dial Size:- 40, 50, 63, 80, 100, 160, 200 & 250mm.

Accuracy:- 40 & 50mm EN837 class 2.5%
63 & 80mm EN837 class 1.6%
100, 160, 200 & 250mm EN837 class 1.0%

Ranges:- 40 & 50mm - -1 to 250bar & psi
-1 to 1000 bar & psi or to customer requirements

Specification

Connection: Brass

Bourdon tube: Phosphor bronze

Movement:

Brass—bottom or back

Dial: White aluminium, with black markings.

Pointer: balanced, aluminium

Case: AISI 304 St.St.

Gasket: polychloroprene or natural white rubber.

Window: Glass, optional shatterproof glass.

Bezel ring: AISI 304 polished St.St.

Protection: IP 65

Connection Size:

40mm - 1/8bsp

50mm - 1/8bsp +/- 1/4bsp

63mm - 1/4bsp

80mm - 1/4bsp

100mm, 160mm - 1/4bsp, 3/8bsp, 1/2bsp

200mm, 250mm - 3/8bsp +/- 1/2bsp

Special Dial ranges different from standard, or custom artwork, available on request.

Options:

3 hole back flange for bottom connection surface mounting

3 hole front flange or bracket for back connection panel mounting

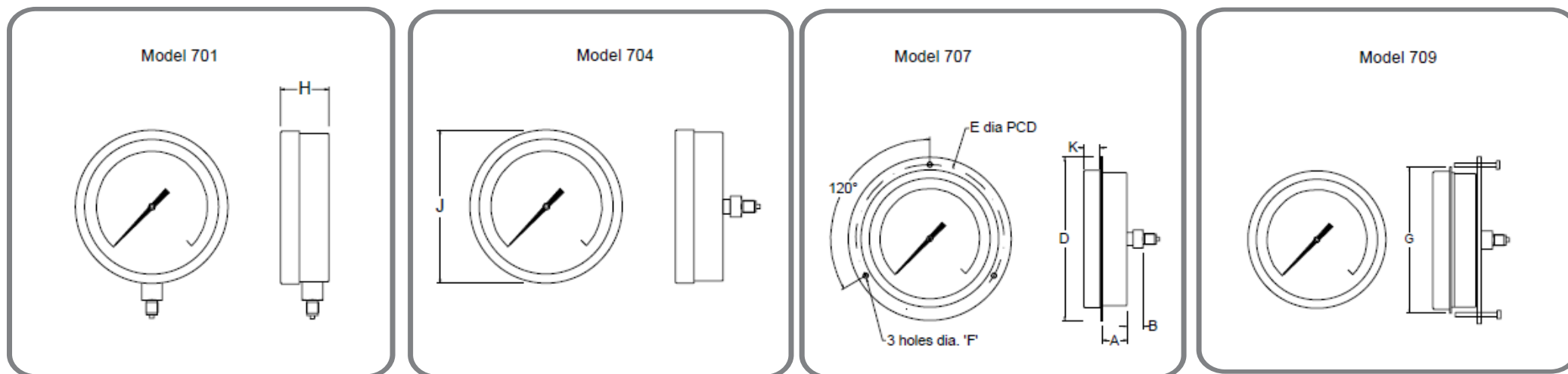
Restrictor screw in thread.

63mm rubber protective cover

Datasheet 7

Glycerine Filled Pressure Gauge

40, 50, 63 & 80mm gauges Model 701, 704, 707 & 709

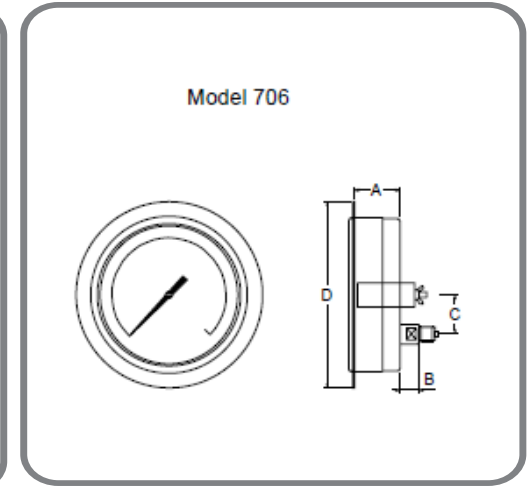
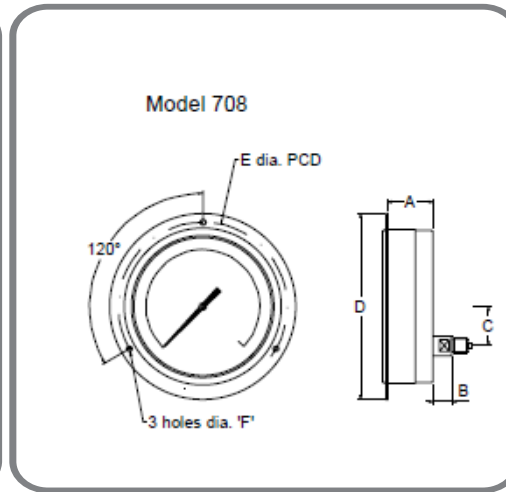
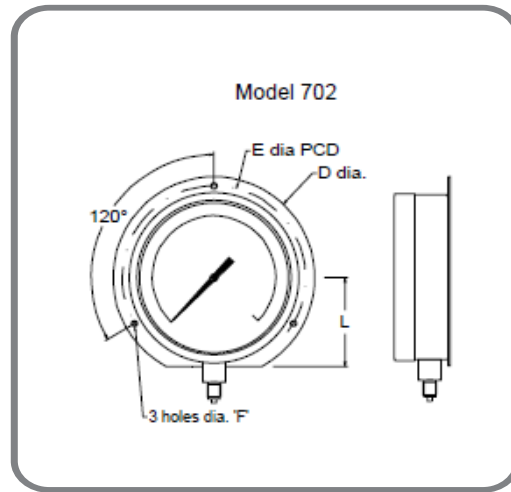
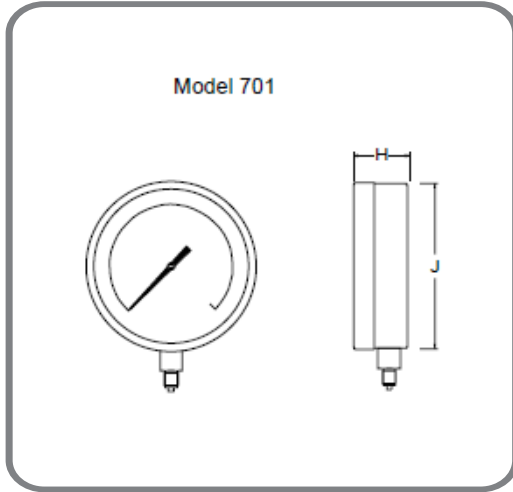


Nominal Diameter	A	B	D	E	F	G	H	J	K	Panel Cutout
50	21	11	80	75	4	60	28.2	58	6	51
63	25	14	85	81	4	70	31.4	68	5.5	64
80	20	14	105	100	5	90	31	89	10	81

Datasheet 7

Glycerine Filled Pressure Gauge

100, 160, 200, & 250mm gauges Model 701, 702, 706 & 708



Nominal Diameter	A	B	D	E	F	H	J	Panel Cutout
100	44.5	14	133	120	5	49.3	98	99
160	45	28	195	185	6	49.5	158	159



Tel 01446 729200 | Fax 01446 739281 | www.tjwilliams.co.uk

Wimborne Rd, Barry, Vale of Glamorgan, CF63 3DH