

Pressure Gauge Class 1.6



Application

These pressure gauges are designed for the general industry market, where higher accuracy is not required.

Nominal Dial sizes: 100 & 150mm

Accuracy: Class 1.6 to EN 837-1/3

Ranges: -1 to 700bar & psi

A Range of matching Thermometers are available from stock; Plus Gauge Cocks, Syphons, Valves and Test Points

Specification

Sensing:

Bourdon

Case:

Black Steel

Bezel:

304 Stainless Steel

Connection:

Brass, 3/8" bsp

Window:

Acrylic

Pointer:

Tempered Steel

Logos:

Minimum quantity 100 pieces per specification

Options:

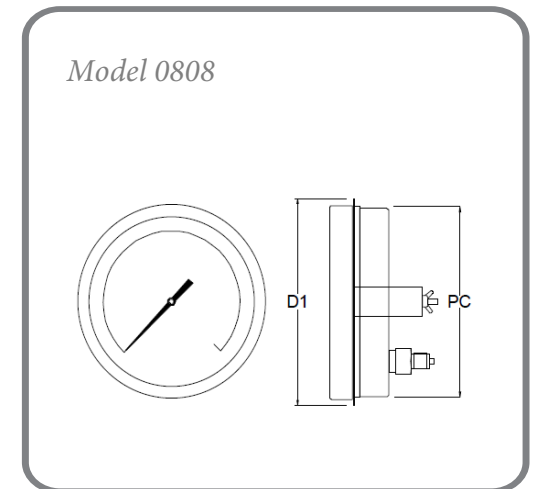
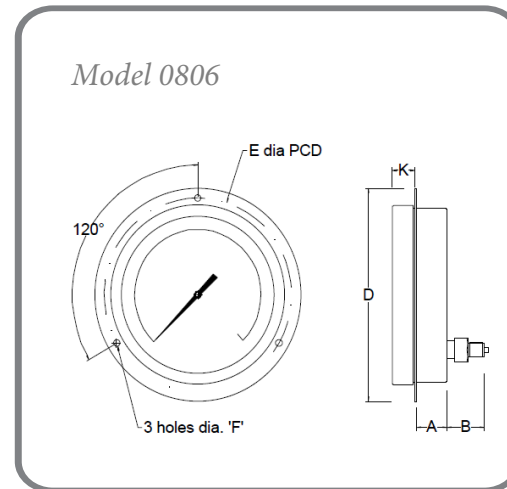
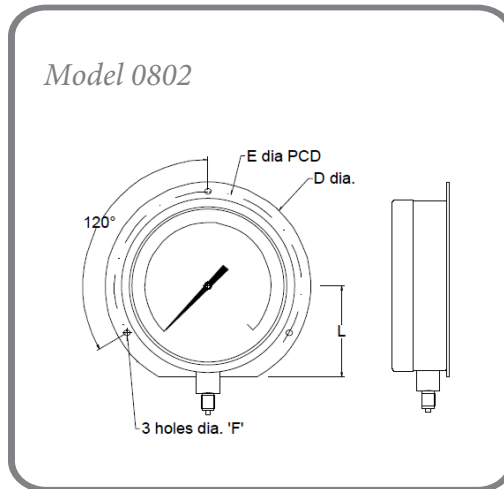
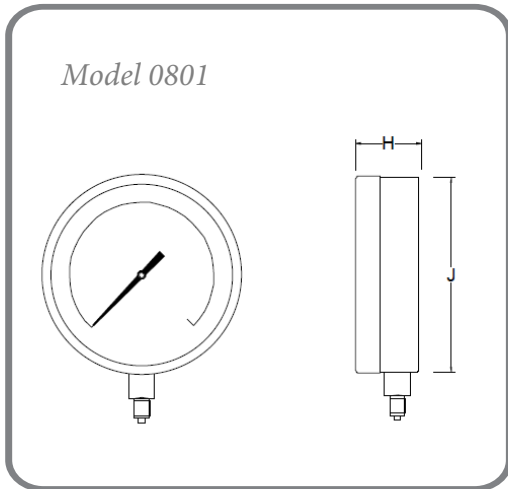
Red Line on Window

Datasheet 8

Pressure Gauge Class 1.6

100, 160, & 250mm gauges

Model 0801, 0802, 0806 & 0808



Nominal Diameter	A	B	D	D1	E	F	H	J	K
100	35	15	132	110	118	6	50	100	13
160	17.5	50		116	34.5		116		