

Chemical Seal Gauge With PVC Bolted Seal



Model 14B-PVC

Application:

Where the medium used is aggressive towards stainless steel.

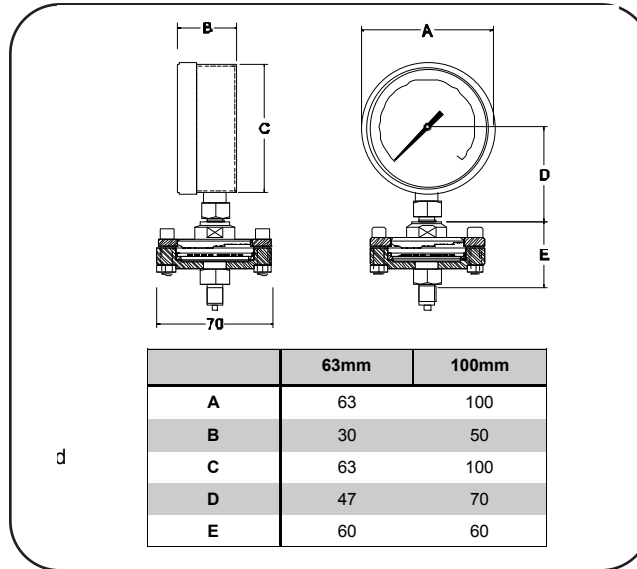
Nominal Dial Sizes:

50mm, 63mm, 100mm & 160mm

Accuracy:

1.6% 100mm & 160mm

2.5% 50mm & 63mm



Specifications

Case & Bezel:

304 St. St with Bayonet locking bezel
Weatherproof construction

Connection & Element:

PVC body with 316 st st PFA coated
PTFE gasket

Movement:

Stainless Steel

Dial:

White Aluminium with black markings

Pointer:

Black Oxidised Aluminium

Window:

Perspex or glass

Optional Extras

Liquid filled head

Customer logo

Female threads

Electrical contacts

Remote type with capillary

flush panel or surface mounting

Base:

Acetal, Nylon, Polypropylene