

Stainless Steel Bourdon Tube Gauge with Silicone Damped Movement



Application: These gauges are built to resist the most stringent operating conditions created by the environment and the medium under pressure. Construction is all stainless steel and may be further enhanced by the use of diaphragm seals, electric contacts and transmitters. When used in the measurement of gas or vapour the gauges must be used in accordance with the safety regulations stated in EN837-2.

Nominal Dial Size:- 100, 160 mm.

Accuracy:- EN837 class 1.0%
(class 0.6% optional)

Ranges:- -1 to 1000 bar & psi or to customer requirements

Associated products:

Barrier Seals, Electrical Contacts, Syphons and Ball Values

Specification

Connection: AISI 316 St St

Bourdon tube: AISI 316 St St

Movement: St.St. with Silicone damped

Dial: White aluminium, with black markings. Special Dial ranges, or custom artwork dials, available on request.

Pointer: balanced, aluminium

Case: AISI 304 St.St.

Gasket: polychloroprene or natural white rubber.

Window: Glass or shatterproof glass or Acrylic

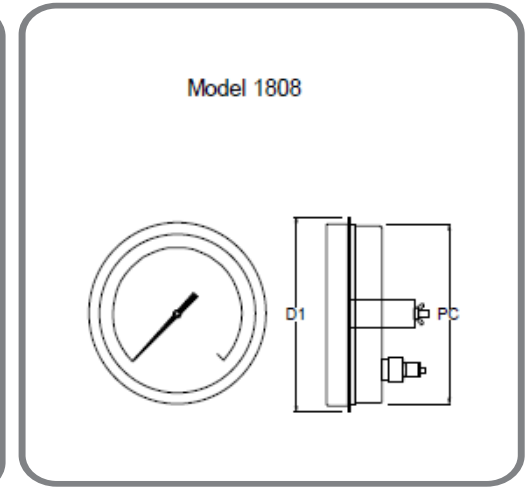
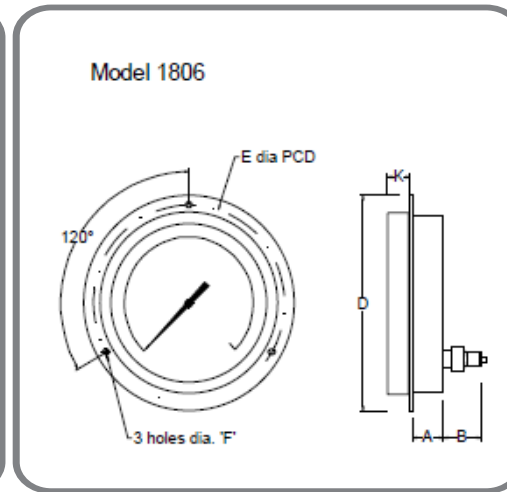
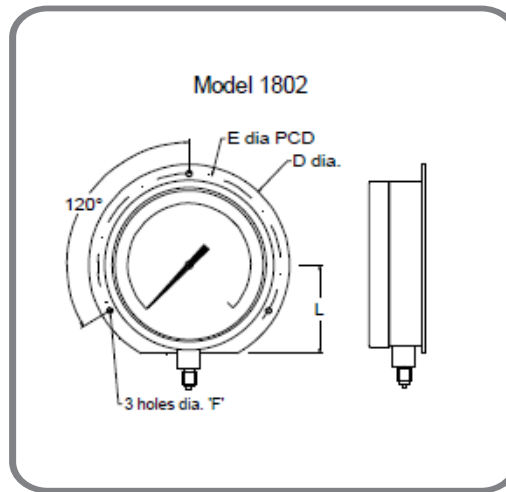
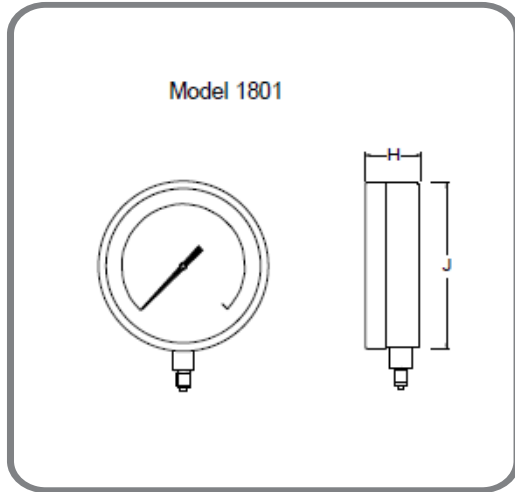
Bezel ring: AISI 304 polished St.St. with bayonet connection

Protection: IP 65

Connection Size: 3/8", 1/2" bsp or npt available

Stainless Steel Bourdon Tube Gauge with Silicone Damped Movement

100, 160mm gauges Model 1801, 1802, 1806 & 1808



Nominal Diameter	A	B	D	D1	E	F	H	J	K	Panel Cutout
100	35	15	132	110	118	6	50	100	13	102
160	45	15	110	110	118	6	50	100	6	102
100 DIN										
160 DIN										