

RT-0200

PERFORMANCE DATA

AIR TEC

AIR SYSTEMS



Type	Number	FH!\$&\$\$#	RH!\$&\$\$#%	FH!\$&\$\$# @	RT-1003	RT-1003-1
Phase		3	1	3	3	1
Output	50Hz	0.18	0.18	0.18	0.20	0.20
	Kw	60Hz	0.20	0.20	0.20	0.25
Voltage	50Hz	208-255/360-440	110-120/220-240	208-255/360-440	208-255/360-440	110-120/220-240
	V	60Hz	220-265/380-460	110-120/220-240	220-265/380-460	220-265/380-460
Current	50Hz	0.9/0.52	3.0/1.5	0.9/0.52	1.2/0.69	3.4/1.7
	Amp	60Hz	0.9/0.52	3.4/1.7	0.9/0.52	1.3/0.75
Vacuum	50Hz	50	50	50	70	70
	mbar	60Hz	70	70	70	75
Pressure	50Hz	60	60	60	70	70
	mbar	60Hz	70	70	70	80
Air Flow	50Hz	0.8	0.8	0.8	0.8	0.8
	m ³ /min	60Hz	1.0	1.0	1.0	1.0
Insulation Class		F	F	F	F	F
L1		90[3.55]	90[3.55]	111.5[4.39]	90[3.55]	90[3.55]
L2		209.5[8.25]	209.5[8.25]	231[9.09]	209.5[8.25]	209.5[8.25]

AIR TEC

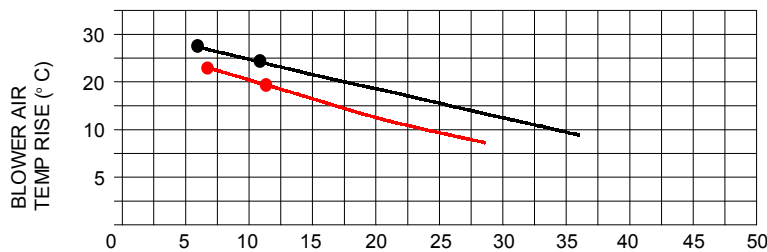
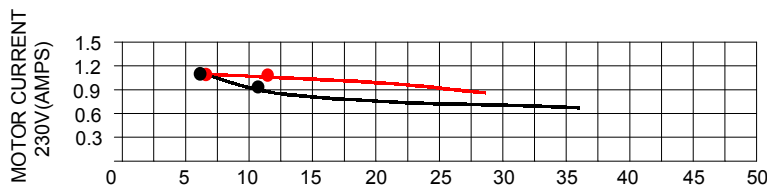
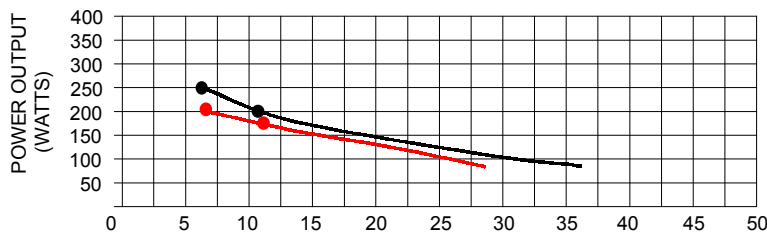
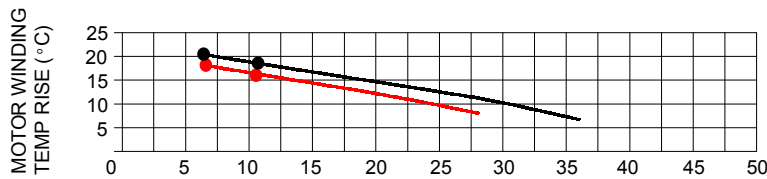
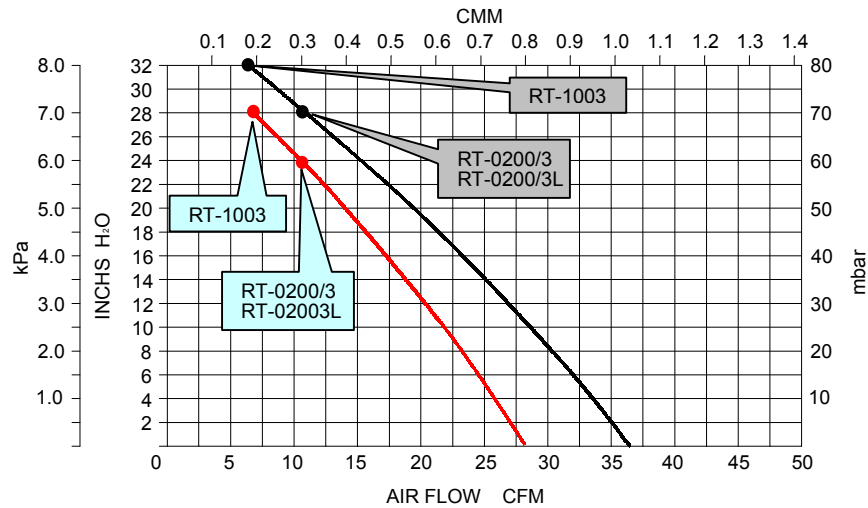
AIR SYSTEMS

RT-0200/3 series (Blowing Curve)

50Hz —————

60Hz —————

The technical data is based on 1 bar (abs.) free atmosphere and 20° Cwith Inlet air density 1.2kg/m³,includes 10%variance.

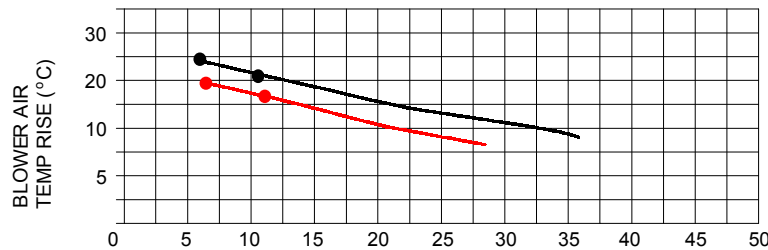
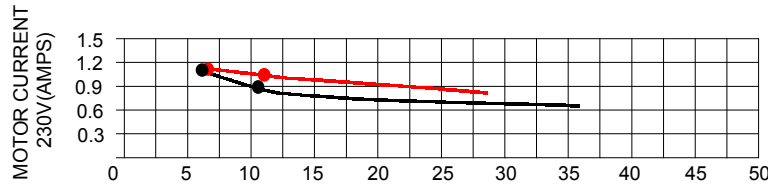
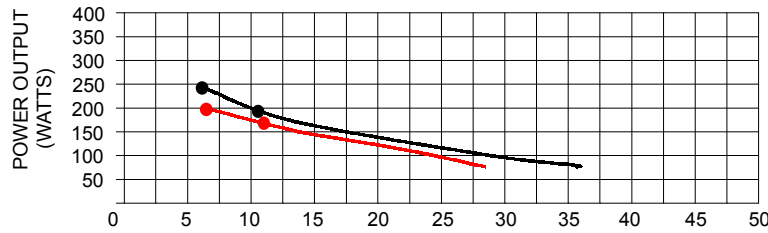
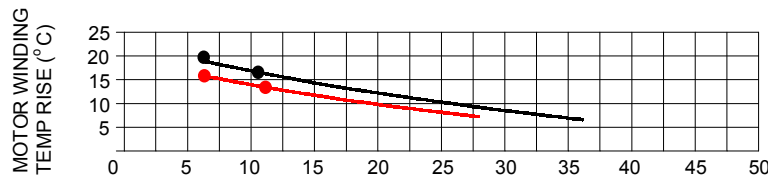
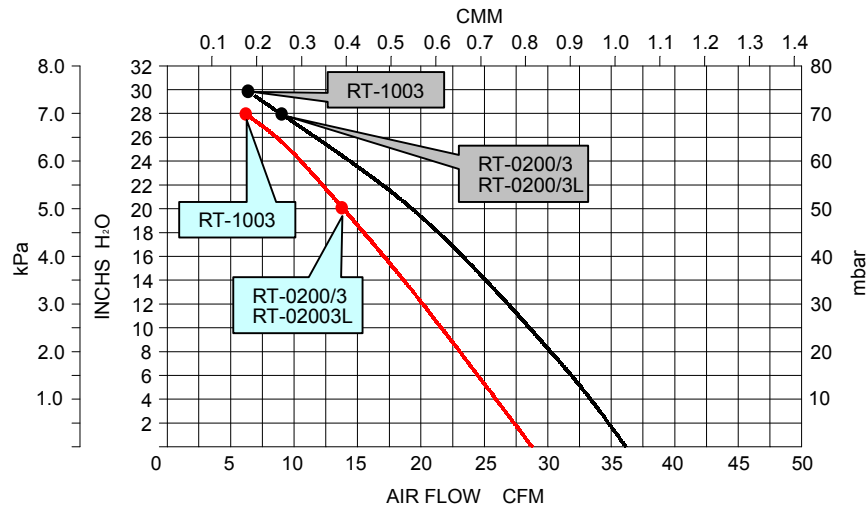


RT-0200/3 series (Suction Curve)

50Hz —————

60Hz —————

The technical data is based on 1 bar (abs.) free atmosphere and 20° C with Inlet air density 1.2kg/m³, includes 10% variance.

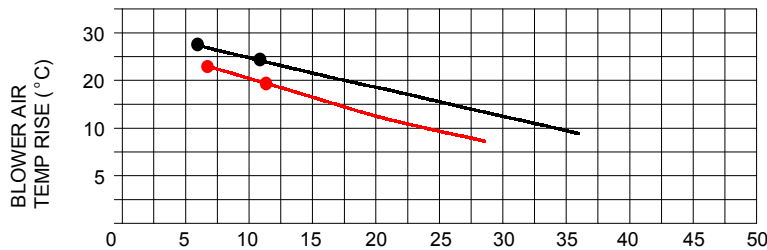
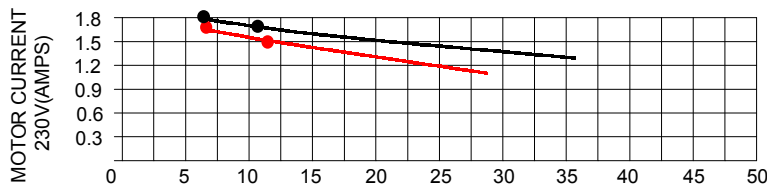
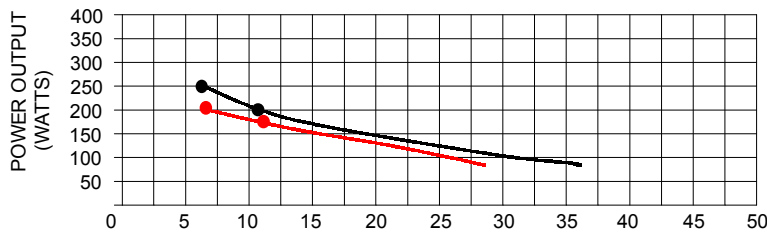
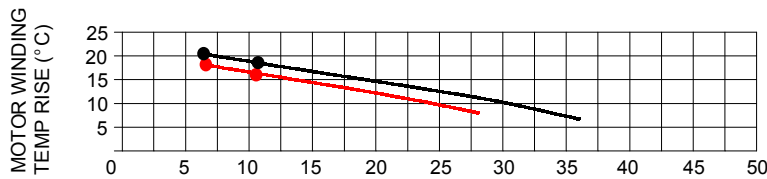
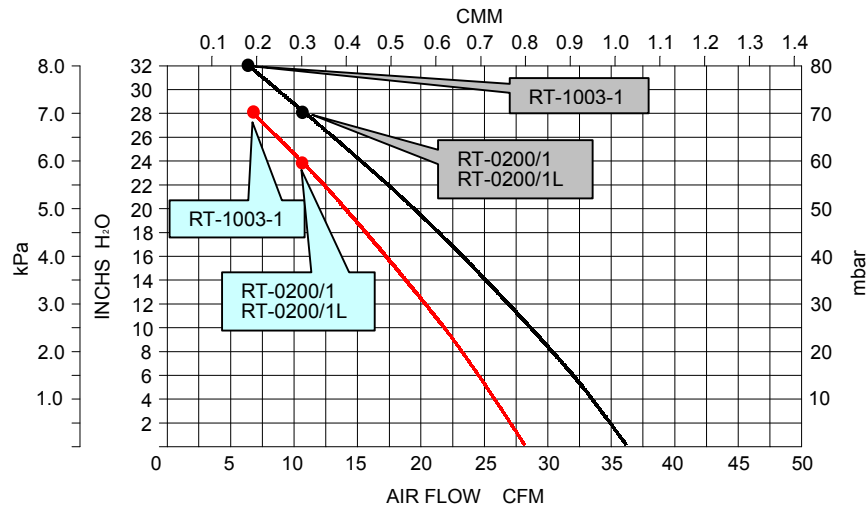


RT-0200/1 series (Blowing Curve)

50Hz —————

60Hz —————

The technical data is based on 1 bar (abs.) free atmosphere and 20° C with Inlet air density 1.2kg/m³, includes 10% variance.

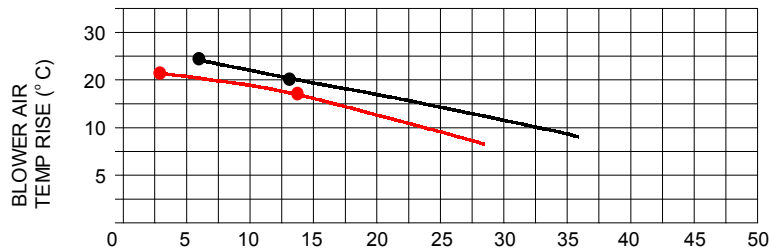
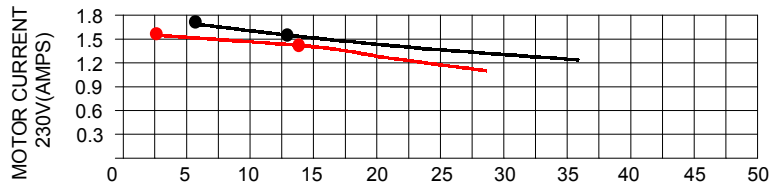
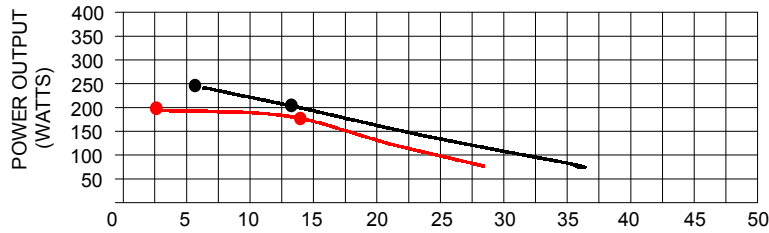
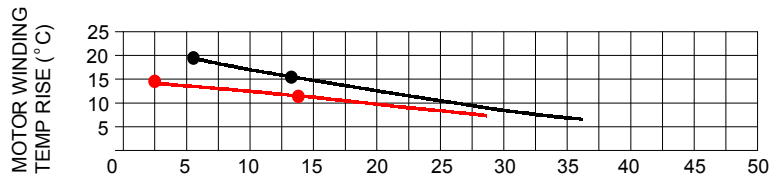
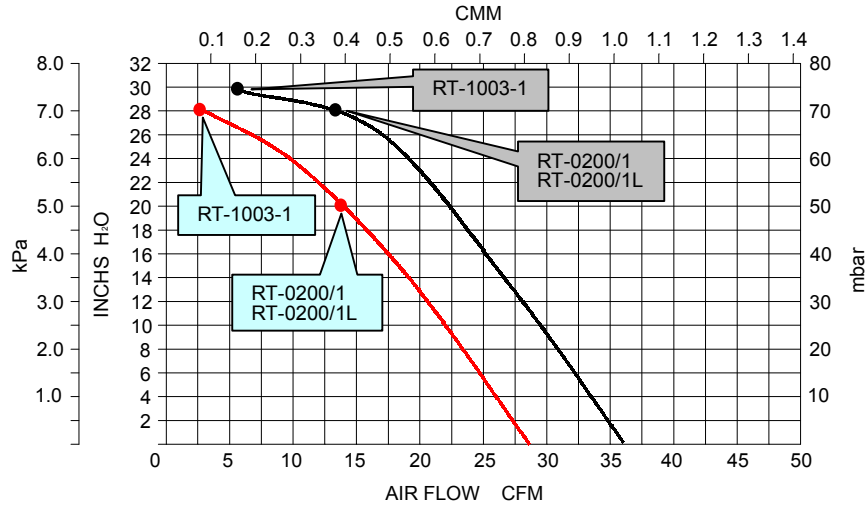


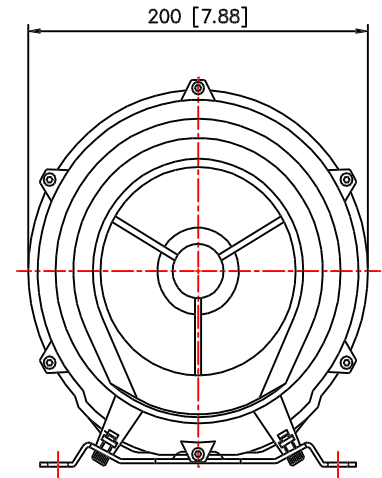
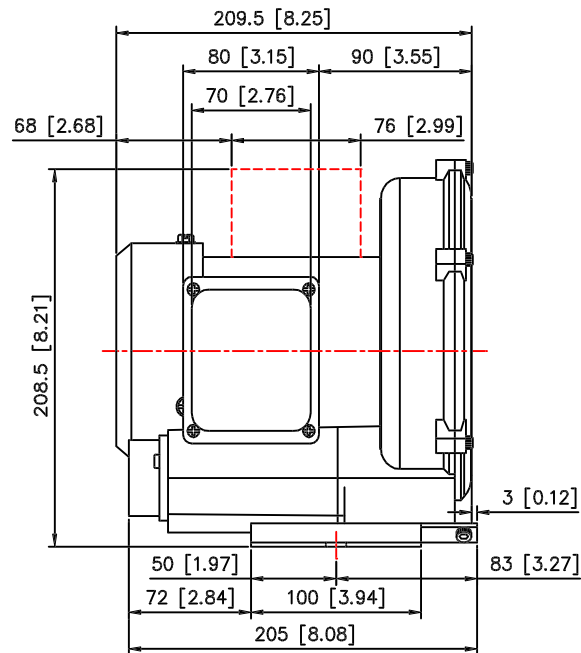
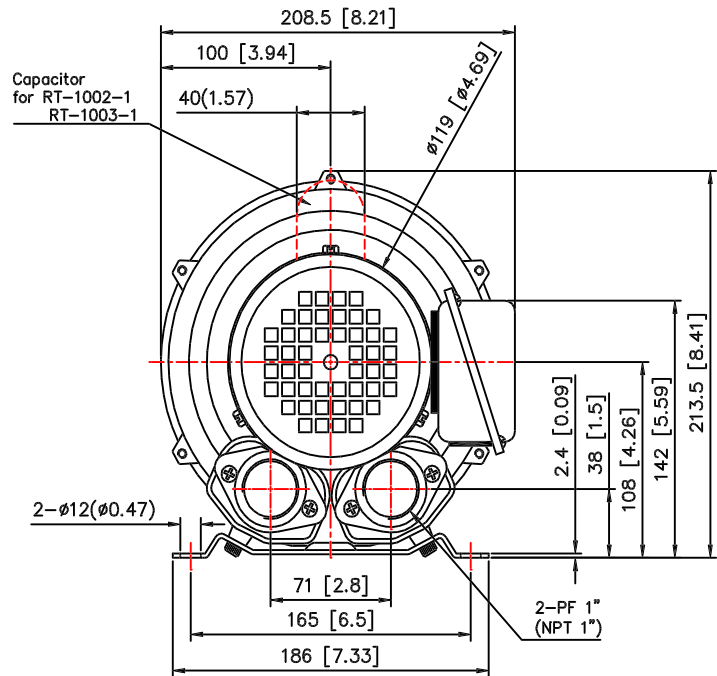
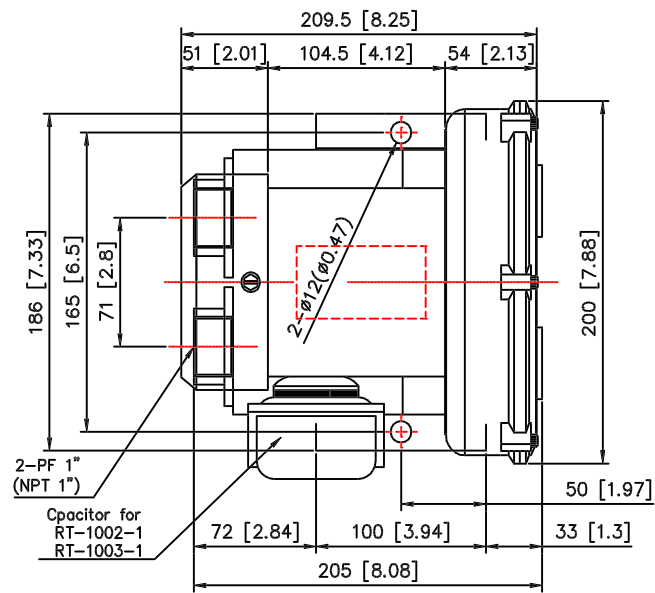
RT-0200/1 series (Suction Curve)

50Hz

60Hz

The technical data is based on 1 bar (abs.) free atmosphere and 20° C with Inlet air density 1.2kg/m³, includes 10% variance.





Drawing name : RT-0200