

YOUR PARTNER IN PACKAGING



# AC 1000

## SEMI AUTOMATIC TABLET COUNTER

The AC 1000 offers small to medium scale counting operations with an unparalleled flexibility over a wide range of tablet types..



### MACHINE FEATURES

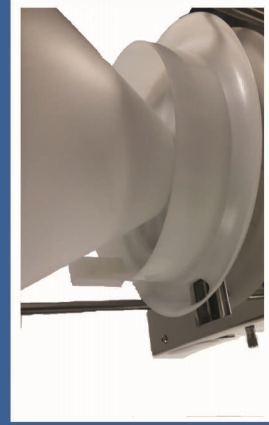
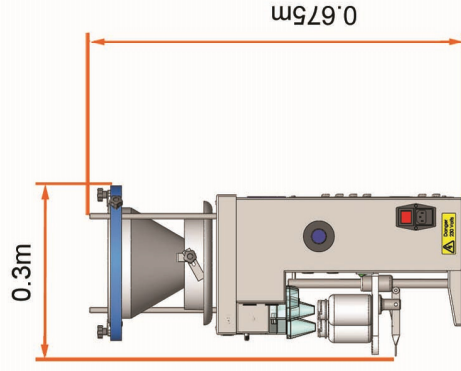
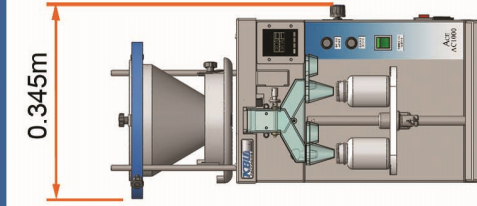
- Counts coated and uncoated tablets, hard and soft gelatine capsules and dragees.
- Digitally controlled count adjustment.
- Accurate dispensing with excellent repeatability.
- Simple operation with fast product change over.
- Tool free removable product contact parts.
- Constructed in compliance with FDA approved materials.
- Optional full IQ/OQ Validation support documentation
- Small machine footprint

KBW PACKAGING LTD, UNITS 5 & 6 REDAN HILL ESTATE, REDAN ROAD, ALDERSHOT, HAMPSHIRE GU12 4SJ, UK  
T: +44(0) 1252 322220 F: +44(0) 1252 322288

W: [www.kbw-packaging.com](http://www.kbw-packaging.com)



# YOUR PARTNER IN PACKAGING



## TECHNICAL SPECIFICATION

Output:	10 bottles per minute based on a 50 count Ø5mm round tablet
Electrical Control System:	Omron
Electrical Requirements:	220/240V 50Hz 1 Ph or 110/120V 60Hz
Build Standard:	cGMP, CE marked in accordance with Machinery Directive 2006/42/EC
Product Size:	Tablet Ø5mm - Ø15mm Capsule #5 - #00
Container Size:	Diameter - 15mm 100mm Height - 25mm to 185mm
Nett Weight:	21Kg

## OPERATION

Tablets or capsules are loaded into a product hopper which progressively feeds them into a vibratory scroll feeder to pre-orientate the product into a single stream.

The product proceeds to pass through a counting sensor where they are diverted through dispensing funnels into the pre-positioned container. When required count is reached the divider flap switches position and directs the product into the next container.