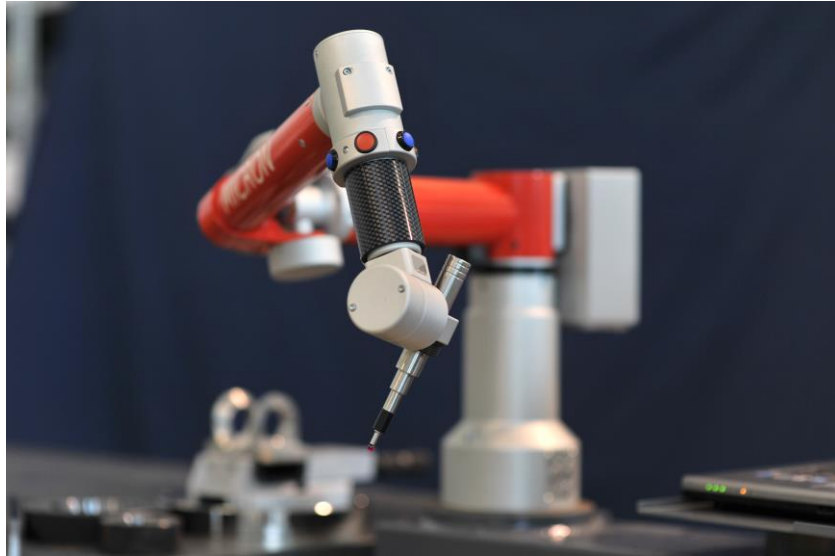


MICRON – The highest Accuracy for Articulated Arms

The arms are certified with the Standard ISO 10360-2 using a proprietary software and certified instruments. The unique mechanics of these machines make them not influenced by the application of external loads, for the longest durability in time

A new concept for a portable articulated arm CMM, designed to get the best accuracy performance from your measurements. It's a portable CMM dedicated for very accurate inspections, for quality control or any other process where a touch probe control is necessary.



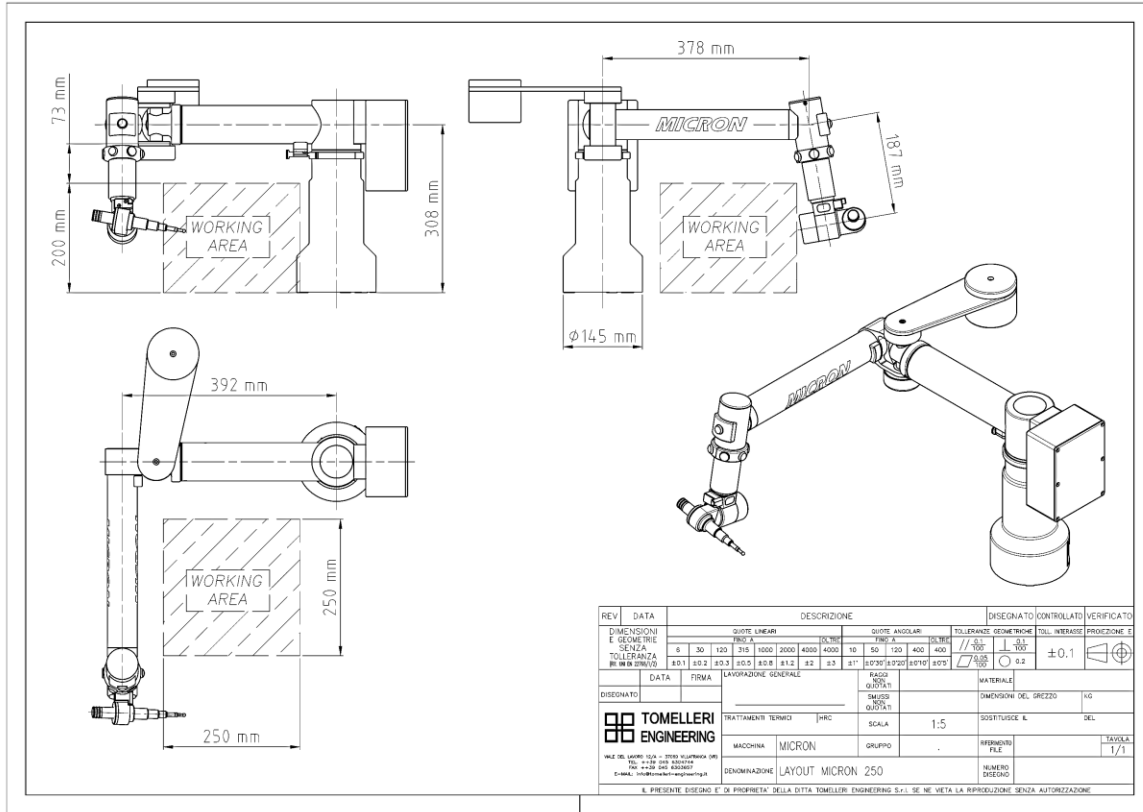
MICRON is light-weight and extremely easy to handle, with a mass counter-balance that makes the movements of the axes extremely smooth. The operator holds the probe and guide the arm supporting only 15grams weight!

It's the perfect equipment for touch probe inspections when the easy-use and the high precision are necessary, quickly and within a hand's reach. The particular design of these arms allow to access the work-piece around its outline like no other CMMs can do!

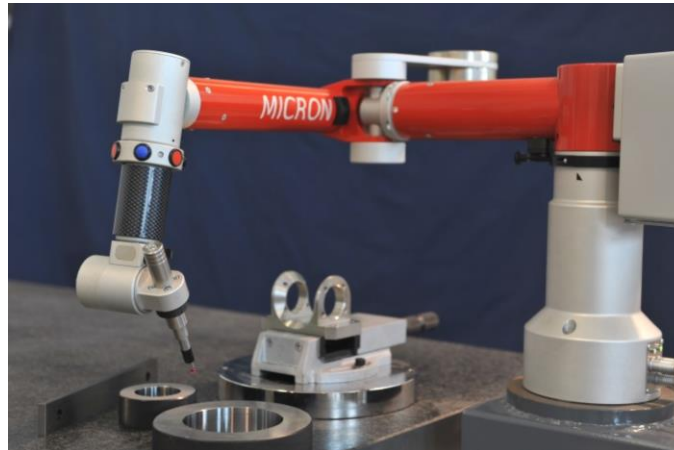
		Measuring range (mm)	Volumetric Accuracy ¹ (mm)	Point Repeatability ¹ (mm)	Weight (Kg)
<i>SPM5025</i>	MERCURY 250	250x250x250	0,004+L/50	0,005	12
<i>SPM40S</i>	MERCURY 400S	400x250x250	0,005+L/50	0,007	14

1. Error: 2 sigma (2σ)

Models Layout



Layout for MICRON 250 (SPM5025) and MICRON 400S (SPM400S)



All MICRON arms have an additional external temperature sensor in order to increase the accuracy through a better temperature compensation.

ALL the MICRON Arms are MADE IN ITALY