

D&E stainless steel butt hinge

| | | |
|----------------|-------|------|
| CI/SfB | 31/59 | Xt 7 |
| September 2007 | | |



D&E stainless steel butt hinge.

| | | |
|--|------------------------------|----------------------|
| <i>DEST83DR3</i> | butt hinge - delrin washered | sat. stainless steel |
| <i>DEST83DS3</i> | butt hinge - un-washered | sat. stainless steel |
| Rating: | light - medium duty | |
| Stainless steel grade: | SUS 304. | |
| Pin: | fixed | |
| Dimensions: | 76 x 49 x 1.5mm | |
| Door Weights: | 1 pr | 15Kg |
| | 1½ prs | 18Kg |
| Packaging: | 10 prs | |
| Supplied complete with stainless steel fixing screws | | |



D&E stainless steel butt hinge.

| | | |
|--|------------------------------|----------------------|
| <i>DEST83DR35</i> | butt hinge - delrin washered | sat. stainless steel |
| <i>DEST83DS35</i> | butt hinge - un-washered | sat. stainless steel |
| Rating: | light - medium duty | |
| Stainless steel grade: | SUS 304. | |
| Pin: | fixed | |
| Dimensions: | 89 x 56 x 1.7mm | |
| Door Weights: | 1 pr | 20Kg |
| | 1½ prs | 24Kg |
| Packaging: | 5 prs | |
| Supplied complete with stainless steel fixing screws | | |

| | | |
|----------------|-------|------|
| CI/SfB | 31/59 | Xt 7 |
| September 2007 | | |



D&E brass butt hinge - un-washed

DEH1020/25/SB butt hinge - un-washed satin brass
Pin: fixed
Dimensions: 25 x 20 x 1.3mm
Packaging: 1 / 40 pcs



D&E brass butt hinge - un-washed

DEH1021/38/SB butt hinge - un-washed satin brass
Pin: fixed
Dimensions: 38 x 22 x 1.3mm
Packaging: 1 / 20 pcs



D&E brass butt hinge - un-washed

DEH1022/50/SB butt hinge - un-washed satin brass
Pin: fixed
Dimensions: 50 x 28 x 1.4mm
Packaging: 1 / 20 pcs

| | | |
|----------------|-------|------|
| CI/SfB | 31/59 | Xt 7 |
| September 2007 | | |



D&E brass butt hinge - un-washed

DEH1023/63/SB butt hinge - un-washed satin brass
Pin: fixed
Dimensions: 63 x 35 x 1.5mm
Packaging: 1 / 20 pcs



D&E brass butt hinge

DEH1024/75/SB butt hinge - un-washed satin brass
Pin: fixed
Dimensions: 75 x 40 x 1.7mm
Packaging: 1 / 20 pcs



D&E brass butt hinge - un-washed

DEH1025/100/SB butt hinge - un-washed satin brass
Pin: fixed
Dimensions: 100 x 60 x 2.2mm
Finish: satin brass
Packaging: 1 / 10 pcs



D&E flush hinge

DEH1017/50/B
DEH1017/50/ZP

flush hinge
flush hinge

brass plated
zinc plated

Pin:

fixed

Dimensions:

50 x 18 x 1.2mm

Packaging:

1 / 300 pcs



DEH1018/60/B
DEH1018/60/ZP

flush hinge
flush hinge

brass plated
zinc plated

Pin:

fixed

Dimensions:

60 x 20 x 1.2mm

Packaging:

1 / 250 pcs



DEH1019/75/B
DEH1019/75/ZP

flush hinge
flush hinge

brass plated
zinc plated

Pin:

fixed

Dimensions:

75 x 25 x 1.6mm

Packaging:

1 / 250 pcs

| | | |
|----------------|------|--|
| CI/SfB | | |
| 31/59 | Xt 7 | |
| September 2007 | | |



D&E DEBB802 ball bearing butt hinge - CE EN1935

DEBB802/33/B
 DEBB802/33/ZP
 DEBB802/33/RAL
 DEBB802/33/SSS
 DEBB802/33/PSS

steel ball bearing butt hinge brass plated*
 steel ball bearing butt hinge zinc plated
 steel ball bearing butt hinge RAL colour*
 SS ball bearing butt hinge sat. stainless steel
 SS ball bearing butt hinge pol. stainless steel

CE classification:

| | | | | | | | |
|---|---|---|---|---|---|---|---|
| 1 | 4 | 3 | 1 | 1 | 4 | 0 | 9 |
|---|---|---|---|---|---|---|---|

Dimensions:
 Door Weight:

76 x 76 x 2.2mm
 1 pr 60Kg

DEBB802/353/B
 DEBB802/353/ZP
 DEBB802/353/RAL
 DEBB802/353/SSS
 DEBB802/353/PSS

steel ball bearing butt hinge brass plated*
 steel ball bearing butt hinge zinc plated
 steel ball bearing butt hinge RAL colour*
 SS ball bearing butt hinge sat. stainless steel
 SS ball bearing butt hinge pol. stainless steel

CE classification:

| | | | | | | | |
|---|---|---|---|---|---|---|----|
| 2 | 7 | 3 | 1 | 1 | 4 | 0 | 10 |
|---|---|---|---|---|---|---|----|

Dimensions:
 Door Weight:

89 x 76 x 2.5mm
 1 pr 60Kg

DEBB802/3535/B
 DEBB802/3535/ZP
 DEBB802/3535/RAL
 DEBB802/3535/SSS
 DEBB802/3535/PSS

steel ball bearing butt hinge brass plated*
 steel ball bearing butt hinge zinc plated
 steel ball bearing butt hinge RAL colour*
 SS ball bearing butt hinge sat. stainless steel
 SS ball bearing butt hinge pol. stainless steel

CE classification:

| | | | | | | | |
|---|---|---|---|---|---|---|----|
| 2 | 7 | 3 | 1 | 1 | 4 | 0 | 10 |
|---|---|---|---|---|---|---|----|

Dimensions:
 Door Weight:

89 x 89 x 2.5mm
 1 pr 60Kg

DEBB802/43/B
 DEBB802/43/ZP
 DEBB802/43/RAL
 DEBB802/43/SSS
 DEBB802/43/PSS

steel ball bearing butt hinge brass plated*
 steel ball bearing butt hinge zinc plated
 steel ball bearing butt hinge RAL colour*
 SS ball bearing butt hinge sat. stainless steel
 SS ball bearing butt hinge pol. stainless steel

CE classification:

| | | | | | | | |
|---|---|---|---|---|---|---|----|
| 3 | 7 | 4 | 1 | 1 | 4 | 0 | 11 |
|---|---|---|---|---|---|---|----|

Dimensions:
 Door Weight:

102 x 76 x 3mm
 1 pr 80Kg

Stainless steel grade: SUS 304.

Pin: loose

Packaging: 1 / 100 pcs

Radius corners available - *(please specify)*

Supplied complete with fixing screws

* finishes may be subject to quantity



| | | |
|----------------|------|--|
| CI/SfB | | |
| 31/59 | Xt 7 | |
| September 2007 | | |



D&E DEBB802 ball bearing butt hinge - CE EN1935

DEBB802/435/B
 DEBB802/435/ZP
 DEBB802/435/RAL
 DEBB802/435/SSS
 DEBB802/435/PSS

steel ball bearing butt hinge brass plated*
 steel ball bearing butt hinge zinc plated
 steel ball bearing butt hinge RAL colour*
 SS ball bearing butt hinge sat. stainless steel
 SS ball bearing butt hinge pol. stainless steel

CE classification:

| | | | | | | | |
|---|---|---|---|---|---|---|----|
| 3 | 7 | 4 | 1 | 1 | 4 | 0 | 11 |
|---|---|---|---|---|---|---|----|

Dimensions:
 Door Weight:

102 x 89 x 3mm
 1 pr 80Kg

DEBB802/44/B
 DEBB802/44/ZP
 DEBB802/44/RAL
 DEBB802/44/SSS
 DEBB802/44/PSS

steel ball bearing butt hinge brass plated*
 steel ball bearing butt hinge zinc plated
 steel ball bearing butt hinge RAL colour*
 SS ball bearing butt hinge sat. stainless steel
 SS ball bearing butt hinge pol. stainless steel

CE classification:

| | | | | | | | |
|---|---|---|---|---|---|---|----|
| 3 | 7 | 4 | 1 | 1 | 4 | 0 | 11 |
|---|---|---|---|---|---|---|----|

Dimensions:
 Door Weight:

102 x 102 x 3mm
 1 pr 80Kg

Stainless steel grade: SUS 304.

Pin: loose

Packaging: 1 / 100 pcs

Radius corners available - *(please specify)*

Supplied complete with fixing screws

* finishes may be subject to quantity



| | | |
|---------------|------|--|
| CI/SfB | | |
| 31/59 | Xt 7 | |
| November 2011 | | |



D&E DE804 maintenance free butt hinge - CE EN1935

This German engineered hinge forms the first part of Breuer and Schmitz (BSW) flagship range. It is maintenance free, guaranteed for 25 years and is CE & EN accredited.

The DE804 hinge is supplied with the pin as a loose component. However once it is inserted into the knuckle it becomes fixed pin. The Non Removable Pin (NRP) models have additional security where the pin secured in place via a grub screw. This is not accessible when the hinge / door is closed.

| | | |
|------------------------|----------------------------|----------------------|
| <i>DE804NRP/43/SSS</i> | 4 x 3" butt hinge with NRP | sat. stainless steel |
| <i>DE804NRP/43/PSS</i> | 4 x 3" butt hinge with NRP | pol. stainless steel |
| <i>DE804NRP/43/GV</i> | 4 x 3" butt hinge with NRP | silver zinc plated |
| <i>DE804NRP/43/RAL</i> | 4 x 3" butt hinge with NRP | RAL* |

CE classification:

| | | | | | | | |
|---|---|---|---|---|---|---|----|
| 4 | 7 | 7 | 1 | 1 | 4 | 1 | 14 |
|---|---|---|---|---|---|---|----|

| | | |
|---------------------|-------------------|----------------------|
| <i>DE804/43/SSS</i> | 4 x 3" butt hinge | sat. stainless steel |
| <i>DE804/43/PSS</i> | 4 x 3" butt hinge | pol. stainless steel |
| <i>DE804/43/GV</i> | 4 x 3" butt hinge | silver zinc plated |
| <i>DE804/43/RAL</i> | 4 x 3" butt hinge | RAL* |

CE classification:

| | | | | | | | |
|---|---|---|---|---|---|---|----|
| 4 | 7 | 7 | 1 | 1 | 4 | 0 | 14 |
|---|---|---|---|---|---|---|----|

Dimensions: 102 x 76 x 3mm
 Door Weights: 1 pr 160Kg



| | | |
|-------------------------|-----------------------------|----------------------|
| <i>DE804NRP/435/SSS</i> | 4 x 3½" butt hinge with NRP | sat. stainless steel |
| <i>DE804NRP/435/PSS</i> | 4 x 3½" butt hinge with NRP | pol. stainless steel |
| <i>DE804NRP/435/GV</i> | 4 x 3½" butt hinge with NRP | silver zinc plated |
| <i>DE804NRP/435/RAL</i> | 4 x 3½" butt hinge with NRP | RAL* |

CE classification:

| | | | | | | | |
|---|---|---|---|---|---|---|----|
| 4 | 7 | 7 | 1 | 1 | 4 | 1 | 14 |
|---|---|---|---|---|---|---|----|

| | | |
|----------------------|--------------------|----------------------|
| <i>DE804/435/SSS</i> | 4 x 3½" butt hinge | sat. stainless steel |
| <i>DE804/435/PSS</i> | 4 x 3½" butt hinge | pol. stainless steel |
| <i>DE804/435/GV</i> | 4 x 3½" butt hinge | silver zinc plated |
| <i>DE804/435/RAL</i> | 4 x 3½" butt hinge | RAL* |

CE classification:

| | | | | | | | |
|---|---|---|---|---|---|---|----|
| 4 | 7 | 7 | 1 | 1 | 4 | 0 | 14 |
|---|---|---|---|---|---|---|----|

Dimensions: 102 x 89 x 3mm
 Door Weights: 1 pr 160Kg

D&E BSW butt hinge - CE EN1935

| | | |
|---------------|------|--|
| CI/SfB | | |
| 31/59 | Xt 7 | |
| November 2011 | | |



DE804NRP/44/SSS
DE804NRP/44/PSS
DE804NRP/44/GV
DE804NRP/44/RAL

4 x 4" butt hinge with NRP
4 x 4" butt hinge with NRP
4 x 4" butt hinge with NRP
4 x 4" butt hinge with NRP

sat. stainless steel
pol. stainless steel
silver zinc plated
RAL*

CE classification:

| | | | | | | | |
|---|---|---|---|---|---|---|----|
| 4 | 7 | 7 | 1 | 1 | 4 | 1 | 14 |
|---|---|---|---|---|---|---|----|

DE804/44/SSS
DE804/44/PSS
DE804/44/GV
DE804/44/RAL

4 x 4" butt hinge
4 x 4" butt hinge
4 x 4" butt hinge
4 x 4" butt hinge

sat. stainless steel
pol. stainless steel
silver zinc plated
RAL*

CE classification:

| | | | | | | | |
|---|---|---|---|---|---|---|----|
| 4 | 7 | 7 | 1 | 1 | 4 | 0 | 14 |
|---|---|---|---|---|---|---|----|

Dimensions:
Door Weight:

102 x 102 x 3mm
1 pr 160Kg



DE804NRP/454/SSS
DE804NRP/454/PSS
DE804NRP/454/GV
DE804NRP/454/RAL

4½ x 4" butt hinge with NRP
4½ x 4" butt hinge with NRP
4½ x 4" butt hinge with NRP
4½ x 4" butt hinge with NRP

sat. stainless steel
pol. stainless steel
silver zinc plated
RAL*

CE classification:

| | | | | | | | |
|---|---|---|---|---|---|---|----|
| 4 | 7 | 7 | 1 | 1 | 4 | 1 | 14 |
|---|---|---|---|---|---|---|----|

DE804/454/SSS
DE804/454/PSS
DE804/454/GV
DE804/454/RAL

4½ x 4" butt hinge
4½ x 4" butt hinge
4½ x 4" butt hinge
4½ x 4" butt hinge

sat. stainless steel
pol. stainless steel
silver zinc plated
RAL*

CE classification:

| | | | | | | | |
|---|---|---|---|---|---|---|----|
| 4 | 7 | 7 | 1 | 1 | 4 | 0 | 14 |
|---|---|---|---|---|---|---|----|

Dimensions:
Door Weights:

114 x 102 x 3mm
1 pr 160Kg

DE804NRP/4545/SSS
DE804NRP/4545/PSS
DE804NRP/4545/GV
DE804NRP/4545/RAL

4½ x 4½" butt hinge with NRP
4½ x 4½" butt hinge with NRP
4½ x 4½" butt hinge with NRP
4½ x 4½" butt hinge with NRP

sat. stainless steel
pol. stainless steel
silver zinc plated
RAL*

CE classification:

| | | | | | | | |
|---|---|---|---|---|---|---|----|
| 4 | 7 | 7 | 1 | 1 | 4 | 1 | 14 |
|---|---|---|---|---|---|---|----|

DE804/4545/SSS
DE804/4545/PSS
DE804/4545/GV
DE804/4545/RAL

4½ x 4½" butt hinge
4½ x 4½" butt hinge
4½ x 4½" butt hinge
4½ x 4½" butt hinge

sat. stainless steel
pol. stainless steel
silver zinc plated
RAL*

CE classification:

| | | | | | | | |
|---|---|---|---|---|---|---|----|
| 4 | 7 | 7 | 1 | 1 | 4 | 0 | 14 |
|---|---|---|---|---|---|---|----|

Dimensions:
Door Weights:

114 x 114 x 3mm
1 pr 160Kg

D&E BSW butt hinge - CE EN1935

| | | |
|---------------|------|--|
| CI/SfB | | |
| 31/59 | Xt 7 | |
| November 2011 | | |



DE804NRP/535/SSS
DE804NRP/535/PSS
DE804NRP/535/GV
DE804NRP/535/RAL

5 x 3½" butt hinge with NRP
5 x 3½" butt hinge with NRP
5 x 3½" butt hinge with NRP
5 x 3½" butt hinge with NRP

sat. stainless steel
pol. stainless steel
silver zinc plated
RAL*

CE classification:

| | | | | | | | |
|---|---|---|---|---|---|---|----|
| 4 | 7 | 7 | 1 | 1 | 1 | 1 | 14 |
|---|---|---|---|---|---|---|----|

DE804/535/SSS
DE804/535/PSS
DE804/535/GV
DE804/535/RAL

5 x 3½" butt hinge
5 x 3½" butt hinge
5 x 3½" butt hinge
5 x 3½" butt hinge

sat. stainless steel
pol. stainless steel
silver zinc plated
RAL*

CE classification:

| | | | | | | | |
|---|---|---|---|---|---|---|----|
| 4 | 7 | 7 | 1 | 1 | 4 | 0 | 14 |
|---|---|---|---|---|---|---|----|

Dimensions:

127x 89 x 3mm

Door Weights:

1 pr 160Kg



DE804NRP/54/SSS
DE804NRP/54/PSS
DE804NRP/54/GV
DE804NRP/54/RAL

5 x 4" butt hinge with NRP
5 x 4" butt hinge with NRP
5 x 4" butt hinge with NRP
5 x 4" butt hinge with NRP

sat. stainless steel
pol. stainless steel
silver zinc plated
RAL*

CE classification:

| | | | | | | | |
|---|---|---|---|---|---|---|----|
| 4 | 7 | 7 | 1 | 1 | 1 | 1 | 14 |
|---|---|---|---|---|---|---|----|

DE804/54/SSS
DE804/54/PSS
DE804/54/GV
DE804/54/RAL

5 x 4" butt hinge
5 x 4" butt hinge
5 x 4" butt hinge
5 x 4" butt hinge

sat. stainless steel
pol. stainless steel
silver zinc plated
RAL*

CE classification:

| | | | | | | | |
|---|---|---|---|---|---|---|----|
| 4 | 7 | 7 | 1 | 1 | 4 | 0 | 14 |
|---|---|---|---|---|---|---|----|

Dimensions:

127x 102 x 3mm

Door Weights:

1 pr 160Kg

DE804NRP/55/SSS
DE804NRP/55/PSS
DE804NRP/55/GV
DE804NRP/55/RAL

5 x 5" butt hinge with NRP
5 x 5" butt hinge with NRP
5 x 5" butt hinge with NRP
5 x 5" butt hinge with NRP

sat. stainless steel
pol. stainless steel
silver zinc plated
RAL*

CE classification:

| | | | | | | | |
|---|---|---|---|---|---|---|----|
| 4 | 7 | 7 | 1 | 1 | 1 | 1 | 14 |
|---|---|---|---|---|---|---|----|

DE804/55/SSS
DE804/55/PSS
DE804/55/GV
DE804NRP/55/GV

5 x 5" butt hinge
5 x 5" butt hinge
5 x 5" butt hinge
5 x 5" butt hinge

sat. stainless steel
pol. stainless steel
silver zinc plated
RAL*

CE classification:

| | | | | | | | |
|---|---|---|---|---|---|---|----|
| 4 | 7 | 7 | 1 | 1 | 4 | 0 | 14 |
|---|---|---|---|---|---|---|----|

Dimensions:

127 x 127 x 3mm

Door Weights:

1 pr 160Kg

Stainless steel grade:

AISI 304

Packaging:

1 / 100 pcs

Radius corners available - (please specify)

Guarantee period:

25 years

Supplied complete with stainless steel fixing screws

* RAL colours may be subject to a minimum order quantity or a setting up fee

Sales: 01733 896123

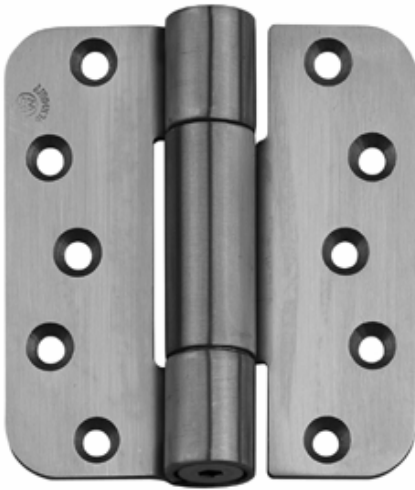


A-1013C

Fax: 01733 894466

E&OE

| | | |
|----------------|-------|------|
| CI/SfB | 31/59 | Xt 7 |
| September 2007 | | |



D&E heavy load concealed bearing butt hinge - CE EN1935

DE060-7/100/SSS
 DE060-7/100/PSS
 DE060-7/100/GV
 DE060-7/100/RAL
 DE060-7/100/B

concealed bearing butt hinge
 concealed bearing butt hinge
 concealed bearing butt hinge
 concealed bearing butt hinge
 concealed bearing butt hinge

sat. stainless steel
 pol. stainless steel
 zinc plated
 RAL colour*
 brass plated*

CE classification:

| | | | | | | | |
|---|---|---|---|---|---|---|----|
| 4 | 7 | 6 | 1 | 1 | 4 | 0 | 13 |
|---|---|---|---|---|---|---|----|

Max door weight:

130Kg

Dimensions:

high 100mm
 SS thickness 3mm
 knuckle diameter 20mm

SS grade:

SUS 304

Pin:

removable pin

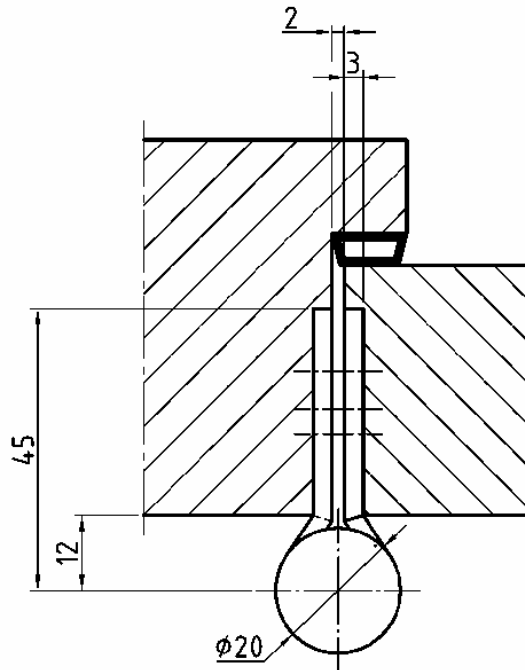
Packaging:

1 / 100 pcs

Radius corners

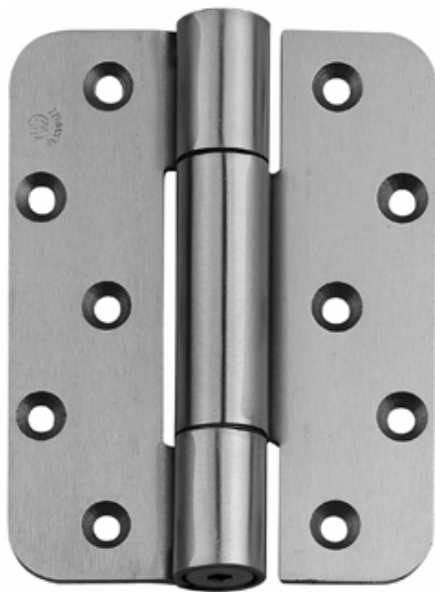
Supplied complete with stainless steel fixing screws

* finishes may be subject to quantity



Alternative heavy load hinges can be found in the Specialist Hinge section of this catalogue

| | | |
|----------------|------|--|
| CI/SfB | | |
| 31/59 | Xt 7 | |
| September 2007 | | |



D&E heavy load concealed bearing butt hinge - CE EN1935

DE060-7/120/SSS
 DE060-7/120/PSS
 DE060-7/120/GV
 DE060-7/120/RAL
 DE060-7/120/B

concealed bearing butt hinge
 concealed bearing butt hinge
 concealed bearing butt hinge
 concealed bearing butt hinge
 concealed bearing butt hinge

sat. stainless steel
 pol. stainless steel
 zinc plated
 RAL colour*
 brass plated*

CE classification:

| | | | | | | | |
|---|---|---|---|---|---|---|----|
| 4 | 7 | 6 | 1 | 1 | 4 | 0 | 13 |
|---|---|---|---|---|---|---|----|

Max door weight: 160Kg

Dimensions: high 120mm
 SS thickness 3mm
 knuckle diameter 20mm

SS grade: SUS 304

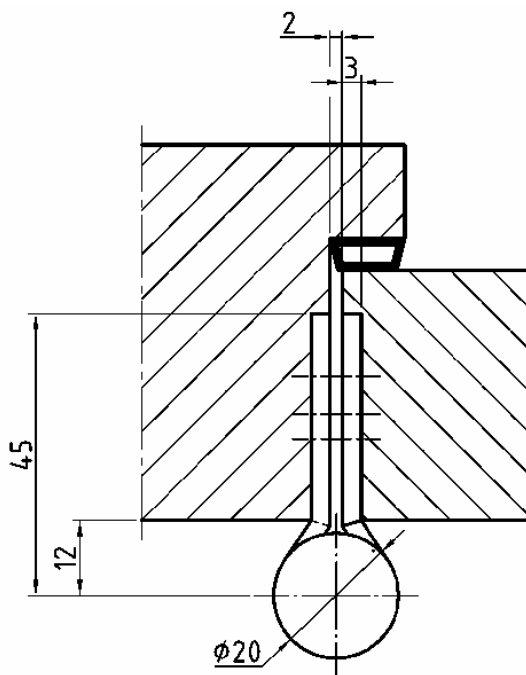
Pin: removable pin

Packaging: 1 / 100 pcs

Radius corners

Supplied complete with stainless steel fixing screws

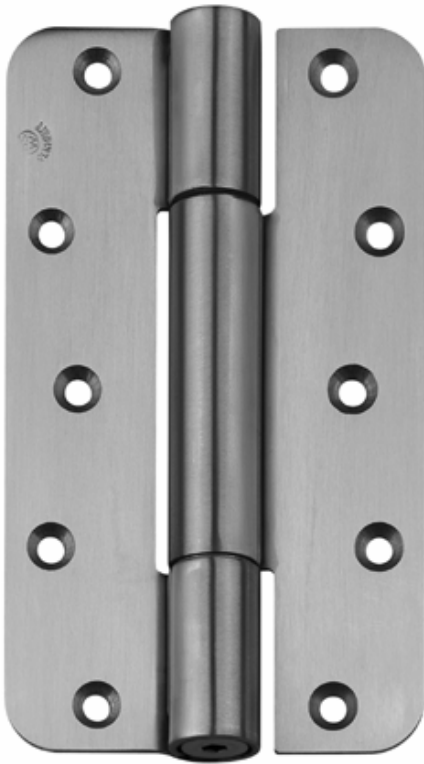
* finishes may be subject to quantity



Alternative heavy load hinges can be found in the Specialist Hinge section of this catalogue



| | | |
|----------------|------|--|
| CI/SfB | | |
| 31/59 | Xt 7 | |
| September 2007 | | |



D&E heavy load concealed bearing butt hinge - CE EN1935

DE060-7/160/SSS
 DE060-7/160/PSS
 DE060-7/160/GV
 DE060-7/160/RAL
 DE060-7/160/B

concealed bearing butt hinge
 concealed bearing butt hinge
 concealed bearing butt hinge
 concealed bearing butt hinge
 concealed bearing butt hinge

sat. stainless steel
 pol. stainless steel
 zinc plated
 RAL colour*
 brass plated*

CE classification:

| | | | | | | | |
|---|---|---|---|---|---|---|----|
| 4 | 7 | 7 | 1 | 1 | 4 | 0 | 14 |
|---|---|---|---|---|---|---|----|

Max door weight:

260Kg

Dimensions:

high 160mm
 SS thickness 3mm
 knuckle diameter 20mm

SS grade:

SUS 304

Pin:

removable pin

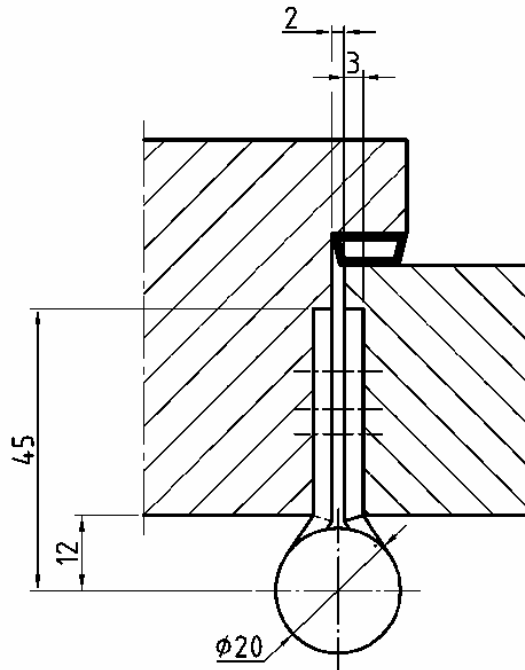
Packaging:

1 / 100 pcs

Radius corners

Supplied complete with stainless steel fixing screws

* finishes may be subject to quantity



Alternative heavy load hinges can be found in the Specialist Hinge section of this catalogue



| | | |
|----------------|------|--|
| CI/SfB | | |
| 31/59 | Xt 7 | |
| September 2007 | | |



D&E DEBB807 ball bearing butt hinge - CE EN1935

| | | |
|-------------------------|--------------------------|----------------------|
| <i>DEBB807/33/SSS/L</i> | lift off butt hinge - LH | sat. stainless steel |
| <i>DEBB807/33/SSS/R</i> | lift off butt hinge - RH | sat. stainless steel |
| <i>DEBB807/33/PSS/L</i> | lift off butt hinge - LH | pol. stainless steel |
| <i>DEBB807/33/PSS/R</i> | lift off butt hinge - RH | pol. stainless steel |

CE classification:

| | | | | | | | |
|---|---|---|---|---|---|---|----|
| 2 | 7 | 3 | 1 | 1 | 4 | 0 | 10 |
|---|---|---|---|---|---|---|----|

Dimensions: 75 x 75 x 3mm
 Door Weights: 1 pr 60Kg

| | | |
|---------------------------|--------------------------|----------------------|
| <i>DEBB807/3535/SSS/L</i> | lift off butt hinge - LH | sat. stainless steel |
| <i>DEBB807/3535/SSS/R</i> | lift off butt hinge - RH | sat. stainless steel |
| <i>DEBB807/3535/PSS/L</i> | lift off butt hinge - LH | pol. stainless steel |
| <i>DEBB807/3535/PSS/R</i> | lift off butt hinge - RH | pol. stainless steel |

CE classification:

| | | | | | | | |
|---|---|---|---|---|---|---|----|
| 4 | 7 | 5 | 1 | 1 | 4 | 0 | 12 |
|---|---|---|---|---|---|---|----|

Dimensions: 89 x 89 x 3mm
 Door Weights: 1 pr 100Kg



| | | |
|--------------------------|--------------------------|----------------------|
| <i>DEBB807/355/SSS/L</i> | lift off butt hinge - LH | sat. stainless steel |
| <i>DEBB807/355/SSS/R</i> | lift off butt hinge - RH | sat. stainless steel |
| <i>DEBB807/355/PSS/L</i> | lift off butt hinge - LH | pol. stainless steel |
| <i>DEBB807/355/PSS/R</i> | lift off butt hinge - RH | pol. stainless steel |

CE classification:

| | | | | | | | |
|---|---|---|---|---|---|---|----|
| 2 | 7 | 3 | 1 | 1 | 4 | 0 | 10 |
|---|---|---|---|---|---|---|----|

Dimensions: 89 x 127 x 3mm
 Door Weights: 1 pr 60Kg

| | | |
|--------------------------|--------------------------|----------------------|
| <i>DEBB807/356/SSS/L</i> | lift off butt hinge - LH | sat. stainless steel |
| <i>DEBB807/356/SSS/R</i> | lift off butt hinge - RH | sat. stainless steel |
| <i>DEBB807/356/PSS/L</i> | lift off butt hinge - LH | pol. stainless steel |
| <i>DEBB807/356/PSS/R</i> | lift off butt hinge - RH | pol. stainless steel |

CE classification:

| | | | | | | | |
|---|---|---|---|---|---|---|---|
| 2 | 7 | 2 | 1 | 1 | 4 | 0 | 7 |
|---|---|---|---|---|---|---|---|

Dimensions: 89 x 152 x 3mm
 Door Weights: 1 pr 40Kg

Stainless steel grade: SUS 304.

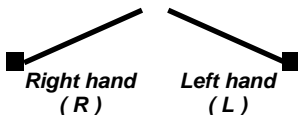
Pin: ball bearing pin

Packaging: 1 / 100 pcs

Supplied handed

Radius corners available - (please specify)

Supplied complete with fixing screws



| | | |
|----------------|------|--|
| CI/SfB | | |
| 31/59 | Xt 7 | |
| September 2007 | | |



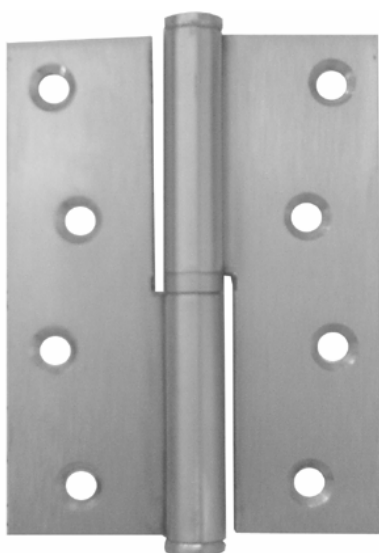
D&E DEBB807 ball bearing butt hinge - CE EN1935

| | | |
|-------------------------|--------------------------|----------------------|
| <i>DEBB807/44/SSS/L</i> | lift off butt hinge - LH | sat. stainless steel |
| <i>DEBB807/44/SSS/R</i> | lift off butt hinge - RH | sat. stainless steel |
| <i>DEBB807/44/PSS/L</i> | lift off butt hinge - LH | pol. stainless steel |
| <i>DEBB807/44/PSS/R</i> | lift off butt hinge - RH | pol. stainless steel |

CE classification:

| | | | | | | | |
|---|---|---|---|---|---|---|----|
| 4 | 7 | 5 | 1 | 1 | 4 | 0 | 12 |
|---|---|---|---|---|---|---|----|

Dimensions: 100 x 100 x 3mm
 Door Weights: 1 pr 100Kg



D&E DEBB801 stainless steel lift off butt hinge

| | | |
|-------------------------|---------------------|----------------------|
| <i>DEBB801/43/SSS/L</i> | lift off hinge - LH | sat. stainless steel |
| <i>DEBB801/43/SSS/R</i> | lift off hinge - RH | sat. stainless steel |

Stainless steel grade: SUS 304.

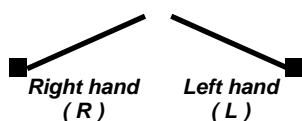
Dimensions: 102 x 76 x 2.5mm

Door Weights: 1 pr 36Kg

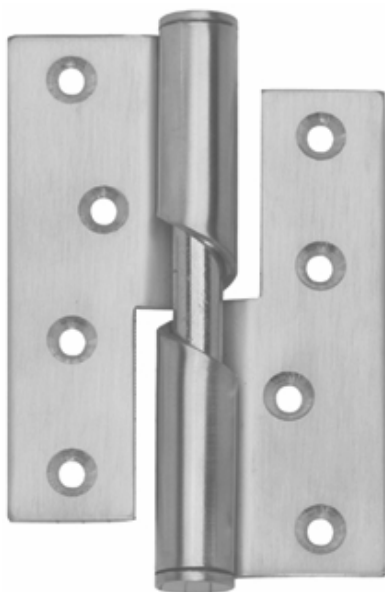
Packaging: 1 / 100 pcs

Supplied handed

Supplied complete with stainless steel fixing screws



| | | |
|----------------|------|--|
| CI/SfB | | |
| 31/59 | Xt 7 | |
| September 2007 | | |



D&E DEBB801A rising butt hinge

DEBB801A/43/SSS/L rising butt hinge - LH sat. stainless steel
DEBB801A/43/SSS/R rising butt hinge - RH sat. stainless steel

DEBB801A/43/PSS/L rising butt hinge - LH pol. stainless steel
DEBB801A/43/PSS/R rising butt hinge - RH pol. stainless steel

CE classification:

| | | | | | | | |
|---|---|---|---|---|---|---|---|
| 2 | 7 | 2 | 1 | 1 | 4 | 0 | 7 |
|---|---|---|---|---|---|---|---|

Dimensions: 102 x 75 x 3mm

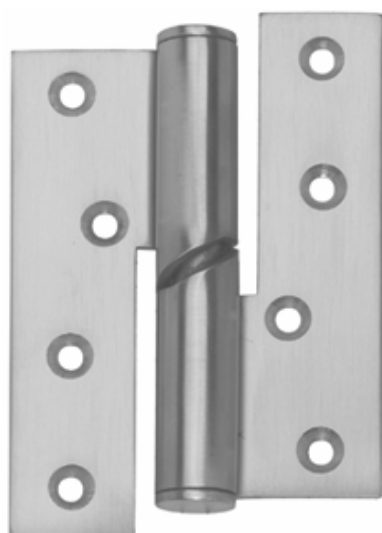
Door Weights: 1 pr 40Kg

Stainless steel grade: SUS 304.

Packaging: 1 / 100 pcs

Supplied handed

Supplied complete with stainless steel fixing screws



D&E DEBB801B falling butt hinge

DEBB801B/43/SSS/L falling butt hinge - LH sat. stainless steel
DEBB801B/43/SSS/R falling butt hinge - RH sat. stainless steel

DEBB801B/43/PSS/L falling butt hinge - LH pol. stainless steel
DEBB801B/43/PSS/R falling butt hinge - RH pol. stainless steel

CE classification:

| | | | | | | | |
|---|---|---|---|---|---|---|---|
| 2 | 7 | 2 | 1 | 1 | 4 | 0 | 7 |
|---|---|---|---|---|---|---|---|

Dimensions: 102 x 75 x 3mm

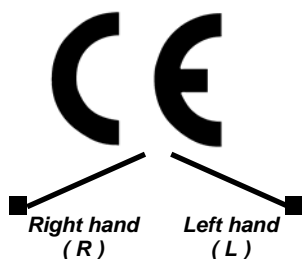
Door Weights: 1 pr 40Kg

Stainless steel grade: SUS 304.

Packaging: 1 / 100 pcs

Supplied handed

Supplied complete with stainless steel fixing screws



| | | |
|----------------|------|--|
| CI/SfB | | |
| 31/59 | Xt 7 | |
| September 2007 | | |

D&E DEBB807KRD storm proof butt hinge

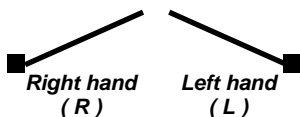


| | | |
|--|------------------------|----------------------|
| <i>DEBB807KRD/35/SSS/L</i> | storm proof hinge - LH | sat. stainless steel |
| <i>DEBB807KRD/35/SSS/R</i> | storm proof hinge - RH | sat. stainless steel |
| Dimensions: | 89 x 3mm | |
| Door Weights: | 1 pr 100Kg | |
| Packaging: | 1 / 100 pcs | |
| Supplied handed | | |
| Supplied complete with stainless steel fixing screws | | |

D&E stainless steel lift off storm proof hinge



| | | |
|--|------------------------|----------------------|
| <i>DEBB821/3/SSS/L</i> | storm proof hinge - LH | sat. stainless steel |
| <i>DEBB821/3/SSS/R</i> | storm proof hinge - RH | sat. stainless steel |
| Dimensions: | 76 x 2.5mm | |
| Door Weights: | 1 pr 24Kg | |
| <i>DEBB821/35/SSS/L</i> | storm proof hinge - LH | sat. stainless steel |
| <i>DEBB821/35/SSS/R</i> | storm proof hinge - RH | sat. stainless steel |
| Dimensions: | 89 x 2.5mm | |
| Door Weights: | 1 pr 30Kg | |
| <i>DEBB821/4/SSS/L</i> | storm proof hinge - LH | sat. stainless steel |
| <i>DEBB821/4/SSS/R</i> | storm proof hinge - RH | sat. stainless steel |
| Dimensions: | 102 x 2.5mm | |
| Door Weights: | 1 pr 36Kg | |
| Stainless steel grade: | SUS 304. | |
| Pin: | fixed ball bearing pin | |
| Packaging: | 1 / 100 pcs | |
| Supplied handed | | |
| Supplied complete with stainless steel fixing screws | | |



| | | | |
|-----------|----|--|--|
| CI/SfB | | | |
| 31 | 49 | | |
| July 2016 | | | |



D&E Liobex compact single action spring hinge

The D&E Liobex compact range has an enclosed body to reduce the risk of vandalism. This unique fixing method makes it suitable for environments where security and reliability are essential.

DELSA03 75mm / 3" s/a spring hinge silver
DELSA03SS 75mm / 3" s/a spring hinge sat. stainless steel

Door width: 650mm
 Door thickness: 20 - 25mm
 Max. door weight: 10Kgs
 Packaging: 1pr

DELSA04 100mm / 4" s/a spring hinge silver
DELSA04SS 100mm / 4" s/a spring hinge sat. stainless steel

Door width: 700mm
 Door thickness: 21 - 30mm
 Max. door weight: 15Kgs
 Packaging: 1pr

DELSA05 125mm / 5" s/a spring hinge silver
DELSA05SS 125mm / 5" s/a spring hinge sat. stainless steel

Door width: 780mm
 Door thickness: 25 - 35mm
 Max. door weight: 25Kgs
 Packaging: 1pr

DELSA06 150mm / 6" s/a spring hinge silver
DELSA06SS 150mm / 6" s/a spring hinge sat. stainless steel

Door width: 850mm
 Door thickness: 25 - 40mm
 Max. door weight: 35Kgs
 Packaging: 1pr

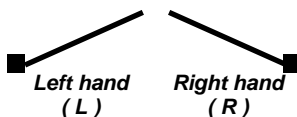
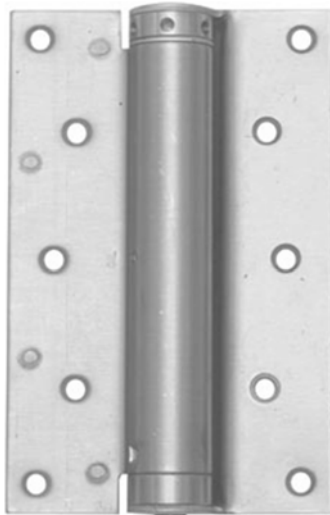
DELSA07L 175mm / 7" s/a spring hinge - LH silver
DELSA07R 175mm / 7" s/a spring hinge - RH silver

Door width: 920mm
 Door thickness: 33 - 50mm
 Max. door weight: 45Kgs
 Packaging: 1pr

DELSA08L 200mm / 8" s/a spring hinge - LH silver
DELSA08R 200mm / 8" s/a spring hinge - RH silver

Door width: 1000mm
 Door thickness: 35 - 55mm
 Max. door weight: 55Kgs
 Packaging: 1pr

Dimensions & other technical information can be found on pages B-1003 to B-1005



D&E Liobex single action spring hinge

| | | | |
|-----------|----|--|--|
| CI/SfB | | | |
| 31 | 49 | | |
| July 2016 | | | |



D&E Liobex 'décor' single action spring hinge

The D&E Liobex 'décor' range has decorative end caps at the top and bottom of the barrel. It is a must for applications where aesthetics and reliability are essential.

| | | |
|------------------|-----------------------------|--------------------|
| <i>DELSA04B</i> | 100mm / 4" s/a spring hinge | brass plated |
| <i>DELSA04PC</i> | 100mm / 4" s/a spring hinge | pol. chrome plated |

Door width: 700mm
 Door thickness: 21 - 30mm
 Max. door weight: 20Kgs
 Packaging: 1pr

| | | |
|-----------------|-----------------------------|--------------|
| <i>DELSA06B</i> | 150mm / 6" s/a spring hinge | brass plated |
|-----------------|-----------------------------|--------------|

Door width: 850mm
 Door thickness: 25 - 40mm
 Max. door weight: 40Kgs
 Packaging: 1pr



| | | |
|--------------------|----------------------------------|--------------------|
| <i>DELSA07L/B</i> | 175mm / 7" s/a spring hinge - LH | brass plated |
| <i>DELSA07R/B</i> | 175mm / 7" s/a spring hinge - RH | brass plated |
| <i>DELSA07L/PC</i> | 175mm / 7" s/a spring hinge - LH | pol. chrome plated |
| <i>DELSA07R/PC</i> | 175mm / 7" s/a spring hinge - RH | pol. chrome plated |

Door width: 920mm
 Door thickness: 33 - 50mm
 Max. door weight: 50Kgs
 Packaging: 1pr

| | | |
|--------------------|----------------------------------|--------------------|
| <i>DELSA08L/B</i> | 200mm / 8" s/a spring hinge - LH | brass plated |
| <i>DELSA08R/B</i> | 200mm / 8" s/a spring hinge - RH | brass plated |
| <i>DELSA08R/PC</i> | 200mm / 8" s/a spring hinge - RH | pol. chrome plated |

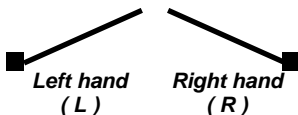
Door width: 1000mm
 Door thickness: 35 - 55mm
 Max. door weight: 70Kgs
 Packaging: 1pr

Dimensions & other technical information can be found on pages B-1003 to B-1005

These Are A Discontinued Item

**The listed finishes and sizes
 Indicate that we have stock at the time of
 catalogue production**

**Please contact a member of the
 Sales Team
 for stock availability**



Sales: 01733 896123



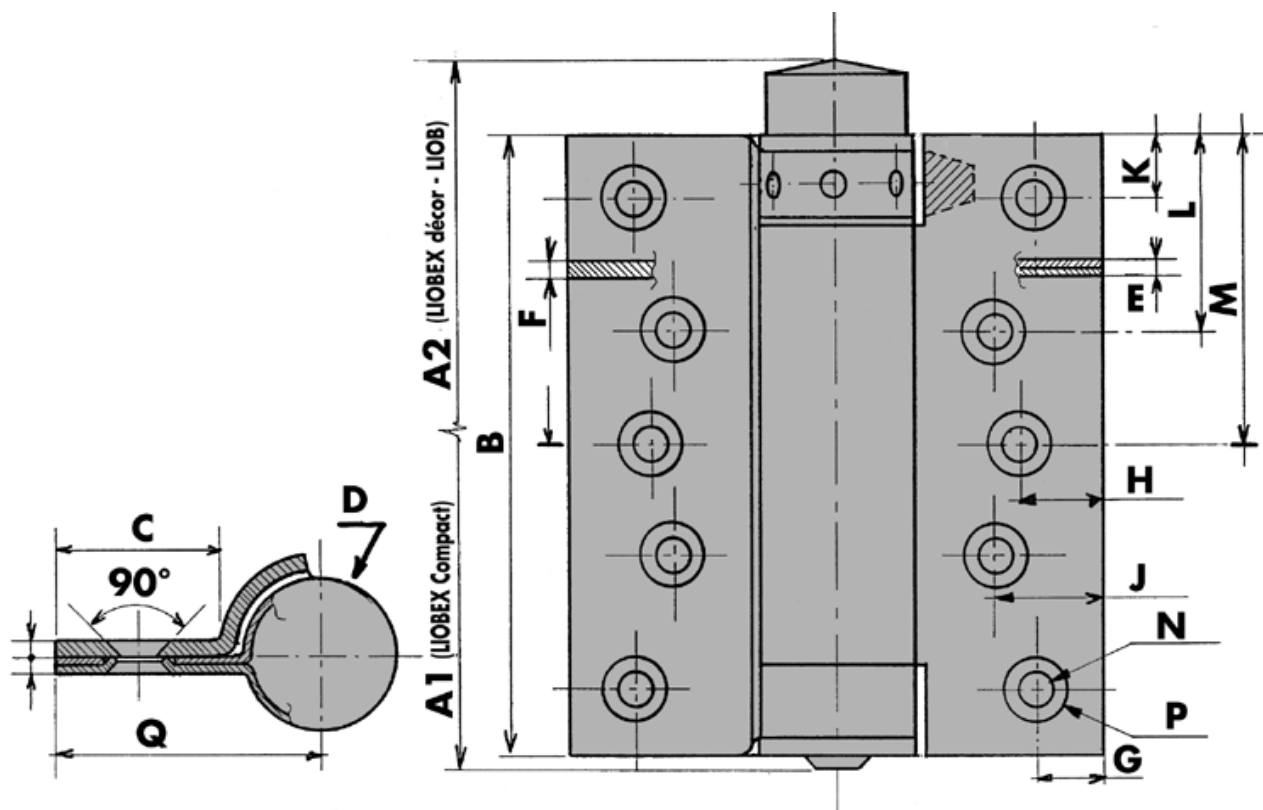
B-1002

Fax: 01733 894466

E&OE

D&E Liobex single action spring hinge

| | | | |
|-----------|----|--|--|
| CI/SfB | | | |
| 31 | 49 | | |
| July 2016 | | | |



| | A1 | A2 | B | C | D | E | F | G | H | J | K | L | M | N | P | Q |
|---------------------|-----|-----|-----|----|------|-----|-----|----|----|----|-----|----|-----|-----|----|-------|
| DELSA03 / 0 | 78 | 95 | 75 | 20 | 19 | 2 | 2 | 7 | | 13 | 8 | 24 | | 5.5 | 8 | 34.5 |
| DELSA04 / 1 | 103 | 120 | 100 | 23 | 21 | 2 | 2 | 9 | | 15 | 9.5 | 28 | | 5.5 | 8 | 37.5 |
| DELSA05 / 5 | 128 | 147 | 125 | 28 | 22.5 | 2.4 | 2 | 9 | | 20 | 9.5 | 36 | 63 | 5.5 | 8 | 44.5 |
| DELSA06 / 9 | 153 | 171 | 150 | 30 | 25 | 3 | 2.5 | 9 | 14 | 20 | 9 | 37 | 75 | 5.5 | 9 | 48.25 |
| DELSA07 / 13 | 179 | 203 | 175 | 38 | 29 | 3.6 | 3.5 | 10 | 17 | 25 | 15 | 50 | 88 | 7 | 12 | 57.5 |
| DELSA08 / 17 | 203 | 228 | 200 | 42 | 33 | 4 | 4 | 10 | 18 | 30 | 16 | 57 | 100 | 7 | 12 | 64 |

Other finishes (RAL colours etc...) are available to order - (a surcharge may apply).

The spring mechanism and tension retaining pins are manufactured from stainless steel.

Reverse springing (hold open) models are available to order.

Sales: 01733 896123



B-1003

Fax: 01733 894466

E&OE

D&E Liobex single action spring hinge

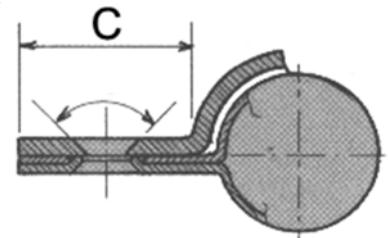
| | | | |
|-----------|----|--|--|
| CI/SfB | | | |
| 31 | 49 | | |
| July 2016 | | | |

| Characteristics common to all the Liobex hinge models | | | | | | | |
|---|------------------|--------------|--------------|--------------|--------------|--------------|--------------|
| | Model No. | LSA03 | LSA04 | LSA05 | LSA06 | LSA07 | LSA08 |
| Height of Leaf | mm | 75 | 100 | 125 | 150 | 175 | 200 |
| | inch | 3 | 4 | 5 | 6 | 7 | 8 |
| To suit door thickness | mm | 20 - 25 | 21 - 30 | 25 - 35 | 25 - 40 | 33 - 50 | 35 - 55 |
| To suit max door width | mm | 650 | 700 | 780 | 850 | 920 | 1000 |
| Characteristics specific to the Liobex Compact range | | | | | | | |
| Weight of the hinge - pair | Kg | 0.390 | 0.580 | 0.850 | 1.290 | 1.765 | 2.530 |
| Max torque at 90° - per hinge | daN | 0.250 | 0.350 | 0.500 | 0.700 | 0.850 | 1.200 |
| Max weight of door - per pair | Kg | 10 | 15 | 25 | 35 | 45 | 55 |
| Fixing screws recommended - Countersunk Screw | | 4 x 20 | 4 x 20 | 4 x 25 | 4.5 x 25 | 6 x 30 | 6 x 30 |
| Characteristics specific to Liobex 'décor' range - with end caps | | | | | | | |
| Weight of hinge - per pair | Kg | 0.625 | 0.870 | 1.390 | 1.970 | 2.675 | 3.840 |
| Max torque at 90° - per hinge | daN | 0.400 | 0.500 | 0.600 | 0.950 | 1.000 | 1.400 |
| Max weight of door - per pair | Kg | 12 | 20 | 30 | 40 | 50 | 70 |
| Fixing screws recommended - Countersunk Screw | | 4 x 20 | 4 x 25 | 4.5 x 25 | 5 x 25 | 6 x 30 | 6 x 30 |

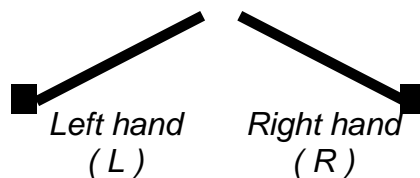
| | | | |
|----------------|----|--|--|
| CI/SfB | | | |
| 31 | 49 | | |
| September 2007 | | | |

Installation of Liobex single action spring hinges

To install Liobex Single Action Spring Hinges it may be necessary to fix a plant down the hanging frame. The width of the plant should be sufficient to provide a bearing surface for the flanged face (C) of the hinge. The thickness of the plant should be sufficient to allow the hinge cylinder to rotate freely after the leaf has been morticed into the door, ensuring that the cylinder is free to rotate and that standard door / plant clearance is maintained.



Liobex Single Action Hinges up to 6" are supplied in right hand configuration only, the capstan being at the top of the hinge. For left hand doors the capstan is set at the bottom. 7" and 8" are supplied handed and should be fitted accordingly with the capstan at the top in both instances.



Normal installation should be 250mm from the top and bottom of the door. In the event of a door being oversize, a third hinge may be fitted 100mm below the top hinge. Care must be taken that the centre line of the hinges is in alignment.

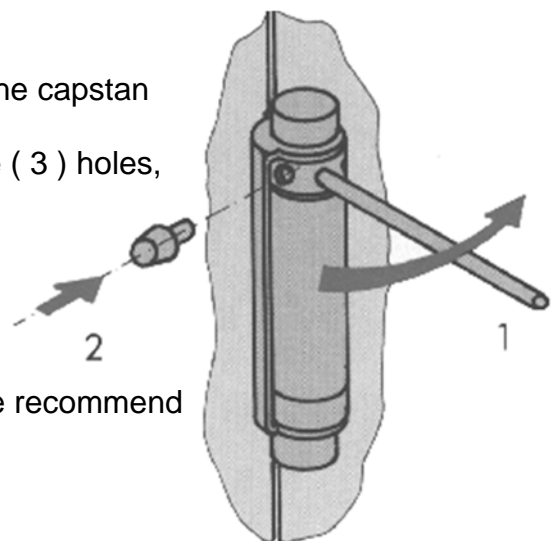
Adjustment

Normal operation of the hinge is achieved by tightening the capstan on each hinge and inserting the pin provided. Normally the top hinge(s) will not require more than three (3) holes, and the bottom Hinge two (2) holes.

DO NOT OVERTIGHTEN THE CAPSTANS

Maintenance

Liobex Spring Hinges are lubricated before despatch. We recommend annual lubrication to maintain trouble free operation.



| | | |
|-----------|----|--|
| CI/SfB | | |
| 31 | 49 | |
| July 2016 | | |

D&E Liobex compact double action spring hinge

The D&E Liobex compact range has an enclosed body to reduce the risk of vandalism. This unique fixing method makes it suitable for environments where security and reliability are essential.



| | | |
|------------------|----------------------------|----------------------|
| <i>DELDA03</i> | 75mm / 3" d/a spring hinge | silver |
| <i>DELDA03SS</i> | 75mm / 3" d/a spring hinge | sat. stainless steel |

Door width: 650mm
 Door thickness: 20 - 25mm
 Max. door weight: 10Kgs
 Packaging: 1pr

| | | |
|------------------|-----------------------------|----------------------|
| <i>DELDA04</i> | 100mm / 4" d/a spring hinge | silver |
| <i>DELDA04SS</i> | 100mm / 4" d/a spring hinge | sat. stainless steel |

Door width: 700mm
 Door thickness: 21 - 30mm
 Max. door weight: 15Kgs
 Packaging: 1pr

DELDA04 / 100mm version is recommended by the 'Muscular Dystrophy Campaign' through their adaptations manual, for use on internal doors.



| | | |
|------------------|-----------------------------|----------------------|
| <i>DELDA05</i> | 125mm / 5" d/a spring hinge | silver |
| <i>DELDA05SS</i> | 125mm / 5" d/a spring hinge | sat. stainless steel |

Door width: 780mm
 Door thickness: 25 - 35mm
 Max. door weight: 25Kgs
 Packaging: 1pr

| | | |
|------------------|-----------------------------|----------------------|
| <i>DELDA06</i> | 150mm / 6" d/a spring hinge | silver |
| <i>DELDA06SS</i> | 150mm / 6" d/a spring hinge | sat. stainless steel |

Door width: 850mm
 Door thickness: 25 - 44mm
 Max. door weight: 35Kgs
 Packaging: 1pr

FIRE RATED MODEL - 30 minutes - BS EN 1634-1:2008

Supplied as a set consists of a pack of 3 hinges complete with the intumescent for 30 minute fire doors

| | | |
|-----------------------|-------------------------------|----------------------|
| <i>DELDA06 EI30</i> | 150mm / 6" d/a 30 mins FR set | silver |
| <i>DELDA06SS EI30</i> | 150mm / 6" d/a 30 mins FR set | sat. stainless steel |

Door width: 850mm
 Door thickness: 25 - 44mm
 Max. door weight: 40Kgs
 Packaging: 3 hinges plus intumescent

Dimensions & other technical information can be found on pages B-1009 to B-1011



| | | | |
|-----------|----|--|--|
| CI/SfB | | | |
| 31 | 49 | | |
| July 2016 | | | |



D&E Liobex compact double action spring hinge

The D&E Liobex compact range has an enclosed body to reduce the risk of vandalism. This unique fixing method makes it suitable for environments where security and reliability are essential.

DELDA07 175mm / 7" d/a spring hinge silver
 DELDA07SS 175mm / 7" d/a spring hinge sat. stainless steel

Door width: 920mm
 Door thickness: 33 - 50mm
 Max. door weight: 45Kgs
 Packaging: 1pr

DELDA08 200mm / 8" d/a spring hinge silver
 DELDA08SS 200mm / 8" d/a spring hinge sat. stainless steel

FIRE RATED MODEL - 60 minutes - BS EN 1634-1:2008

Supplied as a set consists of a pack of 2 hinges complete with the intumescents for 60 minute fire doors

DELDA08 EI60 200mm / 8" d/a 60 mins FR set silver
 DELDA08SS EI60 200mm / 8" d/a 60 mins FR set sat. stainless steel

Door width: 1000mm
 Door thickness: 35 - 55mm
 Max. door weight: 55Kgs
 Packaging: 1pr



Dimensions & other technical information can be found on pages B-1009 to B-1011

DELDA04 / 100mm version is recommended by the 'Muscular Dystrophy Campaign' through their adaptations manual, for use on internal doors.

DELDA06 EI30 - Supplied as a set consists of a pack of 3 hinges complete with the intumescents for 30 minute fire doors

DELDA08 EI60 - Supplied as a set consists of a pack of 2 hinges complete with the intumescents for 60 minute fire doors



DELDA06 EI30



| | | | |
|-----------|----|--|--|
| CI/SfB | | | |
| 31 | 49 | | |
| July 2016 | | | |



D&E Liobex 'décor' double action spring hinge

The D&E Liobex 'décor' range has decorative end caps at the top and bottom of the barrel. It is a must for applications where aesthetics and reliability are essential.

DELDA03B 75mm / 3" d/a spring hinge brass plated
DELDA03PC 75mm / 3" d/a spring hinge pol. chrome plated

Door width: 650mm
 Door thickness: 20 - 25mm
 Max. door weight: 12Kgs
 Packaging: 1pr

DELDA04B 100mm / 4" d/a spring hinge brass plated

Door width: 700mm
 Door thickness: 21 - 30mm
 Max. door weight: 20Kgs
 Packaging: 1pr



DELDA05B 125mm / 5" d/a spring hinge brass plated
DELDA05PC 125mm / 5" d/a spring hinge pol. chrome plated

Door width: 780mm
 Door thickness: 25 - 35mm
 Max. door weight: 30Kgs
 Packaging: 1pr

DELDA07PC 175mm / 7" d/a spring hinge pol. chrome plated

Door width: 920mm
 Door thickness: 33 - 50mm
 Max. door weight: 50Kgs
 Packaging: 1pr

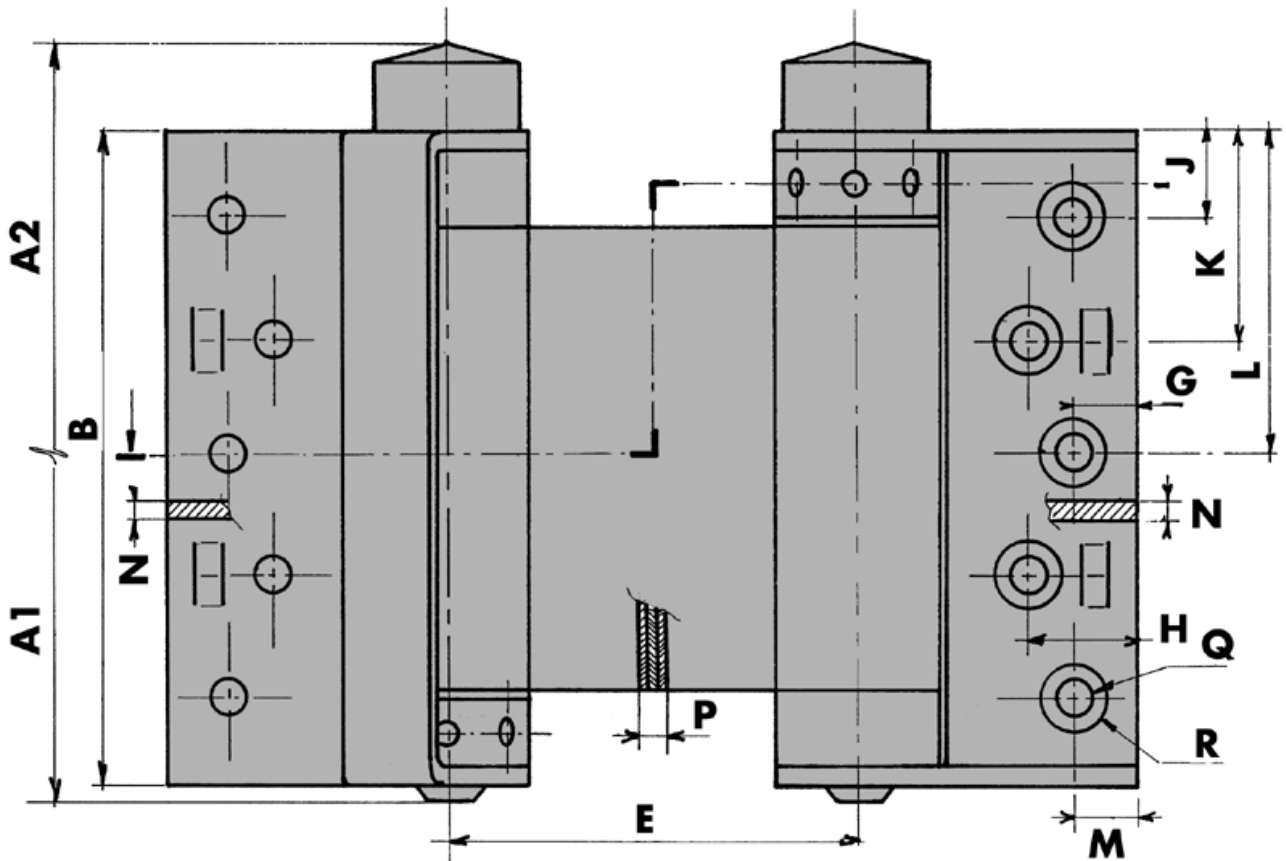
Dimensions & other technical information can be found on pages B-1009 to B-1011

DELDA04 / 100mm version is recommended by the 'Muscular Dystrophy Campaign' through their adaptations manual, for use on internal doors.

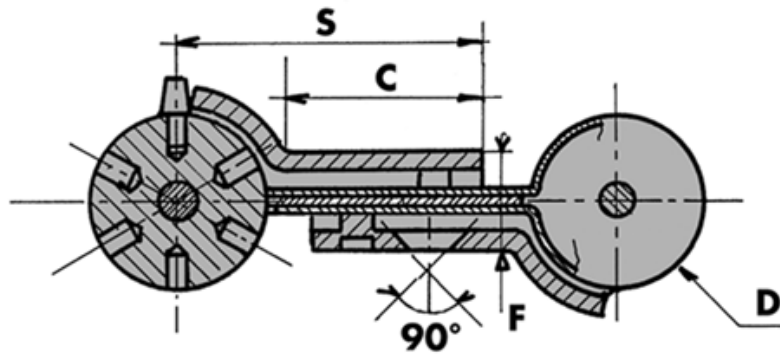
DELDA06 EI30 - Supplied as a set consists of a pack of 3 hinges complete with the intumescent for 30 minute fire doors

DELDA08 EI60 - Supplied as a set consists of a pack of 2 hinges complete with the intumescent for 60 minute fire doors

| | | | |
|-----------|----|--|--|
| CI/SfB | | | |
| 31 | 49 | | |
| July 2016 | | | |



G : EXCEPT HINGES - LDA03 & LDA04



| | A1 | A2 | B | C | D | E | F | G | H | J | K | L | M | N | P | Q | R | S |
|---------------------|-----|-----|-----|----|------|------|------|------|------|----|------|------|----|-----|-----|-----|----|------|
| DELDA03 / 29 | 78 | 95 | 75 | 20 | 19 | 47 | 11 | 7.5 | 12.5 | 10 | 24 | | | 2 | 3 | 5.5 | 8 | 33 |
| DELDA04 / 30 | 103 | 120 | 100 | 25 | 21 | 54 | 11 | 8 | 16 | 11 | 27 | | | 2 | 3 | 5.5 | 8 | 40 |
| DELDA05 / 33 | 128 | 147 | 125 | 30 | 22.5 | 62.5 | 12.5 | 11 | 21 | 12 | 35 | 62.5 | | 2 | 3.9 | 5.5 | 8 | 45 |
| DELDA06 / 36 | 153 | 172 | 150 | 35 | 25 | 70 | 14.5 | 17 | 22 | 14 | 37 | 75 | 10 | 2.5 | 4.5 | 5.5 | 8 | 52 |
| DELDA07 / 39 | 179 | 203 | 175 | 40 | 29 | 78 | 16.5 | 18.5 | 29 | 15 | 42.5 | 87.5 | 11 | 3 | 5.4 | 7 | 11 | 59 |
| DELDA08 / 42 | 202 | 228 | 198 | 45 | 32 | 85 | 17 | 23.5 | 34 | 14 | 43 | 99 | 11 | 3 | 6 | 7.2 | 11 | 65.5 |

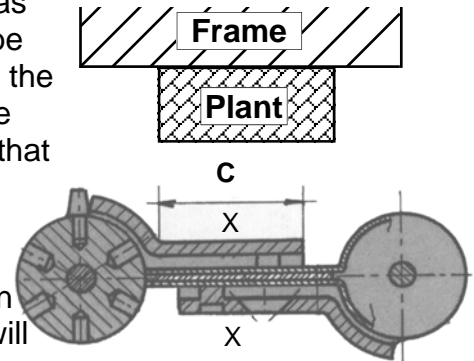
| | | | |
|-----------|----|--|--|
| CI/SfB | | | |
| 31 | 49 | | |
| July 2016 | | | |

| Characteristics common to all the Liobex hinge models | | | | | | | |
|---|------------------|--------------|--------------|--------------|--------------|--------------|--------------|
| | Model No. | LDA03 | LDA04 | LDA05 | LDA06 | LDA07 | LDA08 |
| Height of Leaf | mm | 75 | 100 | 125 | 150 | 175 | 200 |
| | inch | 3 | 4 | 5 | 6 | 7 | 8 |
| To suit door thickness | mm | 20 - 25 | 21 - 30 | 25 - 35 | 25 - 40 | 33 - 50 | 35 - 55 |
| To suit max door width | mm | 650 | 700 | 780 | 850 | 920 | 1000 |
| Characteristics specific to the Liobex Compact range | | | | | | | |
| Weight of the hinge - pair | Kg | 0.75 | 1.120 | 1.620 | 2.510 | 3.670 | 4.850 |
| Max torque at 90° - per hinge | daN | 0.250 | 0.350 | 0.500 | 0.700 | 0.850 | 1.200 |
| Max weight of door - per pair | Kg | 10 | 15 | 25 | 35 | 45 | 55 |
| Fixing screws recommended - Countersunk Screw | | 4 x 20 | 4 x 20 | 4 x 25 | 4.5 x 25 | 6 x 30 | 6 x 30 |
| Characteristics specific to Liobex 'décor' range - with end caps | | | | | | | |
| Weight of the hinge - pair | Kg | 1.070 | 1.680 | 2.400 | 3.310 | 4.850 | 6.370 |
| Max torque at 90° - per hinge | daN | 0.400 | 0.500 | 0.600 | 0.950 | 1.000 | 1.400 |
| Max weight of door - per pair | Kg | 12 | 20 | 30 | 40 | 50 | 70 |
| Fixing screws recommended - Countersunk Screw | | 4 x 20 | 4 x 25 | 4.5 x 25 | 5 x 25 | 6 x 30 | 6 x 30 |

| | | | |
|-----------|----|--|--|
| CI/SfB | | | |
| 31 | 49 | | |
| July 2016 | | | |

Installation of Liobex double action spring hinges

To install Liobex double action spring hinges correctly it is necessary to have or fix a plant down the hanging frame. Ideally the width of the plant should be the same dimension as the thickness of the door. The thickness of the plant should be sufficient to allow the leaf of the hinge to rotate freely around the knuckle, after the lipped face (C) has been mortised in. The other lipped face should be mortised into the door, ensuring that both leafs are free to rotate and that the standard door plant clearance is maintained.



Where applicable the capstan should be located at the top on the plant, and at the bottom on the door. This configuration will ensure optimum efficiency and minimum wear. Hinges where the capstans are located at the same end, should be installed with the capstans at the top.

Normal installation should be 250mm from the top and bottom of the door. In the event of a door being oversize, a third hinge may be fitted 100mm below the top hinge. Care must be taken to ensure that the centre line of the hinges is in alignment.

On fire rated 'EI 30' & 'EI 60' models the supplied intumescent must be stuck to the outer edge (X) covering area 'C' of each hinge leaf and appropriately trimmed.

Failure to install the supplied intumescent will invalidate the Fire Certificate!

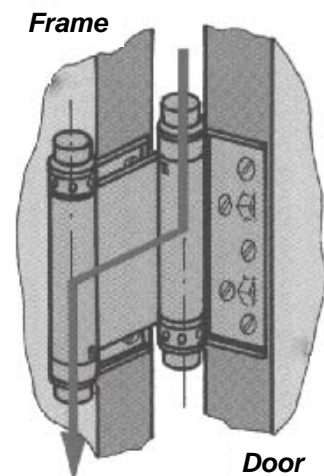
Adjustment

Normal operation of the hinge is achieved by tightening both capstans on each hinge and inserting the pins provided. Normally the top hinge (s) will not require more than three holes, and the bottom hinge two holes.

DO NOT OVERTIGHTEN THE CAPSTANS

Maintenance

Liobex Spring Hinges are lubricated before despatch. We recommend annual lubrication to maintain trouble free operation.



| | | | |
|-----------|----|--|--|
| CI/SfB | | | |
| 31 | 49 | | |
| July 2016 | | | |

D&E contract single action spring hinge

The D&E contract range is supplied in silver in 'Compact Design' and in brass and plated finishes with decorative end caps at the top and bottom of the barrel.



| | | |
|-----------------|------------------------------------|--------------------|
| <i>DECSA03</i> | 75mm / 3" s/a compact spring hinge | silver |
| <i>DESA03B</i> | 75mm / 3" s/a spring hinge | brass plated |
| <i>DESA03N</i> | 75mm / 3" s/a spring hinge | nickel plated |
| <i>DESA03PB</i> | 75mm / 3" s/a spring hinge | pol. brass |
| <i>DESA03PC</i> | 75mm / 3" s/a spring hinge | pol. chrome plated |

Door width: 600mm
 Door thickness: 18 - 25mm
 Max. door weight: 15Kgs
 Packaging: 1pr

| | | |
|-----------------|-------------------------------------|----------------------|
| <i>DECSA04</i> | 100mm / 4" s/a compact spring hinge | silver |
| <i>DESA04B</i> | 100mm / 4" s/a spring hinge | brass plated |
| <i>DESA04N</i> | 100mm / 4" s/a spring hinge | nickel plated |
| <i>DESA04PB</i> | 100mm / 4" s/a spring hinge | pol. brass |
| <i>DESA04PC</i> | 100mm / 4" s/a spring hinge | pol. chrome plated |
| <i>DESA04SS</i> | 100mm / 4" s/a spring hinge | sat. stainless steel |

Door width: 700mm
 Door thickness: 25 - 30mm
 Max. door weight: 22Kgs
 Packaging: 1pr



| | | |
|-----------------|-------------------------------------|----------------------|
| <i>DECSA05</i> | 125mm / 5" s/a compact spring hinge | silver |
| <i>DESA05B</i> | 125mm / 5" s/a spring hinge | brass plated |
| <i>DESA05N</i> | 125mm / 5" s/a spring hinge | nickel plated |
| <i>DESA05PB</i> | 125mm / 5" s/a spring hinge | pol. brass |
| <i>DESA05PC</i> | 125mm / 5" s/a spring hinge | pol. chrome plated |
| <i>DESA05SS</i> | 125mm / 5" s/a spring hinge | sat. stainless steel |

Door width: 700mm
 Door thickness: 30 - 35mm
 Max. door weight: 27Kgs
 Packaging: 1pr

| | | |
|-----------------|-------------------------------------|----------------------|
| <i>DECSA06</i> | 150mm / 6" s/a compact spring hinge | silver |
| <i>DESA06B</i> | 150mm / 6" s/a spring hinge | brass plated |
| <i>DESA06N</i> | 150mm / 6" s/a spring hinge | nickel plated |
| <i>DESA06PB</i> | 150mm / 6" s/a spring hinge | pol. brass |
| <i>DESA06PC</i> | 150mm / 6" s/a spring hinge | pol. chrome plated |
| <i>DESA06SS</i> | 150mm / 6" s/a spring hinge | sat. stainless steel |

Door width: 750mm
 Door thickness: 35 - 40mm
 Max. door weight: 40Kgs
 Packaging: 1pr

| | | | |
|-----------|----|--|--|
| CI/SfB | | | |
| 31 | 49 | | |
| July 2016 | | | |

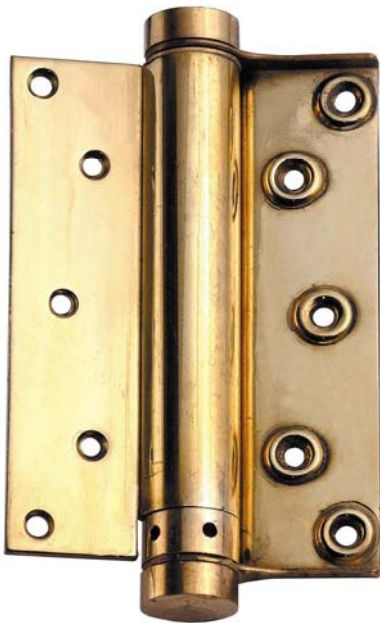
D&E contract single action spring hinge

The D&E contract range is supplied in silver in 'Compact Design' and in brass and plated finishes with decorative end caps at the top and bottom of the barrel.



| | | |
|-----------------|-------------------------------------|--------------------|
| <i>DECSA07</i> | 175mm / 7" s/a compact spring hinge | silver |
| <i>DESA07B</i> | 175mm / 7" s/a spring hinge | brass plated |
| <i>DESA07N</i> | 175mm / 7" s/a spring hinge | nickel plated |
| <i>DESA07PC</i> | 175mm / 7" s/a spring hinge | pol. chrome plated |

Door width: 850mm
Door thickness: 40 - 45mm
Max. door weight: 55Kgs
Packaging: 1pr



| | | |
|-----------|----|--|
| CI/SfB | | |
| 31 | 49 | |
| July 2016 | | |

D&E contract double action spring hinge



The D&E contract range is supplied in silver in 'Compact Design' and in brass and plated finishes with decorative end caps at the top and bottom of the barrel.

| | | |
|-----------------|------------------------------------|----------------------|
| <i>DECDA03</i> | 75mm / 3" d/a compact spring hinge | silver |
| <i>DEDA03B</i> | 75mm / 3" d/a spring hinge | brass plated |
| <i>DEDA03BZ</i> | 75mm / 3" d/a spring hinge | bronze plated |
| <i>DEDA03N</i> | 75mm / 3" d/a spring hinge | nickel plated |
| <i>DEDA03PB</i> | 75mm / 3" d/a spring hinge | pol. brass |
| <i>DEDA03PC</i> | 75mm / 3" d/a spring hinge | pol. chrome plated |
| <i>DEDA03SS</i> | 75mm / 3" d/a spring hinge | sat. stainless steel |

Door width: 600mm
 Door thickness: 18 - 25mm
 Max. door weight: 15Kgs
 Packaging: 1pr

| | | |
|-----------------|-------------------------------------|----------------------|
| <i>DECDA04</i> | 100mm / 4" d/a compact spring hinge | silver |
| <i>DEDA04B</i> | 100mm / 4" d/a spring hinge | brass plated |
| <i>DEDA04BZ</i> | 100mm / 4" d/a spring hinge | bronze plated |
| <i>DEDA04N</i> | 100mm / 4" d/a spring hinge | nickel plated |
| <i>DEDA04PB</i> | 100mm / 4" d/a spring hinge | pol. brass |
| <i>DEDA04PC</i> | 100mm / 4" d/a spring hinge | pol. chrome plated |
| <i>DEDA04SS</i> | 100mm / 4" d/a spring hinge | sat. stainless steel |

Door width: 700mm
 Door thickness: 25 - 30mm
 Max. door weight: 22Kgs
 Packaging: 1pr



| | | |
|-----------------|-------------------------------------|----------------------|
| <i>DECDA05</i> | 125mm / 5" d/a compact spring hinge | silver |
| <i>DEDA05B</i> | 125mm / 5" d/a spring hinge | brass plated |
| <i>DEDA05BZ</i> | 125mm / 5" d/a spring hinge | bronze plated |
| <i>DEDA05N</i> | 125mm / 5" d/a spring hinge | nickel plated |
| <i>DEDA05PB</i> | 125mm / 5" d/a spring hinge | pol. brass |
| <i>DEDA05PC</i> | 125mm / 5" d/a spring hinge | pol. chrome plated |
| <i>DEDA05SS</i> | 125mm / 5" d/a spring hinge | sat. stainless steel |

Door width: 700mm
 Door thickness: 30 - 35mm
 Max. door weight: 27Kgs
 Packaging: 1pr

| | | |
|-----------------|-------------------------------------|----------------------|
| <i>DECDA06</i> | 150mm / 6" d/a compact spring hinge | silver |
| <i>DEDA06B</i> | 150mm / 6" d/a spring hinge | brass plated |
| <i>DEDA06BZ</i> | 150mm / 6" d/a spring hinge | bronze plated |
| <i>DEDA06N</i> | 150mm / 6" d/a spring hinge | nickel plated |
| <i>DEDA06PB</i> | 150mm / 6" d/a spring hinge | pol. brass |
| <i>DEDA06PC</i> | 150mm / 6" d/a spring hinge | pol. chrome plated |
| <i>DEDA06SS</i> | 150mm / 6" d/a spring hinge | sat. stainless steel |

Door width: 750mm
 Door thickness: 35 - 40mm
 Max. door weight: 40Kgs
 Packaging: 1pr

| | | | |
|-----------|----|--|--|
| CI/SfB | | | |
| 31 | 49 | | |
| July 2016 | | | |

D&E contract double action spring hinge



The D&E contract range is supplied in silver in 'Compact Design' and in brass and plated finishes with decorative end caps at the top and bottom of the barrel.

| | | |
|-----------------|-------------------------------------|----------------------|
| <i>DECDA07</i> | 175mm / 7" d/a compact spring hinge | silver |
| <i>DEDA07B</i> | 175mm / 7" d/a spring hinge | brass plated |
| <i>DEDA07BZ</i> | 175mm / 7" d/a spring hinge | bronze plated |
| <i>DEDA07N</i> | 175mm / 7" d/a spring hinge | nickel plated |
| <i>DEDA07PC</i> | 175mm / 7" d/a spring hinge | pol. chrome plated |
| <i>DEDA07SS</i> | 175mm / 7" d/a spring hinge | sat. stainless steel |

Door width: 850mm
 Door thickness: 40 - 45mm
 Max. door weight: 55Kgs
 Packaging: 1pr



| | | | |
|-----------|----|--|--|
| CI/SfB | | | |
| 31 | 49 | | |
| July 2016 | | | |

D&E Hawgood hinge

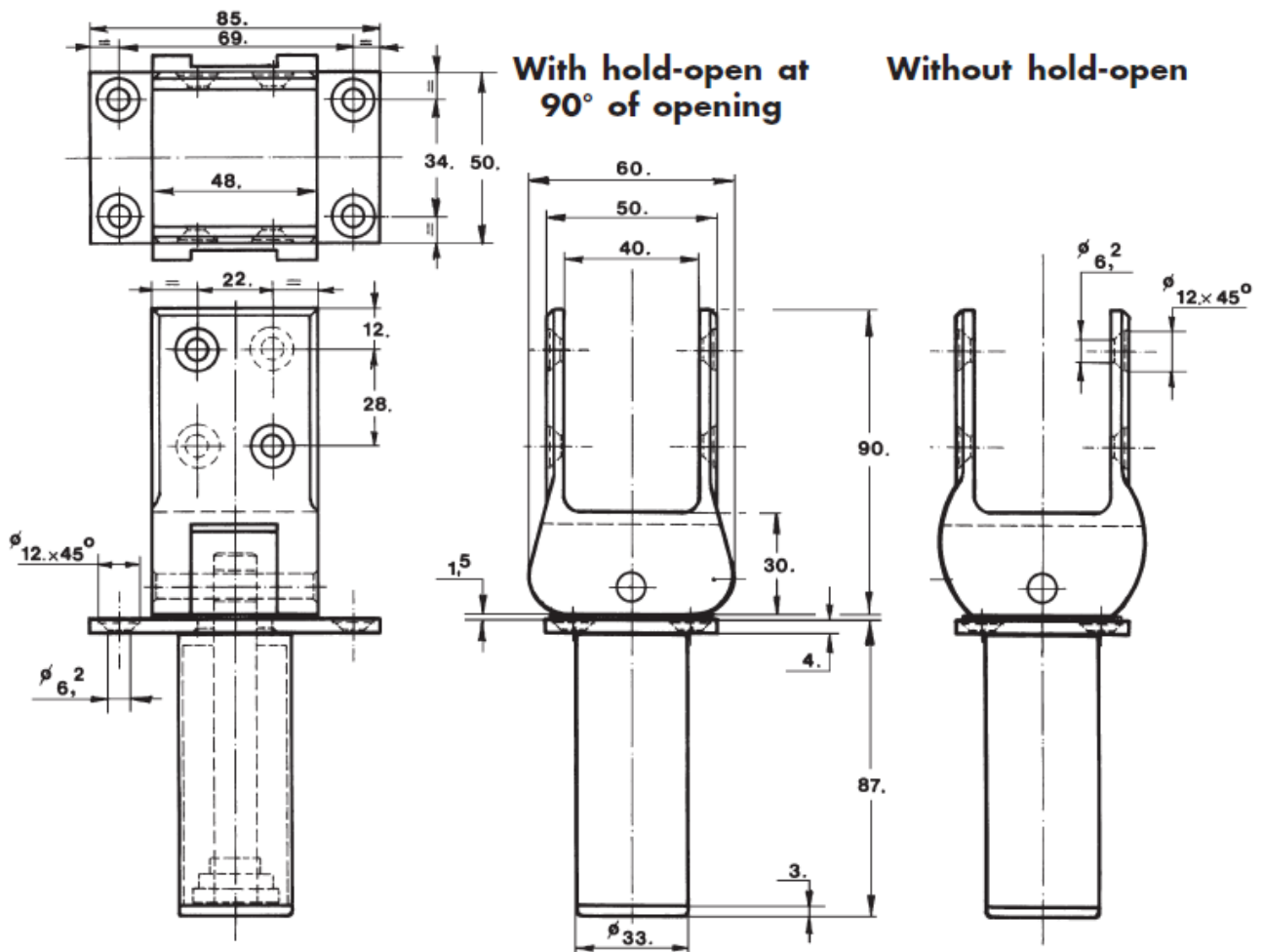


The D&E Hawgood hinges HA41 and HA42 are designed for larger swing doors. HA41 and HA42 swing door hinges are available either with or without a hold open feature at 90° of opening. The shoe is manufactured in stainless steel and the flat mounting plate is available in either zinc plated finish or stainless steel. The ALL stainless steel models are recommended for use in areas containing food.

Models HA41 and HA42 only differ in their spring force. The spring in HA42 is covered by a white plastic tube and the spring in HA41 by a black plastic tube. When combining both models on a door, model HA42 must always be placed at the top.

- | | |
|-----------------|-----------------------------|
| DEHA41/SSS | SS shoe & plate |
| DEHA41/SSS/ZP | SS shoe / ZP plate |
| DEHA41HO/SSS | SS shoe & plate with H/O |
| DEHA41HO/SSS/ZP | SS shoe / ZP plate with H/O |
| DEHA42/SSS | SS shoe & plate |
| DEHA42/SSS/ZP | SS shoe / ZP plate |
| DEHA42HO/SSS | SS shoe & plate with H/O |
| DEHA42HO/SSS/ZP | SS shoe / ZP plate with H/O |

Packaging: 1 pce



Product selection

Please see the formula shown below for information on possible door dimensions and weight. If your door is heavier or larger than the formula allows, please contact our Sales Team for assistance.

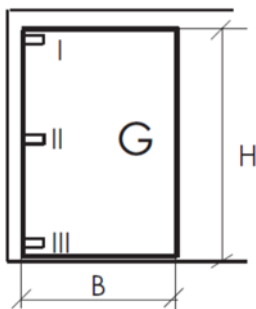
The number of hinges and the model required (HA41 and/or HA42) can be determined with the formula shown below. Up to 4 hinges can be fitted to one door (see table). Please make sure that model HA42 is always mounted at the top. Furthermore the upper hinge should be placed as high as possible.

$$K = \frac{G \times 1/2 B}{H}$$

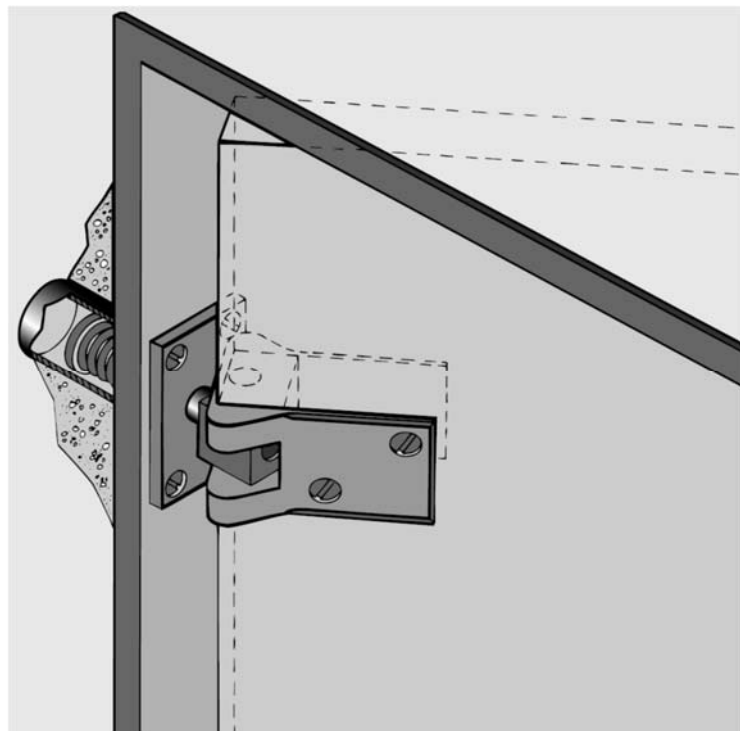
G = Door weight (Kg)

H = Door height (mm)

B = Door width (mm)



| If K = | Hinge position | | |
|---------|----------------|-------|-------|
| | I | II | III |
| < 8 | 1x 41 | | 1x 41 |
| 8 - 16 | 1x 42 | | 1x 41 |
| 16 - 20 | 1x 42 | | 1x 42 |
| 20 - 30 | 1x 42 + 1x 41 | | 1x 42 |
| 30 - 50 | 2x 42 | 1x 41 | 1x 42 |



| | | | |
|-----------|----|--|--|
| CI/SfB | | | |
| 31 | 49 | | |
| July 2016 | | | |



D&E Auto-hinge 1000 series.

The 1000 series is a door closer built into a pair of hinges. Comprising of 1 spring hinge and 1 damper hinge and offers a fully adjustable, controlled closing action.

Suitable for use on internal doors up to 35Kg.

| | | |
|--------------|-------------------------------------|-----|
| DE1111/35/L | auto-hinge - LH | SAA |
| DE1111/35/R | auto-hinge - RH | SAA |
| DE1111/35/SL | auto-hinge with H/O - LH | SAA |
| DE1111/35/SR | auto-hinge with H/O - RH | SAA |
| DE1110/L | blank hinge - non load bearing - LH | SAA |
| DE1110/R | blank hinge - non load bearing - RH | SAA |

Hold open angle: 85° (hold open model only)

Opening angle: 180°

Door weight: 1 pr 35Kg

Packaging: 1 / 10 prs

Supplied handed (see page B-1023)

Supplied complete with fixing screws

See page B-1022 & B-1023 for all technical information including model specification for timber / metal doors in timber / metal frames etc...

D&E Auto-hinge 100 series.

The 100 series is a door closer built into a pair of hinges. Comprising of 1 spring hinge and 1 damper hinge and offers a fully adjustable, controlled closing action.

Suitable for use on internal doors up to 40Kg.

| | | |
|-------------|-------------------------------------|--------|
| DE112/40/L | auto-hinge - LH | silver |
| DE112/40/R | auto-hinge - RH | silver |
| DE112/40/SL | auto-hinge with H/O - LH | silver |
| DE112/40/SR | auto-hinge with H/O - RH | silver |
| DE110/L | blank hinge - non load bearing - LH | silver |
| DE110/R | blank hinge - non load bearing - RH | silver |

Opening angle: 180°

Hold open angle: 85° & 150° (hold open model only)

Door weight: 1 pr 40Kg

Packaging: 1 / 10 prs

Supplied handed (see page B-1023)

Supplied complete with fixing screws

See page B-1022 & B-1023 for all technical information including model specification for timber / metal doors in timber / metal frames etc...



| | | | |
|-----------|----|--|--|
| CI/SfB | | | |
| 31 | 49 | | |
| July 2016 | | | |

D&E Auto-hinge 100 series.

The 100 series is a door closer built into a pair of hinges. Comprising of 1 spring hinge and 1 damper hinge and offers a fully adjustable, controlled closing action.

Suitable for use on internal doors up to 60Kg.

| | | |
|-------------|-------------------------------------|--------|
| DE113/60/L | auto-hinge - LH | silver |
| DE113/60/R | auto-hinge - RH | silver |
| DE113/60/SL | auto-hinge with H/O - LH | silver |
| DE113/60/SR | auto-hinge with H/O - RH | silver |
| DE110/L | blank hinge - non load bearing - LH | silver |
| DE110/R | blank hinge - non load bearing - RH | silver |

Opening angle: 180°

Hold open angle: 85° & 150° (hold open model only)

Door weights: 1 pr 60Kg

Packaging: 1 / 10 prs

Supplied handed (see page B-1023)

Supplied complete with fixing screws

See page B-1022 & B-1023 for all technical information including model specification for timber / metal doors in timber / metal frames etc...



D&E Auto-hinge 100 tri-set series.

The 113 series tri-set is a door closer built into a set of hinges. The tri-set comprises of 2 spring hinges and 1 damper hinge and offers a fully adjustable, controlled closing action.

Suitable for use on internal doors up to 80Kg.

| | | |
|-------------|-------------------------------------|--------|
| DE113/80/L | tri-set auto-hinge - LH | silver |
| DE113/80/R | tri-set auto-hinge - RH | silver |
| DE113/80/SL | tri-set auto-hinge with H/O - LH | silver |
| DE113/80/SR | tri-set auto-hinge with H/O - RH | silver |
| DE110/L | blank hinge - non load bearing - LH | silver |
| DE110/R | blank hinge - non load bearing - RH | silver |

Opening angle: 180°

Hold open angle: 85° & 150° (hold open model only)

Door weights: 1 set 80Kg

Packaging: 1 / 10 sets

Supplied handed (see page B-1023)

Supplied complete with fixing screws

See page B-1022 & B-1023 for all technical information including model specification for timber / metal doors in timber / metal frames etc...



| | | | |
|-----------|----|--|--|
| CI/SfB | | | |
| 31 | 49 | | |
| July 2016 | | | |



D&E Auto-hinge 100 PC series - weather resistant.

The D&E 113PC series is a door closer built into a pair of hinges. Comprising of 1 spring hinge and 1 damper hinge and offers a fully adjustable, controlled closing action which is enhanced by a thermal compensator.

Suitable for use on external doors up to 60Kg.

DE113PC/60/L PC auto-hinge - LH silver
 DE113PC/60/R PC auto-hinge - RH silver

DE113PC/60/SL PC auto-hinge with H/O - LH silver
 DE113PC/60/SR PC auto-hinge with H/O - RH silver

DE110PC/L PC blank hinge - non load bearing - LH silver
 DE110PC/R PC blank hinge - non load bearing - RH silver

Opening angle: 180°

Hold open angle: 85° & 150°

Door weights: 1 pr 60Kg

Packaging: 1 / 10 prs

Supplied handed (see page B-1023)

Supplied complete with fixing screws

See page B-1022 & B-1023 for all technical information including model specification for timber / metal doors in timber / metal frames etc...

| | | | |
|-----------|----|--|--|
| CI/SfB | | | |
| 31 | 49 | | |
| July 2016 | | | |

D&E Auto-hinge NK153 series.



The D&E NK153 series is a door closer built into either a pair or set of hinges. There are two door weight configurations. The 60Kg models comprise of 1 spring hinge and 1 damper hinge. The 80Kg models comprise of 2 spring hinges and 1 damper hinge. Both offer a fully adjustable, controlled closing action.

Suitable for use on frameless glass doors up to 60Kg.

| | | |
|---------------|-------------------------------------|--------|
| DENK153/60/L | NK153 auto-hinge - LH | silver |
| DENK153/60/R | NK153 auto-hinge - RH | silver |
| DENK153/60/SL | NK153 auto-hinge with HO - LH | silver |
| DENK153/60/SR | NK153 auto-hinge with HO - RH | silver |
| DENK150/L | blank hinge - non load bearing - LH | silver |
| DENK150/R | blank hinge - non load bearing - RH | silver |

Opening angle: 180°
 Hold open angle: 85° & 150°
 Door weights: 1 pair 60Kg
 Glass thickness: 8 to 12mm
 Door dimensions: 2100 x 900mm
 Packaging: 1 / 10 prs

Supplied handed (see page B-1023)

Supplied complete with fixing screws.

Suitable for use on frameless glass doors up to 80Kg.

| | | |
|---------------|---------------------------------------|--------|
| DENK153/80/L | NK153 tri-set auto-hinge - LH | silver |
| DENK153/80/R | NK153 tri-set auto-hinge - RH | silver |
| DENK153/80/SL | NK153 tri-set auto-hinge with HO - LH | silver |
| DENK153/80/SR | NK153 tri-set auto-hinge with HO - RH | silver |
| DENK150/L | blank hinge - non load bearing - LH | silver |
| DENK150/R | blank hinge - non load bearing - RH | silver |

Opening angle: 180°
 Hold open angle: 85° & 150°
 Door weights: 1 set 80Kg
 Glass thickness: 8 to 12mm
 Door dimensions: 2200 x 1000mm
 Packaging: 1 / 10 prs

Supplied handed (see page B-1023)

Supplied complete with fixing screws.

| | | | |
|-----------|----|--|--|
| CI/SfB | | | |
| 31 | 49 | | |
| July 2016 | | | |

| Part No. | | Hand | Max Door Weight | Hold Open Position | Max Opening Angle | Max Door Dimensions |
|-------------------|----------------|------|-----------------|--------------------|-------------------|---------------------|
| Without hold open | With hold open | | | | | |

1000 series

| To suit a Timber door in a Timber frame | | | | | | |
|--|--------|-------|------|-----|------|--------------------------------------|
| 1111R | 1111SR | Right | 35Kg | 85° | 180° | W: 850mm H: 2000mm T: min 30mm |
| 1111L | 1111SL | Left | | | | |
| 1110R | — | Right | — | — | | |
| 1110L | — | Left | — | — | | |

100 series

| To suit a Timber door in a Timber frame | | | | | | |
|--|---------------|-------|------|------------|------|---------------------------------------|
| 112R | 112SR | Right | 40Kg | 85° & 150° | 180° | W: 900mm H: 2100mm T: min 30mm |
| 112L | 112SL | Left | | | | |
| 113R | 113SR | Right | 60Kg | | | |
| 113L | 113SL | Left | | | | |
| 113R Tri-Set | 113SR Tri-Set | Right | 80Kg | | | W: 1000mm H: 2200mm T: min 30mm |
| 113L Tri-Set | 113SL Tri-Set | Left | | | | |
| 110R | — | Right | — | — | | |
| 110L | — | Left | — | — | | |

| To suit a Timber door in a Steel frame | | | | | | |
|---|----------|-------|------|------------|------|--------------------------------------|
| 122R-T | 122SR -T | Right | 40Kg | 85° & 150° | 180° | W: 900mm H: 2100mm T: min 30mm |
| 122L-T | 122SL-T | Left | | | | |
| 120R-T | — | Right | — | — | | |
| 120L-T | — | Left | — | — | | |

| To suit a Steel door in a Steel frame | | | | | | |
|--|---------|-------|------|------------|------|--------------------------------------|
| 143R-T | 143SR-T | Right | 60Kg | 85° & 150° | 180° | W: 900mm H: 2100mm T: min 30mm |
| 143L-T | 143SL-T | Left | | | | |
| 140R-T | — | Right | — | — | | |
| 140L-T | — | Left | — | — | | |

| To suit a Steel door in a Steel frame | | | | | | |
|--|---------|-------|-------|------------|------|---------------------------------------|
| 244R-T | 244SR-T | Right | 120Kg | 85° & 150° | 180° | W: 1200mm H: 2100mm T: min 40mm |
| 244L-T | 244SL-T | Left | | | | |
| 240R-T | — | Right | — | — | | |
| 120L-T | — | Left | — | — | | |

| Part No. | | Hand | Max Door Weight | Hold Open Position | Max Opening Angle | Max Door Dimensions |
|-------------------|----------------|------|-----------------|--------------------|-------------------|---------------------|
| Without hold open | With hold open | | | | | |

100 PC series

To suit timber, aluminium & lightweight steel doors

| | | | | | | |
|---------|----------|-------|------|------------|------|--------------------------------------|
| 113R-PC | 113SR-PC | Right | 60Kg | 85° & 150° | 180° | W: 900mm H: 2100mm T: min 30mm |
| 113L-PC | 113SL-PC | Left | | | | |
| 110R | — | Right | — | — | | |
| 110L | — | Left | — | — | | |

To suit aluminium, lightweight steel & partition doors

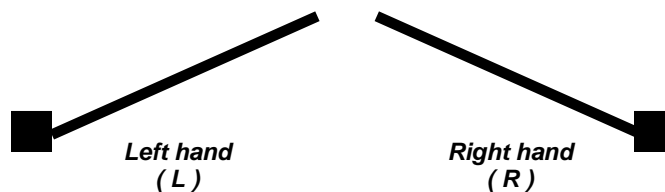
| | | | | | | |
|---------|----------|-------|------|------------|------|--------------------------------------|
| 133R-PC | 133SR-PC | Right | 60Kg | 85° & 180° | 180° | W: 900mm H: 2100mm T: min 30mm |
| 133L-PC | 133SL-PC | Left | | | | |
| 130R-PC | — | Right | — | — | | |
| 130L-PC | — | Left | — | — | | |

To suit a Steel door in a Steel frame

| | | | | | | |
|-----------|------------|-------|------|------------|------|--------------------------------------|
| 143R-T-PC | 143SR-T-PC | Right | 60Kg | 85° & 150° | 180° | W: 900mm H: 2100mm T: min 30mm |
| 143L-T-PC | 143SL-T-PC | Left | | | | |
| 140R-T-PC | — | Right | — | — | | |
| 140L-T-PC | — | Left | — | — | | |

To suit a Steel door in a Steel frame

| | | | | | | |
|-----------|------------|-------|-------|------------|------|---------------------------------------|
| 244R-T-PC | 244SR-T-PC | Right | 120Kg | 85° & 150° | 180° | W: 1200mm H: 2100mm T: min 40mm |
| 244L-T-PC | 244SL-T-PC | Left | | | | |
| 240R-T-PC | — | Right | — | — | | |
| 240L-T-PC | — | Left | — | — | | |



| | | | |
|-----------|----|--|--|
| CI/SfB | | | |
| 31 | 49 | | |
| July 2016 | | | |



D&E Auto-hinge - Centre Hang type

The D&E Auto-Hinge centre hang type is a concealed single action pivot door closer. Suitable for use on doors ranging from 40Kg up to 510Kg, it offers a controlled closing action.

| | |
|-----------------|-------------------------------------|
| <i>DEA8K/L</i> | centre hang auto-hinge - LH - 40Kg |
| <i>DEA8K/R</i> | centre hang auto-hinge - RH - 40Kg |
| <i>DEA8/L</i> | centre hang auto-hinge - LH - 50Kg |
| <i>DEA8/R</i> | centre hang auto-hinge - RH - 50Kg |
| <i>DEA10/L</i> | centre hang auto-hinge - LH - 85Kg |
| <i>DEA10/R</i> | centre hang auto-hinge - RH - 85Kg |
| <i>DEA12/L</i> | centre hang auto-hinge - LH - 100Kg |
| <i>DEA12/R</i> | centre hang auto-hinge - RH - 100Kg |
| <i>DEA14/L</i> | centre hang auto-hinge - LH - 130Kg |
| <i>DEA14/R</i> | centre hang auto-hinge - RH - 130Kg |
| <i>DEA16/L</i> | centre hang auto-hinge - LH - 160Kg |
| <i>DEA16/R</i> | centre hang auto-hinge - RH - 160Kg |
| <i>DEA18/L</i> | centre hang auto-hinge - LH - 200Kg |
| <i>DEA18/R</i> | centre hang auto-hinge - RH - 200Kg |
| <i>DEA22/L</i> | centre hang auto-hinge - LH - 240Kg |
| <i>DEA22/R</i> | centre hang auto-hinge - RH - 240Kg |
| <i>DEA26/L</i> | centre hang auto-hinge - LH - 310Kg |
| <i>DEA26/R</i> | centre hang auto-hinge - RH - 310Kg |
| <i>DEA30/L</i> | centre hang auto-hinge - LH - 410Kg |
| <i>DEA30/R</i> | centre hang auto-hinge - RH - 410Kg |
| <i>DEA30H/L</i> | centre hang auto-hinge - LH - 510Kg |
| <i>DEA30H/R</i> | centre hang auto-hinge - RH - 510Kg |

Opening angle: 180°

Door weights: all door weights shown above are subject to certain criteria - see pages B-1025 & B-1026 for further information.

Finish: stove enamelled

Packaging: each

Supplied handed (see page B-1025)

Supplied complete with fixing screws

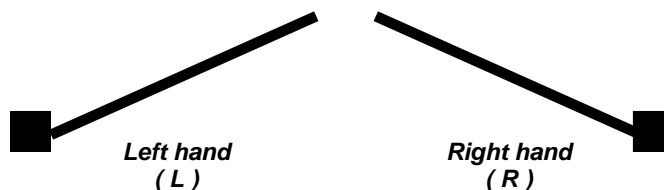
D&E Auto-hinge - Centre Hang Type

| | | | |
|-----------|----|--|--|
| CI/SfB | | | |
| 31 | 49 | | |
| July 2016 | | | |

| model no. | door dimensions (mm) | | | max door weight | standard closing force | max opening angle | |
|-----------|----------------------|---------------|-------------|-----------------|------------------------|-------------------|----------|
| | width | height | thickness | | | | |
| A-8K | 800 (max) | 1850 (max) | 36 (min) | 40 | 6.9 N-m | 180° | |
| A-8 | | 2000 | | 50 | 8.9 N-m | | |
| A-10 | 1000 | 2100 | 40 | 85 | 10.8 N-m | | |
| A-12 | 1200 | | | 100 | 15.7 N-m | | |
| A-14 | 1400 | | | 130 | 19.7 N-m | | |
| A-16 | 1600 | 2400 | 45 | 160 | 24.6 N-m | | |
| A-18 | 1800 | | | 50 | 200 | | 41.2 N-m |
| A-22 | 2200 | | | | 240 | | 49.1 N-m |
| A-26 | 2600 | 2600 | 55 | 310 | 60.9 N-m | | |
| A-30 | 3000 | | | 410 | 68.7 N-m | | |
| A-30H | | | | 510 | | | |

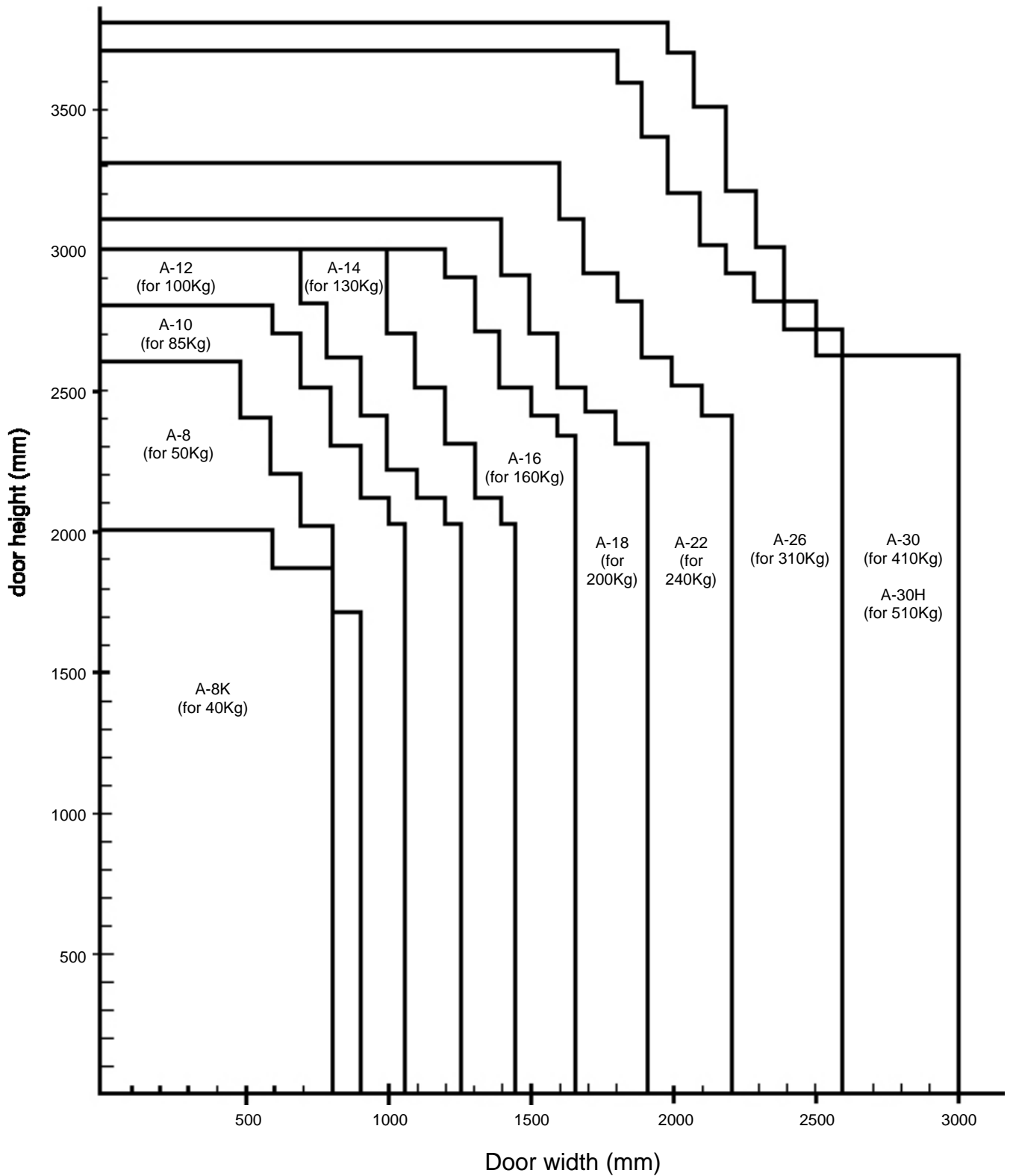
- Select an appropriate model according to the dimensions (height x width) of the door.
(See chart on page B-1027)
 - Ensure that the door weight is within the guidelines set out in the table below.
- N.B. The chart on page B-1027 is based on a wind velocity of 3m/sec. If being used in conjunction with a smoke ventilation system or should the wind conditions be any greater then please contact the sales office.

| model | weight / 1m ² | type of door |
|------------------|--------------------------|--------------------------------------|
| A-8K | 27Kg/m ² max | steel door (only for wicket door) |
| A-8 | 31Kg/m ² max | steel door |
| A-10, A-12 | 39Kg/m ² max | |
| A-14, A-16 | 41Kg/m ² max | |
| A-18, A-22, A-26 | 45Kg/m ² max | |
| A-30 | 52Kg/m ² max | |
| A-30H | 65Kg/m ² max | |



D&E Auto-hinge - Centre Hang Type

| | | | |
|-----------|----|--|--|
| CI/SfB | | | |
| 31 | 49 | | |
| July 2016 | | | |



Sales: 01733 896123

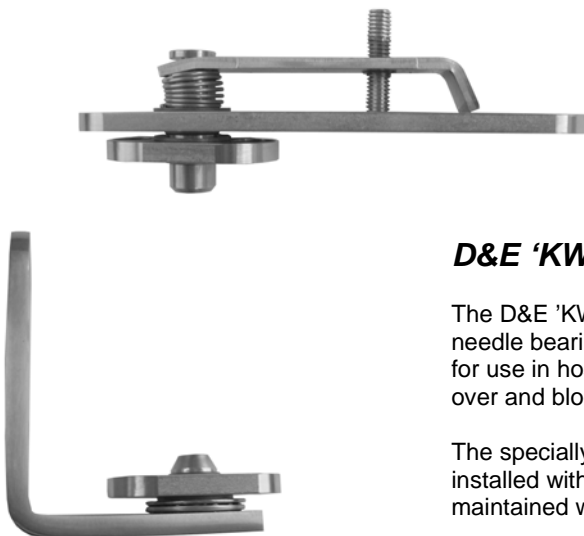


B-1026

Fax: 01733 894466

E&OE

| | | | |
|----------------|----|--|--|
| CI/SfB | | | |
| 31 | 49 | | |
| September 2007 | | | |



D&E 'KWS' stainless steel pivot hinge - 80Kg

The D&E 'KWS' pivot set is manufactured from stainless steel and incorporates a needle bearing system (Pat. Pending) that offers ultra smooth operation. Designed for use in hospitals, nursing homes or wherever the ill or infirm run the risk of falling over and blocking an inward opening toilet or bathroom door.

The specially designed pivot set allows the door to swing in either direction. When installed with the DEK625082 or DEK625182 emergency releases, privacy can be maintained whilst allowing entry in an emergency situation.

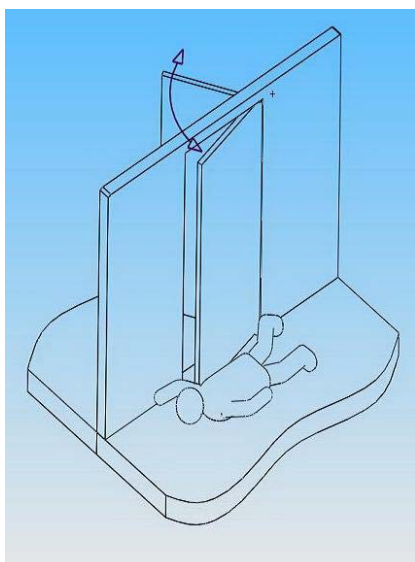
| | | |
|------------------------|---------------------------|----------------------|
| DEK620782 | stainless steel pivot set | sat. stainless steel |
| Rating: | medium duty | |
| Stainless steel grade: | SUS 304. | |
| Bearing system: | needle bearings | |
| Door Weight: | 1 set | 80Kg max |
| Finish: | brushed stainless steel | |
| Packaging: | 1 set | |
| Guarantee period: | 25 years* | |

Supplied complete with fixing screws.

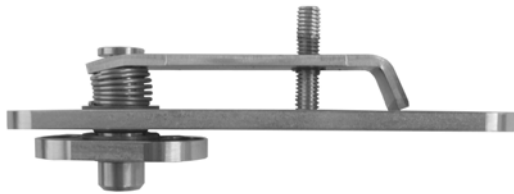
For dimensions & installation instructions see page C-1005

DEK620482 adaptor plate for upgrading to 120Kg model - see page C-1004

* subject to general wear and tear.



| | | | |
|----------------|----|--|--|
| CI/SfB | | | |
| 31 | 49 | | |
| September 2007 | | | |



D&E 'KWS' stainless steel pivot hinge - 120Kg

The D&E 'KWS' pivot set is manufactured from stainless steel and incorporates a needle bearing system (Pat. Pending) that offers ultra smooth operation. Designed for use in hospitals, nursing homes or wherever the ill or infirm run the risk of falling over and blocking an inward opening toilet or bathroom door.



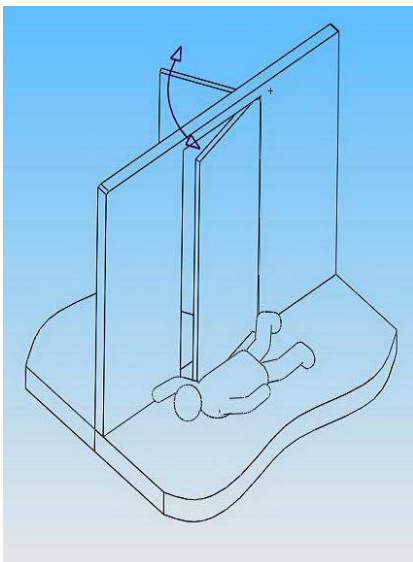
The specially designed pivot set allows the door to swing in either direction. When installed with the DEK625082 or DEK625182 emergency releases, privacy can be maintained whilst allowing entry in an emergency situation.

| | | |
|------------------------|---------------------------|----------------------|
| DEK620882 | stainless steel pivot set | sat. stainless steel |
| Rating: | heavy duty | |
| Stainless steel grade: | SUS 304. | |
| Bearing system: | needle bearings | |
| Door Weights: | 1 set | 120Kg max |
| Finish: | brushed stainless steel | |
| Packaging: | 1 set | |
| Guarantee period: | 25 years* | |

Supplied complete with fixing screws.

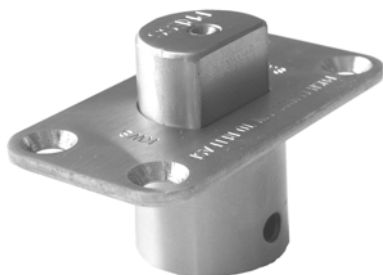
For dimensions & installation instructions see page C-1006

* subject to general wear and tear.



| | | | |
|-------------|----|--|--|
| CI/SfB | | | |
| 31 | 49 | | |
| August 2011 | | | |

D&E 'KWS' emergency release with hold back function



DEK625082 emergency release with hold back sat. stainless steel

All metal parts manufactured from stainless steel

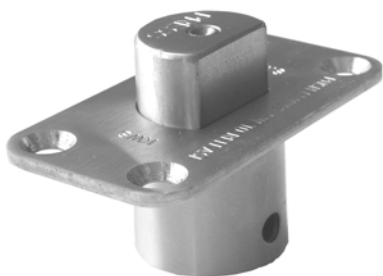
Stainless steel grade: SUS 304.

Guarantee period: 25 years*

Supplied complete with fixing screws.

* subject to general wear and tear.

D&E 'KWS' locking emergency release with hold back function



DEK625282 locking emergency release with hold back sat. stainless steel

All metal parts manufactured from stainless steel

Stainless steel grade: SUS 304.

Guarantee period: 25 years*

Supplied complete with fixing screws.

* subject to general wear and tear.

D&E 'KWS' emergency release



DEK625182 emergency release sat. stainless steel

All metal parts manufactured from stainless steel

Stainless steel grade: SUS 304.

Guarantee period: 25 years*

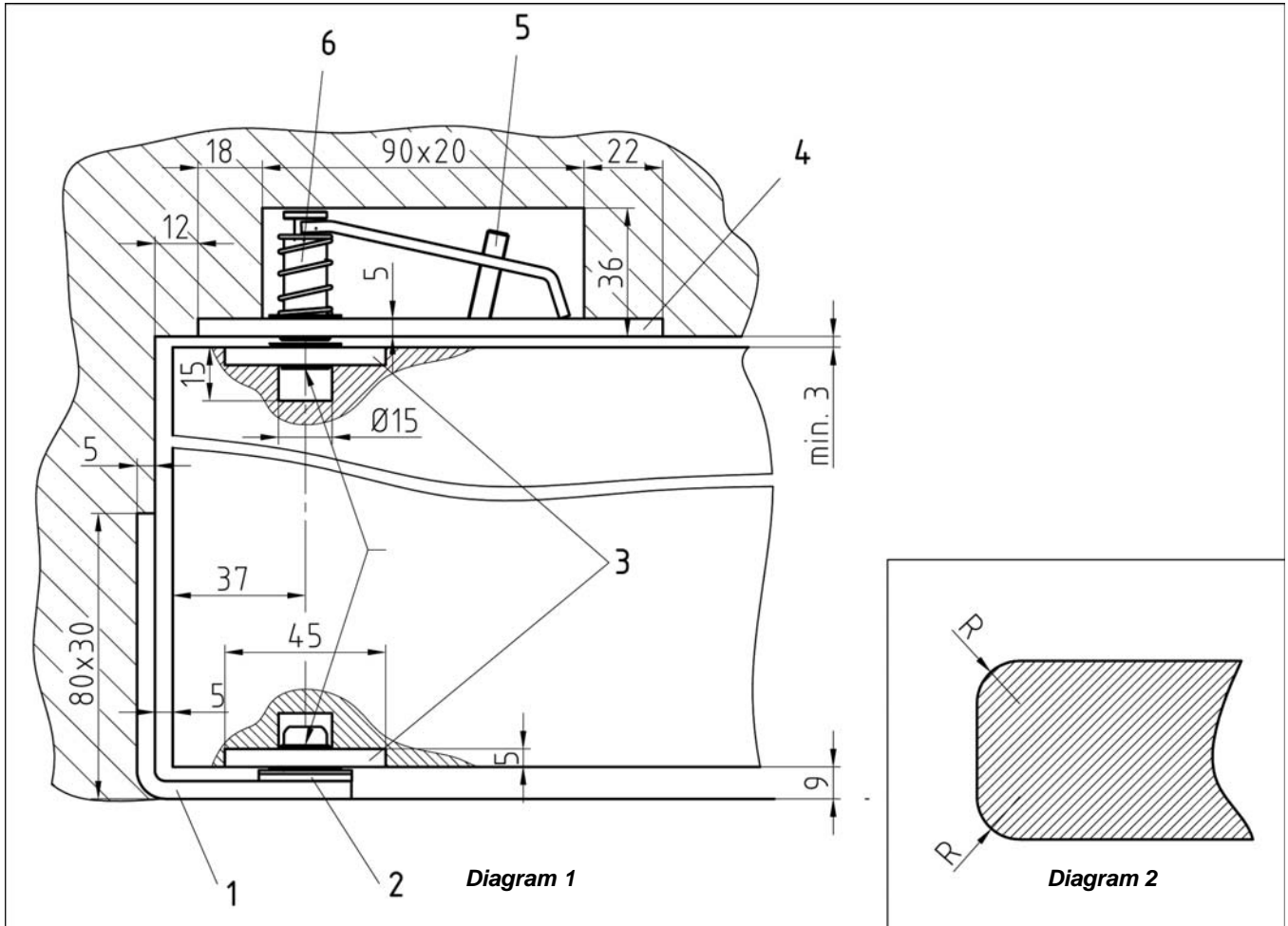
Supplied complete with fixing screws.

* subject to general wear and tear.



| | | | |
|----------------|----|--|--|
| CI/SfB | | | |
| 31 | 49 | | |
| September 2007 | | | |

DEK620782 80Kg model



Door height = (internal frame height mm - 12 mm)
 Min / Max door thickness - 25mm / 75mm
 All measurements / dimensions in mm

R10-12 = door thickness 44
 R12-15 = door thickness 54

Installation:

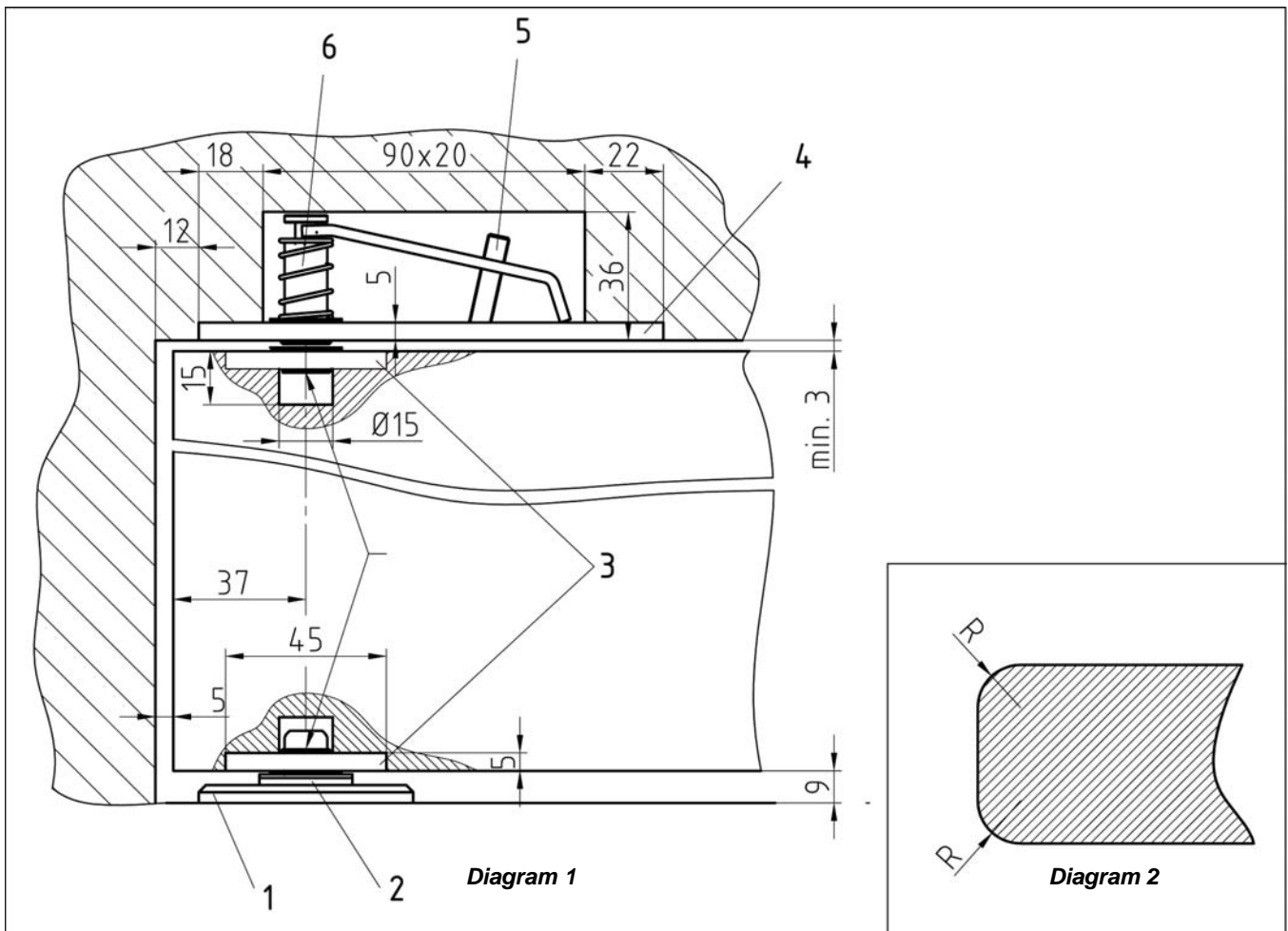
Radius the hinge edge of the door with R... corners – see diagram 2.
 Mortise the top and bottom edges of the door for plate #3 (45 x 25 x 5mm).
 Mark the centre of the bush / pivot hole and drill a 15mm Ø x 15mm deep hole.
NOTE: the centres of the bushes / pivot holes must be vertically in alignment.

Mortise the door frame for angle bracket #1 (80 x 30 x 5mm) and top pivot #4 (130 x 25 x 5mm / 90 x 20 x 36mm) then screw into position.
NOTE: the centres of the pivots must be vertically in alignment.

Locate the needle bearings and covering washer #2 over the bottom pivot.
 Locate the door on the lower pivot and align the top pivot with the centre of the bush on the top of the door.
 Using the hex key provided, turn the upper screw #5, driving the upper pivot #6 approximately 15mm into the upper bush.
NOTE: Do not over tighten the screw #5

| | | | |
|----------------|----|--|--|
| CI/SfB | | | |
| 31 | 49 | | |
| September 2007 | | | |

DEK620882
120Kg model



Door height = (internal frame height mm - 12 mm)
Min / Max door thickness - 25mm / 75mm
All measurements / dimensions in mm

R10-12 = door thickness 44
R12-15 = door thickness 54

Installation:

Radius the hinge edge of the door with R... corners – see diagram 2.
Mortise the top and bottom edges of the door for plate #3 (45 x 25 x 5mm).
Mark the centre of the bush / pivot hole and drill a 15mm Ø x 15mm deep hole.
NOTE: the centres of the bushes / pivot holes must be vertically in alignment.

Mortise the door frame for angle bracket #1 (80 x 30 x 5mm) and top pivot #4 (130 x 25 x 5mm / 90 x 20 x 36mm) then screw into position.
NOTE: the centres of the pivots must be vertically in alignment.

Locate the needle bearings and covering washer #2 over the bottom pivot.
Locate the door on the lower pivot and align the top pivot with the centre of the bush on the top of the door.
Using the hex key provided, turn the upper screw #5, driving the upper pivot #6 approximately 15mm into the upper bush.
NOTE: Do not over tighten the screw #5

| | | | |
|----------------|----|--|--|
| CI/SfB | | | |
| 31 | 49 | | |
| September 2007 | | | |



D&E BSW project hinge mounting plates - 3D adjustment

D&E BSW project hinge mounting plate designed for use on steel frames. With 3 dimensional adjustment, this makes for easy installation in the trickiest of environments.

Suitable for use with the 100mm & 120mm high BSW project hinges

DEVZK060/100-120GV 3D adjustable mounting plate zinc plated

Max door weight: subject to hinge type



D&E BSW project hinge mounting plate designed for use on steel frames. With 3 dimensional adjustment, this makes for easy installation in the trickiest of environments.

Suitable for use with the 160mm high BSW project hinges

DEVZK060/160GV 3D adjustable mounting plate zinc plated

Max door weight: subject to hinge type

A comprehensive range of mounting brackets & project hinges is available - please contact the sales team for a copy of the BSW Project Hinge catalogue

| | | | |
|----------------|----|--|--|
| CI/SfB | | | |
| 31 | 49 | | |
| September 2007 | | | |



D&E BSW project hinge DE060-3/100/SSS is designed for use with mounting plate (see page C-1007). Once installed on the mounting plate, the 3D adjustment allows easy installation in the trickiest of environments.

The other factor of these hinges is that manufacture of the door and frame set can be carried out in separate locations and then married up on site with the minimum of effort.

Designed for use with the DEVZK060/100-120GV - see page C-1007

| | | |
|-----------------|-------------------------------|----------------------|
| DE060-3/100/SSS | project hinge for timber door | sat. stainless steel |
| DE060-3/100/PSS | project hinge for timber door | pol. stainless steel |
| DE060-3/100/GV | project hinge for timber door | zinc plated |
| DE060-3/100/RAL | project hinge for timber door | RAL colour* |
| DE060-3/100/B | project hinge for timber door | brass plated |

CE classification:

| | | | | | | | |
|---|---|---|---|---|---|---|----|
| 4 | 7 | 6 | 1 | 1 | 4 | 0 | 13 |
|---|---|---|---|---|---|---|----|

Max door weight: 130Kg

Dimensions:

| | |
|------------------|-------|
| high | 100mm |
| SS thickness | 3mm |
| knuckle diameter | 20mm |

SS grade: SUS 304

Pin: removable pin

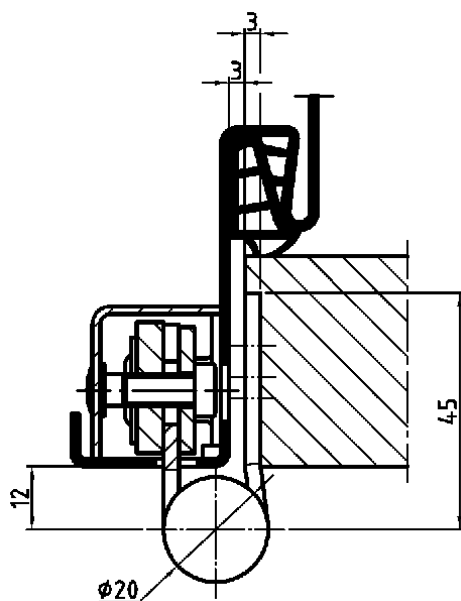
Supplied non-handed

Packaging: 1 / 100 pcs

Radius corners

Supplied complete with stainless steel fixing screws

* finishes may be subject to quantity



| | | | |
|----------------|----|--|--|
| CI/SfB | | | |
| 31 | 49 | | |
| September 2007 | | | |



D&E BSW project hinge DE060-3/120 & DE060-3/120 are designed for use with mounting plate (see page C-1007). Once installed on the mounting plate, the 3D adjustment allows easy installation in the trickiest of environments.

The other factor of these hinges is that manufacture of the door and frame set can be carried out in separate locations and then married up on site with the minimum of effort.

Designed for use with the DEVZK060/100-120GV - see page C-1007

| | | |
|-----------------|-------------------------------|----------------------|
| DE060-3/120/SSS | project hinge for timber door | sat. stainless steel |
| DE060-3/120/PSS | project hinge for timber door | pol. stainless steel |
| DE060-3/120/GV | project hinge for timber door | zinc plated |
| DE060-3/120/RAL | project hinge for timber door | RAL colour* |
| DE060-3/120/B | project hinge for timber door | brass plated |

CE classification:

| | | | | | | | |
|---|---|---|---|---|---|---|----|
| 4 | 7 | 6 | 1 | 1 | 4 | 0 | 13 |
|---|---|---|---|---|---|---|----|

Max door weight: 160Kg

Dimensions:

| | |
|------------------|-------|
| high | 120mm |
| SS thickness | 3mm |
| knuckle diameter | 20mm |

SS grade: SUS 304

Pin: removable pin

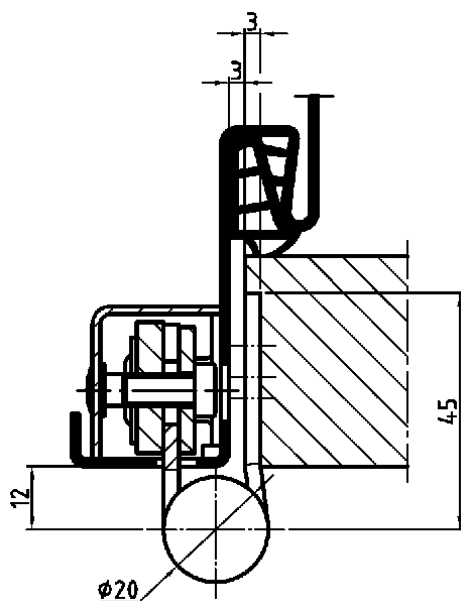
Supplied non-handed

Packaging: 1 / 100 pcs

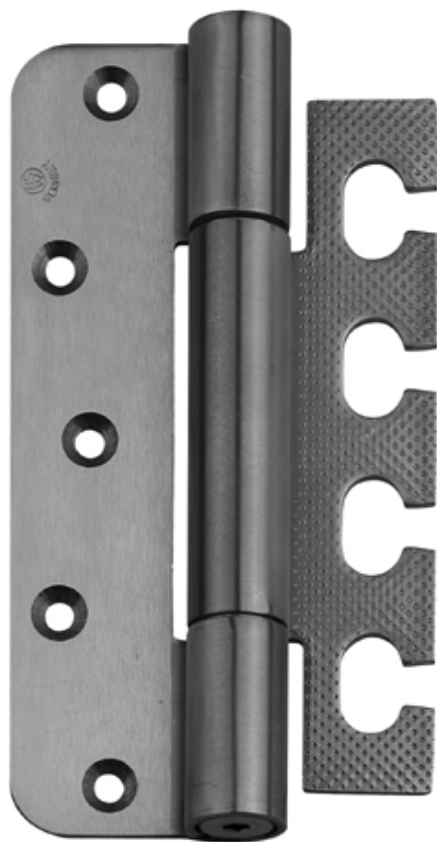
Radius corners

Supplied complete with stainless steel fixing screws

* finishes may be subject to quantity



| | | | |
|----------------|----|--|--|
| CI/SfB | | | |
| 31 | 49 | | |
| September 2007 | | | |



D&E BSW project hinge DE060-3/160/SSS are designed for use with mounting plate (see page C-1007). Once installed on the mounting plate, the 3D adjustment allows easy installation in the trickiest of environments.

The other factor of these hinges is that manufacture of the door and frame set can be carried out in separate locations and then married up on site with the minimum of effort.

Designed for use with the DEVZK060/160GV - see page C-1007

| | | |
|-----------------|-------------------------------|----------------------|
| DE060-3/160/SSS | project hinge for timber door | sat. stainless steel |
| DE060-3/160/PSS | project hinge for timber door | pol. stainless steel |
| DE060-3/160/GV | project hinge for timber door | zinc plated |
| DE060-3/160/RAL | project hinge for timber door | RAL colour* |
| DE060-3/160/B | project hinge for timber door | brass plated |

CE classification:

| | | | | | | | |
|---|---|---|---|---|---|---|----|
| 4 | 7 | 7 | 1 | 1 | 4 | 0 | 14 |
|---|---|---|---|---|---|---|----|

Max door weight: 260Kg

Dimensions:

| | |
|------------------|-------|
| high | 160mm |
| SS thickness | 3mm |
| knuckle diameter | 20mm |

SS grade: SUS 304

Pin: removable pin

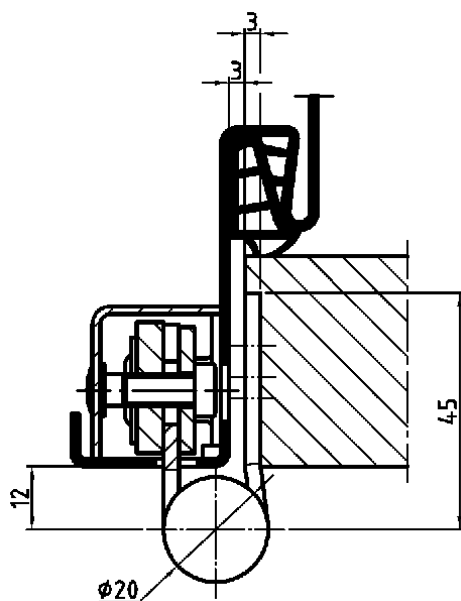
Supplied non-handed

Packaging: 1 / 100 pcs

Radius corners

Supplied complete with stainless steel fixing screws

* finishes may be subject to quantity





D&E Auto-hinge 1000 series.

The 1000 series is a door closer built into a pair of hinges. Comprising of 1 spring hinge and 1 damper hinge and offers a fully adjustable, controlled closing action.

Suitable for use on internal doors up to 35Kg.

| | | |
|--------------|-------------------------------------|-----|
| DE1111/35/L | auto-hinge - LH | SAA |
| DE1111/35/R | auto-hinge - RH | SAA |
| DE1111/35/SL | auto-hinge with H/O - LH | SAA |
| DE1111/35/SR | auto-hinge with H/O - RH | SAA |
| DE1110/L | blank hinge - non load bearing - LH | SAA |
| DE1110/R | blank hinge - non load bearing - RH | SAA |

Hold open angle: 85° (*hold open model only*)

Opening angle: 180°

Door weight: 1 pr 35Kg

Packaging: 1 / 10 prs

Supplied handed (see page C-1016)

Supplied complete with fixing screws

See page C-1015 & C-1016 for all technical information including model specification for timber / metal doors in timber / metal frames etc...

D&E Auto-hinge 100 series.

The 100 series is a door closer built into a pair of hinges. Comprising of 1 spring hinge and 1 damper hinge and offers a fully adjustable, controlled closing action.

Suitable for use on internal doors up to 40Kg.

| | | |
|-------------|-------------------------------------|--------|
| DE112/40/L | auto-hinge - LH | silver |
| DE112/40/R | auto-hinge - RH | silver |
| DE112/40/SL | auto-hinge with H/O - LH | silver |
| DE112/40/SR | auto-hinge with H/O - RH | silver |
| DE110/L | blank hinge - non load bearing - LH | silver |
| DE110/R | blank hinge - non load bearing - RH | silver |

Opening angle: 180°

Hold open angle: 85° & 150° (*hold open model only*)

Door weight: 1 pr 40Kg

Packaging: 1 / 10 prs

Supplied handed (see page C-1016)

Supplied complete with fixing screws

See page C-1015 & C-1016 for all technical information including model specification for timber / metal doors in timber / metal frames etc...



| | | | |
|----------------|----|--|--|
| CI/SfB | | | |
| 31 | 49 | | |
| September 2007 | | | |

D&E Auto-hinge 100 series.

The 100 series is a door closer built into a pair of hinges. Comprising of 1 spring hinge and 1 damper hinge and offers a fully adjustable, controlled closing action.

Suitable for use on internal doors up to 60Kg.

| | | |
|-------------|-------------------------------------|--------|
| DE113/60/L | auto-hinge - LH | silver |
| DE113/60/R | auto-hinge - RH | silver |
| DE113/60/SL | auto-hinge with H/O - LH | silver |
| DE113/60/SR | auto-hinge with H/O - RH | silver |
| DE110/L | blank hinge - non load bearing - LH | silver |
| DE110/R | blank hinge - non load bearing - RH | silver |

Opening angle: 180°
 Hold open angle: 85° & 150° (hold open model only)
 Door weights: 1 pr 60Kg
 Packaging: 1 / 10 prs

Supplied handed (see page C-1016)

Supplied complete with fixing screws

See page C-1015 & C-1016 for all technical information including model specification for timber / metal doors in timber / metal frames etc...



D&E Auto-hinge 100 tri-set series.

The 113 series tri-set is a door closer built into a set of hinges. The tri-set comprises of 2 spring hinges and 1 damper hinge and offers a fully adjustable, controlled closing action.

Suitable for use on internal doors up to 80Kg.

| | | |
|-------------|-------------------------------------|--------|
| DE113/80/L | tri-set auto-hinge - LH | silver |
| DE113/80/R | tri-set auto-hinge - RH | silver |
| DE113/80/SL | tri-set auto-hinge with H/O - LH | silver |
| DE113/80/SR | tri-set auto-hinge with H/O - RH | silver |
| DE110/L | blank hinge - non load bearing - LH | silver |
| DE110/R | blank hinge - non load bearing - RH | silver |

Opening angle: 180°
 Hold open angle: 85° & 150° (hold open model only)
 Door weights: 1 set 80Kg
 Packaging: 1 / 10 sets

Supplied handed (see page C-1016)

Supplied complete with fixing screws

See page C-1015 & C-1016 for all technical information including model specification for timber / metal doors in timber / metal frames etc...



| | | | |
|---------------|----|--|--|
| CI/SfB | | | |
| 31 | 49 | | |
| February 2011 | | | |



D&E Auto-hinge 100 PC series - weather resistant.

The D&E 113PC series is a door closer built into a pair of hinges. Comprising of 1 spring hinge and 1 damper hinge and offers a fully adjustable, controlled closing action which is enhanced by a thermal compensator.

Suitable for use on external doors up to 60Kg.

DE113PC/60/L PC auto-hinge - LH silver
 DE113PC/60/R PC auto-hinge - RH silver

DE113PC/60/SL PC auto-hinge with H/O - LH silver
 DE113PC/60/SR PC auto-hinge with H/O - RH silver

DE110PC/L PC blank hinge - non load bearing - LH silver
 DE110PC/R PC blank hinge - non load bearing - RH silver

Opening angle: 180°

Hold open angle: 85° & 150°

Door weights: 1 pr 60Kg

Packaging: 1 / 10 prs

Supplied handed (see page C-1016)

Supplied complete with fixing screws

See page C-1015 & C-1016 for all technical information including model specification for timber / metal doors in timber / metal frames etc...

D&E Auto-hinge NK153 series.



The D&E NK153 series is a door closer built into either a pair or set of hinges. There are two door weight configurations. The 60Kg models comprise of 1 spring hinge and 1 damper hinge. The 80Kg models comprise of 2 spring hinges and 1 damper hinge. Both offer a fully adjustable, controlled closing action.

Suitable for use on frameless glass doors up to 60Kg.

| | | |
|---------------|-------------------------------------|--------|
| DENK153/60/L | NK153 auto-hinge - LH | silver |
| DENK153/60/R | NK153 auto-hinge - RH | silver |
| DENK153/60/SL | NK153 auto-hinge with HO - LH | silver |
| DENK153/60/SR | NK153 auto-hinge with HO - RH | silver |
| DENK150/L | blank hinge - non load bearing - LH | silver |
| DENK150/R | blank hinge - non load bearing - RH | silver |

| | |
|------------------|----------------------|
| Opening angle: | 180° |
| Hold open angle: | 85° & 150° |
| Door weights: | 1 pair 60Kg |
| Glass thickness: | 8 to 12mm |
| Door dimensions: | 2100 x 900mm |
| Packaging: | 1 / 10 prs |

Supplied handed (see page C-1016)

Supplied complete with fixing screws.

Suitable for use on frameless glass doors up to 80Kg.

| | | |
|---------------|---------------------------------------|--------|
| DENK153/80/L | NK153 tri-set auto-hinge - LH | silver |
| DENK153/80/R | NK153 tri-set auto-hinge - RH | silver |
| DENK153/80/SL | NK153 tri-set auto-hinge with HO - LH | silver |
| DENK153/80/SR | NK153 tri-set auto-hinge with HO - RH | silver |
| DENK150/L | blank hinge - non load bearing - LH | silver |
| DENK150/R | blank hinge - non load bearing - RH | silver |

| | |
|------------------|---------------------|
| Opening angle: | 180° |
| Hold open angle: | 85° & 150° |
| Door weights: | 1 set 80Kg |
| Glass thickness: | 8 to 12mm |
| Door dimensions: | 2200 x 1000mm |
| Packaging: | 1 / 10 prs |

Supplied handed (see page C-1016)

Supplied complete with fixing screws.

| Part No. | | Hand | Max Door Weight | Hold Open Position | Max Opening Angle | Max Door Dimensions |
|-------------------|----------------|------|-----------------|--------------------|-------------------|---------------------|
| Without hold open | With hold open | | | | | |

1000 series

| To suit a Timber door in a Timber frame | | | | | | |
|--|--------|-------|------|-----|------|--------------------------------------|
| 1111R | 1111SR | Right | 35Kg | 85° | 180° | W: 850mm H: 2000mm T: min 30mm |
| 1111L | 1111SL | Left | | | | |
| 1110R | — | Right | — | — | | |
| 1110L | — | Left | — | — | | |

100 series

| To suit a Timber door in a Timber frame | | | | | | |
|--|---------------|-------|------|------------|------|---------------------------------------|
| 112R | 112SR | Right | 40Kg | 85° & 150° | 180° | W: 900mm H: 2100mm T: min 30mm |
| 112L | 112SL | Left | | | | |
| 113R | 113SR | Right | 60Kg | | | |
| 113L | 113SL | Left | | | | |
| 113R Tri-Set | 113SR Tri-Set | Right | 80Kg | | | W: 1000mm H: 2200mm T: min 30mm |
| 113L Tri-Set | 113SL Tri-Set | Left | | | | |
| 110R | — | Right | — | — | | |
| 110L | — | Left | — | — | | |

| To suit a Timber door in a Steel frame | | | | | | |
|---|----------|-------|------|------------|------|--------------------------------------|
| 122R-T | 122SR -T | Right | 40Kg | 85° & 150° | 180° | W: 900mm H: 2100mm T: min 30mm |
| 122L-T | 122SL-T | Left | | | | |
| 120R-T | — | Right | — | — | | |
| 120L-T | — | Left | — | — | | |

| To suit a Steel door in a Steel frame | | | | | | |
|--|---------|-------|------|------------|------|--------------------------------------|
| 143R-T | 143SR-T | Right | 60Kg | 85° & 150° | 180° | W: 900mm H: 2100mm T: min 30mm |
| 143L-T | 143SL-T | Left | | | | |
| 140R-T | — | Right | — | — | | |
| 140L-T | — | Left | — | — | | |

| To suit a Steel door in a Steel frame | | | | | | |
|--|---------|-------|-------|------------|------|---------------------------------------|
| 244R-T | 244SR-T | Right | 120Kg | 85° & 150° | 180° | W: 1200mm H: 2100mm T: min 40mm |
| 244L-T | 244SL-T | Left | | | | |
| 240R-T | — | Right | — | — | | |
| 120L-T | — | Left | — | — | | |

| Part No. | | Hand | Max Door Weight | Hold Open Position | Max Opening Angle | Max Door Dimensions |
|-------------------|----------------|------|-----------------|--------------------|-------------------|---------------------|
| Without hold open | With hold open | | | | | |

100 PC series

To suit timber, aluminium & lightweight steel doors

| Part No. | Part No. | Hand | Max Door Weight | Hold Open Position | Max Opening Angle | Max Door Dimensions |
|----------|----------|-------|-----------------|--------------------|-------------------|--------------------------------------|
| 113R-PC | 113SR-PC | Right | 60Kg | 85° & 150° | 180° | W: 900mm H: 2100mm T: min 30mm |
| 113L-PC | 113SL-PC | Left | | | | |
| 110R | — | Right | — | — | | |
| 110L | — | Left | — | — | | |

To suit aluminium, lightweight steel & partition doors

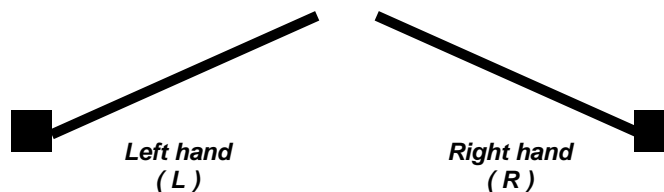
| Part No. | Part No. | Hand | Max Door Weight | Hold Open Position | Max Opening Angle | Max Door Dimensions |
|----------|----------|-------|-----------------|--------------------|-------------------|--------------------------------------|
| 133R-PC | 133SR-PC | Right | 60Kg | 85° & 180° | 180° | W: 900mm H: 2100mm T: min 30mm |
| 133L-PC | 133SL-PC | Left | | | | |
| 130R-PC | — | Right | — | — | | |
| 130L-PC | — | Left | — | — | | |

To suit a Steel door in a Steel frame

| Part No. | Part No. | Hand | Max Door Weight | Hold Open Position | Max Opening Angle | Max Door Dimensions |
|-----------|------------|-------|-----------------|--------------------|-------------------|--------------------------------------|
| 143R-T-PC | 143SR-T-PC | Right | 60Kg | 85° & 150° | 180° | W: 900mm H: 2100mm T: min 30mm |
| 143L-T-PC | 143SL-T-PC | Left | | | | |
| 140R-T-PC | — | Right | — | — | | |
| 140L-T-PC | — | Left | — | — | | |

To suit a Steel door in a Steel frame

| Part No. | Part No. | Hand | Max Door Weight | Hold Open Position | Max Opening Angle | Max Door Dimensions |
|-----------|------------|-------|-----------------|--------------------|-------------------|---------------------------------------|
| 244R-T-PC | 244SR-T-PC | Right | 120Kg | 85° & 150° | 180° | W: 1200mm H: 2100mm T: min 40mm |
| 244L-T-PC | 244SL-T-PC | Left | | | | |
| 240R-T-PC | — | Right | — | — | | |
| 240L-T-PC | — | Left | — | — | | |



| | | | |
|----------------|----|--|--|
| CI/SfB | | | |
| 31 | 49 | | |
| September 2007 | | | |



D&E Auto-hinge - Centre Hang type

The D&E Auto-Hinge centre hang type is a concealed single action pivot door closer. Suitable for use on doors ranging from 40Kg up to 510Kg, it offers a controlled closing action.

| | |
|-----------------|-------------------------------------|
| <i>DEA8K/L</i> | centre hang auto-hinge - LH - 40Kg |
| <i>DEA8K/R</i> | centre hang auto-hinge - RH - 40Kg |
| <i>DEA8/L</i> | centre hang auto-hinge - LH - 50Kg |
| <i>DEA8/R</i> | centre hang auto-hinge - RH - 50Kg |
| <i>DEA10/L</i> | centre hang auto-hinge - LH - 85Kg |
| <i>DEA10/R</i> | centre hang auto-hinge - RH - 85Kg |
| <i>DEA12/L</i> | centre hang auto-hinge - LH - 100Kg |
| <i>DEA12/R</i> | centre hang auto-hinge - RH - 100Kg |
| <i>DEA14/L</i> | centre hang auto-hinge - LH - 130Kg |
| <i>DEA14/R</i> | centre hang auto-hinge - RH - 130Kg |
| <i>DEA16/L</i> | centre hang auto-hinge - LH - 160Kg |
| <i>DEA16/R</i> | centre hang auto-hinge - RH - 160Kg |
| <i>DEA18/L</i> | centre hang auto-hinge - LH - 200Kg |
| <i>DEA18/R</i> | centre hang auto-hinge - RH - 200Kg |
| <i>DEA22/L</i> | centre hang auto-hinge - LH - 240Kg |
| <i>DEA22/R</i> | centre hang auto-hinge - RH - 240Kg |
| <i>DEA26/L</i> | centre hang auto-hinge - LH - 310Kg |
| <i>DEA26/R</i> | centre hang auto-hinge - RH - 310Kg |
| <i>DEA30/L</i> | centre hang auto-hinge - LH - 410Kg |
| <i>DEA30/R</i> | centre hang auto-hinge - RH - 410Kg |
| <i>DEA30H/L</i> | centre hang auto-hinge - LH - 510Kg |
| <i>DEA30H/R</i> | centre hang auto-hinge - RH - 510Kg |

Opening angle: 180°

Door weights: all door weights shown above are subject to certain criteria - see pages C-1018 & C-1019 for further information.

Finish: stove enamelled

Packaging: each

Supplied handed (see page C-1018)

Supplied complete with fixing screws

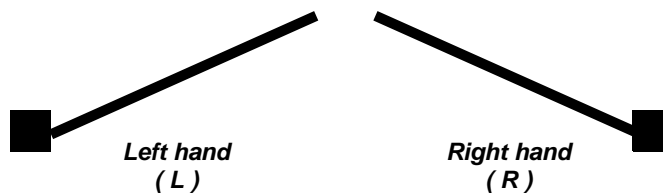
D&E Auto-hinge - Centre Hang Type

| | | | |
|----------------|----|--|--|
| CI/SfB | | | |
| 31 | 49 | | |
| September 2007 | | | |

| model no. | door dimensions (mm) | | | max door weight | standard closing force | max opening angle | |
|-----------|----------------------|---------------|-------------|-----------------|------------------------|-------------------|----------|
| | width | height | thickness | | | | |
| A-8K | 800 (max) | 1850 (max) | 36 (min) | 40 | 6.9 N-m | 180° | |
| A-8 | | 2000 | | 50 | 8.9 N-m | | |
| A-10 | 1000 | 2100 | 40 | 85 | 10.8 N-m | | |
| A-12 | 1200 | | | 100 | 15.7 N-m | | |
| A-14 | 1400 | | | 130 | 19.7 N-m | | |
| A-16 | 1600 | 2400 | 45 | 160 | 24.6 N-m | | |
| A-18 | 1800 | | | 50 | 200 | | 41.2 N-m |
| A-22 | 2200 | | | | 240 | | 49.1 N-m |
| A-26 | 2600 | 2600 | 55 | 310 | 60.9 N-m | | |
| A-30 | 3000 | | | 410 | 68.7 N-m | | |
| A-30H | | | | 510 | | | |

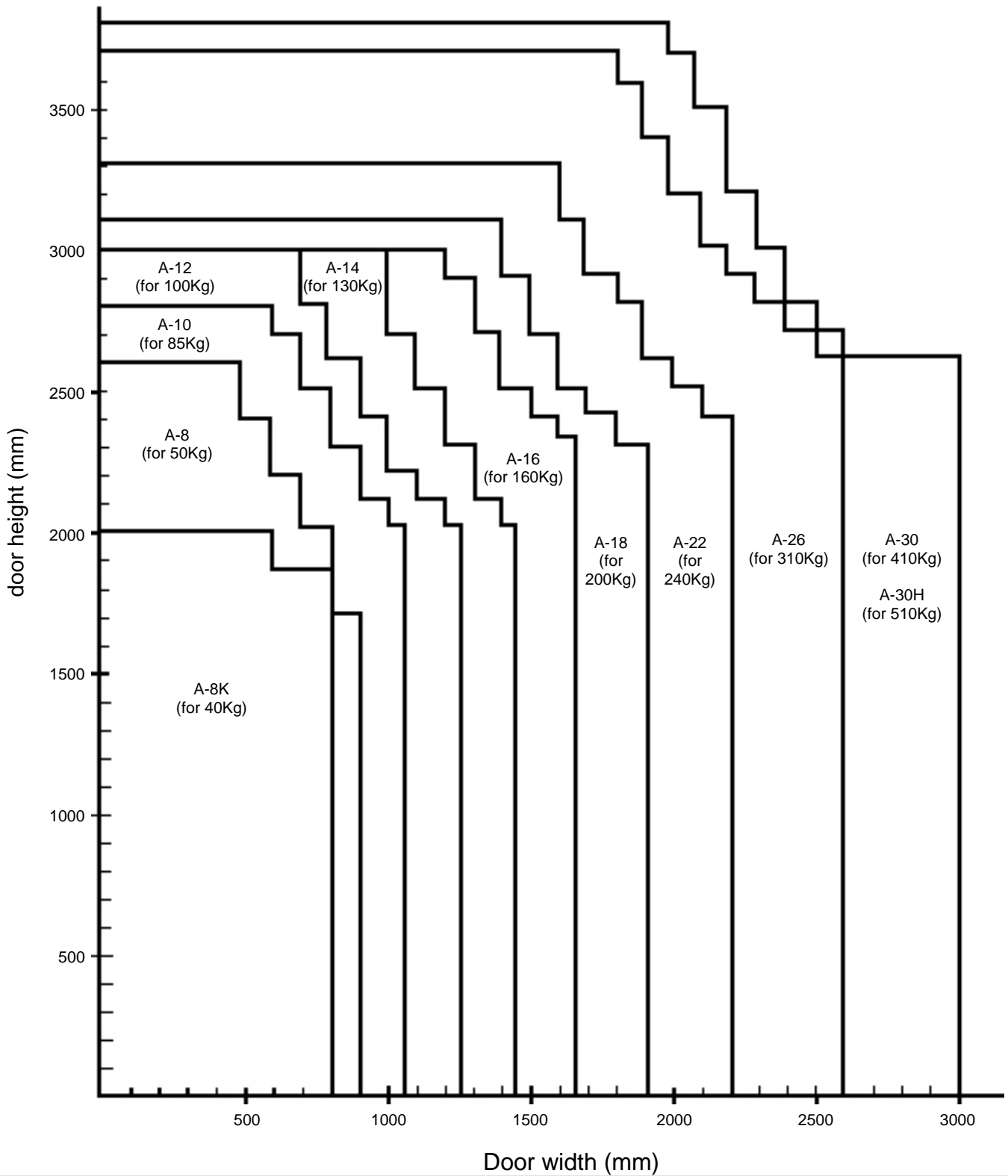
- Select an appropriate model according to the dimensions (height x width) of the door.
(See chart on page C-1019)
 - Ensure that the door weight is within the guidelines set out in the table below.
- N.B. The chart on page C-1019 is based on a wind velocity of 3m/sec. If being used in conjunction with a smoke ventilation system or should the wind conditions be any greater then please contact the sales office.

| <i>model</i> | <i>weight / 1m²</i> | <i>type of door</i> |
|------------------|--------------------------------|--------------------------------------|
| A-8K | 27Kg/m ² max | steel door (only for wicket door) |
| A-8 | 31Kg/m ² max | steel door |
| A-10, A-12 | 39Kg/m ² max | |
| A-14, A-16 | 41Kg/m ² max | |
| A-18, A-22, A-26 | 45Kg/m ² max | |
| A-30 | 52Kg/m ² max | |
| A-30H | 65Kg/m ² max | |



D&E Auto-hinge - Centre Hang Type

| | | | |
|----------------|----|--|--|
| CI/SfB | | | |
| 31 | 49 | | |
| September 2007 | | | |



Sales: 01733 896123

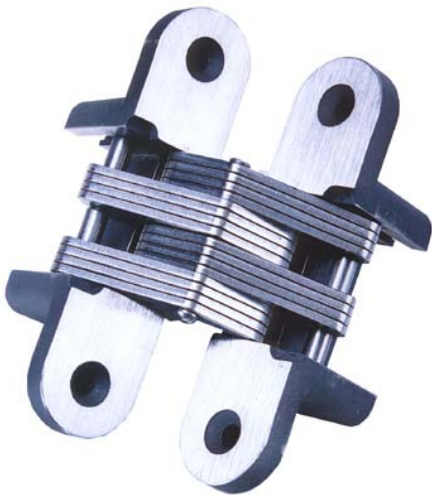


C-1019

Fax: 01733 894466

E&OE

| | | | |
|----------------|----|--|--|
| CI/SfB | | | |
| 31 | 49 | | |
| September 2007 | | | |



D&E Soss invisible hinge

D&E Soss invisible hinges are manufactured to exacting standards and high tolerances. The hinges are intelligently engineered to provide a state of the art product with 180° opening angle, which offers a fully concealed hinge when the door is closed.

Fire rated option.

DE218F - 30 minute fire tested version successfully tested as part of a door set by Warrington Fire Research Station in accordance with BS476: Pt22: 1987 Section 6.

218SS - 60 minute fire tested version - successfully tested at the Chiltern Fire Research Station in accordance with BS476: Pt22: 1987.

Crimestall option

DE218C - Crimestall hinge is a DE218 with integral dog bolts. Suitable for any application where security is an issue.



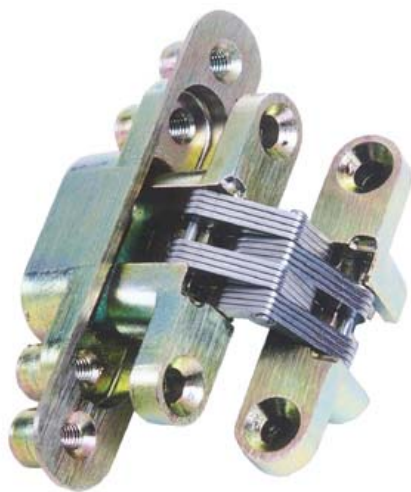
D&E Soss invisible door closer hinge

The D&E Soss invisible door closer hinge is a completely concealed door closer. It is ideally suited to environments where an overhead closer can not be installed.

For use with the DE218 hinge only.

Suitable for use on doors up to 25Kgs in weight.

Fire pack available for use on 30 minute fire doors is available.



D&E Soss invisible hinge - Metal enclosures

Consisting of the DE204SSL & the DEBOOT this is ideal for metal enclosures housing electrical or electronic equipment for street lighting, cable tv, superhighway, mobile communications, cctv and data network equipment and even internet kiosks.

Installation of the DE204SSL (*DE204 with stainless steel links*) is fast and accurate with the Soss Ingress Protection Supports. These special supports aid internal and external cabinets to achieve the IP55 & IP65 rating against ingress of dust, dirt & moisture.



DE314

DE205

| | | |
|-------------|--------------------------------|--------------------|
| DE314B | sooss hinge - mild steel links | brass plated |
| DE314SNP | sooss hinge - mild steel links | sat. nickel plated |
| DE314ZP | sooss hinge - mild steel links | zinc plated |
| DE205B | sooss hinge - mild steel links | brass plated |
| DE205SNP | sooss hinge - mild steel links | sat. nickel plated |
| DE205ZP | sooss hinge - mild steel links | zinc plated |
| DE204B/BT | sooss hinge boot | brass plated |
| DE204SNP/BT | sooss hinge boot | brass plated |
| DE204ZP/BT | sooss hinge boot | zinc plated |

D&E soss hinges

D&E soss hinges are suitable for use on standard doors, concealed doors, top opening doors, room dividing doors, flip top tables & sales counters to name but a few. The design possibilities are limitless.



DE101

DE103

DE303

| | | |
|--------------|---|----------------------|
| DE101B | sooss hinge - mild steel links | brass plated |
| DE101SNP | sooss hinge - mild steel links | sat. nickel plated |
| DE103B | sooss hinge - mild steel links | brass plated |
| DE103SNP | sooss hinge - mild steel links | sat. nickel plated |
| DE303B | sooss hinge - mild steel links | brass plated |
| DE303SNP | sooss hinge - mild steel links | sat. nickel plated |
| DE203B | sooss hinge - mild steel links | brass plated |
| DE203SNP | sooss hinge - mild steel links | sat. nickel plated |
| DE203SS | sooss hinge - 100% stainless steel | sat. stainless steel |
| DE204B | sooss hinge - mild steel links | brass plated |
| DE204SNP | sooss hinge - mild steel links | sat. nickel plated |
| DE204A/B | adjustable sooss hinge - mild steel links | brass plated |
| DE204A/SNP | adjustable sooss hinge - mild steel links | sat. nickel plated |
| DE204SSL/B | sooss hinge - st. steel links | brass plated* |
| DE204SSL/SNP | sooss hinge - st. steel links | sat. nickel plated* |
| DE204SS | sooss hinge - 100% stainless steel | sat. stainless steel |



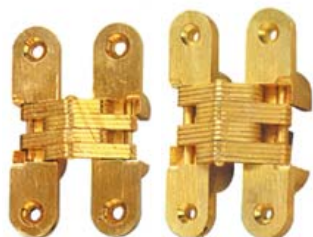
DE203

DE204

| | | | |
|----------------|----|--|--|
| CI/SfB | | | |
| 31 | 49 | | |
| September 2007 | | | |

D&E soss hinges - cont'd

D&E soss hinges are suitable for use on standard doors, concealed doors, top opening doors, room dividing doors, flip top tables & sales counters to name but a few. The design possibilities are limitless.



DE208 DE212

| | | |
|--------------|-----------------------------------|----------------------|
| DE208B | soss hinge - mild steel links | brass plated |
| DE208SNP | soss hinge - mild steel links | sat. nickel plated |
| DE208SSL/B | soss hinge - st. steel links | brass plated* |
| DE208SSL/SNP | soss hinge - st. steel links | sat. nickel plated* |
| DE208SS | soss hinge - 100% stainless steel | sat. stainless steel |



DE216 DE218

| | | |
|----------|-----------------------------------|----------------------|
| DE212B | soss hinge - mild steel links | brass plated |
| DE212SNP | soss hinge - mild steel links | sat. nickel plated |
| DE212SS | soss hinge - 100% stainless steel | sat. stainless steel |

| | | |
|----------|-----------------------------------|----------------------|
| DE216B | soss hinge - mild steel links | brass plated |
| DE216SNP | soss hinge - mild steel links | sat. nickel plated |
| DE216SS | soss hinge - 100% stainless steel | sat. stainless steel |



DE220

| | | |
|--------------|--|----------------------|
| DE218B | soss hinge - nylon / mild steel links | brass plated |
| DE218SNP | soss hinge - nylon / mild steel links | sat. nickel plated |
| DE218F/B | fire rated ¹ hinge - mild steel links | brass plated |
| DE218F/SNP | fire rated ¹ hinge - mild steel links | sat. nickel plated |
| DE218SSL/B | soss hinge - st. steel links | brass plated* |
| DE218SSL/SNP | soss hinge - st. steel links | sat. nickel plated* |
| DE218SS | fire rated ² hinge - 100% stainless steel | sat. stainless steel |
| DE218A/B | adjustable soss hinge - mild steel links | brass plated |
| DE218A/SNP | adjustable soss hinge - mild steel links | sat. nickel plated |
| DE218C/B | crimestall soss hinge - mild steel links | brass plated |
| DE218C/SNP | crimestall soss hinge - mild steel links | sat. nickel plated |
| DE218DC/B | door closer soss hinge - mild steel links | brass plated |
| DE218DC/SNP | door closer soss hinge - mild steel links | sat. nickel plated |

| | | |
|----------|-----------------------------------|----------------------|
| DE220B | soss hinge - mild steel links | brass plated |
| DE220SNP | soss hinge - mild steel links | sat. nickel plated |
| DE220SS | soss hinge - 100% stainless steel | sat. stainless steel |

* Hinges with stainless steel links are available to order.

¹ Tested by Warrington Fire Research as part of a door set in accordance with BS476 : part 22 : 1987 section 6 for use on 30 minute for doors.

² Tested by Warrington Fire Research as part of a door set in accordance with BS476 : part 22 : 1987 section 6 for use on 60 minute for doors.

| | | | |
|----------------|----|--|--|
| CI/SfB | | | |
| 31 | 49 | | |
| September 2007 | | | |

Identifying the correct hinge

The stringent method of identifying the correct hinge for the task in hand is to follow these four easy steps.

1. Determine the width, thickness and height of the door.
2. Once the above is achieved go to table 1. Locate the width and the weight of your door and draw a straight line through those two points, continuing the line on to the left hand edge of table 2. An example of this has been illustrated by a dotted line for a door 800mm wide and 85Kg in weight.
3. Where the line meets the left hand edge of table 2, draw a horizontal line the full width of the table. This determines your recommended hinge.
4. If you look at the dotted line this meets a light blue box, this indicates that if your door has a minimum thickness of 41mm then you can use 4 hinges type DE218, or, if you follow the line through to the next column because your door has a minimum thickness of 48mm then you must use 3 hinges of type DE220.

Finishes available:

| | |
|-----------------|-------|
| brassed | - B |
| satin nickel | - SNP |
| stainless steel | - SS |

(Stainless Steel only available as models 204, 212, 216, 218 & 220)

Table 1

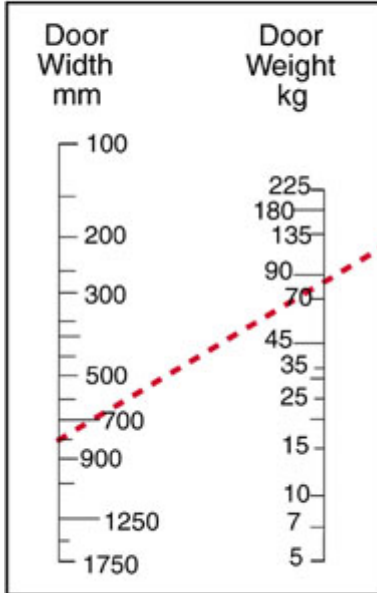
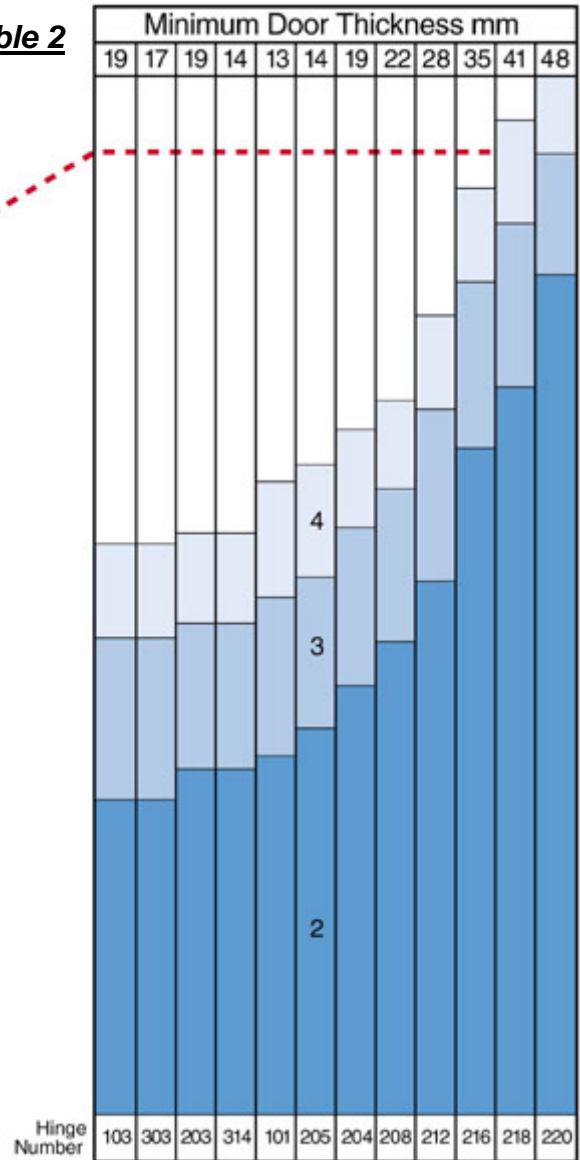


Table 2



| | | | |
|-------------|----|--|--|
| CI/SfB | | | |
| 31 | 49 | | |
| August 2011 | | | |

D&E weld on hinge with removable pin

Weld on mild steel and stainless steel hinges. Available in sizes from 60mm to 200mm for the steel range and from 80mm to 140mm in the stainless steel range. Supplied non-handed.



DEH401 mild steel weld on hinge.

| | | |
|-----------|-----------------------|----------------|
| DEH401060 | weld on hinge - 60mm | natural finish |
| DEH401080 | weld on hinge - 80mm | natural finish |
| DEH401100 | weld on hinge - 100mm | natural finish |
| DEH401120 | weld on hinge - 120mm | natural finish |
| DEH401140 | weld on hinge - 140mm | natural finish |
| DEH401170 | weld on hinge - 170mm | natural finish |
| DEH401200 | weld on hinge - 200mm | natural finish |

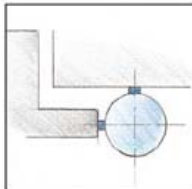
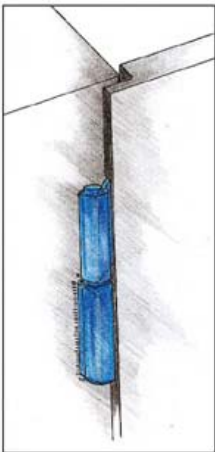
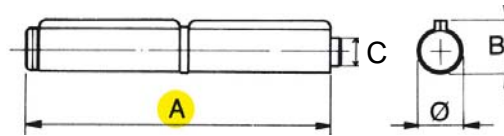
Pin: removable pin



DEH901 stainless steel weld on hinge.

| | | |
|-----------|-----------------------|---------------------|
| DEH901080 | weld on hinge - 80mm | natural finish (ss) |
| DEH901100 | weld on hinge - 100mm | natural finish (ss) |
| DEH901120 | weld on hinge - 120mm | natural finish (ss) |
| DEH901140 | weld on hinge - 140mm | natural finish (ss) |

Pin: removable pin



| Technical Data | | | | | | | |
|-----------------------------|-----|------|------|------|------|------|-----|
| Dimension A (mm) | 60 | 80 | 100 | 120 | 140 | 170 | 200 |
| Body Ø (mm) | 9.5 | 12 | 13.5 | 15 | 16.6 | 17.5 | 22 |
| Dimension B (mm) | 13 | 16.5 | 18 | 19.5 | 22 | 23.5 | 25 |
| Dimension C / Pin Ø (mm) | 6 | 8 | 8.5 | 10 | 10.5 | 12 | 14 |
| Max door weight per pr (Kg) | 40 | 50 | 70 | 90 | 90 | 100 | 120 |
| Packaging - pcs per pack | 24 | 24 | 24 | 24 | 24 | 12 | 12 |

NB: These items are only sold in pack quantities

D&E 3 leaf weld on hinge - loose pin

| | | | |
|-------------|----|--|--|
| CI/SfB | | | |
| 31 | 49 | | |
| August 2011 | | | |

D&E 3 leaf weld on hinge with removable pin

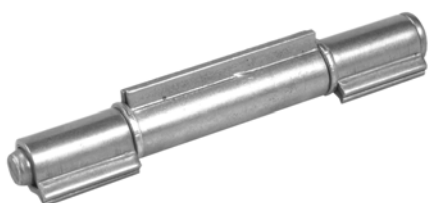
Steel weld on hinge. Available in sizes from 80mm to 200mm. Supplied non-handed.



DEH402 steel 3 leaf weld on hinge.

| | | |
|-----------|-----------------------|----------------|
| DEH402080 | weld on hinge - 80mm | natural finish |
| DEH402100 | weld on hinge - 100mm | natural finish |
| DEH402120 | weld on hinge - 120mm | natural finish |
| DEH402140 | weld on hinge - 140mm | natural finish |
| DEH402170 | weld on hinge - 170mm | natural finish |
| DEH402200 | weld on hinge - 200mm | natural finish |

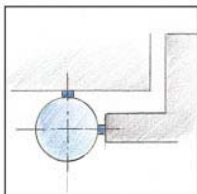
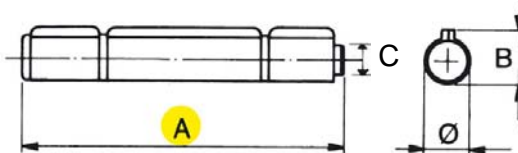
Pin: removable pin



DEH902 stainless steel 3 leaf weld on hinge.

| | | |
|-----------|-----------------------|---------------------|
| DEH902080 | weld on hinge - 80mm | natural finish (ss) |
| DEH902100 | weld on hinge - 100mm | natural finish (ss) |
| DEH902120 | weld on hinge - 120mm | natural finish (ss) |
| DEH902140 | weld on hinge - 140mm | natural finish (ss) |

Pin: removable pin



| Technical Data | | | | | | |
|-----------------------------|------|------|------|------|------|-----|
| Dimension A (mm) | 80 | 100 | 120 | 140 | 170 | 200 |
| Body Ø (mm) | 12 | 13.5 | 15 | 16.5 | 17.5 | 20 |
| Dimension B (mm) | 16.5 | 18 | 19.5 | 22 | 23.5 | 27 |
| Dimension C / Pin Ø (mm) | 8 | 8.5 | 10 | 10.5 | 12 | 14 |
| Max door weight per pr (Kg) | 70 | 90 | 100 | 100 | 120 | 140 |
| Packaging - pcs per pack | 24 | 24 | 24 | 24 | 12 | 12 |

NB: These items are only sold in pack quantities

| | | | |
|-------------|----|--|--|
| CI/SfB | | | |
| 31 | 49 | | |
| August 2011 | | | |

D&E weld on hinge with fixed pin

Steel and stainless steel weld on hinges. Available in sizes 60mm to 200mm for the steel range and 80mm to 140mm in stainless steel. Supplied non-handed.



DEH400 steel weld on hinge.

| | | |
|-----------|-----------------------|----------------|
| DEH400060 | weld on hinge - 60mm | natural finish |
| DEH400080 | weld on hinge - 80mm | natural finish |
| DEH400100 | weld on hinge - 100mm | natural finish |
| DEH400120 | weld on hinge - 120mm | natural finish |
| DEH400140 | weld on hinge - 140mm | natural finish |
| DEH400170 | weld on hinge - 170mm | natural finish |
| DEH400200 | weld on hinge - 200mm | natural finish |

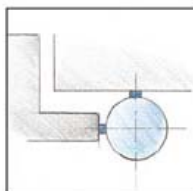
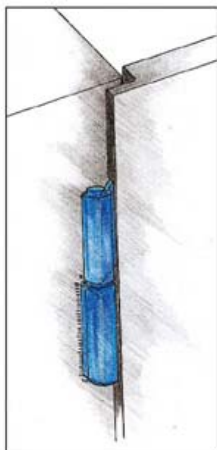
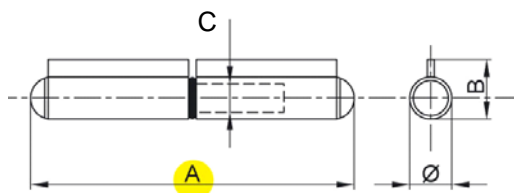
Pin: fixed pin



DEH900 stainless steel weld on hinge.

| | | |
|-----------|-----------------------|---------------------|
| DEH900080 | weld on hinge - 80mm | natural finish (ss) |
| DEH900100 | weld on hinge - 100mm | natural finish (ss) |
| DEH900120 | weld on hinge - 120mm | natural finish (ss) |
| DEH900140 | weld on hinge - 140mm | natural finish (ss) |

Pin: fixed pin



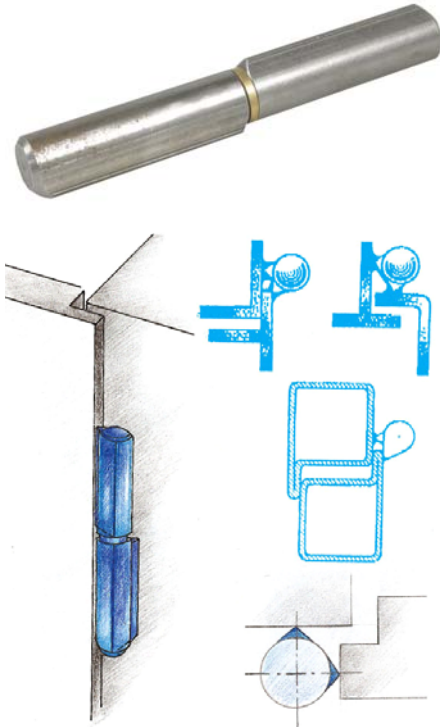
| Technical Data | | | | | | | |
|-----------------------------|----|----|------|------|-----|------|------|
| Dimension A (mm) | 60 | 80 | 100 | 120 | 140 | 170 | 200 |
| Body Ø (mm) | 12 | 12 | 13.5 | 14.5 | 16 | 17 | 20 |
| Dimension B (mm) | 17 | 17 | 19 | 20 | 21 | 23.5 | 23.5 |
| Dimension C / Pin Ø (mm) | 8 | 8 | 9 | 10 | 11 | 12 | 14 |
| Max door weight per pr (Kg) | 40 | 50 | 70 | 90 | 90 | 100 | 120 |
| Packaging - pcs per pack | 24 | 24 | 24 | 24 | 24 | 12 | 12 |

NB: These items are only sold in pack quantities

| | | | |
|-------------|----|--|--|
| CI/SfB | | | |
| 31 | 49 | | |
| August 2011 | | | |

D&E drop profile weld on hinge with fixed pin

Steel weld on hinges. Available in sizes from 40mm to 200mm depending on the range. Supplied non-handed.



DEH414 steel weld on hinge with brass pin & a steel washer

| | | |
|-----------|-----------------------|----------------|
| DEH414040 | weld on hinge - 40mm | natural finish |
| DEH414060 | weld on hinge - 60mm | natural finish |
| DEH414080 | weld on hinge - 80mm | natural finish |
| DEH414100 | weld on hinge - 100mm | natural finish |
| DEH414120 | weld on hinge - 120mm | natural finish |
| DEH414140 | weld on hinge - 140mm | natural finish |

DEH414A steel weld on hinge with a steel pin & brass washer

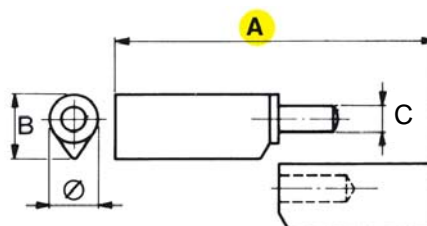
| | | |
|------------|-----------------------|----------------|
| DEH414040A | weld on hinge - 40mm | natural finish |
| DEH414060A | weld on hinge - 60mm | natural finish |
| DEH414080A | weld on hinge - 80mm | natural finish |
| DEH414100A | weld on hinge - 100mm | natural finish |
| DEH414120A | weld on hinge - 120mm | natural finish |
| DEH414140A | weld on hinge - 140mm | natural finish |
| DEH414160A | weld on hinge - 160mm | natural finish |
| DEH414180A | weld on hinge - 180mm | natural finish |
| DEH414200A | weld on hinge - 200mm | natural finish |

DEH414O steel weld on hinge with a brass pin & washer

| | | |
|------------|-----------------------|----------------|
| DEH414040O | weld on hinge - 40mm | natural finish |
| DEH414060O | weld on hinge - 60mm | natural finish |
| DEH414080O | weld on hinge - 80mm | natural finish |
| DEH414100O | weld on hinge - 100mm | natural finish |
| DEH414120O | weld on hinge - 120mm | natural finish |
| DEH414140O | weld on hinge - 140mm | natural finish |
| DEH414160O | weld on hinge - 160mm | natural finish |
| DEH414180O | weld on hinge - 180mm | natural finish |
| DEH414200O | weld on hinge - 200mm | natural finish |

Pin: fixed

Packaging: see table below



| Technical Data | | | | | | | | | |
|-----------------------------|----|----|----|-----|-----|-----|-----|-----|-----|
| Dimension A (mm) | 40 | 60 | 80 | 100 | 120 | 140 | 160 | 180 | 200 |
| Body Ø (mm) | 10 | 10 | 12 | 14 | 16 | 16 | 20 | 22 | 22 |
| Dimension B (mm) | 12 | 12 | 14 | 16 | 18 | 18 | 23 | 25 | 25 |
| Dimension C / Pin Ø (mm) | 6 | 6 | 7 | 8 | 9 | 9 | 12 | 14 | 14 |
| Max door weight per pr (Kg) | 20 | 20 | 40 | 50 | 60 | 60 | 80 | 100 | 100 |
| Packaging - pcs per pack | 24 | 24 | 24 | 24 | 24 | 24 | 12 | 12 | 12 |

NB: These items are only sold in pack quantities

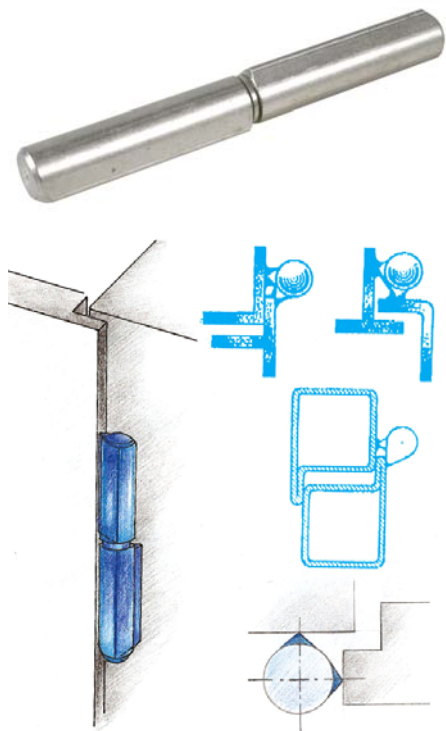
| | | | |
|-------------|----|--|--|
| CI/SfB | | | |
| 31 | 49 | | |
| August 2011 | | | |

D&E drop profile weld on hinge with fixed pin

Stainless steel weld on hinges. Available in sizes 40 to 160mm.
Supplied non-handed.

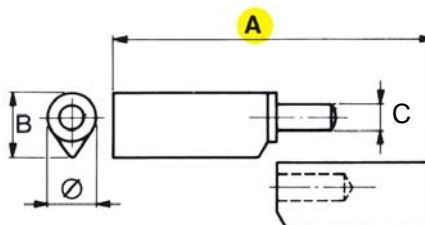
DEH914 stainless steel weld on hinge.

| | | |
|-----------|-----------------------|---------------------|
| DEH914040 | weld on hinge - 40mm | natural finish (ss) |
| DEH914060 | weld on hinge - 60mm | natural finish (ss) |
| DEH914080 | weld on hinge - 80mm | natural finish (ss) |
| DEH914100 | weld on hinge - 100mm | natural finish (ss) |
| DEH914120 | weld on hinge - 120mm | natural finish (ss) |
| DEH914140 | weld on hinge - 140mm | natural finish (ss) |
| DEH914160 | weld on hinge - 160mm | natural finish (ss) |



Pin: fixed

Packaging: see table below



| Technical Data | | | | | | | |
|-----------------------------|----|----|----|-----|-----|-----|-----|
| Dimension A (mm) | 40 | 60 | 80 | 100 | 120 | 140 | 160 |
| Body Ø (mm) | 10 | 10 | 12 | 14 | 16 | 16 | 18 |
| Dimension B (mm) | 12 | 12 | 14 | 16 | 18 | 18 | 20 |
| Dimension C / Pin Ø (mm) | 6 | 6 | 7 | 8 | 9 | 9 | 10 |
| Max door weight per pr (Kg) | 20 | 20 | 40 | 50 | 60 | 60 | 80 |
| Packaging - pcs per pack | 24 | 24 | 24 | 24 | 24 | 24 | 12 |

NB: These items are only sold in pack quantities

| | | | |
|-------------|----|--|--|
| CI/SfB | | | |
| 31 | 49 | | |
| August 2011 | | | |

D&E heavy duty drop profile weld on hinge with fixed pin

The D&E DEH415 series of heavy duty drop profile weld on hinges are manufactured from steel with a fixed pin.



DEH415 - brass pin with brass washer

| | | |
|--------------|-----------------------------|----------------|
| DEH415018140 | steel weld on hinge - 140mm | natural finish |
| DEH415022150 | steel weld on hinge - 150mm | natural finish |

DEH415A - steel pin with ball bearing washer

| | | |
|---------------|-----------------------------|----------------|
| DEH415018140A | steel weld on hinge - 140mm | natural finish |
| DEH415022150A | steel weld on hinge - 150mm | natural finish |

DEH415OC - brass pin with ball bearing washer

| | | |
|----------------|-----------------------------|----------------|
| DEH415018140OC | steel weld on hinge - 140mm | natural finish |
| DEH415022150OC | steel weld on hinge - 150mm | natural finish |

DEH415FOC - brass pin with ball bearing washer

| | | |
|-----------------|-----------------------------|----------------|
| DEH415020150FOC | steel weld on hinge - 150mm | natural finish |
|-----------------|-----------------------------|----------------|

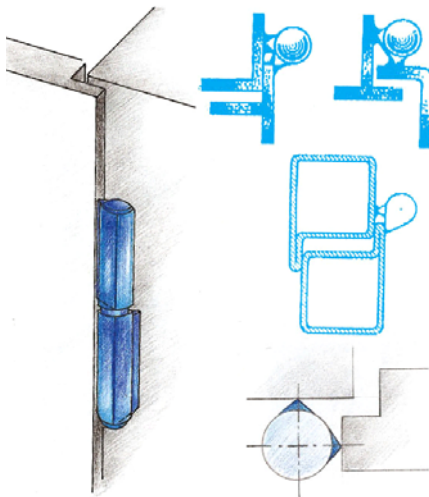
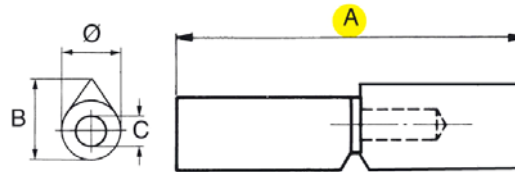


DEH415OCP - brass pin with ball bearing washer

| | | |
|-----------------|-----------------------------|----------------|
| DEH415020100OCP | steel weld on hinge - 100mm | natural finish |
|-----------------|-----------------------------|----------------|

Pin: fixed

Packaging: see table below



| Technical Data | | | | |
|-----------------------------|--------------|-----|-----|-----|
| | 415 / A / OC | FOC | OCP | |
| Dimension A (mm) | 150 | 146 | 150 | 100 |
| Body Ø (mm) | 22 | 18 | 20 | 20 |
| Dimension B (mm) | 25 | 20 | 25 | 25 |
| Dimension C / Pin Ø (mm) | 14 | 10 | 12 | 12 |
| Max door weight per pr (Kg) | 100 | 100 | 100 | 90 |
| Packaging - pcs per pack | 12 | 20 | 12 | 12 |

NB: These items are only sold in pack quantities

| | | | |
|-------------|----|--|--|
| CI/SfB | | | |
| 31 | 49 | | |
| August 2011 | | | |

D&E heavy duty adjustable weld on hinge

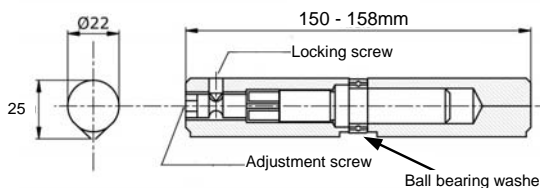
The D&E adjustable gate hinge is manufactured from steel. With the 10mm adjustment, correct installation of the door / gates can be achieved easily.



DEH415022150R/150 weld on hinge - 150mm natural finish

Max door weight: 100Kg (per pair)

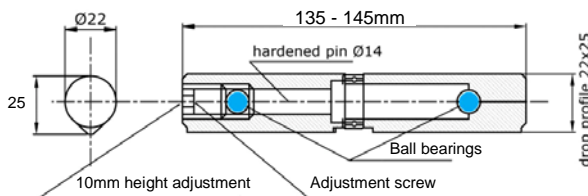
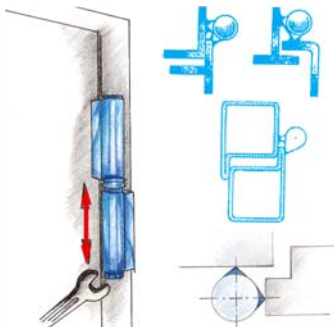
Packaging: 12 pcs



DEH415022150RD/150 double ball bearing pin weld on hinge natural finish

Max door weight: 100Kg (per pair)

Packaging: 12 pcs



| | | | |
|-------------|----|--|--|
| CI/SfB | | | |
| 31 | 49 | | |
| August 2011 | | | |

D&E weld on hinge - wrought iron style

The D&E wrought iron style hinge is manufactured from cast iron.



DEH860 - steel pin with brass washer

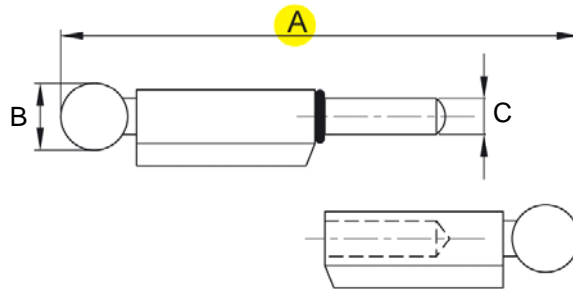
| | | |
|-----------|-----------------------|----------------|
| DEH860105 | weld on hinge - 105mm | natural finish |
| DEH860125 | weld on hinge - 135mm | natural finish |
| DEH860150 | weld on hinge - 150mm | natural finish |

DEH860 - steel pin with ball bearing washer

| | | |
|-------------|-----------------------|----------------|
| DEH860105BB | weld on hinge - 105mm | natural finish |
| DEH860125BB | weld on hinge - 140mm | natural finish |
| DEH860150BB | weld on hinge - 150mm | natural finish |

Pin: fixed

Packaging: see table below



| Technical Data | | | | | | |
|-----------------------------|--------------|-----|-----|---------------------|-----|-----|
| | Brass washer | | | Ball bearing washer | | |
| Dimension A (mm) | 105 | 135 | 150 | 110 | 140 | 155 |
| Dimension B / Body Ø (mm) | 21 | 25 | 30 | 21 | 25 | 30 |
| Dimension C / Pin Ø (mm) | 12 | 14 | 16 | 12 | 14 | 16 |
| Max door weight per pr (Kg) | 60 | 80 | 100 | 60 | 80 | 100 |
| Packaging - pcs per pack | 10 | 10 | 10 | 10 | 10 | 10 |

NB: These items are only sold in pack quantities

| | | | |
|-------------|----|--|--|
| CI/SfB | | | |
| 31 | 49 | | |
| August 2011 | | | |

D&E heavy duty open wing weld on hinge

D&E heavy duty open wing weld on hinges, manufactured from steel with a removable pin.



DEH486A - steel pin with brass washer
DEH486012A

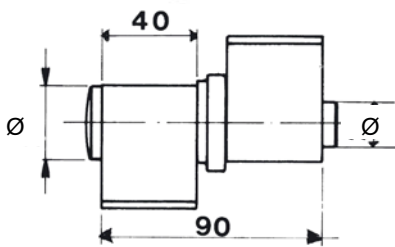
weld on hinge - 90mm natural finish

Pin: 12mm Ø / removable

Knuckle: 18mm

Max door weight: 30Kg

Packaging: 20 pcs



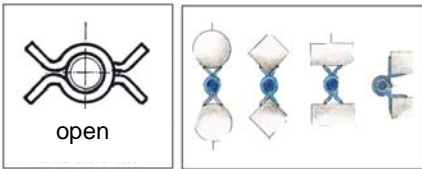
DEH486016A weld on hinge - 90mm natural finish

Knuckle: 23mm

Pin: 16mm Ø / removable

Max door weight: 50Kg

Packaging: 10 pcs



D&E heavy duty weld on hinge

D&E heavy duty weld on hinges, manufactured from steel with a removable pin.



DEH486C - steel pin with brass washer
DEH486012C

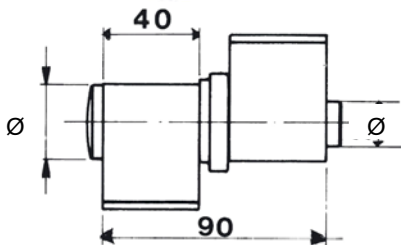
weld on hinge - 90mm natural finish

Pin: 12mm Ø / removable

Knuckle: 18mm

Max door weight: 30Kg

Packaging: 20 pcs



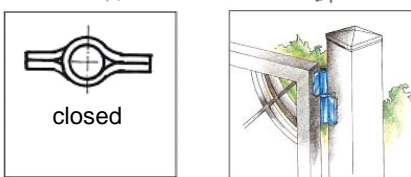
DEH486016C weld on hinge - 90mm natural finish

Pin: 16mm Ø / removable

Knuckle: 23mm

Max door weight: 50Kg

Packaging: 10 pcs



NB: These items are only sold in pack quantities

| | | | |
|-------------|----|--|--|
| CI/SfB | | | |
| 31 | 49 | | |
| August 2011 | | | |

D&E heavy duty open wing weld on hinge

D&E heavy duty weld on hinges, manufactured from steel with a removable pin.



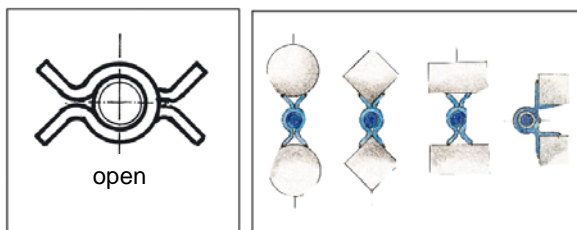
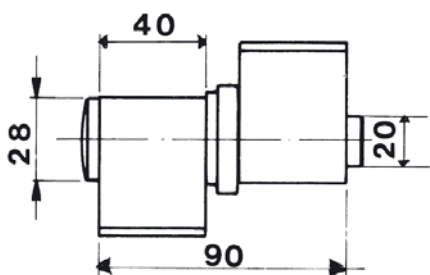
DEH403A - steel pin with brass washer
 DEH403A weld on hinge natural finish

DEH404ABB - steel pin with ball bearing washer
 DEH404ABB weld on hinge natural finish

Max door weight: 80Kg per pair

Pin: removable

Packaging: 8 pcs per pack



D&E heavy duty weld on hinge

D&E heavy duty weld on hinges, manufactured from steel with a removable pin.



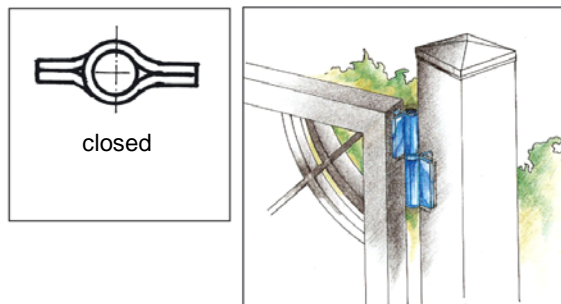
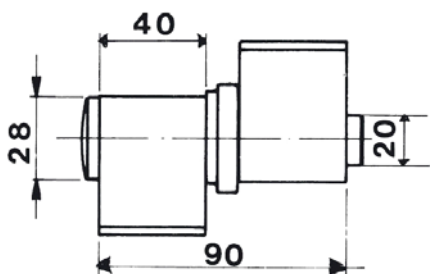
DEH403C - steel pin with brass washer
 DEH403C weld on hinge natural finish

DEH404CBB - steel pin with ball bearing washer
 DEH404CBB weld on hinge natural finish

Max door weight: 80Kg per pair

Pin: removable

Packaging: 12 pcs per pack



NB: These items are only sold in pack quantities

| | | | |
|-------------|----|--|--|
| CI/SfB | | | |
| 31 | 49 | | |
| August 2011 | | | |

D&E heavy duty open wing weld on hinge



D&E heavy duty open leaf weld on hinges, manufactured from steel with a removable pin.

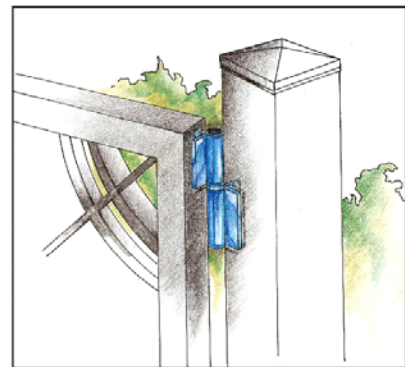
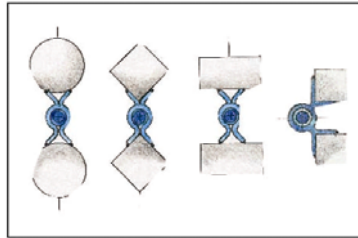
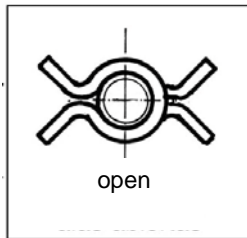
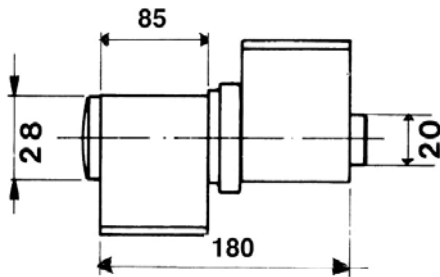
DEH403LA - steel pin with brass washer
DEH403LA weld on hinge natural finish

DEH404LABB - steel pin with ball bearing washer
DEH404LABB weld on hinge natural finish

Max door weight: 100Kg per pair

Pin: removable

Packaging: 4 pcs per pack



D&E heavy duty weld on hinge

D&E heavy duty weld on hinges, manufactured from steel with a removable pin.

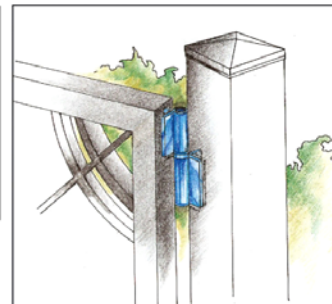
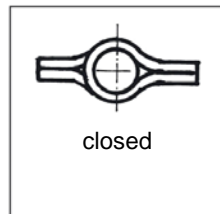
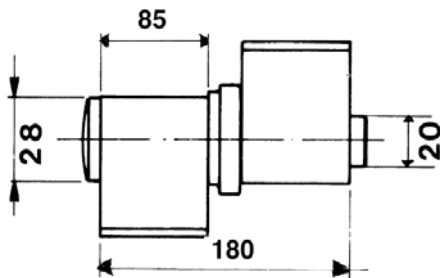
DEH403LC - steel pin with brass washer
DEH403LC weld on hinge natural finish

DEH404LCBB - steel pin with ball bearing washer
DEH404LCBB weld on hinge natural finish

Max door weight: 100Kg per pair

Pin: removable

Packaging: 6 pcs per pack



NB: These items are only sold in pack quantities

| | | | |
|-------------|----|--|--|
| CI/SfB | | | |
| 31 | 49 | | |
| August 2011 | | | |

D&E 3 leaf heavy duty open wing weld on hinge



D&E 3 leaf heavy duty open wing weld on hinges, manufactured from steel with a removable pin.

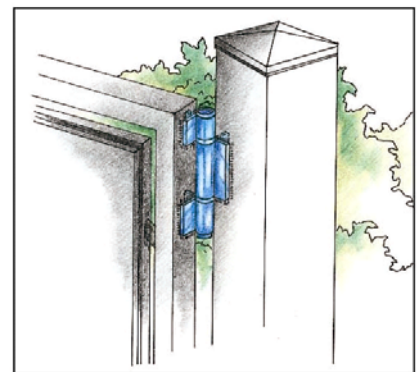
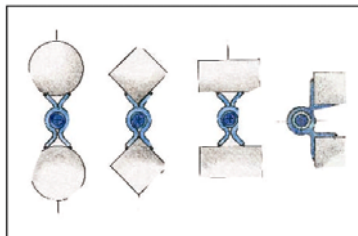
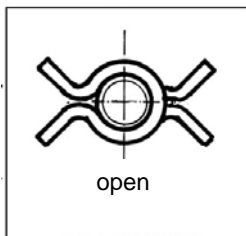
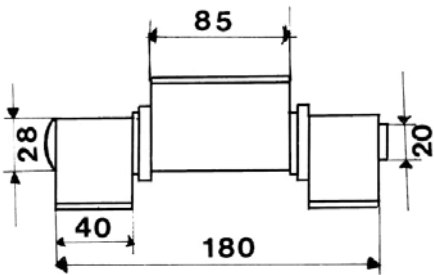
DEH405A - steel pin with brass washer
DEH405A weld on hinge natural finish

DEH406ABB - steel pin with ball bearing washer
DEH406ABB weld on hinge natural finish

Max door weight: 120Kg per pair

Pin: removable

Packaging: 4 pcs per pack



D&E heavy duty weld on hinge



D&E heavy duty weld on hinges, manufactured from steel with a removable pin.

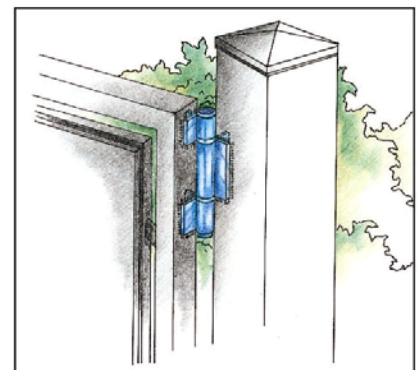
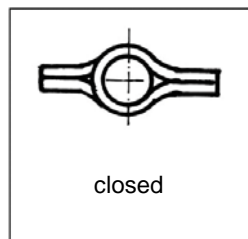
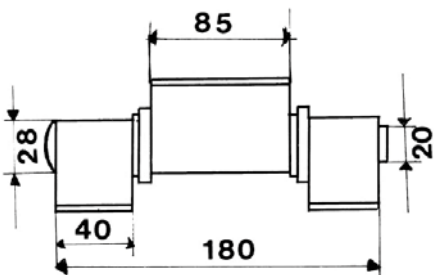
DEH405C - steel pin with brass washer
DEH405C weld on hinge natural finish

DEH406CBB - steel pin with ball bearing washer
DEH406CBB weld on hinge natural finish

Max door weight: 120Kg per pair

Pin: removable

Packaging: 6 pcs per pack



NB: These items are only sold in pack quantities

| | | | |
|-------------|----|--|--|
| CI/SfB | | | |
| 31 | 49 | | |
| August 2011 | | | |

D&E heavy duty weld on hinge



D&E 4 leaf heavy duty open wing weld on hinges, manufactured from steel with a removable pin.

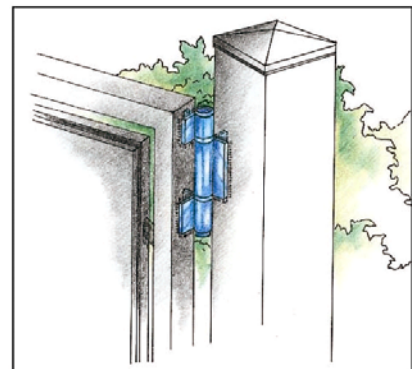
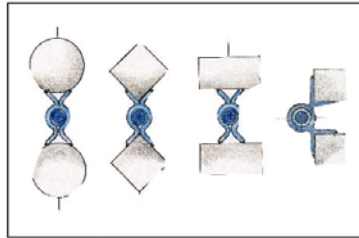
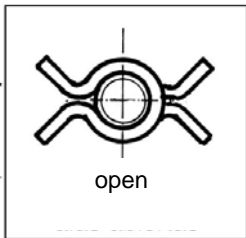
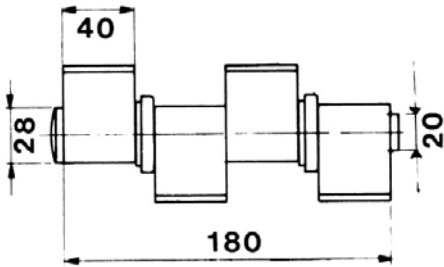
DEH407A - steel pin with brass washer
DEH407A weld on hinge natural finish

DEH408ABB - steel pin with ball bearing washer
DEH408ABB weld on hinge natural finish

Max door weight: 130Kg per pair

Pin: removable

Packaging: 4 pcs per pack



D&E 4 leaf heavy duty weld on hinge



D&E 4 leaf heavy duty weld on hinges, manufactured from steel with a removable pin.

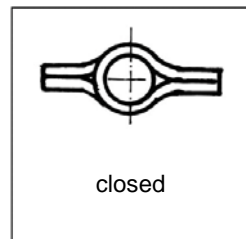
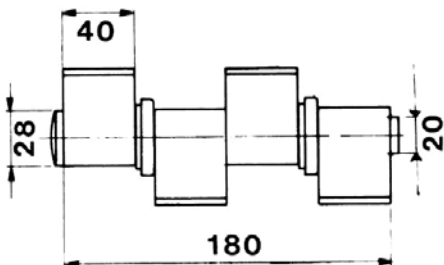
DEH407C - steel pin with brass washer
DEH407C weld on hinge natural finish

DEH408CBB - steel pin with ball bearing washer
DEH408CBB weld on hinge natural finish

Max door weight: 130Kg per pair

Pin: removable

Packaging: DHE407C 6 pcs per pack
DHE408C 4 pcs per pack



NB: These items are only sold in pack quantities

| | | | |
|-------------|----|--|--|
| CI/SfB | | | |
| 31 | 49 | | |
| August 2011 | | | |

D&E weld on hinge with fixed pin



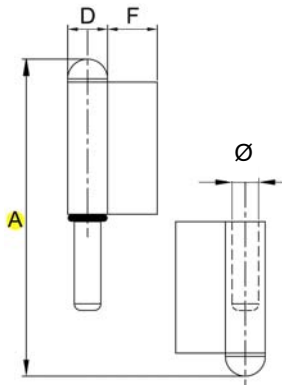
The D&E weld on hinge is manufactured from steel.

| | | |
|-----------|-----------------------|----------------|
| DEH495060 | weld on hinge - 60mm | natural finish |
| DEH495080 | weld on hinge - 80mm | natural finish |
| DEH495100 | weld on hinge - 100mm | natural finish |
| DEH495120 | weld on hinge - 120mm | natural finish |
| DEH495140 | weld on hinge - 140mm | natural finish |
| DEH495160 | weld on hinge - 160mm | natural finish |

Pin: fixed pin

Supplied handed - please specify

Packaging: see table below



| Technical Data | | | | | | |
|-----------------------------|-----|-----|------|------|------|------|
| Dimension A (mm) | 60 | 80 | 100 | 120 | 140 | 160 |
| Dimension D (mm) | 14 | 14 | 17 | 17 | 20 | 20 |
| Dimension F (mm) | 18 | 18 | 33 | 33 | 36 | 36 |
| Pin Ø (mm) | 8.2 | 8.2 | 10.2 | 10.2 | 12.2 | 12.2 |
| Max door weight per pr (Kg) | 20 | 40 | 50 | 60 | 60 | 80 |
| Packaging - pcs per pack | 20 | 20 | 10 | 10 | 10 | 10 |

D&E 3 leaf weld on hinge with removable pin

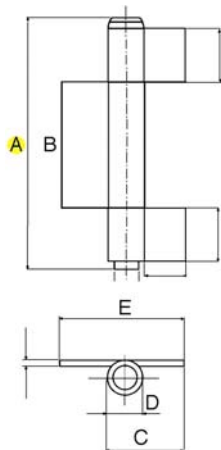


The D&E weld on hinge is manufactured from steel.

| | | |
|-----------|-----------------------|----------------|
| DEH496110 | weld on hinge - 110mm | natural finish |
| DEH496140 | weld on hinge - 140mm | natural finish |
| DEH496170 | weld on hinge - 170mm | natural finish |
| DEH496200 | weld on hinge - 200mm | natural finish |

Pin: removable pin

Packaging: see table below



| Technical Data | | | | |
|-----------------------------|-----|-----|-----|-----|
| Dimension A (mm) | 110 | 140 | 170 | 200 |
| Dimension B (mm) | 50 | 70 | 80 | 100 |
| Dimension C (mm) | 60 | 56 | 65 | 69 |
| Dimension D (mm) | 15 | 18 | 20 | 22 |
| Dimension E (mm) | 105 | 95 | 110 | 115 |
| Max door weight per pr (Kg) | 80 | 100 | 120 | 140 |
| Packaging - pcs per pack | 10 | 10 | 10 | 10 |

NB: These items are only sold in pack quantities

| | | | |
|-------------|----|--|--|
| CI/SfB | | | |
| 31 | 49 | | |
| August 2011 | | | |

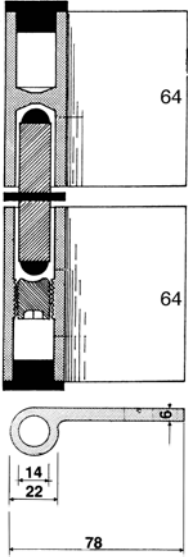
D&E adjustable flag type weld on hinge

The D&E weld on hinge is manufactured from steel.



DEH417R **weld on adjustable hinge** **natural finish**

- Adjustment: 10mm
- Max door weight: 150Kg per pair
- Packaging: 1 pce per pack
- Supplied handed - please specify*



NB: These items are only sold in pack quantities

D&E adjustable gate hinge

| | | | |
|-------------|----|--|--|
| CI/SfB | | | |
| 31 | 49 | | |
| August 2011 | | | |

D&E adjustable gate hinge - 150Kg



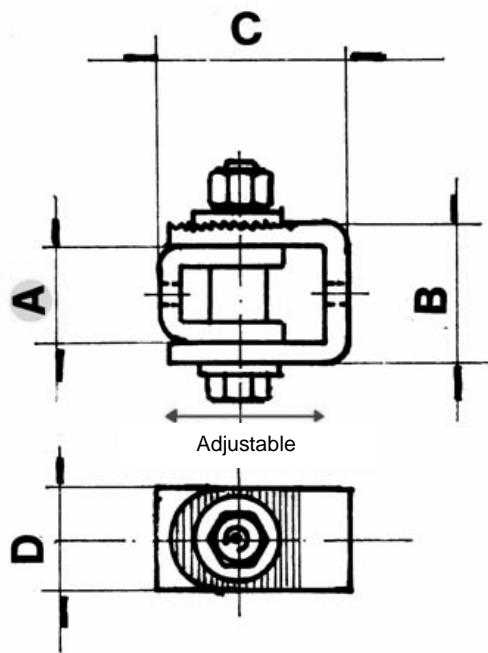
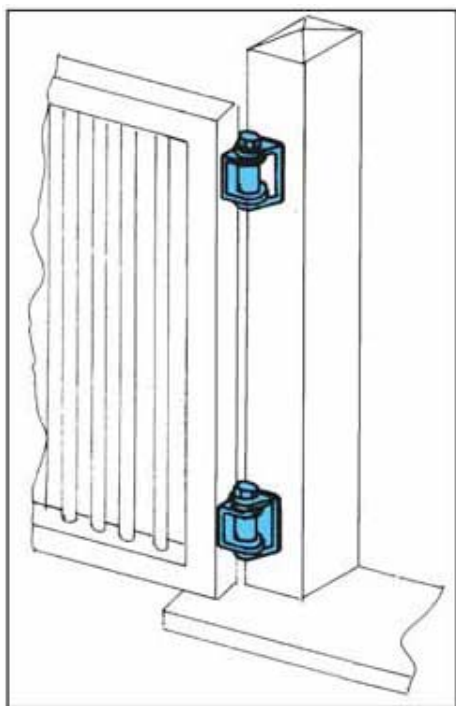
The D&E adjustable gate hinge is manufactured from steel. With the 6mm adjustment, correct installation of the gates can be achieved where the pillars are slightly out of alignment .

DEH423G/GV large adjustable gate hinge galvanized steel
 Rating: heavy duty
 Door Weight: 1 pr 150Kg max
 Packaging: 5 pcs of one type



DEH423P/GV small adjustable gate hinge galvanized steel
 Rating: medium duty
 Door Weight: 1 pr 100Kg max
 Adjustment: 6mm by clamping
 Finish: galvanized steel
 Packaging: 10 pcs of one type

| Part No | DE423G | DE423P |
|---------|--------|--------|
| A mm | 45 | 30 |
| B mm | 60 | 45 |
| C mm | 64-70 | 64-70 |
| D mm | 35 | 30 |



D&E adjustable gate hinge

| | | | |
|-------------|----|--|--|
| CI/SfB | | | |
| 31 | 49 | | |
| August 2011 | | | |

D&E adjustable gate hinge - 150Kg

The D&E adjustable gate hinge is manufactured from steel. With the 6mm adjustment, correct installation of the gates can be achieved with ease where the pillars are out of alignment .



DEH423R/GV

adjustable gate hinge

galvanised steel

Rating:

heavy duty

Door Weight:

1 pr 150Kg max

Adjustment:

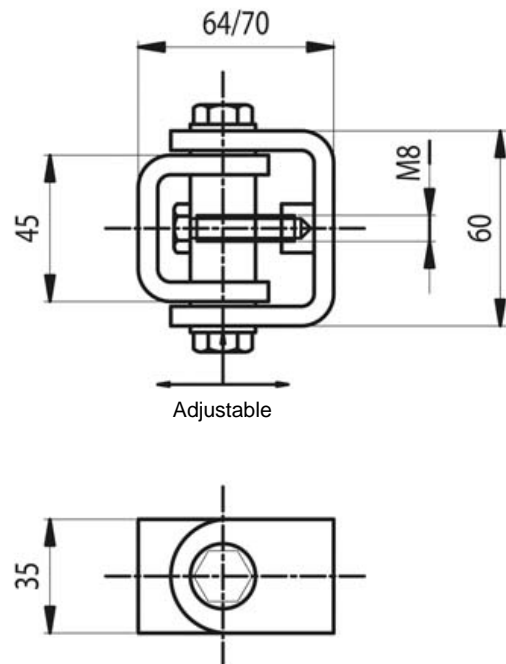
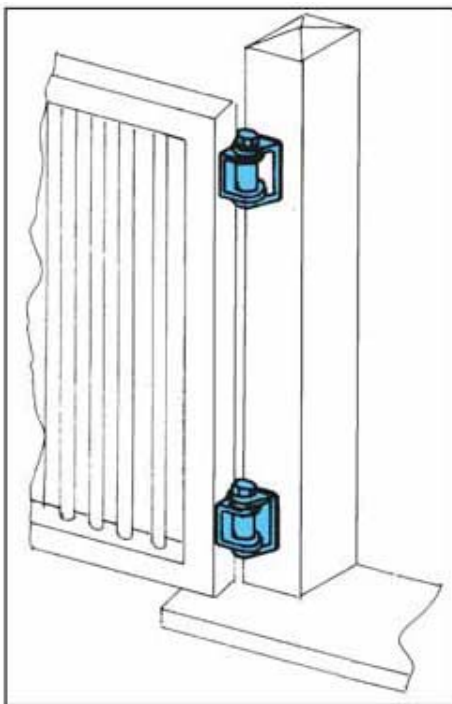
6mm by screw

Finish:

galvanised steel

Packaging:

5 pcs



Sales: 01733 896123



C-1041

Fax: 01733 894466

E&OE

| | | | |
|-------------|----|--|--|
| CI/SfB | | | |
| 31 | 49 | | |
| August 2011 | | | |

D&E adjustable gate hinge - 150Kg

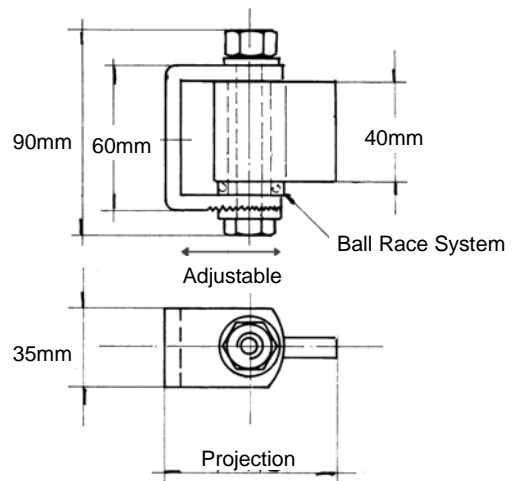
The D&E adjustable gate hinge is manufactured from steel. With the 6mm adjustment, correct installation of the gates can be achieved where the pillars are slightly out of alignment .



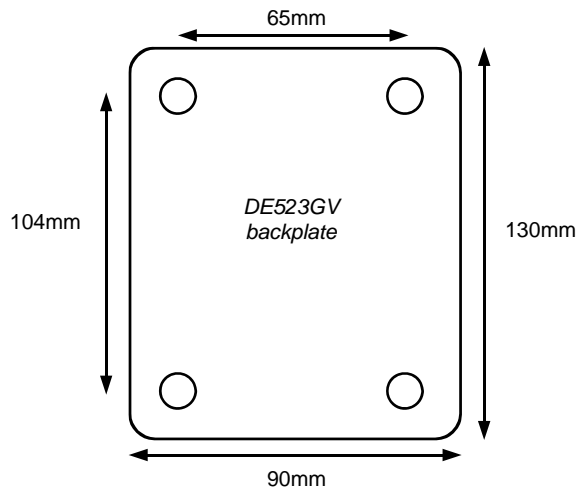
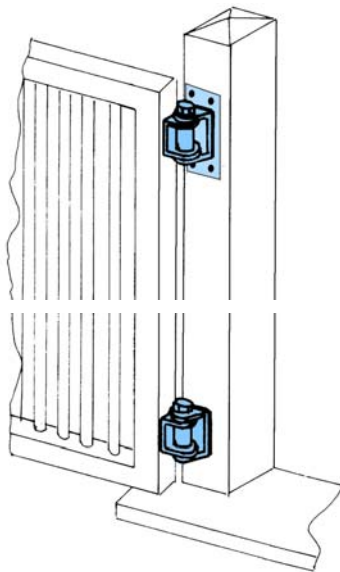
DEH424/GV adjustable gate hinge galvanised steel
 Rating: heavy duty
 Door Weight: 1 pr 150Kg max
 Adjustment: 6mm
 Packaging: 5 pcs



DEH523/GV adjustable gate hinge galvanised steel
 Rating: medium duty
 Door Weight: 1 pr 150Kg max
 Adjustment: 6mm
 Packaging: 10 pcs



X = *DE424GV* = 70mm
DE523GV = 78mm



D&E gate pivot hinge - 240Kg

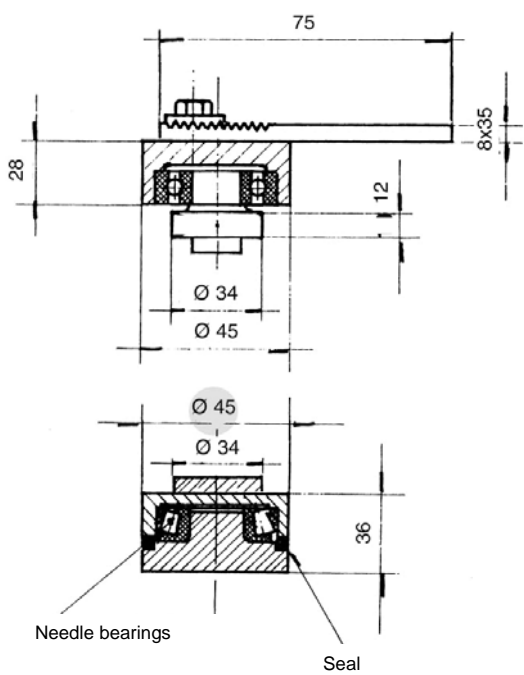
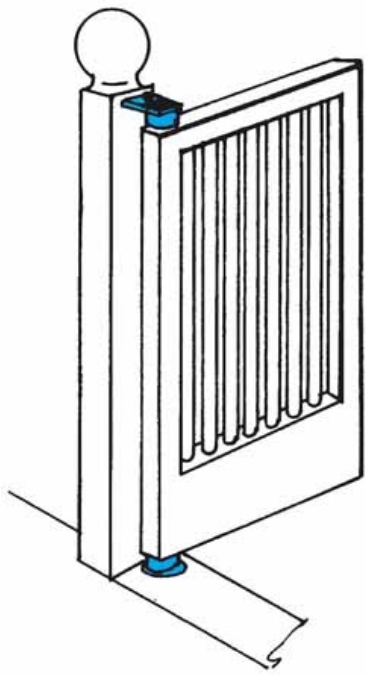
| | | | |
|-------------|----|--|--|
| CI/SfB | | | |
| 31 | 49 | | |
| August 2011 | | | |



D&E gate pivot hinge - 240Kg

The D&E pivot set is manufactured from steel and incorporates a needle bearing system that offers ultra smooth operation. Designed for use on gates manufactured from 50mm box section

| | | |
|-----------------|------------------|------------------|
| DEH438439P/GV | gate pivot hinge | galvanised steel |
| Rating: | heavy duty | |
| Bearing system: | needle bearings | |
| Door Weight: | 1 set | 240Kg max |
| Finish: | galvanised | |
| Packaging: | 1 set | |



Sales: 01733 896123



Fax: 01733 894466

D&E gate pivot hinge - 240Kg

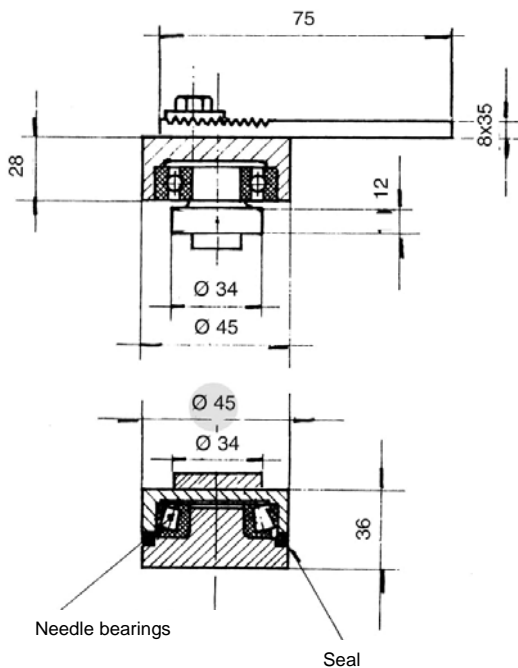
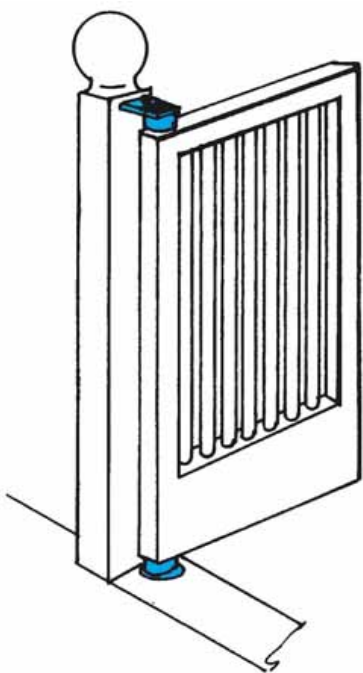
| | | | |
|-------------|----|--|--|
| CI/SfB | | | |
| 31 | 49 | | |
| August 2011 | | | |



D&E gate pivot hinge - 240Kg

The D&E pivot set is manufactured from steel and incorporates a needle bearing system that offers ultra smooth operation. Designed for use on gates manufactured from 50mm box section

| | | |
|-----------------|------------------|------------------|
| DEH838839P/GV | gate pivot hinge | galvanised steel |
| Rating: | heavy duty | |
| Bearing system: | needle bearings | |
| Door Weight: | 1 set | 240Kg max |
| Finish: | galvanised | |
| Packaging: | 1 set | |



D&E gate pivot hinge - 500Kg

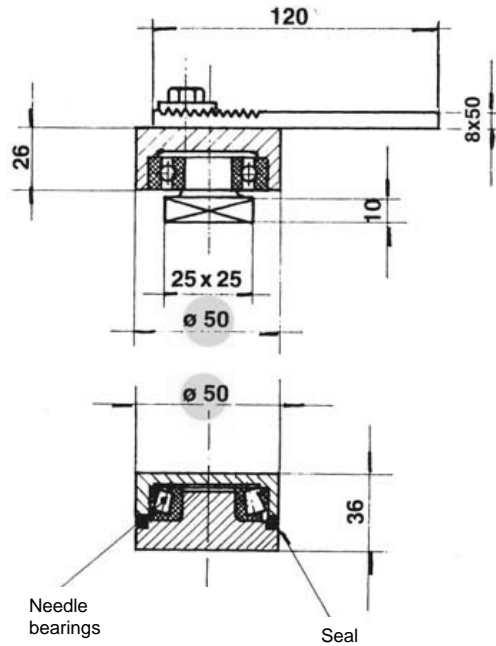
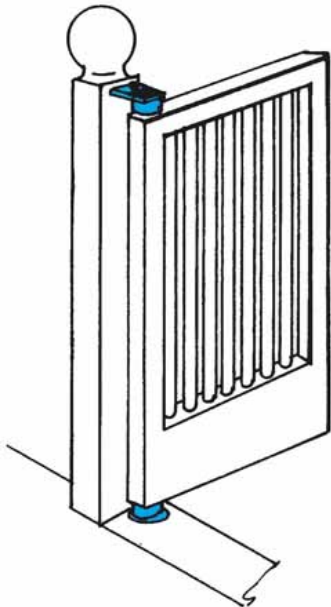
| | | | |
|-------------|----|--|--|
| CI/SfB | | | |
| 31 | 49 | | |
| August 2011 | | | |



D&E gate pivot hinge - 500Kg

The D&E pivot set is manufactured from steel and incorporates a needle bearing system that offers ultra smooth operation. Designed for use on gates manufactured from 50mm box section

| | | |
|-----------------|------------------|------------------|
| DEH438439/GV | gate pivot hinge | galvanised steel |
| Rating: | heavy duty | |
| Bearing system: | needle bearings | |
| Door Weight: | 1 set | 500Kg max |
| Finish: | galvanised | |
| Packaging: | 1 set | |



D&E gate pivot hinge - 500Kg

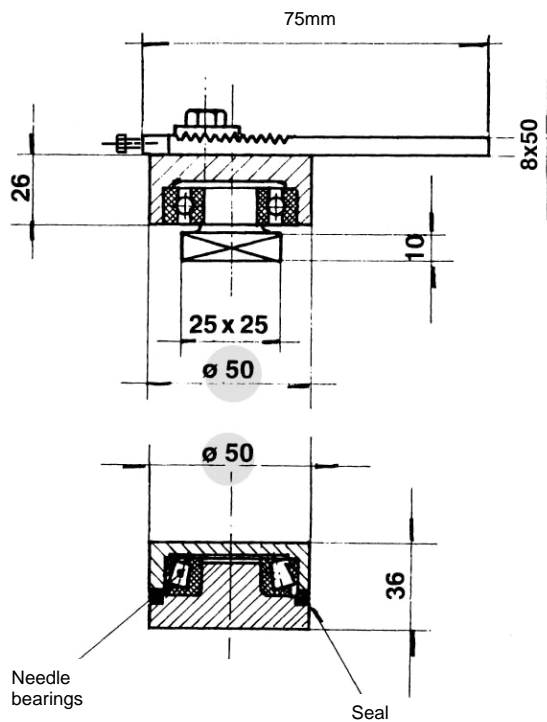
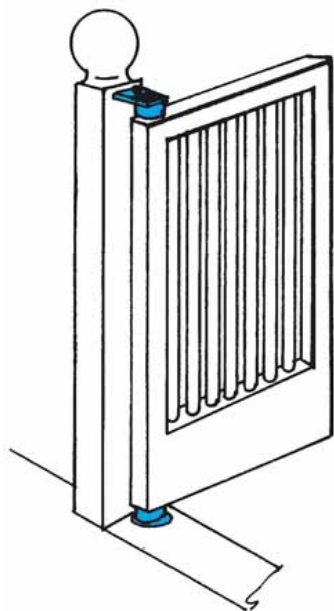
| | | | |
|-------------|----|--|--|
| CI/SfB | | | |
| 31 | 49 | | |
| August 2011 | | | |



D&E gate pivot hinge - 500Kg

The D&E pivot set is manufactured from steel and incorporates a needle bearing system that offers ultra smooth operation. Designed for use on gates manufactured from 50mm box section

| | | |
|-----------------|------------------|------------------|
| DEH838839/GV | gate pivot hinge | galvanised steel |
| Rating: | heavy duty | |
| Bearing system: | needle bearings | |
| Door Weight: | 1 set | 500Kg max |
| Finish: | galvanised | |
| Packaging: | 1 set | |



D&E gate pivot hinge - 500Kg

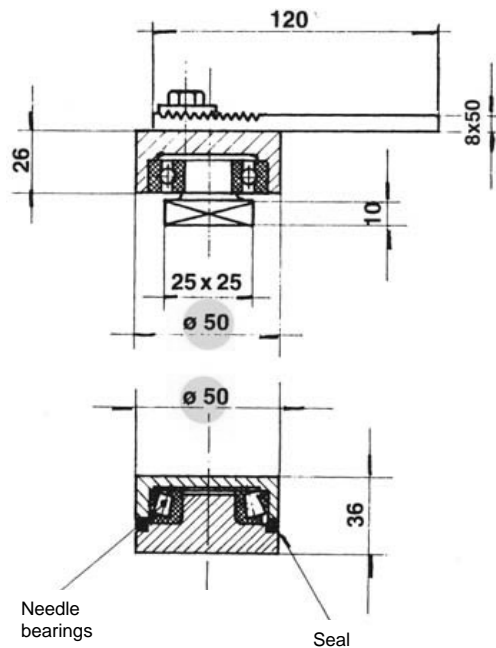
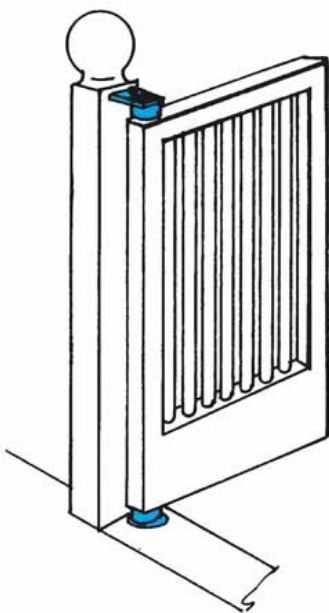
| | | | |
|-------------|----|--|--|
| CI/SfB | | | |
| 31 | 49 | | |
| August 2011 | | | |



D&E stainless steel gate pivot hinge - 500Kg

The D&E pivot set is manufactured from stainless steel and incorporates a needle bearing system that offers ultra smooth operation. Designed for use on gates manufactured from 50mm box section

| | | |
|------------------------|-------------------------|----------------------|
| DEH938939SS | gate pivot hinge | sat. stainless steel |
| Rating: | heavy duty | |
| Stainless steel grade: | SUS 304. | |
| Bearing system: | needle bearings | |
| Door Weight: | 1 set | 500Kg max |
| Finish: | brushed stainless steel | |
| Packaging: | 1 set | |



Sales: 01733 896123



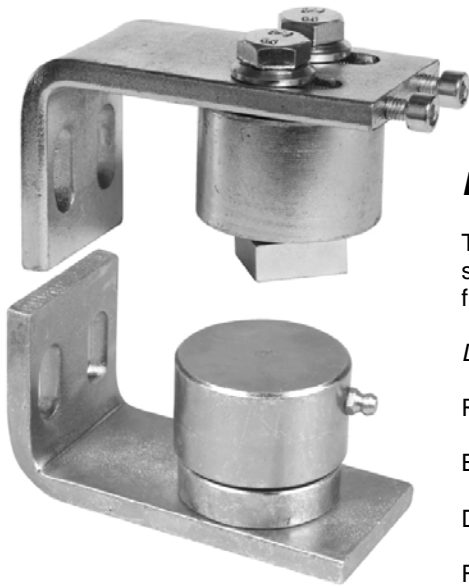
C-1047

Fax: 01733 894466

E&OE

D&E gate pivot hinge - 500Kg

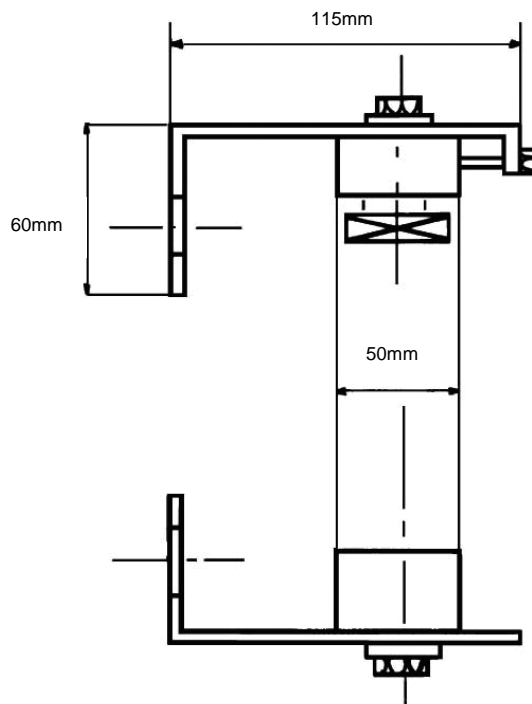
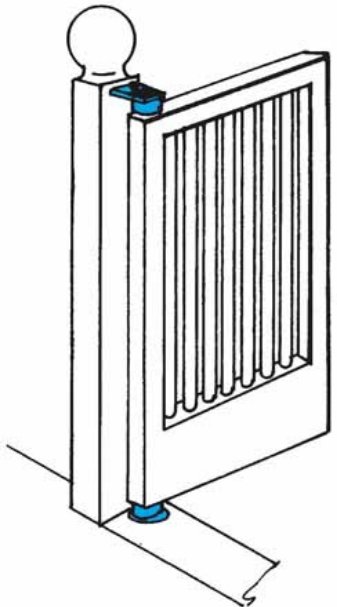
| | | | |
|-------------|----|--|--|
| CI/SfB | | | |
| 31 | 49 | | |
| August 2011 | | | |



D&E gate pivot hinge - 500Kg

The D&E pivot set is manufactured from steel and incorporates a needle bearing system that offers ultra smooth operation. Designed for use on gates manufactured from 50mm box section

| | | |
|-----------------|------------------|------------------|
| DEH738739/GV | gate pivot hinge | galvanised steel |
| Rating: | heavy duty | |
| Bearing system: | needle bearings | |
| Door Weight: | 1 set | 500Kg max |
| Finish: | galvanised | |
| Packaging: | 1 set | |



Sales: 01733 896123



C-1048

Fax: 01733 894466

E&OE

D&E gate pivot hinge - 1000Kg

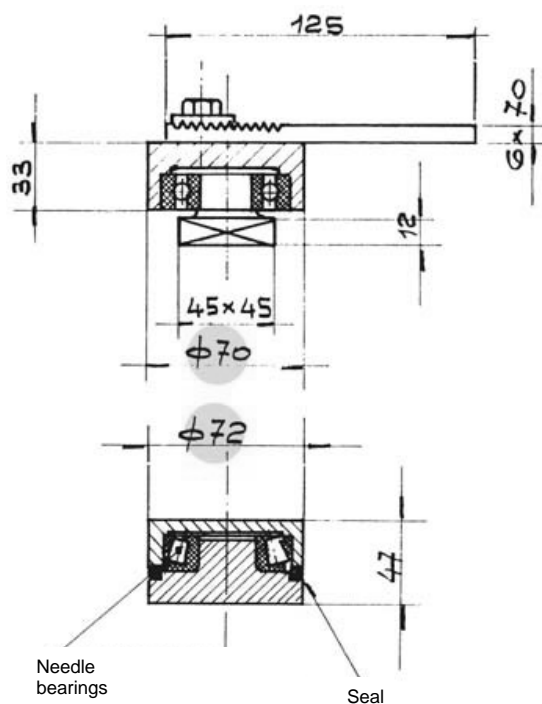
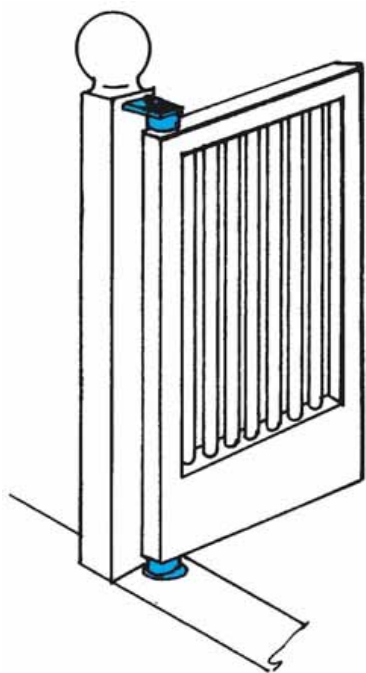
| | | | |
|-------------|----|--|--|
| CI/SfB | | | |
| 31 | 49 | | |
| August 2011 | | | |



D&E gate pivot hinge - 1000Kg

The D&E pivot set is manufactured from steel and incorporates a needle bearing system that offers ultra smooth operation. Designed for use on gates manufactured from 70mm box section

| | | |
|-----------------|------------------|------------------|
| DEH448449/GV | gate pivot hinge | galvanised steel |
| Rating: | extra heavy duty | |
| Bearing system: | needle bearings | |
| Door Weight: | 1 set | 1000Kg max |
| Finish: | galvanised | |
| Packaging: | 1 set | |



D&E gate pivot hinge - 1000Kg

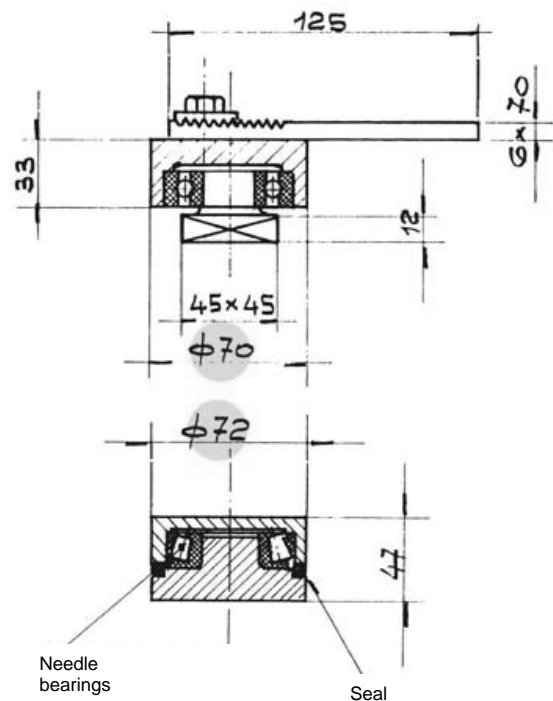
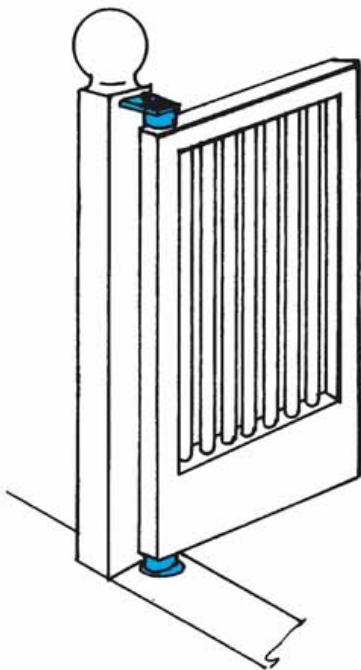
| | | | |
|-------------|----|--|--|
| CI/SfB | | | |
| 31 | 49 | | |
| August 2011 | | | |



D&E gate pivot hinge - 1000Kg

The D&E pivot set is manufactured from steel and incorporates a needle bearing system that offers ultra smooth operation. Designed for use on gates manufactured from 70mm box section

| | | |
|-----------------|------------------|------------------|
| DEH848849/GV | gate pivot hinge | galvanised steel |
| Rating: | extra heavy duty | |
| Bearing system: | needle bearings | |
| Door Weight: | 1 set | 1000Kg max |
| Finish: | galvanised | |
| Packaging: | 1 set | |



Sales: 01733 896123



C-1050

Fax: 01733 894466

E&OE

D&E gate pivot hinge - 1000Kg

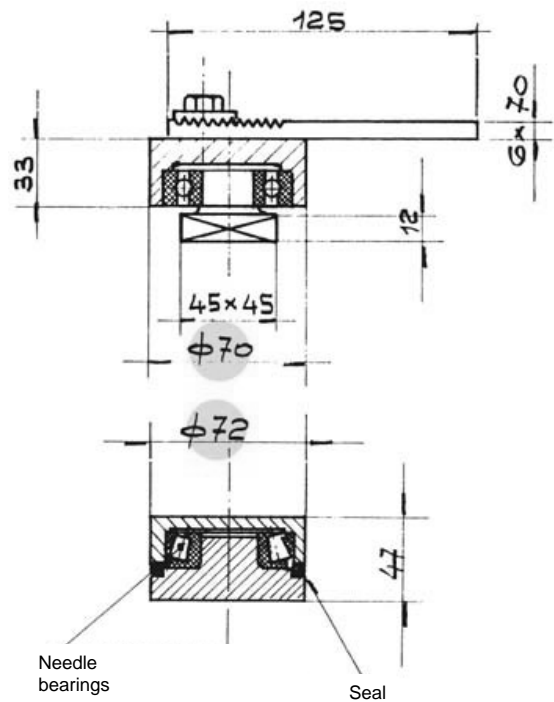
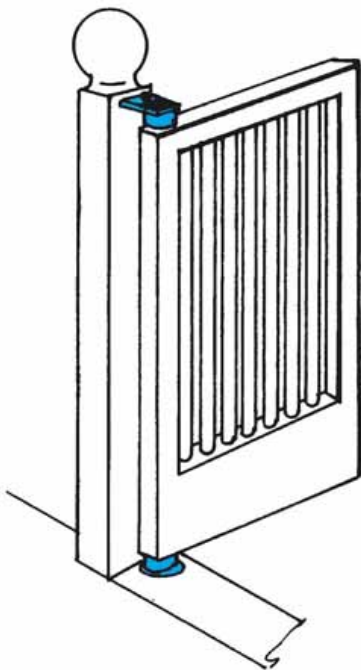
| | | | |
|-------------|----|--|--|
| CI/SfB | | | |
| 31 | 49 | | |
| August 2011 | | | |



D&E stainless steel gate pivot hinge - 1000Kg

The D&E pivot set is manufactured from stainless steel and incorporates a needle bearing system that offers ultra smooth operation. Designed for use on gates manufactured from 70mm box section

| | | |
|------------------------|--------------------------------|-----------------|
| DEH948949SS | gate pivot hinge | stainless steel |
| Rating: | extra heavy duty | |
| Stainless steel grade: | SUS 304. | |
| Bearing system: | needle bearings | |
| Door Weight: | 1 set | 1000Kg max |
| Finish: | natural finish stainless steel | |
| Packaging: | 1 set | |



Sales: 01733 896123



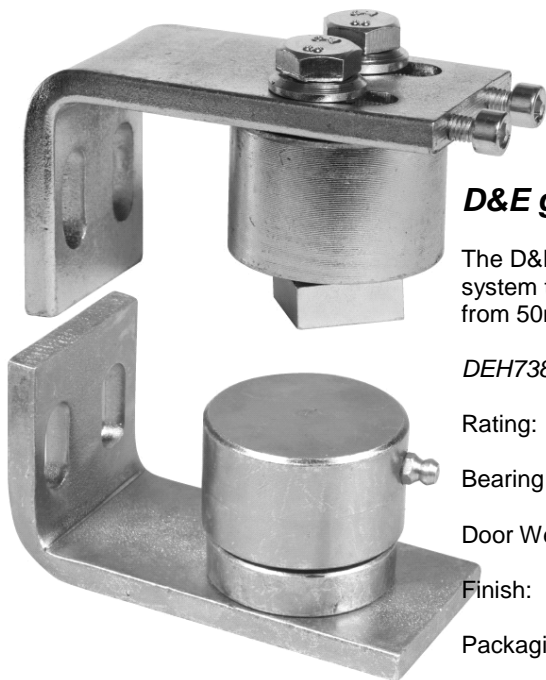
C-1051

Fax: 01733 894466

E&OE

D&E gate pivot hinge - 1000Kg

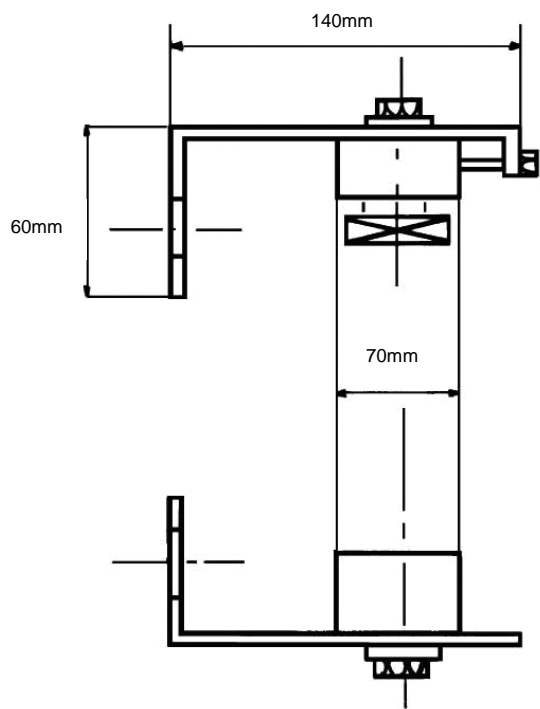
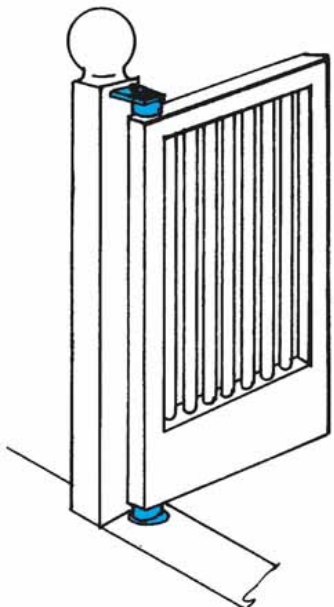
| | | | |
|-------------|----|--|--|
| CI/SfB | | | |
| 31 | 49 | | |
| August 2011 | | | |



D&E gate pivot hinge - 1000Kg

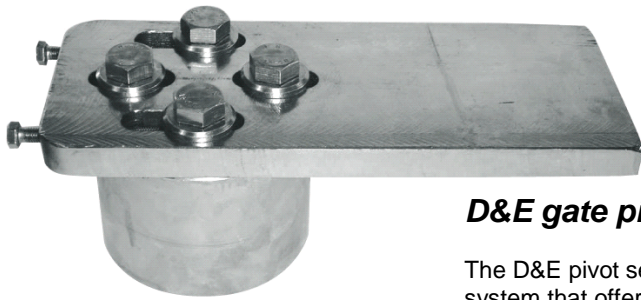
The D&E pivot set is manufactured from steel and incorporates a needle bearing system that offers ultra smooth operation. Designed for use on gates manufactured from 50mm box section

| | | |
|-----------------|------------------|------------------|
| DEH738739/GV | gate pivot hinge | galvanised steel |
| Rating: | heavy duty | |
| Bearing system: | needle bearings | |
| Door Weight: | 1 set | 1000Kg max |
| Finish: | galvanised | |
| Packaging: | 1 set | |



D&E gate pivot hinge - 2000Kg

| | | | |
|-------------|----|--|--|
| CI/SfB | | | |
| 31 | 49 | | |
| August 2011 | | | |

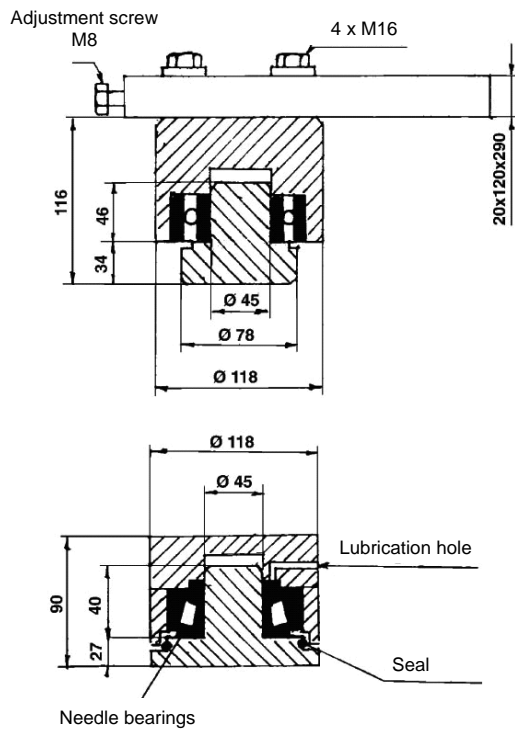
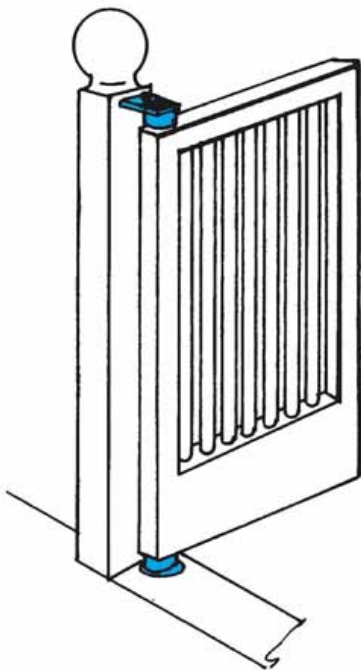


D&E gate pivot hinge - 2000Kg

The D&E pivot set is manufactured from steel and incorporates a needle bearing system that offers ultra smooth operation. Designed for use on gates manufactured from 70mm box section



| | | |
|-----------------|------------------|------------------|
| DEH448449G/GV | gate pivot hinge | galvanised steel |
| Rating: | extra heavy duty | |
| Bearing system: | needle bearings | |
| Door Weight: | 1 set | 1000Kg max |
| Finish: | galvanised | |
| Packaging: | 1 set | |



| | | | |
|-----------|----|--|--|
| CI/SfB | | | |
| 31 | 49 | | |
| June 2012 | | | |



NO QUIBBLE!
10 YEARS
GUARANTEE

D&E NHN 80VP Series door closer

The D&E NHN80VP series of door closers are a multi-size range of closers. It has successfully been type tested to BS EN 1154 and BS EN 1634-1 and is accredited with CE certification where applicable. All models are supplied complete with a parallel shoe to enable standard arm and parallel arm installations without dropping in performance.

TESTED TO
EN1154



| | | |
|------------------------|--|--------|
| <i>DENHN83VP</i> | <i>EN 2-4 - Fig 1/6 door closer</i> | silver |
| <i>DENHN183VP</i> | <i>EN 2-4 - Fig 1/6 door closer with H/O</i> | silver |
| <i>DENHN83V-GL</i> | <i>EN 1-3 - slide arm door closer with optional H/O</i> | silver |
| <i>DENHN83VP-BC</i> | <i>EN 2-4 - Fig 1/6 door closer with BC</i> | silver |
| <i>DENHN183VP-BC</i> | <i>EN 2-4 - Fig 1/6 door closer with BC & H/O</i> | silver |
| <i>DENHN83V-BC-GL</i> | <i>EN 1-3 - slide arm door closer with BC & optional H/O</i> | silver |
| <i>DENHN83VP-DA</i> | <i>EN 2-4 - Fig 1/6 door closer with DA</i> | silver |
| <i>DENHN183VP-DA</i> | <i>EN 2-4 - Fig 1/6 door closer with DA & H/O</i> | silver |
| <i>DENHN183V-DA-GL</i> | <i>EN 1-3 - slide arm door closer with DA & optional H/O</i> | silver |

FIRE TESTED TO
EN1634-1



Power adjustment: variable via a 5mm hex key.
Door weight: 40 - 80 Kgs.
Door width: 850 - 1100mm.

TESTED TO
EN1154



| | | |
|------------------------|--|--------|
| <i>DENHN85VP</i> | <i>EN 4-6 - Fig 1/6 door closer</i> | silver |
| <i>DENHN185VP</i> | <i>EN 4-6 - Fig 1/6 door closer with H/O</i> | silver |
| <i>DENHN85V-GL</i> | <i>EN 3-5 - slide arm door closer with optional H/O</i> | silver |
| <i>DENHN85VP-BC</i> | <i>EN 4-6 - Fig 1/6 door closer with BC</i> | silver |
| <i>DENHN185VP-BC</i> | <i>EN 4-6 - Fig 1/6 door closer with BC & H/O</i> | silver |
| <i>DENHN85V-BC-GL</i> | <i>EN 3-5 - slide arm door closer with BC & optional H/O</i> | silver |
| <i>DENHN85VP-DA</i> | <i>EN 4-6 - Fig 1/6 door closer with DA</i> | silver |
| <i>DENHN185VP-DA</i> | <i>EN 4-6 - Fig 1/6 door closer with DA & H/O</i> | silver |
| <i>DENHN185V-DA-GL</i> | <i>EN 3-5 - slide arm door closer with DA & optional H/O</i> | silver |

FIRE TESTED TO
EN1634-1

Power adjustment: variable via a 5mm hex key.
Door weight: 80 - 120 Kgs.
Door width: 1100 - 1400mm.

D&E NHN 80VP series door closer

| | | | |
|-----------|----|--|--|
| CI/SfB | | | |
| 31 | 49 | | |
| June 2012 | | | |

TESTED TO
EN1154

FIRE TESTED TO
EN1634-1



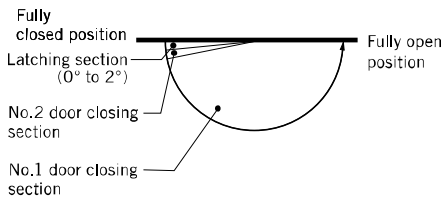
| | | |
|-----------------|---|--------|
| DENHN87VP | EN 6/7 - Fig 1/6 door closer | silver |
| DENHN187VP | EN 6/7 - Fig 1/6 door closer with H/O | silver |
| DENHN87V-GL | EN 5/6 - slide arm door closer with optional H/O | silver |
| DENHN87VP-BC | EN 6/7 - Fig 1/6 door closer with BC | silver |
| DENHN187VP-BC | EN 6/7 - Fig 1/6 door closer with BC & H/O | silver |
| DENHN87V-BC-GL | EN 5/6 - slide arm door closer with BC & optional H/O | silver |
| DENHN87VP-DA | EN 6/7 - Fig 1/6 door closer with DA | silver |
| DENHN187VP-DA | EN 6/7 - Fig 1/6 door closer with DA & H/O | silver |
| DENHN187V-DA-GL | EN 5/6 - slide arm door closer with DA & optional H/O | silver |

Power adjustment: variable via a 5mm hex key.
Door weight: 120 - 140 Kgs.
Door width: 1400 - 1600mm.

Supplied complete with fixing screws for timber and steel doors and full installation instructions.

*Other finishes are available to order but may be subject to quantity
Covers to suit any of these models page D-1007*

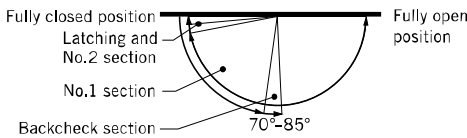
Functions:



Latching action:

This is the acceleration of the door in the final 2° of closing. It is designed to overcome any resistance caused by seals, latch bolts etc... This also provides the complete and secure closure of the door.

Backcheck:

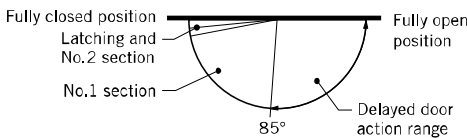


This is the checking of the outward opening door. This function works between 70° & 85°. This function on a closer is designed for use where the opening door might hit a wall for example in a corridor. Other recommended installations are on externally opening doors that may be subject to wind, or where the door might injure someone if it was opened too quickly.

The backcheck strength can be adjusted via the 'backcheck valve screw' located on the end of the closer body.

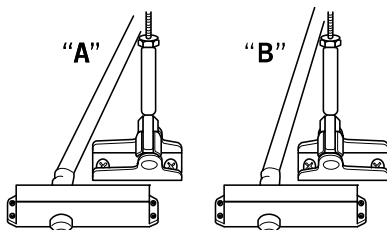
NOTE: THE BACKCHECK FUNCTION SHOULD NOT BE REGARDED AS A DOOR STOP!

Delayed Action:



This is the slowing down of the closing speed. This function is designed to allow people sufficient time to pass through the door opening i.e. wheel chair users, the elderly, hospital staff with beds etc... The maximum delay of 90 seconds is achieved between 180° thru to 85°, after which the normal closing process takes effect to provide the complete and secure closing of the door.

The delay can be adjusted via the 'delayed action valve screw' located on the closer body next to the spindle.



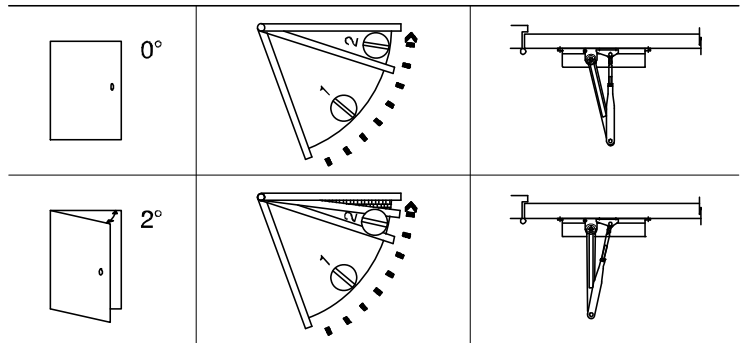
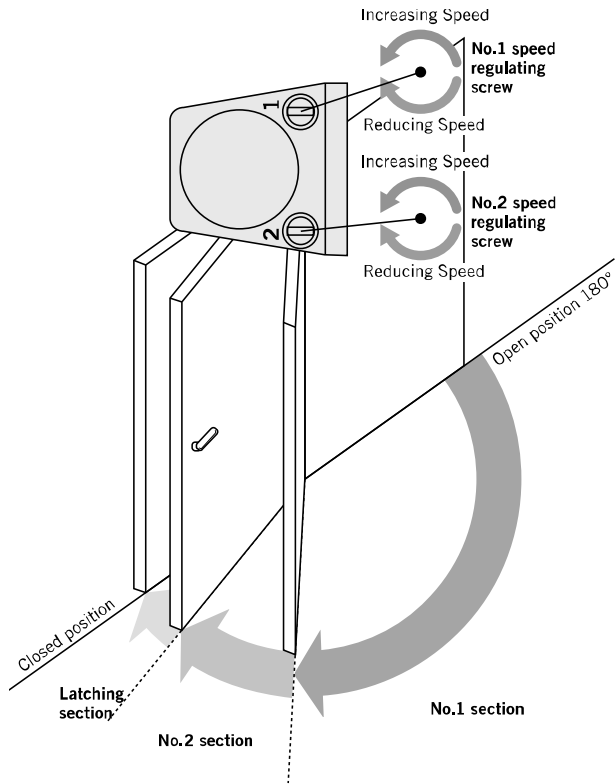
Force adjustment:

Installation "A" Decreases the closing force by about 10% for the first 4° of opening and the final 4° of closing.

Installation "B" Increases the closing force by about 10% for the first 4° of opening and the final 4° of closing.

D&E NHN 80VP Series door closer

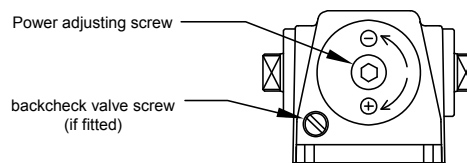
Latching angle adjustment.



Spring power adjustment:

Turn the 'power adjusting screw' the required number of clockwise or anti-clockwise according to the door width as indicated in the chart below.

Installations which are subject to adverse weather conditions, increase the number of turns as required.

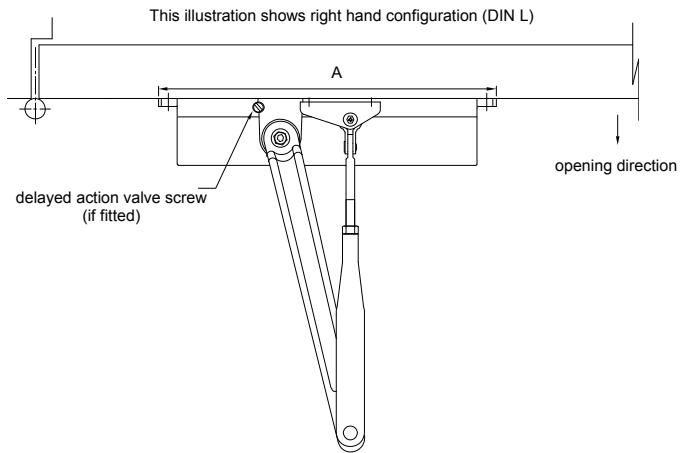


| Model | Size (EN) | No. of turns | Direction | Max. opening angle |
|-----------------------------|-----------|--------------|-----------|--------------------|
| NHN83VP | 2 | 6 | - | 180° |
| | 3 | 0 | ⊗ | 180° |
| | 4 | 3 | + | 180° |
| NHN85VP (Fixing Position 1) | 3 | 0 | ⊗ | 180° |
| | 4 | 1 | - | 180° |
| NHN85VP (Fixing Position 1) | 5 | 0 | ⊗ | 180° |
| | 6 | 4 | + | 130° |
| NHN87VP | 6 | 5 | - | 130° |
| | 7 | 0 | ⊗ | 130° |

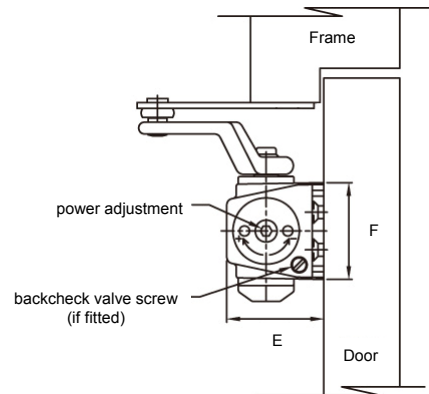
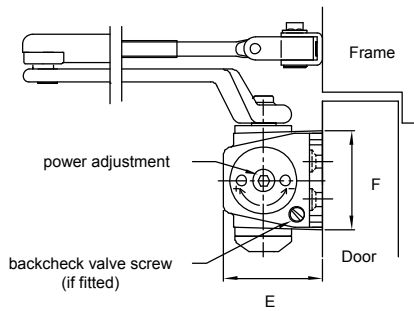
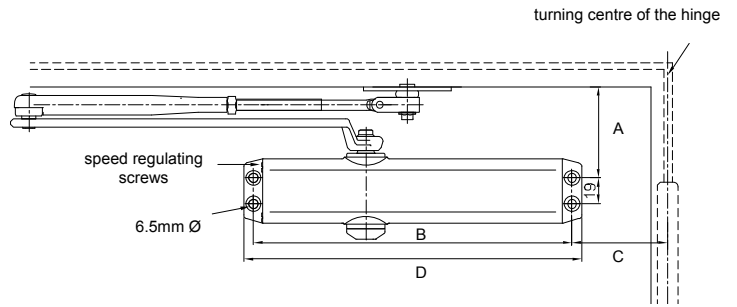
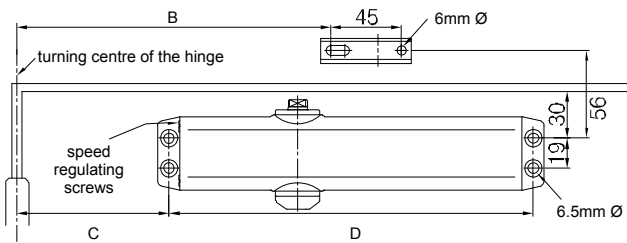
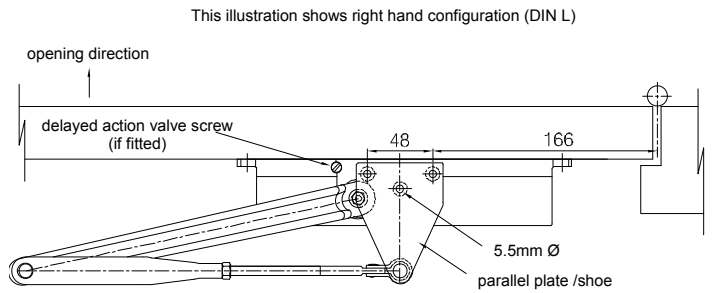
D&E NHN 80VP series door closer

| | | | |
|-----------|----|--|--|
| CI/SfB | | | |
| 31 | 49 | | |
| June 2012 | | | |

Standard arm installation



Parallel arm installation



| Model | A | B | C | D | E | F |
|-----------------------------|-----|-----|----|-----|----|----|
| NHN83VP | 246 | 200 | 97 | 232 | 49 | 49 |
| NHN85VP (Fixing Position 1) | 282 | 210 | 55 | 268 | 55 | 52 |
| NHN85VP (Fixing Position 2) | | | 90 | | | |
| NHN87VP | 282 | 210 | 90 | 268 | 55 | 52 |

| Model | A | B | C | D | E | F |
|-------------------|-----|-----|----|-----|----|----|
| NHN83VP | 246 | 200 | 97 | 232 | 49 | 49 |
| NHN85VP & NHN87VP | 282 | 210 | 90 | 268 | 55 | 52 |

Sales: 01733 896123



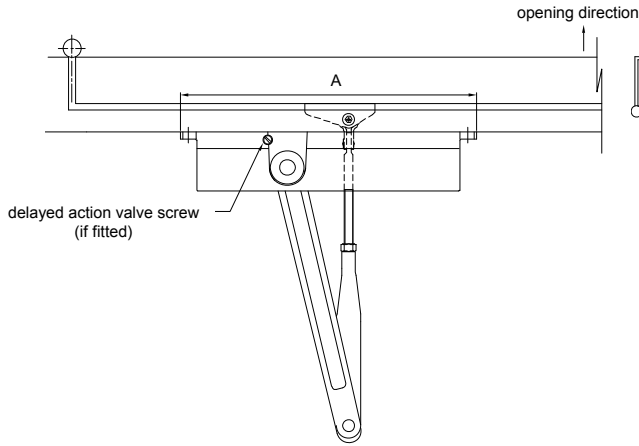
D-1000D

Fax: 01733 894466

E&OE

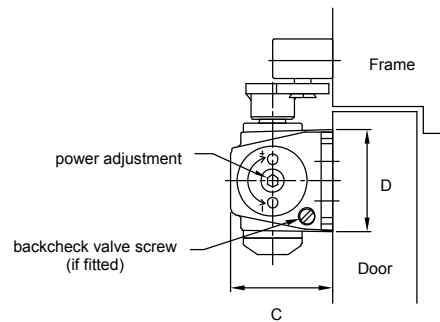
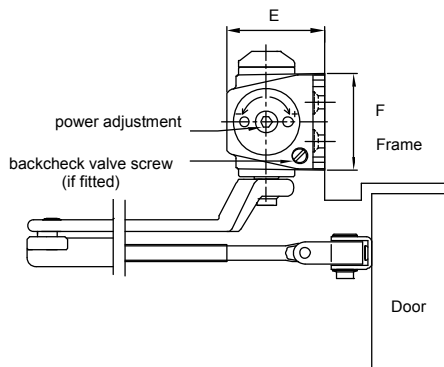
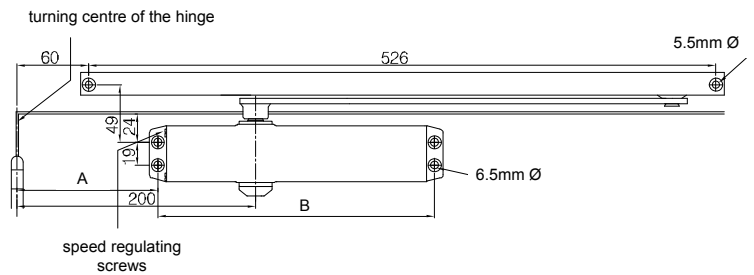
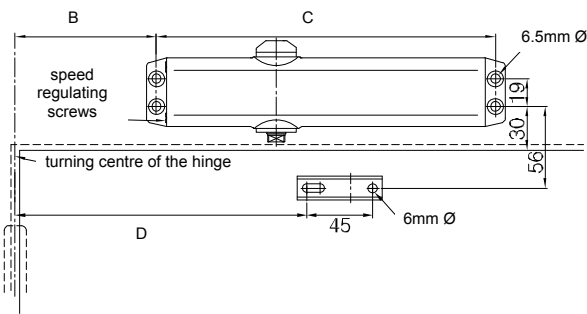
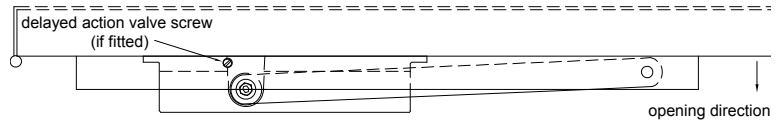
Top jamb installation

This illustration shows right hand configuration (DIN L)



Slide arm installation

This illustration shows right hand configuration (DIN L)

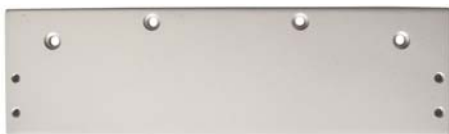


| Model | A | B | C | D | E | F |
|-----------------------------|-----|----|-----|-----|----|----|
| NHN83VP | 246 | 97 | 232 | 200 | 49 | 49 |
| NHN85VP (Fixing Position 1) | 282 | 55 | 268 | 210 | 55 | 52 |
| NHN85VP (Fixing Position 2) | | 90 | | | | |
| NHN87VP | 282 | 55 | 268 | 210 | 55 | 52 |

| Model | A | B | C | D |
|-----------------------|-----|-----|----|----|
| NHN83V-GL | 118 | 232 | 49 | 49 |
| NHN85V-GL & NHN87V-GL | 108 | 268 | 55 | 52 |

D&E NHN 80VP series door closer

| | | |
|-----------|----|--|
| CI/SfB | | |
| 31 | 49 | |
| June 2012 | | |



80VP series drop plate - for use when the fixings for the door closer body falls below the top rail.

DEXDP1 drop plate to suit NHN83VP silver
 DEXDP4 drop plate to suit NHN85VP & NHN87VP silver



80VP series drop plate - for use when the fixings for the door closer body falls below the top rail.

DEXSB83VP NHN83VP soffit bracket silver
 DEXSB85VP NHN85VP & NHN87VP soffit bracket silver



NHN80VP series hold open arm.

DEXHO80VP/SI standard arm with hold open to suit NHN83VP, NHN85VP & NHN87VP silver



80 series slide arm

DEXSA80VP/SI standard arm with hold open to suit NHN83VP, NHN85VP & NHN87VP silver



NHN80VP series soffit plate / parallel arm shoe.

DEXB80VP/SI fig 6 bracket silver
 DEXB80VP/WT fig 6 bracket white



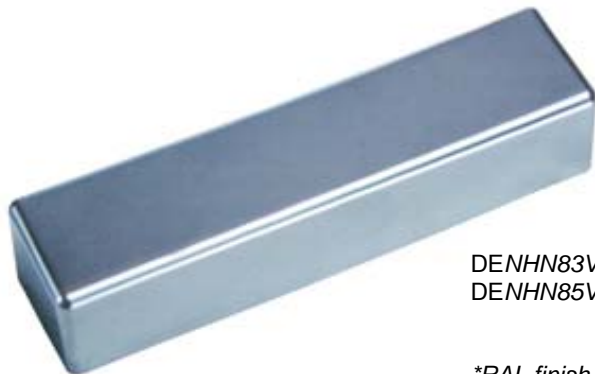
NHN80VP series L-shape bracket - for use when the fixing position of the soffit plate / parallel arm shoe is not suitable - prime examples of this are PVCu & aluminium frames.

DEXLB80VP/SI fig 6 / L-shape bracket silver
 DEXLB80VP/WT fig 6 / L-shape bracket white
 DEXLB180VP/SI fig 6 / L-shape bracket for H/O model silver
 DEXLB180VP/WT fig 6 / L-shape bracket for H/O model white

| | | | |
|-----------|----|--|--|
| CI/SfB | | | |
| 31 | 49 | | |
| June 2012 | | | |

D&E NHN door closer covers

Designed to suit door closer models NHN83VP, NHN85VP & NHN87VP. The clip on facility offers a fast and effective method of fixing.



| | | |
|----------------|-------------------|--------|
| DENHN83VP/C/SI | door closer cover | silver |
| DENHN85VP/C/SI | door closer cover | silver |

**RAL finish is subject to quantity*

NOTE: *Standard silver or RAL finish covers are only available square ends - as per image.*



| | | |
|-------------------|-------------------|----------------------|
| DENHN83VP/SRC/SSS | door closer cover | sat. stainless steel |
| DENHN83VP/SRC/PSS | door closer cover | pol. stainless steel |
| DENHN85VP/SRC/SSS | door closer cover | sat. stainless steel |
| DENHN85VP/SRC/PSS | door closer cover | pol. stainless steel |

NOTE: *Stainless steel covers are only available as semi-radius ends.*

| | | |
|-----------|----|--|
| CI/SfB | | |
| 31 | 49 | |
| June 2012 | | |

'NO QUIBBLE'
10 YEARS
GUARANTEE



D&E NHN 400 door closer

The NHN 400 is a 2-5 variable multi-size door closer. It has successfully been type tested to EN1154:1997, EN 1634-1:2000 and is accredited with CE certification*.

Silver cover, flat arm & universal bracket

| | | |
|----------------|-----------------------------------|--------|
| DENHN400U/SI | 2-5 universal door closer | silver |
| DENHN400BCU/SI | 2-5 universal door closer with BC | silver |
| DENHN400HU/SI | 2-5 universal door closer with DA | silver |

Silver cover & black flat arm & universal bracket

| | | |
|-------------------|-----------------------------------|--------------------|
| DENHN400U/SI/BK | 2-5 universal door closer | silver / black arm |
| DENHN400BCU/SI/BK | 2-5 universal door closer with BC | silver / black arm |
| DENHN400HU/SI/BK | 2-5 universal door closer with DA | silver / black arm |

Power adjustment: via a 5mm hex key.

Door weight: 40 - 100 Kgs.

Door width: 850 - 1250mm.

Supplied complete with fixing screws for timber and steel doors and full installation instructions.

A comprehensive range of accessories is available - please contact the sales team for any special requirements.



D&E NHN 400GL slide arm door closer

The NHN 400GL is a 2-5 variable multi-size door closer. It has successfully been type tested to EN1154:1997, EN 1634-1:2000 and is accredited with CE certification*.

Silver body & silver arm

| | | |
|------------------|-----------------------------------|--------|
| DENHN400/GL/SI | 2-5 slide arm door closer | silver |
| DENHN400BC/GL/SI | 2-5 slide arm door closer with BC | silver |
| DENHN400H/GL/SI | 2-5 slide arm door closer with DA | silver |

Power adjustment: via a 5mm hex key.

Door weight: 40 - 120 Kgs.

Door width: 850 - 1250mm.

Supplied complete with fixing screws for timber and steel doors and full installation instructions.

A comprehensive range of accessories is available - please contact the sales team for any special requirements.

'NO QUIBBLE'
10 YEARS
GUARANTEE



* CE certification does not apply to the DA models

| | | |
|----------------|----|--|
| CI/SfB | | |
| 31 | 49 | |
| September 2007 | | |



D&E NHN 400 door closer - 'Hi-Finish' Range

The NHN 400 is a 2-5 variable multi-size door closer. It has successfully been type tested to EN1154:1997, EN 1634-1:2000 and is accredited with CE certification*.

'Hi-Finish' cover, flat arm & universal bracket

| | | |
|-----------------|-----------------------------------|----------------------|
| DENHN400/PB | 2-5 universal door closer | pol. brass |
| DENHN400/PNP | 2-5 universal door closer | pol. nickel plated |
| DENHN400/SNP | 2-5 universal door closer | sat. nickel plated |
| DENHN400/PSS | 2-5 universal door closer | pol. stainless steel |
| DENHN400/SSS | 2-5 universal door closer | sat. stainless steel |
| | | |
| DENHN400BCU/PB | 2-5 universal door closer with BC | pol. brass |
| DENHN400BCU/PNP | 2-5 universal door closer with BC | pol. nickel plated |
| DENHN400BCU/SNP | 2-5 universal door closer with BC | sat. nickel plated |
| DENHN400BCU/PSS | 2-5 universal door closer with BC | pol. stainless steel |
| DENHN400BCU/SSS | 2-5 universal door closer with BC | sat. stainless steel |
| | | |
| DENHN400H/PB | 2-5 universal door closer with DA | pol. brass |
| DENHN400H/PNP | 2-5 universal door closer with DA | pol. nickel plated |
| DENHN400H/SNP | 2-5 universal door closer with DA | sat. nickel plated |
| DENHN400H/PSS | 2-5 universal door closer with DA | pol. stainless steel |
| DENHN400H/SSS | 2-5 universal door closer with DA | sat. stainless steel |

NO QUIBBLE
10 YEARS
GUARANTEE



'Hi-Finish' cover, black arm & universal bracket

| | | |
|--------------------|-----------------------------------|-----------------|
| DENHN400/PB/BK | 2-5 universal door closer | PB / black arm |
| DENHN400/PNP/BK | 2-5 universal door closer | PNP / black arm |
| DENHN400/SNP/BK | 2-5 universal door closer | SNP / black arm |
| DENHN400/PSS/BK | 2-5 universal door closer | PSS / black arm |
| DENHN400/SSS/BK | 2-5 universal door closer | SSS / black arm |
| | | |
| DENHN400BCU/PB/BK | 2-5 universal door closer with BC | PB / black arm |
| DENHN400BCU/PNP/BK | 2-5 universal door closer with BC | PNP / black arm |
| DENHN400BCU/SNP/BK | 2-5 universal door closer with BC | SNP / black arm |
| DENHN400BCU/PSS/BK | 2-5 universal door closer with BC | PSS / black arm |
| DENHN400BCU/SSS/BK | 2-5 universal door closer with BC | SSS / black arm |
| | | |
| DENHN400H/PB/BK | 2-5 universal door closer with DA | PB / black arm |
| DENHN400H/PNP/BK | 2-5 universal door closer with DA | PNP / black arm |
| DENHN400H/SNP/BK | 2-5 universal door closer with DA | SNP / black arm |
| DENHN400H/PSS/BK | 2-5 universal door closer with DA | PSS / black arm |
| DENHN400H/SSS/BK | 2-5 universal door closer with DA | SSS / black arm |

Power adjustment: via a 5mm hex key.

Door weight: 40 - 100 Kgs.

Door width: 850 - 1250mm.

Supplied complete with fixing screws for timber and steel doors and full installation

A comprehensive range of accessories is available - please contact the sales team for any special requirements.

* CE certification does not apply to the DA models



| | | | |
|----------------|----|--|--|
| CI/SfB | | | |
| 31 | 49 | | |
| September 2007 | | | |



NO QUIBBLE
10 YEARS
GUARANTEE



D&E NHN 400GL slide arm door closer

The NHN 400GL is a 2-5 variable multi-size door closer. It has successfully been type tested to EN1154:1997, EN 1634-1:2000 and is accredited with CE certification*.

'Hi-Finish' cover & slide arm

| | | |
|-------------------|-------------------------------|----------------------|
| DENHN400PB/GL | slide arm door closer | pol. brass |
| DENHN400PNP/GL | slide arm door closer | pol. nickel plated |
| DENHN400SNP/GL | slide arm door closer | sat. nickel plated |
| DENHN400SSS/GL | slide arm door closer | sat. stainless steel |
| DENHN400PSS/GL | slide arm door closer | pol. stainless steel |
| | | |
| DENHN400BC/PB/GL | slide arm door closer with BC | pol. brass |
| DENHN400BC/PNP/GL | slide arm door closer with BC | pol. nickel plated |
| DENHN400BC/SNP/GL | slide arm door closer with BC | sat. nickel plated |
| DENHN400BC/SSS/GL | slide arm door closer with BC | sat. stainless steel |
| DENHN400BC/PSS/GL | slide arm door closer with BC | pol. stainless steel |
| | | |
| DENHN400H/PB/GL | slide arm door closer with DA | pol. brass |
| DENHN400H/PNP/GL | slide arm door closer with DA | pol. nickel plated |
| DENHN400H/SNP/GL | slide arm door closer with DA | sat. nickel plated |
| DENHN400H/SSS/GL | slide arm door closer with DA | sat. stainless steel |
| DENHN400H/PSS/GL | slide arm door closer with DA | pol. stainless steel |

Power adjustment: via a 5mm hex key.

Door weight: 40 - 100 Kgs.

Door width: 850 - 1250mm.

Supplied complete with fixing screws for timber and steel doors and full installation instructions.

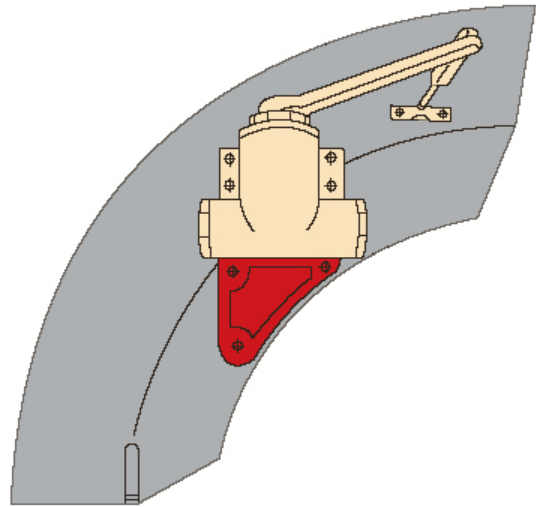
A comprehensive range of accessories is available - please contact the sales team for any special requirements.



* CE certification does not apply to the DA models

D&E classique - T-shape door closer

| | | | |
|----------------|----|--|--|
| CI/SfB | | | |
| 31 | 49 | | |
| September 2007 | | | |



D&E Classique

The D&E *classique* is available fully reversible for left and right hand doors. It is supplied as standard for fig. 1 / standard arm installation but can be supplied with conversion bracket for parallel application where needed. Mounting brackets are available for **arched** or **narrow frame** doorways.

DEGR03 size 3 - T-shape door closer champagne

Door width: 950mm
Door weight: 60Kg

DEGR04 size 4 - T-shape door closer champagne

Door width: 1100mm
Door weight: 80Kg

DEGR05 size 5 - T-shape door closer champagne

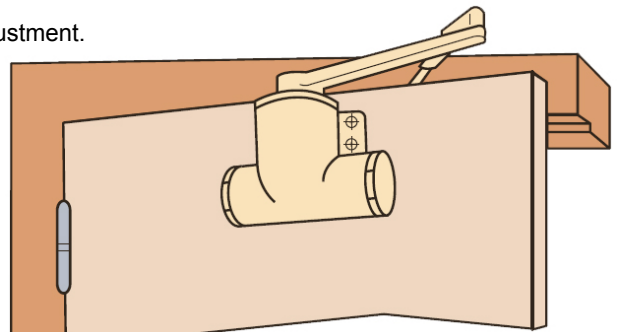
Door width: 1250mm
Door weight: 100Kg

DEGR06 size 6 - T-shape door closer champagne

Door width: 1400mm
Door weight: 120Kg

Integral backcheck as standard

Hydraulic valve speed adjustment.



NO OIL
5 YEARS
GUARANTEE



D&E Classique

The D&E *classique* is available fully reversible for left and right hand doors. It is supplied as standard for fig. 1 / standard arm installation but can be supplied with conversion bracket for parallel application where needed. Mounting brackets are available for **arched** or **narrow frame** doorways.

DEGR03/9 size 3 - T-shape door closer champagne

Door width: 950mm
Door weight: 60Kg

DEGR04/9 size 4 - T-shape door closer champagne

Door width: 1100mm
Door weight: 80Kg

DEGR05/9 size 5 - T-shape door closer champagne

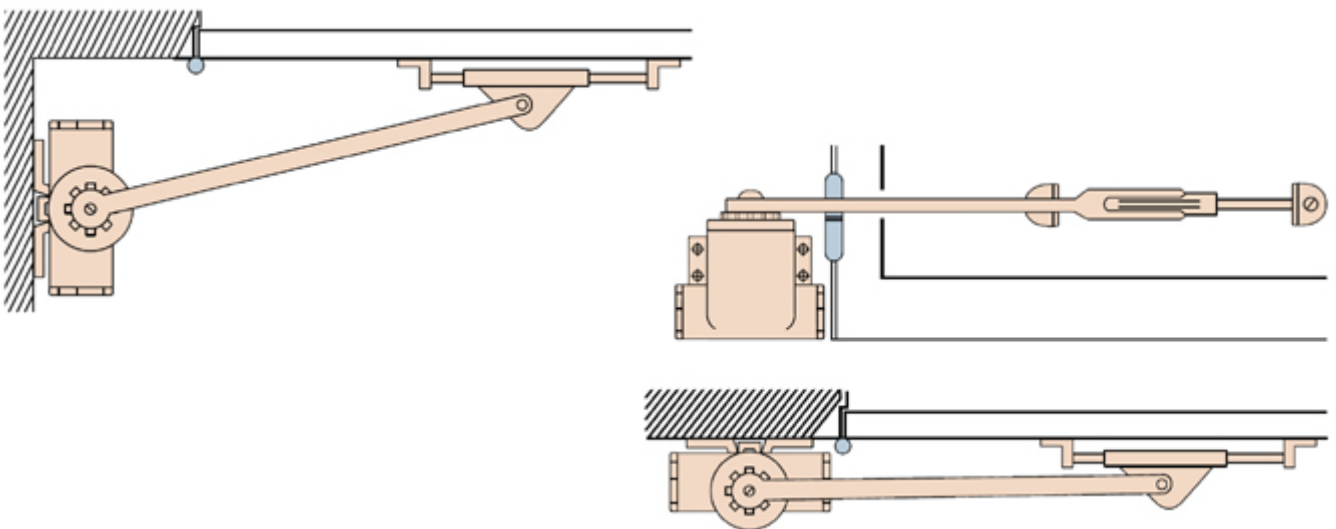
Door width: 1250mm
Door weight: 100Kg

DEGR06/9 size 6 - T-shape door closer champagne

Door width: 1400mm
Door weight: 120Kg

Integral backcheck as standard

Hydraulic valve speed adjustment.



| | | | |
|---------------|----|--|--|
| CI/SfB | | | |
| 31 | 49 | | |
| December 2013 | | | |



Accessories:

D&E Classique curved head bracket.

The D&E Classique curved head bracket is designed to allow your Classique to be installed on arch top doors.

| | | |
|-----------|--------------------------------|-----------|
| DEGR03CHB | curved head bracket for DEGR03 | champagne |
| DEGR04CHB | curved head bracket for DEGR04 | champagne |
| DEGR05CHB | curved head bracket for DEGR05 | champagne |
| DEGR06CHB | curved head bracket for DEGR06 | champagne |

Most common applications for this product is in Cathedrals, Churches, Monasteries, stately homes, listed buildings, hotels and bars that wish to maintain traditional aesthetics.

The Groom Classique is suitable for inward opening doors only

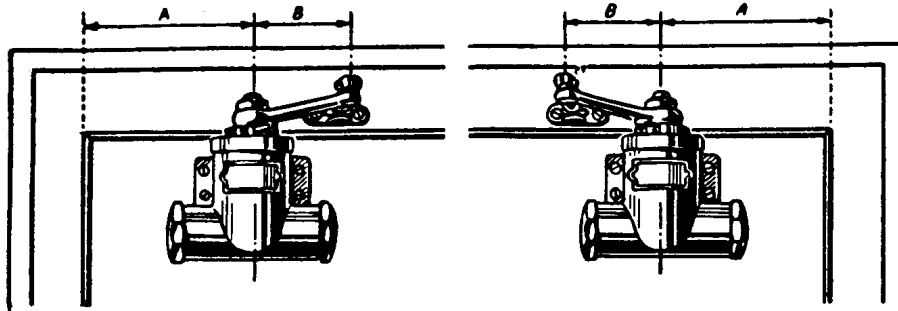


Fig 1. Door Hung
On Left = RH Closer (D)

Fig 2. Door Hung
On Right = LH Closer (G)

Dimension A, the distance from the centre line of the hinge to the pinion of the closer, varies according to the size of the closer and the required opening angle of the door.

| Door Opening To 90° | | Door Opening Beyond 90° | |
|---------------------|--------|-------------------------|--------|
| Size | A | Size | A |
| 3 | 240 mm | 3 | 180 mm |
| 4 | 260 mm | 4 | 200 mm |
| 5 | 310 mm | 5 | 230 mm |
| 6 | 350 mm | 6 | 290 mm |

Dimension B, the distance from the pinion of the closer to the centre of the shoe, is ALWAYS 80mm when installed in standard configuration.

Adjustment

- 1) Adjust spring power by using the wrench provided to turn the ratchet from the hinge side to the lock side - (Maximum 8 clicks)
- 2) Adjust the closing power to overcome latching action or air pressure resistance, adjust the threaded of the arm to match Fig 3. Fig 4 will effectively delete any latching action.
- 3) Adjust closing speed via the hydraulic valve located on the right side of the closer body.

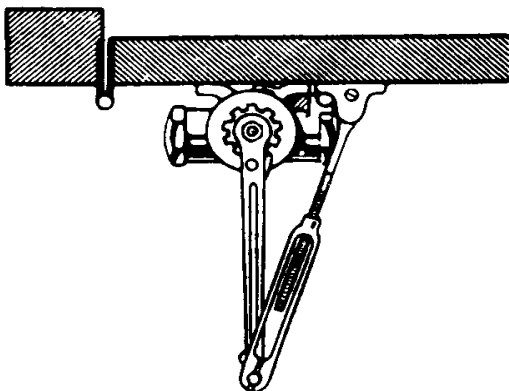


Fig 3.

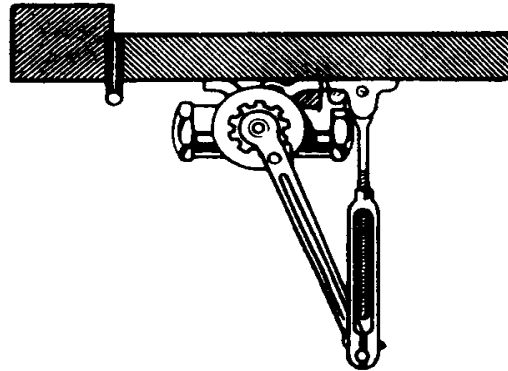


Fig 4.

| | | | |
|---------------|----|--|--|
| CI/SfB | | | |
| 31 | 49 | | |
| December 2013 | | | |

Reversing The Handing

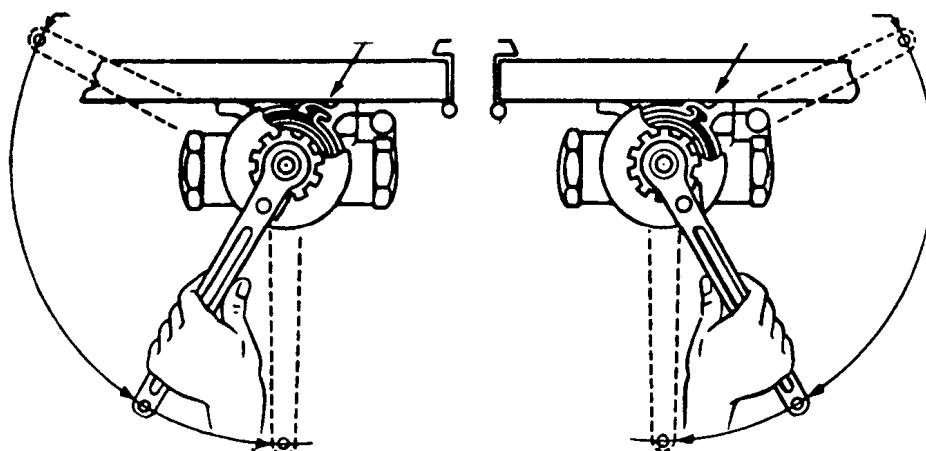


Fig 5a. Left Hand

Fig 5b. Right Hand

Fit the arm to obtain check action at the position shown behind the door .

Closers are normally supplied in right hand configuration. To change to left hand, remove the arm, ratchet and cover; withdraw the spring from the housing, reverse it and replace, ensuring that the tail of the spring is correctly located in the groove of the housing, i.e. RH closer - (the tail points to the left - see Fig 5b).

Replace the cover and the ratchet, ensuring that the slot of the ratchet housing is aligned with the inner tail of the spring.

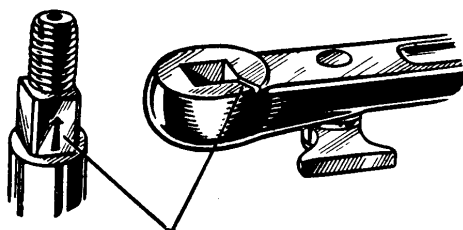
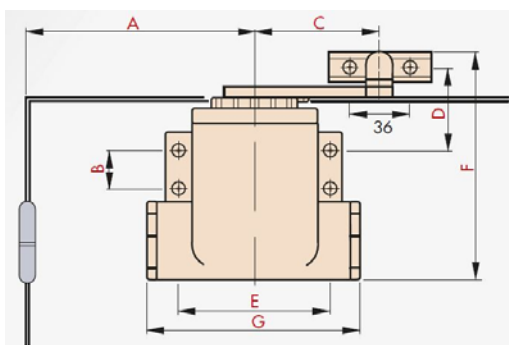


Fig 6.

When fitting the arm, ensure that the mark on the arm lines up with the arrow on the pinion, irrespective of the handing of the closer (Fig 6). The exception to this is when the Conversion Bracket is to be installed, when the mark on the arm goes on the opposite side to the arrow on the pinion.



| Code | Size 3 | Size 4 | Size 5 | Size 6 |
|-----------------------------|--------|--------|--------|--------|
| A - Door Opening to 90° | 240 | 260 | 310 | 350 |
| A - Door Opening Beyond 90° | 180 | 200 | 230 | 290 |
| B | 29 | 33 | 35 | 40 |
| C | 80 | 80 | 80 | 80 |
| D | 48 | 48 | 60 | 72 |
| E | 85 | 96 | 107 | 120 |
| F | 145 | 160 | 185 | 215 |
| G | 135 | 145 | 170 | 194 |

D&E Auto-hinge 1000 series.



The 1000 series is a door closer built into a pair of hinges. Comprising of 1 spring hinge and 1 damper hinge and offers a fully adjustable, controlled closing action.

Suitable for use on internal doors up to 35Kg.

| | | |
|--------------|-------------------------------------|-----|
| DE1111/35/L | auto-hinge - LH | SAA |
| DE1111/35/R | auto-hinge - RH | SAA |
| DE1111/35/SL | auto-hinge with H/O - LH | SAA |
| DE1111/35/SR | auto-hinge with H/O - RH | SAA |
| DE1110/L | blank hinge - non load bearing - LH | SAA |
| DE1110/R | blank hinge - non load bearing - RH | SAA |

Hold open angle: 85° (*hold open model only*)

Opening angle: 180°

Door weight: 1 pr 35Kg

Packaging: 1 / 10 prs

Supplied handed (see page D-1023)

Supplied complete with fixing screws

See page D-1022 & D-1023 for all technical information including model specification for timber / metal doors in timber / metal frames etc...

D&E Auto-hinge 100 series.



The 100 series is a door closer built into a pair of hinges. Comprising of 1 spring hinge and 1 damper hinge and offers a fully adjustable, controlled closing action.

Suitable for use on internal doors up to 40Kg.

| | | |
|-------------|-------------------------------------|--------|
| DE112/40/L | auto-hinge - LH | silver |
| DE112/40/R | auto-hinge - RH | silver |
| DE112/40/SL | auto-hinge with H/O - LH | silver |
| DE112/40/SR | auto-hinge with H/O - RH | silver |
| DE110/L | blank hinge - non load bearing - LH | silver |
| DE110/R | blank hinge - non load bearing - RH | silver |

Opening angle: 180°

Hold open angle: 85° & 150° (*hold open model only*)

Door weight: 1 pr 40Kg

Packaging: 1 / 10 prs

Supplied handed (see page D-1023)

Supplied complete with fixing screws

See page D-1022 & D-1023 for all technical information including model specification for timber / metal doors in timber / metal frames etc...

D&E Auto-hinge 100 series.

The 100 series is a door closer built into a pair of hinges. Comprising of 1 spring hinge and 1 damper hinge and offers a fully adjustable, controlled closing action.

Suitable for use on internal doors up to 60Kg.

| | | |
|-------------|-------------------------------------|--------|
| DE113/60/L | auto-hinge - LH | silver |
| DE113/60/R | auto-hinge - RH | silver |
| DE113/60/SL | auto-hinge with H/O - LH | silver |
| DE113/60/SR | auto-hinge with H/O - RH | silver |
| DE110/L | blank hinge - non load bearing - LH | silver |
| DE110/R | blank hinge - non load bearing - RH | silver |

Opening angle: 180°

Hold open angle: 85° & 150° (*hold open model only*)

Door weight: 1 pr 60Kg

Packaging: 1 / 10 prs

Supplied handed (see page D-1023)

Supplied complete with fixing screws

See page D-1022 & D-1023 for all technical information including model specification for timber / metal doors in timber / metal frames etc...



D&E Auto-hinge 100 tri-set series.

The 113 series tri-set is a door closer built into a set of hinges. The tri-set comprises of 2 spring hinges and 1 damper hinge and offers a fully adjustable, controlled closing action.

Suitable for use on internal doors up to 80Kg.

| | | |
|-------------|-------------------------------------|--------|
| DE113/80/L | tri-set auto-hinge - LH | silver |
| DE113/80/R | tri-set auto-hinge - RH | silver |
| DE113/80/SL | tri-set auto-hinge with H/O - LH | silver |
| DE113/80/SR | tri-set auto-hinge with H/O - RH | silver |
| DE110/L | blank hinge - non load bearing - LH | silver |
| DE110/R | blank hinge - non load bearing - RH | silver |

Opening angle: 180°

Hold open angle: 85° & 150° (*hold open model only*)

Door weight: 1 set 80Kg

Packaging: 1 / 10 sets

Supplied handed (see page D-1023)

Supplied complete with fixing screws

See page D-1022 & D-1023 for all technical information including model specification for timber / metal doors in timber / metal frames etc...



| | | | |
|----------------|----|--|--|
| CI/SfB | | | |
| 31 | 49 | | |
| September 2007 | | | |



D&E Auto-hinge 100 PC series - weather resistant.

The D&E 113PC series is a door closer built into a pair of hinges. Comprising of 1 spring hinge and 1 damper hinge and offers a fully adjustable, controlled closing action which is enhanced by a thermal compensator.

Suitable for use on external doors up to 60Kg.

DE113PC/60/L PC auto-hinge - LH silver
 DE113PC/60/R PC auto-hinge - RH silver

DE113PC/60/SL PC auto-hinge with H/O - LH silver
 DE113PC/60/SR PC auto-hinge with H/O - RH silver

DE110PC/L PC blank hinge - non load bearing - LH silver
 DE110PC/R PC blank hinge - non load bearing - RH silver

Opening angle: 180°

Hold open angle: 85° & 150°

Door weight: 1 pr 60Kg

Packaging: 1 / 10 prs

Supplied handed (see page D-1023)

Supplied complete with fixing screws

See page D-1022 & D-1023 for all technical information including model specification for timber / metal doors in timber / metal frames etc...



D&E Auto-hinge NK153 series.

The D&E NK153 series is a door closer built into either a pair or set of hinges. There are two door weight configurations. The 60Kg models comprise of 1 spring hinge and 1 damper hinge. The 80Kg models comprise of 2 spring hinges and 1 damper hinge. Both offer a fully adjustable, controlled closing action.

Suitable for use on frameless glass doors up to 60Kg.

| | | |
|--------------|-----------------------|--------|
| DENK153/60/L | NK153 auto-hinge - LH | silver |
| DENK153/60/R | NK153 auto-hinge - RH | silver |

| | | |
|---------------|-------------------------------|--------|
| DENK153/60/SL | NK153 auto-hinge with HO - LH | silver |
| DENK153/60/SR | NK153 auto-hinge with HO - RH | silver |

| | | |
|-----------|-------------------------------------|--------|
| DENK150/L | blank hinge - non load bearing - LH | silver |
| DENK150/R | blank hinge - non load bearing - RH | silver |

Opening angle: 180°

Hold open angle: 85° & 150°

Door weight: 1 pair 60Kg

Glass thickness: 8 to 12mm

Door dimensions: 2100 x 900mm

Packaging: 1 / 10 prs

Supplied handed (see page D-1023)

Supplied complete with fixing screws.

Suitable for use on frameless glass doors up to 80Kg.

| | | |
|--------------|-------------------------------|--------|
| DENK153/80/L | NK153 tri-set auto-hinge - LH | silver |
| DENK153/80/R | NK153 tri-set auto-hinge - RH | silver |

| | | |
|---------------|---------------------------------------|--------|
| DENK153/80/SL | NK153 tri-set auto-hinge with HO - LH | silver |
| DENK153/80/SR | NK153 tri-set auto-hinge with HO - RH | silver |

| | | |
|-----------|-------------------------------------|--------|
| DENK150/L | blank hinge - non load bearing - LH | silver |
| DENK150/R | blank hinge - non load bearing - RH | silver |

Opening angle: 180°

Hold open angle: 85° & 150°

Door weight: 1 set 80Kg

Glass thickness: 8 to 12mm

Door dimensions: 2200 x 1000mm

Packaging: 1 / 10 prs

Supplied handed (see page D-1023)

Supplied complete with fixing screws

| Part No. | | Hand | Max Door Weight | Hold Open Position | Max Opening Angle | Max Door Dimensions |
|-------------------|----------------|------|-----------------|--------------------|-------------------|---------------------|
| Without hold open | With hold open | | | | | |

1000 series

| To suit a Timber door in a Timber frame | | | | | | |
|--|--------|-------|------|-----|------|--------------------------------------|
| 1111R | 1111SR | Right | 35Kg | 85° | 180° | W: 850mm H: 2000mm T: min 30mm |
| 1111L | 1111SL | Left | | | | |
| 1110R | — | Right | — | — | | |
| 1110L | — | Left | — | — | | |

100 series

| To suit a Timber door in a Timber frame | | | | | | |
|--|---------------|-------|------|------------|---------------------------------------|--------------------------------------|
| 112R | 112SR | Right | 40Kg | 85° & 150° | 180° | W: 900mm H: 2100mm T: min 30mm |
| 112L | 112SL | Left | | | | |
| 113R | 113SR | Right | 60Kg | | | |
| 113L | 113SL | Left | | | | |
| 113R Tri-Set | 113SR Tri-Set | Right | 80Kg | 180° | W: 1000mm H: 2200mm T: min 30mm | |
| 113L Tri-Set | 113SL Tri-Set | Left | | | | |
| 110R | — | Right | — | — | | |
| 110L | — | Left | — | — | | |

| To suit a Timber door in a Steel frame | | | | | | |
|---|----------|-------|------|------------|------|--------------------------------------|
| 122R-T | 122SR -T | Right | 40Kg | 85° & 150° | 180° | W: 900mm H: 2100mm T: min 30mm |
| 122L-T | 122SL-T | Left | | | | |
| 120R-T | — | Right | — | — | | |
| 120L-T | — | Left | — | — | | |

| To suit a Steel door in a Steel frame | | | | | | |
|--|---------|-------|------|------------|------|--------------------------------------|
| 143R-T | 143SR-T | Right | 60Kg | 85° & 150° | 180° | W: 900mm H: 2100mm T: min 30mm |
| 143L-T | 143SL-T | Left | | | | |
| 140R-T | — | Right | — | — | | |
| 140L-T | — | Left | — | — | | |

| To suit a Steel door in a Steel frame | | | | | | |
|--|---------|-------|-------|------------|------|---------------------------------------|
| 244R-T | 244SR-T | Right | 120Kg | 85° & 150° | 180° | W: 1200mm H: 2100mm T: min 40mm |
| 244L-T | 244SL-T | Left | | | | |
| 240R-T | — | Right | — | — | | |
| 120L-T | — | Left | — | — | | |

| Part No. | | Hand | Max Door Weight | Hold Open Position | Max Opening Angle | Max Door Dimensions |
|-------------------|----------------|------|-----------------|--------------------|-------------------|---------------------|
| Without hold open | With hold open | | | | | |

100 PC series

To suit timber, aluminium & lightweight steel doors

| | | | | | | |
|---------|----------|-------|------|------------|------|--------------------------------------|
| 113R-PC | 113SR-PC | Right | 60Kg | 85° & 150° | 180° | W: 900mm H: 2100mm T: min 30mm |
| 113L-PC | 113SL-PC | Left | | | | |
| 110R-PC | — | Right | — | — | | |
| 110L-PC | — | Left | | | | |

To suit aluminium, lightweight steel & partition doors

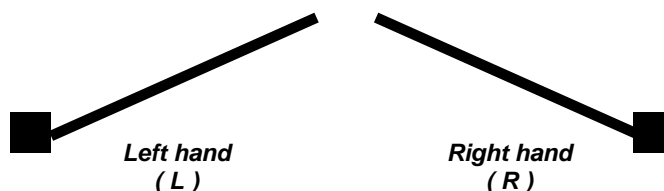
| | | | | | | |
|---------|----------|-------|------|------------|------|--------------------------------------|
| 133R-PC | 133SR-PC | Right | 60Kg | 85° & 180° | 180° | W: 900mm H: 2100mm T: min 30mm |
| 133L-PC | 133SL-PC | Left | | | | |
| 130R-PC | — | Right | — | — | | |
| 130L-PC | — | Left | | | | |

To suit a Steel door in a Steel frame

| | | | | | | |
|-----------|------------|-------|------|------------|------|--------------------------------------|
| 143R-T-PC | 143SR-T-PC | Right | 60Kg | 85° & 150° | 180° | W: 900mm H: 2100mm T: min 30mm |
| 143L-T-PC | 143SL-T-PC | Left | | | | |
| 140R-T-PC | — | Right | — | — | | |
| 140L-T-PC | — | Left | | | | |

To suit a Steel door in a Steel frame

| | | | | | | |
|-----------|------------|-------|-------|------------|------|---------------------------------------|
| 244R-T-PC | 244SR-T-PC | Right | 120Kg | 85° & 150° | 180° | W: 1200mm H: 2100mm T: min 40mm |
| 244L-T-PC | 244SL-T-PC | Left | | | | |
| 240R-T-PC | — | Right | — | — | | |
| 240L-T-PC | — | Left | | | | |





D&E Auto-hinge - Centre Hang type

The D&E Auto-Hinge centre hang type is a concealed single action pivot door closer. Suitable for use on doors ranging from 40Kg up to 510Kg, it offers a controlled closing action.

DEA8K/L centre hang auto-hinge - LH - 40Kg
DEA8K/R centre hang auto-hinge - RH - 40Kg

DEA8/L centre hang auto-hinge - LH - 50Kg
DEA8/R centre hang auto-hinge - RH - 50Kg

DEA10/L centre hang auto-hinge - LH - 85Kg
DEA10/R centre hang auto-hinge - RH - 85Kg

DEA12/L centre hang auto-hinge - LH - 100Kg
DEA12/R centre hang auto-hinge - RH - 100Kg

DEA14/L centre hang auto-hinge - LH - 130Kg
DEA14/R centre hang auto-hinge - RH - 130Kg

DEA16/L centre hang auto-hinge - LH - 160Kg
DEA16/R centre hang auto-hinge - RH - 160Kg

DEA18/L centre hang auto-hinge - LH - 200Kg
DEA18/R centre hang auto-hinge - RH - 200Kg

DEA22/L centre hang auto-hinge - LH - 240Kg
DEA22/R centre hang auto-hinge - RH - 240Kg

DEA26/L centre hang auto-hinge - LH - 310Kg
DEA26/R centre hang auto-hinge - RH - 310Kg

DEA30/L centre hang auto-hinge - LH - 410Kg
DEA30/R centre hang auto-hinge - RH - 410Kg

DEA30H/L centre hang auto-hinge - LH - 510Kg
DEA30H/R centre hang auto-hinge - RH - 510Kg

Opening angle: 180°

Door weight: all door weights shown above are subject to certain criteria - see pages D-1025 & D-1026 for further information.

Finish: stove enamelled

Packaging: each

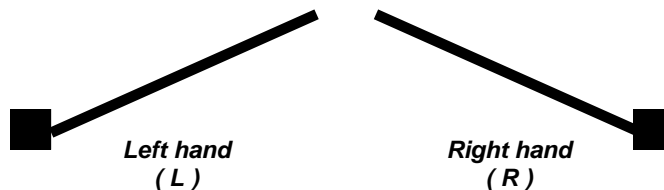
Supplied handed (see page D-1025)

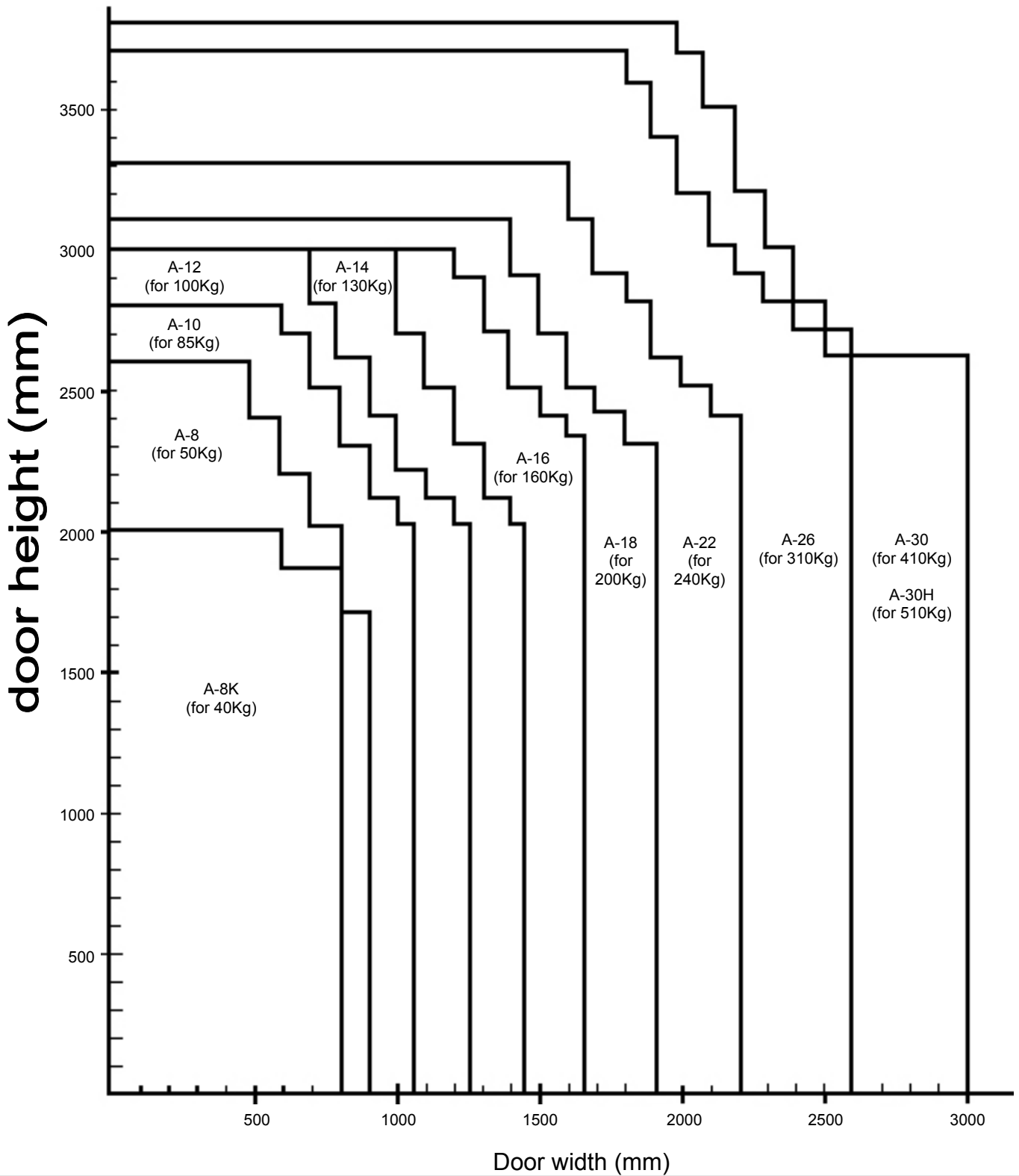
Supplied complete with fixing screws

| model no. | door dimensions (mm) | | | max door weight | standard closing force | max opening angle | |
|-----------|----------------------|------------|-----------|-----------------|------------------------|-------------------|----------|
| | width | height | thickness | | | | |
| A-8K | 800 (max) | 1850 (max) | 36 (min) | 40 | 6.9 N-m | 180° | |
| A-8 | | 2000 | | 50 | 8.9 N-m | | |
| A-10 | 1000 | 2100 | 40 | 85 | 10.8 N-m | | |
| A-12 | 1200 | | | 100 | 15.7 N-m | | |
| A-14 | 1400 | | | 130 | 19.7 N-m | | |
| A-16 | 1600 | 2400 | 45 | 160 | 24.6 N-m | | |
| A-18 | 1800 | | | 50 | 200 | | 41.2 N-m |
| A-22 | 2200 | | | | 240 | | 49.1 N-m |
| A-26 | 2600 | 2600 | 55 | 310 | 60.9 N-m | | |
| A-30 | 3000 | | | 410 | 68.7 N-m | | |
| A-30H | | | | 510 | | | |

1. Select an appropriate model according to the dimensions (height x width) of the door.
(See chart on page D-1026)
 2. Ensure that the door weight is within the guidelines set out in the table below.
- N.B. The chart on page D-1026 is based on a wind velocity of 3m/sec. If being used in conjunction with a smoke ventilation system or should the wind conditions be any greater then please contact the sales office.

| <i>model</i> | <i>weight / 1m²</i> | <i>type of door</i> |
|------------------|--------------------------------|--------------------------------------|
| A-8K | 27Kg/m ² max | steel door (only for wicket door) |
| A-8 | 31Kg/m ² max | steel door |
| A-10, A-12 | 39Kg/m ² max | |
| A-14, A-16 | 41Kg/m ² max | |
| A-18, A-22, A-26 | 45Kg/m ² max | |
| A-30 | 52Kg/m ² max | |
| A-30H | 65Kg/m ² max | |





| | | | |
|----------------|----|--|--|
| CI/SfB | | | |
| 31 | 49 | | |
| September 2007 | | | |



D&E Soss invisible door closer hinge

The D&E Soss invisible door closer hinge is a completely concealed door closer. It is ideally suited to environments where an overhead closer can not be installed.

For use with the Soss DE218 hinges only.

Fire pack available for use on 30 minute fire doors - *contact the office for details.*

| | | |
|-------------|-------------------------|--------------------|
| DE218DC/B | sooss door closer hinge | brass plated |
| DE218DC/SNP | sooss door closer hinge | sat. nickel plated |
| DE218F/B | sooss fire rated hinge | brass plated |
| DE218F/SNP | sooss fire rated hinge | sat. nickel plated |

Door weight: 25Kg

Illustration shows 2 x standard DE218F Soss hinges & 1 x DE218DC Soss door closer hinge. Additional hinges, of either model, may be required. See below how to identify what your requirements are or please fax or email the office with the full details of your door, including the ironmongery.

Identifying the correct hinge

The stringent method of identifying the correct hinge for the task in hand is to follow these four easy steps.

1. Determine the width, thickness and height of the door.
2. Once the above is achieved go to table 1 *overleaf*. Locate the width and the weight of your door and draw a straight line through those two points, continuing the line on to the left hand edge of table 2. An example of this has been illustrated by a dotted line for a door 800mm wide and 85Kg in weight.
3. Where the line meets the left hand edge of table 2, draw a horizontal line the full width of the table. This determines your recommended hinge.
4. If you look at the dotted line this meets a light blue box, this indicates that if your door has a minimum thickness of 41mm then you can use 4 hinges type DE218, or, if you follow the line through to the next column because your door has a minimum thickness of 48mm then you must use 3 hinges of type DE220.

Table 1

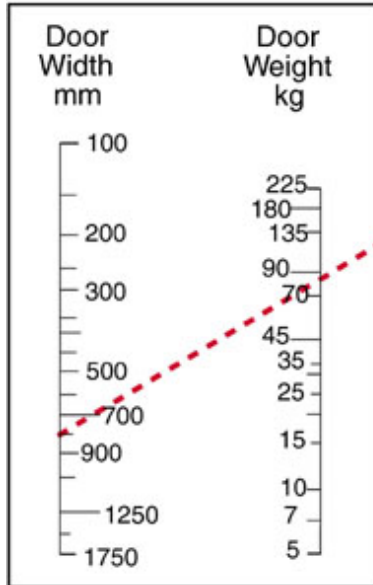
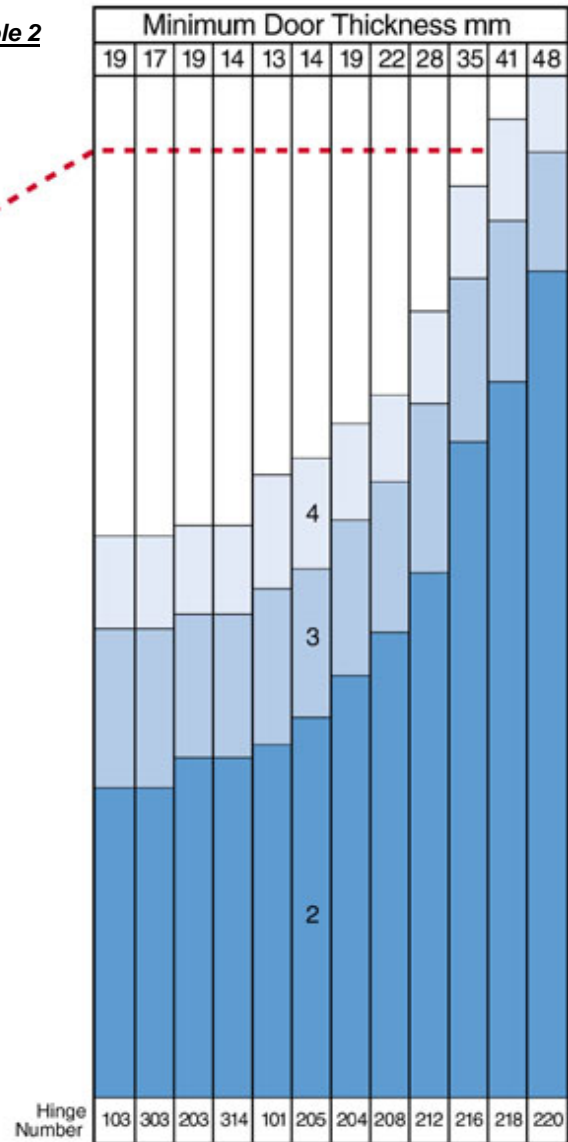


Table 2



| | | | |
|----------------|----|--|--|
| CI/SfB | | | |
| 31 | 49 | | |
| September 2007 | | | |



D&E transom closer

The *DEGRL100* transom closer is a double action door closer that is installed in the transom of the door. Fully adjustable closing and latching action. Successfully type tested to EN1154 and has achieved the CE mark.

DEGRL100450 double action transom door closer EN 1-4 complete with top arm and floor pivot silver

DEGRL100455 body only - incl. cover plate silver

DEGRL100820 bottom pivot with arm for side assembly

DEGRL100830 top pivot with arm for side assembly

EN classification:

| | | | | | |
|---|---|-----|---|---|---|
| 3 | 8 | 1-4 | 1 | 1 | 4 |
|---|---|-----|---|---|---|

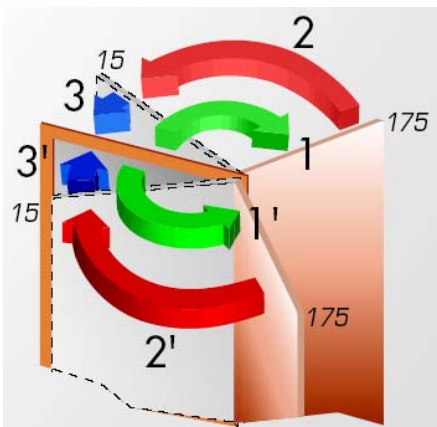
Size: 1-4 adjustable by allen key

Max door width: 1100mm

Max door weight: 120Kg

Max opening angle: 170 degrees

Dimensional data: see page D-1030 & D-1031



Operation

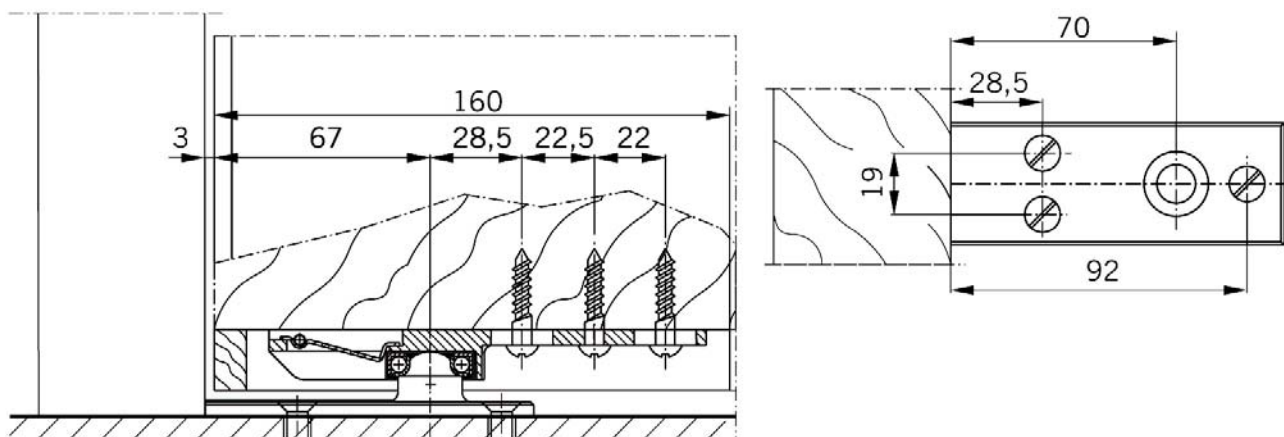
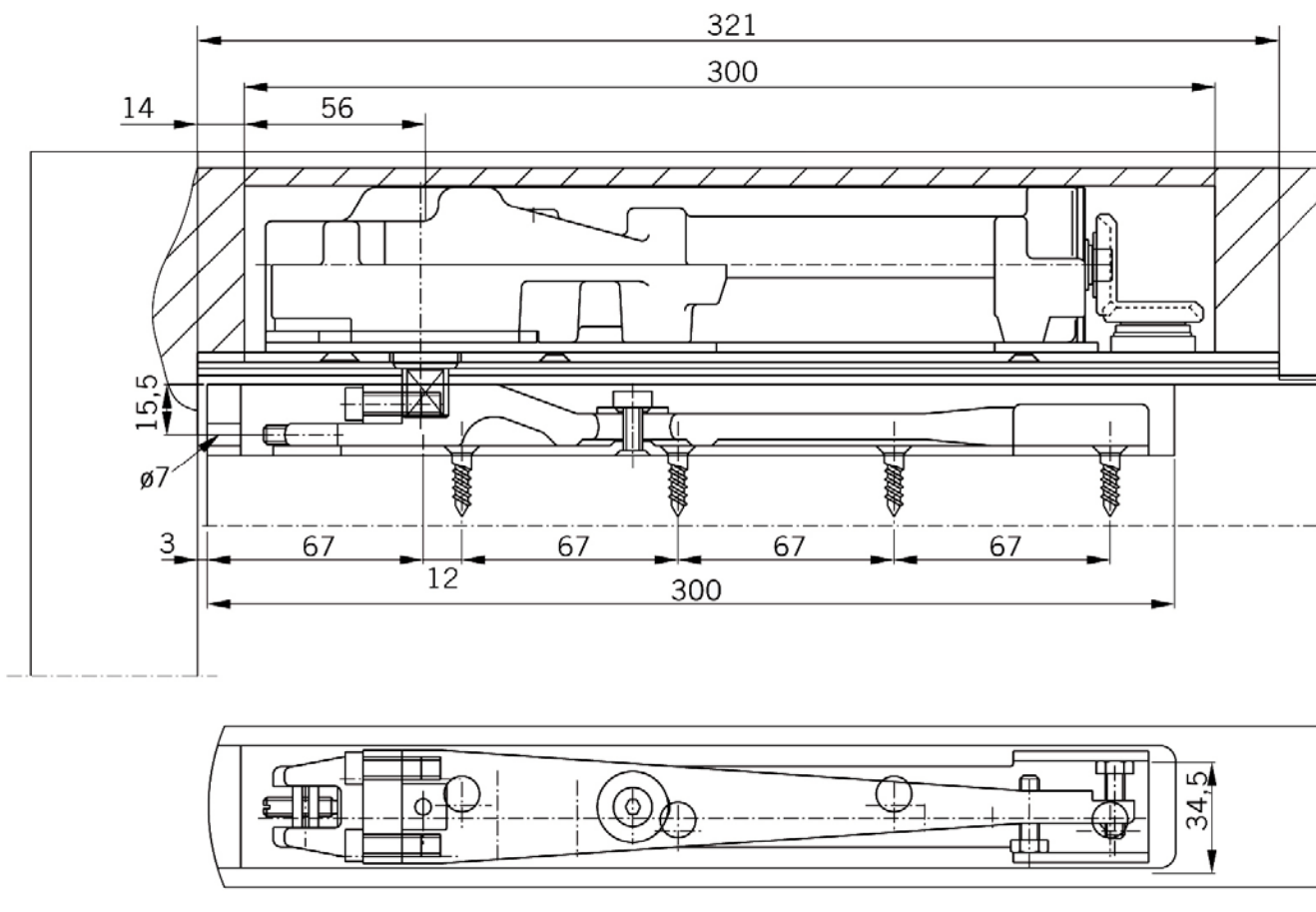
Zone 1 & 1' door opening through a range of 175° in either direction.

Zone 2 & 2' 175° & 15° controlled close - adjustable by needle valve

Zone 3 & 3' 15° - 0° controlled latching angle - adjustable by needle valve

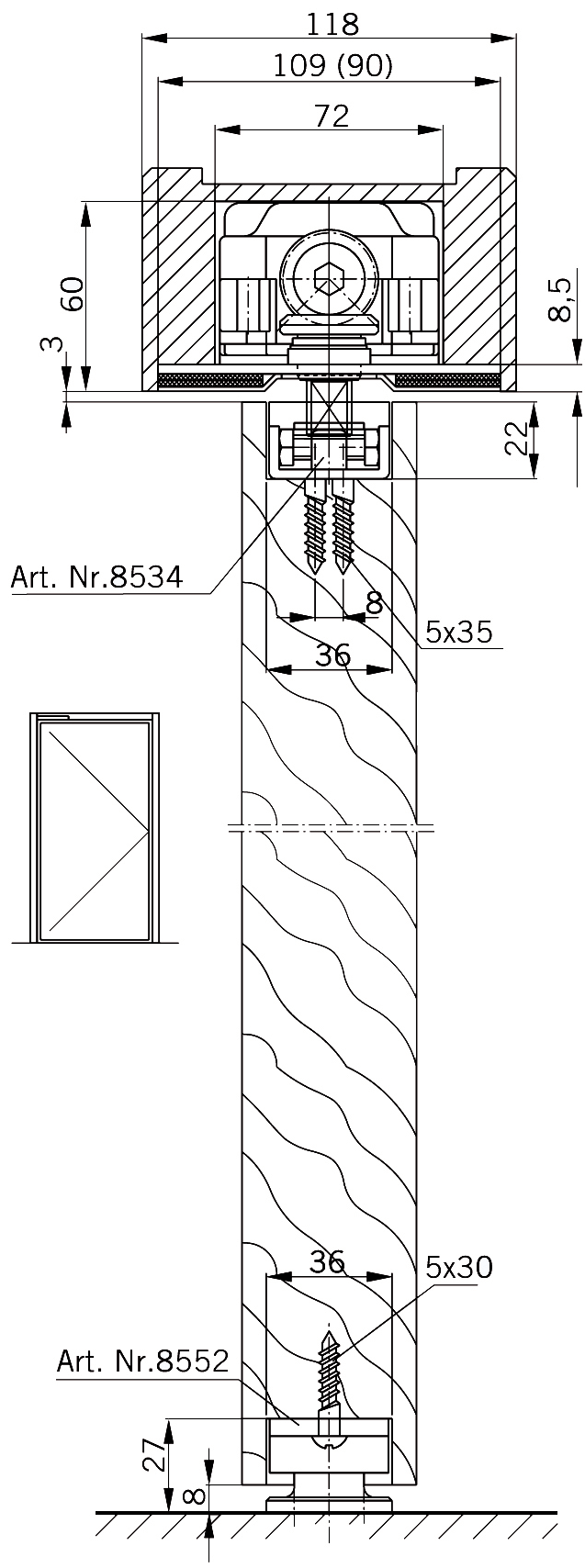
D&E transom closer - DEGRL100

| | | |
|----------------|----|--|
| CI/SfB | | |
| 31 | 49 | |
| September 2007 | | |



D&E transom closer - DEGRL100

| | | | |
|----------------|----|--|--|
| CI/SfB | | | |
| 31 | 49 | | |
| September 2007 | | | |



| | | | |
|----------------|----|--|--|
| CI/SfB | | | |
| 31 | 49 | | |
| September 2007 | | | |



NO QUIBBLE
5 YEARS
GUARANTEE

D&E transom door closer

The Groom GRL050 series transom door closer has been developed mainly for use with aluminium or steel door frames. The closer body is installed in the transom by setting the closer body in such a manner that the revolving shaft faces downwards and is connected with the driving arm for the opening and closing of the door. All mechanical functions have been installed in the upper side as to avoid cutting away the floor as required in the case of a floor spring. Successfully type tested to EN1154.

Side Load

- DEGRL053051 transom door closer - EN1154 size 3 - complete
- DEGRL053041 transom door closer with H/O- EN1154 size 3 - complete
- DEGRL054051 transom door closer - EN1154 size 4 - complete
- DEGRL054041 transom door closer with H/O- EN1154 size 4 - complete

End Load

- DEGRL053052 transom door closer - EN1154 size 3 - complete
- DEGRL053042 transom door closer with H/O- EN1154 size 3 - complete
- DEGRL054052 transom door closer - EN1154 size 4 - complete
- DEGRL054042 transom door closer with H/O- EN1154 size 4 - complete

Accessories

- DEGRL000831 RA-853A-40 side load arm
- DEGRL000832 RA-513A-77 end load arm
- DEGRL000833 RA-R513A-73 pinch free side load arm
- DEGRL000821 SCR-Q101 heavy duty bottom pivot

EN classification:

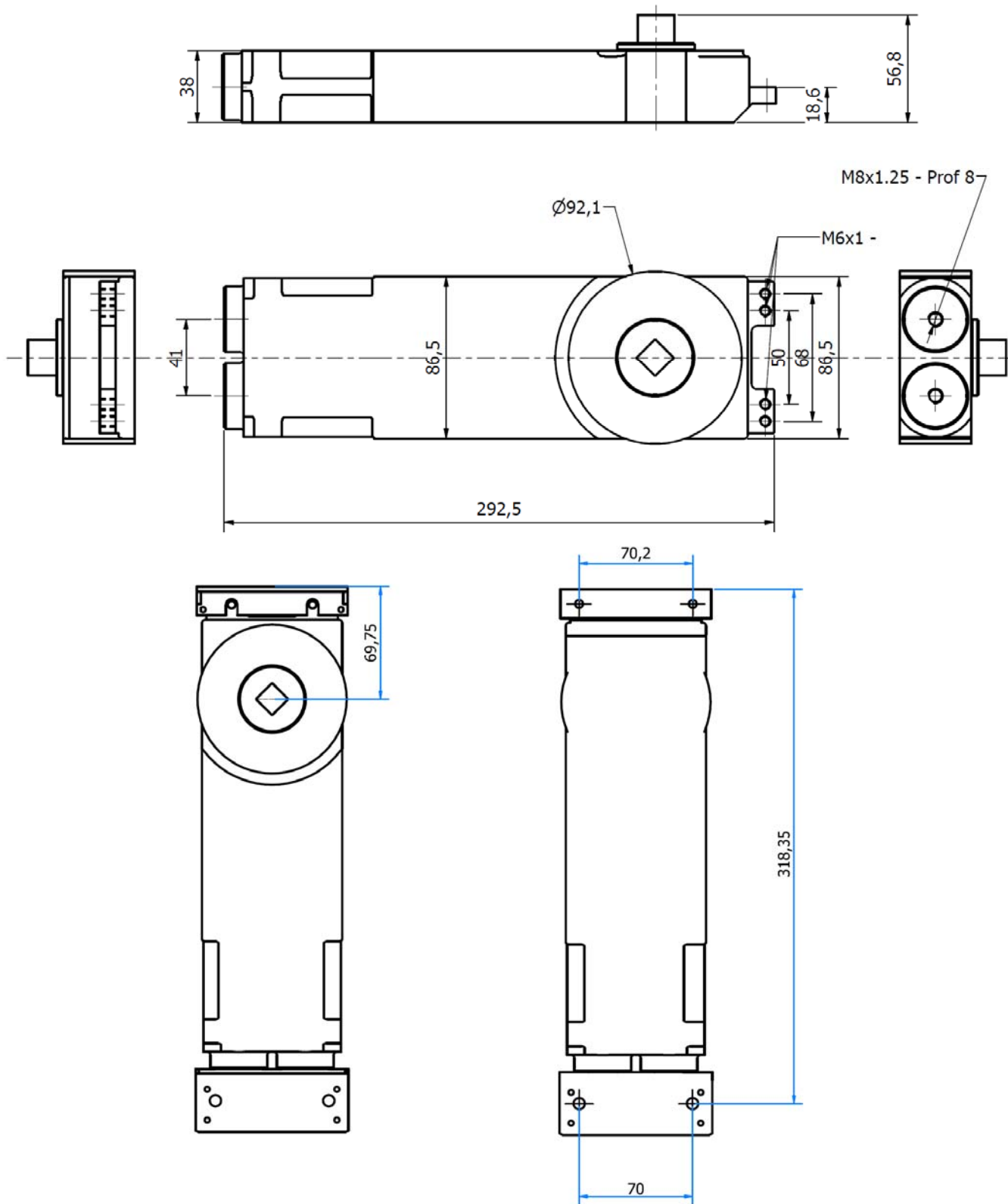
| | | | | | | |
|--------|---|---|---|---|---|---|
| Size 3 | 3 | 8 | 3 | 0 | 1 | 4 |
| Size 4 | 3 | 8 | 4 | 0 | 1 | 4 |

Std spindle height: 12mm
17mm & 20mm are available to special order - see Groom brochure pages 28 & 29)

Hold open angle: 90°

D&E transom closer

| | | | |
|------------|----|--|--|
| CI/SfB | | | |
| 31 | 49 | | |
| March 2011 | | | |



Sales: 01733 896123



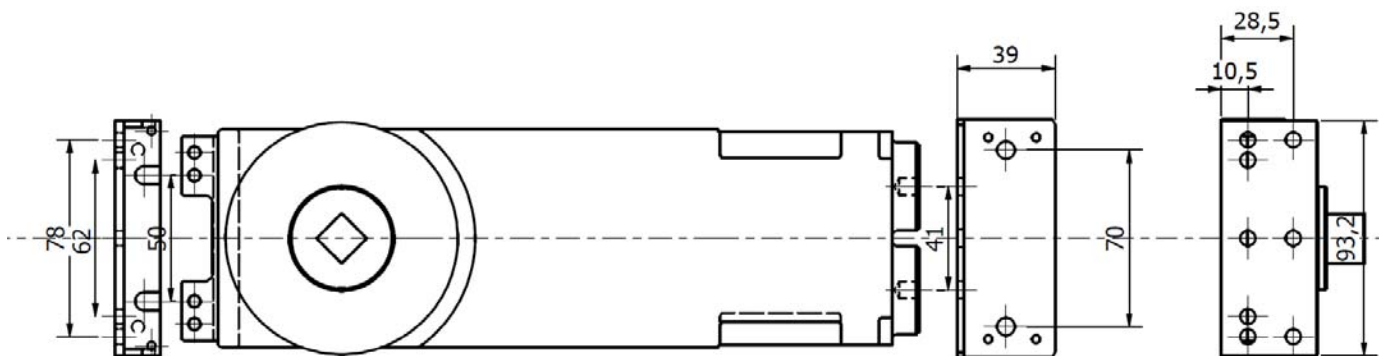
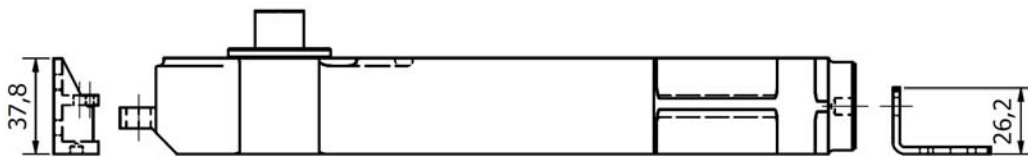
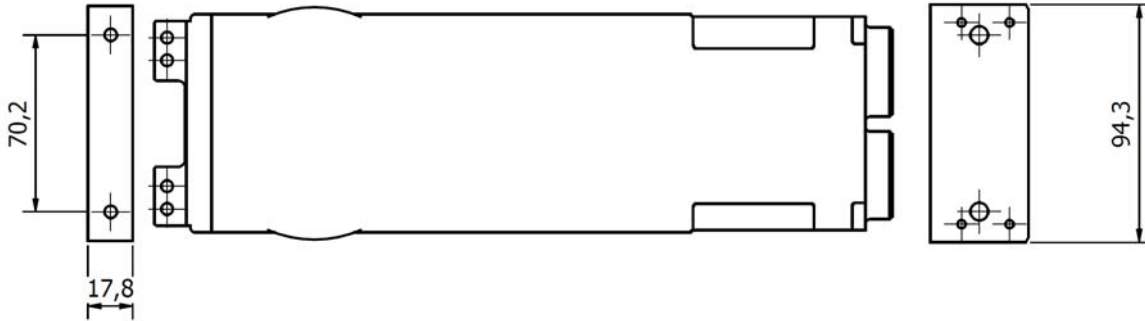
D-1032A

Fax: 01733 894466

E&OE

D&E transom closer

| | | |
|------------|----|--|
| CI/SfB | | |
| 31 | 49 | |
| March 2011 | | |



| | | | |
|----------------|----|--|--|
| CI/SfB | | | |
| 31 | 49 | | |
| September 2007 | | | |



D&E floor spring

The *DEGRP100* floor spring is a double action door closer that is installed in the floor. Fully adjustable closing and latching action. Successfully type tested to EN1154 and has achieved the CE mark.

Body only

DEGRP100350 floor spring body without H/O - EN 3
DEGRP100340 floor spring body with H/O - EN 3

EN classification:

| | | | | | |
|---|---|---|---|---|---|
| 3 | 8 | 3 | 1 | 1 | 4 |
|---|---|---|---|---|---|

Max door width: 950mm

Size: EN 3

Max door weight: 80Kg

DEGRP100450 floor spring body without H/O - EN 4
DEGRP100440 floor spring body with H/O - EN 4

EN classification:

| | | | | | |
|---|---|---|---|---|---|
| 3 | 8 | 4 | 1 | 1 | 4 |
|---|---|---|---|---|---|

Max door width: 1100mm

Size: EN 4

Max door weight: 100Kg

DEGRP100820 cover plate sat. stainless steel
DEGRP100810 square pivot for *DEGRP100*
DEGRP100811 rectangular pivot for *DEGRP100*
DEGRP100820 aluminium top centre for *DEGRP100*
DEGRP100821 steel top centre for *DEGRP100*
DEGRP100822 hinge bearing
DEGRP100810 bottom strap for rectangular pivot
DEGRP100810 bottom strap for rectangular pivot for use on aluminium doors

Size: 1-4 adjustable by allen key

Max door width: 1100mm

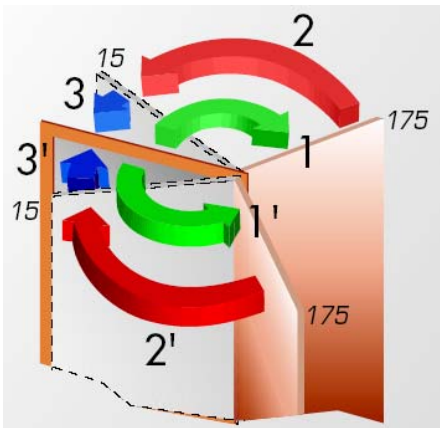
Max door weight: 120Kg

Max opening angle: 170 degrees

Dimensional data: see page D-1034

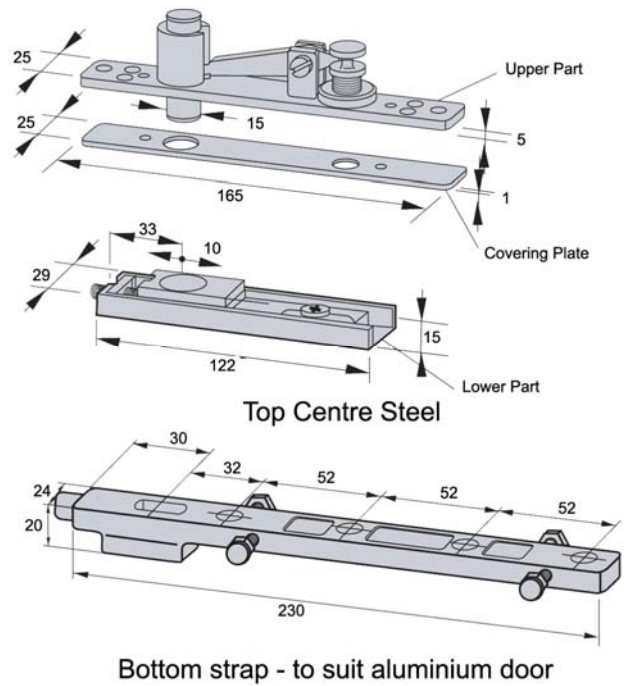
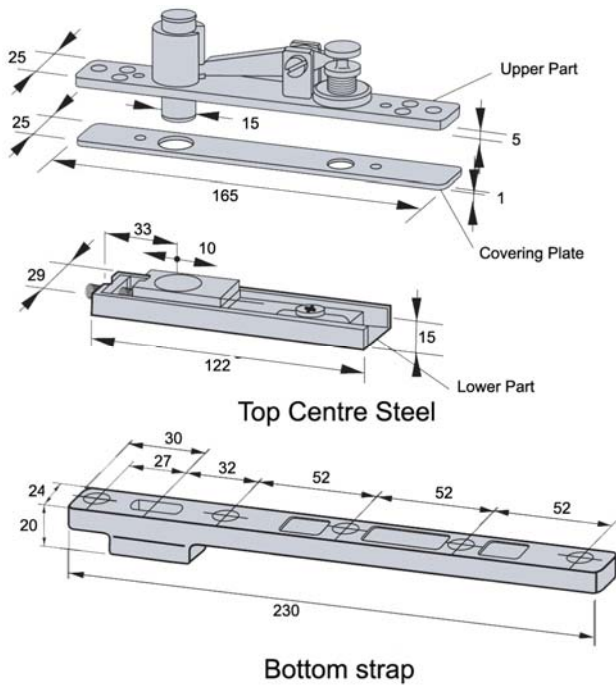
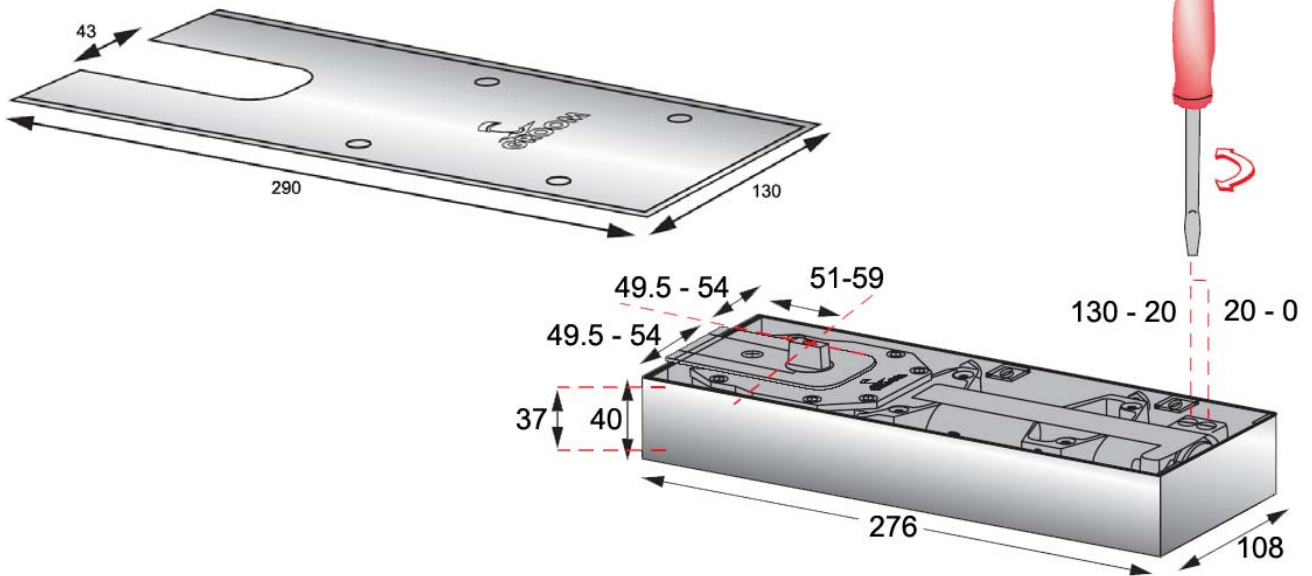
D&EGRP100 floor spring

| | | | |
|----------------|----|--|--|
| CI/SfB | | | |
| 31 | 49 | | |
| September 2007 | | | |



Operation

- Zone 1 & 1' door opening through a range of 175° in either direction.
- Zone 2 & 2' 175° & 15° controlled close - adjustable by needle valve
- Zone 3 & 3' 15° - 0° controlled latching angle



Sales: 01733 896123



D-1034

Fax: 01733 894466

E&OE

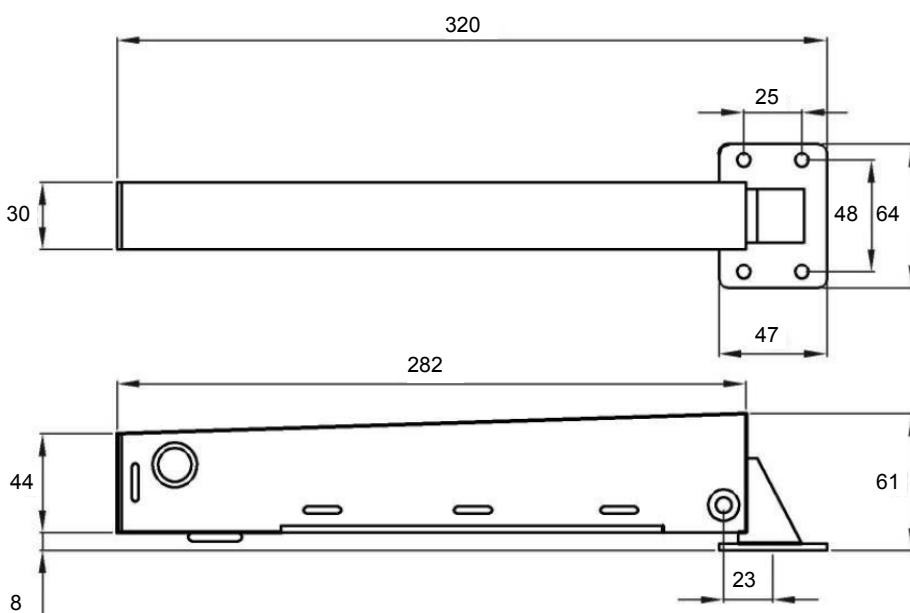
| | | | |
|---------------|----|--|--|
| CI/SfB | | | |
| 31 | 49 | | |
| December 2013 | | | |



D&E hydraulic gate closer

The 'adeco' DEDC2600 gate closer is a single action closer with controlled closing action. The separate adjustment for both the closing & latching speeds allow for a personalised closing motion. The DEDC2600 is also supplied as standard with an optional hold open facility.

- DEDC2600 gate closer black
- Max gate width: 1000mm
- Gate weight: 50Kg
- Hold open angle: 90°
- Max opening angle: 90°
- Suitable for use with conventional butt hinges only.



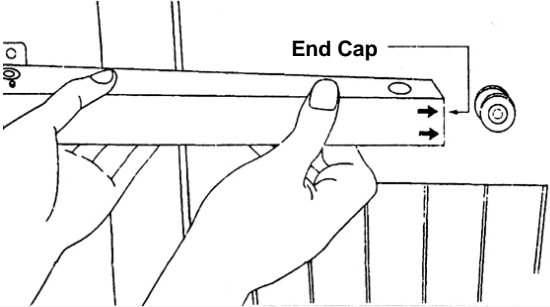
D&E 'adeco' gate closer

| | | |
|----------------|----|--|
| CI/SfB | | |
| 31 | 49 | |
| September 2007 | | |

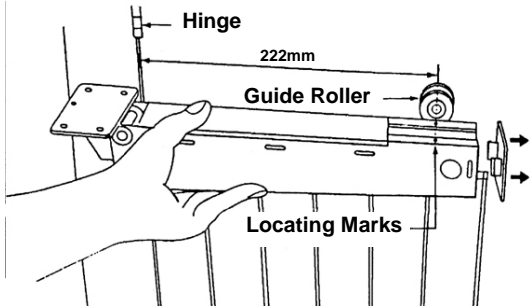
- The DC2600 can be installed at the top, middle or bottom of the gate on the 'PULL' side only.
- The face of the gate must be flush with the face of the gatepost.
- The gate should be hinged as close to the gate post as possible.
- The pivot point of the closer must be inline with the centre pivot line of the hinges. It may be necessary to fabricate a bracket or spacer to allow the closer to be installed correctly.
- The gate must swing freely on its hinges prior to installing the closer and the hinges must be greased regularly.
- The guide roller must be fitted. It may be necessary to fabricate a bracket / spacer to mount receive the guide roller.
- The gate must not be allowed to be opened more than 90°. If this is a possibility then a floor mounted door / gate stop should be installed.
- The holding pin (see fig. 4) must not be removed until the closer is fitted.

Maximum Gate Weight: 50Kgs / Maximum Gate Width: 1000mm

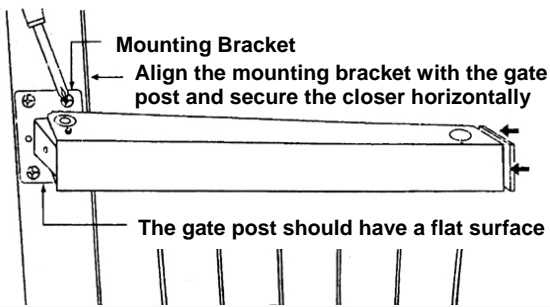
2: Remove the end cap and slide the closer on to the guide roller. Replace the end cap.



1: From the centre pivot line of the hinges, measure 222mm and secure the guide roller to the gate. This will line up with the locating marks which are on the body of the closer.



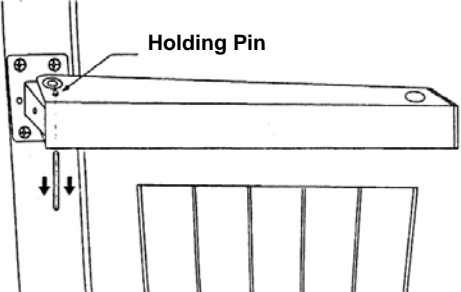
3: Secure the mounting bracket to the gate post with the four (4) screws supplied.



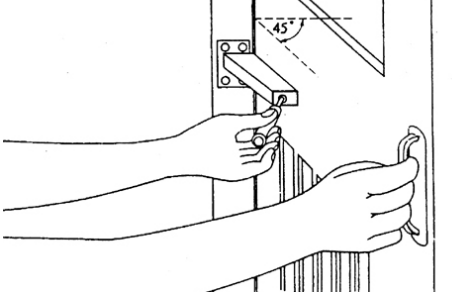
Align the mounting bracket with the gate post and secure the closer horizontally

The gate post should have a flat surface

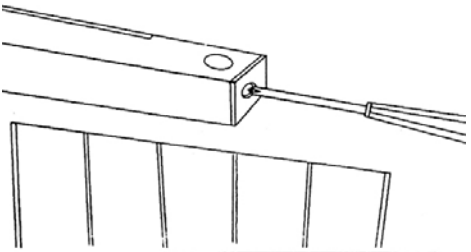
4: Open the gate slowly until the holding pin either drops out or can be removed easily. If the holding pin is not removed prior to operating the gate, then the gate will not open and damage the closer may occur.



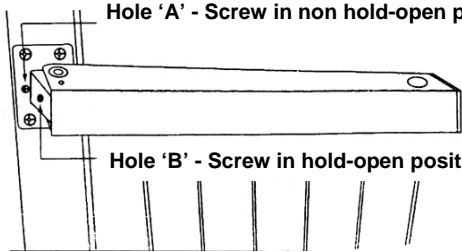
5: Holding the door open at about 45°, you can adjust the closing speed as required. Adjustment is via a screwdriver and should be in ¼ turn increments clockwise or anti-clockwise for a slower or faster closing action.



6: With the gate in the closed position, the final latching speed can be adjusted in the same manner as part 5 of these instructions.



7: To engage the hold-open function, simply remove the screw from hole 'A' and screw it into hole 'B' for safe keeping. To remove the hold open function simply reverse this procedure. Do not force the closer beyond the screw as doing so will damage the closer.



© D&E Architectural Hardware Ltd - September 2007

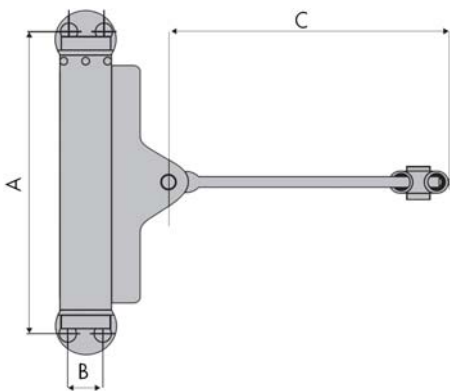


D&E 'tirex' gate closer

The D&E tirex gate closer is a helical door spring with a pivoted arm.

The arm locates between two (2) rollers which are mounted on the door to eliminate any wear on the door.

The closing speed is adjusted by inserting the tension bar into a hole in the capstan and increasing / decreasing the tension as required. The desired tension is then held in place by a pin that is inserted into an adjacent hole.



DEGR152201 gate closer - 40Kg silver

Dim A: 115mm
Dim B: 21mm
Dim C: 240mm

DEGR154201 heavy duty gate closer - 80Kg silver

Dim A: 169mm
Dim B: 21mm
Dim C: 342mm

Max opening angle: 180°

D&E 'tirex 2' gate closer



The D&E tirex 2 gate closer is a helical door spring with a pivoted arm. The arm rests on a roller which is mounted on the door to eliminate any wear on the door.

The closing speed is adjusted by inserting the tension bar into a hole in the capstan and increasing / decreasing the tension as required. The desired tension is then held in place by a pin that is inserted into an adjacent hole.

DE091001 gate closer - 25Kg zinc plated

Dim A: 75mm
Dim B: 235mm

DE091002 gate closer - 40Kg zinc plated

Dim A: 100mm
Dim B: 235mm

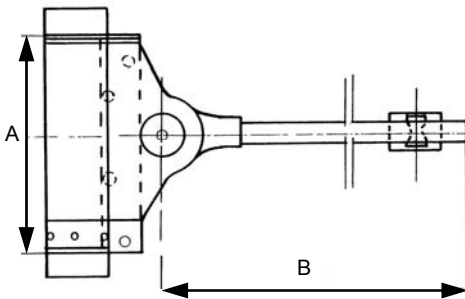
DE091003 gate closer - 60Kg zinc plated

Dim A: 125mm
Dim B: 235mm

DE091004 heavy duty gate closer - 80Kg zinc plated

Dim A: 150mm
Dim B: 300mm

Max opening angle: 180°



| | | | |
|-------------|----|--|--|
| CI/SfB | | | |
| 31 | 49 | | |
| August 2011 | | | |



D&E 'spiral' gate closer

The D&E spiral gate closer is a helical spring.

The closing speed is adjusted by the inserting the tension bar into a hole in the capstan and increasing / decreasing the tension as required. The desired tension is then held in place by a pin that is inserted into an adjacent hole.

DEGR172001 gate closer - 40Kg silver

Dim A: 222mm

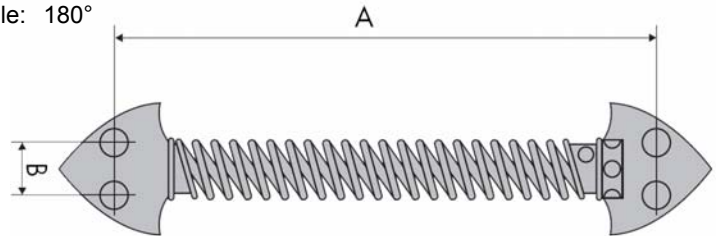
Dim B: 16mm

DEGR174001 gate closer - 60Kg silver

Dim A: 283mm

Dim B: 17mm

Max opening angle: 180°



D&E 'spiral 2' stainless steel gate closer

The D&E 'spiral 2' gate closer is a helical spring.

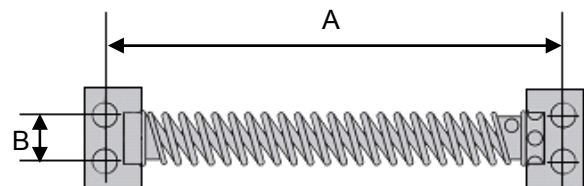
The closing speed is adjusted by the inserting the tension bar into a hole in the capstan and increasing / decreasing the tension as required. The desired tension is then held in place by a pin that is inserted into an adjacent hole.

DE089280i gate closer - 60Kg stainless steel

Dim A: 270mm

Dim B: 18mm

Stainless steel grade: SUS 304



| | | |
|----------------|------|--|
| CI/SfB | | |
| 31/59 | Xt 7 | |
| September 2007 | | |

D&E door selector



The *DEDS** door selector range enables a pair of self closing doors with rebated meeting stiles to close in the correct sequence automatically, no matter which door is opened first. Successfully type tested to BS EN1158.

Suitable timber doors of any width up to 1220mm (4'0") per door and all standard thicknesses and rebate sizes.

For applications under difficult or unusual conditions please supply all available information for confirmation of specification.

| | | |
|------------------|---------------|-----------------------------|
| <i>DEDS</i> | door selector | silver anodised |
| <i>DEDSG</i> | door selector | gold anodised |
| <i>DEDSPC</i> | door selector | pol. chrome |
| <i>DEDSPB</i> | door selector | pol. brass finish |
| <i>DEDSSES</i> | door selector | sat. stainless steel finish |
| <i>DEDSBLACK</i> | door selector | black |

Supplied complete with fixings and full installation instructions.

D&E door selector - Fire door model



The *DEDS²FD* door selector will enable a pair of self closing doors with rebated meeting stiles to close in the correct sequence automatically, no matter which door is opened first.

Suitable timber doors of any width up to 1220mm (4'0") per door and all standard thicknesses and rebate sizes. For applications under difficult or unusual conditions please supply all available information for confirmation of specification.

| | | |
|---------------------------|---------------|-----------------|
| <i>DEDS²FD</i> | door selector | silver anodised |
|---------------------------|---------------|-----------------|

Supplied complete with fixings and full installation instructions.

| | | |
|-------------|------|--|
| CI/SfB | | |
| 31/59 | Xt 7 | |
| August 2011 | | |

D&E door selector



The *DEL250*, *L300* & *L350* door selectors are designed to enable a pair of self closing doors with rebated meeting stiles to close in the correct sequence automatically, no matter which door is opened first.

DEL250 door selector sat. stainless steel
 Door widths: 500 - 800mm per leaf

DEL300 door selector sat. stainless steel
 Door widths: 800 - 1300mm per leaf

DEL350 door selector sat. stainless steel
 Door widths: 1300 - 1800mm per leaf

Supplied complete with fixings and full installation instructions.



D&E door selector

The *DE30DK* door selector is installed under the head of the door frame in place of the transom stop. It operates by holding the primary leaf open until the slave / secondary door closes and the release mechanism is operated, allowing the primary leaf to close in the correct sequence.

DE30DK/850/SI door selector - 850mm long silver
 Door width: max 1600mm combined

DE30DK/1150/SI door selector - 1150mm long silver
 Door width: max 2200mm combined

Body dimensions: width - 40mm
 thickness - 20mm

Supplied complete with fixings and full installation instructions.

For installation on steel or aluminium doors with a matching frame, the ***DE31DK mounting brackets*** should be used. Installation is achieved via 3 mounting brackets (supplied un-drilled) fixed to the push side of the door frame.

| | | |
|-------------|------|--|
| CI/SfB | | |
| 31/59 | Xt 7 | |
| August 2011 | | |

D&E door selector & rebate carrier



The *DESV2* door selector is for use on rebated double doors. The *DEGR475EN* in silver lacquered finish, has been successfully type tested to EN1158. It operates by holding the primary leaf open until the slave / secondary door closes and the lifts the release arm, allowing the primary leaf to close in the correct sequence.

| | | |
|--|---------------------------------------|-----------------------|
| <i>DEGR475EN/SI</i> | door selector & rebate carrier EN1158 | silver lacquered |
| <i>DEGR475/NP</i> | door selector only | nickel plated |
| <i>DEGR465/NP</i> | rebate carrier only | nickel plated |
| <i>DEGR475/XX</i> | door selector only | RAL colour |
| <i>DEGR465/XX</i> | rebate carrier only | RAL colour |
| <i>(RAL colours may incur a setting up fee if a non-standard RAL colour is required)</i> | | |
| <i>DEGR475/SSS</i> | door selector only | satin stainless steel |
| <i>Rebate carrier not available in stainless steel</i> | | |

Max door weight 100Kg

Supplied complete with fixings and installation instructions or see Page E1003A.



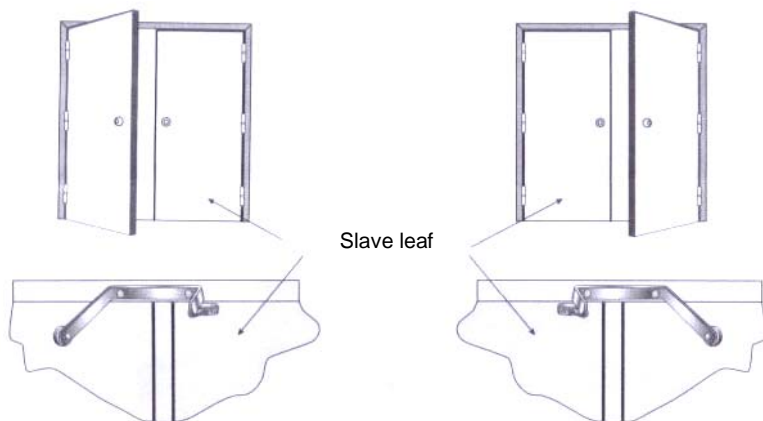
D&E door selector

The *DE25DK* door selector is a twin roller door selector for use on rebated double doors. It operates by holding the primary leaf open until the slave / secondary door closes and the lifts the release arm, allowing the primary leaf to close in the correct sequence.

| | | |
|------------------|---------------|--------|
| <i>DE25DK/SI</i> | door selector | silver |
|------------------|---------------|--------|

Supplied complete with fixings and installation instructions.

| | | |
|-------------|------|--|
| CI/SfB | | |
| 31/59 | Xt 7 | |
| August 2011 | | |



D&E Groom door selector

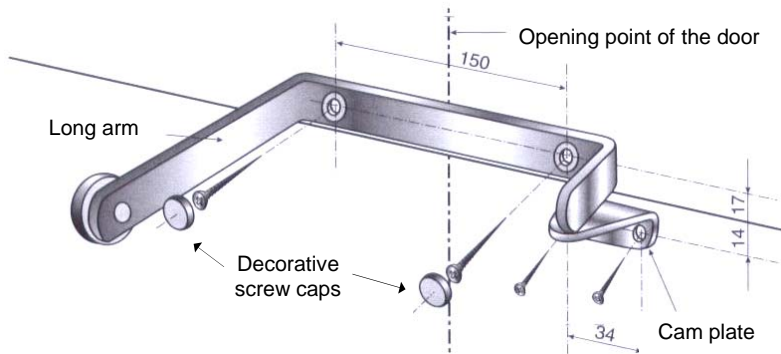
DEGR475EN/SI door selector & rebate carrier EN1158

Finish: silver lacquered

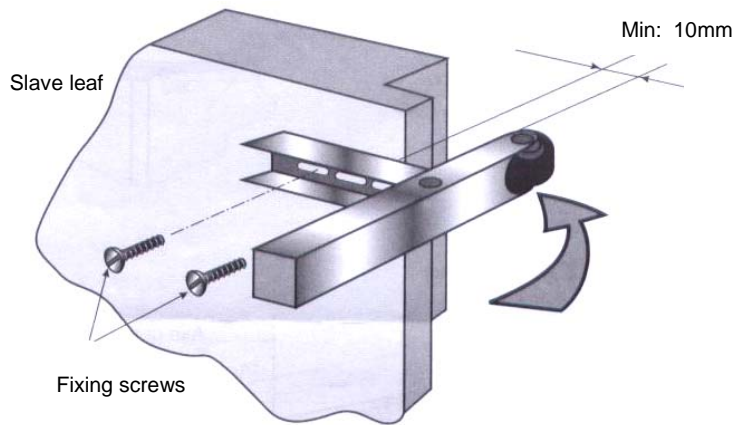
Packaging: 1 / 10 pcs

Max door weight : 100Kg

Supplied complete with fixings and installation instructions.

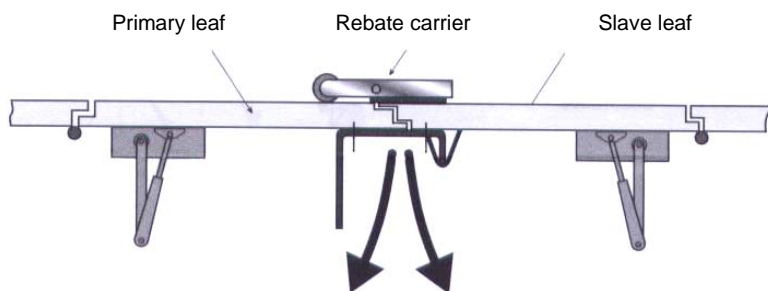


Installed on the frame of the door above the opening point of the door / rebate.



The rebate carrier is used to open the primary leaf passed the long roller arm. The door selector drops down catching the primary leaf to prevent it from closing in the incorrect sequence.

Ensure that the fixings for the rebate carrier are firmly secured as this item is put under strain when being used.



| | | |
|-------------|-------|------|
| CI/SfB | | |
| | 31/59 | Xt 7 |
| August 2011 | | |

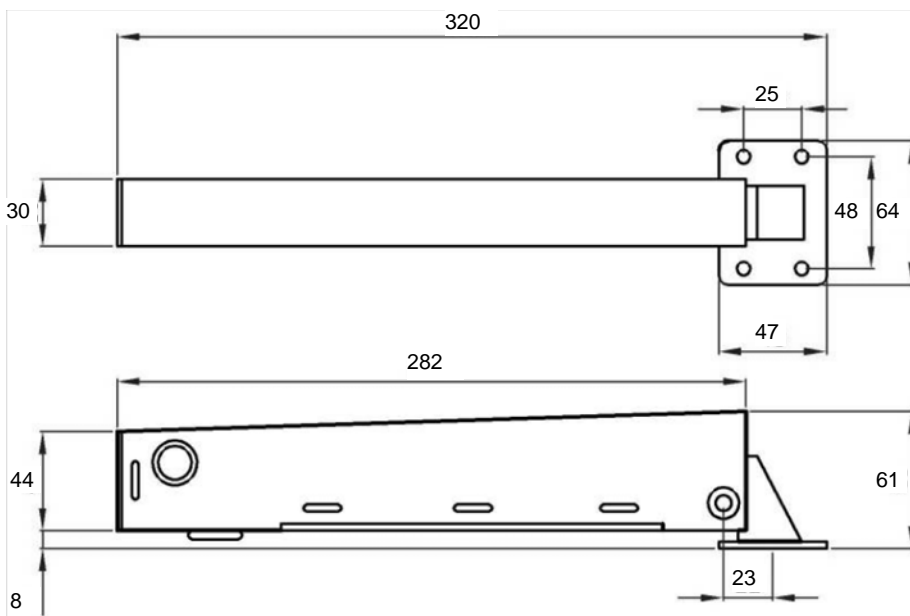


D&E hydraulic gate closer

The 'adeco' DEDC2600 gate closer is a single action closer with controlled closing action. The separate adjustment for both the closing & latching speeds allow for a personalised closing motion. The DEDC2600 is also supplied as standard with an optional hold open facility.

- DEDC2600 gate closer black
- Max gate width: 1000mm
- Gate weight: 50Kg
- Hold open angle: 90°
- Max opening angle: 90°

NOT SUITABLE FOR PIVOTING HINGES



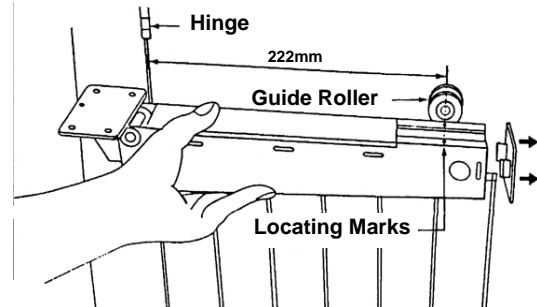
D&E 'adeco' gate closer

| | | |
|----------------|------|--|
| CI/SfB | | |
| 31/59 | Xt 7 | |
| September 2007 | | |

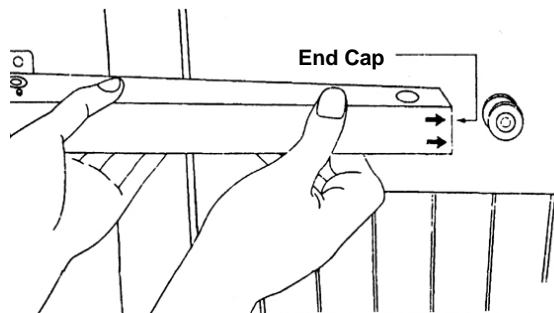
- The DC2600 can be installed at the top, middle or bottom of the gate on the 'PULL' side only.
- The face of the gate must be flush with the face of the gatepost.
- The gate should be hinged as close to the gate post as possible.
- The pivot point of the closer must be inline with the centre pivot line of the hinges. It may be necessary to fabricate a bracket or spacer to allow the closer to be installed correctly.
- The gate must swing freely on its hinges prior to installing the closer and the hinges must be greased regularly.
- The guide roller must be fitted. It may be necessary to fabricate a bracket / spacer to mount receive the guide roller.
- The gate must not be allowed to be opened more than 90°. If this is a possibility then a floor mounted door / gate stop should be installed.
- The holding pin (see fig. 4) must not be removed until the closer is fitted.

Maximum Gate Weight: 50Kgs / Maximum Gate Width: 1000mm

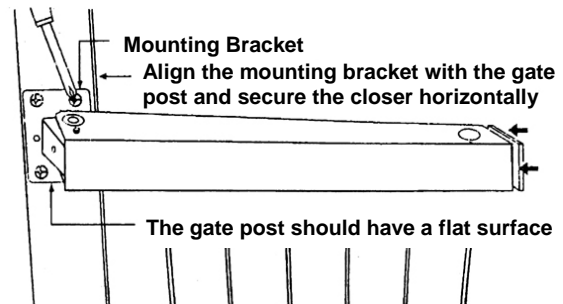
1: From the centre pivot line of the hinges, measure 222mm and secure the guide roller to the gate. This will line up with the locating marks which are on the body of the closer.



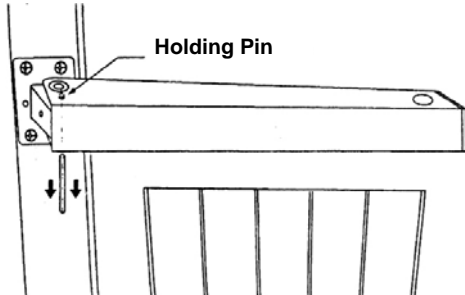
2: Remove the end cap and slide the closer on to the guide roller. Replace the end cap.



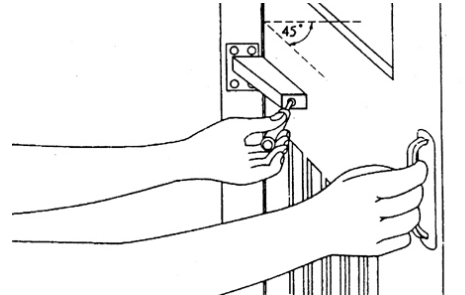
3: Secure the mounting bracket to the gate post with the four (4) screws supplied.



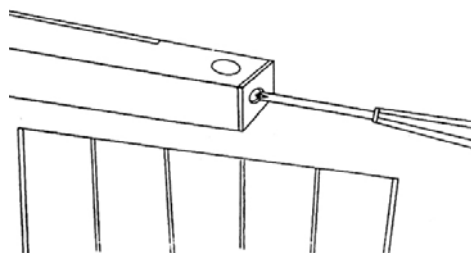
4: Open the gate slowly until the holding pin either drops out or can be removed easily. If the holding pin is not removed prior to operating the gate, then the gate will not open and damage the closer may occur.



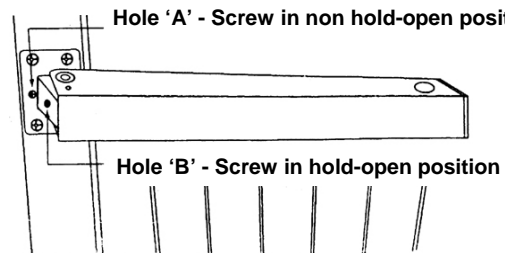
5: Holding the door open at about 45°, you can adjust the closing speed as required. Adjustment is via a screwdriver and should be in ¼ turn increments clockwise or anti-clockwise for a slower or faster closing action.



6: With the gate in the closed position, the final latching speed can be adjusted in the same manner as part 5 of these instructions.



7: To engage the hold-open function, simply remove the screw from hole 'A' and screw it into hole 'B' for safe keeping. To remove the hold open function simply reverse this procedure. Do not force the closer beyond the screw as doing so will damage the closer.



© D&E Architectural Hardware Ltd - September 2007

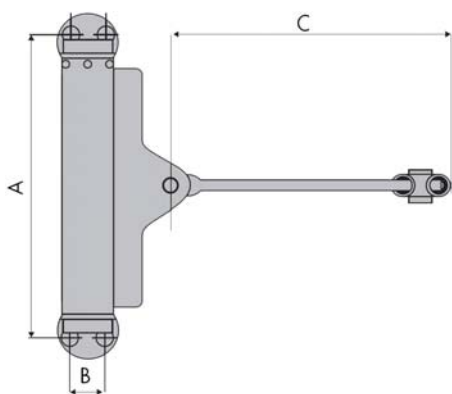


D&E 'tirex' gate closer

The D&E tirex gate closer is a helical door spring with a pivoted arm.

The arm locates between two (2) rollers which are mounted on the door to eliminate any wear on the door.

The closing speed is adjusted by inserting the tension bar into a hole in the capstan and increasing / decreasing the tension as required. The desired tension is then held in place by a pin that is inserted into an adjacent hole.



DEGR152201 gate closer - 40Kg silver

Dim A: 115mm
Dim B: 21mm
Dim C: 240mm

DEGR154201 heavy duty gate closer - 80Kg silver

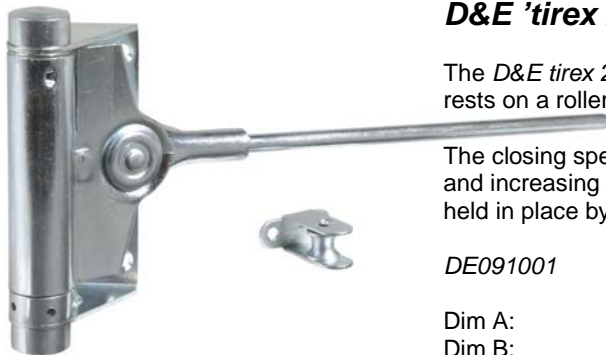
Dim A: 169mm
Dim B: 21mm
Dim C: 342mm

Max opening angle: 180°

D&E 'tirex 2' gate closer

The D&E tirex 2 gate closer is a helical door spring with a pivoted arm. The arm rests on a roller which is mounted on the door to eliminate any wear on the door.

The closing speed is adjusted by inserting the tension bar into a hole in the capstan and increasing / decreasing the tension as required. The desired tension is then held in place by a pin that is inserted into an adjacent hole.



DE091001 gate closer - 25Kg zinc plated

Dim A: 75mm
Dim B: 235mm

DE091002 gate closer - 40Kg zinc plated

Dim A: 100mm
Dim B: 235mm

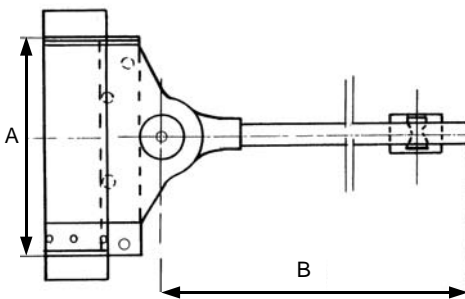
DE091003 gate closer - 60Kg zinc plated

Dim A: 125mm
Dim B: 235mm

DE091004 heavy duty gate closer - 80Kg zinc plated

Dim A: 150mm
Dim B: 300mm

Max opening angle: 180°



| | | |
|-------------|------|--|
| CI/SfB | | |
| 31/59 | Xt 7 | |
| August 2011 | | |



D&E 'spiral' gate closer

The D&E spiral gate closer is a helical spring.

The closing speed is adjusted by the inserting the tension bar into a hole in the capstan and increasing / decreasing the tension as required. The desired tension is then held in place by a pin that is inserted into an adjacent hole.

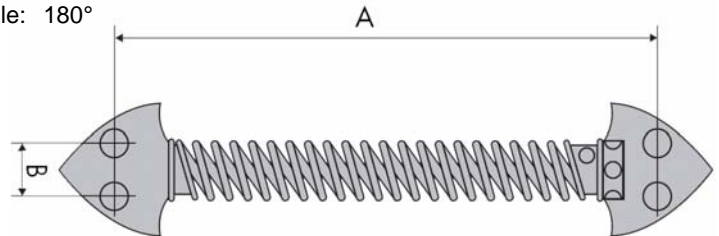
DEGR172001 gate closer - 40Kg silver

Dim A: 222mm
Dim B: 16mm

DEGR174001 gate closer - 60Kg silver

Dim A: 283mm
Dim B: 17mm

Max opening angle: 180°



D&E 'spiral 2' stainless steel gate closer

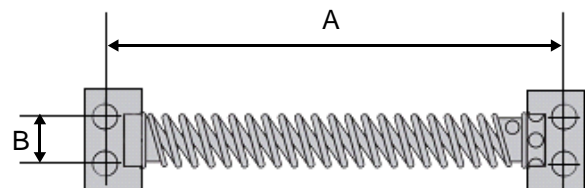
The D&E 'spiral 2' gate closer is a helical spring.

The closing speed is adjusted by the inserting the tension bar into a hole in the capstan and increasing / decreasing the tension as required. The desired tension is then held in place by a pin that is inserted into an adjacent hole.

DE089280i gate closer - 60Kg stainless steel

Dim A: 270mm
Dim B: 18mm

Stainless steel grade: SUS 304



| | | |
|-----------|-------|------|
| CI/SfB | | |
| | 31/59 | Xt 7 |
| July 2010 | | |

The D&E Dictator Range



Sliding door model
DEDC1100F/20/NP

The D&E door checks grab the door as it nears the closed position. The built in damper stops the door from slamming and draws the door shut in a firm and quiet motion.

This operation is much quieter than that of most conventional overhead door closer, which tend to slam the door shut in the last few inches of closing.

Given the reduction of noise, the D&E Dictator is ideal for use in hotels, hospitals, dormitories etc... .

The D&E Dictator provides a positive closing / holding force when the door is in the closed position. This makes it a *must* where wind pressure changes can cause the door to open or not close properly.

Note: For this item to function properly a door closer of some fashion must be installed on the door to provide the initial closing of the door.

Benefits of the D&E Dictator

Anti-slam function provides a quiet close

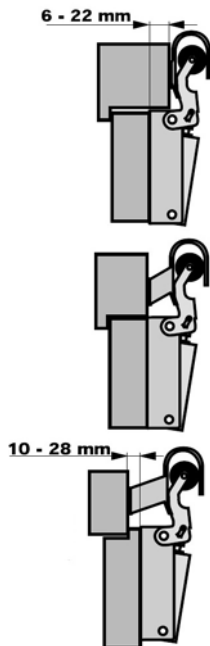
Helps conserve energy - reduces heat / cold loss

Helps prevent the spread of fire

Easy to install and virtually maintenance free

How the range is achieved

The D&E Dictator Series is normally installed on the face of the door. Variations of this Range are achievable by the use of a different hook.



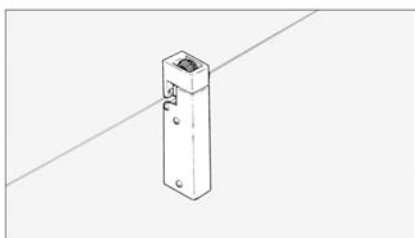
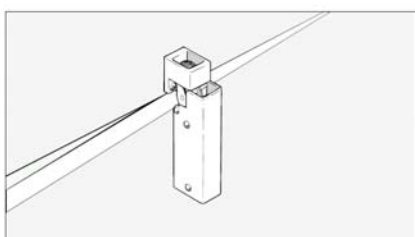
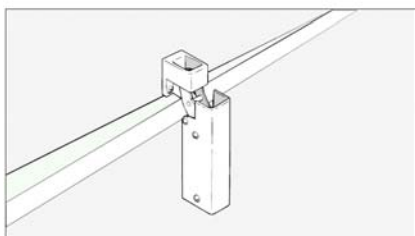
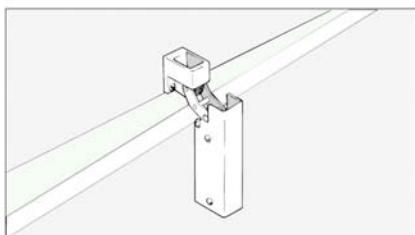
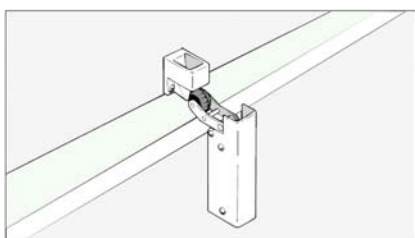
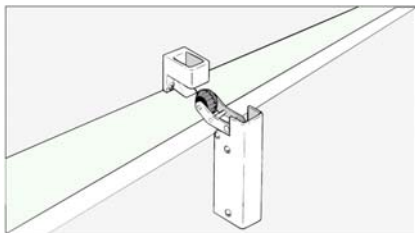
DEHK1011R is for use on doors that are recessed by 10 - 20mm

DEHK1009F is for use on doors that are flush or with up to a 12mm thick architrave

DEHK1013OR is for use on doors with a 10 - 28mm over rebate

| | | |
|-----------|-------|------|
| CI/SfB | 31/59 | Xt 7 |
| July 2010 | | |

Operation



Mounting:

D&E DICTATOR door dampers are particularly suitable for heavy doors needing to close firmly. They are usually mounted towards the centre of the upper door leaf to enable it to close firmly and open easily.

If there is insufficient room over the door to mount the hook, we recommend you fit the *DEDC1400i* on the closing face of the door.

Operation:

When the door is opened the hook automatically pushes the door damper roller lever downwards and thus releases the internal compressed spring. Whenever the door is closed the roller lever enters the hook, controlling the door movement hydraulically during the last part of its closing travel. Now the door damper's internal spring is compressed and the door damper completely closes the door and keeps it firmly shut.

Damping characteristics:

Irrespective of the door size and weight, and whether the door is slammed or properly closed, the progressive braking action controls the door firmly, but gently.

Adjustment:

Strict quality control ensures that all door dampers are adjusted to give optimum damping.

The D&E Dictator door damper is reliable and easy to use and does not need to be adjusted once installed.

Variations:

You can choose from various different models; the top of the range Dictator *DEDCVS2000* door damper, the smaller *DEDC1600* and the *DEDC1400i* which can be unobtrusively mounted on the closing face of the door, the *DE1300* with visible cylinder and reinforced joints, and the small, cost effective *DEDC1000*.

All D&E Dictator door dampers are supplied complete with the hook and fixing screws.

Note: *DEDC1400i* is considered a special, please contact a member of the Sales Team for information.

| | | |
|-----------|------|--|
| CI/SfB | | |
| 31/59 | Xt 7 | |
| July 2010 | | |

The D&E Dictator 1000 Series

This is the base model of the range. Normally installed on the face of the door. It comprises of 3 models, each of which is achieved with either a different hook or with the addition of a special mounting bracket.



DEDC1000F - Flush door model

Installed approximately central at the top edge of the door and used where the architrave does not project more than 12mm.

| | | |
|-----------------|----------|---------------|
| DEDC1000F/50/NP | Dictator | nickel plated |
| DEDC1000F/50/ZP | Dictator | zinc plated |

DEDC1000R - Recessed door model

Installed approximately central at the top edge of the door and used where the door is recessed by 10 - 20mm.

| | | |
|-----------------|----------|---------------|
| DEDC1000R/50/NP | Dictator | nickel plated |
| DEDC1000R/50/ZP | Dictator | zinc plated |

DEDC1000OR - Over rebated door model

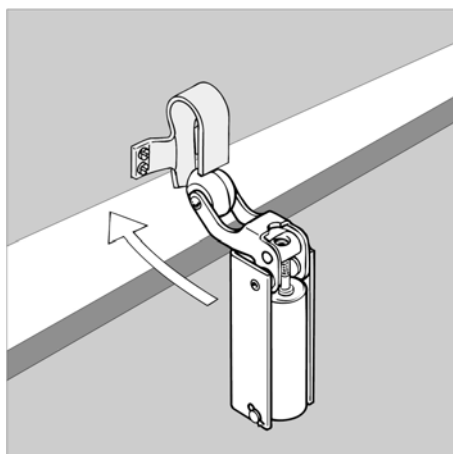
Installed approximately central at the top edge of the door and used where the door is over rebated by 10 - 28mm.

| | | |
|------------------|----------|---------------|
| DEDC1000OR/50/NP | Dictator | nickel plated |
| DEDC1000OR/50/ZP | Dictator | zinc plated |

Holding force 50N

For clarification on what we consider Flush, Recessed & Over rebated doors please see page E-1006A

Please specify if installation is horizontal or vertical



| | | |
|--------------|------|--|
| CI/SfB | | |
| 31/59 | Xt 7 | |
| January 2011 | | |

The D&E Dictator 1300 Series

Normally installed on the face of the door. It comprises of 3 models, each of which is achieved with either a different hook or with the addition of a special mounting bracket.



DEDC1300F - Flush door model

Installed approximately central at the top edge of the door and used where the architrave does not project more than 12mm.

| | | |
|-----------------|----------|---------------|
| DEDC1300F/50/NP | Dictator | nickel plated |
| DEDC1300F/50/ZP | Dictator | zinc plated |

Holding force 50N

Information on over-rebated or recessed doors and applications requiring horizontal installation is available upon request.

Please specify if installation is horizontal or vertical

The D&E Dictator 1400 Series

Normally installed horizontally on the closing face of the door under the with the hook located on the inside of the frame. It comprises of 2 models but with varying holding forces.



DEDC1400HI - Horizontal Internal / recessed door model

Installed horizontally under the top edge of the door on the closing face

| | | |
|-------------------|----------|----------------------|
| DEDC1400HI/20/B | Dictator | brass plated |
| DEDC1400HI/20/PC | Dictator | pol. chrome plated |
| DEDC1400HI/20/SSS | Dictator | sat. stainless steel |
| DEDC1400HI/50/PC | Dictator | pol. chrome plated |
| DEDC1400HI/50/SSS | Dictator | sat. stainless steel |
| DEDC1400HI/80/PC | Dictator | pol. chrome plated |
| DEDC1400HI/80/SSS | Dictator | sat. stainless steel |

DEDC1400I - Internal / recessed door model

Installed vertically under the top edge of the door on the closing face

| | | |
|-----------------|----------|-------------|
| DEDC1400I/50/ZP | Dictator | zinc plated |
|-----------------|----------|-------------|

Holding force 20N
50N
80N

Information on which model is suitable for your application / door is available upon request

Please specify if installation is horizontal or vertical



| | | |
|--------------|-------|------|
| CI/SfB | 31/59 | Xt 7 |
| January 2011 | | |

The D&E Dictator 1600 Series

Normally installed on the face of the door. It comprises of 3 models, each of which is achieved with either a different hook or with the addition of a special mounting bracket.



DEDC1600F - Flush door model

Installed approximately central at the top edge of the door and used where the architrave does not project more than 12mm.

| | | |
|------------------|----------|----------------------|
| DEDC1600F/50/PBP | Dictator | pol. brass plated |
| DEDC1600F/50/PC | Dictator | pol. chrome plated |
| DEDC1600F/50/SSS | Dictator | sat. stainless steel |

Holding force 50N

Information on over-rebated or recessed doors and applications requiring horizontal installation is available upon request

Please specify if installation is horizontal or vertical

The D&E Dictator VS2000 Series

Top of the range model



The progressive breaking action of the DICTATOR door dampers cushions and slows down the door gently and smoothly, then pulls the door closed.

The top of the range DICTATOR door damper is the DEDCVS2000, it is suitable for heavier applications and is available with a variety of spring strengths.

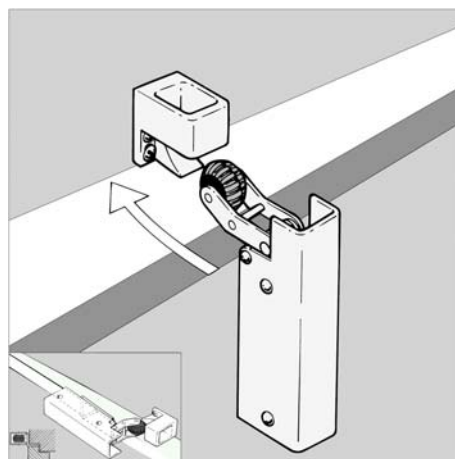
The DEDCVS2000 is easy to install due to its patented fixing systems and integrated hinged mounting plate. All fixing elements are hidden, so the hook and slimline body form an aesthetically pleasing unit.

The DEDCVS2000 door damper is mounted on the face of the door and is suitable for both left and right operating doors.

The door damper is mounted vertically in the centre of the upper door member, or horizontally using the special mounting plate which is available to order.

To make mounting easier and more reliable, special fixing plates for the hook are available, which can be welded onto narrow steel door frames. Large mounting plates are also available for thin-walled steel doors.

DEDCVS2000 model



| | | |
|-------------------|------------------------------------|--------------------|
| DEDCVS2000/80/PC | Dictator | pol. chrome plated |
| DEDCVS2000/80/B | Dictator | pol. brass plated |
| DEDCVS2000H/50/PC | Dictator - horizontal installation | pol. chrome plated |
| DEDCVS2000H/50/B | Dictator - horizontal installation | pol. brass plated |

Holding force 80N standard installation
50N horizontal installation

Other finishes and holding forces are available upon request

Please specify if installation is horizontal or vertical

| | |
|-------------------------|---|
| Types of doors | Left and right operating, overlapping, flush doors |
| Closing force | 20 N to 115 N (measured on the door damper) |
| Damping characteristics | Progressive, adjustable |
| Damping fluid | Silicone oil - independent of temperature |
| Mounting possibilities | Horizontally or vertically |
| Components included | Door damper, hook 3 small plates for the hook, screws |
| Finish | Polished chrome, other finishes available on request |
| Recommended accessories | "piccolo" or "concealed adjunct" closing spring |

| | | |
|----------------|------|--|
| CI/SfB | | |
| 31/59 | Xt 7 | |
| September 2007 | | |



D&E door dictator - dictaliob 31

The D&E door dictator is designed to be used in conjunction with a door closing device - i.e. D&E tirex, D&E spiral & D&E single action spring hinges, on doors that must remain closed in windy / adverse weather conditions.

| | | |
|-------------------|----------------------------|---------------|
| <i>DEGR311/NP</i> | dictaliob 31 door dictator | nickel plated |
| <i>DEGR311/WT</i> | dictaliob 31 door dictator | white |
| <i>DEGR311/ZP</i> | dictaliob 31 door dictator | zinc plated |

Max door weight 40Kg

Supplied complete with fixings and installation instructions.



D&E door dictator - dictaliob 33

The D&E door dictator is designed to be used in conjunction with a door closer on doors that must remain closed in windy / adverse weather conditions.

| | | |
|-------------------|----------------------------|---------------|
| <i>DEGR333/NP</i> | dictaliob 33 door dictator | nickel plated |
| <i>DEGR333/WT</i> | dictaliob 33 door dictator | white |
| <i>DEGR333/ZP</i> | dictaliob 33 door dictator | zinc plated |

Max door weight 80Kg

Supplied complete with fixings and installation instructions.

| | | |
|----------------|------|--|
| CI/SfB | | |
| 31/59 | Xt 7 | |
| September 2007 | | |



D&E door limiter with angle plate

The D&E door limiter is designed for limiting / restricting the opening of a door. Suitable for use on most inward opening aluminium, timber & PVCu , French and over rebated doors.

It is supplied complete with a hold open device and fixing screws for the slide channel only.

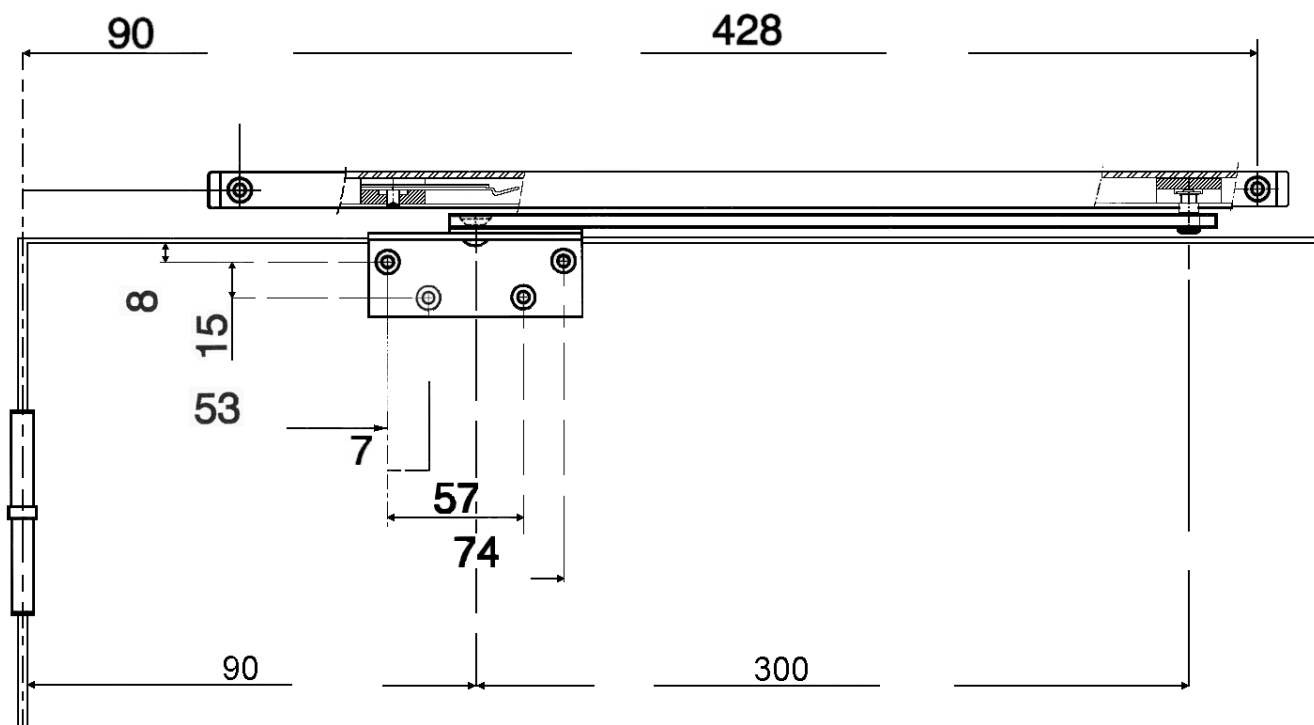
DEGR693801 door limiter silver
 DEGR69380X door limiter RAL colour
 (RAL colours may incur a setting up fee if a non-standard RAL colour is required)

Max door weight: 60Kg - depending on location / environment.

Manufactured from steel.

Installation is via fixing screws (supplied as standard)

Installation diagram



| | | |
|----------------|------|--|
| CI/SfB | | |
| 31/59 | Xt 7 | |
| September 2007 | | |



D&E door limiter with flat plate

The D&E door limiter is designed for limiting / restricting the opening of a door. Suitable for use on most outward opening aluminium, timber & PVCu , French and over rebated doors.

It is supplied complete with a hold open device and fixing screws for the slide channel only.

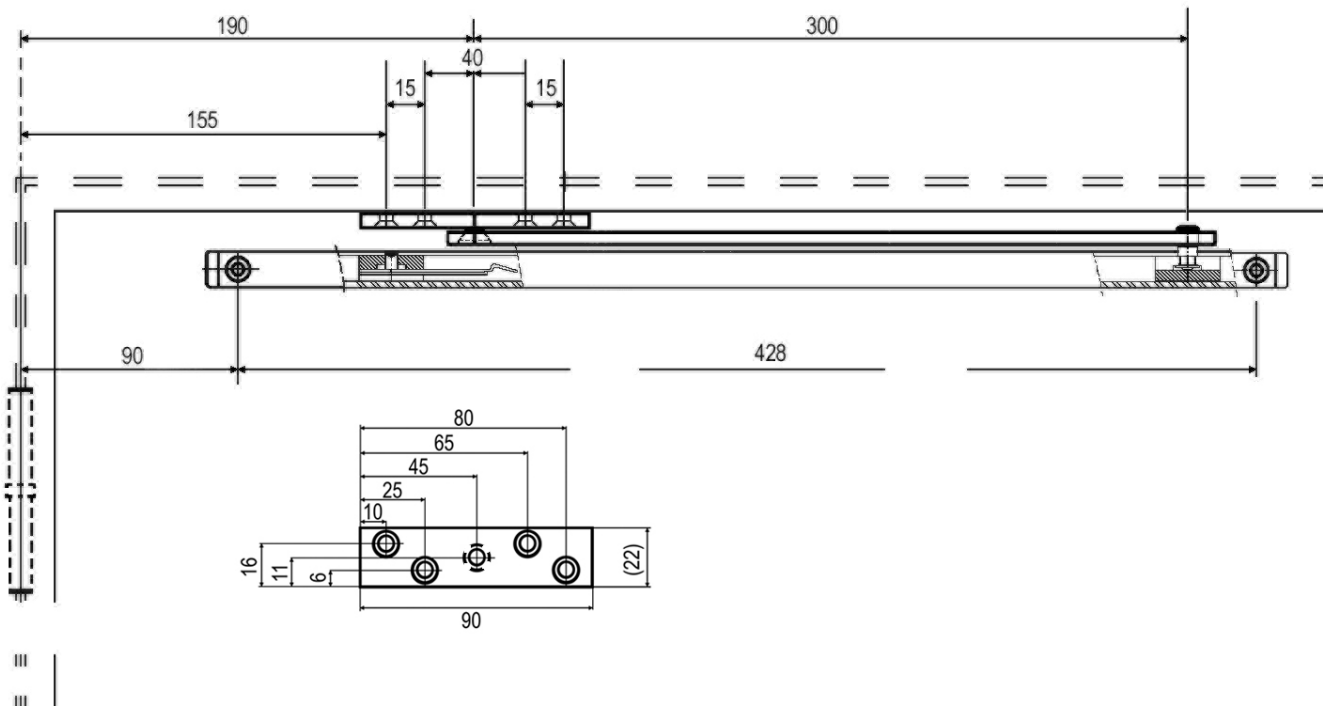
DEGR693901 door limiter silver
 DEGR69390X door limiter RAL colour
 (RAL colours may incur a setting up fee if a non-standard RAL colour is required)

Max door weight: 60Kg - depending on location / environment.

Manufactured from steel.

Installation is via fixing screws (supplied as standard)

Installation diagram



| | | |
|----------------|------|--|
| CI/SfB | | |
| 31/59 | Xt 7 | |
| September 2007 | | |



D&E door limiter

The D&E door limiter is designed for limiting / restricting the opening of a door or window. Suitable for use on timber & PVCu, French and over rebated doors and most inward & outward opening doors or windows.

DE73DS/WT door limiter white / zinc plated

Manufactured from: body: steel
pin: steel
buffer: rubber

Supplied non-handed

Installation is via fixing screws (supplied)

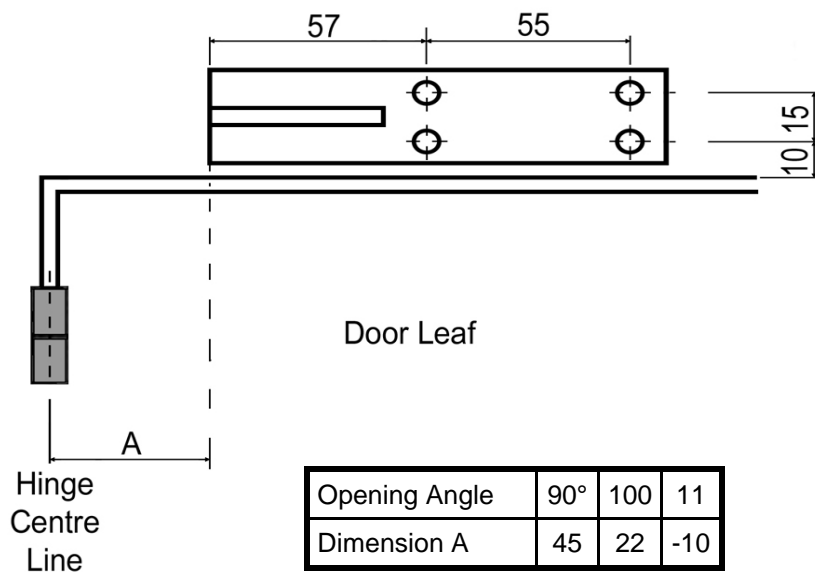
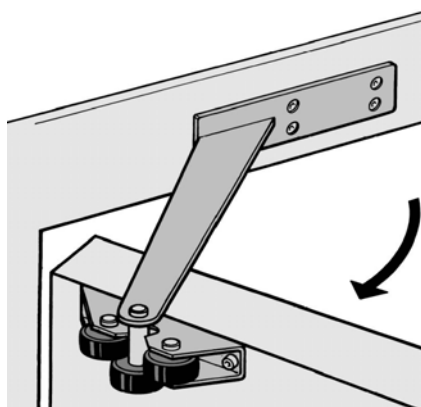


D&E door limiter hold open device

Hold open device to suit the DE73DS/WT door limiter shown above

DE77DA/WT hold open device for DE73DS/WT white

Manufactured from: body: steel
pin: steel
rollers: rubber



| | | |
|----------------|------|--|
| CI/SfB | | |
| 31/59 | Xt 7 | |
| September 2007 | | |



D&E electro-magnetic hold open devices

- DEGREMBC2072 electro-magnetic hold open device 24vdc - release button - fail safe white
- DEGREMBC2074 electro-magnetic hold open device 48vdc - release button - fail safe white

Holding force: 20 DaN

Dimensions: H x W x D 92 x 65 x 21mm

Supplied complete with a swivel receiver plate



D&E electro-magnetic hold open devices

- DEGREMBS2072 electro-magnetic hold open device 24vdc - release button - fail safe white
- DEGREMBS2074 electro-magnetic hold open device 48vdc - release button - fail safe white

Holding force: 20 DaN

Dimensions: H x W x D 85 x 70 x 43mm

Supplied complete with a swivel receiver plate



- DEGREMBS5072 electro-magnetic hold open device 24vdc - release button - fail safe white
- DEGREMBS5074 electro-magnetic hold open device 48vdc - release button - fail safe white

Holding force: 50 DaN

Dimensions: H x W x D 85 x 70 x 43mm

Supplied complete with a swivel receiver plate

| | | | |
|----------------|-------|------|--|
| CI/SfB | | | |
| | 31/59 | Xt 7 | |
| September 2007 | | | |

D&E electro-magnetic hold open devices



DEGREMER2072 electro-magnetic hold open device 24vdc - fail safe silver anodised
DEGREMER2074 electro-magnetic hold open device 48vdc - fail safe silver anodised

Holding force: 20 DaN

Diameter: 78mm

Supplied complete with a swivel receiver plate



D&E swivel receiver plate



DEGREMCA2050 swivel plate black

D&E universal wall / floor bracket



DEGREMSU2050 universal wall / floor bracket white

| | | |
|----------------|-------|------|
| CI/SfB | 31/59 | Xt 7 |
| September 2007 | | |



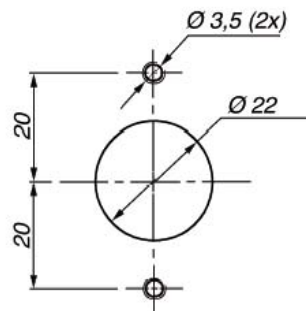
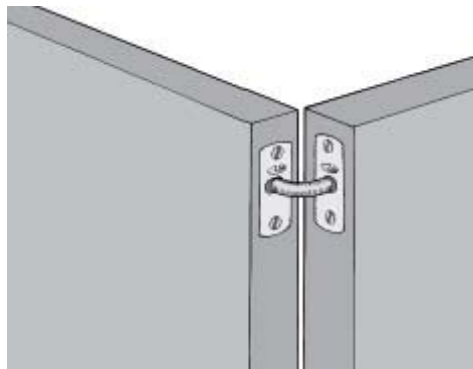
D&E frame bridge complete with return spring

Designed for concealing electrical wiring passing from door frame to leaf.

DE71KP/ZP frame bridge zinc plated

Max. cable diameter: 6mm

Return spring must be used on doors opening more than 100°



| | | |
|----------------|------|--|
| CI/SfB | | |
| 31/59 | Xt 7 | |
| September 2007 | | |



D&E scroll door knocker

| | | |
|------------|---------------------|------------------------|
| DESDK6/BK | scroll door knocker | black |
| DESDK6/EPB | scroll door knocker | electro-phoretic brass |
| DESDK6/PC | scroll door knocker | pol. chrome* |
| DESDK6/WT | scroll door knocker | white |

Dimensions: height: 155mm
body width: 35mm

* subject to quantity

Supplied complete with fixings as standard.



D&E slimline victorian urn door knocker

Available with or without a door viewer. Door viewer to suit 40mm thick doors supplied as standard with spy hole models. Extension pieces (DEC2EX12) are available to order for thicker doors.

| | | |
|-------------|-----------------------------------|------------------------|
| DESDK8/EPB | slimline door knocker | electro-phoretic brass |
| DESDKS8/EPB | slimline door knocker with viewer | electro-phoretic brass |
| DESDK8/PGP | slimline door knocker | polished gold plate* |
| DESDKS8/PGP | slimline door knocker with viewer | polished gold plate* |
| DESDK8/BK | slimline door knocker | black |
| DESDKS8/BK | slimline door knocker with viewer | black |
| DESDK8/WT | slimline door knocker | white |
| DESDKS8/WT | slimline door knocker with viewer | white |

Dimensions: height: 200mm
body width: 50mm

* subject to quantity

Supplied complete with fixings as standard.

For door viewers please go to the Secondary Security Section of this catalogue

| | | |
|-------------|------|--|
| CI/SfB | | |
| 31/59 | Xt 7 | |
| August 2011 | | |

D&E victorian urn door knockers

Available with or without a door viewer. Door viewer to suit 40mm thick doors supplied as standard with spy hole models. Extension pieces (*DEC2EX12*) are available to order for thicker doors.



| | | |
|--------------------|-------------------------------|------------------|
| <i>DEVDK6/EPB</i> | door knocker - 6" | pol. brass |
| <i>DEVDKS6/EPB</i> | door knocker with viewer - 6" | pol. brass |
| <i>DEVDK6/PGP</i> | door knocker - 6" | pol. gold plate* |
| <i>DEVDKS6/PGP</i> | door knocker with viewer - 6" | pol. gold plate* |
| <i>DEVDK6/PC</i> | door knocker - 6" | pol. chrome* |
| <i>DEVDKS6/PC</i> | door knocker with viewer - 6" | pol. chrome* |
| <i>DEVDK6/BK</i> | door knocker - 6" | black |
| <i>DEVDKS6/BK</i> | door knocker with viewer - 6" | black |
| <i>DEVDK6/WT</i> | door knocker - 6" | white |
| <i>DEVDKS6/WT</i> | door knocker with viewer - 6" | white |

Dimensions: height: 165mm
body width: 60mm

Fixing centres: 100mm

* subject to quantity

Supplied complete with fixings as standard.



| | | |
|--------------------|-------------------------------|------------------|
| <i>DEVDK8/EPB</i> | door knocker - 8" | pol. brass |
| <i>DEVDKS8/EPB</i> | door knocker with viewer - 8" | pol. brass |
| <i>DEVDK8/PGP</i> | door knocker - 8" | pol. gold plate* |
| <i>DEVDKS8/PGP</i> | door knocker with viewer - 8" | pol. gold plate* |
| <i>DEVDK8/PC</i> | door knocker - 8" | pol. chrome* |
| <i>DEVDKS8/PC</i> | door knocker with viewer - 8" | pol. chrome* |
| <i>DEVDK8/BK</i> | door knocker - 8" | black |
| <i>DEVDKS8/BK</i> | door knocker with viewer - 8" | black |
| <i>DEVDK8/WT</i> | door knocker - 8" | white |
| <i>DEVDKS8/WT</i> | door knocker with viewer - 8" | white |

Dimensions: height: 195mm
body width: 80mm

Fixing centres: 123mm

* subject to quantity

Supplied complete with fixings as standard.

| | | |
|----------------|------|--|
| CI/SfB | | |
| 31/59 | Xt 7 | |
| September 2007 | | |

D&E lions head door knocker

Manufactured from cast brass.



| | | |
|------------------|------------------------------|------------------------|
| <i>DELH4/EPB</i> | lions head door knocker - 4" | electro-phoretic brass |
| <i>DELH4/BK</i> | lions head door knocker - 4" | black |
| <i>DELH4/WT</i> | lions head door knocker - 4" | white |

Dimensions: height: 100mm
 body width: 70mm

Supplied complete with fixings as standard.

D&E lions head door knocker

Manufactured from cast brass.



| | | |
|------------------|------------------------------|------------------------|
| <i>DELH6/EPB</i> | lions head door knocker - 6" | electro-phoretic brass |
| <i>DELH6/PC</i> | lions head door knocker - 6" | pol. chrome* |
| <i>DELH6/BK</i> | lions head door knocker - 6" | black |
| <i>DELH6/WT</i> | lions head door knocker - 6" | white |

Dimensions: height: 138mm
 body width: 95mm

* subject to quantity

Supplied complete with fixings as standard.



D&E numerals

| | | |
|--------------|------------|------------------------|
| DENUM3/1/EPB | number '1' | electro-phoretic brass |
| DENUM3/2/EPB | number '2' | electro-phoretic brass |
| DENUM3/3/EPB | number '3' | electro-phoretic brass |
| DENUM3/4/EPB | number '4' | electro-phoretic brass |
| DENUM3/5/EPB | number '5' | electro-phoretic brass |
| DENUM3/6/EPB | number '6' | electro-phoretic brass |
| DENUM3/7/EPB | number '7' | electro-phoretic brass |
| DENUM3/8/EPB | number '8' | electro-phoretic brass |
| DENUM3/9/EPB | number '9' | electro-phoretic brass |
| DENUM3/0/EPB | number '0' | electro-phoretic brass |

| | | |
|--------------|------------|------------------|
| DENUM3/1/PGP | number '1' | pol. gold plate* |
| DENUM3/2/PGP | number '2' | pol. gold plate* |
| DENUM3/3/PGP | number '3' | pol. gold plate* |
| DENUM3/4/PGP | number '4' | pol. gold plate* |
| DENUM3/5/PGP | number '5' | pol. gold plate* |
| DENUM3/6/PGP | number '6' | pol. gold plate* |
| DENUM3/7/PGP | number '7' | pol. gold plate* |
| DENUM3/8/PGP | number '8' | pol. gold plate* |
| DENUM3/9/PGP | number '9' | pol. gold plate* |
| DENUM3/0/PGP | number '0' | pol. gold plate* |

| | | |
|-------------|------------|--------------|
| DENUM3/1/PC | number '1' | pol. chrome* |
| DENUM3/2/PC | number '2' | pol. chrome* |
| DENUM3/3/PC | number '3' | pol. chrome* |
| DENUM3/4/PC | number '4' | pol. chrome* |
| DENUM3/5/PC | number '5' | pol. chrome* |
| DENUM3/6/PC | number '6' | pol. chrome* |
| DENUM3/7/PC | number '7' | pol. chrome* |
| DENUM3/8/PC | number '8' | pol. chrome* |
| DENUM3/9/PC | number '9' | pol. chrome* |
| DENUM3/0/PC | number '0' | pol. chrome* |

| | | |
|-------------|------------|-------|
| DENUM3/1/BK | number '1' | black |
| DENUM3/2/BK | number '2' | black |
| DENUM3/3/BK | number '3' | black |
| DENUM3/4/BK | number '4' | black |
| DENUM3/5/BK | number '5' | black |
| DENUM3/6/BK | number '6' | black |
| DENUM3/7/BK | number '7' | black |
| DENUM3/8/BK | number '8' | black |
| DENUM3/9/BK | number '9' | black |
| DENUM3/0/BK | number '0' | black |

Manufactured from cast brass.

Dimensions: height: 80mm

* subject to quantity

4" stainless steel letters & 6" stainless steel numerals are available from our KWS range.



D&E letters - 3"

| | | |
|--------------|------------|------------------------|
| DELET3/A/EPB | letter 'A' | electro-phoretic brass |
| DELET3/B/EPB | letter 'B' | electro-phoretic brass |
| DELET3/C/EPB | letter 'C' | electro-phoretic brass |

**Letters 'D to Z' are available
in electro-phoretic brass to special order**

| | | |
|--------------|------------|------------------|
| DELET3/A/PGP | letter 'A' | pol. gold plate* |
| DELET3/B/PGP | letter 'B' | pol. gold plate* |
| DELET3/C/PGP | letter 'C' | pol. gold plate* |

| | | |
|-------------|------------|--------------|
| DELET3/A/PC | letter 'A' | pol. chrome* |
| DELET3/B/PC | letter 'B' | pol. chrome* |
| DELET3/C/PC | letter 'C' | pol. chrome* |

| | | |
|-------------|------------|-------|
| DELET3/A/BK | letter 'A' | black |
| DELET3/B/BK | letter 'B' | black |
| DELET3/C/BK | letter 'C' | black |

Manufactured from cast brass.

Dimensions: height 80mm

* subject to quantity

**4" stainless steel letters &
6" stainless steel numerals are available from our KWS range.**



D&E Stratus 220 Range.

Supplied unsprung as standard - spring cassettes are available to order.

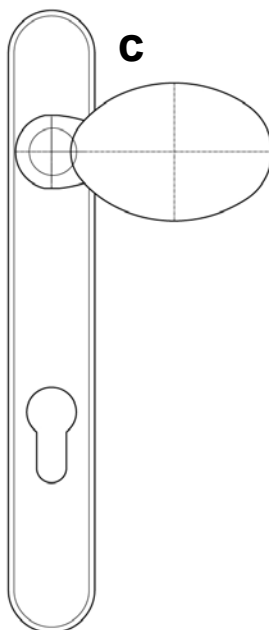
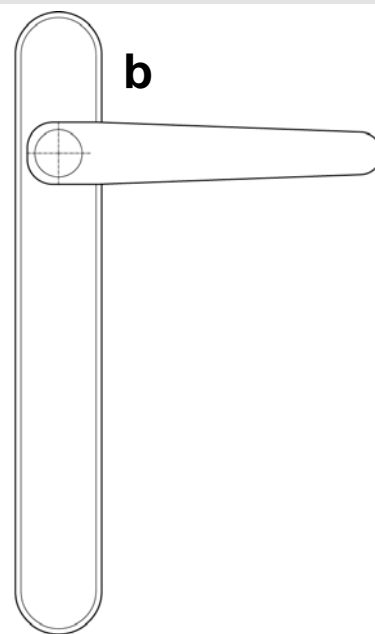
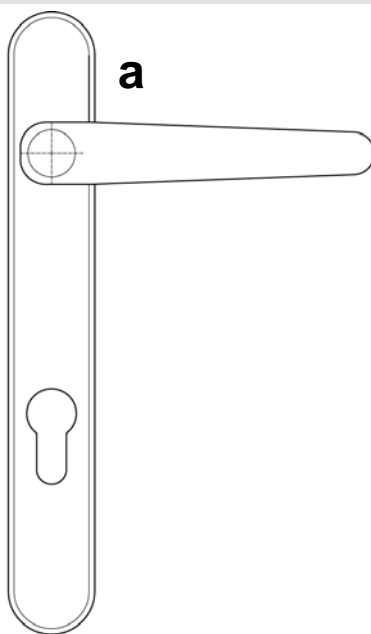
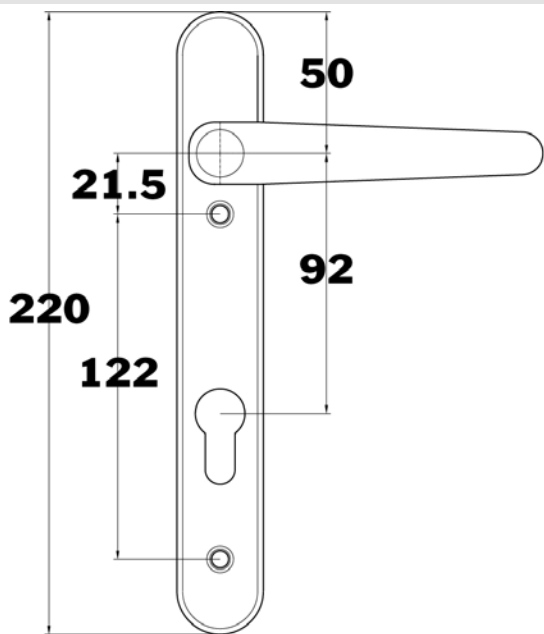
| | | |
|-------------------|----------------------------|--------------|
| DEHDL60011/92/WT | lever / lever - 92mm | white |
| DEHDL62011/92/PC | lever / lever - 92mm | pol. chrome |
| DEHDL65011/92/BK | lever / lever - 92mm | black |
| DEHDL68011/92/PVD | lever / lever - 92mm | pvd brass |
| DEHDL69011/92/EPB | lever / lever - 92mm | brass plated |
| DEHDL60012/92/WT | lever / turn pad - 92mm | white |
| DEHDL62012/92/PC | lever / turn pad - 92mm | pol. chrome |
| DEHDL65012/92/BK | lever / turn pad - 92mm | black |
| DEHDL68012/92/PVD | lever / turn pad - 92mm | pvd brass |
| DEHDL69012/92/EPB | lever / turn pad - 92mm | brass plated |
| DEHDL60013/92/WT | lever / dummy lever - 92mm | white |
| DEHDL62013/92/PC | lever / dummy lever - 92mm | pol. chrome |
| DEHDL65013/92/BK | lever / dummy lever - 92mm | black |
| DEHDL68013/92/PVD | lever / dummy lever - 92mm | pvd brass |
| DEHDL69013/92/EPB | lever / dummy lever - 92mm | brass plated |
| DEHDL60014/92/WT | lever / blank plate - 92mm | white |
| DEHDL62014/92/PC | lever / blank plate - 92mm | pol. chrome |
| DEHDL65014/92/BK | lever / blank plate - 92mm | black |
| DEHDL68014/92/PVD | lever / blank plate - 92mm | pvd brass |
| DEHDL69014/92/EPB | lever / blank plate - 92mm | brass plated |

DEHDL79995 Stratus spring cartridge - 2 required per handle set

Fixing lugs on both backplates allow additional support to the fixings.

| | | |
|---------------------|----------------------------|------------------------|
| Dimensions: | see line drawings overleaf | |
| Spindle diameter: | 8mm | |
| Fixing screws: | M5 | |
| Max door thickness: | 70mm | |
| Manufactured from: | backplate | zinc (zamac 3) BS1004A |
| | lever / pad handle | zinc (zamac 3) BS1004A |

**Suitable for use with
GU Ferco & Maco
multi-point locks**



- | Internal | External |
|----------|---|
| Lever | a - inline lever handle |
| Lever | b - inline lever handle - no cylinder hole |
| Lever | c - inline turn pad |
| Lever | d - blank plate |



D&E Stratus 240 Range.

Supplied unsprung as standard - spring cassettes are available to order.

| | | |
|-------------------|--|--------------|
| DEHDL60511/92/WT | lever / lever - 92mm | white |
| DEHDL62511/92/PC | lever / lever - 92mm | pol. chrome |
| DEHDL65511/92/BK | lever / lever - 92mm | black |
| DEHDL68511/92/PVD | lever / lever - 92mm | pvd brass |
| DEHDL69511/92/EPB | lever / lever - 92mm | brass plated |
| DEHDL60512/92/WT | lever / turn pad - 92mm | white |
| DEHDL62512/92/PC | lever / turn pad - 92mm | pol. chrome |
| DEHDL65512/92/BK | lever / turn pad - 92mm | black |
| DEHDL68512/92/PVD | lever / turn pad - 92mm | pvd brass |
| DEHDL69512/92/EPB | lever / turn pad - 92mm | brass plated |
| DEHDL60513/92/WT | lever / dummy lever - 92mm | white |
| DEHDL62513/92/PC | lever / dummy lever - 92mm | pol. chrome |
| DEHDL65513/92/BK | lever / dummy lever - 92mm | black |
| DEHDL68513/92/PVD | lever / dummy lever - 92mm | pvd brass |
| DEHDL69513/92/EPB | lever / dummy lever - 92mm | brass plated |
| DEHDL60514/92/WT | lever / blank plate - 92mm | white |
| DEHDL62514/92/PC | lever / blank plate - 92mm | pol. chrome |
| DEHDL65514/92/BK | lever / blank plate - 92mm | black |
| DEHDL68514/92/PVD | lever / blank plate - 92mm | pvd brass |
| DEHDL69514/92/EPB | lever / blank plate - 92mm | brass plated |
| DEHDL60531/92/WT | lever / offset lever - 92 / 62mm | white |
| DEHDL62531/92/PC | lever / offset lever - 92 / 62mm | pol. chrome |
| DEHDL65531/92/BK | lever / offset lever - 92 / 62mm | black |
| DEHDL68531/92/PVD | lever / offset lever - 92 / 62mm | pvd brass |
| DEHDL69531/92/EPB | lever / offset lever - 92 / 62mm | brass plated |
| DEHDL60532/92/WT | lever / offset turn pad - 92 / 62mm | white |
| DEHDL62532/92/PC | lever / offset turn pad - 92 / 62mm | pol. chrome |
| DEHDL65532/92/BK | lever / offset turn pad - 92 / 62mm | black |
| DEHDL68532/92/PVD | lever / offset turn pad - 92 / 62mm | pvd brass |
| DEHDL69532/92/EPB | lever / offset turn pad - 92 / 62mm | brass plated |
| DEHDL79995 | Stratus spring cartridge - 2 required per handle set | |

Fixing lugs on both backplates allow additional support to the fixings.

Dimensions: see line drawings overleaf

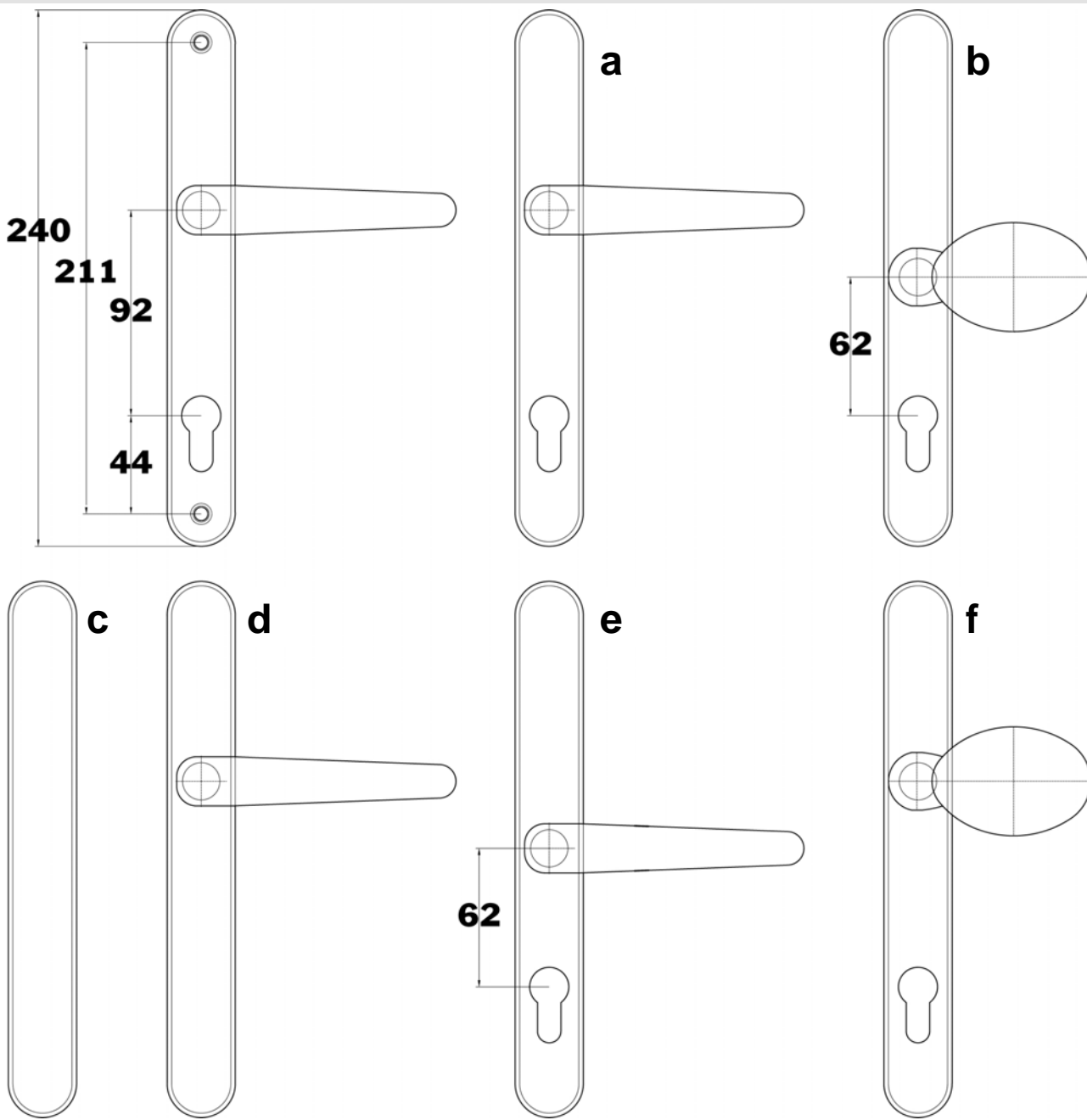
Spindle diameter: 8mm

Fixing screws: M5

Max door thickness: 70mm

Manufactured from: backplate zinc (zamac 3) BS1004A
lever / pad handle zinc (zamac 3) BS1004A

**Suitable for use with
Lockmaster & Mila
multi-point locks**



Internal

External

- Lever **a** - inline lever handle
- Lever **b** - offset turn pad
- Lever **c** - blank plate
- Lever **d** - inline lever handle - no cylinder hole
- Lever **e** - offset lever handle
- Lever **f** - inline turn pad

| | | |
|----------------|------|--|
| CI/SfB | | |
| 31/59 | Xt 7 | |
| September 2007 | | |

London - lever handle set is supplied sprung as standard.



| | | |
|---------------------------|----------------------|-----------------|
| <i>DEHDL80311B/92/WT</i> | lever / lever - 92mm | white |
| <i>DEHDL81311B/92/SI</i> | lever / lever - 92mm | silver anodised |
| <i>DEHDL85311B/92/BK</i> | lever / lever - 92mm | black |
| <i>DEHDL89311B/92/GAA</i> | lever / lever - 92mm | gold anodised |

| | | |
|---------------------------|-------------------------------------|-----------------|
| <i>DEHDL80312B/92/WT</i> | lever / offset turn pad - 92 / 62mm | white |
| <i>DEHDL81312B/92/PC</i> | lever / offset turn pad - 92 / 62mm | silver anodised |
| <i>DEHDL85312B/92/BK</i> | lever / offset turn pad - 92 / 62mm | black |
| <i>DEHDL89312B/92/GAA</i> | lever / offset turn pad - 92 / 62mm | gold anodised |

Offset models are designed for use with a split spindle on nightlatch multi-point locks - see below.

Fixing lugs on both backplates allow additional support to the fixings.

Dimensions: see line drawings overleaf

Spindle diameter: 8mm

Fixing screws: M5

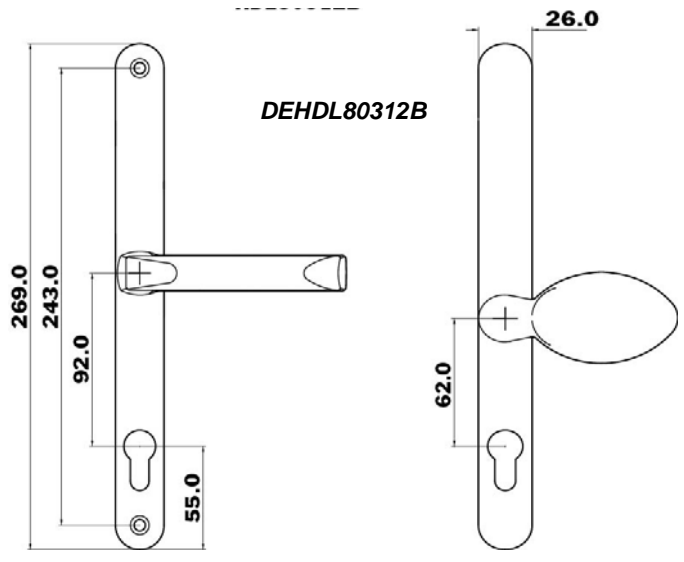
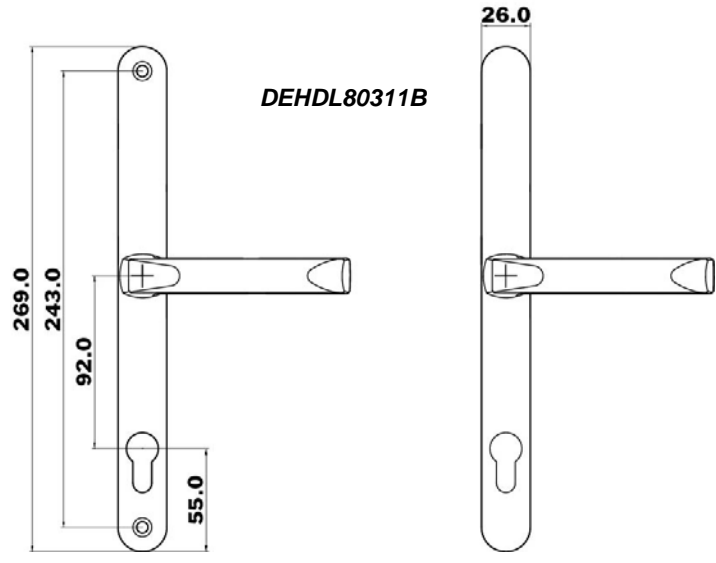
Max door thickness: 70mm

Manufactured from: backplate zinc (zamac 3) BS1004A
 lever / pad handle zinc (zamac 3) BS1004A



**Suitable for use with
 Lockmaster & Mila
 multi-point locks**

| | | |
|----------------|-------|------|
| CI/SfB | 31/59 | Xt 7 |
| September 2007 | | |





Tokyo - unsprung lever handle set is manufactured from aluminium with a stainless steel under-construction.

| | | |
|---------------------------|-------------------------|-----------------|
| <i>DEHDL80011E/92/WT</i> | lever / lever - 92mm | white |
| <i>DEHDL81011E/92/SI</i> | lever / lever - 92mm | silver anodised |
| <i>DEHDL85011E/92/BK</i> | lever / lever - 92mm | black |
| <i>DEHDL89011E/92/GAA</i> | lever / lever - 92mm | gold anodised |
| <i>DEHDL80012E/92/WT</i> | lever / turn pad - 92mm | white |
| <i>DEHDL81012E/92/PC</i> | lever / turn pad - 92mm | silver anodised |
| <i>DEHDL85012E/92/BK</i> | lever / turn pad - 92mm | black |
| <i>DEHDL89012E/92/GAA</i> | lever / turn pad - 92mm | gold anodised |

Nightlatch multi-point locks are designed for use with a split spindle.

Fixing lugs on both backplates allow additional support to the fixings.

Dimensions: see line drawings overleaf

Spindle diameter: 8mm

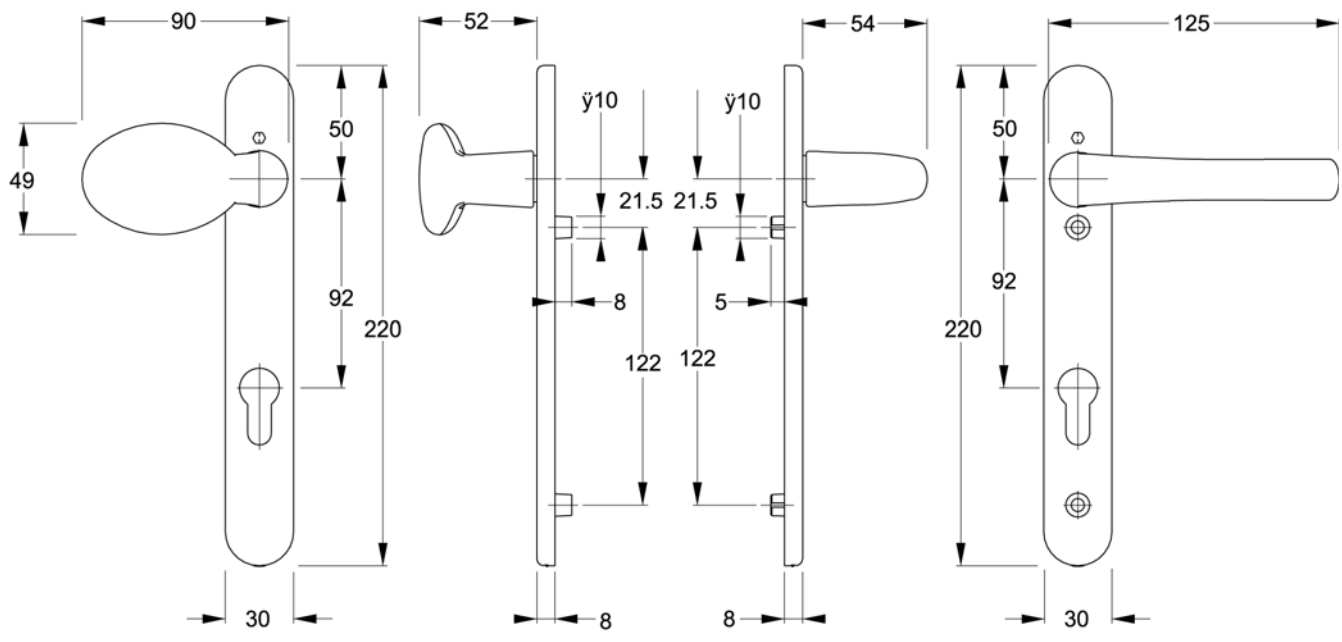
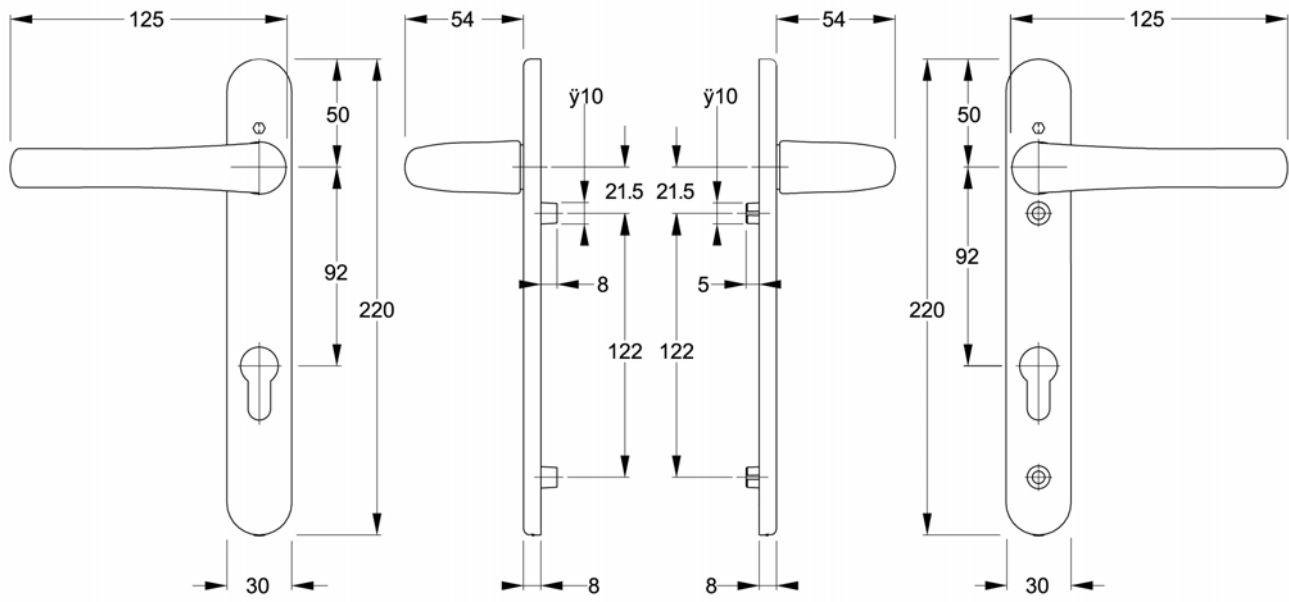
Fixing screws: M5

Max door thickness: 70mm



**Suitable for use with
GU Ferco & Maco
multi-point locks**

| | | |
|----------------|------|--|
| CI/SfB | | |
| 31/59 | Xt 7 | |
| September 2007 | | |





Advantage Tokyo - sprung lever handle set is manufactured from high grade cast aluminium.

Inline range - unsprung

| | | |
|--------------------|--|-----------------|
| DEHDL80511C/92/WT | lever / lever - 92mm | white |
| DEHDL81511C/92/SI | lever / lever - 92mm | silver anodised |
| DEHDL85511C/92/BK | lever / lever - 92mm | black |
| DEHDL89511C/92/GAA | lever / lever - 92mm | gold anodised |
| DEHDL80512C/92/WT | lever / turn pad - 92mm | white |
| DEHDL81512C/92/PC | lever / turn pad - 92mm | silver anodised |
| DEHDL85512C/92/BK | lever / turn pad - 92mm | black |
| DEHDL89512C/92/GAA | lever / turn pad - 92mm | gold anodised |
| DEHDL79995 | spring cartridge - 2 required per handle set | |

Offset range - sprung

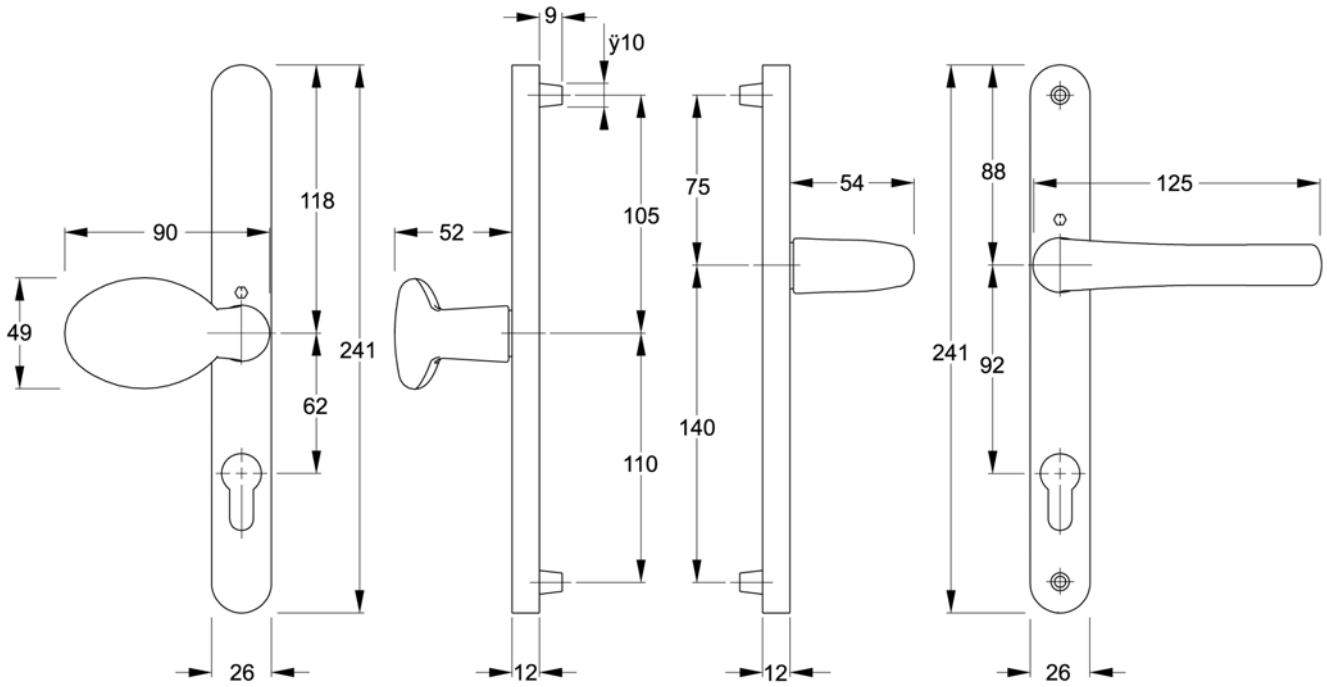
| | | |
|--------------------|--|-----------------|
| DEHDL80522C/92/WT | lever + snib / offset turn pad - 92 / 62mm | white |
| DEHDL81522C/92/PC | lever + snib / offset turn pad - 92 / 62mm | silver anodised |
| DEHDL85522C/92/BK | lever + snib / offset turn pad - 92 / 62mm | black |
| DEHDL89522C/92/GAA | lever + snib / offset turn pad - 92 / 62mm | gold anodised |
| DEHDL80531C/92/WT | lever / offset lever - 92 / 62mm | white |
| DEHDL81531C/92/SI | lever / offset lever - 92 / 62mm | silver anodised |
| DEHDL85531C/92/BK | lever / offset lever - 92 / 62mm | black |
| DEHDL89531C/92/GAA | lever / offset lever - 92 / 62mm | gold anodised |
| DEHDL80532C/92/WT | lever / offset turn pad - 92 / 62mm | white |
| DEHDL81532C/92/PC | lever / offset turn pad - 92 / 62mm | silver anodised |
| DEHDL85532C/92/BK | lever / offset turn pad - 92 / 62mm | black |
| DEHDL89532C/92/GAA | lever / offset turn pad - 92 / 62mm | gold anodised |

Fixing lugs on both backplates allow additional support to the fixings.

| | |
|---------------------|----------------------------|
| Dimensions: | see line drawings overleaf |
| Spindle diameter: | 8mm |
| Fixing screws: | M5 |
| Max door thickness: | 70mm |

**Suitable for use with
Lockmaster & Mila
multi-point locks**

| | | |
|----------------|-------|------|
| CI/SfB | 31/59 | Xt 7 |
| September 2007 | | |



| | | |
|----------------|------|--|
| CI/SfB | | |
| 31/59 | Xt 7 | |
| September 2007 | | |



D&E Extended lever range

Extended lever handle set is designed for use by the disabled and the elderly. The longer levers give greater leverage and reduce the amount of effort required to operate the door lock

Inline range - unsprung

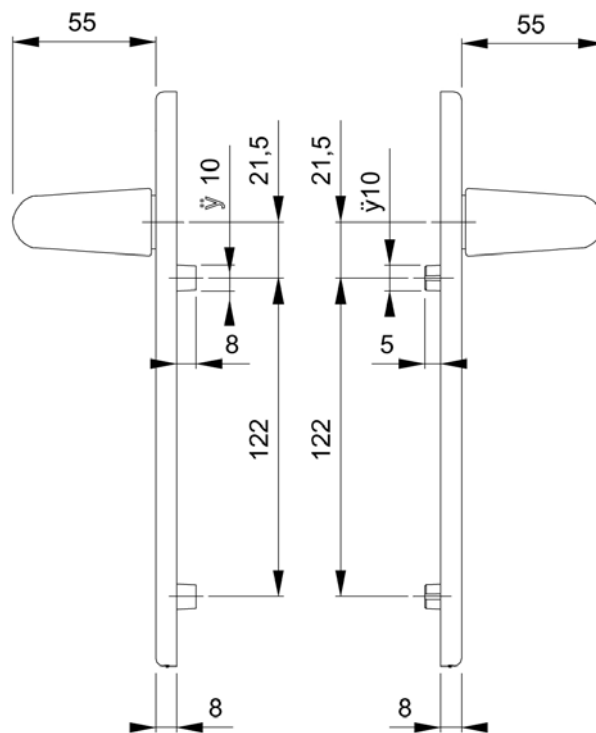
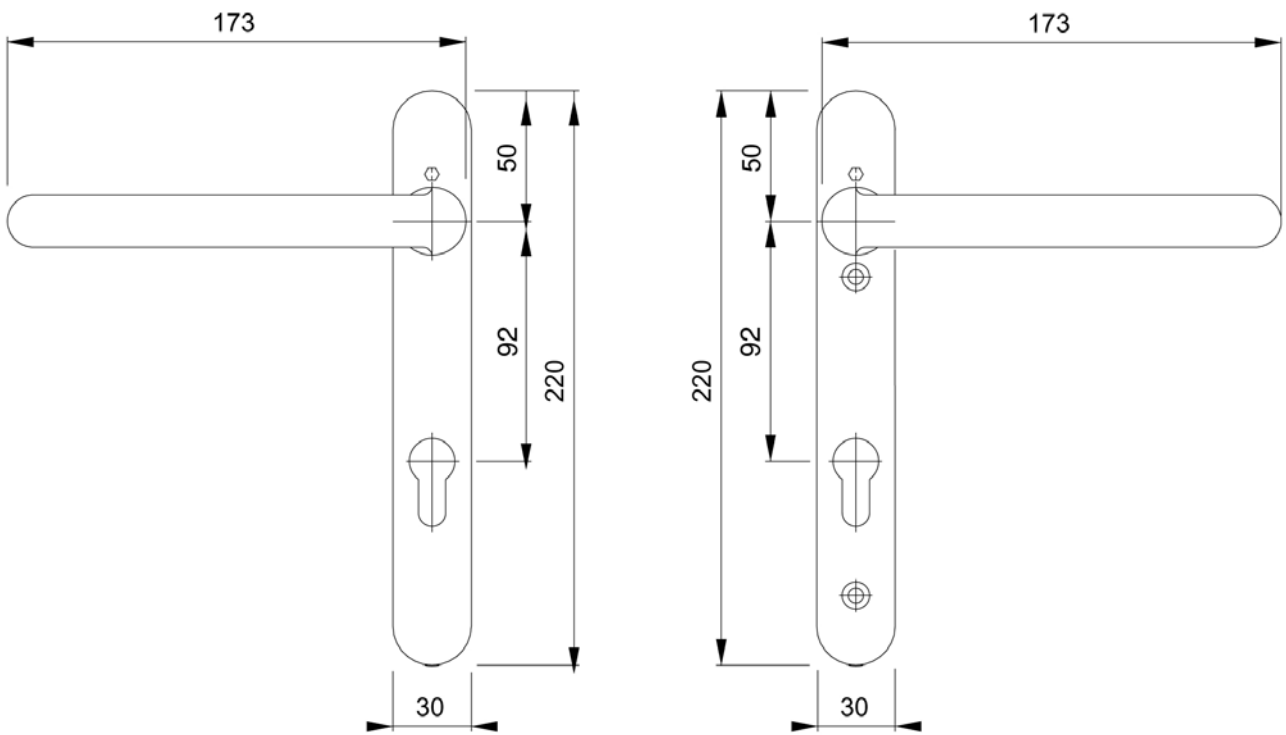
| | | |
|--------------------------|--------------------------------|-----------------|
| <i>DEHDL80031/92/WT</i> | ext. lever / ext. lever - 92mm | white |
| <i>DEHDL81031/92/SI</i> | ext. lever / ext. lever - 92mm | silver anodised |
| <i>DEHDL85031/92/BK</i> | ext. lever / ext. lever - 92mm | black |
| <i>DEHDL89031/92/GAA</i> | ext. lever / ext. lever - 92mm | gold anodised |

Fixing lugs on both backplates allow additional support to the fixings.

| | |
|---------------------|----------------------------|
| Dimensions: | see line drawings overleaf |
| Spindle diameter: | 8mm |
| Fixing screws: | M5 |
| Max door thickness: | 70mm |



| | | |
|----------------|------|--|
| CI/SfB | | |
| 31/59 | Xt 7 | |
| September 2007 | | |



D&E Stratus sliding door furniture.

Patio door handle and cylinder operation on both sides:

| | | |
|-------------------|---------------------|-------------|
| DEWPL40010/92/WT | patio handle - 92mm | white |
| DEWPL40015/92/BK | patio handle - 92mm | black |
| DEWPL40012/92/PC | patio handle - 92mm | pol. chrome |
| DEWPL40019/92/PVD | patio handle - 92mm | pvd brass |

Patio door handle both sides, cylinder operation on one side:

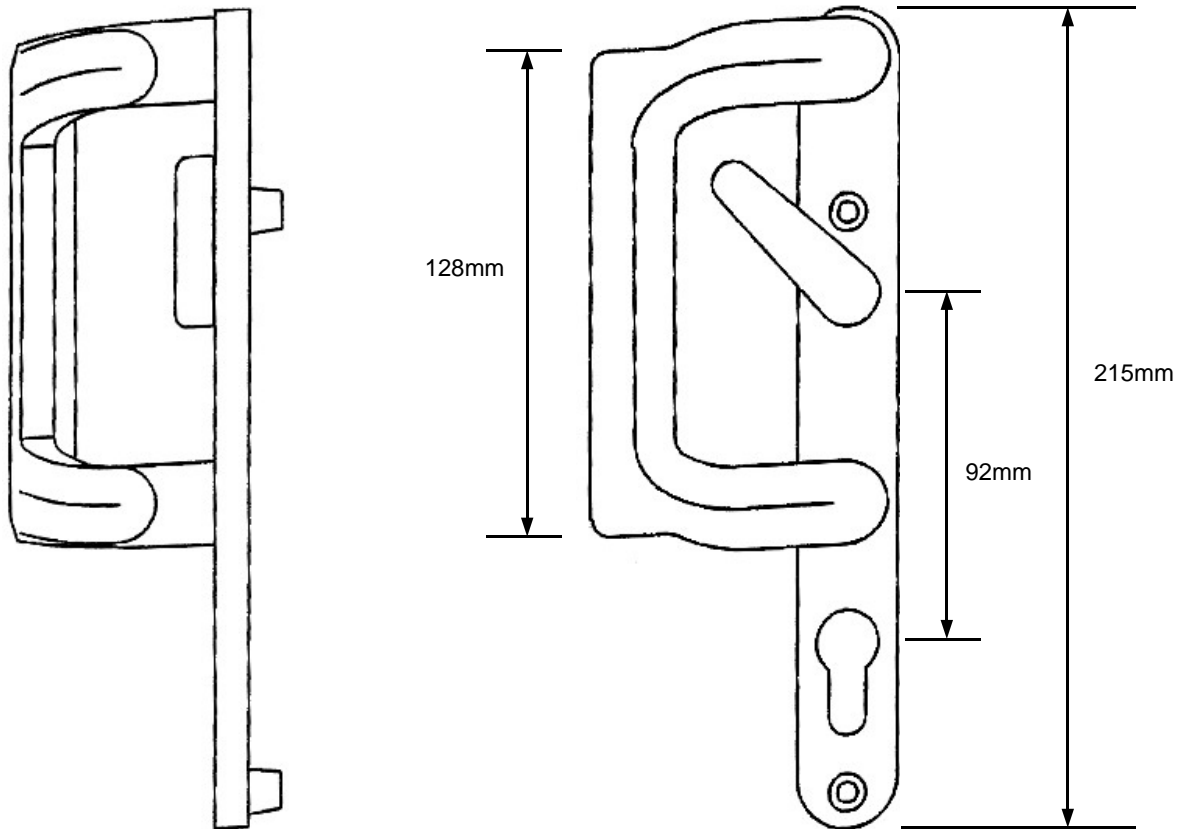
| | | |
|--------------------|-----------------------------|--------------|
| DEWPL40020/92/WT | patio handle / dummy - 92mm | white |
| DEWPL40025/ 92/ BK | patio handle / dummy - 92mm | black |
| DEWPL40022/92/PC | patio handle / dummy - 92mm | pol. chrome |
| DEWPL40029/92/EPB | patio handle / dummy - 92mm | brass plated |

Fixing lugs on both backplates allow additional support to the fixings.

| | |
|---------------------|----------------------------|
| Dimensions: | see line drawings overleaf |
| Spindle diameter: | 7mm |
| Fixing screws: | M5 |
| Max door thickness: | 45mm |



| | | |
|----------------|-------|------|
| CI/SfB | 31/59 | Xt 7 |
| September 2007 | | |



Left hand model as viewed from the inside

| | | |
|----------------|-------|------|
| CI/SfB | 31/59 | Xt 7 |
| September 2007 | | |



D&E hook spindle - DESP5001/65

For use on applications where a lever is installed on one side of the door only. The hook is secured by tightening the grub screw located down the centre of the spindle.

DESP5001/65 hook spindle - 65mm

Door thickness: 50 - 55mm
Diameter: 8mm

Supplied complete with allen key.

Suitable for use with any D&E lockcase with an 8mm through follower.



D&E half spindle - PVCu handles

For use with PVCu handles with a bolt through fixing - lever / offset lever or pad.

DESP5011/55 half spindle - 55mm

DESP5011/65 half spindle - 65mm

DESP5011/75 half spindle - 75mm

Diameter: 8mm

Supplied complete with allen key.

Suitable for use with any D&E lockcase with an 8mm through follower.

| | | |
|----------------|-------|------|
| CI/SfB | 31/59 | Xt 7 |
| September 2007 | | |

D&E split spindle

For use on applications where anti-panic locks with a 8mm split follower are installed.



DESP5002/100 8mm split spindle - 50 / 50mm

DESP5003/100 9mm split spindle - 50 / 50mm

Door thickness: 54mm

D&E split spindle - PVCu handles

For use with PVCu handles with a bolt through fixing - lever / lever or pad.

Primarily for use on nightlatch multi-point locks.



DESP5004/120 8mm split spindle - 55 / 65mm

Door thickness: 70mm

D&E pitts mortice spindle

For use on applications where a set of levers or knob furniture is used which rely on the rose or backplate fixings to secure them to the door.

This spindle is highly recommended for use on handles for PVCu and Aluminium applications.



DESP5005/150 5mm pitts mortice spindle - 150mm

DESP5007/150 7mm pitts mortice spindle - 150mm

DESP5008/150 8mm pitts mortice spindle - 150mm

All above D&E Pitts mortice spindles will suit a door thickness up to 90mm

D&E spindle sleeve range.



DERBSL58 spindle sleeve 5mm up to 8mm
DERBSL67 spindle sleeve 6mm up to 7mm
DERBSL68 spindle sleeve 6mm up to 8mm
DERBSL78 spindle sleeve 7mm up to 8mm
DERBSL89 spindle sleeve 8mm up to 9mm

Dimensions: 15mm standard length

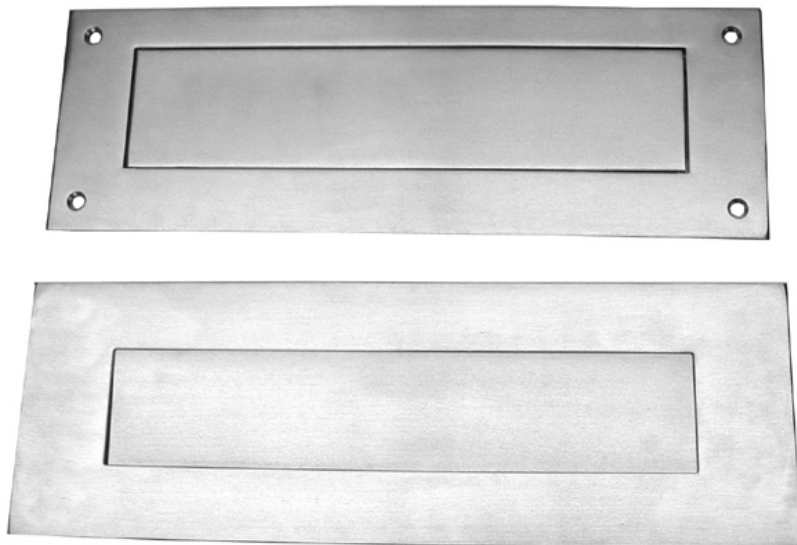
Packaging: each

DERBSL67/1 spindle sleeve 6mm up to 7mm
DERBSL68/1 spindle sleeve 6mm up to 8mm
DERBSL78/1 spindle sleeve 7mm up to 8mm

Dimensions: 1 metre length

Packaging: each

| | | |
|----------------|-------|------|
| CI/SfB | 31/59 | Xt 7 |
| September 2007 | | |



D&E stainless steel commercial letter plate set.

The D&E commercial letter plate set has a sprung outer flap & gravity inner flap. Suitable for both internal and external use. Concealed fixing on outer flap.

| | | |
|--------------------------|-----------------------------|----------------------|
| <i>DEDFP9000/SET/SSS</i> | commercial letter plate set | sat. stainless steel |
| <i>DEDFP9000/SET/PSS</i> | commercial letter plate set | pol. Stainless steel |

Frame dimensions: 330 x 110mm

Aperture dimensions: 260 x 65mm

Door thickness: up to 60mm with the fixings supplied

Packaging: 1 set

| | | |
|----------------|-------|------|
| CI/SfB | 31/59 | Xt 7 |
| September 2007 | | |



D&E letter plate flap.

The D&E sprung letter plate flaps are fitted with an external use flap seal and brush seal draught excluder. Suitable for both internal and external use. Concealed fixing

| | |
|--------------------|--------------------------------------|
| <i>DEP201S/F1</i> | silver frame / silver (F1) flap |
| <i>DEP201G/F3</i> | gold frame / gold anodised (F3) flap |
| <i>DEP201W/WT</i> | white frame / white flap |
| <i>DEP201PC/PC</i> | pol. Chrome frame / pol. Chrome flap |

Frame dimensions: 292 x 76mm

Aperture dimensions: 254 x 38mm

Packaging: 1 / 20 pcs

| | | |
|----------------|-------|------|
| CI/SfB | 31/59 | Xt 7 |
| September 2007 | | |



D&E 'Firemaster' 12" sprung all aluminium combination letter plate.

The DEP207 'Firemaster' provides in excess of 30 minutes integrity. Construction is aluminium frame & flap range of letter plates are fitted with an external flap seal and an internal brush draught excluder. Concealed fixing.
Tested to BS476 PT 20/22

To suit door thickness: 20 to 40mm

| | |
|---------------|---|
| DEP207/24/F1 | silver anodised (F1) frame & flap |
| DEP207/24/F1P | pol. silver anodised (F1P) frame & flap |
| DEP207/24/F3P | pol. gold anodised (F3P) frame & flap |
| DEP207/24/W | white frame & flap |
| DEP207/24/B | black frame & flap |

To suit door thickness: 40 to 80mm

| | |
|---------------|---|
| DEP207/48/F1 | silver anodised (F1) frame & flap |
| DEP207/48/F1P | pol. silver anodised (F1P) frame & flap |
| DEP207/48/F3P | pol. gold anodised (F3P) frame & flap |
| DEP207/48/W | white frame & flap |
| DEP207/48/B | black frame & flap |

Frame dimensions: 296 x 66mm

Aperture dimensions: 254 x 38mm

Packaging: 1 / 40 pcs

| | | |
|----------------|-------|------|
| CI/SfB | 31/59 | Xt 7 |
| September 2007 | | |



D&E 12" sprung all aluminium combination letter plate.

The DEP209 aluminium frame & flap range of letter plates are fitted with an external flap seal and an internal brush draught excluder. Concealed fixing. Tested to BS2911

To suit door thickness: 20 to 40mm

| | |
|---------------|---|
| DEP209/24/F1 | silver anodised (F1) frame & flap |
| DEP209/24/F1P | pol. silver anodised (F1P) frame & flap |
| DEP209/24/F3P | pol. gold anodised (F3P) frame & flap |
| DEP209/24/W | white frame & flap |
| DEP209/24/B | black frame & flap |

To suit door thickness: 40 to 80mm

| | |
|---------------|---|
| DEP209/48/F1 | silver anodised (F1) frame & flap |
| DEP209/48/F1P | pol. silver anodised (F1P) frame & flap |
| DEP209/48/F3P | pol. gold anodised (F3P) frame & flap |
| DEP209/48/W | white frame & flap |
| DEP209/48/B | black frame & flap |

Frame dimensions: 296 x 66mm

Aperture dimensions: 254 x 38mm

Packaging: 1 / 40 pcs

D&E combination letter plates - 12"

| | | |
|----------------|-------|------|
| CI/SfB | 31/59 | Xt 7 |
| September 2007 | | |



D&E 12" sprung combination letter plate.

The D&E letter plates are fitted with an external flap seal and an internal brush draught excluder. Concealed fixing. Tested to BS2911

To suit door thickness: 20 to 40mm

DEP202G/24/F3
DEP202G/24/PB

gold frame / gold anodised (F3) flap
gold frame / pol. brass flap

To suit door thickness: 40 to 80mm

DEP202G/48/F3
DEP202G/48/PB

gold frame / gold anodised (F3) flap
gold frame / pol. brass flap

Frame dimensions: 296 x 66mm

Aperture dimensions: 254 x 38mm

Packaging: 1 / 40 pcs

| | | |
|----------------|------|--|
| CI/SfB | | |
| 31/59 | Xt 7 | |
| September 2007 | | |



D&E 12" sprung combination letter plate.

The D&E letter plates are fitted with an external flap seal and an internal brush draught excluder. Concealed fixing. Tested to BS2911

To suit door thickness: 20 to 40mm

| | |
|----------------|---|
| DEP204B/24/F1 | black frame / silver anodised (F1) flap |
| DEP204B/24/F3 | black frame / gold anodised (F3) flap |
| DEP204B/24/F3P | black frame / polished gold anodised (F3P) flap |
| DEP204B/24/W | black frame / white flap |
| DEP204B/24/B | black frame / black flap |
| DEP212B/24/PB | black frame / polished brass flap |
| DEP212B/24/PC | black frame / polished chrome flap |

To suit door thickness: 40 to 80mm

| | |
|----------------|---|
| DEP204B/48/F1 | black frame / silver anodised (F1) flap |
| DEP204B/48/F3 | black frame / gold anodised (F3) flap |
| DEP204B/48/F3P | black frame / polished gold anodised (F3P) flap |
| DEP204B/48/W | black frame / white flap |
| DEP204B/48/B | black frame / black flap |
| DEP212B/48/PB | black frame / polished brass flap |
| DEP212B/48/PC | black frame / polished chrome flap |

Frame dimensions: 296 x 66mm

Aperture dimensions: 254 x 38mm

Packaging: 1 / 40 pcs



D&E 12" sprung combination letter plate.

The D&E letter plates are fitted with an external flap seal and an internal brush draught excluder. Concealed fixing. Tested to BS2911

To suit door thickness: 20 to 40mm

| | |
|----------------|---|
| DEP204W/24/F1 | white frame / silver anodised (F1) flap |
| DEP204W/24/F3 | white frame / gold anodised (F3) flap |
| DEP204W/24/F3P | white frame / polished gold anodised (F3P) flap |
| DEP204W/24/W | white frame / white flap |
| DEP212W/24/PC | white frame / polished chrome flap |

To suit door thickness: 40 to 80mm

| | |
|----------------|---|
| DEP204W/48/F1 | white frame / silver anodised (F1) flap |
| DEP204W/48/F3 | white frame / gold anodised (F3) flap |
| DEP204W/48/F3P | white frame / polished gold anodised (F3P) flap |
| DEP204W/48/W | white frame / white flap |
| DEP212W/48/PB | white frame / polished brass flap* |
| DEP212W/48/PC | white frame / polished chrome flap |

Frame dimensions: 296 x 66mm

Aperture dimensions: 254 x 38mm

Packaging: 1 / 40 pcs

* **limited stock**

D&E combination letter plates - 12"

| | | |
|----------------|-------|------|
| CI/SfB | 31/59 | Xt 7 |
| September 2007 | | |



D&E 12" sprung combination letter plate.

The D&E letter plates are fitted with an external flap seal and an internal brush draught excluder. Concealed fixing. Tested to BS2911

To suit door thickness: 20 to 40mm

DEP202S/24/F1
DEP202S/24/PC

silver frame / silver anodised (F1) flap
silver frame / pol. chrome flap

To suit door thickness: 40 to 80mm

DEP202S/48/F1
DEP202S/48/PC

silver frame / silver anodised (F1) flap
silver frame / pol. chrome flap

Frame dimensions: 296 x 66mm

Aperture dimensions: 254 x 38mm

Packaging: 1 / 40 pcs

D&E combination letter plates - 10"

| | | |
|----------------|-------|------|
| CI/SfB | 31/59 | Xt 7 |
| September 2007 | | |



D&E 10" sprung combination letter plate.

The D&E letter plates are fitted with an external flap seal and an internal brush draught excluder. Concealed fixing. Tested to BS291.

To suit door thickness: 40 to 80mm

| | |
|-----------------------|---|
| <i>DEP210B/48/F1</i> | black frame / silver anodised (F1) flap |
| <i>DEP210B/48/F3P</i> | black frame / polished gold anodised (F3P) flap |
| <i>DEP210B/48W</i> | black frame / white flap |

Frame dimensions: 272 x 70mm

Aperture dimensions: 221 x 37mm

Packaging: 1 / 40 pcs



D&E slimline combination letter plate.

The D&E letter plates are fitted with an external flap seal and an internal brush draught excluder. Concealed fixing.

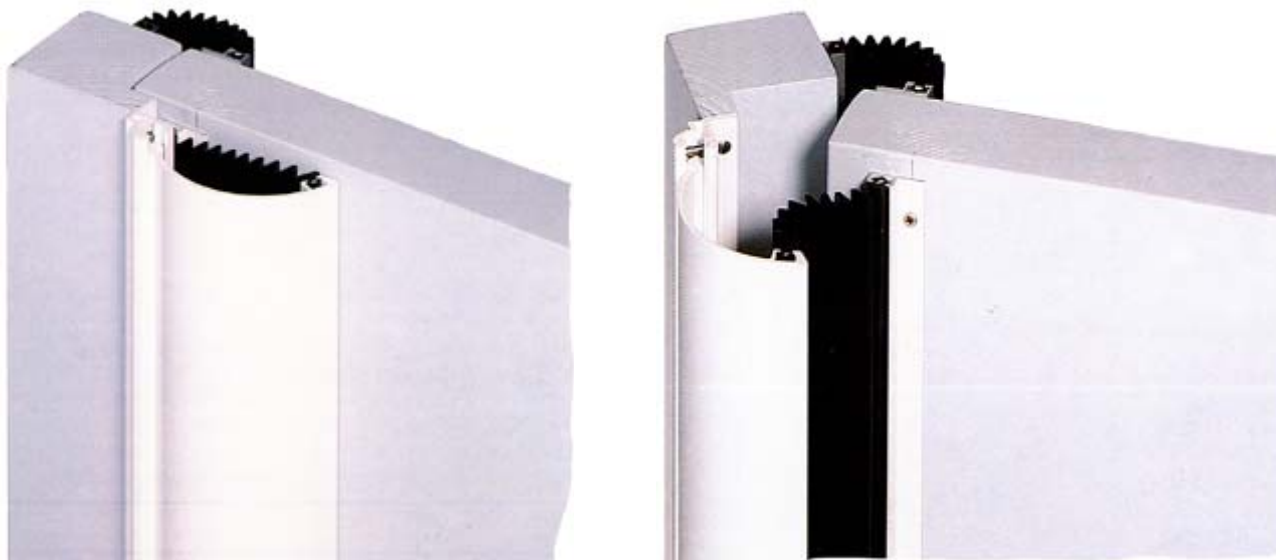
To suit door thickness: 40 to 80mm

| | |
|-----------------------|---|
| <i>DEP203B/48/F3P</i> | black frame / pol. gold anodised (F3P) flap |
| <i>DEP203B48/W</i> | black frame / white flap |
| <i>DEP203G/48/F3P</i> | gold frame / pol. gold anodised (F3P) flap |
| <i>DEP203S/48/F1</i> | silver frame / silver anodised (F1) flap |
| <i>DEP203W/48/W</i> | white frame / white flap |

Frame dimensions: 326 x 51mm

Aperture dimensions: 260 x 30mm

Packaging: 1 / 40 pcs

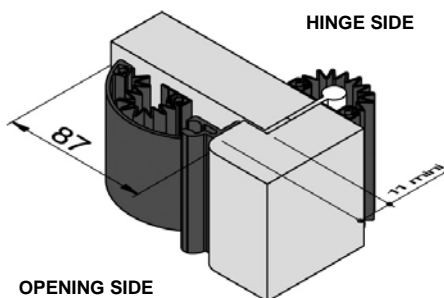


D&E Elegance finger protector

The D&E 'Elegance' finger protection system is designed to prevent finger from being trapped in the hinged edge of the door.

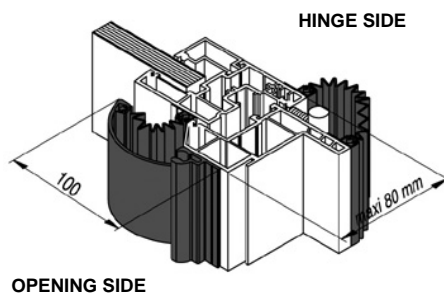
In today's modern society where everyone wants to sue somebody for something, this item is a must. This patented system consists of an aluminium shroud and neoprene or chloroprene gaskets - depending on the required application.

Timber door / Timber frame



- DE7008C/205/SAA hinge side finger protector - 2.05m long - EPDM gasket silver anodised
- DE7020C/205/SAA hinge side finger protection - 2.05m long - fire resistant gasket silver anodised
- DE7012F/205/SAA opening side finger protection - 2.05m long - fire resistant gasket silver anodised
- DE7014F/205/SAA opening side finger protection - 2.05m long - EPDM gasket silver anodised

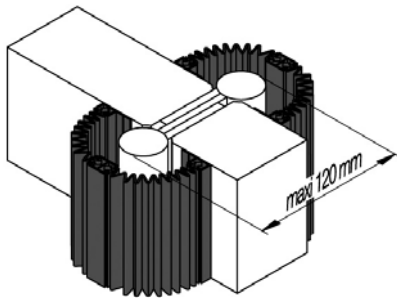
PVCu door / PVCu frame



- DE7026F/205/SAA opening side finger protection - 2.05m long - EPDM gasket silver anodised
- DE7027F/205/SAA opening side finger protection - 2.05m long - fire resistant gasket silver anodised

D&E Elegance finger protector

| | | |
|----------------|------|--|
| CI/SfB | | |
| 31/59 | Xt 7 | |
| September 2007 | | |



| | | |
|----------------|--|-----------------|
| DE7024/205/SAA | finger protector for double action doors - 2.05m long - EPDM gasket | silver anodised |
| DE7025/205/SAA | finger protector for double action doors - 2.05m long - fire resistant gasket | silver anodised |

Other models and finishes are available to order -
please contact the sales team for any special requirements.



| | | |
|----------------|--|-----------------|
| DE4108/225/NF | mid joint for double action door application - 2.25m long | natural finish |
| DE4108/225/SAA | mid joint for double action door application - 2.25m long | silver anodised |



| | | |
|----------------|---------------------------|-----------------|
| DE4109/225/NF | face mounted - 2.25m long | natural finish |
| DE4109/225/SAA | face mounted - 2.25m long | silver anodised |



| | | |
|----------------|---------------------------|-----------------|
| DE4110/225/NF | side mounted - 2.25m long | natural finish |
| DE4110/225/SAA | side mounted - 2.25m long | silver anodised |

| | | |
|------|------------------------------------|-------|
| 9108 | fire resistant gasket - 2.25m long | black |
| 9120 | EPDM gasket - 2.25m long | grey |

D&E lever action flush bolt range



| | | |
|-------------|---------------------------------|---------------|
| DE58/150/B | lever action flush bolt - 150mm | Brassed |
| DE58/150/NP | lever action flush bolt - 150mm | Nickel Plated |
| DE58/200/B | lever action flush bolt - 200mm | Brassed |
| DE58/200/NP | lever action flush bolt - 200mm | Nickel Plated |
| DE58/250/B | lever action flush bolt - 250mm | Brassed |
| DE58/250/NP | lever action flush bolt - 250mm | Nickel Plated |

Body dimensions: width: 16mm
depth: 13mm

Shoot bolt: diameter: 8mm
projection: 14mm

Packaging: 12 pcs

For a floor socket with a sprung dust cover see page P-1031

D&E slide action flush bolt range



| | | |
|-------------|---------------------------------|---------------|
| DE59/150/B | slide action flush bolt - 150mm | Brassed |
| DE59/150/NP | slide action flush bolt - 150mm | Nickel Plated |
| DE59/200/B | slide action flush bolt - 200mm | Brassed |
| DE59/200/NP | slide action flush bolt - 200mm | Nickel Plated |
| DE59/250/B | slide action flush bolt - 250mm | Brassed |
| DE59/250/NP | slide action flush bolt - 250mm | Nickel Plated |

Body dimensions: width: 16mm
depth: 13mm

Shoot bolt: diameter: 8mm
projection: 21mm

Packaging: 12 pcs

For a floor socket with a sprung dust cover see page P-1031

For more information on the D&E flush bolt range including our automatic range please go to the 'Secondary Security' section of the D&E catalogue

| | | |
|----------------|------|--|
| CI/SfB | | |
| 31/59 | Xt 7 | |
| September 2007 | | |



D&E lever action flush bolt range

| | | | |
|------------------------|-------------------------|------------|-------------|
| <i>DELS5016/6/PB</i> | lever action flush bolt | 150 x 19mm | pol. brass |
| <i>DELS5016/6/PC</i> | lever action flush bolt | 150 x 19mm | pol. chrome |
| <i>DELS5016/6/SCP</i> | lever action flush bolt | 150 x 19mm | sat. chrome |
| <i>DELS5017/8/PB</i> | lever action flush bolt | 200 x 19mm | pol. brass |
| <i>DELS5017/8/PC</i> | lever action flush bolt | 200 x 19mm | pol. chrome |
| <i>DELS5017/8/SCP</i> | lever action flush bolt | 200 x 19mm | sat. chrome |
| <i>DELS5018/10/PB</i> | lever action flush bolt | 250 x 19mm | pol. brass |
| <i>DELS5018/10/PC</i> | lever action flush bolt | 250 x 19mm | pol. chrome |
| <i>DELS5018/10/SCP</i> | lever action flush bolt | 250 x 19mm | sat. chrome |
| <i>DELS5019/12/PB</i> | lever action flush bolt | 300 x 19mm | pol. brass |
| <i>DELS5019/12/PC</i> | lever action flush bolt | 300 x 19mm | pol. chrome |
| <i>DELS5019/12/SCP</i> | lever action flush bolt | 300 x 19mm | sat. chrome |

Shoot bolt: diameter: 10mm
projection: 17mm

Packaging: each / 10 pcs

For a floor socket with a sprung dust cover see pages P-1030 and P-1031

For more information on the D&E flush bolt range including our automatic range please go to the 'Secondary Security' section of the D&E catalogue

| | | |
|----------------|-------|------|
| CI/SfB | 31/59 | Xt 7 |
| September 2007 | | |

D&E door holder.

DE242S door holder - 130mm silver lacquered
DE251PB door holder - 130mm pol. brass

Shoot: 35mm

Door weights: 25Kg

Packaging: 6 pcs of one finish

A comprehensive range of door stops & holders, in all finishes is available for doors up to 200Kg. Full details can be found in our KWS Range catalogue.



D&E door holder.

DE245S door holder - 180mm silver lacquered
DE246G door holder - 180mm gold lacquered
DE250PB door holder - 180mm pol. brass

Shoot: 50mm

Door weights: 40Kg

Packaging: 6 pcs of one finish

A comprehensive range of door stops & holders, in all finishes is available for doors up to 200Kg. Full details can be found in our KWS Range catalogue.



| | | |
|-------------|------|--|
| CI/SfB | | |
| 31/59 | Xt 7 | |
| August 2011 | | |

D&E door holder.



| | | |
|-------------------|---------------------|------------------|
| <i>DEGR180/B</i> | door holder - 140mm | brass plated |
| <i>DEGR180/SI</i> | door holder - 140mm | silver lacquered |
| <i>DEGR180/WT</i> | door holder - 140mm | white |
| <i>DEGR180/ZP</i> | door holder - 140mm | zinc plated |

| | |
|---------------|---------------------|
| Shoot: | 22mm |
| Door weights: | 40Kg |
| Packaging: | 6 pcs of one finish |

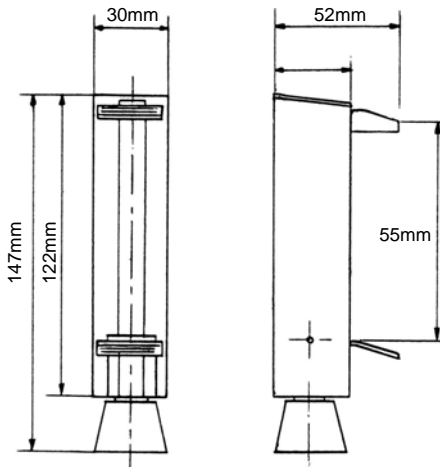
A comprehensive range of door stops & holders, in all finishes is available for doors up to 200Kg. Full details can be found in our KWS Range catalogue.

D&E door holder.



| | | |
|-----------------|-------------|------------------|
| <i>DE234/BK</i> | door holder | black lacquered |
| <i>DE235/SI</i> | door holder | silver lacquered |
| <i>DE236/GD</i> | door holder | gold lacquered |
| <i>DE238/WT</i> | door holder | white |

| | |
|---------------|---------------------|
| Shoot: | 50mm |
| Door weights: | 60Kg |
| Packaging: | 6 pcs of one finish |



| | | |
|-------------|------|--|
| CI/SfB | | |
| 31/59 | Xt 7 | |
| August 2011 | | |

D&E push down door stop / holder.

This D&E door stop / holder is designed for installation in timber or concrete floors. Depress the rubber buffer and manoeuvre the door over the top of it. Once the door has passed fully over the buffer, the buffer pops back up. The hold back function is achieved by depressing the buffer and twisting it in a clockwise motion. To reinstate the buffer simply reverse this process. Suitable for environments where a door is required to be kept open for any reason.



Hold back model

Timber floor installation

DE1071878200 door stop / holder sat. stainless steel
 DE1033808200 door stop / holder with hold back function sat. stainless steel

Stainless steel grade: SUS 316

Door weight: 80Kg

Supplied complete with fixing screws & rawl plugs as standard.

Installation: drill main body hole 38mm Ø & 55mm deep
 or drill 4 fixing holes 2.5mm Ø in solid timber
 or drill 4 fixing holes 5mm Ø in concrete



Hold back model

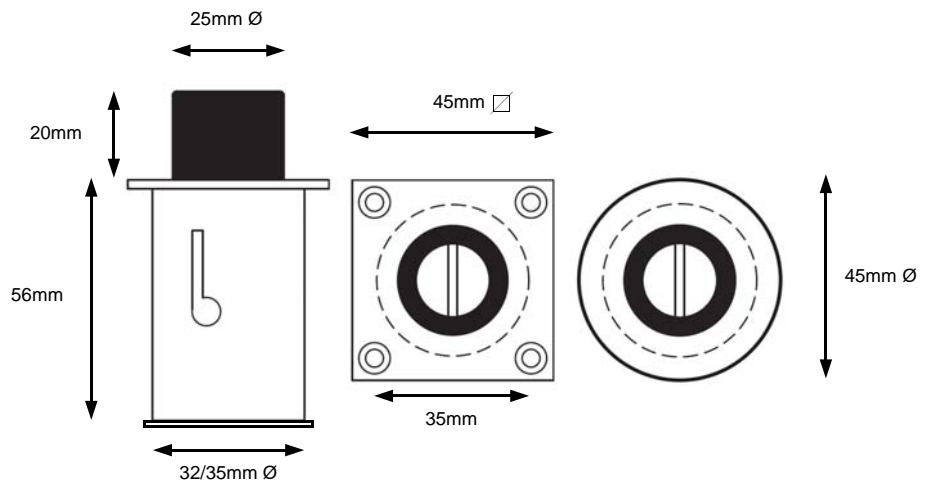
Concrete floor installation

DE1071888200 door stop / holder sat. stainless steel
 DE1071898200 door stop / holder with hold back function sat. stainless steel

Stainless steel grade: SUS 316

Door weight: 80Kg

Installation is achieved by boring a hole 38mm Ø & 56mm deep for a certite mortar fix.



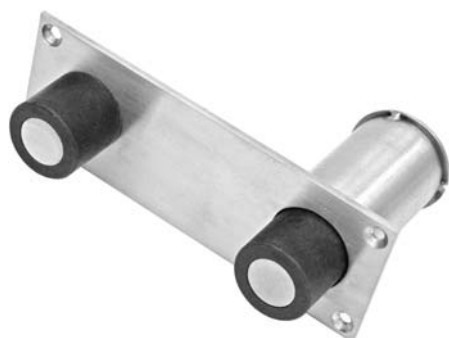
The DE1071878200 & DE1071888200 have both successfully completed a 100,000 cycle test on a 1000mm wide, 80Kg door which was fitted with a size 4 door closer.

A comprehensive range of door stops & holders, in all finishes is available for doors up to 200Kg. Full details can be found in our KWS Range catalogue.

| | | |
|-------------|------|--|
| CI/SfB | | |
| 31/59 | Xt 7 | |
| August 2011 | | |

D&E push down door stop & holder.

This D&E door stop & holder is designed for installation in timber or concrete floors. Depress the rubber buffer and manoeuvre the door over the top of it. Once the door has passed fully over the buffer, the buffer pops back up. The hold back function is achieved by depressing the buffer and twisting it in a clockwise motion. To reinstate the buffer simply reverse this process. Suitable for environments where a door is required to be kept open for any reason.



Timber floor installation

| | | |
|--------------|--|----------------------|
| DE1071988200 | door stop & holder | sat. stainless steel |
| DE1071998200 | door stop & holder with hold back function | sat. stainless steel |

Stainless steel grade: SUS 316

Max door thickness: 55mm

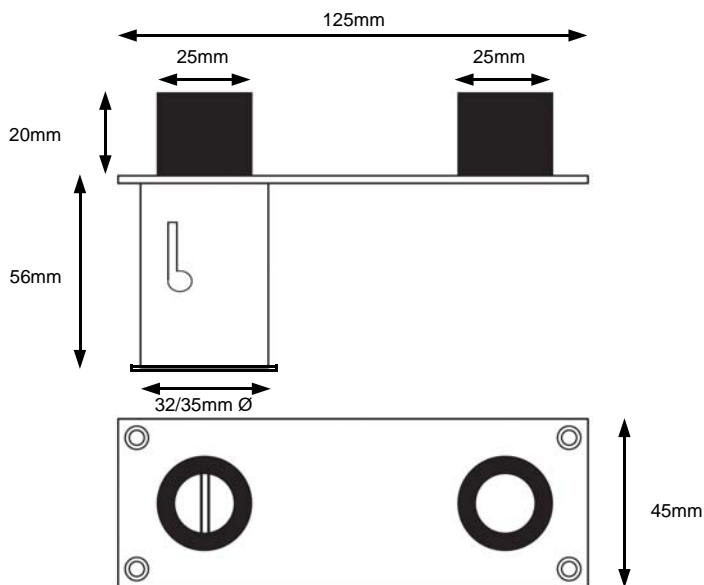
Door weight: 80Kg

Supplied complete with fixings as standard.



Hold back model

Installation: drill main body hole 38mm Ø & 55mm deep
or
drill 4 fixing holes 2.5mm Ø in solid timber
drill 4 fixing holes 5mm Ø in concrete



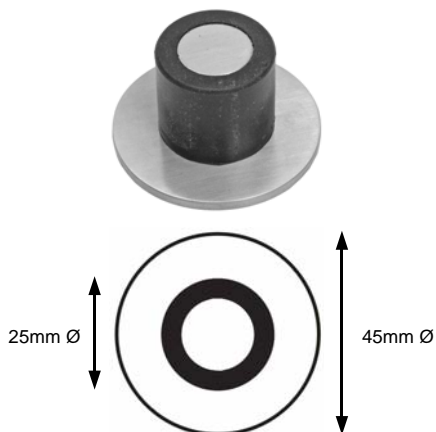
D&E door stop.

| | | |
|--------------|-----------|----------------------|
| DE1072028200 | door stop | sat. stainless steel |
|--------------|-----------|----------------------|

Stainless steel grade: SUS 316

Door weight: 80Kg

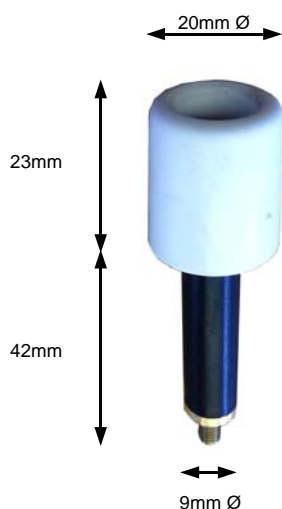
Supplied complete with fixings for timber and concrete floors as standard.



A comprehensive range of door stops & holders, in all finishes is available for doors up to 200Kg. Full details can be found in our KWS Range catalogue.

| | | |
|-------------|------|--|
| CI/SfB | | |
| 31/59 | Xt 7 | |
| August 2011 | | |

D&E door stop.



DEDF265/BK
DEDF265/WT

D&E door stop
D&E door stop

black
white

Packaging: 100 pcs

Installation: Bore a hole 45mm deep x 10mm diameter in the floor or wall. Insert the rubber fixing plug (whilst still attached to the buffer) and tighten the screw. Tightening the screw compresses the rubber plug, forcing it to expand within the hole creating a secure fixing.

A comprehensive range of door stops & holders, in all finishes is available for doors up to 200Kg. Full details can be found in our KWS Range catalogue.

D&E projection door stop.



DEDF3009/SSS
DEDF3009/PSS

D&E door stop - 75mm
D&E door stop - 75mm

sat. stainless steel
pol. stainless steel

DEDF3010/SSS
DEDF3010/PSS

D&E door stop - 95mm
D&E door stop - 95mm

sat. stainless steel
pol. stainless steel

Packaging: 20 pcs

A comprehensive range of door stops & holders, in all finishes is available for doors up to 200Kg. Full details can be found in our KWS Range catalogue.

| | | |
|-------------|-------|------|
| CI/SfB | 31/59 | Xt 7 |
| August 2011 | | |

D&E stainless steel free standing door stop



DEH20805/SSS moveable door holder sat. stainless steel

Diameter: 70mm

Weight: 1.3Kg

Door Weights: 40 - 60Kg

Packaging: 10 pcs

A comprehensive range of door stops & holders, in all finishes is available for doors up to 200Kg. Full details can be found in our KWS Range catalogue.



DEH20504/SSS moveable door holder sat. stainless steel

Diameter: 105mm

Weight: 1.3Kg

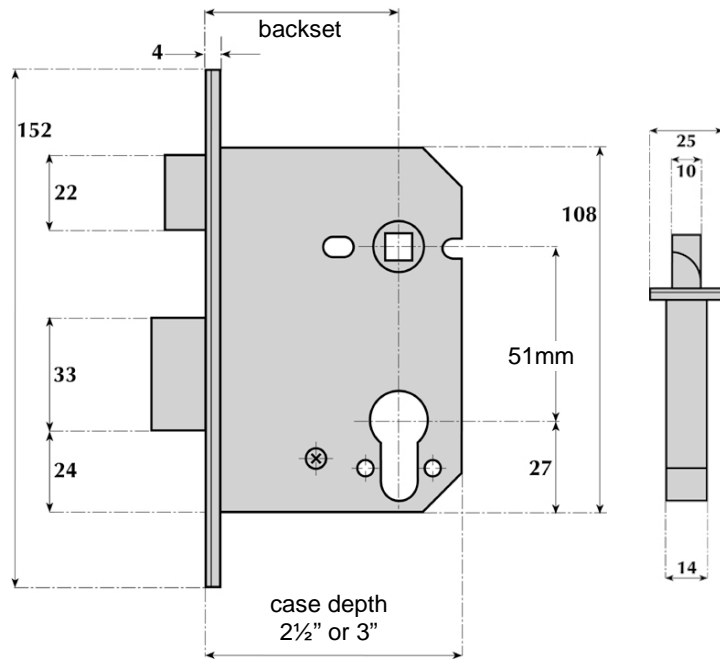
Door Weights: 40 - 60Kg

Packaging: 10 pcs

A comprehensive range of door stops & holders, in all finishes is available for doors up to 200Kg. Full details can be found in our KWS Range catalogue.

D&E G7030 - euro cylinder sashlock - BS3621

| | | |
|----------------|------|--|
| CI/SfB | | |
| 31/59 | Xt 7 | |
| September 2007 | | |



UK style reversible mortice sashlock lockcase range to suit euro profile cylinders. Tested to BS 3621.

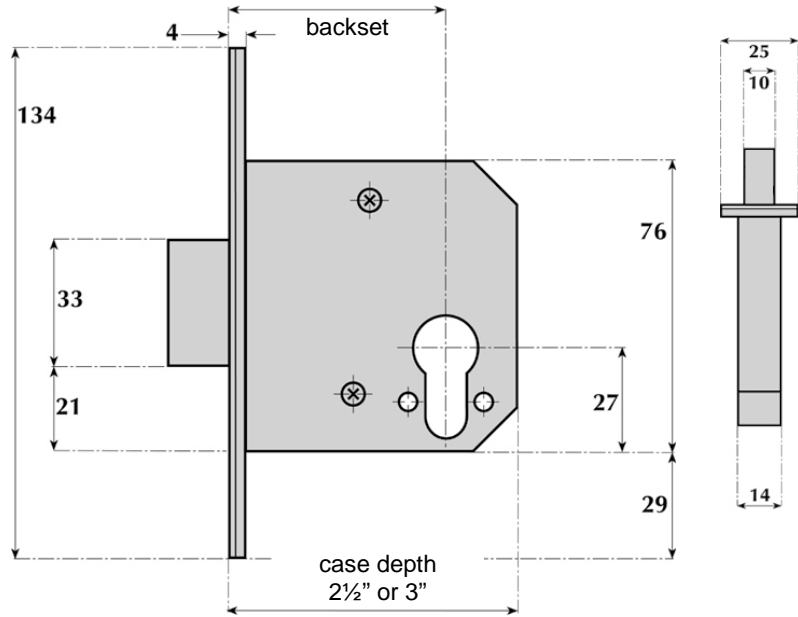
| | | |
|------------------------|--|----------------------|
| <i>DEG7030BS/63/SS</i> | 2 1/2" euro profile cylinder sashlock 45mm backset supplied complete with cylinder & escutcheons - BS 3621 | sat. stainless steel |
| <i>DEG7030BS/63/SB</i> | 2 1/2" euro profile cylinder sashlock 45mm backset supplied complete with cylinder & escutcheons - BS 3621 | sat. brass |
| <i>DEG7030BS/76/SS</i> | 3" euro profile cylinder high security sashlock 57mm backset supplied complete with cylinder & escutcheons - BS 3621 | sat. stainless steel |
| <i>DEG7030BS/76/SB</i> | 3" euro profile cylinder high security sashlock 57mm backset supplied complete with cylinder & escutcheons - BS 3621 | sat. brass |
| <i>DEG7030/63/SS</i> | 2 1/2" euro profile cylinder sashlock 45mm backset | sat. stainless steel |
| <i>DEG7030/63/SB</i> | 2 1/2" euro profile cylinder sashlock 45mm backset | sat. brass |
| <i>DEG7030/76/SS</i> | 3" euro profile cylinder sashlock 57mm backset | sat. stainless steel |
| <i>DEG7030/76/SB</i> | 3" euro profile cylinder sashlock 57mm backset | sat. brass |

- Case: hardened steel - epoxy polyester powder coated.
- Latchbolt: reversible, brass.
- Deadbolt: 16mm single throw, with 2 hardened steel rollers.
- Follower: 8mm brass, suitable for use on sprung door furniture.
- Cylinder: euro profile Grundman AP2000 - dimensions: 70mm overall length (30/10/30mm)

Supplied complete with fixings and box strike plate.

D&E G7034 - euro cylinder deadlock - BS3621

| | | |
|----------------|------|--|
| CI/SfB | | |
| 31/59 | Xt 7 | |
| September 2007 | | |



UK style reversible mortice deadlock lockcase range to suit euro profile cylinders. Tested to BS 3621.

| | | |
|------------------------|--|----------------------|
| <i>DEG7034BS/63/SS</i> | 2 1/2" euro profile cylinder sashlock 45mm backset supplied complete with cylinder & escutcheons - BS 3621 | sat. stainless steel |
| <i>DEG7034BS/63/SB</i> | 2 1/2" euro profile cylinder sashlock 45mm backset supplied complete with cylinder & escutcheons - BS 3621 | sat. brass |
| <i>DEG7034BS/76/SS</i> | 3" euro profile cylinder high security sashlock 57mm backset supplied complete with cylinder & escutcheons - BS 3621 | sat. stainless steel |
| <i>DEG7034BS/76/SB</i> | 3" euro profile cylinder high security sashlock 57mm backset supplied complete with cylinder & escutcheons - BS 3621 | sat. brass |
| <i>DEG7034/63/SS</i> | 2 1/2" euro profile cylinder sashlock 45mm backset | sat. stainless steel |
| <i>DEG7034/63/SB</i> | 2 1/2" euro profile cylinder sashlock 45mm backset | sat. brass |
| <i>DEG7034/76/SS</i> | 3" euro profile cylinder sashlock 57mm backset | sat. stainless steel |
| <i>DEG7034/76/SB</i> | 3" euro profile cylinder sashlock 57mm backset | sat. brass |

Case: hardened steel - epoxy polyester powder coated.

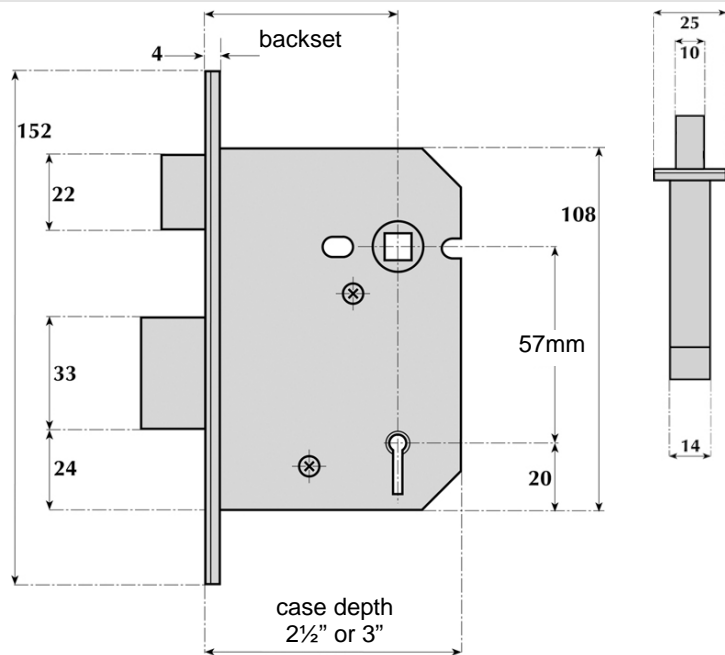
Deadbolt: 16mm single throw, with 2 hardened steel rollers.

Cylinder: euro profile Grundman AP2000 - dimensions: 70mm overall length (30/10/30mm)

Supplied complete with fixings, security escutcheons and box strike plate.

D&E G5050 - 5 lever sashlock - BS3621

| | | |
|----------------|------|--|
| CI/SfB | | |
| 31/59 | Xt 7 | |
| September 2007 | | |



UK style 5 lever reversible mortice sashlock range.
Tested to BS 3621.

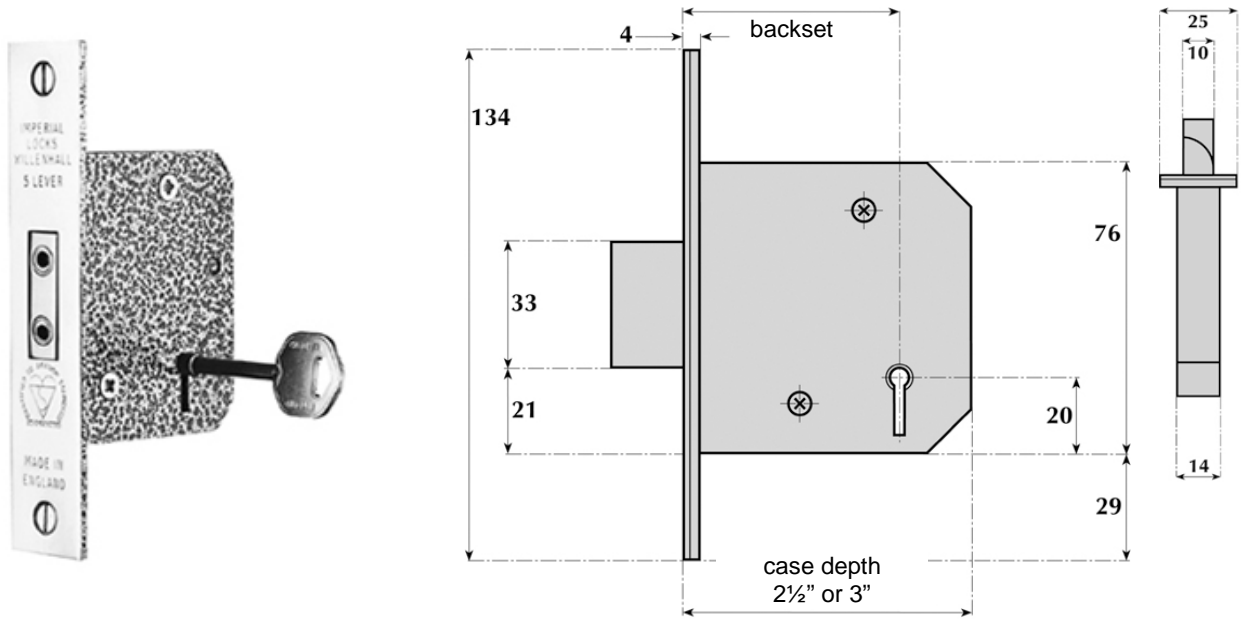
| | | |
|----------------------|---|----------------------|
| <i>DEG5050/63/SS</i> | 5 lever 2½" sashlock 45mm backset - 57mm centres - BS 3621 | sat. stainless steel |
| <i>DEG5050/63/SB</i> | 5 lever 2½" sashlock 45mm backset - 57mm centres - BS 3621 | sat. brass |
| <i>DEG5050/76/SS</i> | 5 lever 3" sashlock 57mm backset - 57mm centres - BS 3621 | sat. stainless steel |
| <i>DEG5050/76/SB</i> | 5 lever 3" sashlock 57mm backset - 57mm centres - BS 3621 | sat. brass |

| | |
|------------|--|
| Case: | hardened steel - epoxy polyester powder coated |
| Latchbolt: | reversible, brass |
| Deadbolt: | 20mm single throw, with 2 hardened steel rollers |
| Follower: | 8mm brass, suitable for sprung door furniture only |
| Differs: | 1000 |

Supplied complete with fixings and box strike plate.

D&E G5054 - 5 lever deadlock - BS3621

| | | |
|----------------|------|--|
| CI/SfB | | |
| 31/59 | Xt 7 | |
| September 2007 | | |

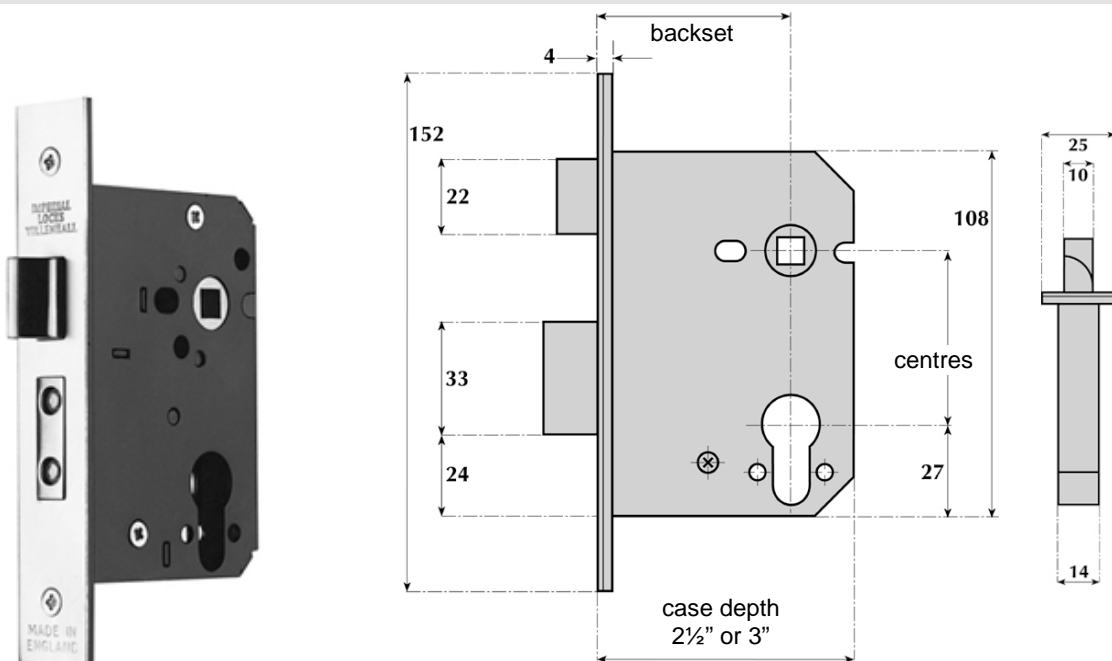


UK style 5 lever mortice deadlock range.
Tested to BS 3621.

- | | | |
|----------------------|---|----------------------|
| <i>DEG5054/63/SS</i> | 5 lever 2½" deadlock 45mm backset - BS 3621 | sat. stainless steel |
| <i>DEG5054/63/SB</i> | 5 lever 2½" deadlock 45mm backset - BS 3621 | sat. brass |
| <i>DEG5054/76/SS</i> | 5 lever 3" deadlock 57mm backset - BS 3621 | sat. stainless steel |
| <i>DEG5054/76/SB</i> | 5 lever 3" deadlock 57mm backset - BS 3621 | sat. brass |

Case: hardened steel - epoxy polyester powder coated
 Deadbolt: 20mm single throw, with 2 hardened steel rollers
 Differs: 1000

Supplied complete with fixings and box strike plate.



UK style sashlock lockcase range to suit euro profile cylinders.

| | | |
|-----------------------|---|----------------------|
| <i>DEG7000/63/SS</i> | 2½" euro profile cylinder sashlock 45mm backset - 51mm centres | sat. stainless steel |
| <i>DEG7000/63/SB</i> | 2½" euro profile cylinder sashlock 45mm backset - 51mm centres | sat. brass |
| <i>DEG7000/76/SS</i> | 3" euro profile cylinder sashlock 57mm backset - 51mm centres | sat. stainless steel |
| <i>DEG7000/76/SB</i> | 3" euro profile cylinder sashlock 57mm backset - 51mm centres | sat. brass |
| <i>DEG7000/101/SS</i> | 4" euro profile cylinder sashlock 82mm backset - 51mm centres | sat. stainless steel |
| <i>DEG7000/101/SB</i> | 4" euro profile cylinder sashlock 82mm backset - 51mm centres | sat. brass |
| <i>DEGY7000/63/SS</i> | 2½" euro profile cylinder sashlock 45mm backset - 48mm centres | sat. stainless steel |
| <i>DEGY7000/63/SB</i> | 2½" euro profile cylinder sashlock 45mm backset - 48mm centres | sat. brass |
| <i>DEGY7000/76/SS</i> | 3" euro profile cylinder sashlock 57mm backset - 48mm centres | sat. stainless steel |
| <i>DEGY7000/76/SB</i> | 3" euro profile cylinder sashlock 57mm backset - 48mm centres | sat. brass |
| <i>DEGE7000/63/SS</i> | 2½" euro profile cylinder sashlock 45mm backset - 57mm centres | sat. stainless steel |
| <i>DEGE7000/63/SB</i> | 2½" euro profile cylinder sashlock 45mm backset - 57mm centres | sat. brass |
| <i>DEGE7000/76/SS</i> | 3" euro profile cylinder sashlock 57mm backset - 57mm centres | sat. stainless steel |
| <i>DEGE7000/76/SB</i> | 3" euro profile cylinder sashlock 57mm backset - 57mm centres | sat. brass |

D&E G7000 - euro cylinder sashlock

| | | |
|----------------|------|--|
| CI/SfB | | |
| 31/59 | Xt 7 | |
| September 2007 | | |

Case: hardened steel - epoxy polyester powder coated.

Latchbolt: reversible, brass.

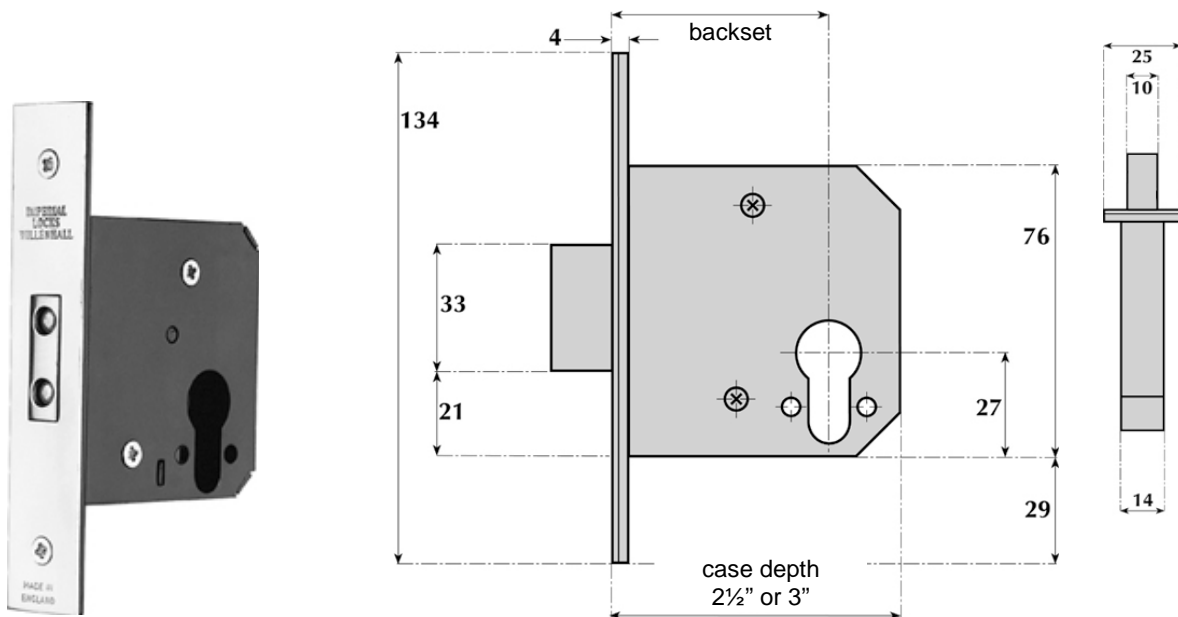
Deadbolt: 14mm single throw, with 2 hardened steel rollers.

Follower: 8mm brass, heavy sprung for use on unsprung door furniture.

Supplied complete with fixings and box strike plate.

D&E G7004 series - euro cylinder deadlock

| | | |
|----------------|------|--|
| CI/SfB | | |
| 31/59 | Xt 7 | |
| September 2007 | | |



UK style mortice deadlock lockcase range to suit euro profile cylinders.

| | | |
|-----------------------|--|----------------------|
| <i>DEG7004/63/SS</i> | 2½" euro profile cylinder deadlock 45mm backset | sat. stainless steel |
| <i>DEG7004/63/SB</i> | 2½" euro profile cylinder deadlock 45mm backset | sat. brass |
| <i>DEG7004/76/SS</i> | 3" euro profile cylinder deadlock 57mm backset | sat. stainless steel |
| <i>DEG7004/76/SB</i> | 3" euro profile cylinder deadlock 57mm backset | sat. brass |
| <i>DEG7004/101/SS</i> | 4" euro profile cylinder deadlock 82mm backset | sat. stainless steel |
| <i>DEG7004/101/SB</i> | 4" euro profile cylinder deadlock 82mm backset | sat. brass |

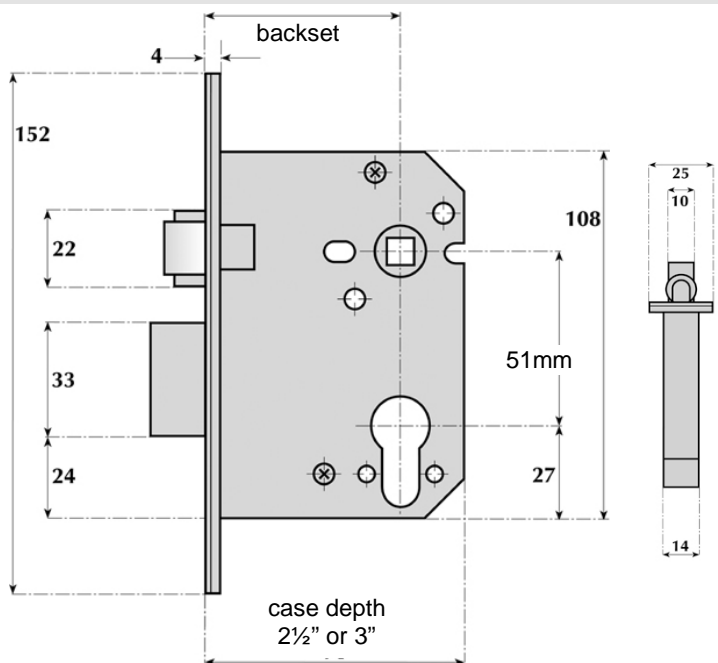
Case: steel - epoxy polyester powder coated.

Deadbolt: 14mm single throw, with 2 hardened steel rollers.

Supplied complete with fixings and strike plate.

D&E G7002 - roller lockcase

| | | |
|----------------|------|--|
| CI/SfB | | |
| 31/59 | Xt 7 | |
| September 2007 | | |



UK style roller lock lockcase range to suit euro profile cylinders.

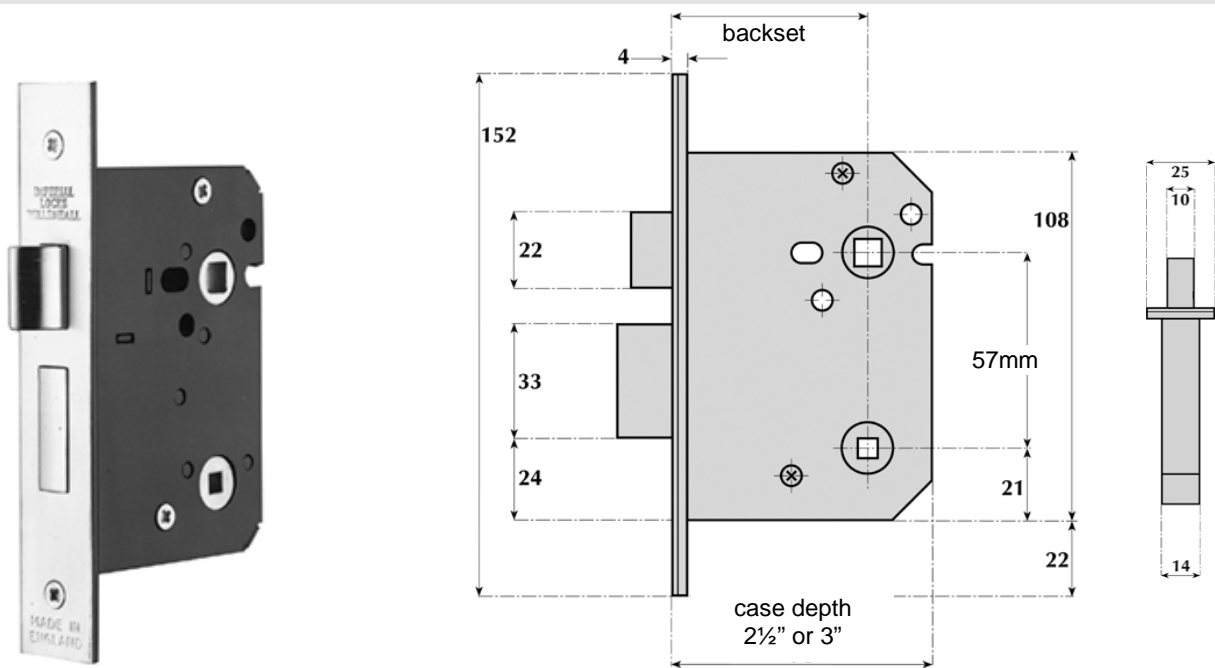
| | | |
|-----------------------|--|----------------------|
| <i>DEG7002/63/SS</i> | 2½" euro profile cylinder roller lock 45mm backset - 51mm centres | sat. stainless steel |
| <i>DEG7002/63/SB</i> | 2½" euro profile cylinder roller lock 45mm backset - 51mm centres | sat. brass |
| <i>DEG7002/76/SS</i> | 3" euro profile cylinder roller lock 57mm backset - 51mm centres | sat. stainless steel |
| <i>DEG7002/76/SB</i> | 3" euro profile cylinder roller lock 57mm backset - 51mm centres | sat. brass |
| <i>DEG7002/101/SS</i> | 4" euro profile cylinder roller lock 82mm backset - 51mm centres | sat. stainless steel |
| <i>DEG7002/101/SB</i> | 4" euro profile cylinder roller lock 82mm backset - 51mm centres | sat. brass |

| | |
|------------|--|
| Case: | steel - epoxy polyester powder coated. |
| Latchbolt: | brass roller bolt for double action doors. |
| Deadbolt: | 14mm single throw, with 2 hardened steel rollers. |
| Follower: | 8mm brass, heavy sprung for use on un-sprung door furniture. |

Supplied complete with fixings and strike plate.

D&E G8020 / G8021 series - bathroom locks

| | | |
|----------------|------|--|
| CI/SfB | | |
| 31/59 | Xt 7 | |
| September 2007 | | |



UK style roller lock lockcase range to suit euro profile cylinders.

| | | |
|-----------------------|---|----------------------|
| <i>DEG8020/63/SS</i> | 2½" bathroom lock - 8/5mm followers 45mm backset | sat. stainless steel |
| <i>DEG8020/63/SB</i> | 2½" bathroom lock - 8/5mm followers 45mm backset | sat. brass |
| <i>DEG8020/76/SS</i> | 3" bathroom lock - 8/5mm followers 57mm backset | sat. stainless steel |
| <i>DEG8020/76/SB</i> | 3" bathroom lock - 8/5mm followers 57mm backset | sat. brass |
| <i>DEG8020/101/SS</i> | 4" bathroom lock - 8/5mm followers 82mm backset | sat. stainless steel |
| <i>DEG8020/101/SB</i> | 4" bathroom lock - 8/5mm followers 82mm backset | sat. brass |
| <i>DEG8021/63/SS</i> | 2½" bathroom lock - 8/8mm followers 45mm backset | sat. stainless steel |
| <i>DEG8021/63/SB</i> | 2½" bathroom lock - 8/8mm followers 45mm backset | sat. brass |
| <i>DEG8021/76/SS</i> | 3" bathroom lock - 8/8mm followers 57mm backset | sat. stainless steel |
| <i>DEG8021/76/SB</i> | 3" bathroom lock - 8/8mm followers 57mm backset | sat. brass |
| <i>DEG8021/101/SS</i> | 4" bathroom lock - 8/8mm followers 82mm backset | sat. stainless steel |
| <i>DEG8021/101/SB</i> | 4" bathroom lock - 8/8mm followers 82mm backset | sat. brass |



D&E G8020 / G8021 series - bathroom locks

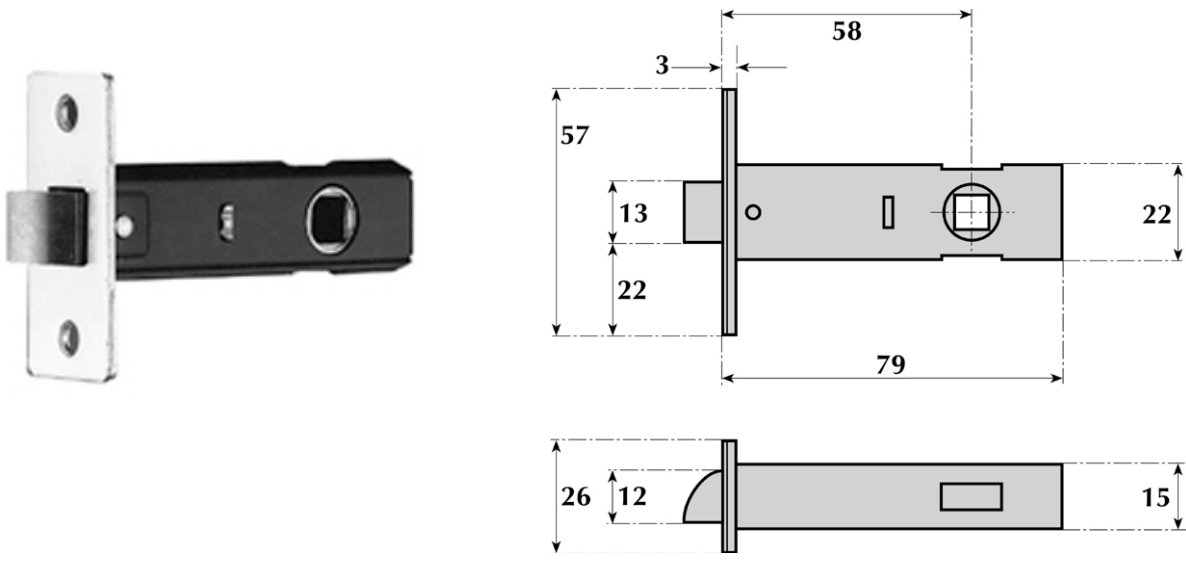
| | | |
|----------------|-------|------|
| CI/SfB | | |
| | 31/59 | Xt 7 |
| September 2007 | | |

Case: steel - epoxy polyester powder coated
Latchbolt: reversible, brass
Deadbolt: 14mm single throw
Follower: 8mm brass, suitable for use on sprung door furniture

Supplied complete with fixings and strike plate

D&E G4061 series - budget tubular latch

| | | |
|----------------|------|--|
| CI/SfB | | |
| 31/59 | Xt 7 | |
| September 2007 | | |



General use tubular latch range.

DEG4061/63/PB mortice tubular latch - 46mm backset pol. brass
 DEG4061/63/PB mortice tubular latch - 46mm backset sat. stainless steel

DEG4061/76/PB mortice tubular latch - 58mm backset pol. brass
 DEG4061/76/PB mortice tubular latch - 58mm backset sat. stainless steel

Case: steel - epoxy polyester powder coated

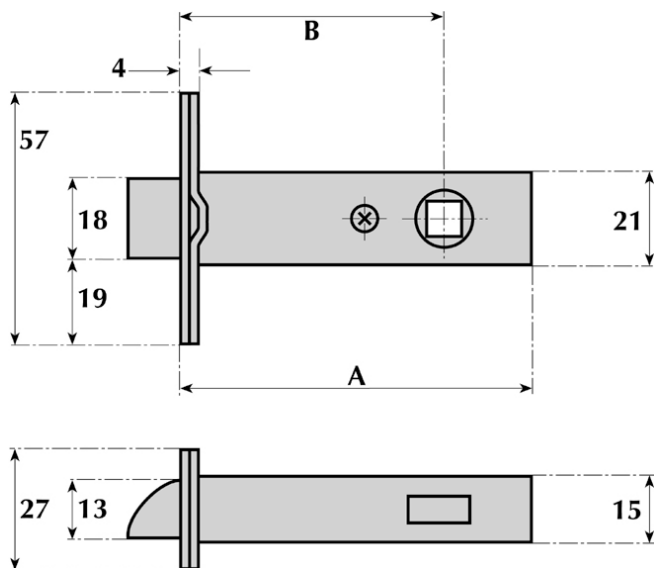
Latchbolt: brass

Follower: 8mm brass, suitable for use on sprung door furniture

Supplied complete with fixings and strike plate.

D&E G4060 series - heavy duty tubular latch

| | | |
|----------------|------|--|
| CI/SfB | | |
| 31/59 | Xt 7 | |
| September 2007 | | |



Heavy duty tubular latch range.

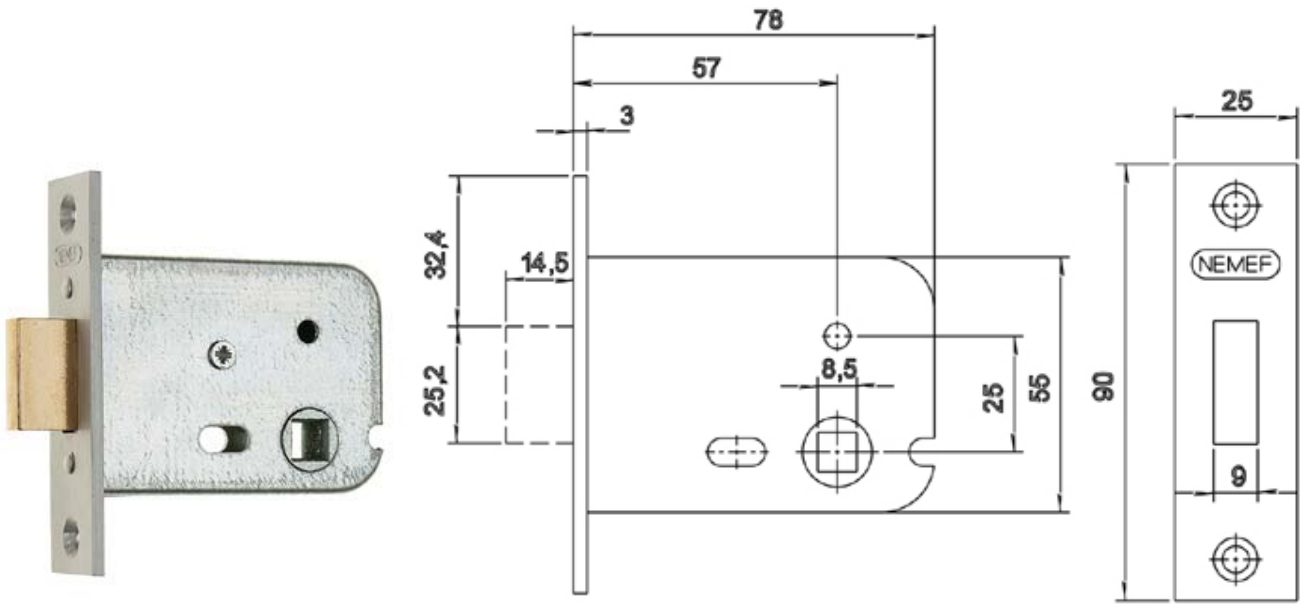
| | | |
|-----------------------|---|----------------------|
| <i>DEG4060/80/PB</i> | heavy duty mortice tubular latch - 80mm case depth - 60mm backset | pol. brass |
| <i>DEG4060/80/SS</i> | heavy duty mortice tubular latch - 80mm case depth - 60mm backset | sat. stainless steel |
| <i>DEG4060/100/PB</i> | heavy duty mortice tubular latch - 100mm case depth - 75mm backset | pol. brass |
| <i>DEG4060/100/SS</i> | heavy duty mortice tubular latch - 100mm case depth - 75mm backset | sat. stainless steel |
| <i>DEG4060/127/PB</i> | heavy duty mortice tubular latch - 127mm case depth - 100mm backset | pol. brass |
| <i>DEG4060/127/SS</i> | heavy duty mortice tubular latch - 127mm case depth - 100mm backset | sat. stainless steel |
| <i>DEG4060/151/PB</i> | heavy duty mortice tubular latch - 151mm case depth - 130mm backset | pol. brass |
| <i>DEG4060/151/SS</i> | heavy duty mortice tubular latch - 151mm case depth - 130mm backset | sat. stainless steel |

| | |
|------------|---|
| Case: | steel - epoxy polyester powder coated |
| Latchbolt: | brass |
| Follower: | 8mm brass - chrome plated, heavy sprung for use on un-sprung door furniture |

Supplied complete with fixings and strike plate.

D&E mortice privacy deadbolt

| | | |
|----------------|------|--|
| CI/SfB | | |
| 31/59 | Xt 7 | |
| September 2007 | | |



D&E mortice privacy deadbolt

DE404/52 D&E mortice privacy deadbolt saa

Case: bright zinc plated

Case size: 55 x 78 x 13mm

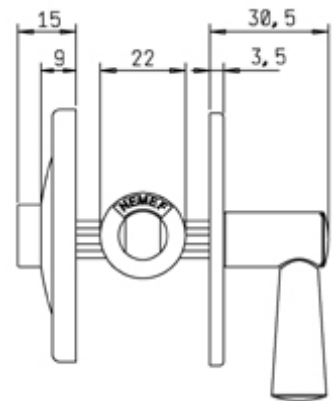
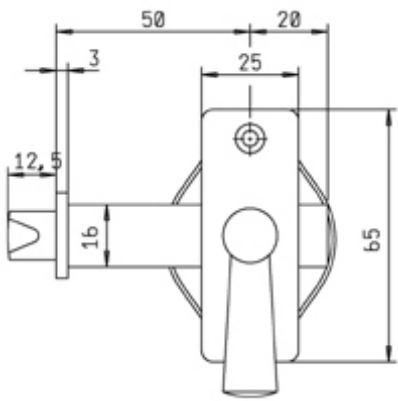
Follower: 8mm

Deadbolt: polished brass shoot

Suitable for use with Bezault thumbturn / indicator 6420/WC.

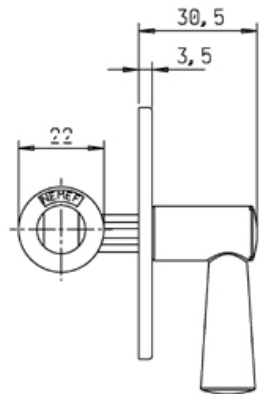
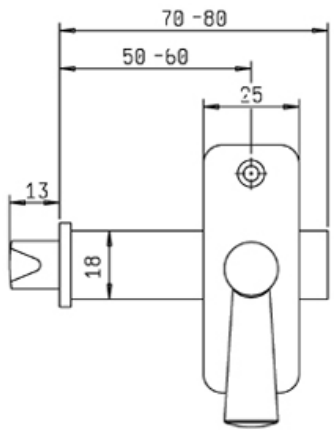
D&E mortice wc indicator / privacy bolt

| | | |
|----------------|------|--|
| CI/SfB | | |
| 31/59 | Xt 7 | |
| September 2007 | | |



D&E wc indicator lock - DE2710/4.

Backset: 50mm
 Tube: 70 x 17.5mm diameter.
 SAA thumbturn and indicator.
 (brassed version available to order)
 Polished brass shoot.
 Emergency release.



D&E mortice door bolt - DE2610/4.

Backset: 50mm
 Tube: 70 x 17.5mm diameter
 SAA thumbturn.
 (brassed version available to order)
 Polished brass shoot.



| | | |
|----------------|-------|------|
| CI/SfB | 31/59 | Xt 7 |
| September 2007 | | |



D&E hook spindle - DESP5001/65

For use on applications where a lever is installed on one side of the door only. The hook is secured by tightening the grub screw located down the centre of the spindle.

DESP5001/65 hook spindle - 65mm

Door thickness: 50 - 55mm
Diameter: 8mm

Supplied complete with allen key.

Suitable for use with any D&E lockcase with an 8mm through follower.



D&E half spindle - PVCu handles

For use with PVCu handles with a bolt through fixing - lever / offset lever or pad.

DESP5011/55 half spindle - 55mm

DESP5011/65 half spindle - 65mm

DESP5011/75 half spindle - 75mm

Diameter: 8mm

Supplied complete with allen key.

Suitable for use with any D&E lockcase with an 8mm through follower.

D&E split spindle

For use on applications where anti-panic locks with a 8mm split follower are installed.



DESP5002/100 8mm split spindle - 50 / 50mm

DESP5003/100 9mm split spindle - 50 / 50mm

Door thickness: 54mm

D&E split spindle - PVCu handles

For use with PVCu handles with a bolt through fixing - lever / lever or pad.

Primarily for use on nightlatch multi-point locks.



DESP5004/120 8mm split spindle - 55 / 65mm

Door thickness: 70mm

D&E pitts mortice spindle

For use on applications where a set of levers or knob furniture is used which rely on the rose or backplate fixings to secure them to the door.

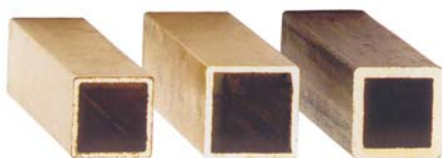
This spindle is highly recommended for use on handles for PVCu and Aluminium applications.



- DESP5005/150* 5mm pitts mortice spindle - 150mm
- DESP5007/150* 7mm pitts mortice spindle - 150mm
- DESP5008/150* 8mm pitts mortice spindle - 150mm
- DESP5009/150* 9mm pitts mortice spindle - 150mm

All above D&E Pitts mortice spindles will suit a door thickness up to 90mm

D&E spindle sleeve range.



- DERBSL58* spindle sleeve 5mm up to 8mm
- DERBSL67* spindle sleeve 6mm up to 7mm
- DERBSL68* spindle sleeve 6mm up to 8mm
- DERBSL78* spindle sleeve 7mm up to 8mm
- DERBSL89* spindle sleeve 8mm up to 9mm

Dimensions: 10 - 15mm standard length

Packaging: each

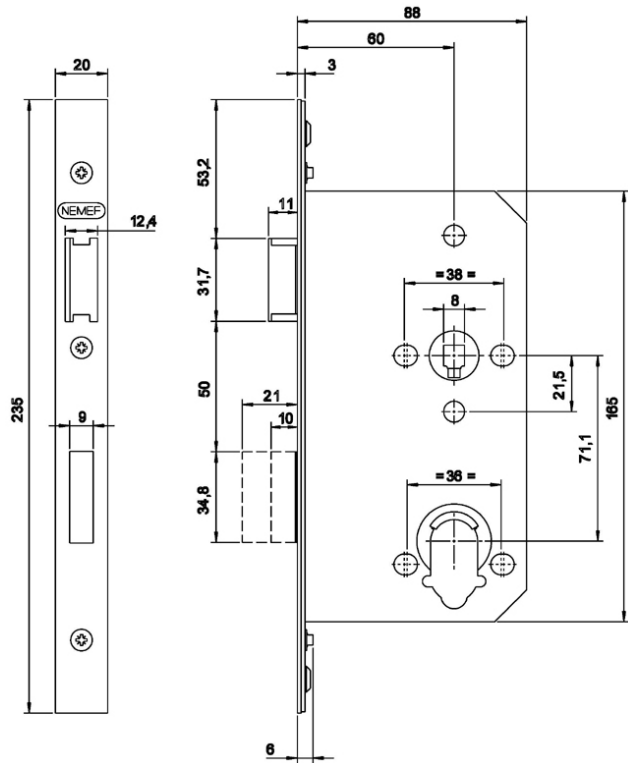
- DERBSL58/1* spindle sleeve 5mm up to 8mm
- DERBSL67/1* spindle sleeve 6mm up to 7mm
- DERBSL68/1* spindle sleeve 6mm up to 8mm
- DERBSL78/1* spindle sleeve 7mm up to 8mm

Dimensions: 1 metre length

Packaging: each

D&E 6100 series lockcases - extra heavy duty

| | | |
|----------------|------|--|
| CI/SfB | | |
| 31/59 | Xt 7 | |
| September 2007 | | |



European style reversible lockcase range to suit euro profile & oval profile cylinders. Dimensions to DIN 18251, class 3.

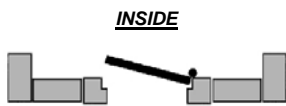


Fig. 1 - Left Hand - Open In

DE6102/17/1LH

anti-panic lockcase - 60mm backset - split follower - fig. 1 - sqfe sat. stainless steel

DE6102/5/1LH/SB

anti-panic lockcase - 60mm backset - split follower - fig. 1 - sqfe sat. brass

DE6102/6/1LH/PB

anti-panic lockcase - 60mm backset - split follower - fig. 1 - sqfe pol. brass

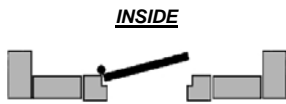


Fig. 2 - Right Hand - Open In

DE6102/17/2RH

anti-panic lockcase - 60mm backset - split follower - fig. 2 - sqfe sat. stainless steel

DE6102/5/2RH/SB

anti-panic lockcase - 60mm backset - split follower - fig. 2 - sqfe sat. brass

DE6102/6/2RH/PB

anti-panic lockcase - 60mm backset - split follower - fig. 2 - sqfe pol. brass

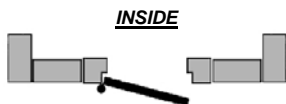


Fig. 3 - Left Hand - Open Out

DE6102/17/3LH

anti-panic lockcase - 60mm backset - split follower - fig. 3 - sqfe sat. stainless steel

DE6102/5/3LH/SB

anti-panic lockcase - 60mm backset - split follower - fig. 3 - sqfe sat. brass

DE6102/6/3LH/PB

anti-panic lockcase - 60mm backset - split follower - fig. 3 - sqfe pol. brass

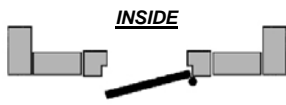


Fig. 4 - Right Hand - Open Out

DE6102/17/4RH

anti-panic lockcase - 60mm backset - split follower - fig. 4 - sqfe sat. stainless steel

DE6102/5/4RH/SB

anti-panic lockcase - 60mm backset - split follower - fig. 4 - sqfe sat. brass

DE6102/6/4RH/PB

anti-panic lockcase - 60mm backset - split follower - fig. 4 - sqfe pol. brass

DE6102/17/1PCE/LH

anti-panic lockcase - 60mm backset - split follower - fig 1/3 - sqfe sat. stainless steel

D&E 6100 series lockcases - extra heavy duty

| | | |
|----------------|------|--|
| CI/SfB | | |
| 31/59 | Xt 7 | |
| September 2007 | | |

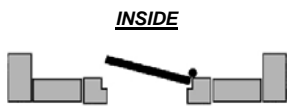


Fig. 1 - Left Hand - Open In

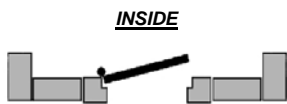


Fig. 2 - Right Hand - Open In

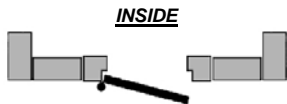


Fig. 3 - Left Hand - Open Out

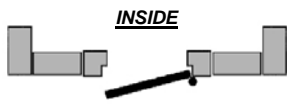


Fig. 4 - Right Hand - Open Out

| | | |
|-------------------|--|----------------------|
| DE6102/17/1PCE/RH | anti-panic lockcase - 60mm backset - through follower - fig 2/4 - sqfe | sat. stainless steel |
| DE6102/5/1PCE/LH | anti-panic lockcase - 60mm backset - through follower - fig 1/3 - sqfe | sat. brass |
| DE6102/5/1PCE/RH | anti-panic lockcase - 60mm backset - through follower - fig 2/4 - sqfe | sat brass |
| DE6102/6/1PCE/LH | anti-panic lockcase - 60mm backset - through follower - fig 1/3 - sqfe | pol. brass |
| DE6102/6/1PCE/RH | anti-panic lockcase - 60mm backset - through follower - fig 2/4 - sqfe | pol. brass |

Operation: lever operation retracts the latchbolt and deadbolt from the relevant handed side at all times - see handings below

Handings: Fig 1: open in anti-clockwise close
 Fig 2: open in clockwise close
 Fig 3: open out anti-clockwise close
 Fig 4: open out clockwise close

| | | |
|-------------|---|----------------------|
| DE6104/17 | bathroom lock (8/8mm followers) - 60mm backset - sqfe | sat. stainless steel |
| DE6104/5/SB | bathroom lock (8/8mm followers) - 60mm backset - sqfe | sat. brass |
| DE6104/6/PB | bathroom lock (8/8mm followers) - 60mm backset - sqfe | pol. brass |
| DE6105/17 | latch - 60mm backset - sqfe | sat. stainless steel |
| DE6105/5/SB | latch - 60mm backset - sqfe | sat. brass |
| DE6105/6/PB | latch - 60mm backset - sqfe | pol. brass |
| DE6106/17 | nightlatch with holdback function - 60mm backset - sqfe | sat. stainless steel |
| DE6106/5/SB | nightlatch with holdback function - 60mm backset - sqfe | sat. brass |
| DE6106/5/PB | nightlatch with holdback function - 60mm backset - sqfe | pol. brass |
| DE6107/17 | nightlatch - 60mm backset - sqfe | sat. stainless steel |
| DE6107/5/SB | nightlatch - 60mm backset - sqfe | sat. brass |
| DE6107/6/PB | nightlatch - 60mm backset - sqfe | pol. brass |
| DE6108/17 | deadlock - 60mm backset - sqfe | sat. stainless steel |
| DE6108/5/SB | deadlock - 60mm backset - sqfe | sat. brass |
| DE6108/6/PB | deadlock - 60mm backset - sqfe | sat. brass |
| DE6109/17 | sashlock - 60mm backset - sqfe | sat. stainless steel |
| DE6109/5/SB | sashlock - 60mm backset - sqfe | sat. brass |
| DE6109/6/PB | sashlock - 60mm backset - sqfe | pol. brass |

Case: zinc plated white lacquered

Centres: profile cylinder: 72mm
 wc: 78mm

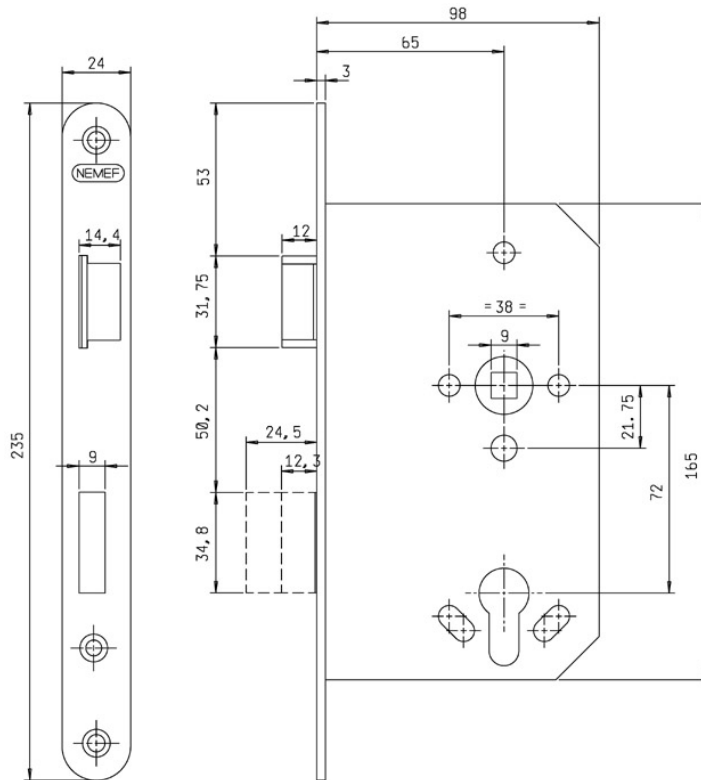
Deadbolt: 20mm double throw, die cast - nickel plated

Follower: 8mm, brass with spring grip, heavy sprung to suit unsprung door furniture - through follower unless otherwise stated

Latchbolt: reversible, die cast - nickel plated.

Supplied complete with fixings and strike plate.

NOTE:- 13mm & 25mm rebate sets are available to order



European style anti-panic lockcase to suit euro profile cylinders.
Tested to DIN 18250.

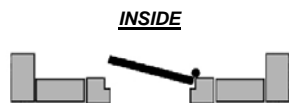


Fig. 1 - Left Hand - Open In

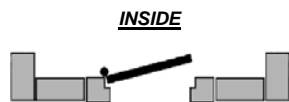


Fig. 2 - Right Hand - Open In

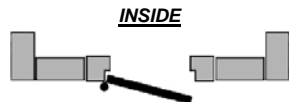


Fig. 3 - Left Hand - Open Out

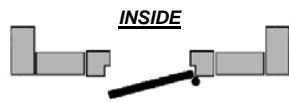


Fig. 4 - Right Hand - Open Out

DE1769/77/1LH

DE1769/77/2RH

DE1769/56/3LH

DE1769/56/4RH

DE1769/35/1PCE/LH

DE1769/35/1PCE/RH

anti-panic lockcase - 65mm backset - split follower - rfe sat. stainless steel
 anti-panic lockcase - 65mm backset - split follower - rfe sat. stainless steel
 anti-panic lockcase - 65mm backset - split follower - rfe sat. stainless steel
 anti-panic lockcase - 65mm backset - split follower - rfe sat. stainless steel
 anti-panic lockcase - 65mm backset - split follower - rfe sat. stainless steel
 anti-panic lockcase - 65mm backset - through follower - rfe sat. stainless steel
 anti-panic lockcase - 65mm backset - through follower - rfe sat. stainless steel

Case:

galvanised

Centres:

profile cylinder: 72mm

Deadbolt:

24.5mm, cast steel - zinc plated.

Follower:

9mm heavy sprung to suit unsprung door furniture.

Latchbolt:

handed, cast steel - chrome plated.

Operation:

lever operation from the inside retracts the latchbolt and deadbolt at all times. External key operation retracts the deadbolt only, lever handle operation retracts the latchbolt.

Handings:

See diagram and / or overleaf

D&E 1769 series anti-panic lockcase

| | | |
|----------------|------|--|
| CI/SfB | | |
| 31/59 | Xt 7 | |
| September 2007 | | |

Handings:

- Fig 1: open in anti-clockwise close
- Fig 2: open in clockwise close
- Fig 3: open out anti-clockwise close
- Fig 4: open out clockwise close

Strike plates or box strikes available to order.

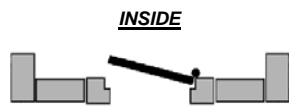


Fig. 1 - Left Hand - Open In

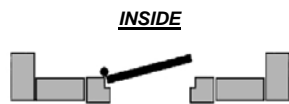


Fig. 2 - Right Hand - Open In

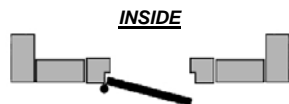


Fig. 3 - Left Hand - Open Out

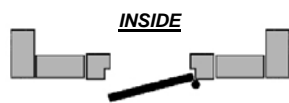
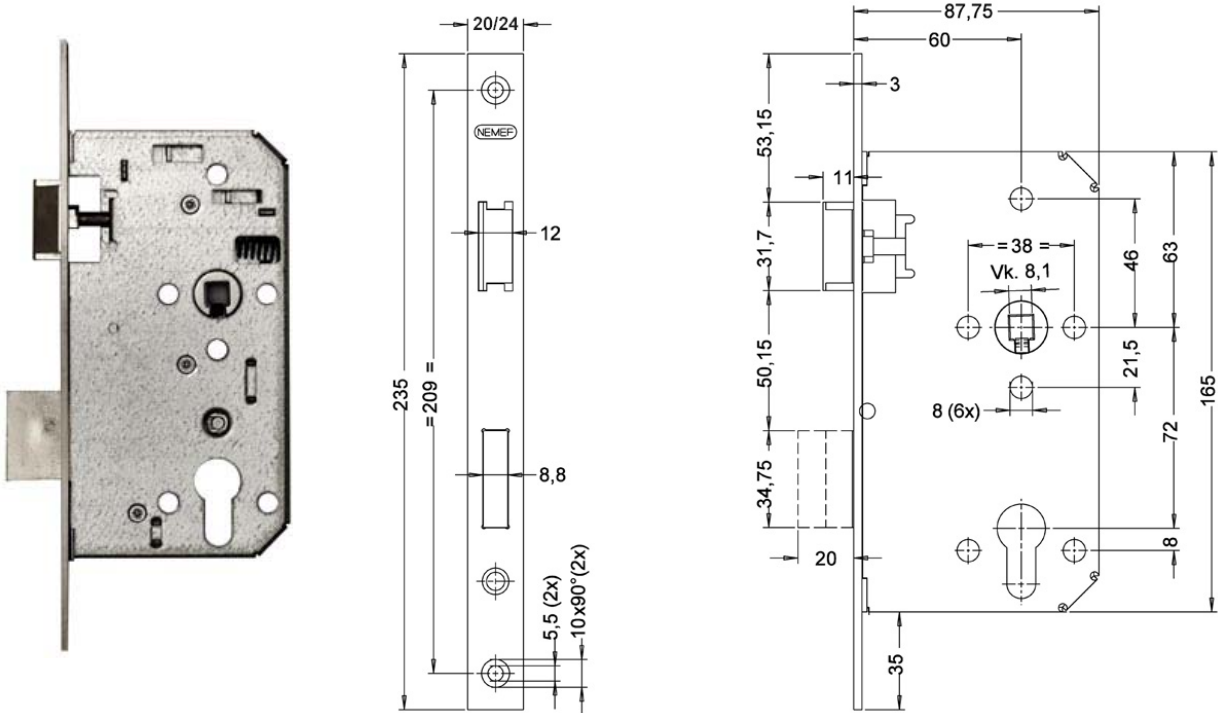


Fig. 4 - Right Hand - Open Out

D&E 6600 series lockcases - heavy duty

| | | |
|----------------|------|--|
| CI/SfB | | |
| 31/59 | Xt 7 | |
| September 2007 | | |



European style reversible lockcase range to suit euro profile cylinders.
Dimensions to DIN 18251, class 3.

| | | |
|---------------------|--|----------------------|
| <i>DE6602/60/32</i> | sashlock - 60mm backset - 20mm sqfe | sat. stainless steel |
| <i>DE6602/60/36</i> | sashlock - 60mm backset - 24mm sqfe | sat. stainless steel |
| <i>DE6622/60/32</i> | deadlock - 60mm backset - 20mm sqfe | sat. stainless steel |
| <i>DE6622/60/36</i> | deadlock - 60mm backset - 24mm sqfe | sat. stainless steel |
| <i>DE6632/60/32</i> | latch lock - 60mm backset - 20mm sqfe | sat. stainless steel |
| <i>DE6632/60/36</i> | latch lock - 60mm backset - 24mm sqfe | sat. stainless steel |
| <i>DE6642/60/32</i> | bathroom lock (8/8mm followers) - 60mm backset - 20mm sqfe | sat. stainless steel |
| <i>DE6642/60/36</i> | bathroom lock (8/8mm followers) - 60mm backset - 20mm sqfe | sat. stainless steel |

Case: galvanised.

Centres: profile cylinder: 72mm
wc: 78mm

Deadbolt: 20mm double throw, die cast - nickel plated.

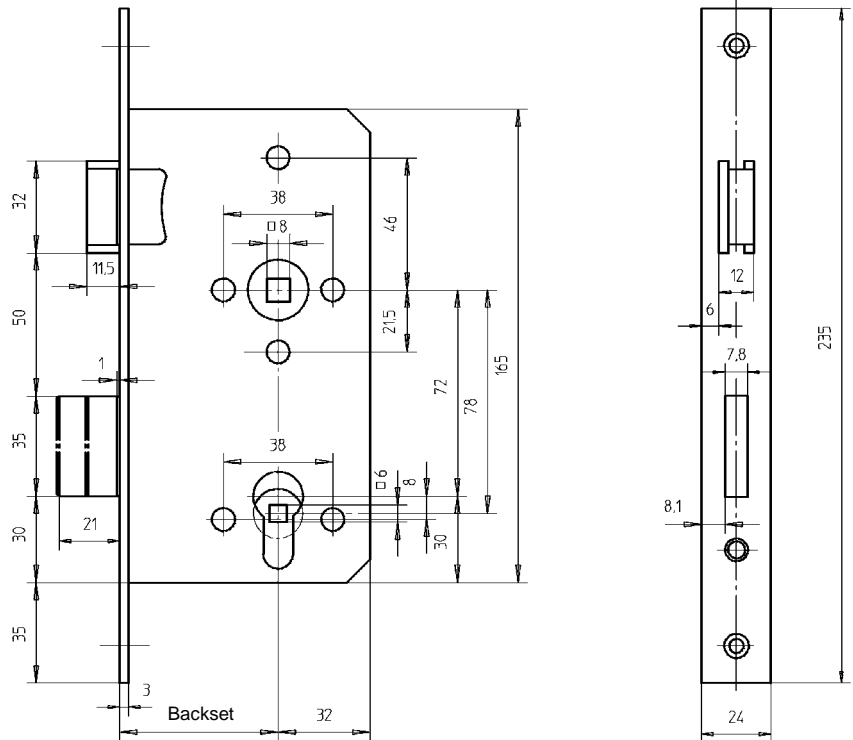
Follower: 8mm, brass with spring grip, heavy sprung to suit unsprung door furniture.

Latchbolt: reversible, die cast - nickel plated.

Supplied complete with fixings and strike plate.

D&E 17688 series lockcases - heavy duty

| | | |
|----------------|------|--|
| CI/SfB | | |
| 31/59 | Xt 7 | |
| September 2007 | | |



European style reversible lockcase range to suit both profile cylinders.
Tested to DIN 18251, class 3.

| | | |
|--------------------------|--|----------------------|
| <i>DE17688FW/55/216</i> | nightlatch - 55mm backset - sqfe | sat. stainless steel |
| <i>DE17688FW/55/216R</i> | nightlatch - 55mm backset - rfe | sat. stainless steel |
| <i>DE17688WO/55/216</i> | sashlock - 55mm backset - sqfe | sat. stainless steel |
| <i>DE17688WO/55/216R</i> | sashlock - 55mm backset - rqfe | sat. stainless steel |
| <i>DE17688RO/55/216</i> | deadlock - 55mm backset - sqfe | sat. stainless steel |
| <i>DE17688RO/55/216R</i> | deadlock - 55mm backset - rfe | sat. stainless steel |
| <i>DE14288OO/55/216</i> | bathroom lock - 8 / 8mm - 55mm backset - sqfe | sat. stainless steel |
| <i>DE14288OO/55/216R</i> | bathroom lock - 8 / 8mm - 55mm backset - rfe | sat. stainless steel |
| | | |
| <i>DE17688FW/65/216</i> | nightlatch - 65mm backset - sqfe | sat. stainless steel |
| <i>DE17688FW/65/216R</i> | nightlatch - 65mm backset - rfe | sat. stainless steel |
| <i>DE17688WO/65/216</i> | sashlock - 65mm backset - sqfe | sat. stainless steel |
| <i>DE17688WO/65/216R</i> | sashlock - 65mm backset - rqfe | sat. stainless steel |
| <i>DE17688RO/65/216</i> | deadlock - 65mm backset - sqfe | sat. stainless steel |
| <i>DE17688RO/65/216R</i> | deadlock - 65mm backset - rfe | sat. stainless steel |
| <i>DE14288OO/65/216</i> | bathroom lock - 8 / 8mm - 65mm backset - sqfe | sat. stainless steel |
| <i>DE14288OO/65/216R</i> | bathroom lock - 8 / 8mm - 65mm backset - rfe | sat. stainless steel |
| | | |
| Case: | galvanised. | |
| Backset: | 55 / 60 / 65 / 70 & 80mm <i>Other backsets are available - please contact the sales team for details</i> <i>(backsets shown in bold are standard stock lines)</i> | |

D&E 17688 series lockcases - heavy duty

| | | |
|----------------|------|--|
| CI/SfB | | |
| 31/59 | Xt 7 | |
| September 2007 | | |



Centres: profile cylinder: 72mm
wc: 78mm

Deadbolt: 20mm double throw, cast steel - nickel plated.

Follower: 8mm, brass with pinch grip in bearings, heavy sprung to suit unsprung door furniture.

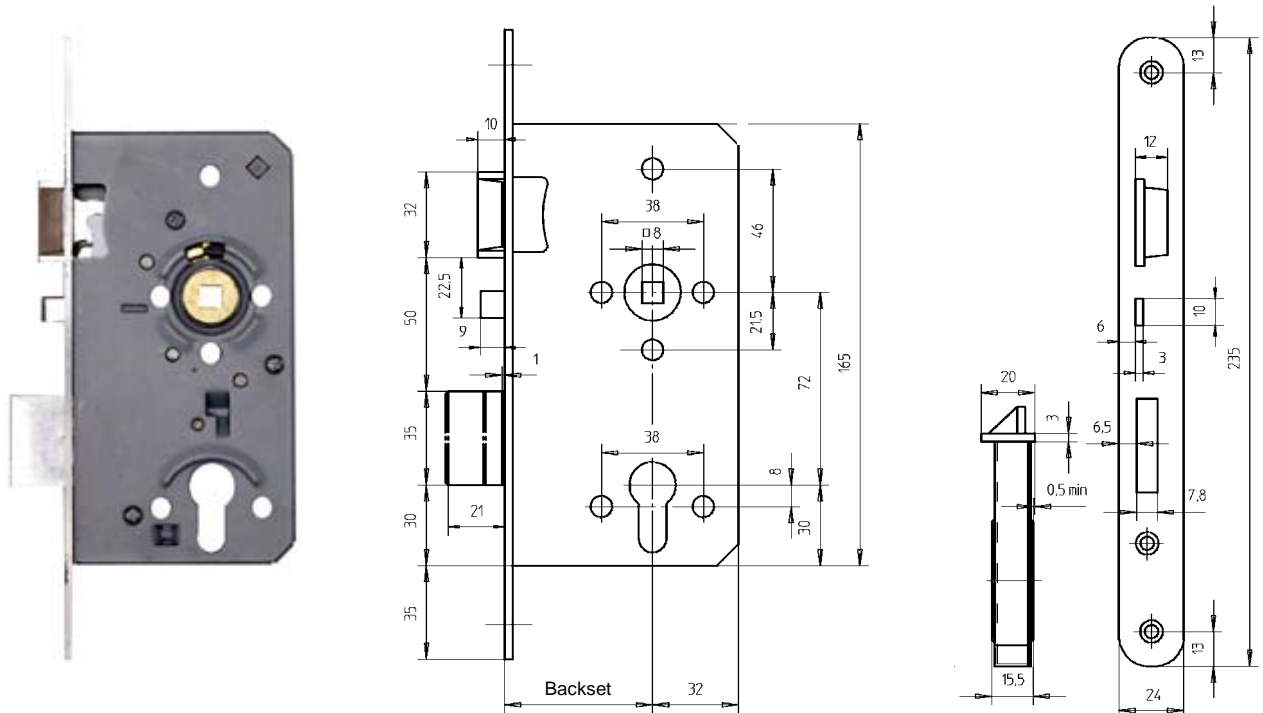
Latchbolt: reversible, cast steel - nickel plated.

Supplied complete with fixings and strike plate.

NOTE:- 13mm & 25mm rebate sets are available to order

D&E 17570 series anti-thrust lockcases

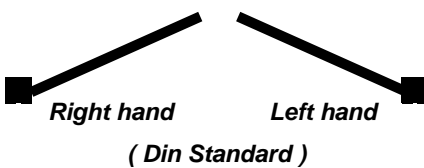
| | | |
|----------------|------|--|
| CI/SfB | | |
| 31/59 | Xt 7 | |
| September 2007 | | |



European style anti-thrust lockcase range to suit euro profile cylinders.
Tested to DIN 18251, class 3.

| | | |
|------------------------------|---|----------------------|
| <i>DE17470FW/55/216 LH</i> | nightlatch with anti-thrust - 55mm backset - sqfe - left hand | sat. stainless steel |
| <i>DE17570FW/55/216R /LH</i> | nightlatch with anti-thrust - 55mm backset - rfe - left hand | sat. stainless steel |
| <i>DE17470WO/55/216 RH</i> | sashlock with anti-thrust - 55mm backset - sqfe - right hand | sat. stainless steel |
| <i>DE17570WO/55/216R /RH</i> | sashlock with anti-thrust - 55mm backset - rfe - right hand | sat. stainless steel |
| <i>DE17470FW/65/216 LH</i> | nightlatch with anti-thrust - 65mm backset - sqfe - left hand | sat. stainless steel |
| <i>DE17570FW/65/216R /LH</i> | nightlatch with anti-thrust - 65mm backset - rfe - left hand | sat. stainless steel |
| <i>DE17470WO/65/216 RH</i> | sashlock with anti-thrust - 65mm backset - sqfe - right hand | sat. stainless steel |
| <i>DE17570WO/65/216R /RH</i> | sashlock with anti-thrust - 65mm backset - rfe - right hand | sat. stainless steel |

| | |
|-----------|--|
| Case: | galvanised |
| Backset: | 55 / 60 / 65 / 70 / 80mm <i>Other backsets are available - please contact the sales team for details</i> <i>(backsets shown in bold are standard stock lines)</i> |
| Centres: | profile cylinder: 72mm |
| Deadbolt: | 21mm double throw, cast steel - nickel plated. |
| Follower: | 8mm, brass, heavy sprung to suit unsprung door furniture. |



Sales: 01733 896123



J-1008

Fax: 01733 894466

E&OE

D&E 17570 series anti-thrust lockcases

| | | |
|----------------|------|--|
| CI/SfB | | |
| 31/59 | Xt 7 | |
| September 2007 | | |

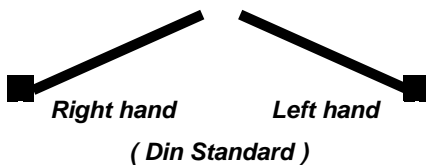


Latchbolt: handed, cast mazak.

Supplied complete with fixings and strike plate.

Special Option: Whisper comfort - silent latch operation available to order.

NOTE:- 13mm & 25mm rebate sets are available to order



Sales: 01733 896123



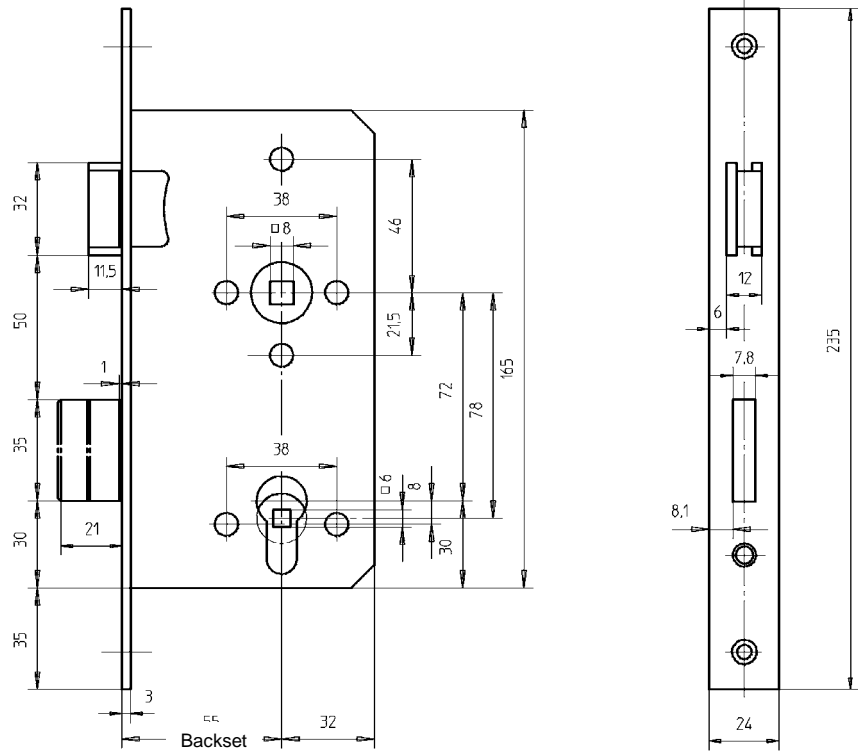
J-1009

Fax: 01733 894466

E&OE

D&E 17588 series lockcases - medium duty

| | | |
|----------------|------|--|
| CI/SfB | | |
| 31/59 | Xt 7 | |
| September 2007 | | |



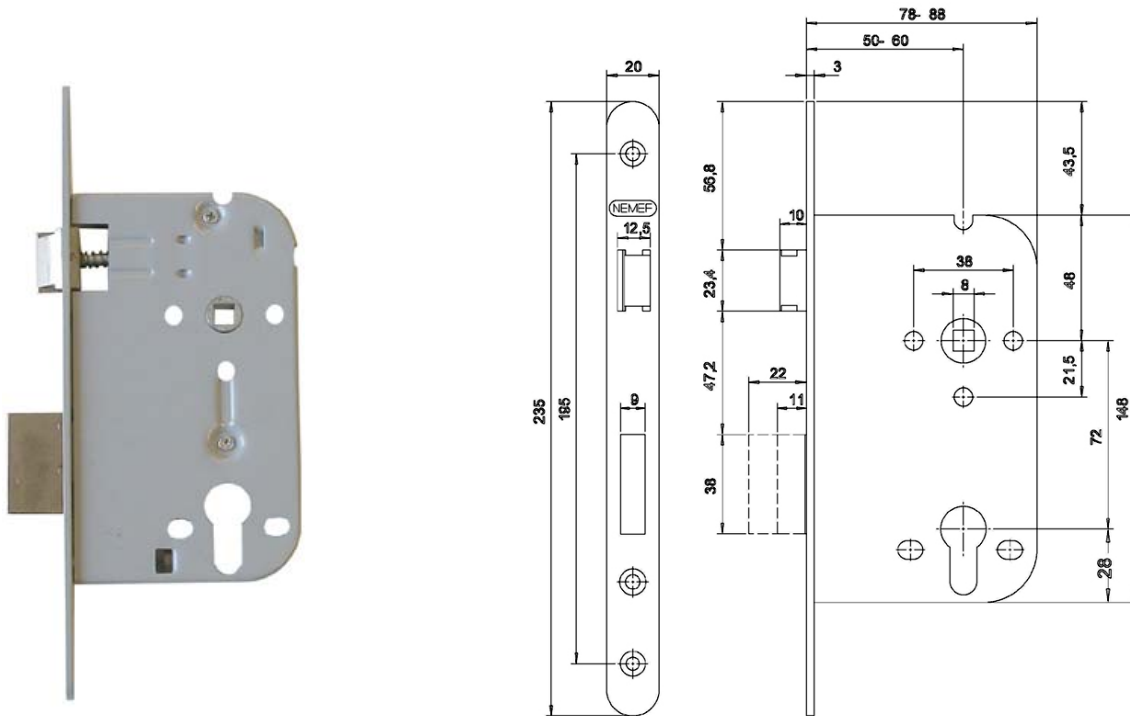
European style reversible lockcase range to suit profile cylinders.
Tested to DIN 18251, class 3.

| | | |
|-------------------|---|----------------------|
| DE17588FW55/2 16 | nightlatch - 55mm backset - sqfe | sat. stainless steel |
| DE17588WO/55/2 16 | sashlock - 55mm backset - sqfe | sat. stainless steel |
| DE17588RO/55/2 16 | deadlock - 55mm backset - sqfe | sat. stainless steel |
| DE14188OO/55/2 16 | bathroom lock - 8 / 8mm - 55mm backset - sqfe | sat. stainless steel |

| | | |
|------------|---|------|
| Case: | galvanised. | |
| Centres: | profile cylinder: | 72mm |
| | wc: | 78mm |
| Deadbolt: | 20mm double throw, cast steel - nickel plated. | |
| Follower: | 8mm with steel inserts, heavy sprung to suit unsprung door furniture. | |
| Latchbolt: | reversible, cast mazak. | |

Supplied complete with fixings and strike plate.

NOTE:- 13mm & 25mm rebate sets are available to order



European style reversible lockcase range to suit euro profile cylinders.
Dimensions to DIN 18251, class 1.

| | | |
|----------|--|----------------------|
| DE344/SS | bathroom lock (8/8mm followers) - 60mm backset - rfe | sat. stainless steel |
| DE345/SS | latch - 60mm backset - rfe | sat. stainless steel |
| DE348/SS | deadlock - 60mm backset - rfe | sat. stainless steel |
| DE349/SS | sashlock - 60mm backset - rfe | sat. stainless steel |

Case: steel, grey lacquered.

Centres: profile cylinder: 72mm
wc: 78mm

Deadbolt: 20mm double throw, die cast - nickel plated.

Follower: 8mm, die-cast zinc plated.

Latchbolt: reversible, die cast - nickel plated.

Supplied complete with fixings and strike plate.



D&E contractors cylinder plug

The D&E cylinder plug is available in ten (10) differs. It is designed so that the contractor can limit access to, or secure a room until the cylinders arrive. Installation / removal is achieved in the same manner as a euro profile cylinder.

| | |
|---------------|---------------|
| DE7460/401/1 | key series 1 |
| DE7460/401/2 | key series 2 |
| DE7460/401/3 | key series 3 |
| DE7460/401/4 | key series 4 |
| DE7460/401/5 | key series 5 |
| DE7460/401/6 | key series 6 |
| DE7460/401/7 | key series 7 |
| DE7460/401/8 | key series 8 |
| DE7460/401/9 | key series 9 |
| DE7460/401/10 | key series 10 |

Operation: the key acts as a cylinder cam and operates the lock as a normal profile cylinder does.

Also available is a conversion plug to convert a euro profile lockcase to a wc function - 6mm follower incorporated - DE57100

This contractors cylinder insert is to be used as a temporary cylinder and should not be used in lieu of a permanent cylinder

D&E hook spindle - DESP5001/65



For use on applications where a lever is installed on one side of the door only. The hook is secured by tightening the grub screw located down the centre of the spindle.

DESP5001/65 hook spindle - 65mm

Door thickness: 50 - 55mm
Diameter: 8mm

Supplied complete with allen key.

Suitable for use with any D&E lockcase with an 8mm through follower.

D&E half spindle - PVCu handles



For use with PVCu handles with a bolt through fixing - lever / offset lever or pad.

DESP5011/55 half spindle - 55mm

DESP5011/65 half spindle - 65mm

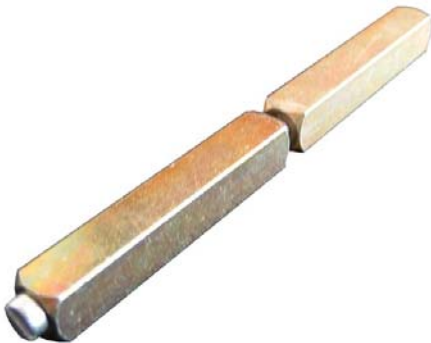
DESP5011/75 half spindle - 75mm

Diameter: 8mm

Supplied complete with allen key.

Suitable for use with any D&E lockcase with an 8mm through follower.

D&E split spindle



For use on applications where anti-panic locks with a 8mm split follower are installed.

DESP5002/100 8mm split spindle - 50 / 50mm

DESP5003/100 9mm split spindle - 50 / 50mm

Door thickness: 54mm

| | | |
|-------------|-------|------|
| CI/SfB | 31/59 | Xt 7 |
| August 2011 | | |



D&E split spindle - PVCu handles

For use with PVCu handles with a bolt through fixing - lever / lever or pad.

Primarily for use on nightlatch multi-point locks.

DESP5004/120 8mm split spindle - 55 / 65mm

D&E Pitts mortice spindle



For use on applications where a set of levers or knob furniture is used which rely on the rose or backplate fixings to secure them to the door.

This spindle is highly recommended for use on handles for PVCu and Aluminium applications.

DESP5005/150 5mm pitts mortice spindle - 150mm

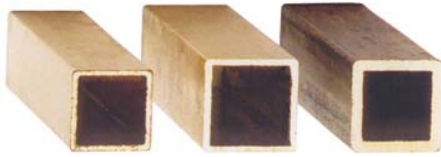
DESP5007/150 7mm pitts mortice spindle - 150mm

DESP5008/150 8mm pitts mortice spindle - 150mm

DESP5009/150 9mm pitts mortice spindle - 150mm

All above D&E Pitts mortice spindles will suit a door thickness of 90mm

D&E spindle sleeve range.



DERBSL58 spindle sleeve 5mm up to 8mm
DERBSL67 spindle sleeve 6mm up to 7mm
DERBSL68 spindle sleeve 6mm up to 8mm
DERBSL78 spindle sleeve 7mm up to 8mm
DERBSL89 spindle sleeve 8mm up to 9mm

Dimensions: 10 - 15mm standard length

Packaging: each

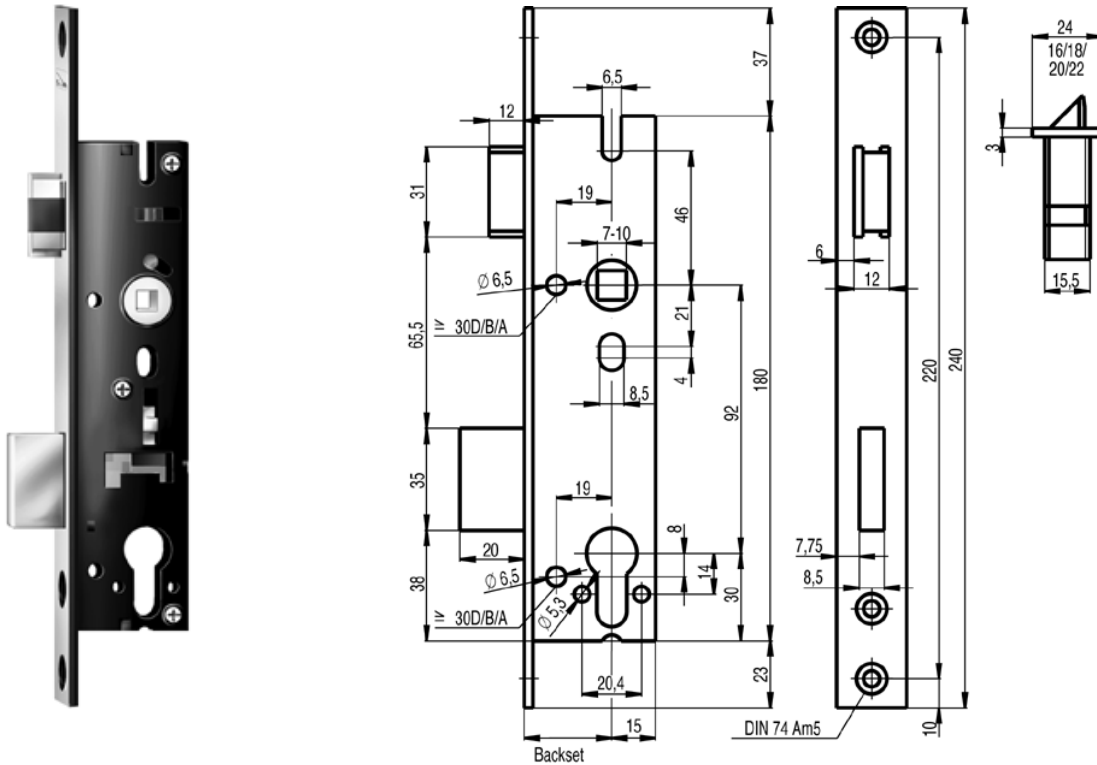
DERBSL58/1 spindle sleeve 5mm up to 8mm
DERBSL67/1 spindle sleeve 6mm up to 7mm
DERBSL68/1 spindle sleeve 6mm up to 8mm
DERBSL78/1 spindle sleeve 7mm up to 8mm

Dimensions: 1 metre length

Packaging: each

D&E 18401 narrow stile lockcase

| | | |
|----------------|-------|------|
| CI/SfB | 31/59 | Xt 7 |
| September 2007 | | |



Heavy duty narrow stile reversible lockcase to suit euro profile cylinders.

| | | |
|------------------|--|----------------------|
| DE18401WO/30/216 | sashlock with whisper comfort - 30mm backset - sqfe | sat. stainless steel |
| DE18401WO/35/216 | sashlock with whisper comfort - 35mm backset - sqfe | sat. stainless steel |
| DE18401WO/40/216 | sashlock with whisper comfort - 40mm backset - sqfe | sat. stainless steel |

Case: galvanised

Backset: 25 / 27 / **30** / 33 / **35** / 38 / **40** / 45mm
(backsets shown in bold are standard stock lines - other backsets are available to special order)

Centres: profile cylinder: 92mm

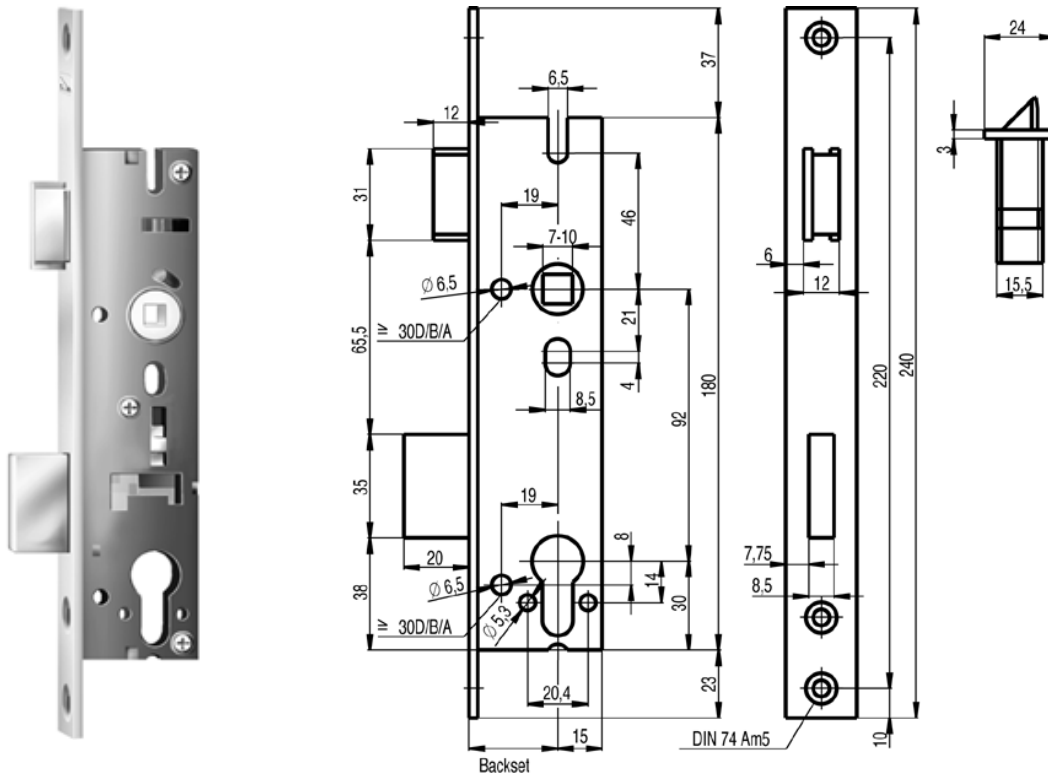
Deadbolt: 20mm single throw, cast steel - nickel plated with anti-saw protection

Follower: 8mm with pinch grips, heavy sprung to suit unsprung door furniture

Latchbolt: reversible, self lubricating, cast steel - nickel plated with nylon insert

D&E 18407 narrow stile lockcase

| | | |
|----------------|------|--|
| CI/SfB | | |
| 31/59 | Xt 7 | |
| September 2007 | | |



Heavy duty narrow stile reversible lockcase to suit euro profile cylinders.

| | | |
|------------------|--------------------------------|----------------------|
| DE18407WO/30/216 | sashlock - 30mm backset - sqfe | sat. stainless steel |
| DE18407WO/30/235 | sashlock - 30mm backset - sqfe | zinc plated |
| DE18407WO/35/216 | sashlock - 35mm backset - sqfe | sat. stainless steel |
| DE18407WO/35/235 | sashlock - 35mm backset - sqfe | zinc plated |
| DE18407WO/40/216 | sashlock - 40mm backset - sqfe | sat. stainless steel |
| DE18407WO/40/235 | sashlock - 40mm backset - sqfe | zinc plated |
| DE18407WO/45/216 | sashlock - 45mm backset - sqfe | sat. stainless steel |
| DE18407WO/45/235 | sashlock - 45mm backset - sqfe | zinc plated |

Case: galvanised

Backset: 25 / 27 / **30** / 33 / **35** / 38 / **40** / 45mm
(backsets shown in bold are standard stock lines - other backsets are available to special order)

Centres: profile cylinder: 92mm

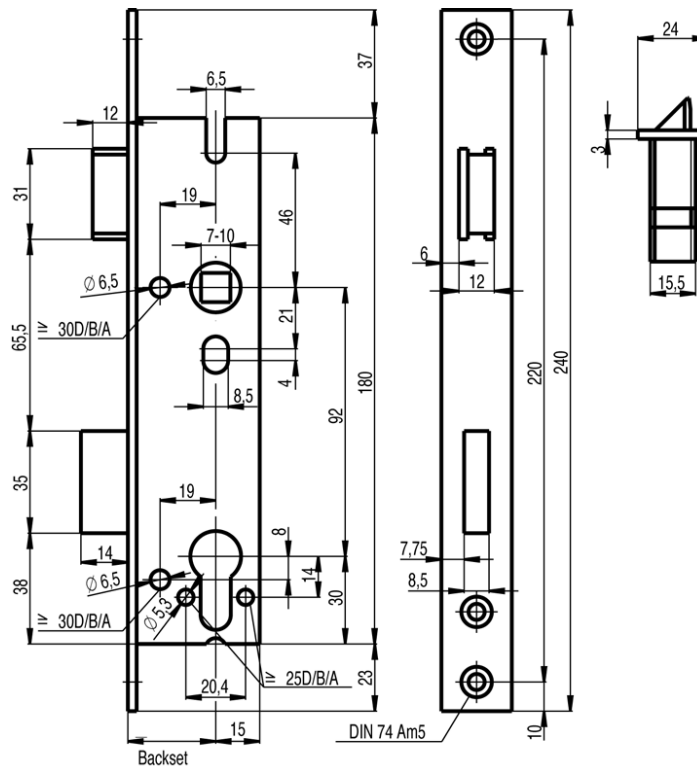
Deadbolt: 20mm single throw, cast steel - nickel plated

Follower: 8mm heavy sprung to suit unsprung door furniture

Latchbolt: reversible, cast steel - nickel plated

D&E 18405 narrow stile lockcase

| | | |
|----------------|-------|------|
| CI/SfB | 31/59 | Xt 7 |
| September 2007 | | |



Heavy duty narrow stile reversible lockcase to suit euro profile cylinders.

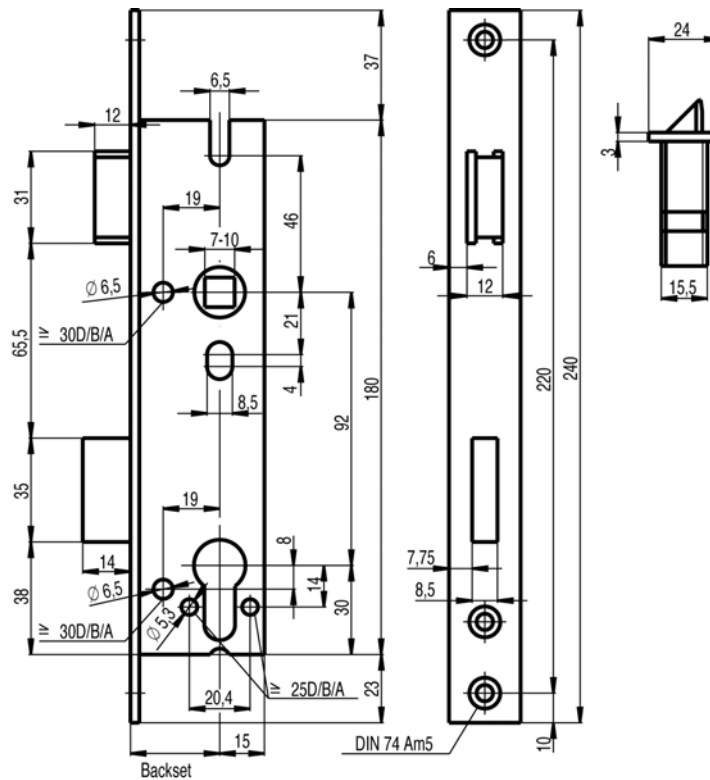
| | | |
|------------------|--------------------------------|----------------------|
| DE18405WO/20/216 | sashlock - 20mm backset - sqfe | sat. stainless steel |
| DE18405WO/20/235 | sashlock - 20mm backset - sqfe | zinc plated |
| DE18405WO/25/216 | sashlock - 25mm backset - sqfe | sat. stainless steel |
| DE18405WO/25/235 | sashlock - 25mm backset - sqfe | zinc plated |
| DE18405WO/27/216 | sashlock - 27mm backset - sqfe | sat. stainless steel |
| DE18405WO/27/235 | sashlock - 27mm backset - sqfe | zinc plated |
| DE18405WO/30/216 | sashlock - 30mm backset - sqfe | sat. stainless steel |
| DE18405WO/30/235 | sashlock - 30mm backset - sqfe | zinc plated |
| DE18405WO/35/216 | sashlock - 35mm backset - sqfe | sat. stainless steel |
| DE18405WO/35/235 | sashlock - 35mm backset - sqfe | zinc plated |
| DE18405WO/40/216 | sashlock - 40mm backset - sqfe | sat. stainless steel |
| DE18405WO/40/235 | sashlock - 40mm backset - sqfe | zinc plated |
| DE18405WO/45/216 | sashlock - 45mm backset - sqfe | sat. stainless steel |
| DE18405WO/45/235 | sashlock - 45mm backset - sqfe | zinc plated |

| | |
|------------|---|
| Case: | galvanised |
| Backset: | 18 / 20 / 22 / 25 / 27 / 30 / 33 / 35 / 38 / 40 / 45 mm (backsets shown in bold are standard stock lines - other backsets are available to special order) |
| Centres: | profile cylinder: 92mm |
| Deadbolt: | 14mm single throw, cast steel - nickel plated |
| Follower: | 8mm heavy sprung to suit unsprung door furniture |
| Latchbolt: | reversible, cast steel - nickel plated. |



D&E 18405 EP narrow stile anti-panic lockcase

| | | |
|----------------|------|--|
| CI/SfB | | |
| 31/59 | Xt 7 | |
| September 2007 | | |



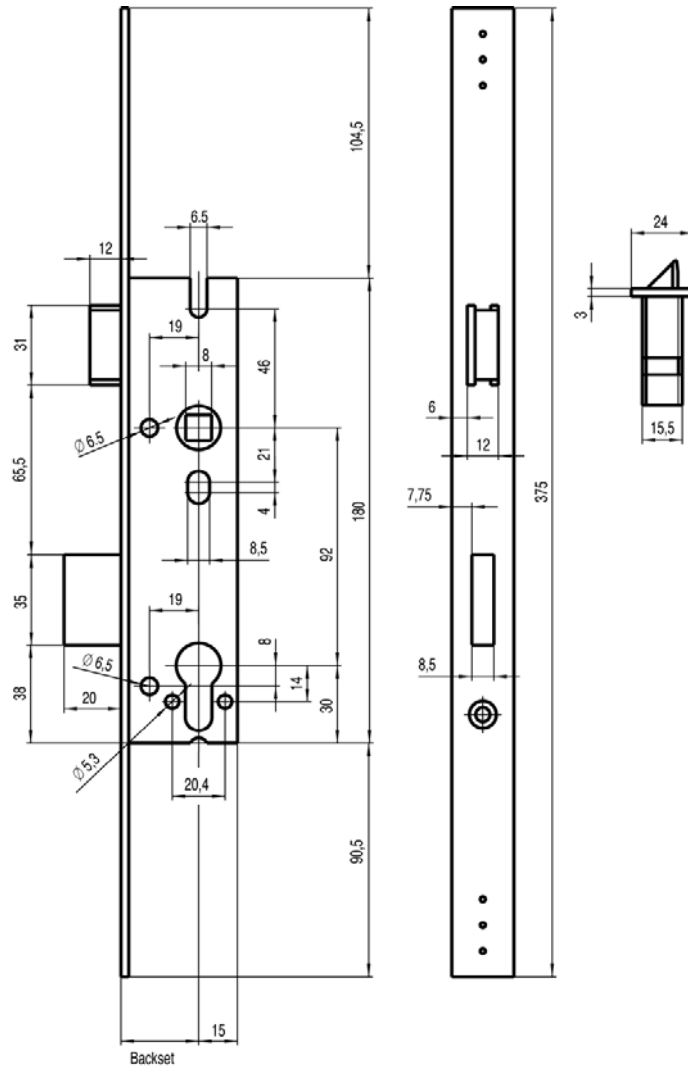
Narrow stile anti-panic lockcase to suit euro profile cylinders.

- DE18405EP/30/216 anti-panic lockcase - 30mm backset - through follower - sqfe sat. stainless steel
- DE18405EP/35/216 anti-panic lockcase - 35mm backset - through follower - sqfe sat. stainless steel
- DE18405EP/40/216 anti-panic lockcase - 40mm backset - through follower - sqfe sat. stainless steel
- DE18405EP/45/216 anti-panic lockcase - 45mm backset - through follower - sqfe sat. stainless steel

- Forend: 24mm square end - stainless steel
- Case: galvanised
- Backset: **30 / 33 / 35 / 38 / 40 / 45**mm
(backsets shown in bold are standard stock lines - other backsets are available to special order)
- Centres: profile cylinder: 92mm
- Deadbolt: 14mm single throw, cast steel - nickel plated with anti-saw protection
- Follower: 8mm heavy sprung to suit unsprung door furniture
- Latchbolt: reversible, cast steel - nickel plated
- Operation: lever operation retracts the latchbolt and deadbolt at all times

D&E 18419 narrow stile refurbishment lockcase

| | | |
|----------------|------|--|
| CI/SfB | | |
| 31/59 | Xt 7 | |
| September 2007 | | |

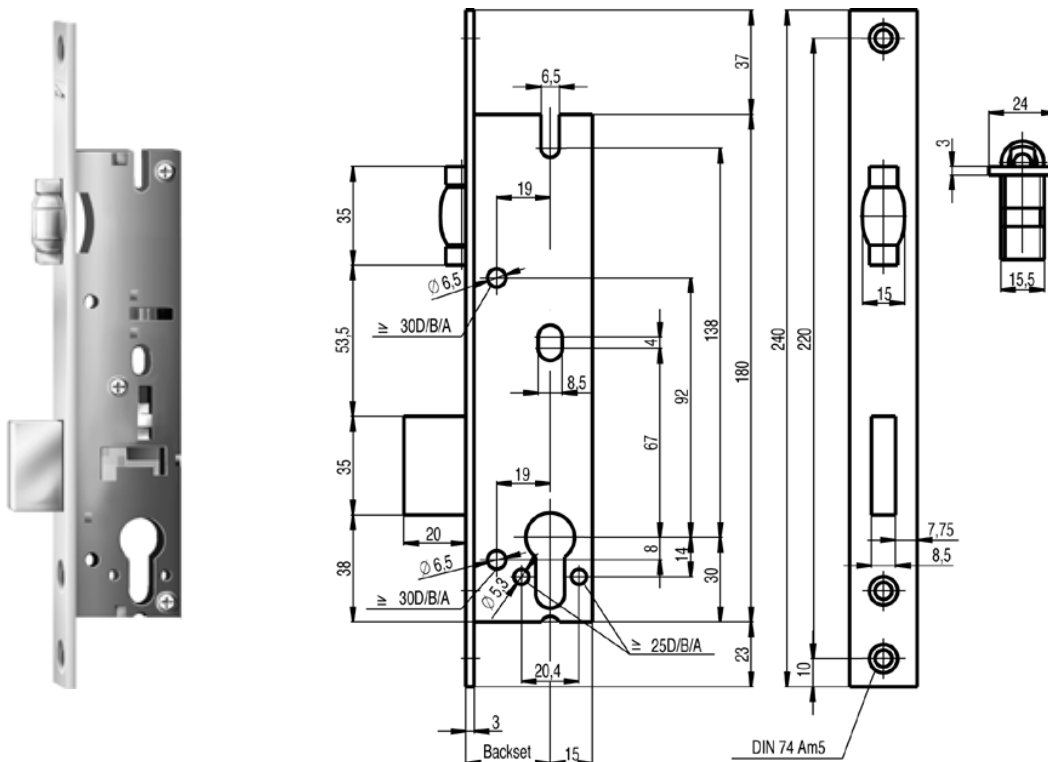


Narrow stile, reversible lockcase to suit euro profile cylinders. The extra long 375mm forend guarantees installation in 99.9% of repair or refurbishment applications. This lock is locksmiths choice.

| | | |
|-------------------------|---|----------------------|
| <i>DE18419WO/30/216</i> | 'refurb' sashlock - 30mm backset - sqfe | sat. stainless steel |
| <i>DE18419WO/35/216</i> | 'refurb' sashlock - 35mm backset - sqfe | sat. stainless steel |
| Forend: | 24mm square end - stainless steel | |
| Case: | galvanised | |
| Centres: | profile cylinder: | 92mm |
| Deadbolt: | 20mm single throw, cast steel - nickel plated with anti-saw protection. | |
| Follower: | 8mm heavy sprung to suit unsprung door furniture | |
| Latchbolt: | reversible, cast steel - nickel plated | |

D&E 18417 series narrow stile roller lockcase

| | | |
|----------------|------|--|
| CI/SfB | | |
| 31/59 | Xt 7 | |
| September 2007 | | |



Heavy duty narrow stile roller bolt lockcase to suit euro profile cylinders.

| | | |
|------------------|---|----------------------|
| DE18417WO/30/216 | sashlock with roller latch - 30mm backset - sqfe | sat. stainless steel |
| DE18417WO/30/235 | sashlock with roller latch - 30mm backset - sqfe | zinc plated |
| DE18417WO/35/216 | sashlock with roller latch - 35mm backset - sqfe | sat. stainless steel |
| DE18417WO/35/235 | sashlock with roller latch - 35mm backset - sqfe | zinc plated |

Case: galvanised.

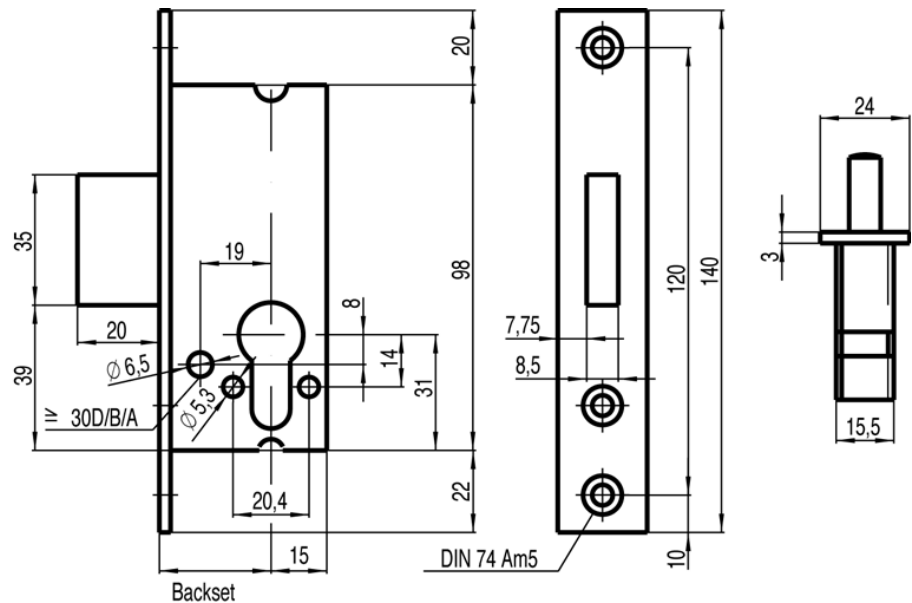
Backset: 25 / **30** / **35** / 40 / 45mm
(backsets shown in bold are standard stock lines - other backsets are available to special order)

Deadbolt: 20mm single throw, cast steel - nickel plated with anti-saw protection.

Latchbolt: roller latch

D&E 18400 series narrow stile deadlock case

| | | |
|----------------|------|--|
| CI/SfB | | |
| 31/59 | Xt 7 | |
| September 2007 | | |



Heavy duty narrow stile deadlock case to suit euro profile cylinders.

| | | |
|-----------------------|--------------------------------|----------------------|
| <i>DE18400/18/216</i> | deadlock - 18mm backset - sqfe | sat. stainless steel |
| <i>DE18400/18/235</i> | deadlock - 18mm backset - sqfe | zinc plated |
| <i>DE18400/20/216</i> | deadlock - 20mm backset - sqfe | sat. stainless steel |
| <i>DE18400/20/235</i> | deadlock - 20mm backset - sqfe | zinc plated |
| <i>DE18400/22/216</i> | deadlock - 22mm backset - sqfe | sat. stainless steel |
| <i>DE18400/22/235</i> | deadlock - 22mm backset - sqfe | zinc plated |

Case: galvanised.

Deadbolt: 14mm single throw, cast steel - nickel plated with anti-saw protection.

| | | |
|-----------------------|--------------------------------|----------------------|
| <i>DE18410/30/216</i> | deadlock - 30mm backset - sqfe | sat. stainless steel |
| <i>DE18410/30/235</i> | deadlock - 30mm backset - sqfe | zinc plated |
| <i>DE18410/35/216</i> | deadlock - 35mm backset - sqfe | sat. stainless steel |
| <i>DE18410/35/235</i> | deadlock - 35mm backset - sqfe | zinc plated |
| <i>DE18410/40/216</i> | deadlock - 40mm backset - sqfe | sat. stainless steel |
| <i>DE18410/40/235</i> | deadlock - 40mm backset - sqfe | zinc plated |
| <i>DE18410/45/216</i> | deadlock - 45mm backset - sqfe | sat. stainless steel |
| <i>DE18410/45/235</i> | deadlock - 45mm backset - sqfe | zinc plated |

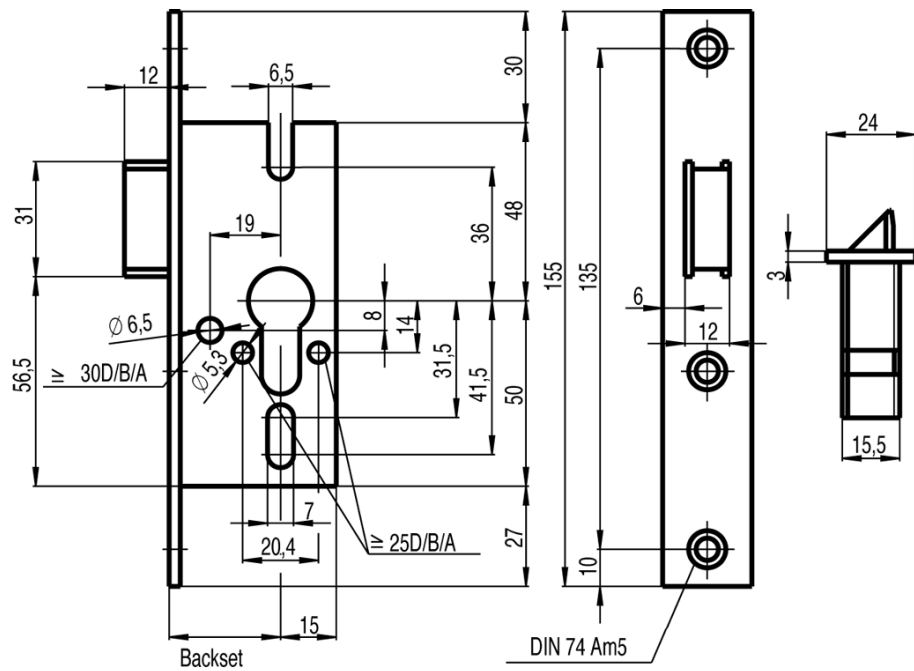
Case: galvanised.

Backset: **25 / 27 / 30 / 33 / 35 / 38 / 40 / 45mm**
(backsets shown in bold are standard stock lines - other backsets are available to special order)

Deadbolt: 20mm single throw, cast steel - nickel plated with anti-saw protection.

D&E 18412 narrow stile latchlock case

| | | |
|----------------|-------|------|
| CI/SfB | 31/59 | Xt 7 |
| September 2007 | | |



Narrow stile latchlock case to suit euro profile cylinders.

| | | |
|------------------|---|-------------|
| DE1841200/18/235 | nightlatch lockcase - 18mm backset - sqfe | zinc plated |
| DE1841200/30/235 | nightlatch lockcase - 30mm backset - sqfe | zinc plated |
| DE1841200/35/235 | nightlatch lockcase - 35mm backset - sqfe | zinc plated |

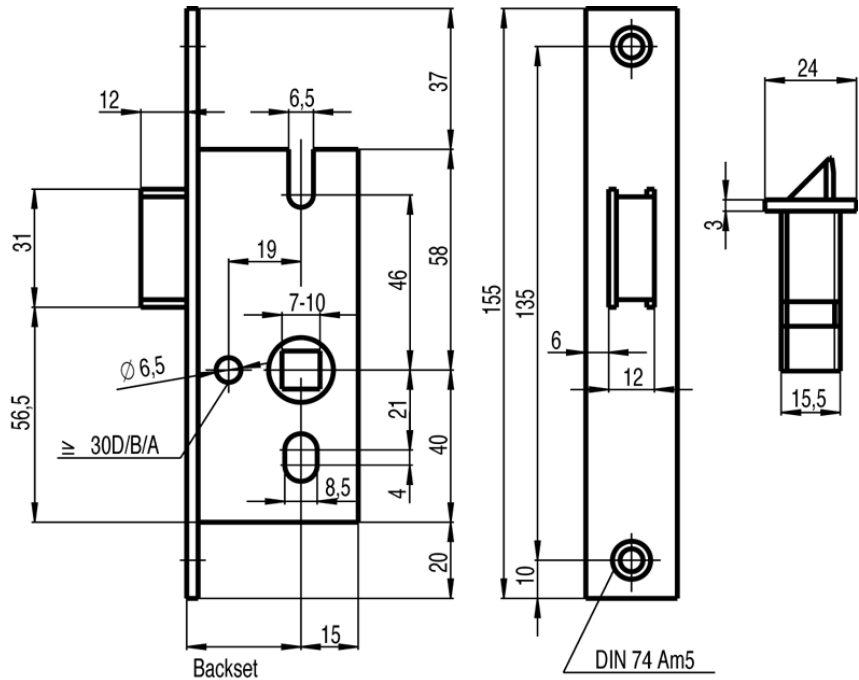
Case: galvanised.

Backset: **18 / 20 / 22 / 25 / 27 / 30 / 35 / 40 / 45mm**
(backsets shown in bold are standard stock lines - other backsets are available to special order)

Latchbolt: reversible, cast steel - nickel plated.

D&E 13412 narrow stile latchlock case

| | | |
|----------------|------|--|
| CI/SfB | | |
| 31/59 | Xt 7 | |
| September 2007 | | |



Narrow stile latchlock case.

| | | |
|------------------|--|----------------------|
| DE1341200/25/216 | latchbolt lockcase - 25mm backset - sqfe | sat. stainless steel |
| DE1341200/25/235 | latchbolt lockcase - 25mm backset - sqfe | zinc plated |
| DE1341200/30/216 | latchbolt lockcase - 30mm backset - sqfe | sat. stainless steel |
| DE1341200/30/235 | latchbolt lockcase - 30mm backset - sqfe | zinc plated |
| DE1341200/35/216 | latchbolt lockcase - 35mm backset - sqfe | sat. stainless steel |
| DE1341200/35/235 | latchbolt lockcase - 35mm backset - sqfe | zinc plated |

Case: galvanised.

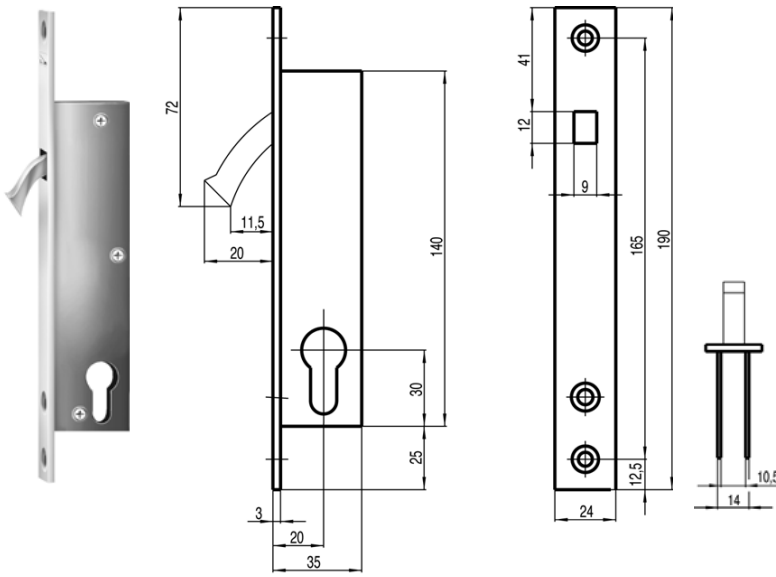
Backset: 18 / 20 / 22 / **25** / 27 / **30** / **35** / 40 / 45mm
(backsets shown in bold are standard stock lines - other backsets are available to special order)

Follower: 8mm heavy sprung to suit unsprung door furniture

Latchbolt: reversible, cast steel - nickel plated.

D&E 18327 & 18328 sliding door locks

| | | |
|----------------|------|--|
| CI/SfB | | |
| 31/59 | Xt 7 | |
| September 2007 | | |



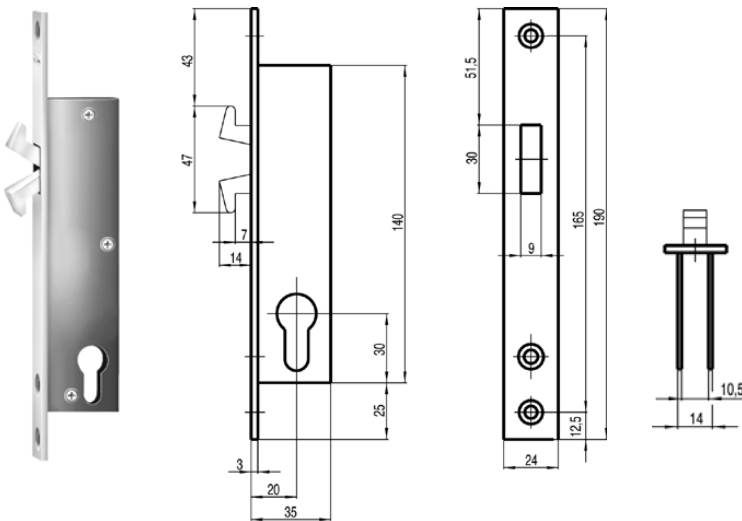
Heavy duty narrow stile hook bolt lockcase to suit euro profile cylinders.

DE1832700/20/235

hook bolt lockcase - 20mm backset - sqfe zinc plated

Case: galvanised

Hook bolt: 20mm single throw, cast steel - nickel plated



Heavy duty narrow stile hook bolt lockcase to suit euro profile cylinders.

DE1832800/20/235

double hook bolt lockcase - 20mm backset - sqfe zinc plated

Case: galvanised

Claw bolt: 14mm single throw, cast steel - nickel plated

D&E narrow stile lock strike plates

| | | |
|----------------|------|--|
| CI/SfB | | |
| 31/59 | Xt 7 | |
| September 2007 | | |

| <u>Lockcase No.</u> | <u>Strike plate</u> | | <u>Lockcase No.</u> | <u>Strike plate</u> | |
|---------------------|---------------------|---|---------------------|---------------------|---|
| DE13308 | N/A | | DE18405EP | 1 843500 | |
| DE13325 | 1 834400 | | DE18407 | 1 843500 | |
| DE13420 | 1 834400 | | | 1 8435K0 | ▼ |
| DE13412 | 1 844200 | | | 1 8435EA | ▼ |
| DE18302 | N/A | | | 1 8435E0 | ▼ |
| DE18326 | N/A | | | | |
| DE18330 | 1844400 | | | | |
| DE18400 | 1843700 | | DE18410 | 1 843700 | |
| | | | DE18412 | 1 844200 | |
| DE18401 | 1 843500 | | | | |
| | 1 8435K0 | ▼ | DE18417 | 1 843800 | |
| | 1 8435EA | ▼ | DE18419 | 1 849000 | |
| | 1 8435E0 | ▼ | | 1 843500 | |
| | | | | 1 8435K0 | ▼ |
| DE18405 | 1 843500 | | | 1 8435EA | ▼ |
| | 1 8435K0 | ▼ | | 1 8435E0 | ▼ |
| | 1 8435EA | ▼ | | | |
| | 1 8435E0 | ▼ | | | |

Suitable for use with electric locks:

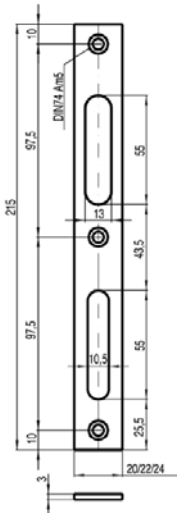
- ▼ Peso Models: 500 / 500A
- ▼ Eff-Eff Models: 17 / 19
- ▼ Eff-Eff Models: 12



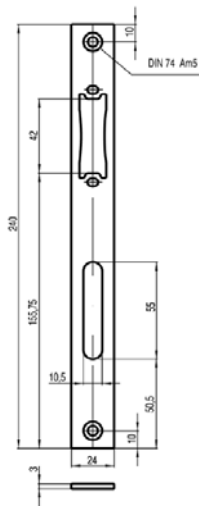
D&E narrow stile lock strike plates

| | | |
|----------------|------|--|
| CI/SfB | | |
| 31/59 | Xt 7 | |
| September 2007 | | |

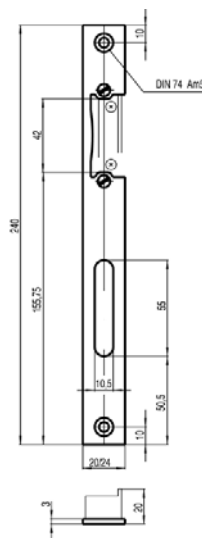
DE1843500



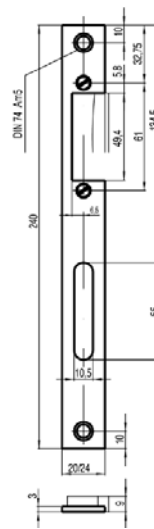
DE18435E0



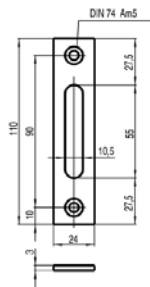
DE18435EA



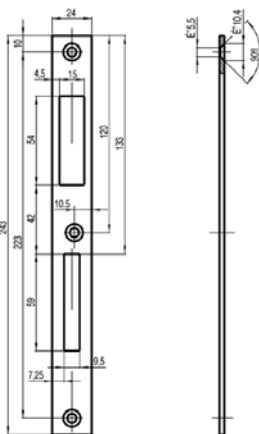
DE18435K0



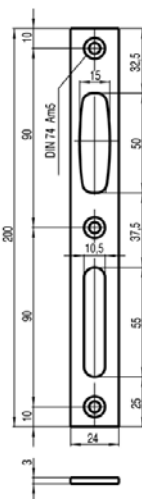
DE1843700



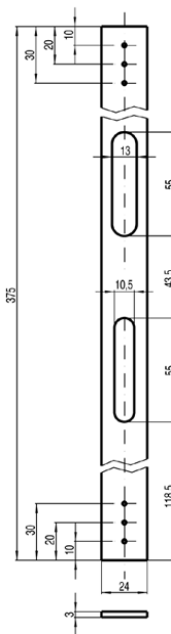
1844400



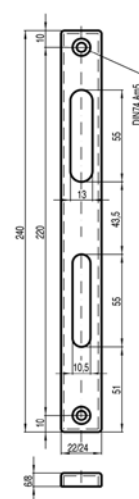
1843800



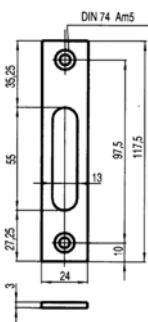
DE1849000



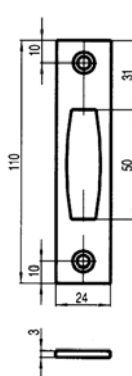
DE1849100



DE1844200

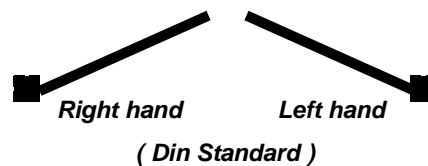


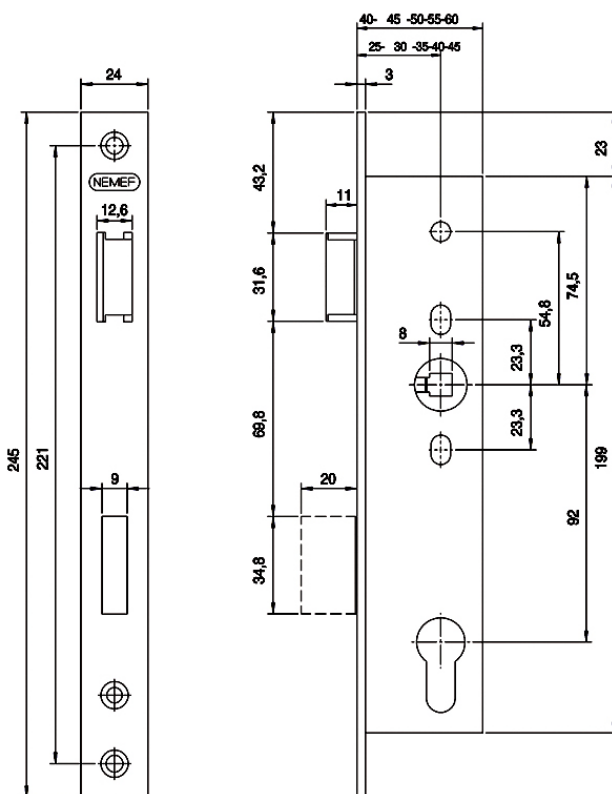
DE1843000



NOTE:- Rebate sets

13mm & 25mm rebate sets are available for the 240mm forends - supplied only in sat. stainless steel and are handed.





Heavy duty narrow stile reversible lockcase to suit euro profile cylinders.

| | | |
|--------------|--------------------------------|----------------------|
| DE9601/25/SS | sashlock - 25mm backset - sqfe | sat. stainless steel |
| DE9602/30/SS | sashlock - 30mm backset - sqfe | sat. stainless steel |
| DE9603/35/SS | sashlock - 35mm backset - sqfe | sat. stainless steel |
| DE9604/40/SS | sashlock - 40mm backset - sqfe | sat. stainless steel |
| DE9605/45/SS | sashlock - 45mm backset - sqfe | sat. stainless steel |

| | |
|------------|--|
| Latchbolt: | reversible, cast steel - nickel plated |
| Deadbolt: | 20mm single throw, cast steel - nickel plated |
| Case: | galvanised |
| Follower: | 8mm heavy sprung to suit unsprung door furniture |

D&E narrow stile sashlock

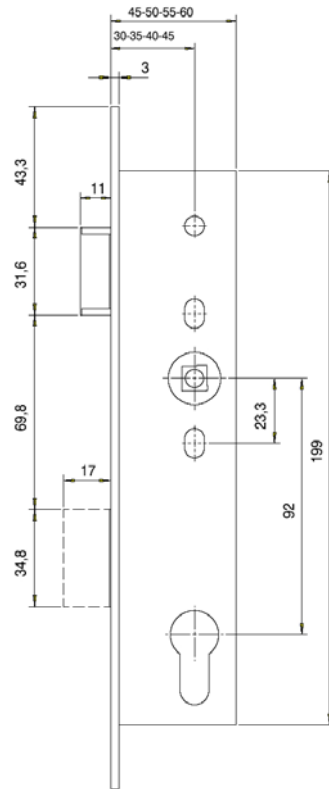
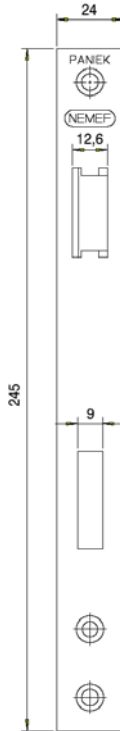
| | | |
|----------------|-------|------|
| CI/SfB | 31/59 | Xt 7 |
| September 2007 | | |



Heavy duty narrow stile reversible sashlock to suit euro profile cylinders.

| | | |
|--------------|--------------------------------|----------------------|
| DE9701/25/SS | sashlock - 25mm backset - sqfe | sat. stainless steel |
| DE9702/30/SS | sashlock - 30mm backset - sqfe | sat. stainless steel |
| DE9703/35/SS | sashlock - 35mm backset - sqfe | sat. stainless steel |
| DE9704/40/SS | sashlock - 40mm backset - sqfe | sat. stainless steel |
| DE9705/45/SS | sashlock - 45mm backset - sqfe | sat. stainless steel |

| | |
|------------|--|
| Latchbolt: | reversible, cast steel - nickel plated |
| Deadbolt: | 20mm single throw, cast steel with steel security pins - nickel plated |
| Case: | galvanised |
| Follower: | 8mm with pinch grip, heavy sprung to suit unsprung door furniture spring grip |
| Centres: | profile cylinder: 92mm |
| Backset: | 25 / 30 / 35 / 40 / 45 mm (backsets shown in bold are standard stock lines - other backsets are available to special order) |



INSIDE



Fig. 1 - Left Hand - Open In

INSIDE



Fig. 2 - Right Hand - Open In

INSIDE



Fig. 3 - Left Hand - Open Out

INSIDE



Fig. 4 - Right Hand - Open Out

Heavy duty narrow stile reversible anti panic sashlock to suit euro profile cylinders.

DE9672/30/SS/1-3LH

anti-panic lockcase - 30mm backset - split follower - fig. 1/3 - sqfe sat. stainless steel

DE9672/30/SS/2-4RH

anti-panic sashlock - 30mm backset - split follower - fig. 2/4 - sqfe sat. stainless steel

DE9673/35/SS/1-3LH

anti-panic lockcase - 35mm backset - split follower - fig. 1/3 - sqfe sat. stainless steel

DE9673/35/SS/2-4RH

anti-panic sashlock - 35mm backset - split follower - fig. 2/4 - sqfe sat. stainless steel

DE9674/40/SS/1-3LH

anti-panic lockcase - 40mm backset - split follower - fig. 1/3 - sqfe sat. stainless steel

DE9674/40/SS/2-4RH

anti-panic sashlock - 40mm backset - split follower - fig. 2/4 - sqfe sat. stainless steel

DE9675/45/SS/1-3LH

anti-panic lockcase - 45mm backset - split follower - fig. 1/3 - sqfe sat. stainless steel

DE9675/45/SS/2-4RH

anti-panic sashlock - 45mm backset - split follower - fig. 2/4 - sqfe sat. stainless steel

DE9672/30/SS

anti-panic lockcase - 30mm backset - 1 pce follower - sqfe sat. stainless steel

DE9673/35/SS

anti-panic sashlock - 35mm backset - 1 pce follower - sqfe sat. stainless steel

DE9674/40/SS

anti-panic lockcase - 40mm backset - 1 pce follower - sqfe sat. stainless steel

DE9675/45/SS

anti-panic sashlock - 45mm backset - 1 pce follower - sqfe sat. stainless steel

Operation:

lever operation retracts the latchbolt and deadbolt from the relevant handed side at all times

Handings:

Fig 1: open in anti-clockwise close

Fig 2: open in clockwise close

Fig 3: open out anti-clockwise close

Fig 4: open out clockwise close

D&E narrow stile anti-panic sashlock

| | | |
|----------------|------|--|
| CI/SfB | | |
| 31/59 | Xt 7 | |
| September 2007 | | |

Heavy duty narrow stile reversible anti panic sashlock to suit euro profile cylinders.



- Latchbolt: reversible, cast steel - nickel plated
- Deadbolt: 20mm single throw, cast steel - nickel plated
- Case: galvanised
- Follower: 8mm, heavy sprung to suit unsprung door furniture - through follower unless otherwise stated
- Centres: profile cylinder: 92mm
- Backset: **30 / 35 / 40 / 45mm**
(backsets shown in bold are standard stock lines - other backsets are available to special order)



INSIDE



Fig. 1 - Left Hand - Open In

INSIDE



Fig. 2 - Right Hand - Open In

INSIDE



Fig. 3 - Left Hand - Open Out

INSIDE



Fig. 4 - Right Hand - Open Out



Stichting Kwaliteit Gevelbouw

Nieuwe Kanaal 9F
6709 PA Wageningen

T : 0317 - 421720
F : 0317 - 421677

Postbus 362
6700 AJ Wageningen

E : info@skg.nl
I : www.skg.nl



EC-CERTIFICATE OF CONFORMITY

0960 - CPD - 427.008

In compliance with the Directive 89/106/EEC of the Council of European Communities of 21 December 1988 on the approximation of laws, regulations and administrative provisions of the Member States relating to the construction products (Construction Products Directive - CPD), amended by the Directive 93/68/EEC of the Council of European Communities of 22 July 1993, it has been stated that the construction product

Locks 9600 series

as specified in attached appendix (1 page)

produced and placed on the market by

NEMEF B.V.
Papegaaieweg 35
Wenum Wiesel

is submitted by the manufacturer to a factory production control (FPC) and the further testing of samples taken at the factory in accordance with a prescribed test plan and that the notified body - SKG - has performed the initial type-testing for the relevant characteristics of the product, the initial inspection of the factory and of the FPC and performs the continuous surveillance, assessment and approval of the FPC and an audit testing of samples taken at the factory, on the market or at the construction site. This certificate attests that all provisions concerning the attestation of conformity and the performances described in Annex ZA of the standard

EN 12209:2003

were applied and that the product fulfils all the prescribed requirements.

This certificate was first issued on 11 May 2007 and remains valid as long as the conditions laid down in the harmonised technical specification in reference or the manufacturing conditions in the factory or the FPC itself are not modified significantly.

Wageningen, 11 May 2007

ir. F.A. Zandstra
Manager

This Certificate has 1 page and 1 appendix (1 page)

Sales: 01733 896123



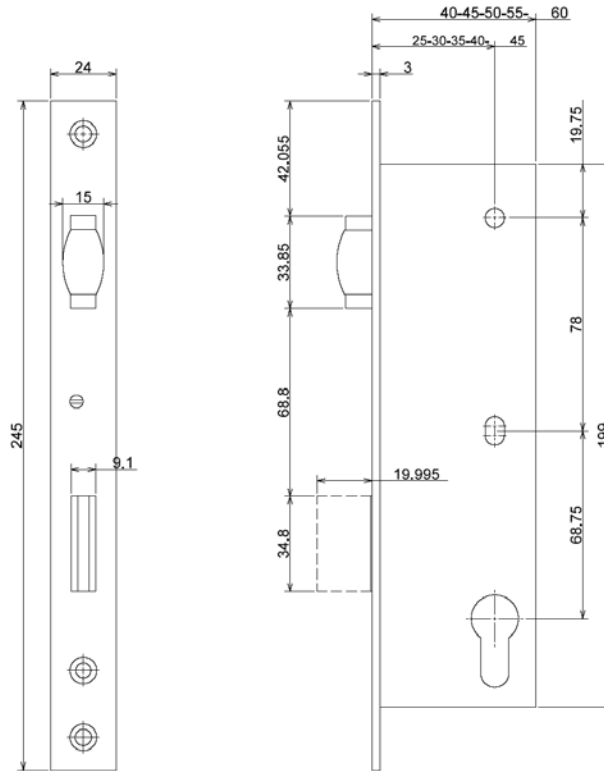
K-1016

Fax: 01733 894466

E&OE

D&E narrow stile roller latch sashlock

| | | |
|-------------|------|--|
| CI/SfB | | |
| 31/59 | Xt 7 | |
| August 2011 | | |



Heavy duty narrow stile reversible lockcase to suit euro profile cylinders.

| | | |
|--------------|---------------------------------------|----------------------|
| DE9681/25/SS | roller sashlock - 25mm backset - sqfe | sat. stainless steel |
| DE9682/30/SS | roller sashlock - 30mm backset - sqfe | sat. stainless steel |
| DE9683/35/SS | roller sashlock - 35mm backset - sqfe | sat. stainless steel |
| DE9684/40/SS | roller sashlock - 40mm backset - sqfe | sat. stainless steel |
| DE9685/45/SS | roller sashlock - 45mm backset - sqfe | sat. stainless steel |

Latchbolt: roller bolt, brass - nickel plated

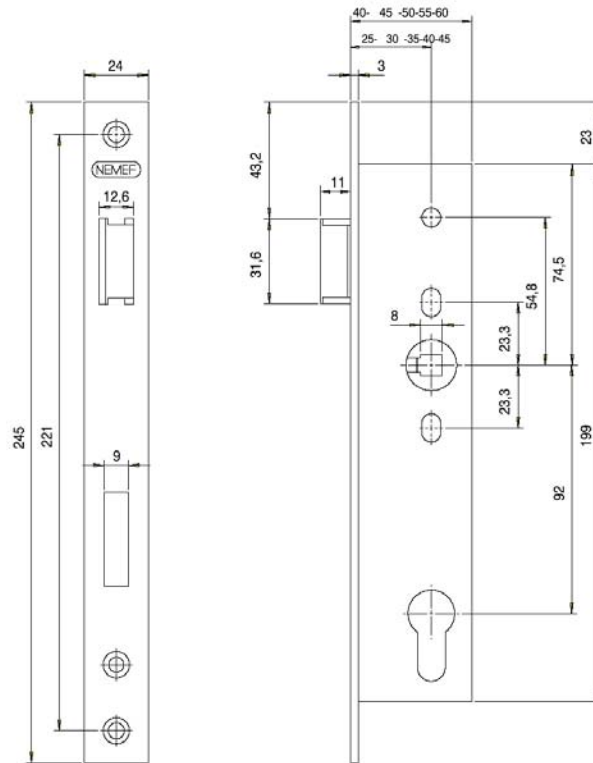
Deadbolt: 20mm single throw, cast steel - nickel plated

Case: galvanised

Backset: **25 / 30 / 35 / 40 / 45**mm
(backsets shown in bold are standard stock lines - other backsets are available to special order)

D&E narrow stile nightlatch

| | | |
|-------------|------|--|
| CI/SfB | | |
| 31/59 | Xt 7 | |
| August 2011 | | |



Heavy duty narrow stile reversible nightlatch lockcase to suit euro profile cylinders.

| | | |
|--------------|----------------------------------|----------------------|
| DE9631/25/SS | nightlatch - 25mm backset - sqfe | sat. stainless steel |
| DE9632/30/SS | nightlatch - 30mm backset - sqfe | sat. stainless steel |
| DE9633/35/SS | nightlatch - 35mm backset - sqfe | sat. stainless steel |
| DE9634/40/SS | nightlatch - 40mm backset - sqfe | sat. stainless steel |
| DE9635/45/SS | nightlatch - 45mm backset - sqfe | sat. stainless steel |

Latchbolt: reversible, cast steel - nickel plated

Case: galvanised

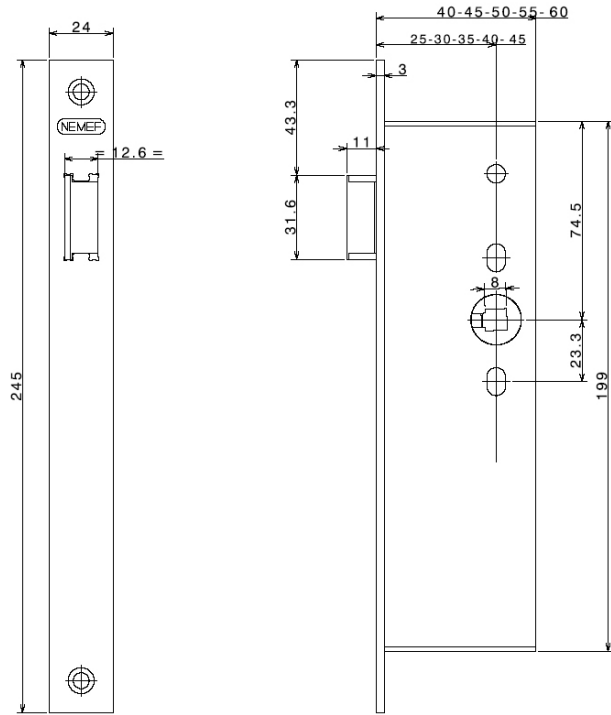
Follower: 8mm heavy sprung to suit unsprung door furniture

Centres: profile cylinder: 92mm

Backset: **25 / 30 / 35 / 40 / 45mm**
(backsets shown in bold are standard stock lines - other backsets are available to special order)

D&E narrow stile latch lock

| | | |
|-------------|------|--|
| CI/SfB | | |
| 31/59 | Xt 7 | |
| August 2011 | | |



Heavy duty narrow stile reversible latch lock to suit euro profile cylinders.

| | | |
|---------------------|----------------------------------|----------------------|
| <i>DE9621/25/SS</i> | latch lock - 25mm backset - sqfe | sat. stainless steel |
| <i>DE9622/30/SS</i> | latch lock - 30mm backset - sqfe | sat. stainless steel |
| <i>DE9623/35/SS</i> | latch lock - 35mm backset - sqfe | sat. stainless steel |
| <i>DE9624/40/SS</i> | latch lock - 40mm backset - sqfe | sat. stainless steel |
| <i>DE9625/45/SS</i> | latch lock - 45mm backset - sqfe | sat. stainless steel |

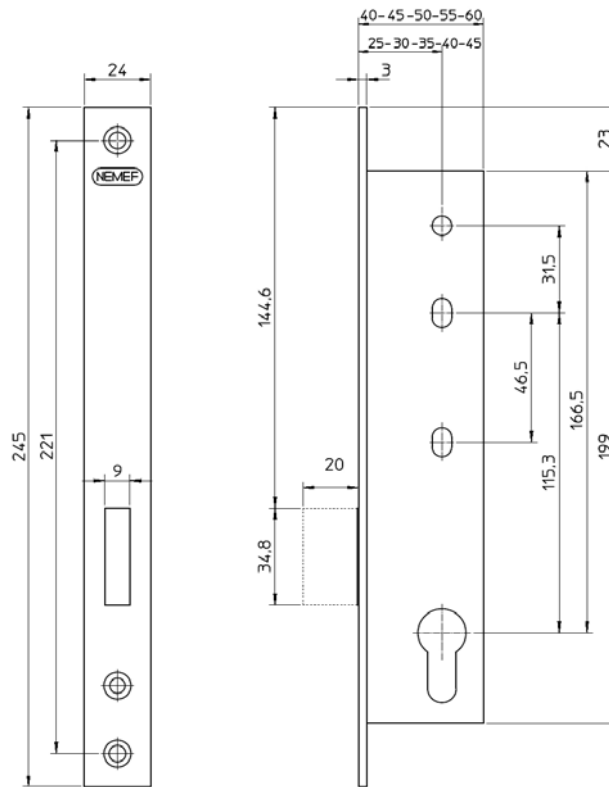
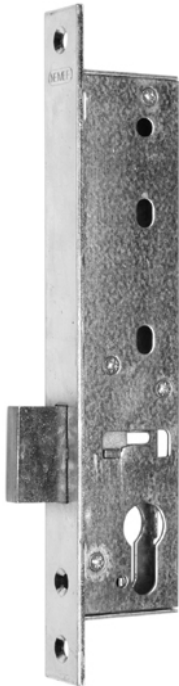
Latchbolt: reversible, cast steel - nickel plated

Case: galvanised

Follower: 8mm heavy sprung to suit unsprung door furniture

D&E narrow stile deadlock

| | | |
|-------------|------|--|
| CI/SfB | | |
| 31/59 | Xt 7 | |
| August 2011 | | |



Heavy duty narrow stile deadlock to suit euro profile cylinders.

| | | |
|---------------------|--------------------------------|----------------------|
| <i>DE9651/25/SS</i> | deadlock - 25mm backset - sqfe | sat. stainless steel |
| <i>DE9652/30/SS</i> | deadlock - 30mm backset - sqfe | sat. stainless steel |
| <i>DE9653/35/SS</i> | deadlock - 35mm backset - sqfe | sat. stainless steel |
| <i>DE9654/40/SS</i> | deadlock - 40mm backset - sqfe | sat. stainless steel |
| <i>DE9655/45/SS</i> | deadlock - 45mm backset - sqfe | sat. stainless steel |

Deadbolt: 20mm single throw, cast steel - nickel plated

Case: galvanised

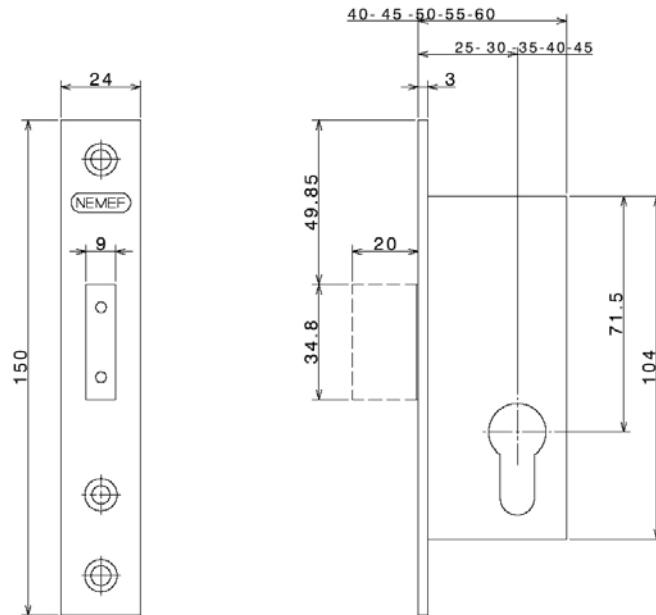
| | | |
|---------------------|--------------------------------|----------------------|
| <i>DE9751/25/SS</i> | deadlock - 25mm backset - sqfe | sat. stainless steel |
| <i>DE9752/30/SS</i> | deadlock - 30mm backset - sqfe | sat. stainless steel |
| <i>DE9753/35/SS</i> | deadlock - 35mm backset - sqfe | sat. stainless steel |
| <i>DE9754/40/SS</i> | deadlock - 40mm backset - sqfe | sat. stainless steel |
| <i>DE9755/45/SS</i> | deadlock - 45mm backset - sqfe | sat. stainless steel |

Deadbolt: 20mm single throw, cast steel with steel security pins - nickel plated

Case: galvanised

D&E narrow stile deadlock - small case

| | | |
|-------------|------|--|
| CI/SfB | | |
| 31/59 | Xt 7 | |
| August 2011 | | |



Heavy duty narrow stile small case deadlock to suit euro profile cylinders.

| | | |
|---------------------|--------------------------------|----------------------|
| <i>DE9641/25/SS</i> | deadlock - 25mm backset - sqfe | sat. stainless steel |
| <i>DE9642/30/SS</i> | deadlock - 30mm backset - sqfe | sat. stainless steel |
| <i>DE9643/35/SS</i> | deadlock - 35mm backset - sqfe | sat. stainless steel |
| <i>DE9644/40/SS</i> | deadlock - 40mm backset - sqfe | sat. stainless steel |
| <i>DE9645/45/SS</i> | deadlock - 45mm backset - sqfe | sat. stainless steel |

Deadbolt: 20mm single throw, cast steel - nickel plated

Case: galvanised

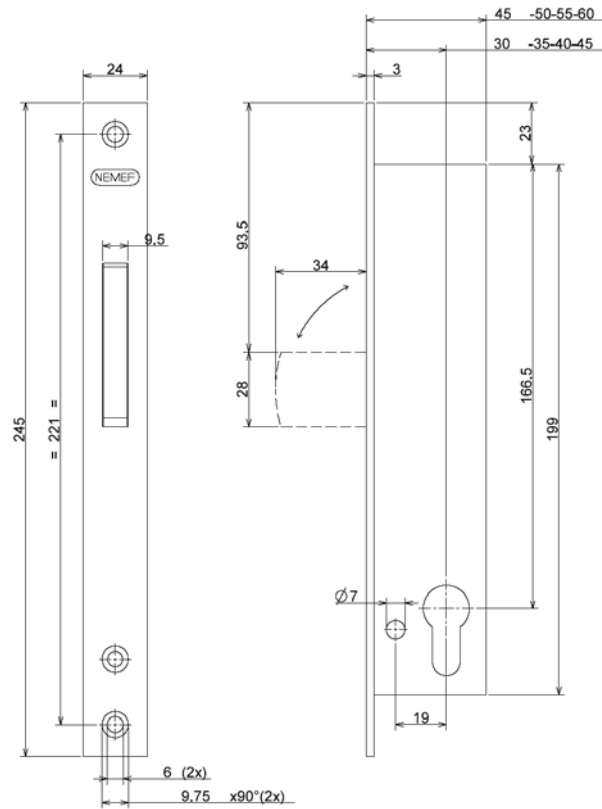
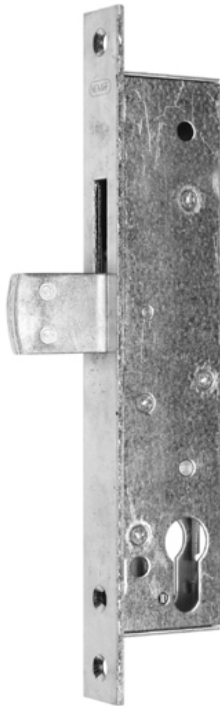
| | | |
|---------------------|--------------------------------|----------------------|
| <i>DE9741/25/SS</i> | deadlock - 25mm backset - sqfe | sat. stainless steel |
| <i>DE9742/30/SS</i> | deadlock - 30mm backset - sqfe | sat. stainless steel |
| <i>DE9743/35/SS</i> | deadlock - 35mm backset - sqfe | sat. stainless steel |
| <i>DE9744/40/SS</i> | deadlock - 40mm backset - sqfe | sat. stainless steel |
| <i>DE9745/45/SS</i> | deadlock - 45mm backset - sqfe | sat. stainless steel |

Deadbolt: 20mm single throw, cast steel with steel security pins - nickel plated

Case: galvanised

D&E narrow stile pivoting deadlock

| | | |
|-------------|------|--|
| CI/SfB | | |
| 31/59 | Xt 7 | |
| August 2011 | | |



Heavy duty narrow stile deadlock with pivoting deadbolt to suit euro profile cylinders.

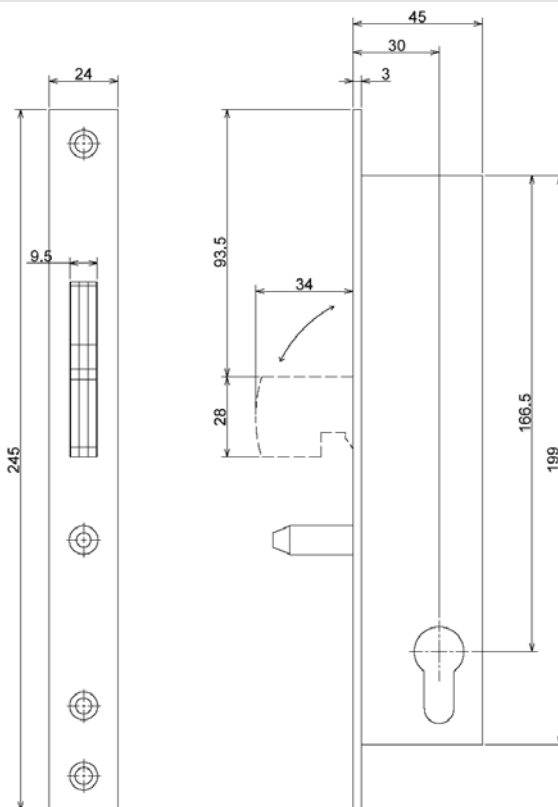
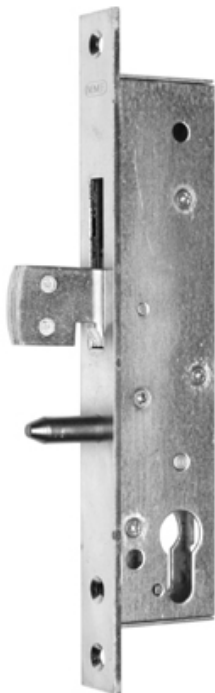
| | | |
|---------------------|---|----------------------|
| <i>DE9662/30/SS</i> | pivoting deadbolt - 30mm backset - sqfe | sat. stainless steel |
| <i>DE9663/35/SS</i> | pivoting deadbolt - 35mm backset - sqfe | sat. stainless steel |
| <i>DE9664/40/SS</i> | pivoting deadbolt - 40mm backset - sqfe | sat. stainless steel |
| <i>DE9665/45/SS</i> | pivoting deadbolt - 45mm backset - sqfe | sat. stainless steel |

Deadbolt: 34mm single throw pivoting deadbolt, cast steel - nickel plated

Case: galvanised

D&E narrow stile pivoting hook lock

| | | |
|-------------|------|--|
| CI/SfB | | |
| 31/59 | Xt 7 | |
| August 2011 | | |



Heavy duty narrow stile hook bolt with pivoting deadbolt to suit euro profile cylinders.

| | | |
|---------------------|--|----------------------|
| <i>DE9692/30/SS</i> | pivoting deadbolt with security pin - 30mm backset - sqfe | sat. stainless steel |
| <i>DE9693/35/SS</i> | pivoting deadbolt with security pin - 35mm backset - sqfe | sat. stainless steel |
| <i>DE9694/40/SS</i> | pivoting deadbolt with security pin - 40mm backset - sqfe | sat. stainless steel |
| <i>DE9695/45/SS</i> | pivoting deadbolt with security pin - 45mm backset - sqfe | sat. stainless steel |

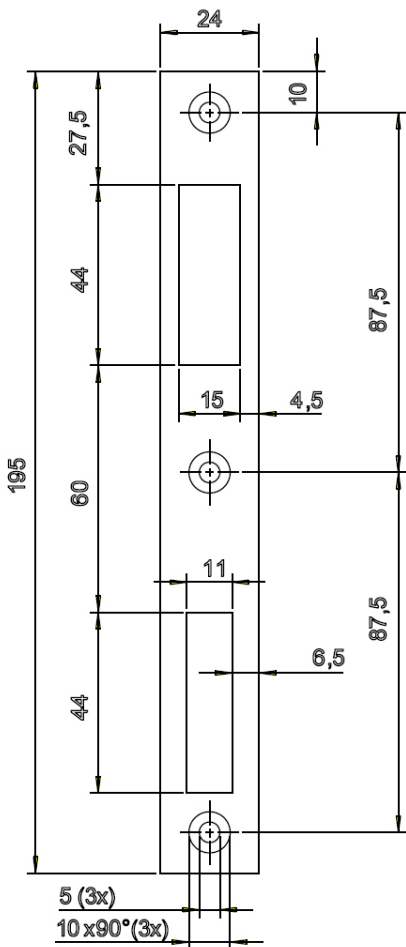
Deadbolt: 34mm single throw pivoting hook bolt, cast steel - nickel plated

Case: galvanised

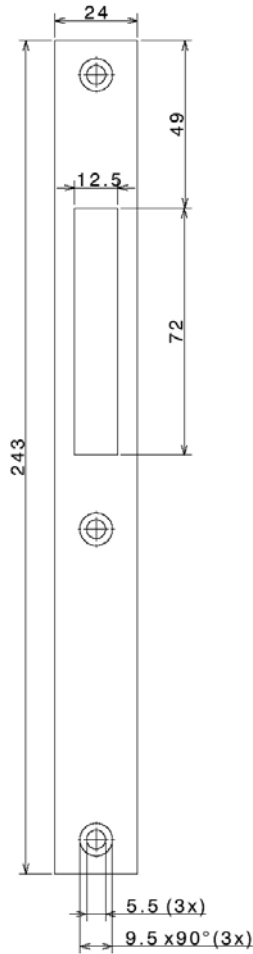
D&E narrow stile lock strike plates

| | | |
|----------------|------|--|
| CI/SfB | | |
| 31/59 | Xt 7 | |
| September 2007 | | |

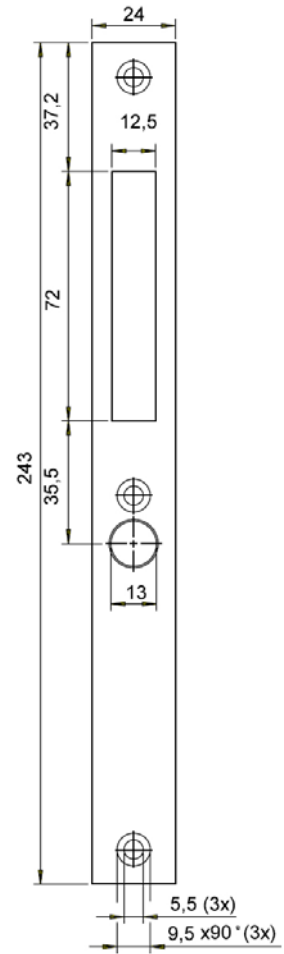
DEP9500/12 or DEP9600/17



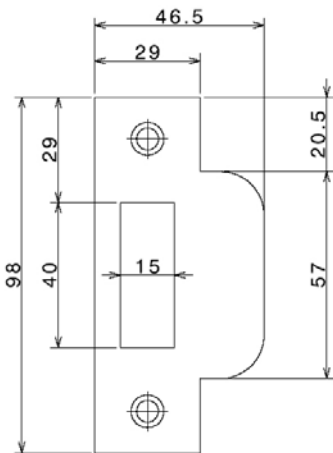
DEP1205/17



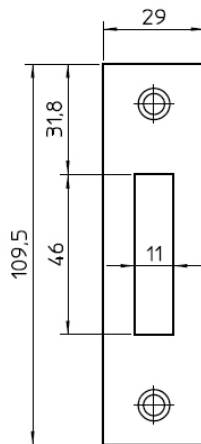
DEP1205H/17



DEP635/12 or DEP635/17

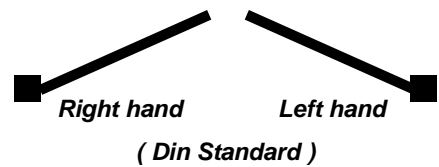


DEP636/12 or DEP636/17



NOTE:- Rebate sets

13mm & 25mm rebate sets are available for the 240mm forends - supplied only in sat. stainless steel and are handed.



Multi-point lock identification chart

| | | |
|---------------|------|--|
| CI/SfB | | |
| 31/59 | Xt 7 | |
| December 2010 | | |

| | | | |
|---------------------|-------|----------|-----|
| Manufacturer | | Avocet | [] |
| Era | [] | Fix | [] |
| Fuhr | [] | Fullex | [] |
| G-U / Ferco | [] | Homesafe | [] |
| Lockmaster | [] | Maco | [] |
| Mila | [] | Nemef | [] |
| Roto | [] | Winkhaus | [] |
| Other | _____ | | |

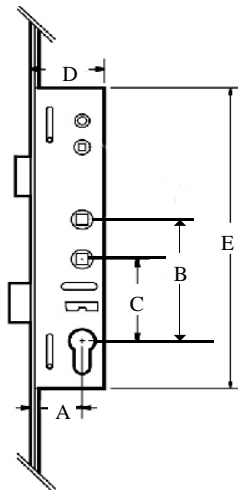
Any markings on the face plate or locking points i.e. numbers etc... _____

Total Locking Points (excl. latch)

| | | | | | |
|---|---|-----|---|---|-----|
| 1 | - | [] | 5 | - | [] |
| 2 | - | [] | 6 | - | [] |
| 3 | - | [] | 7 | - | [] |
| 4 | - | [] | | | |

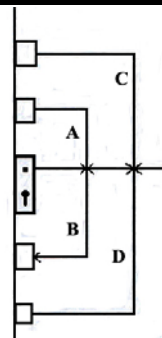
Lock case Dimensions

| | |
|------------------|----------|
| Latch & Deadbolt | [] |
| or | |
| Latch & Hook | [] |
| or | |
| Latch only | [] |
| A - Backset: | _____ mm |
| B - Centres: | _____ mm |
| C - Centres: | _____ mm |
| D - Case depth: | _____ mm |
| E - Case Height: | _____ mm |



Locking Point Distance

| | | |
|---|---|----------|
| A | - | _____ mm |
| B | - | _____ mm |
| C | - | _____ mm |
| D | - | _____ mm |



NB. Please specify if measurements to the centre of the locking points or between case bodies

Lock Operation

| | | | |
|----------------|-----|----------------|-----|
| Lever operated | [] | Auto fast lock | [] |
| Twin spindle | [] | Key wind up | [] |
| Split spindle | [] | | |

How many of each locking points?

| | | |
|--|-----------------------------|-------|
| | Hook / Claw | _____ |
| | Hook & Anti Lift Pin | _____ |
| | Shoot Pin | _____ |
| | Deadbolt | _____ |
| | Mushroom | _____ |
| | Roller | _____ |
| | Top extension shoot bolt | _____ |
| | Bottom extension shoot bolt | _____ |

Keeps

| For door Type | Keep Type |
|---------------|----------------|
| Timber [] | Individual [] |
| PVC [] | One Piece [] |
| Aluminium [] | |
| Composite [] | |

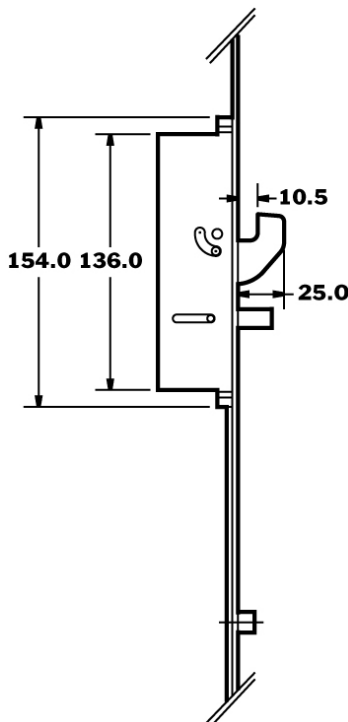
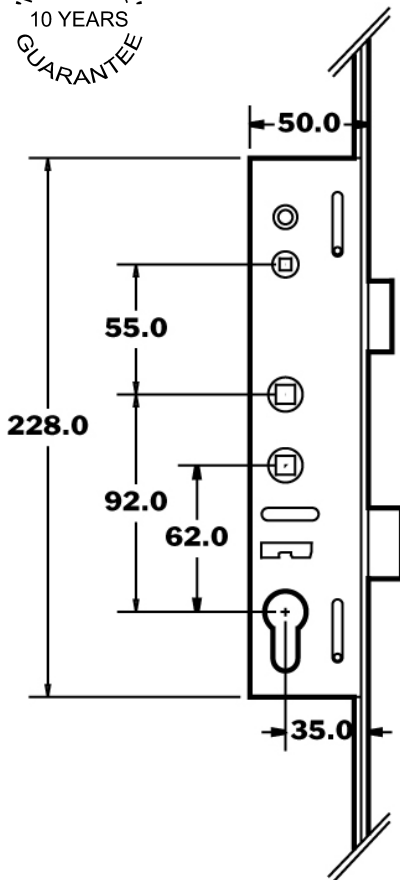
Faceplate details

| | | |
|---------|----------|-----|
| Flat: | | [] |
| U-Rail: | | [] |
| Width: | _____ mm | |

Lock construction

| | | | |
|------|-----|------|-----|
| 1pce | [] | 3pce | [] |
|------|-----|------|-----|

NO QUIBBLE
10 YEARS
GUARANTEE



Designed to meet and exceed the requirements of BBA, ABI, PAS 23 / 24 and the latest CEN European security and performance standards plus cycle tested to BS5872.

The unsprung Lockmaster series uses twin followers to give both front door night latching and standard back door lever / lever action.

Pre-compression rollers are unique to the Lockmaster and ensure smooth action and positive door alignment.

Other features include deadbolt with hardened pins & snib 'latch hold back' facility.

Nightlatch door locks - unsprung

| | | |
|--------------|---|----------------|
| DEPAD11101SS | 35mm backset, 4 roller, rev. latch & deadbolt | silver triklad |
| DEPAD13101SS | 35mm backset, 2 hook, 2 anti-lift pins, 2 roller, rev. latch & deadbolt | silver triklad |
| DEPAD13121SS | 35mm backset, 2 hook, 2 anti-lift pins, 4 roller, rev. latch & deadbolt | silver triklad |
| DEPAD14101SS | 35mm backset, 4 hook, 2 anti-lift pins, 2 roller, rev. latch & deadbolt | silver triklad |
| DEPAD45101SS | 35mm backset, 2 hook, 2 anti-lift pins, 2 roller, rev. latch & deadbolt - <i>extendable</i> | silver triklad |
| DEPAD45121SS | 35mm backset, 2 hook, 2 anti-lift pins, 4 roller, rev. latch & deadbolt - <i>extendable</i> | silver triklad |

Shoot bolts for extendable models

| | | |
|------------------------|---|----------------|
| DEPAD90011SS / 90005SS | 2 x shoot bolt extensions incl. keeps | silver triklad |
| DEPAD90012SS / 90005SS | 2 x high security shoot bolt extensions incl. keeps | silver triklad |

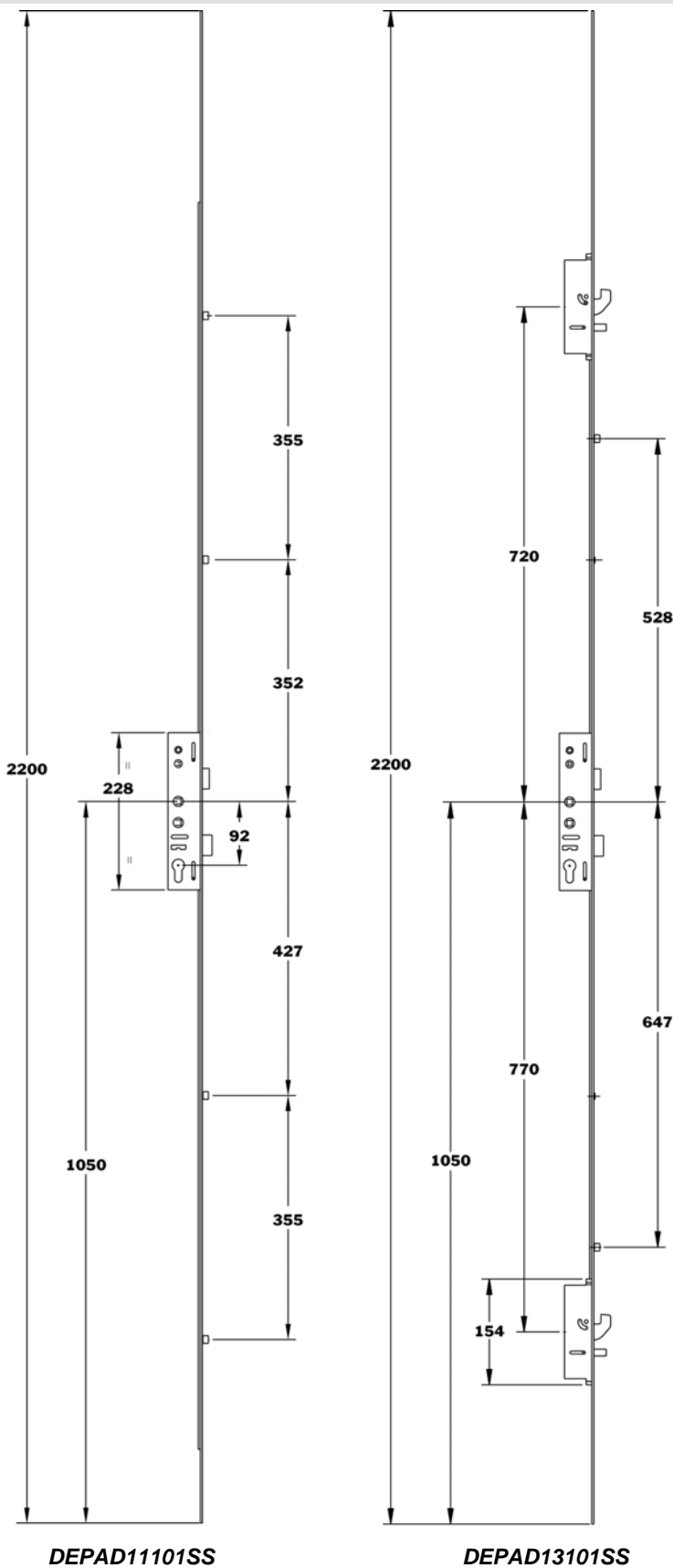
Corrosion resistance: Silver triklad is an upgraded plating specification giving products 240 hours neutral salt spray meeting the requirements of BS7412 Grade 4. The finish is also Chromium hexavalent 6 free, meeting the latest European (*green*) specification. Components plated to BS1706. 1990

NOTE: All unsprung door locks require sprung handles sets - see the Door Furniture section of this catalogue

Keeps to suit the D&E lockmaster range - see pages L-1012 to L-1016

D&E Lockmaster multi-point locks - unsprung

| | | |
|----------------|------|--|
| CI/SfB | | |
| 31/59 | Xt 7 | |
| September 2007 | | |



Sales: 01733 896123



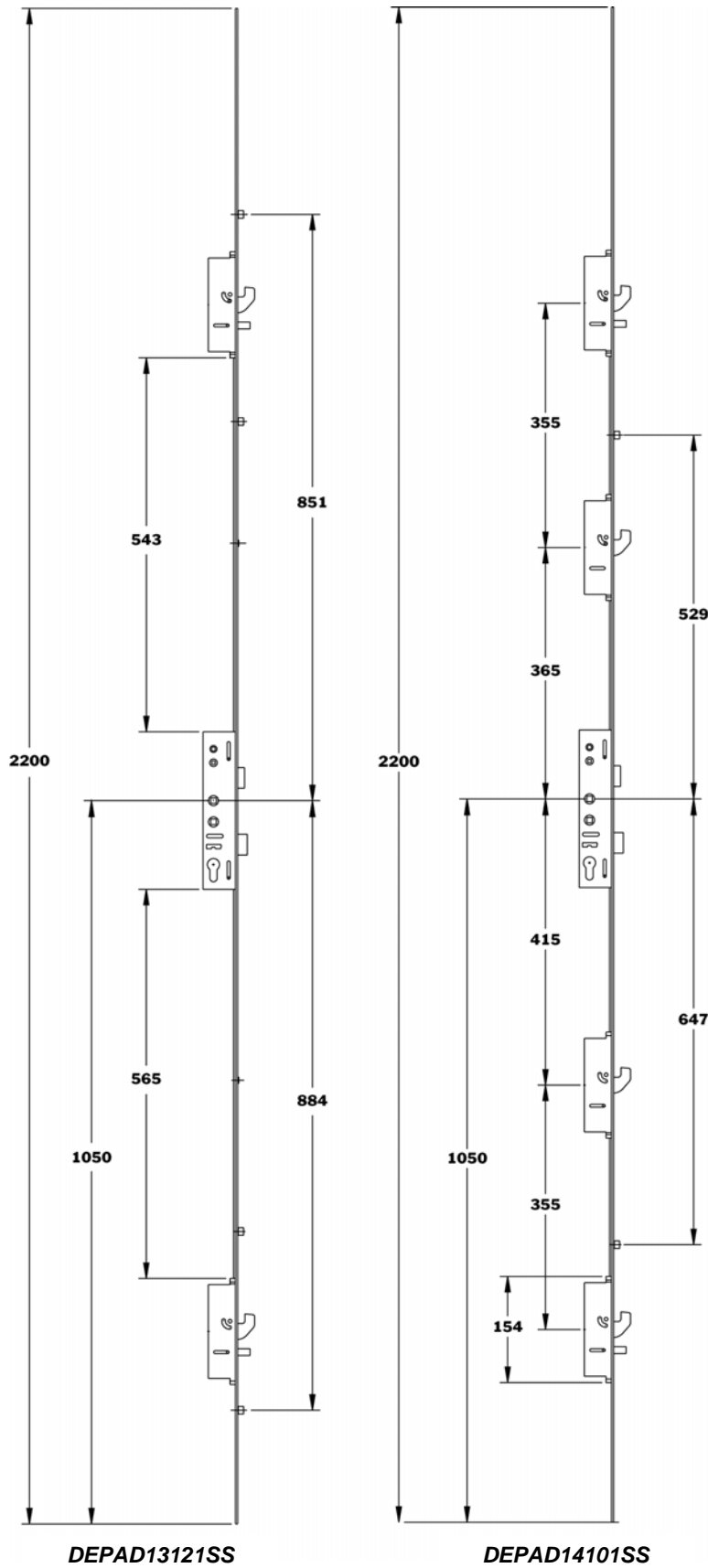
L-1002

Fax: 01733 894466

E&OE

D&E Lockmaster multi-point locks - unsprung

| | | |
|----------------|------|--|
| CI/SfB | | |
| 31/59 | Xt 7 | |
| September 2007 | | |



Sales: 01733 896123



L-1003

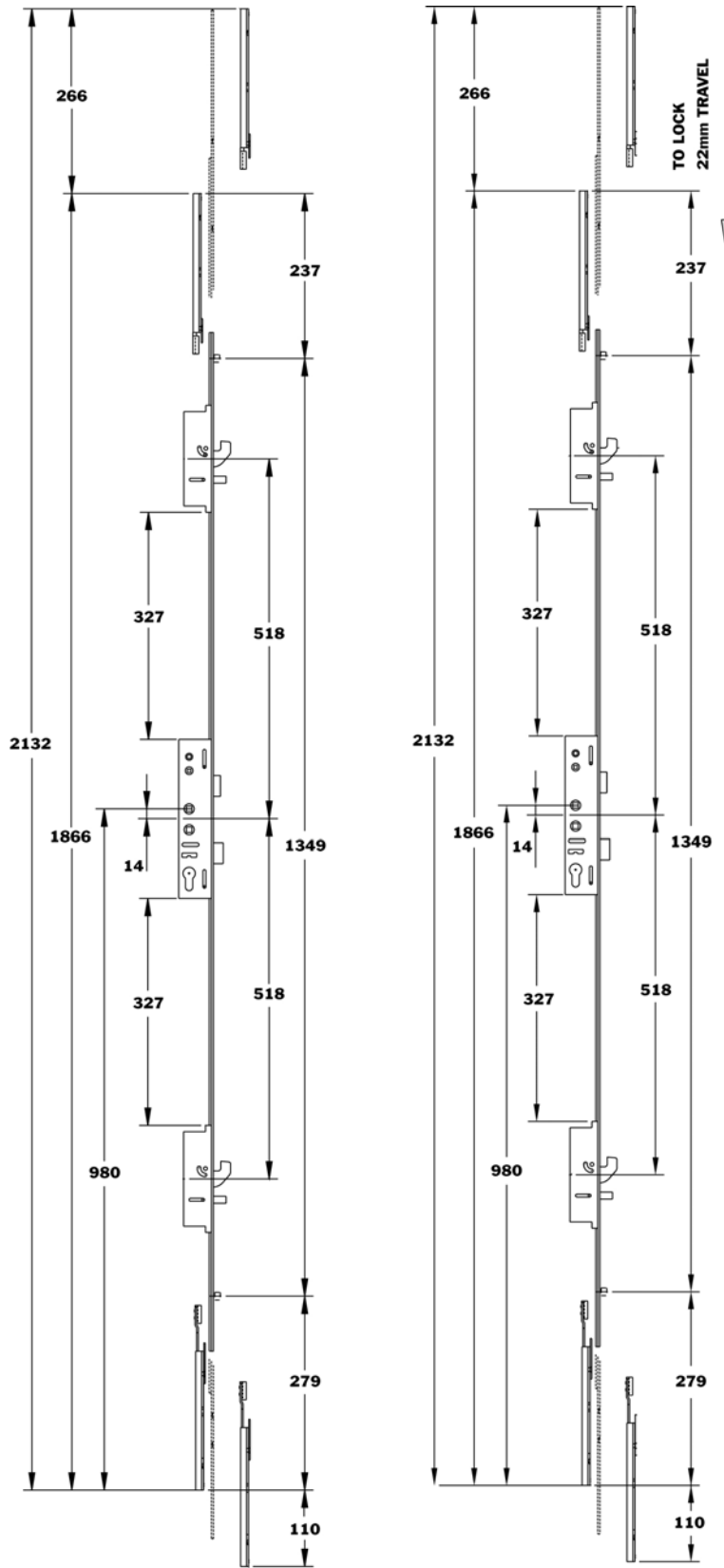
Fax: 01733 894466

E&OE

D&E Lockmaster multi-point locks - unsprung

| | | |
|----------------|------|--|
| CI/SfB | | |
| 31/59 | Xt 7 | |
| September 2007 | | |

NO QUIBBLE
10 YEARS
GUARANTEE



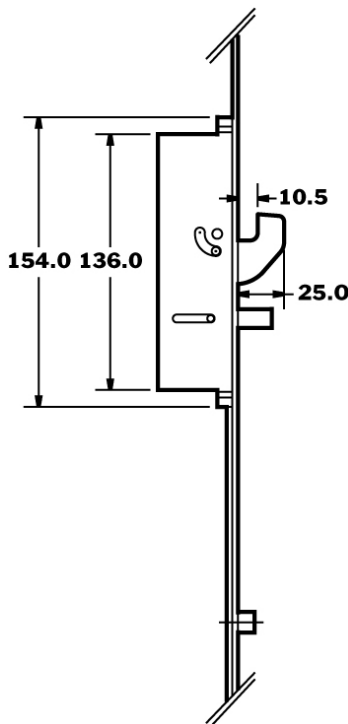
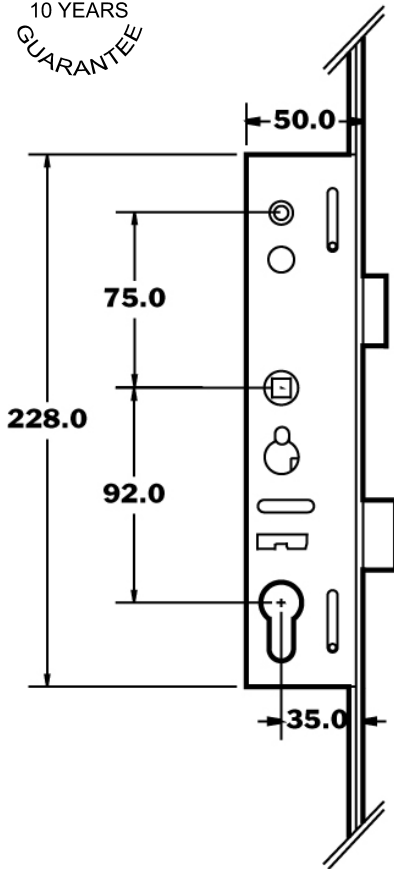
DEPAD45101SS

DEPAD45121S

NOTE:
Shootbolt extensions &
keeps supplied extra:
PAD90011SS / 90005SS



NO QUIBBLE
10 YEARS
GUARANTEE



Designed to meet and exceed the requirements of BBA, ABI, PAS 23 / 24 and the latest CEN European security and performance standards plus cycle tested to BS5872.

The sprung Lockmaster series has a single follower to give lift-lever operation for use with lever / lever furniture.

Pre-compression rollers are unique to the Lockmaster and ensure smooth action and positive door alignment.

Other features include deadbolt with hardened pins.

Lever / Lever door locks - sprung

| | | |
|--------------|--|----------------|
| DEPAD10100SS | 35mm backset, 4 roller, rev. latch & deadbolt | silver triklad |
| DEPAD13100SS | 35mm backset, 2 hook, 2 anti-lift pins, 2 roller, rev. latch & deadbolt | silver triklad |
| DEPAD13120SS | 35mm backset, 2 hook, 2 anti-lift pins, 4 roller, rev. latch & deadbolt | silver triklad |
| DEPAD14100SS | 35mm backset, 4 hook, 2 anti-lift pins, 2 roller, rev. latch & deadbolt | silver triklad |
| DEPAD45100SS | 35mm backset, 2 hook, 2 anti-lift pins, 2 roller, rev. latch & deadbolt, <i>extendable</i> | silver triklad |
| DEPAD45120SS | 35mm backset, 2 hook, 2 anti-lift pins, 4 roller, rev. latch & deadbolt, <i>extendable</i> | silver triklad |

Shoot bolts for extendable models

| | | |
|------------------------|---|----------------|
| DEPAD90011SS / 90005SS | 2 x shoot bolt extensions incl. keeps | silver triklad |
| DEPAD90012SS / 90005SS | 2 x high security shoot bolt extensions incl. keeps | silver triklad |

Corrosion resistance: Silver triklad is an upgraded plating specification giving products 240 hours neutral salt spray meeting the requirements of BS7412 Grade 4. The finish is also Chromium hexavalent 6 free, meeting the latest European (*green*) specification. Components plated to BS1706. 1990

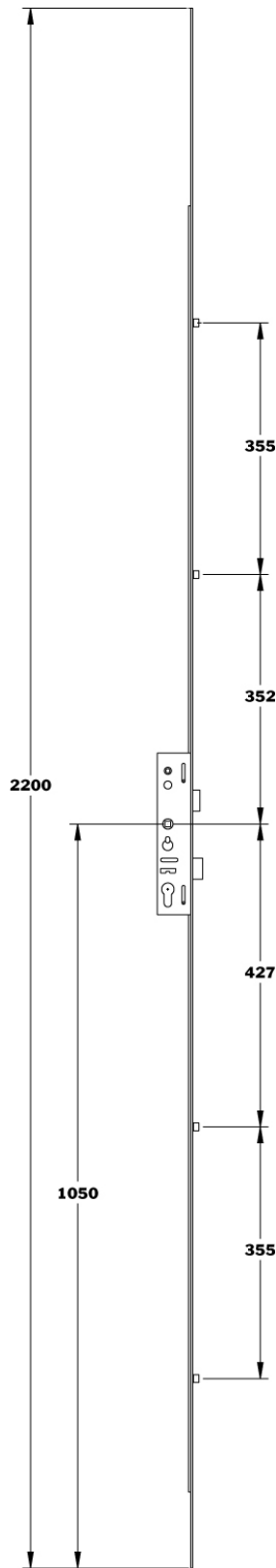
NOTE: *Nightlatch operation can not be achieved using the sprung lockmaster.*

All sprung door locks require unsprung handles sets - see the Door Furniture section of this catalogue

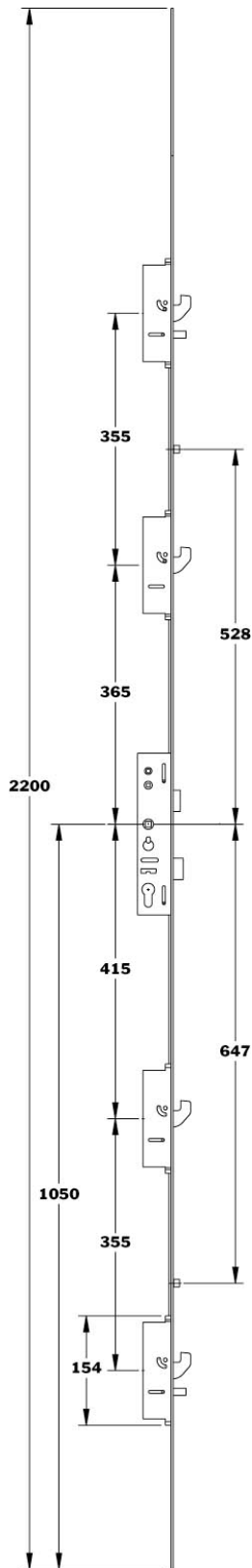
Keeps to suit the D&E lockmaster range - see pages L-1012 to L-1016

D&E Lockmaster multi-point locks - sprung

| | | |
|----------------|------|--|
| CI/SfB | | |
| 31/59 | Xt 7 | |
| September 2007 | | |



DEPAD10100SS



DEPAD14100SS

Sales: 01733 896123



L-1006

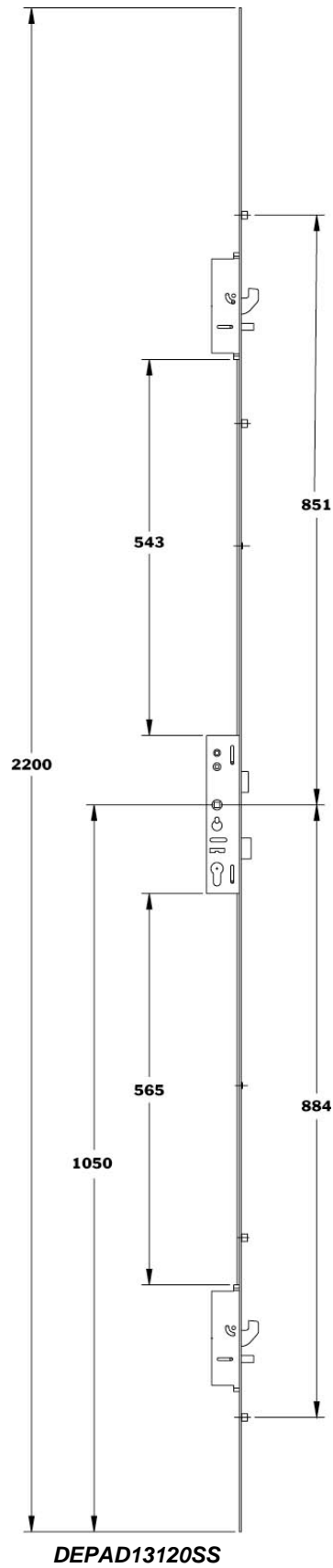
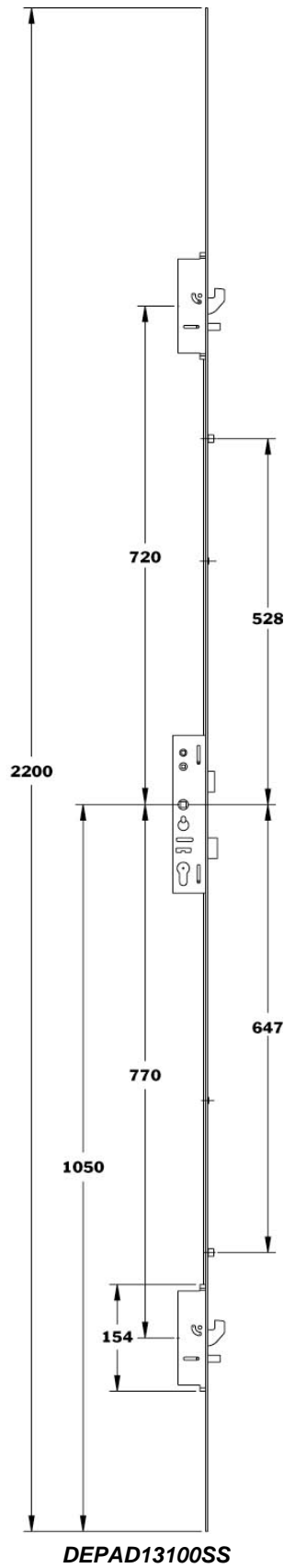
Fax: 01733 894466

E&OE

D&E Lockmaster multi-point locks - sprung

| | | |
|----------------|------|--|
| CI/SfB | | |
| 31/59 | Xt 7 | |
| September 2007 | | |

NO QUIBBLE
10 YEARS
GUARANTEE



Sales: 01733 896123



L-1007

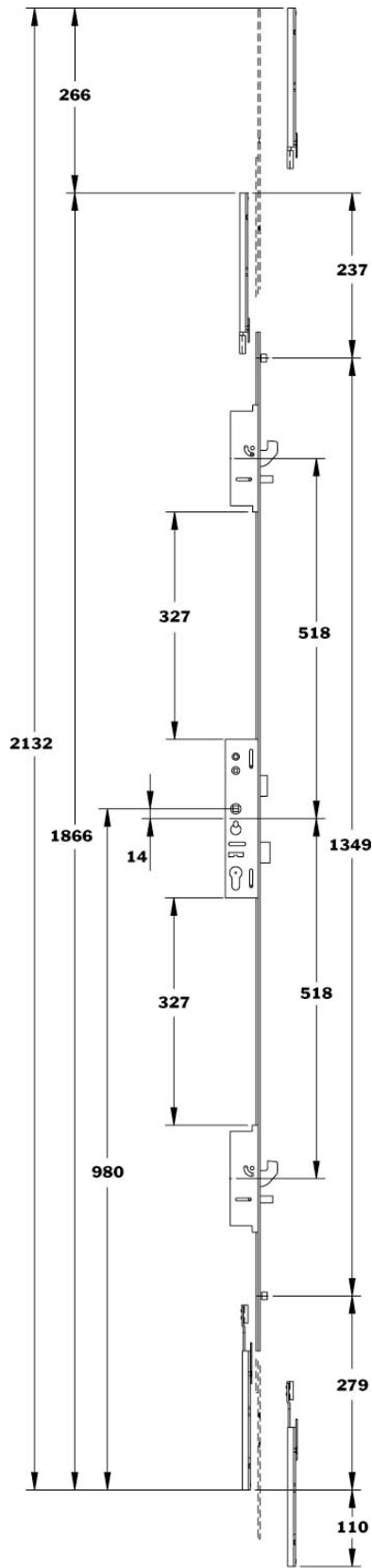
Fax: 01733 894466

E&OE

D&E Lockmaster multi-point locks - sprung

| | | |
|----------------|------|--|
| CI/SfB | | |
| 31/59 | Xt 7 | |
| September 2007 | | |

NO QUIBBLE
10 YEARS
GUARANTEE



NOTE:
Shootbolt extensions &
keys supplied extra:
DEPAD90011SS / 90005SS

PAD45100SS

Sales: 01733 896123



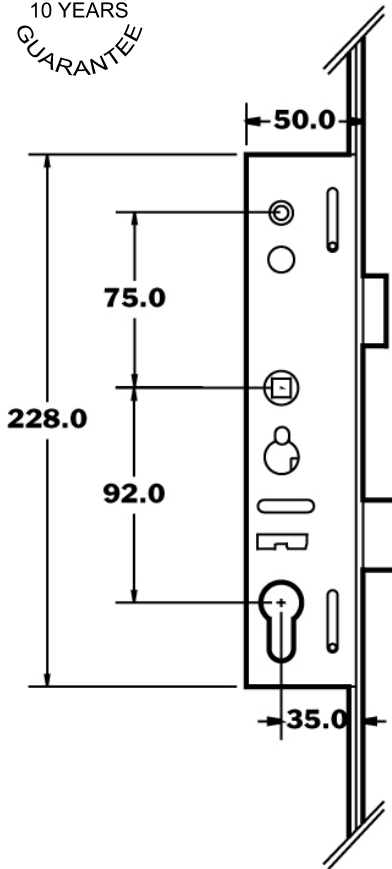
L-1008

Fax: 01733 894466

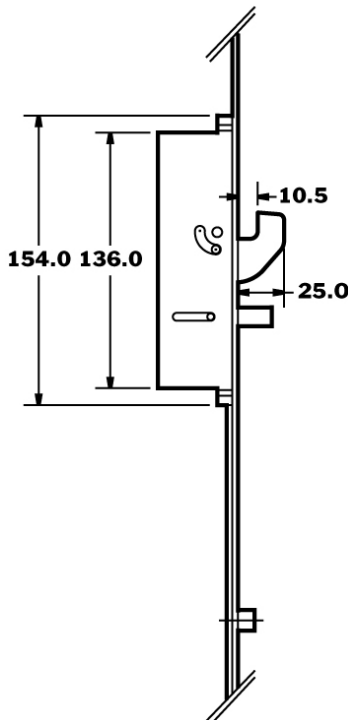
E&OE

| | | |
|----------------|------|--|
| CI/SfB | | |
| 31/59 | Xt 7 | |
| September 2007 | | |

NO QUIBBLE
10 YEARS
GUARANTEE



Hook-Case



Designed to meet and exceed the requirements of BBA, ABI, PAS 23 / 24 and the latest CEN European security and performance standards plus cycle tested to BS5872.

The sprung Lockmaster series specifically designed for use on french doors, has a single follower to give lift-lever operation for use with lever / lever furniture.

Pre-compression rollers are unique to the Lockmaster and ensure smooth action and positive door alignment.

Other features include deadbolt with hardened pins.

French door door locks - sprung

| | | |
|--------------|--|----------------|
| DEPAD30100SS | 35mm backset, slave door lock | silver triklad |
| DEPAD31100SS | 35mm backset, 2 roller, rev. latch & deadbolt, <i>extendable</i> | silver triklad |
| DEPAD32100SS | 35mm backset, 2 hook, 2 roller, rev. latch & deadbolt, <i>extendable</i> | silver triklad |
| DEPAD34100SS | 35mm backset, 2 hook, 2 anti-lift pins, 2 roller, rev. latch & deadbolt, <i>extendable</i> | silver triklad |

Shoot bolts for extendable models

| | | |
|------------------------|---|----------------|
| DEPAD90011SS / 90005SS | 2 x shoot bolt extensions incl. keeps | silver triklad |
| DEPAD90012SS / 90005SS | 2 x high security shoot bolt extensions incl. keeps | silver triklad |

Corrosion resistance:

Silver triklad is an upgraded plating specification giving products 240 hours neutral salt spray meeting the requirements of BS7412 Grade 4. The finish is also Chromium hexavalent 6 free, meeting the latest European (*green*) specification. Components plated to BS1706. 1990

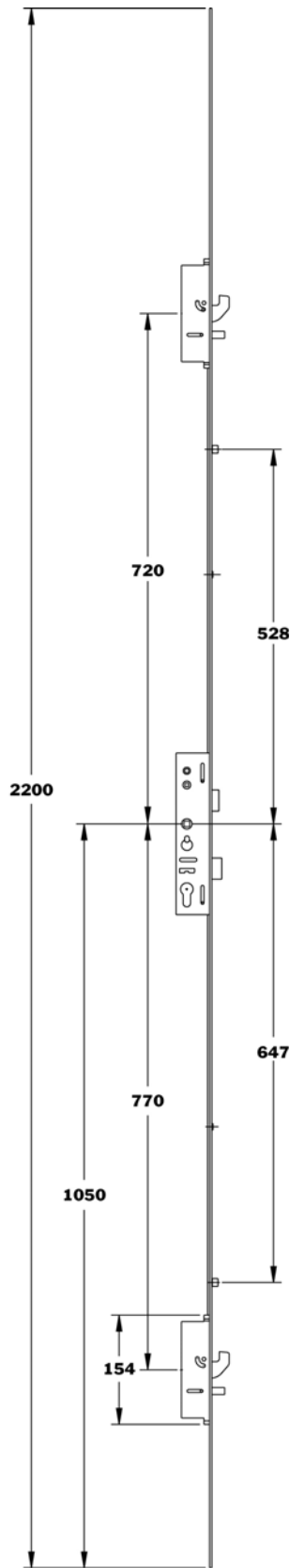
NOTE: *Nightlatch operation can not be achieved using the sprung lockmaster.*

All sprung door locks require unsprung handles sets - see the Door Furniture section of this Catalogue.

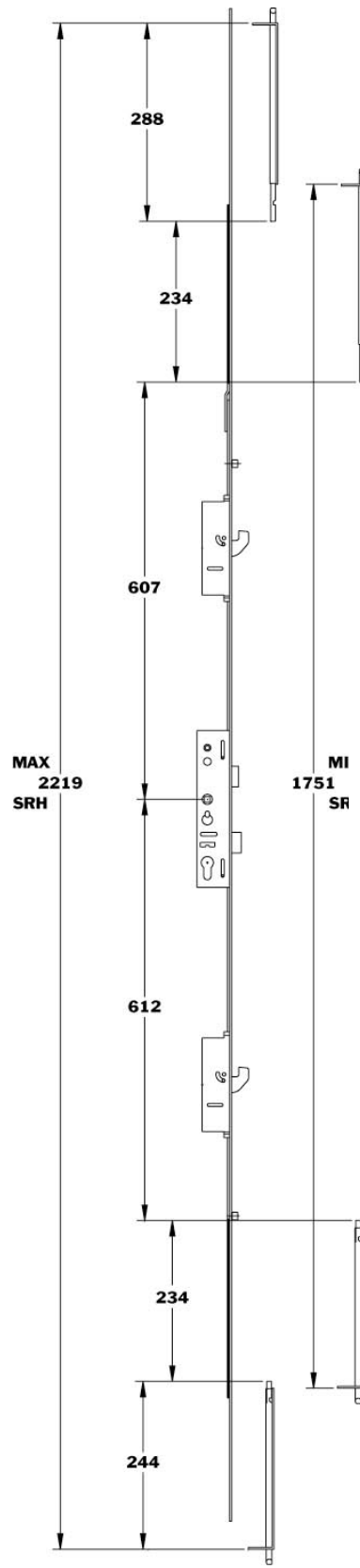
Keeps to suit the D&E lockmaster range - see pages L-1012 to L-1016

D&E Lockmaster multi-point locks - French door

| | | |
|----------------|-------|------|
| CI/SfB | 31/59 | Xt 7 |
| September 2007 | | |



DEPAD13100SS



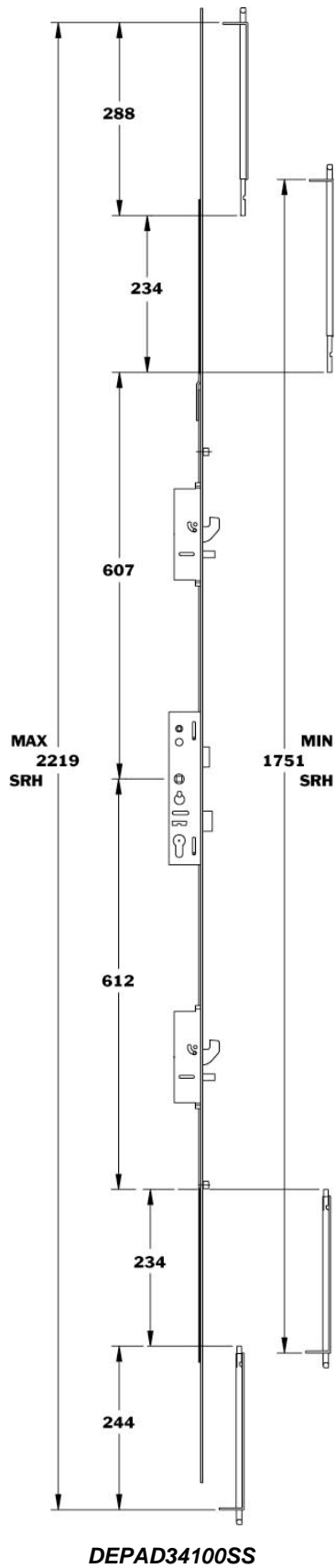
DEPAD32100SS

NOTE:
 Shootbolt extensions &
 keeps supplied extra:
PAD90011SS / 90005SS



D&E Lockmaster multi-point locks - French door

| | | |
|----------------|-------|------|
| CI/SfB | 31/59 | Xt 7 |
| September 2007 | | |



NOTE:
Shootbolt extensions &
keeps supplied extra:
PAD90011SS / 90005SS

Sales: 01733 896123



L-1011

Fax: 01733 894466

E&OE

The extensive range of keeps to complement the D&E Lockmaster door bolts for residential and french doors.

For aluminium & timber applications please contact the sales team.

Profile packers are available if required - please specify profile when ordering

DEPAD90004 box strike insert

Door lock keeps

| | | |
|----------------|---|----------------|
| DEPAD90021/LH | centre latch / deadbolt plate - LH | silver triklad |
| DEPAD90022/RH | centre latch / deadbolt plate - RH | silver triklad |
| DEPAD90023 | combined hook with anti-lift & roller keeps with box strike | silver triklad |
| DEPAD90061S/LH | combined hook & 2 roller keep - LH | silver triklad |
| DEPAD90062S/RH | combined hook & 2 roller keep - RH | silver triklad |
| DEPAD90007SS | single hook keep | silver triklad |

French door shootbolt keep

| | | |
|--------------|----------------------------|----------------|
| DEPAD90005SS | single adj. shootbolt keep | silver triklad |
| DEPAD90006SS | double adj. shootbolt keep | silver triklad |

Residential door shootbolt keeps

| | | |
|--------------|----------------------------|----------------|
| DEPAD90015SS | single shootbolt keep | silver triklad |
| DEPAD90051SS | single adj. shootbolt keep | silver triklad |

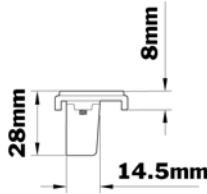
One piece high security keeps

| | | |
|----------------|--|----------------|
| DEPAD90041S/LH | to suit DEPAD13100SS & DEPAD13101SS - LH | silver triklad |
| DEPAD90042S/RH | to suit DEPAD13100SS & DEPAD13101SS - RH | silver triklad |
| DEPAD90043S/LH | to suit DEPAD13120SS DEPAD13121SS - LH | silver triklad |
| DEPAD90044S/RH | to suit DEPAD13120SS DEPAD13121SS - RH | silver triklad |
| DEPAD90045S/LH | to suit DEPAD32100SS - LH | silver triklad |
| DEPAD90046S/RH | to suit DEPAD32100SS - RH | silver triklad |
| DEPAD90107S/LH | to suit DEPAD45100SS - LH | silver triklad |
| DEPAD90108S/RH | to suit DEPAD45100SS - RH | silver triklad |

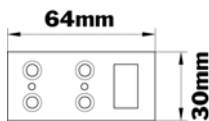
Corrosion resistance: Silver triklad is an upgraded plating specification giving products 240 hours neutral salt spray meeting the requirements of BS7412 Grade 4. The finish is also Chromium hexavalent 6 free, meeting the latest European (*green*) specification. Components plated to BS1706. 1990



DEPAD90004
Box strike insert

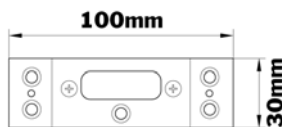


Box strike dimensions



DEPAD90015SS
Single non-adjustable shootbolt keep

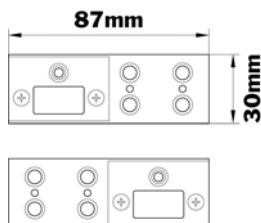
Requires 2 profile packers



DEPAD90005SS
Single adjustable shootbolt keep - supplied in pairs

DEPAD90052S
Single adjustable shootbolt keep with box strike - supplied in pairs

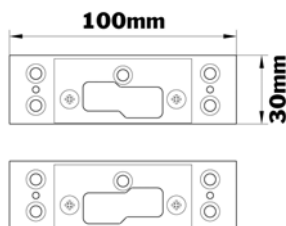
Requires 2 profile packers



DEPAD90051S
Single adjustable shootbolt keep - supplied in pairs

DEPAD90053S
Single adjustable shootbolt keep with box strike - supplied in pairs

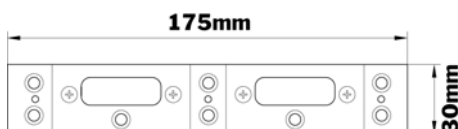
Requires 2 profile packers



DEPAD90026SS
Single adjustable offset shootbolt keep - supplied in pairs

DEPAD90055
Single adjustable offset shootbolt keep with box strike - supplied in pairs

Requires 2 profile packers

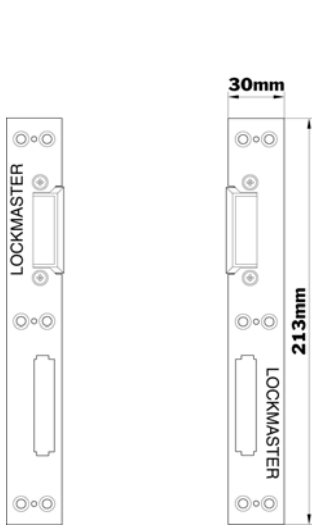


DEPAD90006SS
Double adjustable shootbolt keep

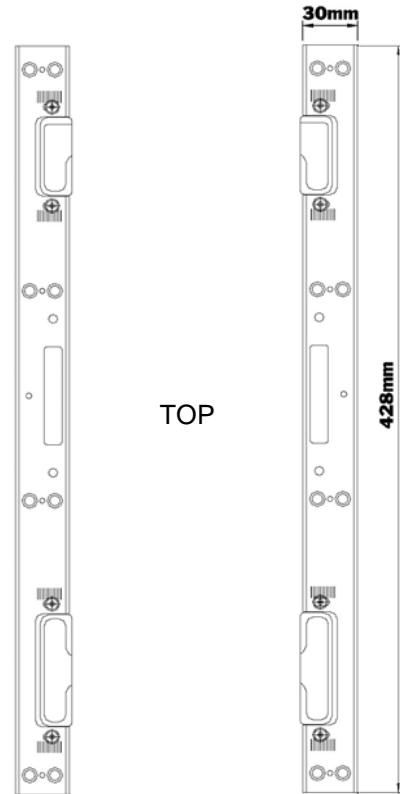
DEPAD90054S
Single adjustable offset shootbolt keep with box strike

Requires 2 profile packers

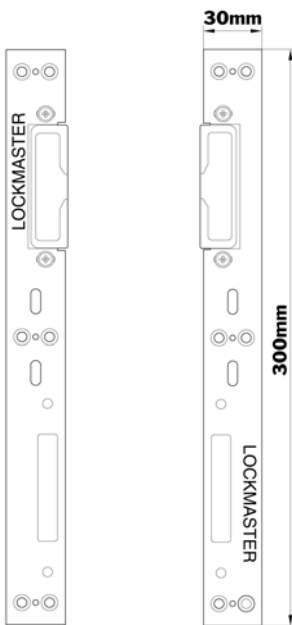
| | | |
|----------------|------|--|
| CI/SfB | | |
| 31/59 | Xt 7 | |
| September 2007 | | |



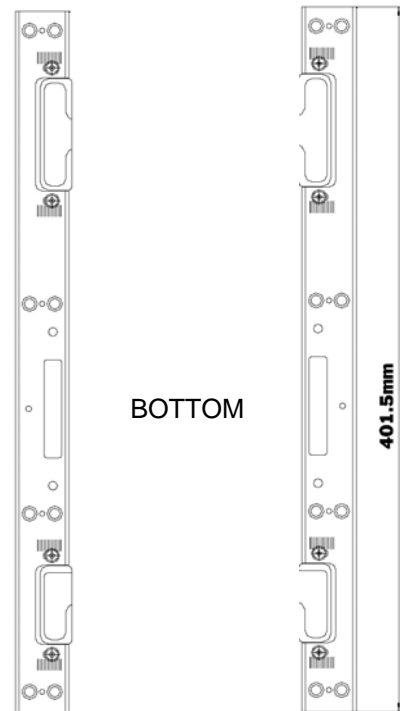
DEPAD90021/LH DEPAD90022/RH
 Centre latch & deadbolt plates.
 Requires 3 profile packers per keep



TOP



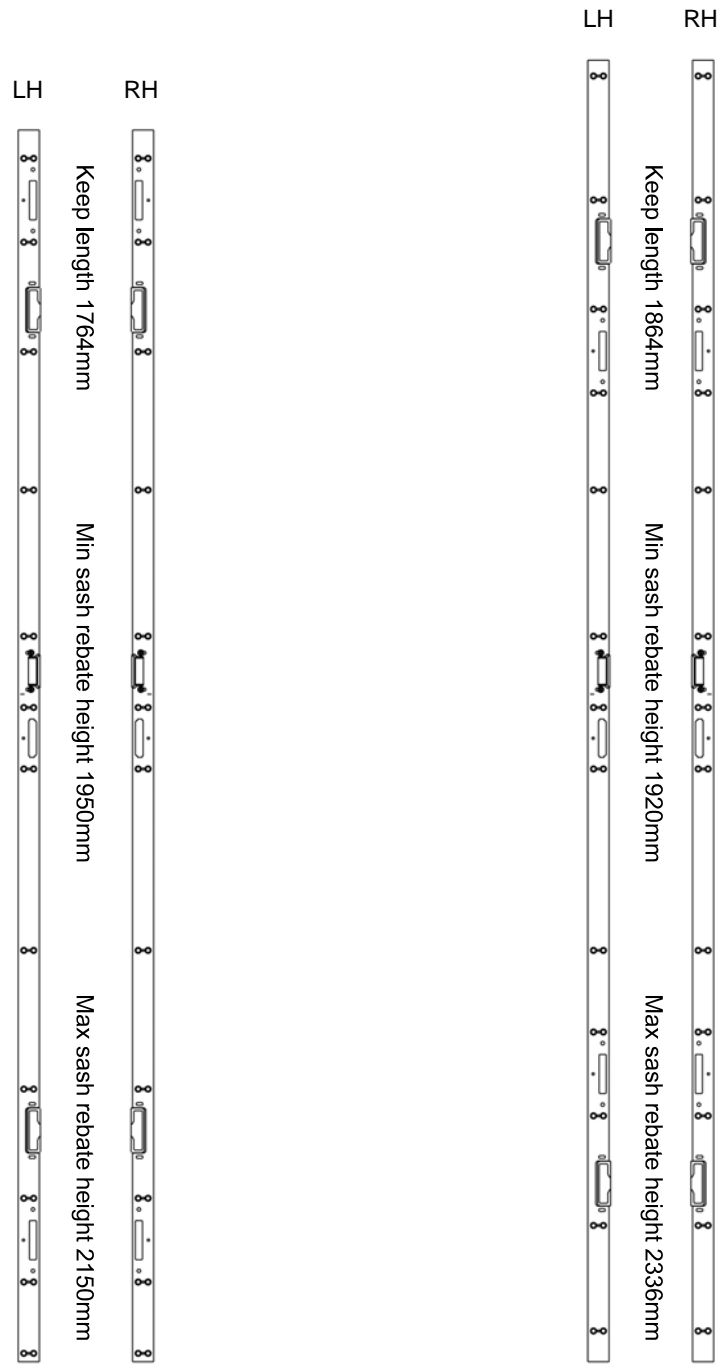
DEPAD90023
 Combined hook & roller keep - (supplied in pairs)
 Requires 3 profile packers per keep



BOTTOM

DEPAD90061S/LH DEPAD90062S/RH
 Combined hook & 2 roller keep - (supplied in pairs)
 Requires 4 profile packers per keep

| | | |
|----------------|------|--|
| CI/SfB | | |
| 31/59 | Xt 7 | |
| September 2007 | | |



DEPAD90041S/LH DEPAD90042S/RH

For use with
DEPAD13100SS & DEPAD13101SS

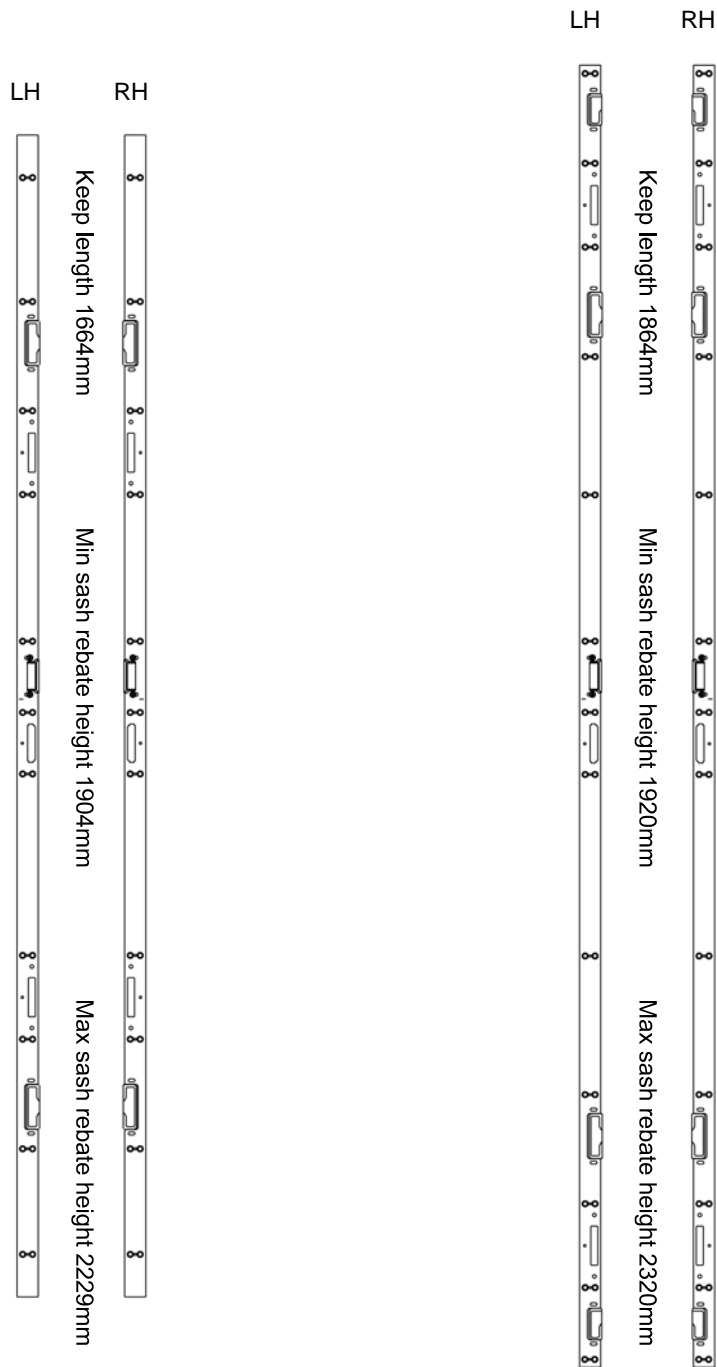
Requires 12 profile packers

DEPAD90107S/LH DEPAD90108S/RH

For use with
DEPAD45100SS & DEPAD45101SS

Requires 12 profile packers

| | | |
|----------------|------|--|
| CI/SfB | | |
| 31/59 | Xt 7 | |
| September 2007 | | |



DEPAD90045S/LH DEPAD90046S/RH

For use with
DEPAD32100SS
Requires 12 profile packers

DEPAD90043S/LH DEPAD90044S/RH

For use with
DEPAD13120SS & DEPAD13121SS
Requires 12 profile packers

| | | |
|----------------|------|--|
| CI/SfB | | |
| 31/59 | Xt 7 | |
| September 2007 | | |

The D&E Maco 'lift lever' & 'turn key' to lock range of multi-point door locks have a central lockcase comprising of a latch & deadbolt with a 20mm throw.

Other locking points include hooks with a 24mm throw & self height adjusting 'I.S.' (*Intelligent Security*) mushroom cams which can be used as either a standard cam or a mushroom cam for extra security.

Multi-point locks for PVCu doors

| | | |
|------------|---|----------------|
| DEMAC56211 | 35mm backset, 4 I.S. cams, rev. latch & deadbolt | silver triklad |
| DEMAC56231 | 35mm backset, 4 I.S. cams, 2 hook rev. latch & deadbolt - <i>extendable</i> | silver triklad |

Multi-point locks for composite / timber doors

| | | |
|------------|---|----------------|
| DEMAC53581 | 35mm backset, 4 hook, rev. latch & deadbolt | silver triklad |
|------------|---|----------------|

Shoot bolts for extendable models

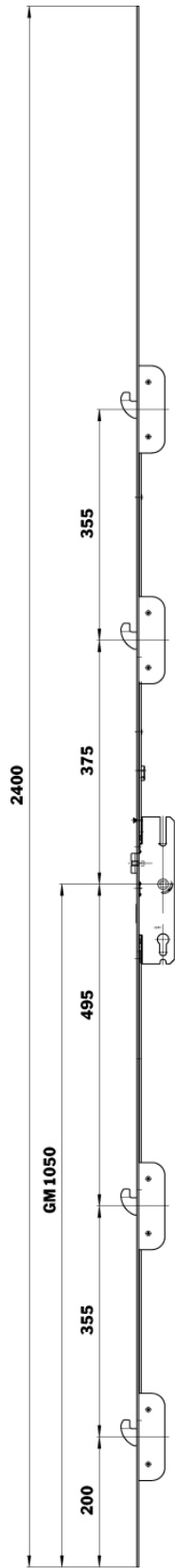
| | | |
|------------|---|----------------|
| DESBT55209 | 2 x shoot bolt extensions - 300mm | silver triklad |
| DESBT55210 | 2 x shoot bolt extensions with I.S. cam - 500mm | silver triklad |
| DESBT55211 | reverse action shootbolt with I.S. cam - 300mm | silver triklad |

Corrosion resistance: Silver triklad is an upgraded plating specification giving products 240 hours neutral salt spray meeting the requirements of BS7412 Grade 4.

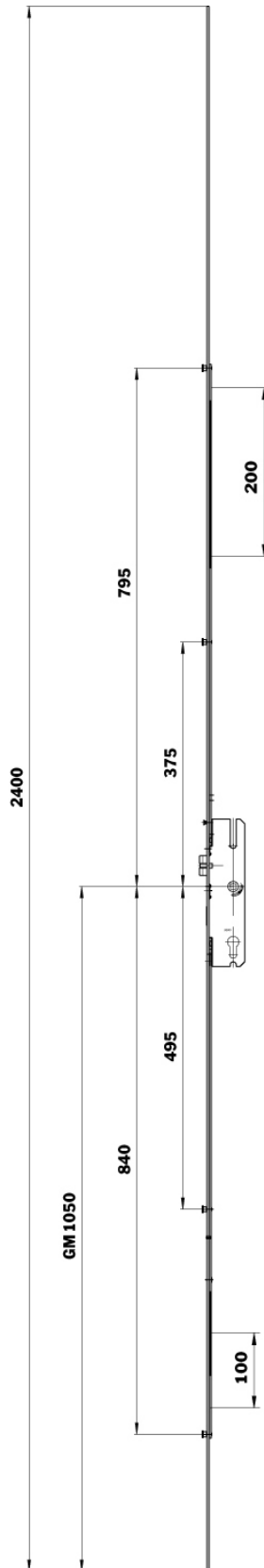
NOTE: All keeps for the D&E Maco range are profile related. If you require a keep, please ensure you have your profile name and / or number.

All sprung door locks require unsprung handles sets - see the Door Furniture section of this catalogue

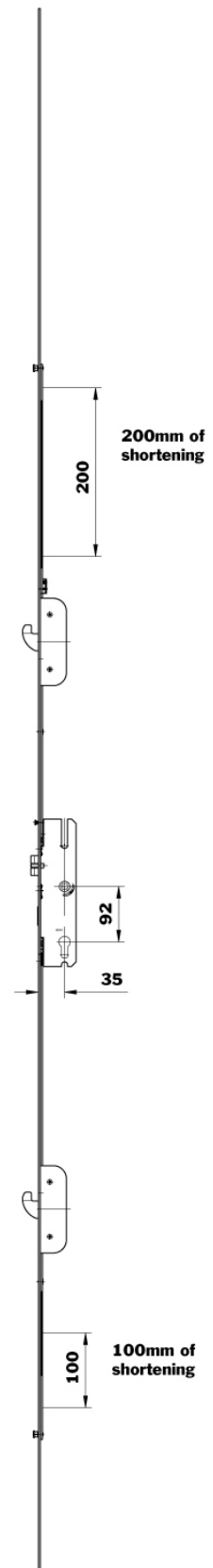
| | | |
|----------------|------|--|
| CI/SfB | | |
| 31/59 | Xt 7 | |
| September 2007 | | |



DEMAC53581



DEMAC56211



DEMAC56231

| | | |
|----------------|-------|------|
| CI/SfB | 31/59 | Xt 7 |
| September 2007 | | |

The D&E Maco multi-point door locks with 'split spindle' & 'nightlatch' for extra security, have a central lockcase comprising of a latch & deadbolt with a 20mm throw .

Other locking points include hooks with a 24mm throw & self height adjusting 'I.S.' (*Intelligent Security*) mushroom cams which can be used as either a standard cam or a mushroom cam for extra security.

Split spindle multi-point locks for PVCu doors

DEMAC56301 35mm backset, 2 I.S. cams, 2 hook
rev. latch & deadbolt - *extendable* silver triklad

Split spindle multi-point locks for composite / timber doors

DEMAC54201 35mm backset, 4 hook, rev. latch
& deadbolt silver triklad

D&E split spindle kit

DESP5004/120 split spindle kit - 55 / 65mm

Length: 120mm
Diameter: 8mm

Shoot bolts for extendable models

DESBT55209 2 x shoot bolt extensions - 300mm silver triklad

DESBT55210 2 x shoot bolt extensions with
I.S. cam- 500mm silver triklad

DESBT55211 reverse action shootbolt with
I.S. cam - 300mm silver triklad

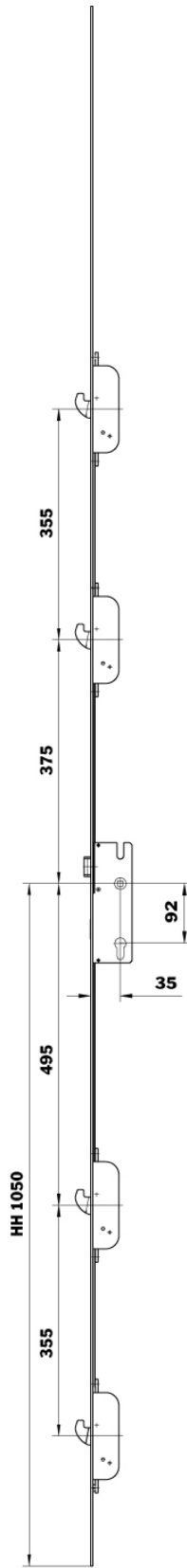
Corrosion resistance: Silver triklad is an upgraded plating specification giving products 240 hours neutral salt spray meeting the requirements of BS7412 Grade 4.

NOTE: All keeps for the D&E Maco range are profile related. If you require a keep, please ensure you have your profile name and / or number.

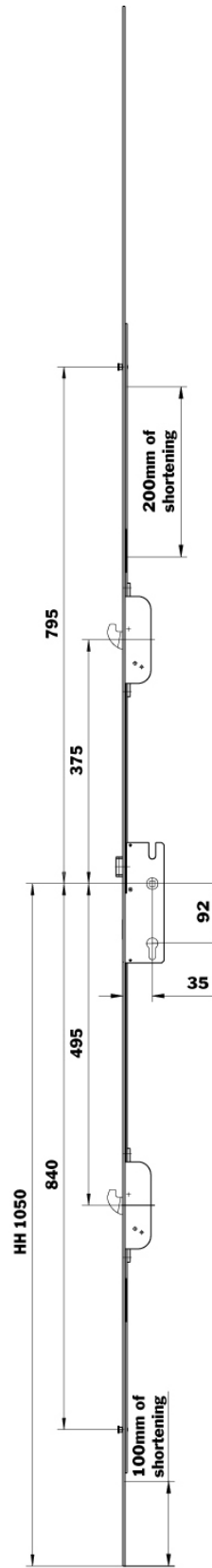
All sprung door locks require unsprung handles sets - see the Door Furniture section of this catalogue

D&E Maco multi-point locks - split spindle

| | | |
|----------------|------|--|
| CI/SfB | | |
| 31/59 | Xt 7 | |
| September 2007 | | |



DEMAC54201



DEMAC56301

| | | |
|----------------|-------|------|
| CI/SfB | 31/59 | Xt 7 |
| September 2007 | | |

The D&E Maco multi-point door locks with 'split spindle' & 'nightlatch' for extra security, have a central lockcase comprising of a latch & deadbolt with a 20mm throw .

Other locking points include hooks with a 24mm throw & self height adjusting 'I.S.' (*Intelligent Security*) mushroom cams which can be used as either a standard cam or a mushroom cam for extra security.

Multi-point locks for PVCu french doors

| | | |
|------------|---|----------------|
| DEMAC53431 | 35mm backset, 2 hook, rev. latch & deadbolt - <i>extendable</i> | silver triklad |
| DEMAC53441 | 35mm backset, slave door lock | silver triklad |
| DEMAC56291 | 35mm backset, 2 'I.S.' cam, rev. latch & deadbolt - <i>extendable</i> | silver triklad |

D&E split spindle

| | |
|--------------|---------------------------|
| DESP5004/120 | split spindle - 55 / 65mm |
| Length: | 120mm |
| Diameter: | 8mm |

Shoot bolts for extendable models

| | | |
|------------|--|----------------|
| DESBT55209 | 2 x shoot bolt extensions - 300mm | silver triklad |
| DESBT55210 | 2 x shoot bolt extensions with I.S. cam- 500mm | silver triklad |
| DESBT55211 | reverse action shootbolt with I.S. cam - 300mm | silver triklad |

Corrosion resistance: Silver triklad is an upgraded plating specification giving products 240 hours neutral salt spray meeting the requirements of BS7412 Grade 4.

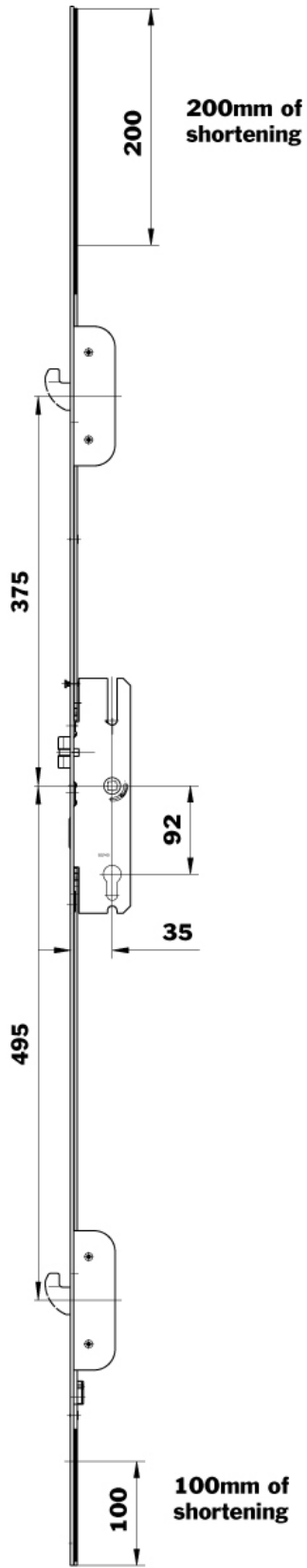
NOTE: All keeps for the D&E Maco range are profile related. If you require a keep, please ensure you have your profile name and / or number.

All sprung door locks require unsprung handles sets - see the Door Furniture section of this catalogue

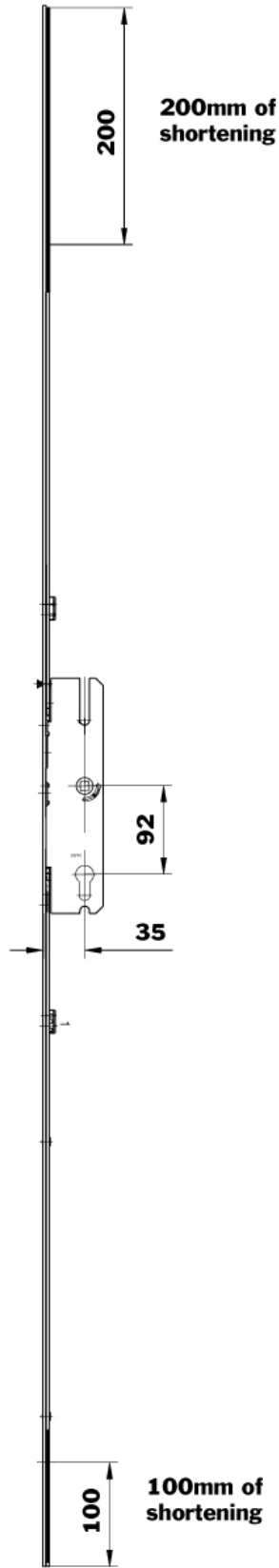
A split spindle pack will also be required - see page L-1038

D&E Maco multi-point locks - french doors

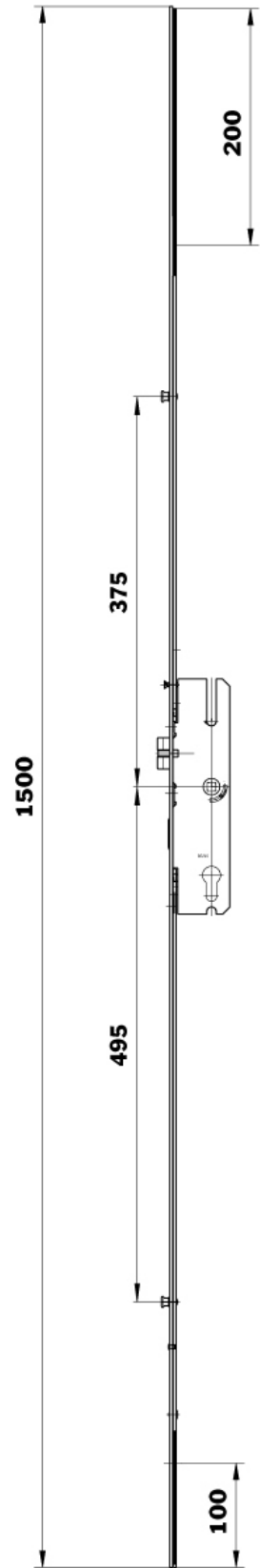
| | | |
|----------------|------|--|
| CI/SfB | | |
| 31/59 | Xt 7 | |
| September 2007 | | |



DEMAC53431



DEMAC53441



DEMAC56291

| | | |
|----------------|------|--|
| CI/SfB | | |
| 31/59 | Xt 7 | |
| September 2007 | | |

The D&E Ferco are available in a range of options - lever / lever, Europa 'Plus' Fastlock & Nightlatch.

Central & remote deadbolts project 20mm whilst the hooks have a 23mm throw. Additional security features include adjustable compressions roller cams & adjustable anti-jemmy steel mushroom cams.

Europa lever / lever operation

| | | |
|------------|---|----------------|
| DEFER32581 | 28mm backset, 4 roller, rev. latch & deadbolt - <i>extendable</i> | silver triklad |
| DEFER32771 | 28mm backset, 2 mushroom, 2 roller, rev. latch & deadbolt - <i>extendable</i> | silver triklad |
| DEFER32755 | 28mm backset, 3 deadbolts & rev. latch - <i>extendable</i> | silver triklad |
| DEFER32487 | 28mm backset, 2 hook, rev. latch & deadbolt - <i>extendable</i> | silver triklad |
| DEFER32580 | 35mm backset, 4 roller, rev. latch & deadbolt - <i>extendable</i> | silver triklad |
| DEFER32770 | 35mm backset, 2 mushroom, 2 roller, rev. latch & deadbolt - <i>extendable</i> | silver triklad |
| DEFER32754 | 35mm backset, 3 deadbolts & rev. latch - <i>extendable</i> | silver triklad |
| DEFER32218 | 35mm backset, 3 offset deadbolts & rev. latch - <i>extendable</i> | silver triklad |
| DEFER32486 | 35mm backset, 2 hook, rev. latch & deadbolt - <i>extendable</i> | silver triklad |
| DEFER32602 | 35mm backset, 2 hook, 2 roller, rev. latch & deadbolt - <i>extendable</i> | silver triklad |

Europa 'Plus' Fastlock

| | | |
|------------|---|----------------|
| DEFER33106 | 35mm backset, 2 hook, rev. latch & deadbolt - <i>extendable</i> | silver triklad |
|------------|---|----------------|

Europa Nightlatch*

| | | |
|------------|---|----------------|
| DEFER32600 | 35mm backset, 2 hook, rev. latch & deadbolt - <i>extendable</i> | silver triklad |
| DEFER32610 | 35mm backset, 2 hook, 2 roller, rev. latch & deadbolt - <i>extendable</i> | silver triklad |
| DEFER32694 | 35mm backset, 4 roller, rev. latch & deadbolt - <i>extendable</i> | silver triklad |

D&E half spindle



For use with PVCu handles with a bolt through fixing - lever / offset lever or pad.

| | | |
|-------------|---------------------|------------------------------|
| DESP5011/55 | half spindle - 55mm | <i>Supplied individually</i> |
| DESP5011/65 | half spindle - 65mm | <i>as profile related</i> |
| DESP5011/75 | half spindle - 75mm | <i>related</i> |

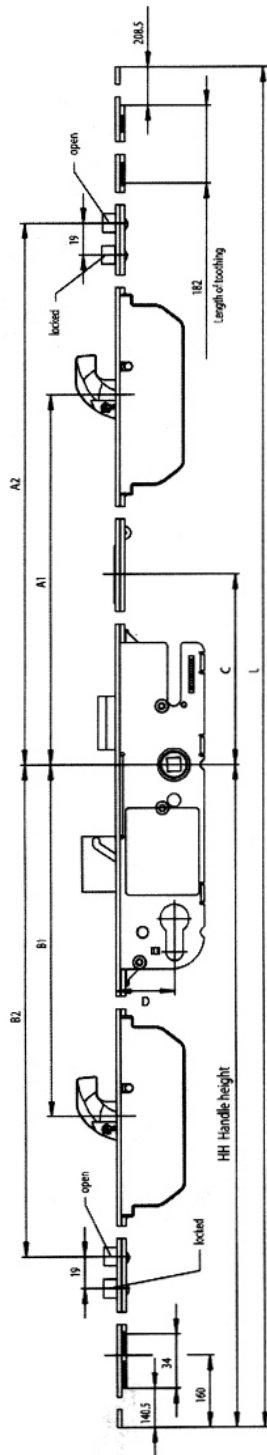
Diameter: 8mm

* To obtain nightlatch operation you must use 2 'half spindles' with every multi-point lock. If you require a Spindle kit, they are profile specific so please ensure you have your profile name and / or number.

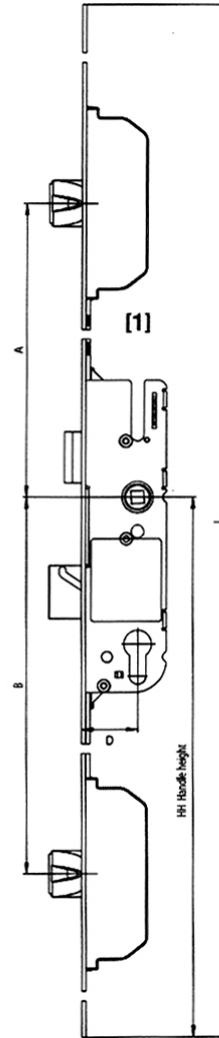
Corrosion resistance: Silver triklad is an upgraded plating specification giving products 240 hours neutral salt spray meeting the requirements of BS7412 Grade 4.

NOTE: All unsprung door locks require sprung handles sets - see the Door Furniture section of this catalogue

Keeps to suit the D&E GU Ferco range - see pages L-1031 & L-1032



Face plate - 16mm
Centres - 92mm
8mm spindle



DEFER32602

Europa Lever / lever

| | |
|----|--------|
| A1 | 568mm |
| B1 | 660mm |
| C | 345mm |
| L | 2285mm |

DEFER32610

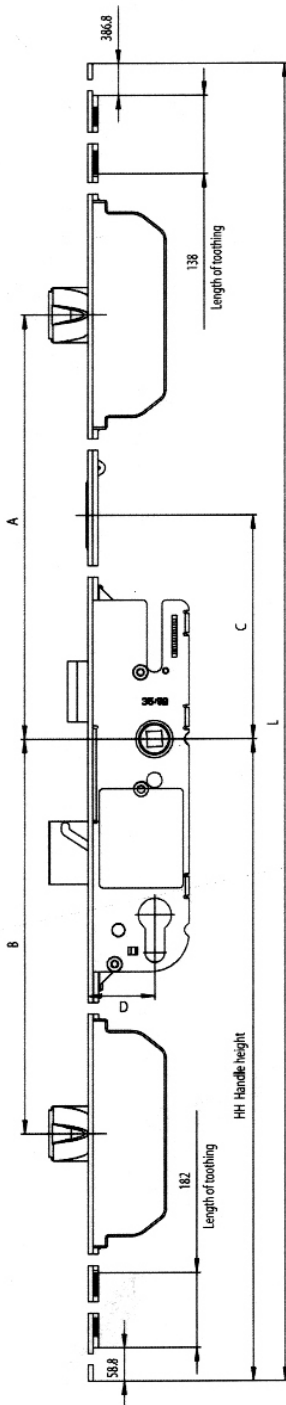
Europa Nightlatch

| | |
|----|---------|
| A2 | 768.5 |
| B2 | 809.5mm |
| HH | 1050mm |

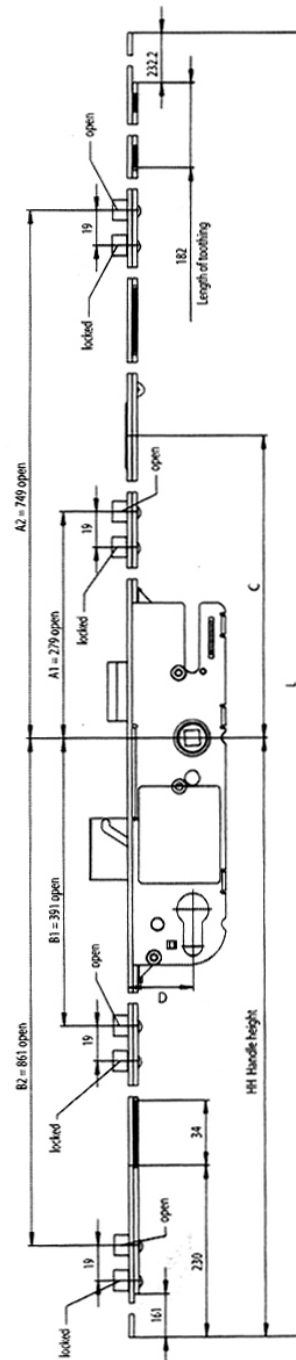
DEFER32218

Europa Lever / lever - 35mm backset

| | | | |
|----|---------|---|---------|
| A | 737.5mm | B | 872.5mm |
| HH | 100mm | L | 2285mm |



Face plate - 16mm
Centres - 92mm
8mm spindle



DEFER32754
Europa Lever / lever - 35mm backset

| | |
|---|--------|
| A | 568mm |
| C | 345mm |
| L | 2285mm |

DEFER32755
Europa Lever / lever - 28mm backset

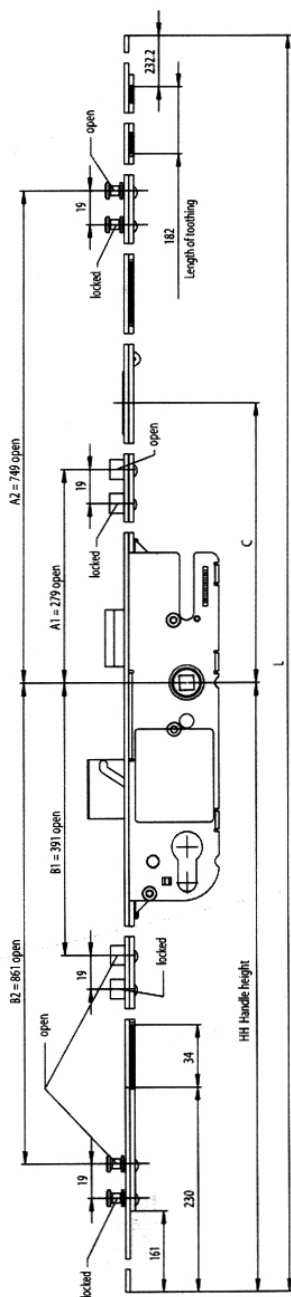
| | |
|----|-------|
| B | 660mm |
| HH | 105mm |

DEFER32580
Europa Lever / lever - 35mm backset

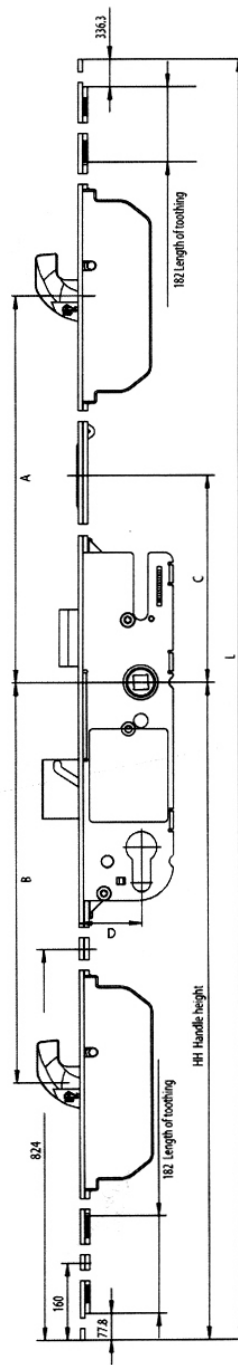
| | |
|----|--------|
| A1 | 279mm |
| B1 | 391mm |
| C | 415mm |
| L | 2285mm |

DEFER32581
Europa Lever / lever - 28mm backset

| | |
|----|--------|
| A2 | 749mm |
| B2 | 861mm |
| HH | 1050mm |



Face plate - 16mm
Centres - 92mm
8mm spindle



DEFER32770
Europa Lever / lever - 35mm backset

| | |
|----|--------|
| A1 | 279mm |
| B1 | 391mm |
| C | 415mm |
| L | 2285mm |

DEFER32771
Europa Lever / lever - 28mm backset

| | |
|----|--------|
| A2 | 749mm |
| B2 | 861mm |
| HH | 1050mm |

DEFER32486
Europa Lever / lever - 35mm backset

| | |
|---|--------|
| A | 568mm |
| C | 345mm |
| L | 2285mm |

DEFER32487
Europa Lever / lever - 28mm backset

| | |
|----|------------|
| B | 660mm |
| HH | 800-1050mm |

| | | |
|----------------|-------|------|
| CI/SfB | 31/59 | Xt 7 |
| September 2007 | | |

The D&E Ferco french door programme offers many options on both Master & slave leaf. In addition the specific French door locks listed below, any GU Ferco Europa multi-point lock can be used to operate the main leaf.

All multi-point locks have a 92mm centre and are available in lever / lever operation only.

Central & remote deadbolts project 20mm. Additional security features include adjustable compressions roller cams & adjustable anti-jemmy steel mushroom cams.

Master leaf multi-point locks

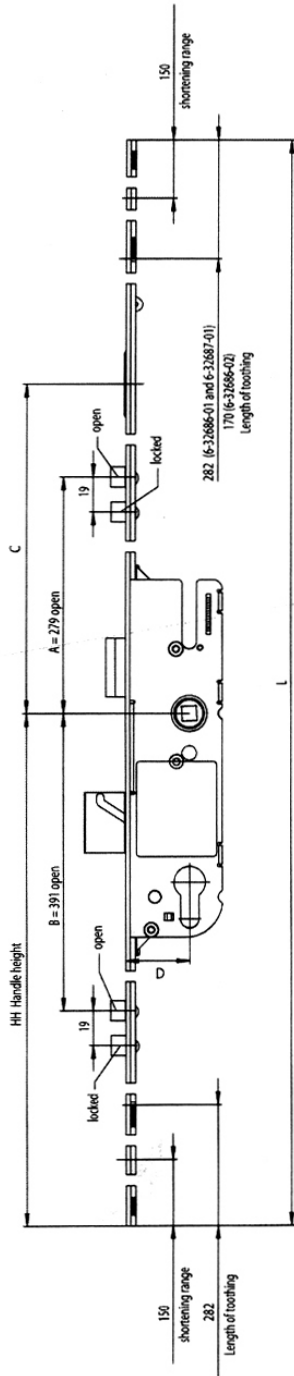
| | | |
|------------|---|----------------|
| DEFER32687 | 28mm backset, 2 roller, rev. latch & deadbolt - <i>extendable</i> | silver triklad |
| DEFER32689 | 30mm backset, 2 roller, fixed bottom shootbolt, rev. latch & deadbolt - <i>extendable</i> | silver triklad |
| DEFER32686 | 35mm backset, 2 roller, rev. latch & deadbolt - <i>extendable</i> | silver triklad |
| DEFER32688 | 35mm backset, 2 roller, fixed bottom shootbolt, rev. latch & deadbolt - <i>extendable</i> | silver triklad |

Slave leaf doorbolts

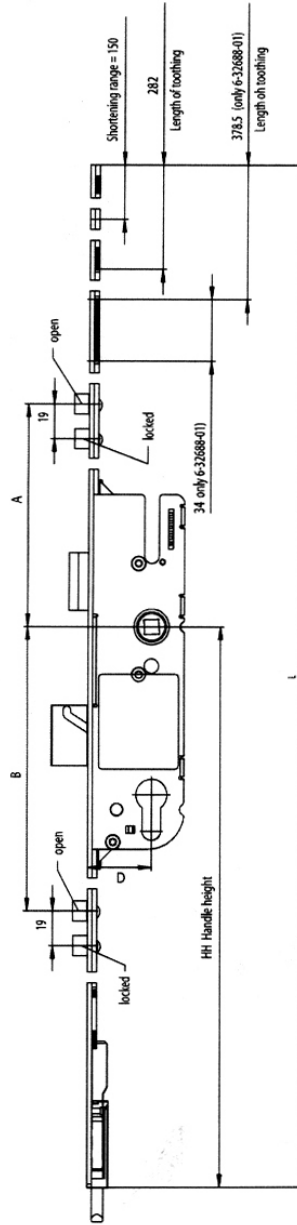
| | | |
|------------|---|----------------|
| DEFER32571 | 28mm backset, no locking points - extendable only | silver triklad |
| DEFER32570 | 35mm backset, no locking points - extendable only | silver triklad |

Extensions

| | | |
|-------------|----------------------|----------------|
| DEFER67600S | top action shootbolt | silver triklad |
| DEFER16798S | bottom shootbolt | silver triklad |



Face plate - 16mm
Centres - 92mm
8mm spindle



DEFER32686
Europa Lever / lever - 35mm backset

| | |
|---|--------|
| A | 279mm |
| C | 415mm |
| L | 1900mm |

DEFER32687
Europa Lever / lever - 28mm backset

| | |
|----|-------|
| B | 391mm |
| HH | 890mm |

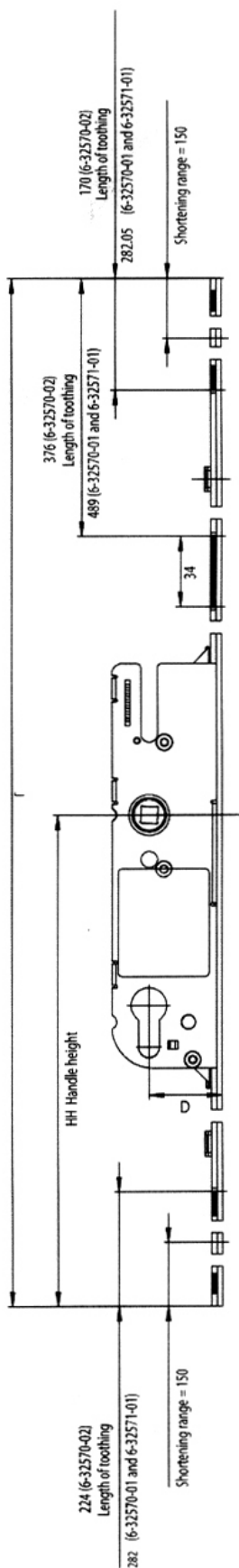
DEFER32486
Europa Lever / lever - 35mm backset

| | |
|---|--------|
| A | 279mm |
| L | 1900mm |

DEFER32487
Europa Lever / lever - 28mm backset

| | |
|----|--------|
| B | 391mm |
| HH | 1050mm |

| | | |
|----------------|------|--|
| CI/SfB | | |
| 31/59 | Xt 7 | |
| September 2007 | | |



DEFER32570
Europa Lever / lever -
35mm backset

HH 800-1050mm

DEFER32571
Europa Lever / lever -
28mm backset

L 1830mm

Face plate - 16mm
 Centres - 92mm
 8mm spindle

| | | |
|----------------|-------|------|
| CI/SfB | 31/59 | Xt 7 |
| September 2007 | | |

The comprehensive range of keeps to complement the GU Ferco door bolts for residential and french doors.

For aluminium & timber applications please contact the sales team.

Profile packers are available if required - please specify profile when ordering

DEGUL33905 box strike insert for deadbolt keep
DEGUL33906 box strike insert for centre latch keep

GU Ferco standard keeps

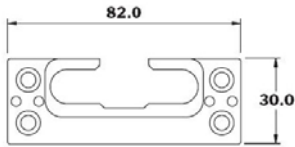
| | | |
|--------------|-----------------------------------|----------------|
| DEGUL37986S | roller keep | silver triklad |
| DEGUL30014LS | centre latch / deadbolt keep - LH | silver triklad |
| DEGUL30014RS | centre latch / deadbolt keep - RH | silver triklad |
| DEGUL30012 | G4 deadbolt keep | silver triklad |
| DEGUL30013S | hook keep | silver triklad |

Shootbolt keeps

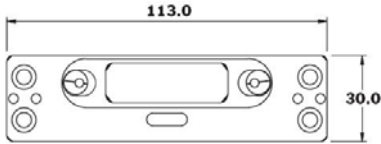
| | | |
|--------------|----------------------------|----------------|
| DEPAD90005SS | single adj. shootbolt keep | silver triklad |
| DEPAD90006SS | double adj. shootbolt keep | silver triklad |

Corrosion resistance: Silver triklad is an upgraded plating specification giving products 240 hours neutral salt spray meeting the requirements of BS7412 Grade 4. The finish is also Chromium hexavalent 6 free, meeting the latest European (*green*) specification. Components plated to BS1706. 1990

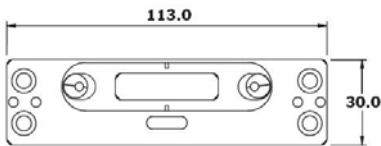
| | | |
|----------------|------|--|
| CI/SfB | | |
| 31/59 | Xt 7 | |
| September 2007 | | |



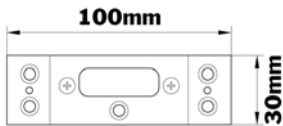
DEGUL37968S
Roller keep



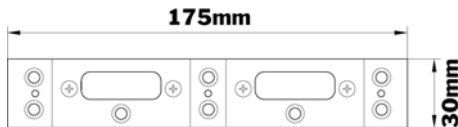
DEGUL30012S
G4 Europa deadbolt keep



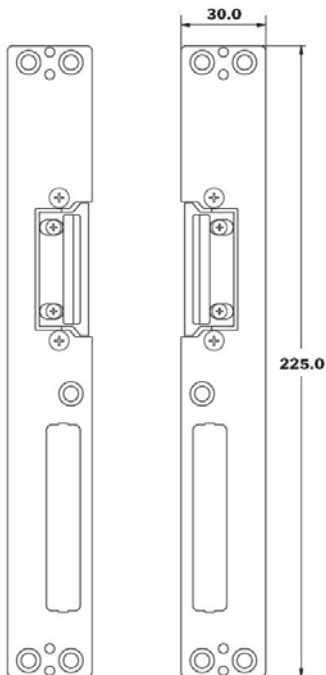
DEGUL30013S
G4 Europa hook keep



DEPAD90005SS
Single adjustable shootbolt keep - supplied in pairs
Requires 2 profile packers



DEPAD90006SS
Double adjustable shootbolt keep
Requires 2 profile packers



DEGUL30014LS
Centre latch & deadbolt keep -

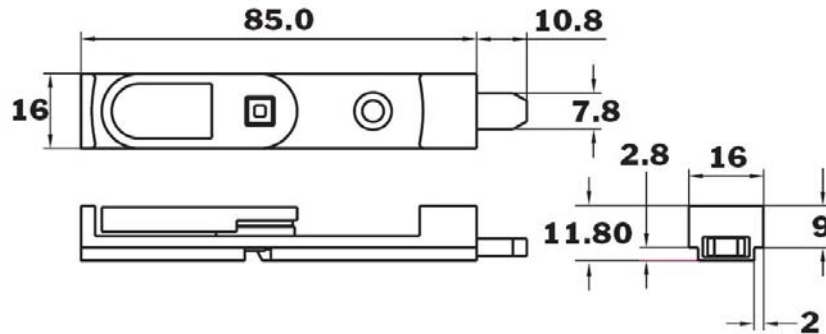
DEPAD90054S
Double adjustable shootbolt keep with box strike
Requires 2 profile packers

| | | |
|----------------|------|--|
| CI/SfB | | |
| 31/59 | Xt 7 | |
| September 2007 | | |

D&E GU Ferco finger operated shootbolts are for use on french doors.

PVCu doors

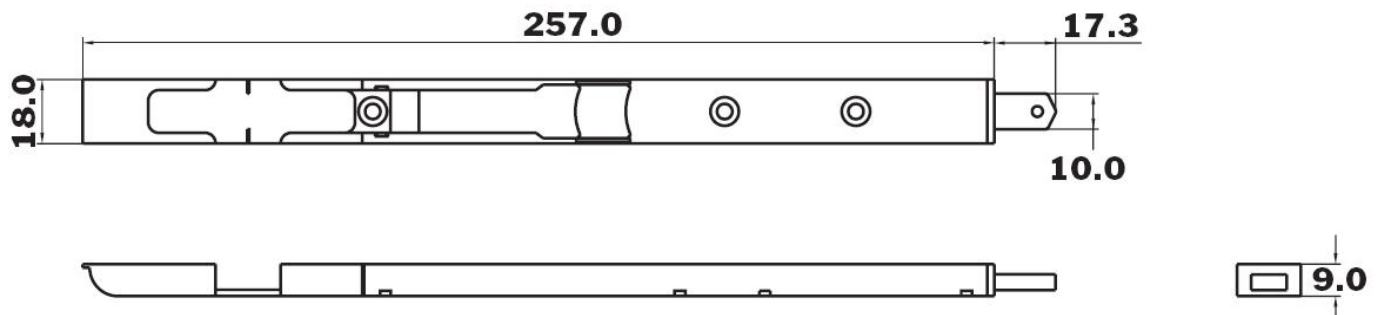
DESBT044101 finger operated shootbolt - euro-groove fitting silver triklad



Timber / composite doors

DESBT28957 Maco finger operated shootbolt silver triklad

NOTE: Other finger operated shootbolts are available to special order. Please contact the sales team with your requirements.



D&E Fullex Crimebeater multi-point locks timber / composite doors

| | | |
|---------------|------|--|
| CI/SfB | | |
| 31/59 | Xt 7 | |
| December 2010 | | |

The Fullex *Crimebeater* is UKAS tested to PAS 23/24 and is 'Secured by Design'. Engineered to provide long term reliability and security it offers the following:

- PAS 23/24 and Secured by Design certifications
- 2 tapered steel hooks, deadbolt and latch or 3 deadbolts and latch
- Dual or single spindle option.
- Easily reversible latch as standard
- Integral latch hold back function on the forend
- Various adjustable security keep sets available

Forend: 1720mm long x 20mm wide - radiused

Models: 2 deadbolt, rev. latch & deadbolt
2 deadbolt, rev. latch & deadbolt with NHBC approved integral deadlocking system
2 hook, rev. latch & deadbolt
2 hook, deadlock, rev. latch & deadbolt with NHBC approved integral deadlocking system

Operation

The *Crimebeater* is a lever operated multi-point lock. The latch bolt is operated by the lever handles, all other bolts are thrown when the lever handle is lifted. Locking of the lock is via a euro-profile cylinder. The NHBC deadlocking system is operated by a 5 lever key, supplied with the lock.

| | | |
|-------------|---|-----|
| DEFXCRB0001 | 35mm backset, 2 deadbolt, rev. latch & deadbolt - 20x1720mm | sss |
| DEFXCRB0002 | 45mm backset, 2 deadbolt, rev. latch & deadbolt - 20x1720mm | sss |
| DEFXCRB0003 | 55mm backset, 2 deadbolt, rev. latch & deadbolt - 20x1720mm | sss |
| DEFXCRB0004 | 35mm backset, 2 hook, rev. latch & deadbolt - 20x1720mm | sss |
| DEFXCRB0005 | 45mm backset, 2 hook, rev. latch & deadbolt - 20x1720mm | sss |
| DEFXCRB0006 | 55mm backset, 2 hook, rev. latch & deadbolt - 20x1720mm | sss |

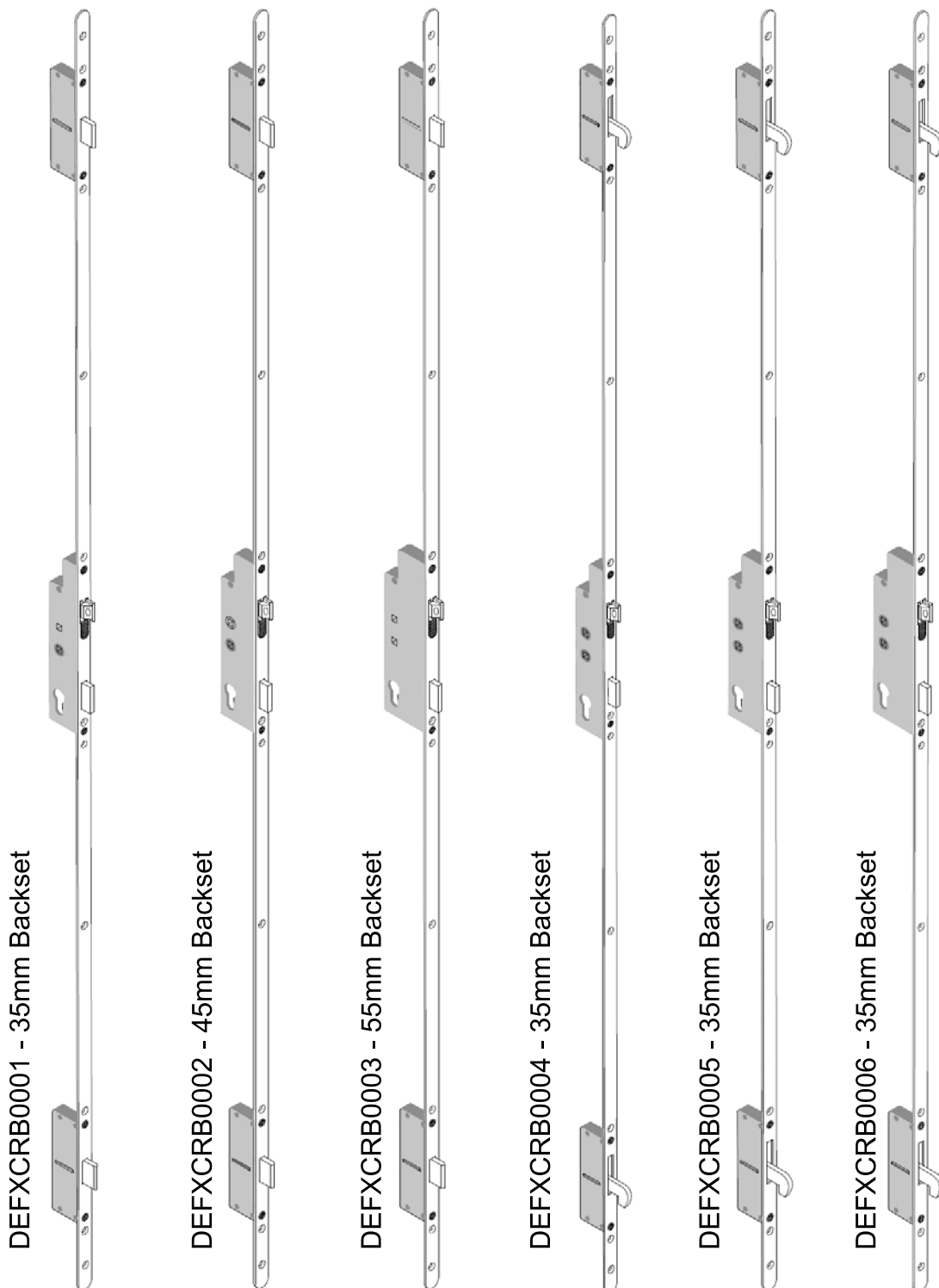
Keeps

| | | |
|----------------|---|----|
| DEFXKEEPSET004 | centre latch & deadbolt keep, top & btm keeps - set | zp |
|----------------|---|----|

*D&E Fullex Crimebeater multi-point locks
timber / composite doors*

| | | |
|---------------|-------|------|
| CI/SfB | 31/59 | Xt 7 |
| December 2010 | | |

1720 x 20mm radius forend model



Sales: 01733 896123



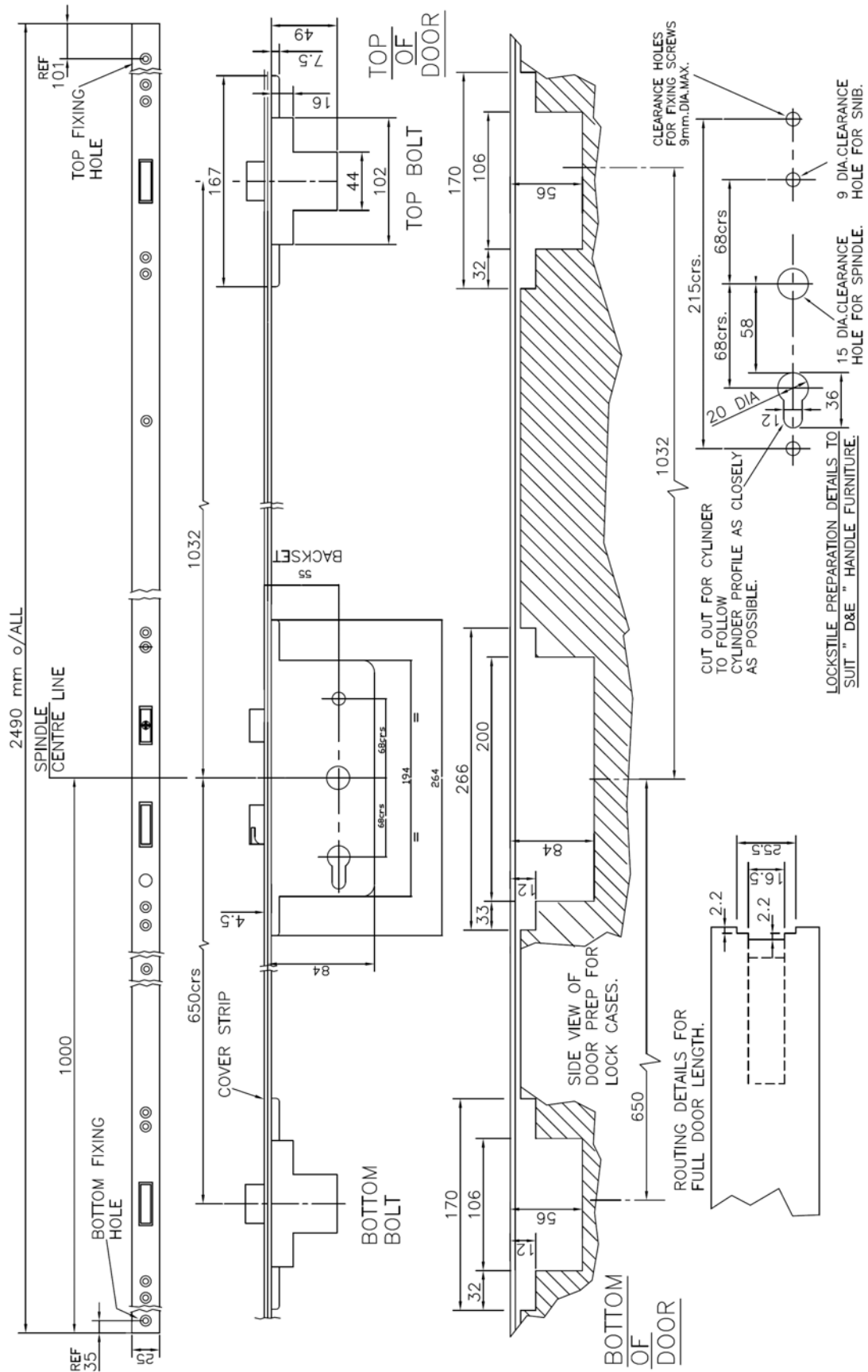
L-1033B

Fax: 01733 894466

E&OE

D&E Fullex SPECIAL - multi-point lock - timber / composite doors

| | |
|--------------|------|
| CI/SfB | |
| 31/59 | Xt 7 |
| January 2011 | |



Sales: 01733 896123



L-1033D

Fax: 01733 894466

E&OE

| | | |
|----------------|-------|------|
| CI/SfB | 31/59 | Xt 7 |
| September 2007 | | |

Designed to meet and exceed the latest CEN European security and performance standards.

The burglary resistant multi-point locks from Nemef have been developed to meet the highest demands which are made on locks & builders hardware. The unique construction combines optimal security with durability and quality.

Suitable for a wide range of doors, the 4923 & 4926 offer installers an easily installed locks and end user easy operation.

Burglary resistant door specifications:

Door height: up to 2400mm
Door thickness: 38 - 40mm

Door height: up to 2700mm
Door thickness: 54mm

Operation

DE4923/02

The DE4923/02 is a gear operated multi-point lock. The latch bolt is operated by the lever handles, all other bolts are wound out when the cylinder key is turned. Locking of the lock is via a euro-profile cylinder

DE4926/02

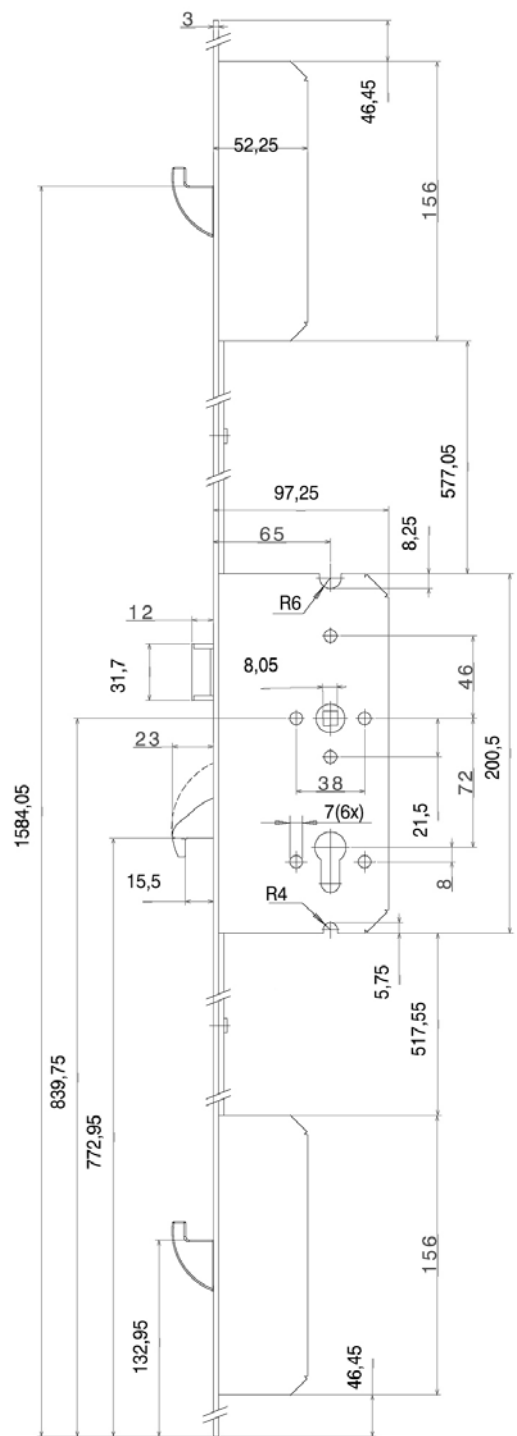
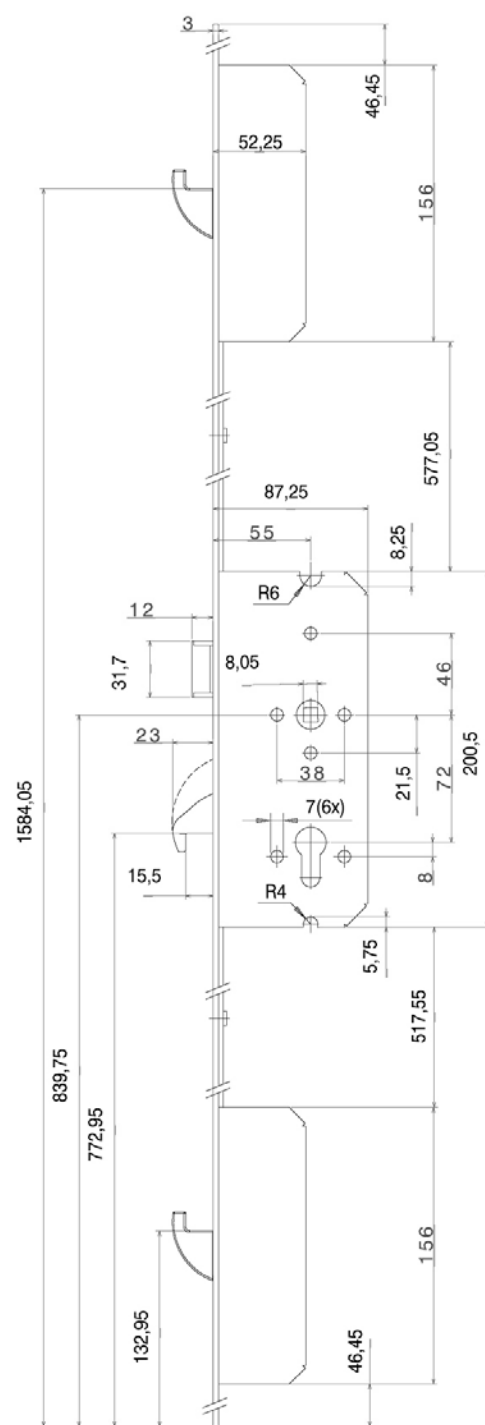
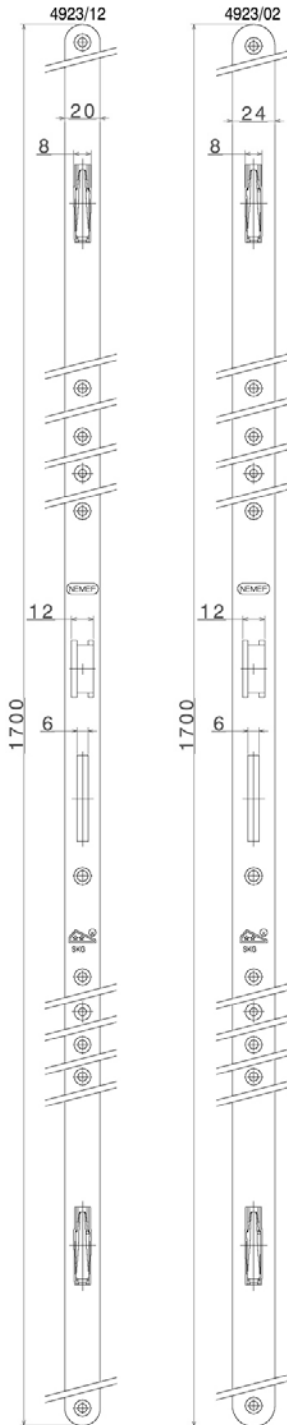
The DE4926/02 is a lever operated multi-point lock. The latch bolt is operated by the lever handles, all other bolts are thrown when the lever handle is lifted. Locking of the lock is via a euro-profile cylinder

| | | |
|--------------|--|--------|
| DE4923/02/55 | 55mm backset, 3 hook & rev. latch gear operated lock | silver |
| DE4923/02/65 | 65mm backset, 3 hook & rev. latch gear operated lock | silver |
| DE4926/02/55 | 55mm backset, 3 hook & rev. latch mechanically operated lock | silver |
| DE4926/02/65 | 65mm backset, 3 hook & rev. latch mechanically operated lock | silver |

| | | |
|----------------|------|--|
| CI/SfB | | |
| 31/59 | Xt 7 | |
| September 2007 | | |

DE4923/02/55

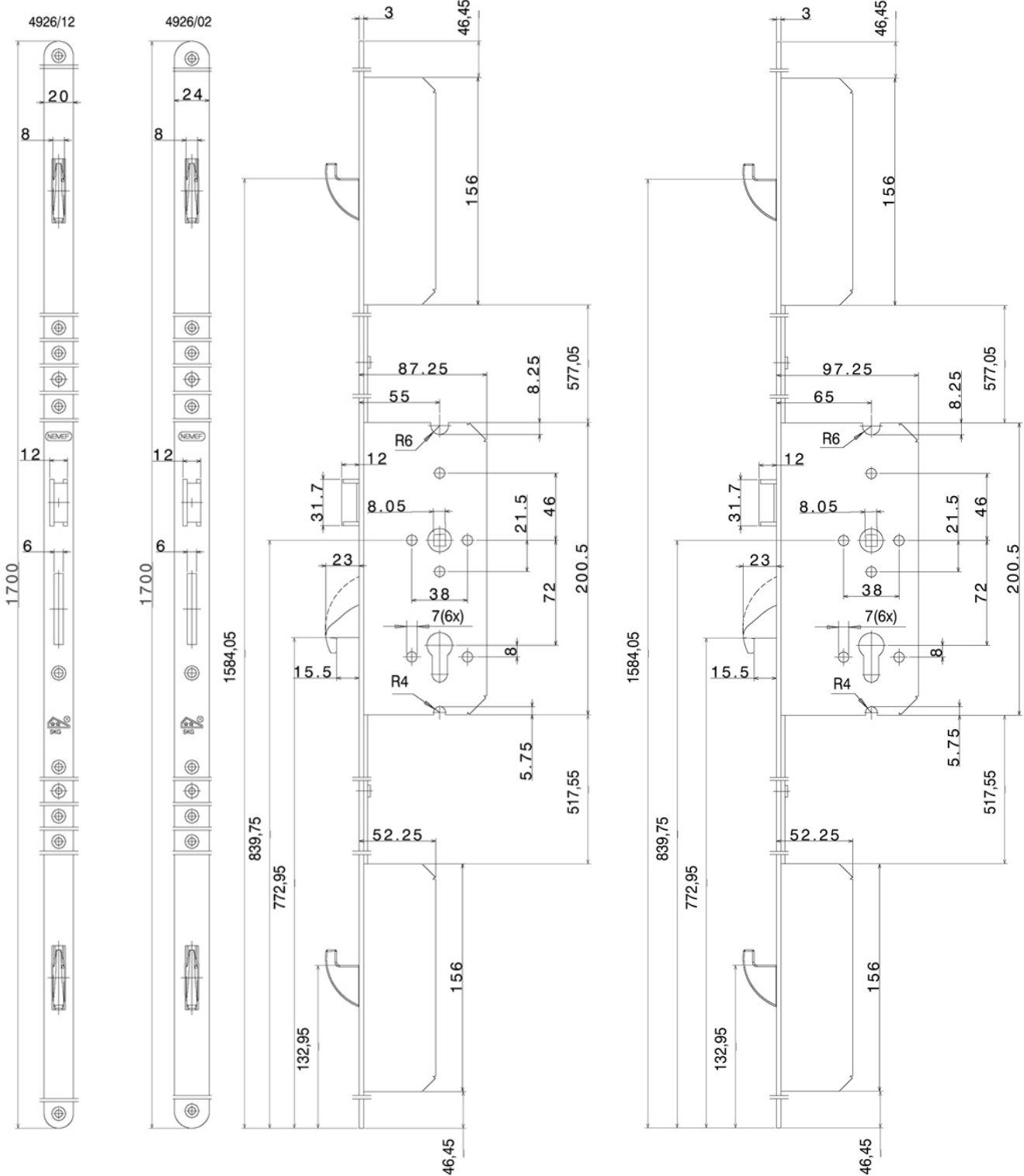
DE4923/02/65



| | | |
|----------------|------|--|
| CI/SfB | | |
| 31/59 | Xt 7 | |
| September 2007 | | |

DE4926/02/55

DE4926/02/65



| | | |
|----------------|------|--|
| CI/SfB | | |
| 31/59 | Xt 7 | |
| September 2007 | | |



D&E hook spindle - DESP5001/65

For use on applications where a lever is installed on one side of the door only. The hook is secured by tightening the grub screw located down the centre of the spindle.

DESP5001/65 hook spindle - 65mm

Door thickness: 50 - 55mm
Diameter: 8mm

Supplied complete with allen key.

Suitable for use with any D&E lockcase with an 8mm through follower.



D&E half spindle - PVCu handles

For use with PVCu handles with a bolt through fixing - lever / offset lever or pad.

DESP5011/55 half spindle - 55mm

DESP5011/65 half spindle - 65mm

DESP5011/75 half spindle - 75mm

Diameter: 8mm

Supplied complete with allen key.

Suitable for use with any D&E lockcase with an 8mm through follower.

| | | |
|----------------|-------|------|
| CI/SfB | 31/59 | Xt 7 |
| September 2007 | | |

D&E split spindle - DESP5002/100

For use on applications where anti-panic locks with a 8mm split follower are installed.



DESP5002/100 split spindle - 100mm

Length: 100mm
Door thickness: 54mm
Diameter: 8mm

D&E split spindle - DESP5003/100

For use on applications where anti-panic locks with a 9mm split follower are installed.



DESP5003/100 split spindle - 50 / 50mm

Length: 100mm
Door thickness: 54mm
Diameter: 9mm

D&E split spindle - PVCu handles

For use with PVCu handles with a bolt through fixing - lever / lever or pad.

Primarily for use on nightlatch multi-point locks.



DESP5004/120 split spindle - 55 / 65mm

Length: 120mm
Diameter: 8mm

D&E Pitts mortice spindle

For use on applications where a set of levers or knob furniture is used which rely on the rose or backplate fixings to secure them to the door.

This spindle is highly recommended for use on handles for PVCu and Aluminium applications.



DESP5005/150 5mm pitts mortice spindle - 150mm

DESP5007/150 7mm pitts mortice spindle - 150mm

DESP5008/150 8mm pitts mortice spindle - 150mm

All above D&E Pitts mortice spindles will suit a door thickness of 90mm

D&E spindle sleeve range.



DERBSL58 spindle sleeve 5mm up to 8mm
DERBSL67 spindle sleeve 6mm up to 7mm
DERBSL68 spindle sleeve 6mm up to 8mm
DERBSL78 spindle sleeve 7mm up to 8mm
DERBSL89 spindle sleeve 8mm up to 9mm

Dimensions: 15mm standard length

Packaging: each

DERBSL67/1 spindle sleeve 6mm up to 7mm
DERBSL68/1 spindle sleeve 6mm up to 8mm
DERBSL78/1 spindle sleeve 7mm up to 8mm

Dimensions: 1 metre length

Packaging: each

| | | |
|----------------|-------|------|
| CI/SfB | 31/59 | Xt 7 |
| September 2007 | | |



STATEMENT OF COMPLIANCE

This product complies with all Italian laws and conforms to the STANDARDS FOR PANIC EXIT DEVICES EN 1125:97 UNI EN 1125, DIN EN 1125, NF EN 1125, BS EN 1125, UNE EN 1125

Main features

Innovative design

The balance of size, style and weight, result in touch bar panic hardware suitable for any interior.

Easy to install

Special design features make the "SBLOCK" quick and easy to install on timber, steel or aluminium doors.

Reliability

"SBLOCK" is manufactured with high quality materials and includes simple mechanism to guarantee long lasting reliability.

Modular ability

"SBLOCK" can be used on its own or with upper/lower additional locking and external access devices, for 1 or 2 leaf doors, standard doors and double swing doors.

The same upper/lower additional locking and external access devices can also be combined with the "New Europa" series of panic exit devices.

Operation

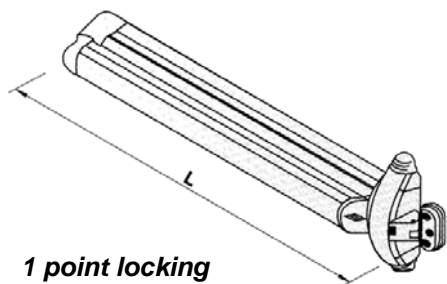
From inside: by pushing the bar
From outside: with key and/or handle

Technical features

Body and bar made from aluminium alloy.
Ability to shorten the bar to 300mm on all models.
Latchbolts and deadbolts chrome plated aluminium alloy.
Non handed.
Self locking side and upper/lower latchbolts
Dogging facility available
Micro-switch facility available

Supplied

All panic hardware and its components are supplied complete with strikers and fixing screws.



1 point locking

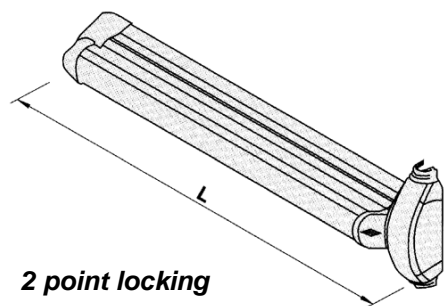
Pullman latch complete with striker.

DE59800/10/1PT touch bar - L=1200mm
 DE59800/10/97/1PT touch bar - L=1200mm

black / red bar
 silver / silver bar

DE59800/11/0/1PT touch bar - L=840mm
 DE59800/11/97/1PT touch bar - L=840mm

black / red bar
 silver / silver bar



2 point locking

Designed for use with upper/lower additional locking mechanisms.

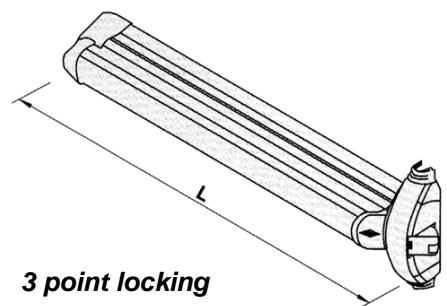
DE59815/10/2PT touch bar - L=1200mm
 DE59815/10/97/2PT touch bar - L=1200mm

black / red bar
 silver / silver bar

DE59815/11/2PT touch bar - L=840mm
 DE59815/11/97/2PT touch bar - L=840mm

black / red bar
 silver / silver bar

For additional locking mechanisms see below.



3 point locking

Pullman latch complete with striker. Designed for use with upper/lower additional locking mechanisms.

DE59810/10/3PT touch bar - L=1200mm
 DE59810/10/97/3PT touch bar - L=1200mm

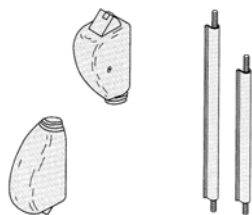
black / red bar
 silver / silver bar

DE59810/11/3PT touch bar - L=840mm
 DE59810/11/97/3PT touch bar - L=840mm

black / red bar
 silver / silver bar

For additional locking mechanisms see below.

Additional lock mechanisms



DE07063/60/0
 DE07081/15/0

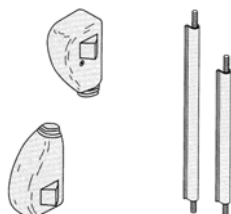
top & bottom pullman latches
 rods for use with additional lock mechs.

black
 black

DE07063/60/97
 DE07081/15/97

top & bottom pullman latches
 rods for use with additional lock mechs.

silver
 silver



DE07063/50/0
 DE07081/15/0

upper & lower side pullman latches
 rods for use with additional lock mechs.

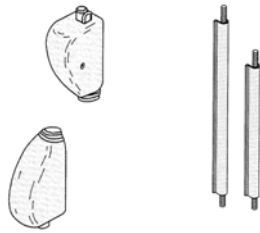
black
 black

DE07063/50/97
 DE07081/15/97

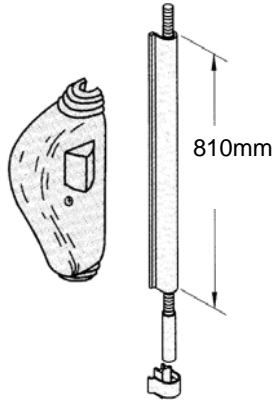
upper & lower side pullman latches
 rods for use with additional lock mechs.

silver
 silver

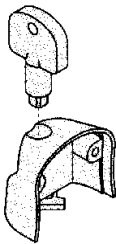
Additional lock mechanisms - cont'd



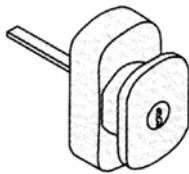
| | | |
|---------------|--|--------|
| DE07063/70/0 | top & bottom dead bolts | black |
| DE07081/15/0 | rods for use with additional lock mechs. | black |
| DE07063/70/97 | top & bottom dead bolts | silver |
| DE07081/15/97 | rods for use with additional lock mechs. | silver |



| | | |
|-----------------|--|-------|
| DE07063/25/1/RH | additional side latchbolt complete with striker - RH | black |
| DE07063/25/2/LH | additional side latchbolt complete with striker - LH | black |
| DE07064/50/0 | extension rod for additional locking points on doors 2500mm to 3300mm high | black |

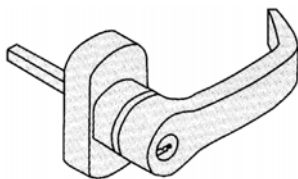


| | | |
|--------------|----------------------------|-------|
| DE07065/50/0 | hold open / dogging device | black |
|--------------|----------------------------|-------|



| | | |
|--------------|---|-------|
| DE07077/29/0 | fixed knob - key operation only - supplied complete with 3 keys | black |
|--------------|---|-------|

Only suitable with single point panic hardware

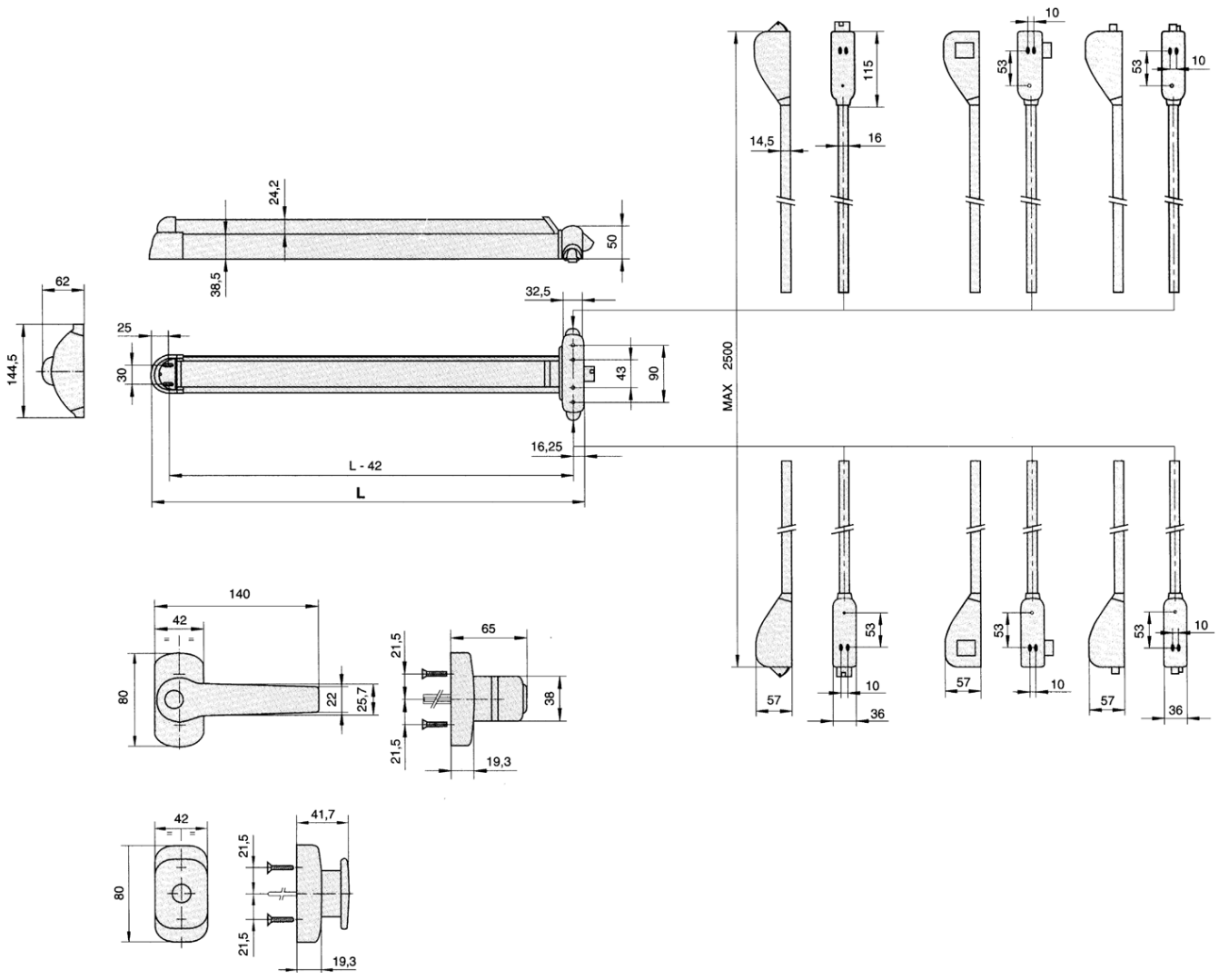


| | | |
|--------------|---|-------|
| DE07077/28/0 | lockable lever handle - supplied complete with 3 keys | black |
|--------------|---|-------|

Suitable with all models of Cisa panic hardware

D&E cisa "SBLOCK" - touch bar

| | | |
|----------------|------|--|
| CI/SfB | | |
| 31/59 | Xt 7 | |
| September 2007 | | |



Sales: 01733 896123

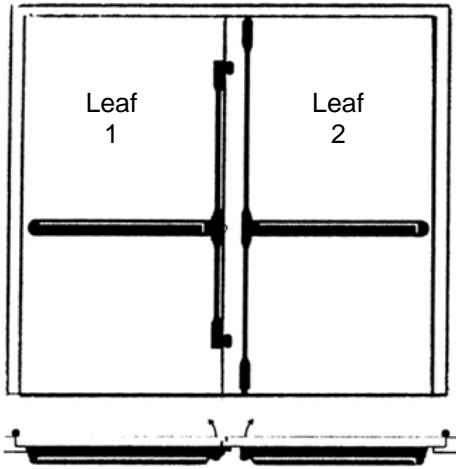


N-1004

Fax: 01733 894466

E&OE

Diagram SB1



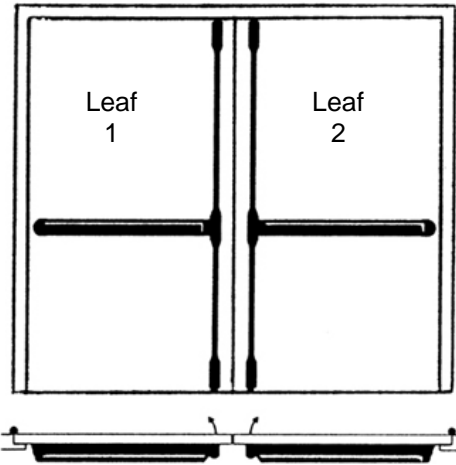
Leaf 1
2 point locking
 DE59815 / (10 or 11) / 0 / SSL
 Consisting of
 DE59815 / (10 or 11) / 2PT
 and
 DE07063 / 50

3 point locking
 DE59810 / (10 or 11) / 0 / SSL
 Consisting of
 DE59810 / (10 or 11) / 3PT
 and
 DE07063 / 50

Leaf 2
2 point locking
 DE59815 / (10 or 11) / 0 / TBL
 Consisting of
 DE59815 / (10 or 11) / 2PT
 and
 DE07063 / 60

3 point locking
 DE59810 / (10 or 11) / 0 / TBL
 Consisting of
 DE59810 / (10 or 11) / 3PT
 and
 DE07063 / 60

Diagram SB2



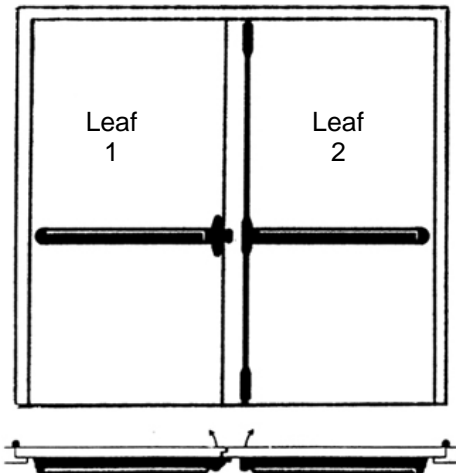
Leaf 1
2 point locking
 DE59815 / (10 or 11) / 0 / TBL
 Consisting of
 DE59815 / (10 or 11) / 2PT
 and
 DE07063 / 60

3 point locking
 DE59810 / (10 or 11) / 0 / TBL
 Consisting of
 DE59810 / (10 or 11) / 3PT
 and
 DE07063 / 60

Leaf 2
2 point locking
 DE59815 / (10 or 11) / 0 / TBL
 Consisting of
 DE59815 / (10 or 11) / 2PT
 and
 DE07063 / 60

3 point locking
 DE59810 / (10 or 11) / 0 / TBL
 Consisting of
 DE59810 / (10 or 11) / 3PT
 and
 DE07063 / 60

Diagram SB3



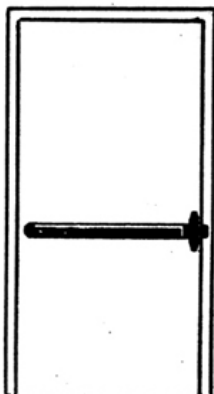
Leaf 1
1 point locking
 DE59800 / (10 or 11) / 0
 Consisting of
 DE59800 / (10 or 11) / 1PT

Leaf 2
2 point locking
 DE59815 / (10 or 11) / 0 / TBL
 Consisting of
 DE59815 / (10 or 11) / 2PT
 and
 DE07063 / 60

3 point locking
 DE59810 / (10 or 11) / 0 / TBL
 Consisting of
 DE59810 / (10 or 11) / 3PT
 and
 DE07063 / 60

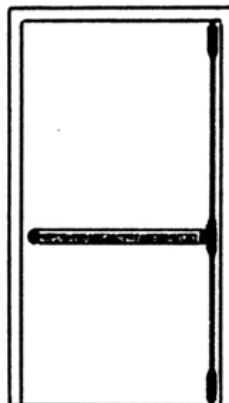
| | | |
|----------------|------|--|
| CI/SfB | | |
| 31/59 | Xt 7 | |
| September 2007 | | |

Diagram SB4



1 point locking
 DE59800 / (10 or 11) / 0
 Consisting of
 DE59800 / (10 or 11) / 1PT

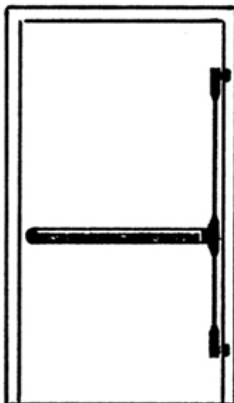
Diagram SB7



2 point locking
 DE59815 / (10 or 11) / 0 / DB
 Consisting of
 DE59815 / (10 or 11) / 2PT
 and
 DE07063 / 70

3 point locking
 DE59810 / (10 or 11) / 0 / DB
 Consisting of
 DE59815 / (10 or 11) / 2PT
 and
 DE07063 / 70

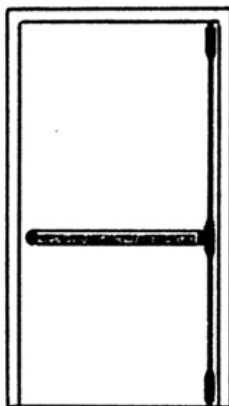
Diagram SB5



2 point locking
 DE59815 / (10 or 11) / 0 / SSL
 Consisting of
 DE59815 / (10 or 11) / 2PT
 and
 DE07063 / 50

3 point locking
 DE59810 / (10 or 11) / 0 / SSL
 Consisting of
 DE59815 / (10 or 11) / 2PT
 and
 DE07063 / 50

Diagram SB6



2 point locking
 DE59815 / (10 or 11) / 0 / TBL
 Consisting of
 DE59815 / (10 or 11) / 2PT
 and
 DE07063 / 60

3 point locking
 DE59810 / (10 or 11) / 0 / TBL
 Consisting of
 DE59815 / (10 or 11) / 2PT
 and
 DE07063 / 60

| | | |
|----------------|-------|------|
| CI/SfB | 31/59 | Xt 7 |
| September 2007 | | |



STATEMENT OF COMPLIANCE

This product complies with all Italian laws and conforms to the STANDARDS FOR PANIC EXIT DEVICES EN 1125:97
UNI EN 1125, DIN EN 1125, NF EN 1125, BS EN 1125, UNE EN 1125

Main features

Innovative design

The balance of size, style and weight, result in touch bar panic hardware suitable for any interior.

Easy to install

Special design features make the "New Europa" quick and easy to install on timber, steel or aluminium doors.

Reliability

"New Europa" is manufactured with high quality materials and includes simple mechanism to guarantee long lasting reliability.

Modular ability

"New Europa" can be used on its own or with upper/lower additional locking and external access devices, for 1 or 2 leaf doors, standard doors and double swing doors.

The same upper/lower additional locking and external access devices can also be combined with the "SBLOCK" series of panic exit devices.

Operation

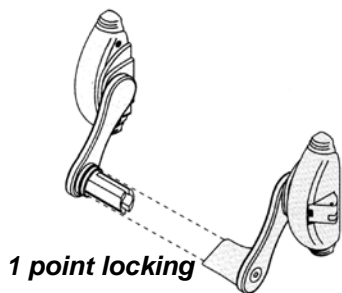
From inside: by pushing the bar
From outside: with key and/or handle

Technical features

Ability to shorten the bar to suit the door.
Latchbolts and deadbolts chrome plated aluminium alloy.
Non handed.
Self locking side and upper/lower latchbolts
Dogging facility available
Micro-switch facility available

Supplied

All panic hardware and its components are supplied complete with strikers and fixing screws.



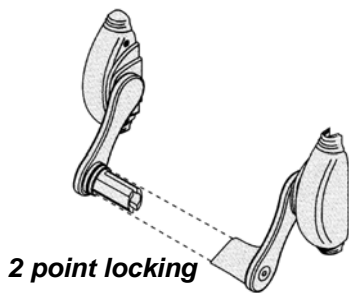
1 point locking

Pullman latch complete with striker.

DE59000/10/1PT push bar - 900mm
 DE59000/10/97/1PT push bar - 900mm

black / red bar
 silver / silver bar

1200mm bar available to order



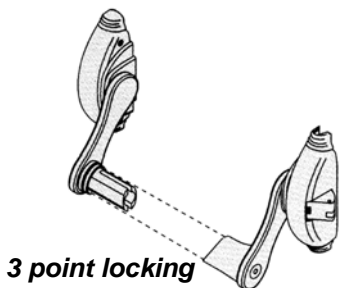
2 point locking

Designed for use with upper/lower additional locking mechanisms.

DE59015/10/2PT push bar - L=900mm
 DE59015/10/97/2PT push bar - L=900mm

black / red bar
 silver / silver bar

1200mm bar available to order
 For additional locking mechanisms see below.



3 point locking

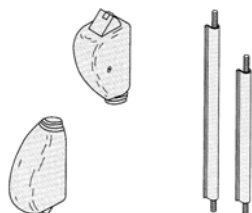
Pullman latch complete with striker. Designed for use with upper/lower additional locking mechanisms.

DE59010/10/3PT push bar - L=900mm
 DE59010/10/97/3PT push bar - L=900mm

black / red bar
 silver / silver bar

1200mm bar available to order
 For additional locking mechanisms see below.

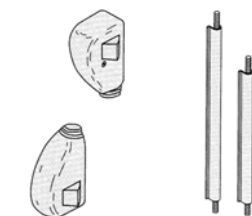
Additional lock mechanisms



DE07063/60/0
 DE07081/15/0

top & bottom pullman latches
 rods for use with additional lock mechs.

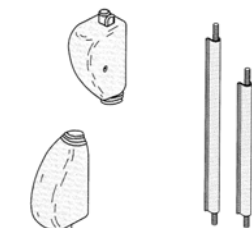
black
 black



DE07063/50/0
 DE07081/15/0

upper & lower side pullman latches
 rods for use with additional lock mechs.

black
 black



DE07063/70/0
 DE07081/15/0

top & bottom dead bolts
 rods for use with additional lock mechs.

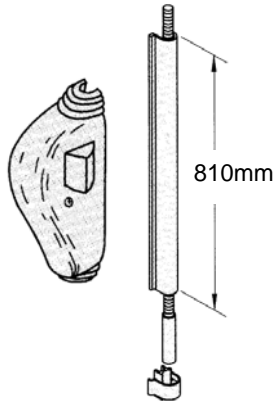
black
 black

DE07063/70/97
 DE07081/15/97

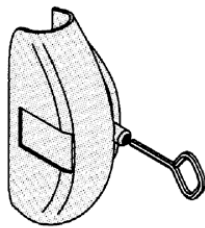
top & bottom dead bolts
 rods for use with additional lock mechs.

silver
 Silver

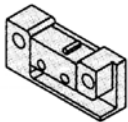
| | | |
|----------------|------|--|
| CI/SfB | | |
| 31/59 | Xt 7 | |
| September 2007 | | |



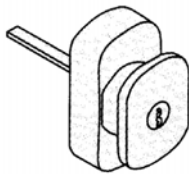
- DE07063/25/1/RH additional side latchbolt complete with striker - RH black
- DE07063/25/2/LH additional side latchbolt complete with striker - LH black
- DE07064/50/0 extension rod for additional locking points on doors 2500mm to 3300mm high black



- DE07065/51/0 hold open / dogging device black

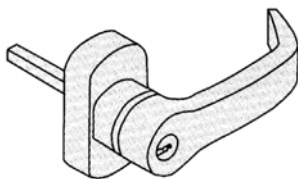


- DE06195/06/0 microswitch



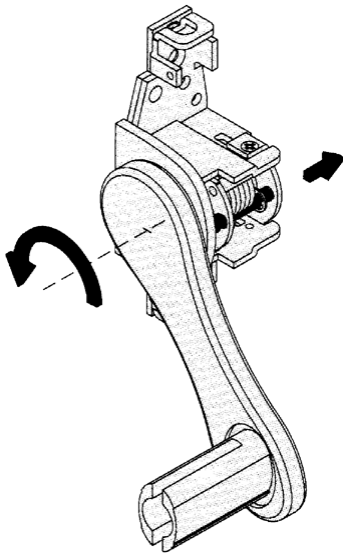
- DE07077/29/0 fixed knob - key operation only - supplied complete with 3 keys black

Only suitable with single point panic hardware



- DE07077/28/0 lockable lever handle - supplied complete with 3 keys black

Suitable with all models of Cisa panic hardware



How to change the handing.

The handing of the "New Europa" can be changed by pulling on the sprung stop pin and rotating the lever / cross bar upwards.

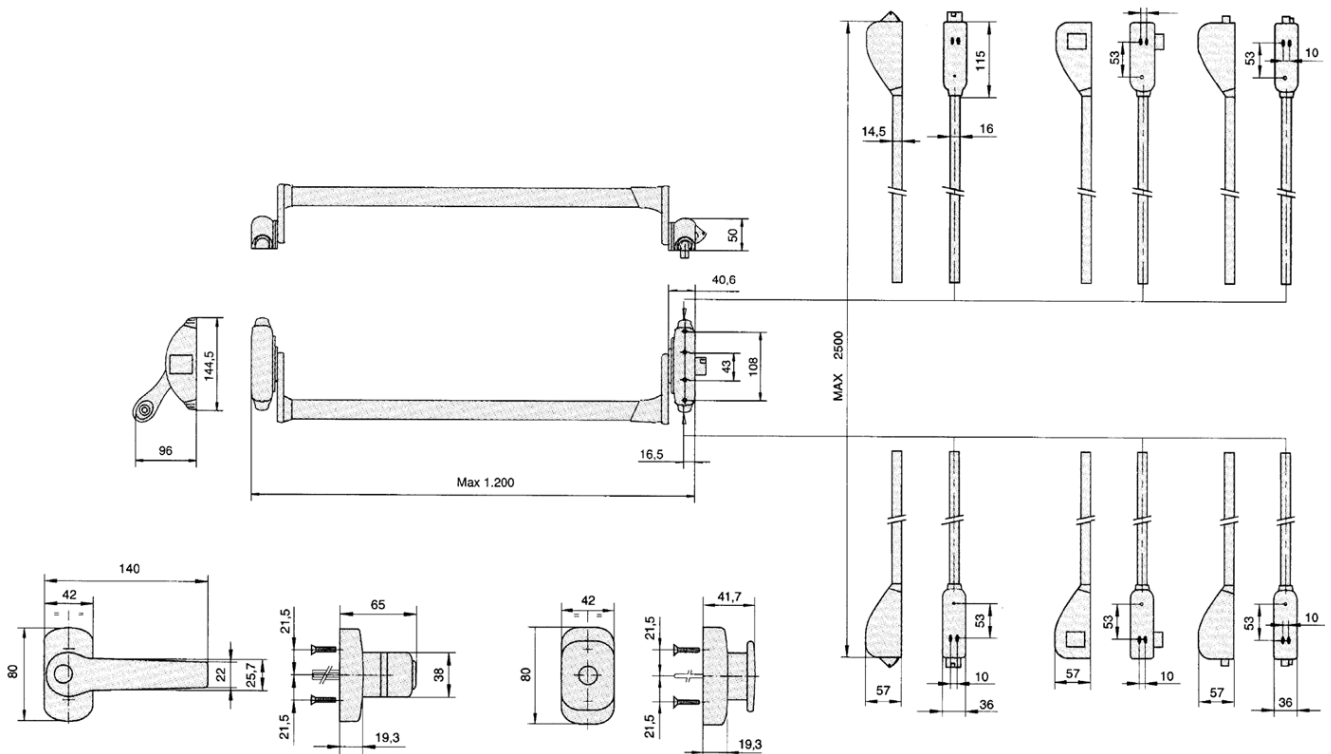
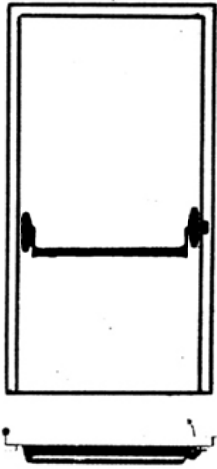
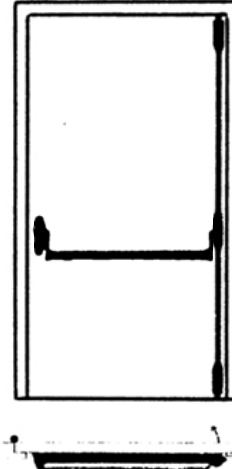


Diagram EUR1



1 point locking
 DE59000 / (10 or 11) / 0
 Consisting of
 DE59000 / (10 or 11) / 1PT

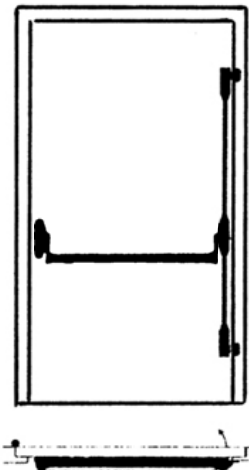
Diagram EUR4



2 point locking
 DE59015 / (10 or 11) / 0 / DB
 Consisting of
 DE59015 / (10 or 11) / 2PT
 and
 DE07063 / 70

3 point locking
 DE59010 / (10 or 11) / 0 / DB
 Consisting of
 DE59010 / (10 or 11) / 3PT
 and
 DE07063 / 70

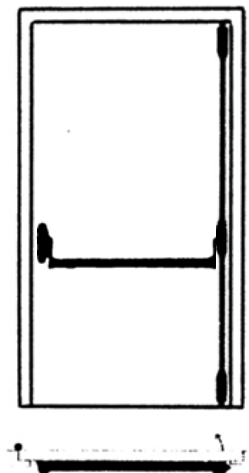
Diagram EUR2



2 point locking
 DE59015 / (10 or 11) / 0 / SSL
 Consisting of
 DE59015 / (10 or 11) / 2PT
 and
 DE07063 / 50

3 point locking
 DE59010 / (10 or 11) / 0 / SSL
 Consisting of
 DE59010 / (10 or 11) / 3PT
 and
 DE07063 / 50

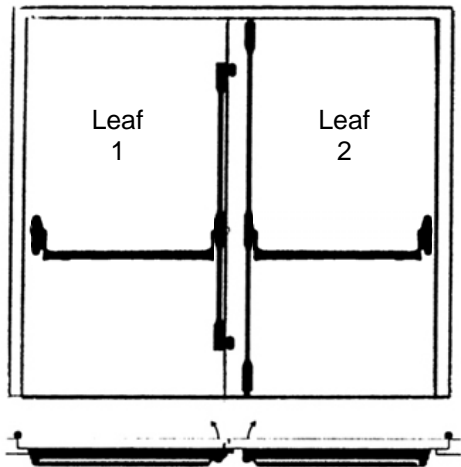
Diagram EUR3



2 point locking
 DE59015 / (10 or 11) / 0 / TBL
 Consisting of
 DE59015 / (10 or 11) / 2PT
 and
 DE07063 / 60

3 point locking
 DE59010 / (10 or 11) / 0 / TBL
 Consisting of
 DE59010 / (10 or 11) / 3PT
 and
 DE07063 / 60

Diagram EUR5



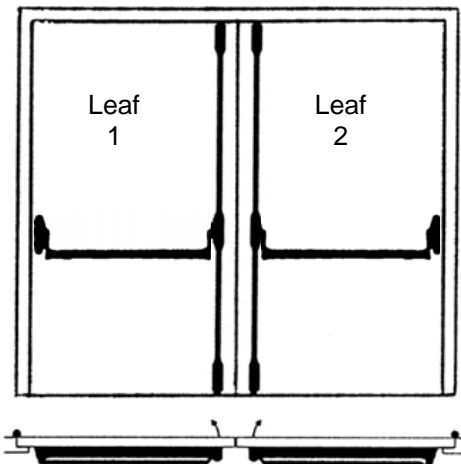
Leaf 1
2 point locking
 DE59015 / (10 or 11) / 0 / SSL
 Consisting of
 DE59015 / (10 or 11) / 2PT
 and
 DE07063 / 50

3 point locking
 DE59010 / (10 or 11) / 0 / SSL
 Consisting of
 DE59010 / (10 or 11) / 3PT
 and
 DE07063 / 50

Leaf 2
2 point locking
 DE59015 / (10 or 11) / 0 / TBL
 Consisting of
 DE59015 / (10 or 11) / 2PT
 and
 DE07063 / 60

3 point locking
 DE59010 / (10 or 11) / 0 / TBL
 Consisting of
 DE59010 / (10 or 11) / 3PT
 and
 DE07063 / 60

Diagram EUR6



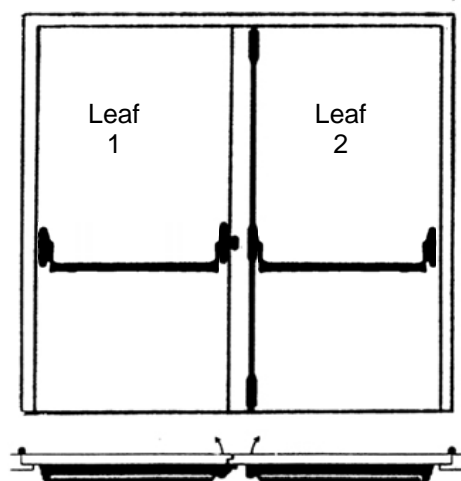
Leaf 1
2 point locking
 DE59015 / (10 or 11) / 0 / TBL
 Consisting of
 DE59015 / (10 or 11) / 2PT
 and
 DE07063 / 60

3 point locking
 DE59010 / (10 or 11) / 0 / TBL
 Consisting of
 DE59010 / (10 or 11) / 3PT
 and
 DE07063 / 60

Leaf 2
2 point locking
 DE59015 / (10 or 11) / 0 / TBL
 Consisting of
 DE59015 / (10 or 11) / 2PT
 and
 DE07063 / 60

3 point locking
 DE59010 / (10 or 11) / 0 / TBL
 Consisting of
 DE59010 / (10 or 11) / 3PT
 and
 DE07063 / 60

Diagram EUR7



Leaf 1
1 point locking
 DE59000 / (10 or 11) / 0
 Consisting of
 DE59000 / (10 or 11) / 1PT

Leaf 2
2 point locking
 DE59015 / (10 or 11) / 0 / TBL
 Consisting of
 DE59015 / (10 or 11) / 2PT
 and
 DE07063 / 60

3 point locking
 DE59010 / (10 or 11) / 0 / TBL
 Consisting of
 DE59010 / (10 or 11) / 3PT
 and
 DE07063 / 60

| | | |
|----------------|-------|------|
| CI/SfB | 31/59 | Xt 7 |
| September 2007 | | |



STATEMENT OF COMPLIANCE

This product complies with all Italian laws and conforms to the STANDARDS FOR PANIC EXIT DEVICES EN 179

Main features

Innovative design

The balance of size, style and weight, result in panic hardware suitable for any interior.

Easy to install

Special design features make the "panic pad" quick and easy to install on timber, steel or aluminium doors.

Reliability

"Panic Pad" is manufactured with high quality materials and includes simple mechanism to guarantee long lasting reliability.

Modular ability

"Panic Pad" can be used on its own or with upper/lower additional locking and external access devices. The same upper/lower additional locking and external access devices can also be combined with the "SBLOCK" and "New Europa" series of panic exit devices.

Operation

From inside: by pushing pad
From outside: with key and/or handle

Technical features

Latchbolts and deadbolts chrome plated aluminium alloy.
Non handed.
Self locking side and upper/lower latchbolts

Supplied

All panic hardware and its components are supplied complete with strikers and fixing screws.

1 point locking

Pullman latch complete with striker.

| | | |
|-------------------|-----------|--------|
| DE59050/10/1PT | panic pad | black |
| DE59050/10/97/1PT | panic pad | silver |

2 point locking

Designed for use with upper/lower additional locking mechanisms.

| | | |
|-------------------|-----------|--------|
| DE59065/10/2PT | panic pad | black |
| DE59065/10/97/2PT | panic pad | silver |

For additional locking mechanisms see below.

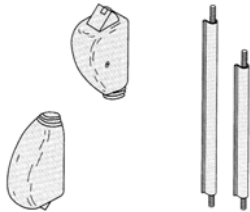
3 point locking

Pullman latch complete with striker. Designed for use with upper/lower additional locking mechanisms.

| | | |
|-------------------|-----------|--------|
| DE59060/10/3PT | panic pad | black |
| DE59060/10/97/3PT | panic pad | silver |

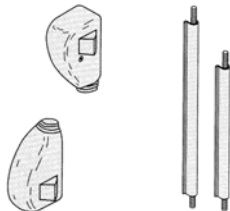
For additional locking mechanisms see below.

Additional lock mechanisms



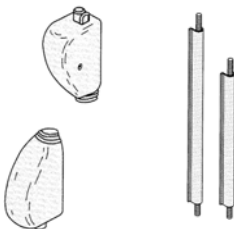
| | | |
|--------------|--|-------|
| DE07063/60/0 | top & bottom pullman latches | black |
| DE07081/15/0 | rods for use with additional lock mechs. | black |

| | | |
|---------------|--|--------|
| DE07063/60/97 | top & bottom pullman latches | silver |
| DE07081/15/97 | rods for use with additional lock mechs. | silver |



| | | |
|--------------|--|-------|
| DE07063/50/0 | upper & lower side pullman latches | black |
| DE07081/15/0 | rods for use with additional lock mechs. | black |

| | | |
|---------------|--|--------|
| DE07063/50/97 | upper & lower side pullman latches | silver |
| DE07081/15/97 | rods for use with additional lock mechs. | silver |

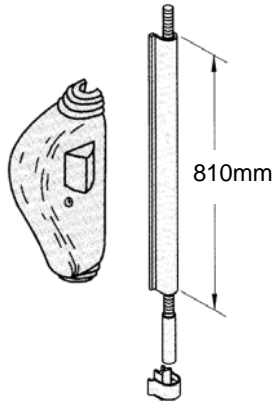


| | | |
|--------------|--|-------|
| DE07063/70/0 | top & bottom dead bolts | black |
| DE07081/15/0 | rods for use with additional lock mechs. | black |

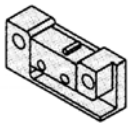
| | | |
|---------------|--|--------|
| DE07063/70/97 | top & bottom dead bolts | silver |
| DE07081/15/97 | rods for use with additional lock mechs. | Silver |

D&E cisa "panic pad" - panic hardware

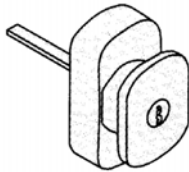
| | | |
|----------------|------|--|
| CI/SfB | | |
| 31/59 | Xt 7 | |
| September 2007 | | |



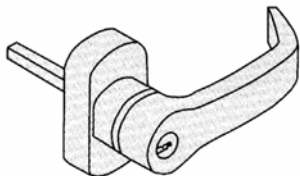
- DE07063/25/1/RH additional side latchbolt complete with striker - RH black
- DE07063/25/2/LH additional side latchbolt complete with striker - LH black
- DE07064/50/0 extension rod for additional locking points on doors 2500mm to 3300mm high black



- DE06195/06/0 microswitch



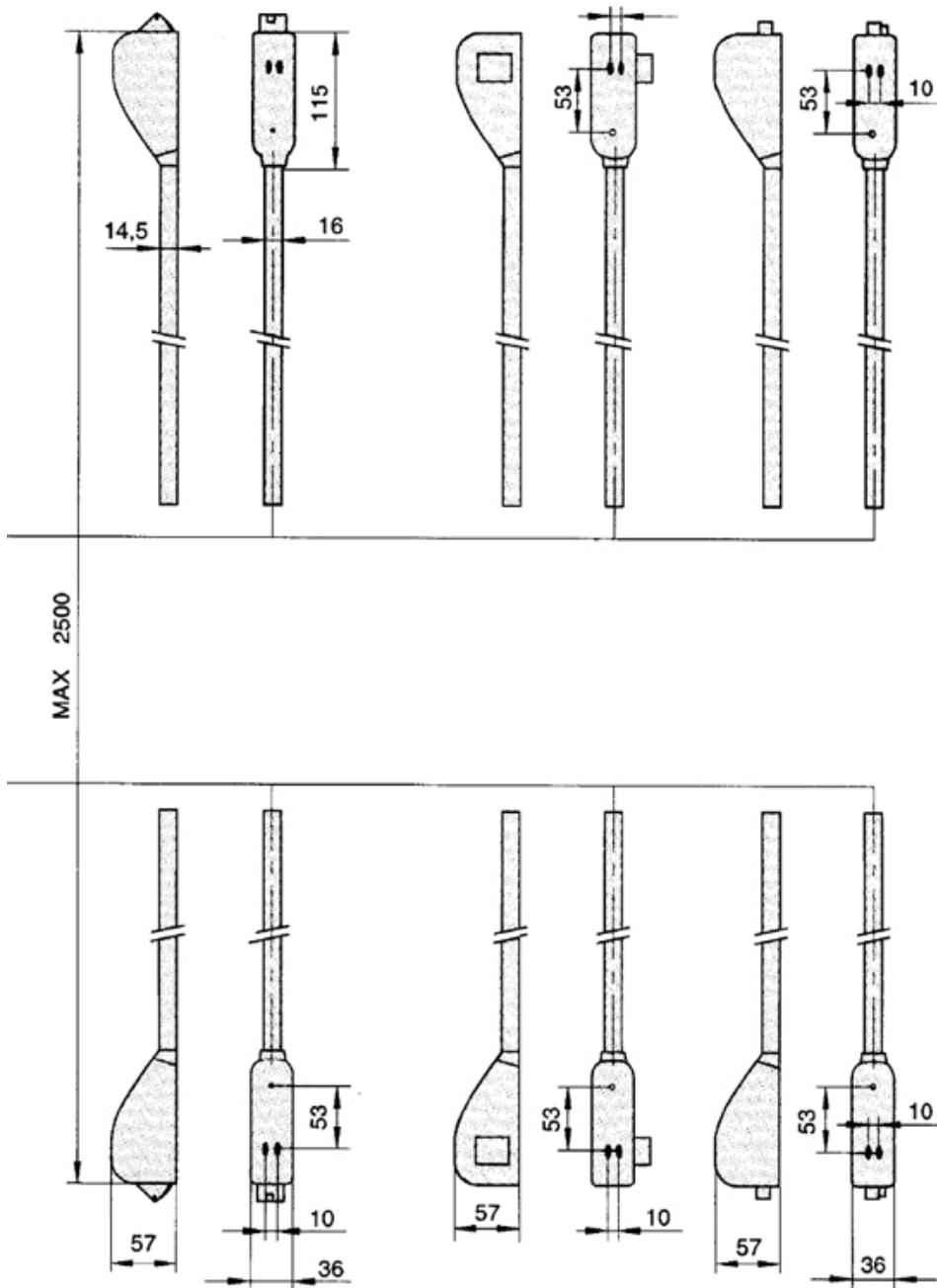
- DE07077/29/0 fixed knob - key operation only - supplied complete with 3 keys black
- Only suitable with single point panic hardware*



- DE07077/28/0 lockable lever handle - supplied complete with 3 keys black
- Suitable with all models of Cisa panic hardware*

D&E cisa "panic pad" - panic hardware

| | | |
|----------------|------|--|
| CI/SfB | | |
| 31/59 | Xt 7 | |
| September 2007 | | |



Sales: 01733 896123



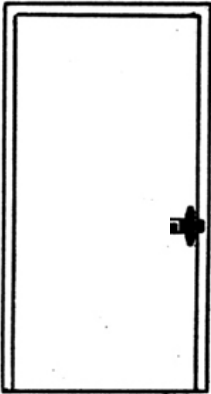
N-1016

Fax: 01733 894466

E&OE

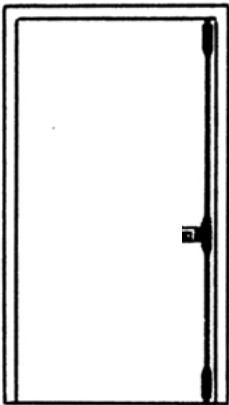
| | | |
|----------------|-------|------|
| CI/SfB | 31/59 | Xt 7 |
| September 2007 | | |

Diagram PP1



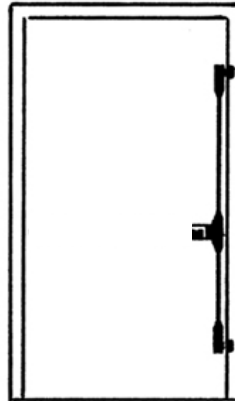
1 point locking
DE59050 / 10 / 0
Consisting of
DE59050 / 10 / 1PT

Diagram PP2



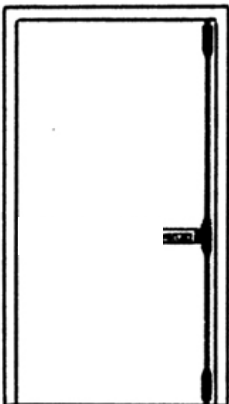
2 point locking
DE59065 / 10 / 0 / TBL
Consisting of
DE59065 / 10 / 2PT
and
DE07063 / 60

Diagram PP4



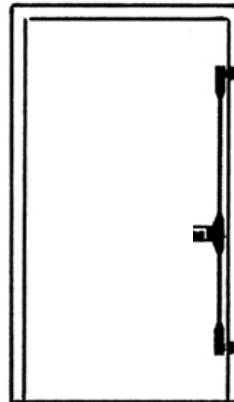
2 point locking
DE59065 / 10 / 0 / SSL
Consisting of
DE59065 / 10 / 2PT
and
DE07063 / 50

Diagram PP3



3 point locking
DE59060 / 10 / 0 / TBL
Consisting of
DE59060 / 10 / 3PT
and
DE07063 / 60

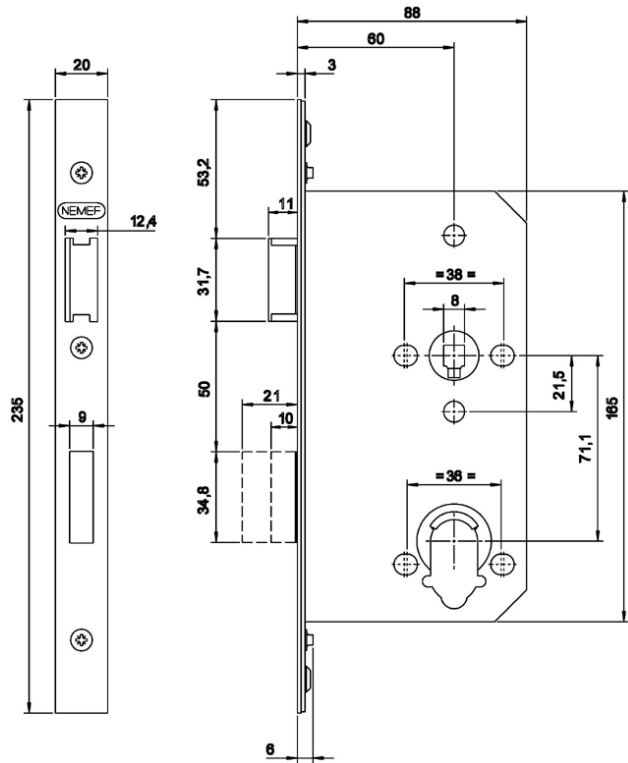
Diagram PP5



3 point locking
DE59060 / 10 / 0 / SSL
Consisting of
DE59060 / 10 / 3PT
and
DE07063 / 50

D&E 6100 series lockcases - extra heavy duty

| | | |
|----------------|------|--|
| CI/SfB | | |
| 31/59 | Xt 7 | |
| September 2007 | | |



European style reversible lockcase range to suit euro profile & oval profile cylinders. Dimensions to DIN 18251, class 3.

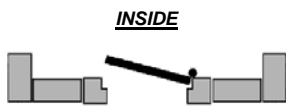


Fig. 1 - Left Hand - Open In

DE6102/17/1LH

anti-panic lockcase - 60mm backset - split follower - fig. 1 - sqfe sat. stainless steel

DE6102/5/1LH/SB

anti-panic lockcase - 60mm backset - split follower - fig. 1 - sqfe sat. brass

DE6102/6/1LH/PB

anti-panic lockcase - 60mm backset - split follower - fig. 1 - sqfe pol. brass

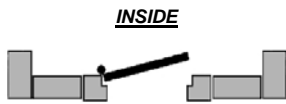


Fig. 2 - Right Hand - Open In

DE6102/17/2RH

anti-panic lockcase - 60mm backset - split follower - fig. 2 - sqfe sat. stainless steel

DE6102/5/2RH/SB

anti-panic lockcase - 60mm backset - split follower - fig. 2 - sqfe sat. brass

DE6102/6/2RH/PB

anti-panic lockcase - 60mm backset - split follower - fig. 2 - sqfe pol. brass

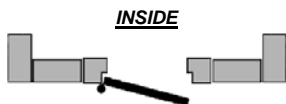


Fig. 3 - Left Hand - Open Out

DE6102/17/3LH

anti-panic lockcase - 60mm backset - split follower - fig. 3 - sqfe sat. stainless steel

DE6102/5/3LH/SB

anti-panic lockcase - 60mm backset - split follower - fig. 3 - sqfe sat. brass

DE6102/6/3LH/PB

anti-panic lockcase - 60mm backset - split follower - fig. 3 - sqfe pol. brass

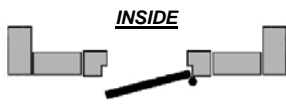


Fig. 4 - Right Hand - Open Out

DE6102/17/4RH

anti-panic lockcase - 60mm backset - split follower - fig. 4 - sqfe sat. stainless steel

DE6102/5/4RH/SB

anti-panic lockcase - 60mm backset - split follower - fig. 4 - sqfe sat. brass

DE6102/6/4RH/PB

anti-panic lockcase - 60mm backset - split follower - fig. 4 - sqfe pol. brass

DE6102/17/1PCE/LH

anti-panic lockcase - 60mm backset - split follower - fig 1/3 - sqfe sat. stainless steel

D&E 6100 series lockcases - extra heavy duty

| | | |
|----------------|------|--|
| CI/SfB | | |
| 31/59 | Xt 7 | |
| September 2007 | | |

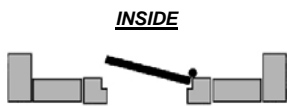


Fig. 1 - Left Hand - Open In

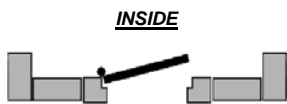


Fig. 2 - Right Hand - Open In

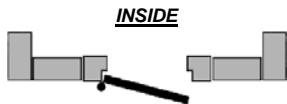


Fig. 3 - Left Hand - Open Out

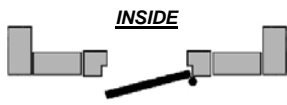


Fig. 4 - Right Hand - Open Out

| | | |
|-------------------|--|----------------------|
| DE6102/17/1PCE/RH | anti-panic lockcase - 60mm backset - through follower - fig 2/4 - sqfe | sat. stainless steel |
| DE6102/5/1PCE/LH | anti-panic lockcase - 60mm backset - through follower - fig 1/3 - sqfe | sat. brass |
| DE6102/5/1PCE/RH | anti-panic lockcase - 60mm backset - through follower - fig 2/4 - sqfe | sat brass |
| DE6102/6/1PCE/LH | anti-panic lockcase - 60mm backset - through follower - fig 1/3 - sqfe | pol. brass |
| DE6102/6/1PCE/RH | anti-panic lockcase - 60mm backset - through follower - fig 2/4 - sqfe | pol. brass |

Operation: lever operation retracts the latchbolt and deadbolt from the relevant handed side at all times - see handings below

Handings: Fig 1: open in anti-clockwise close
Fig 2: open in clockwise close
Fig 3: open out anti-clockwise close
Fig 4: open out clockwise close

| | | |
|-------------|---|----------------------|
| DE6104/17 | bathroom lock (8/8mm followers) - 60mm backset - sqfe | sat. stainless steel |
| DE6104/5/SB | bathroom lock (8/8mm followers) - 60mm backset - sqfe | sat. brass |
| DE6104/6/PB | bathroom lock (8/8mm followers) - 60mm backset - sqfe | pol. brass |
| DE6105/17 | latch - 60mm backset - sqfe | sat. stainless steel |
| DE6105/5/SB | latch - 60mm backset - sqfe | sat. brass |
| DE6105/6/PB | latch - 60mm backset - sqfe | pol. brass |
| DE6106/17 | nightlatch with holdback function - 60mm backset - sqfe | sat. stainless steel |
| DE6106/5/SB | nightlatch with holdback function - 60mm backset - sqfe | sat. brass |
| DE6106/5/PB | nightlatch with holdback function - 60mm backset - sqfe | pol. brass |
| DE6107/17 | nightlatch - 60mm backset - sqfe | sat. stainless steel |
| DE6107/5/SB | nightlatch - 60mm backset - sqfe | sat. brass |
| DE6107/6/PB | nightlatch - 60mm backset - sqfe | pol. brass |
| DE6108/17 | deadlock - 60mm backset - sqfe | sat. stainless steel |
| DE6108/5/SB | deadlock - 60mm backset - sqfe | sat. brass |
| DE6108/6/PB | deadlock - 60mm backset - sqfe | sat. brass |
| DE6109/17 | sashlock - 60mm backset - sqfe | sat. stainless steel |
| DE6109/5/SB | sashlock - 60mm backset - sqfe | sat. brass |
| DE6109/6/PB | sashlock - 60mm backset - sqfe | pol. brass |

Case: zinc plated white lacquered

Centres: profile cylinder: 72mm
wc: 78mm

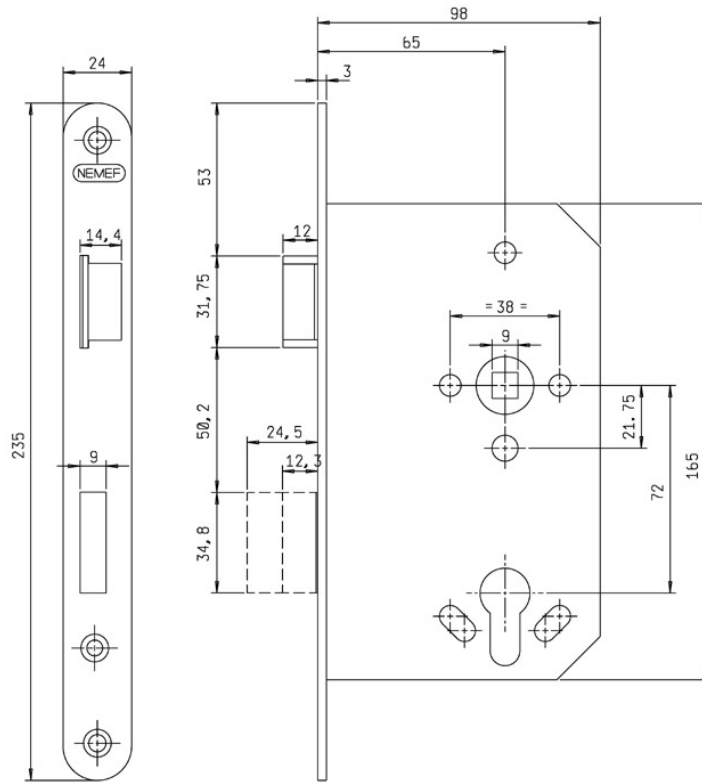
Deadbolt: 20mm double throw, die cast - nickel plated

Follower: 8mm, brass with spring grip, heavy sprung to suit unsprung door furniture - through follower unless otherwise stated

Latchbolt: reversible, die cast - nickel plated.

Supplied complete with fixings and strike plate.

NOTE:- 13mm & 25mm rebate sets are available to order



European style anti-panic lockcase to suit euro profile cylinders.
Tested to DIN 18250.

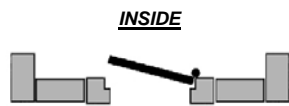


Fig. 1 - Left Hand - Open In

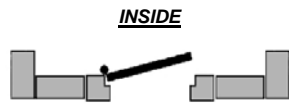


Fig. 2 - Right Hand - Open In

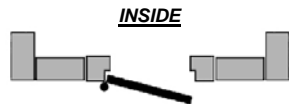


Fig. 3 - Left Hand - Open Out

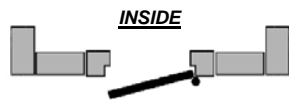


Fig. 4 - Right Hand - Open Out

DE1769/77/1LH

DE1769/77/2RH

DE1769/56/3LH

DE1769/56/4RH

DE1769/35/1PCE/LH

DE1769/35/1PCE/RH

anti-panic lockcase - 65mm backset - split follower - rfe sat. stainless steel
 anti-panic lockcase - 65mm backset - split follower - rfe sat. stainless steel
 anti-panic lockcase - 65mm backset - split follower - rfe sat. stainless steel
 anti-panic lockcase - 65mm backset - split follower - rfe sat. stainless steel
 anti-panic lockcase - 65mm backset - through follower - rfe sat. stainless steel
 anti-panic lockcase - 65mm backset - through follower - rfe sat. stainless steel

Case:

galvanised

Centres:

profile cylinder: 72mm

Deadbolt:

24.5mm, cast steel - zinc plated.

Follower:

9mm heavy sprung to suit unsprung door furniture.

Latchbolt:

handed, cast steel - chrome plated.

Operation:

lever operation from the inside retracts the latchbolt and deadbolt at all times. External key operation retracts the deadbolt only, lever handle operation retracts the latchbolt.

Handings:

See diagram and / or overleaf

D&E 1769 series anti-panic lockcase

| | | |
|----------------|------|--|
| CI/SfB | | |
| 31/59 | Xt 7 | |
| September 2007 | | |

Handings:

- Fig 1: open in anti-clockwise close
- Fig 2: open in clockwise close
- Fig 3: open out anti-clockwise close
- Fig 4: open out clockwise close

Strike plates or box strikes available to order.

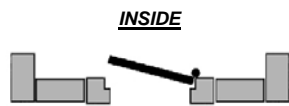


Fig. 1 - Left Hand - Open In

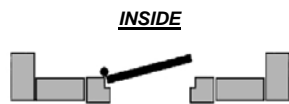


Fig. 2 - Right Hand - Open In

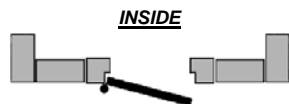


Fig. 3 - Left Hand - Open Out

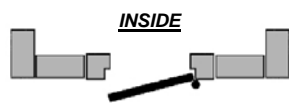
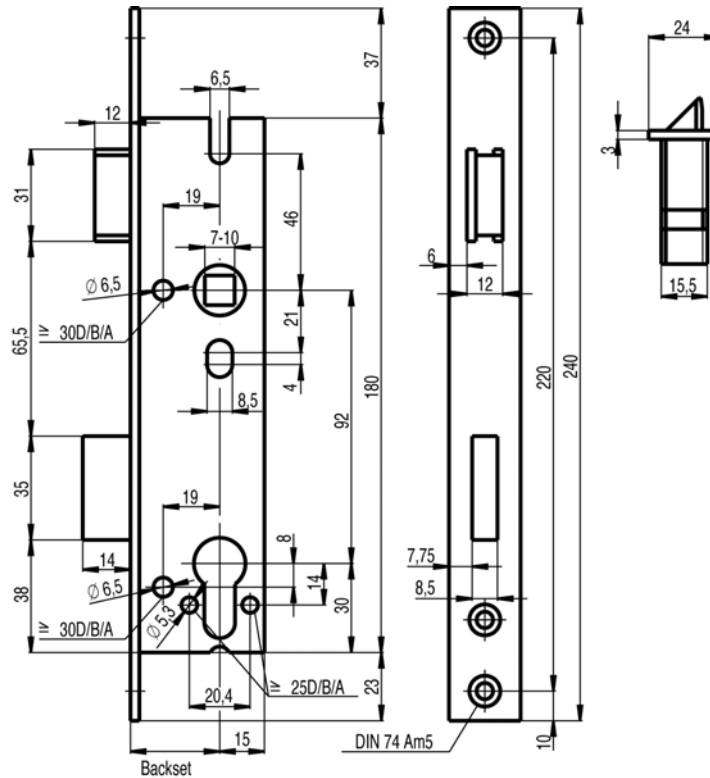


Fig. 4 - Right Hand - Open Out

D&E 18405 EP narrow stile anti-panic lockcase

| | | |
|----------------|------|--|
| CI/SfB | | |
| 31/59 | Xt 7 | |
| September 2007 | | |



Narrow stile anti-panic lockcase to suit euro profile cylinders.

- DE18405EP/30/216 anti-panic lockcase - 30mm backset - through follower - sqfe sat. stainless steel
- DE18405EP/35/216 anti-panic lockcase - 35mm backset - through follower - sqfe sat. stainless steel
- DE18405EP/40/216 anti-panic lockcase - 40mm backset - through follower - sqfe sat. stainless steel
- DE18405EP/45/216 anti-panic lockcase - 45mm backset - through follower - sqfe sat. stainless steel

Forend: 24mm square end - stainless steel

Case: galvanised

Backset: **30 / 33 / 35 / 38 / 40 / 45mm**
(backsets shown in bold are standard stock lines - other backsets are available to special order)

Centres: profile cylinder: 92mm

Deadbolt: 14mm single throw, cast steel - nickel plated with anti-saw protection

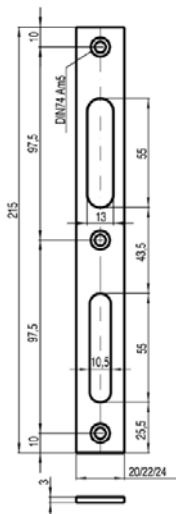
Follower: 8mm heavy sprung to suit unsprung door furniture

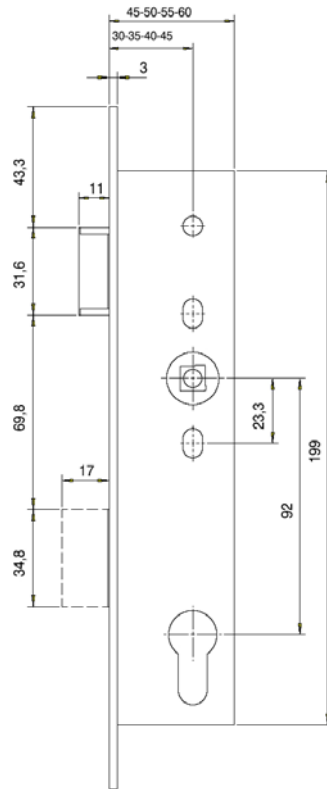
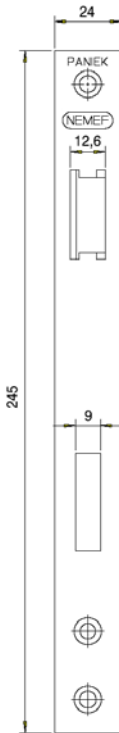
Latchbolt: reversible, cast steel - nickel plated

Operation: lever operation retracts the latchbolt and deadbolt at all times

NOTE: 13mm & 25mm rebate sets are available to order & strike plate DE1843500 is not supplied as standard with the lock.

DE1843500





INSIDE



Fig. 1 - Left Hand - Open In

INSIDE



Fig. 2 - Right Hand - Open In

INSIDE



Fig. 3 - Left Hand - Open Out

INSIDE



Fig. 4 - Right Hand - Open Out

Heavy duty narrow stile reversible anti panic sashlock to suit euro profile cylinders.

DE9672/30/SS/1-3LH

anti-panic lockcase - 30mm backset - split follower - fig. 1/3 - sqfe sat. stainless steel

DE9672/30/SS/2-4RH

anti-panic sashlock - 30mm backset - split follower - fig. 2/4 - sqfe sat. stainless steel

DE9673/35/SS/1-3LH

anti-panic lockcase - 35mm backset - split follower - fig. 1/3 - sqfe sat. stainless steel

DE9673/35/SS/2-4RH

anti-panic sashlock - 35mm backset - split follower - fig. 2/4 - sqfe sat. stainless steel

DE9674/40/SS/1-3LH

anti-panic lockcase - 40mm backset - split follower - fig. 1/3 - sqfe sat. stainless steel

DE9674/40/SS/2-4RH

anti-panic sashlock - 40mm backset - split follower - fig. 2/4 - sqfe sat. stainless steel

DE9675/45/SS/1-3LH

anti-panic lockcase - 45mm backset - split follower - fig. 1/3 - sqfe sat. stainless steel

DE9675/45/SS/2-4RH

anti-panic sashlock - 45mm backset - split follower - fig. 2/4 - sqfe sat. stainless steel

DE9672/30/SS/LH

anti-panic lockcase - 30mm backset - 1 pce follower - sqfe sat. stainless steel

DE9673/35/SS/RH

anti-panic sashlock - 35mm backset - 1 pce follower - sqfe sat. stainless steel

DE9674/40/SS/LH

anti-panic lockcase - 40mm backset - 1 pce follower - sqfe sat. stainless steel

DE9675/45/SS/RH

anti-panic sashlock - 45mm backset - 1 pce follower - sqfe sat. stainless steel

Operation:

lever operation retracts the latchbolt and deadbolt from the relevant handed side at all times

Handings:

Fig 1: open in anti-clockwise close

Fig 2: open in clockwise close

Fig 3: open out anti-clockwise close

Fig 4: open out clockwise close

D&E narrow stile anti-panic sashlock

| | | |
|----------------|------|--|
| CI/SfB | | |
| 31/59 | Xt 7 | |
| September 2007 | | |

Heavy duty narrow stile reversible anti panic sashlock to suit euro profile cylinders.



- Latchbolt: reversible, cast steel - nickel plated
- Deadbolt: 20mm single throw, cast steel - nickel plated
- Case: galvanised
- Follower: 8mm, heavy sprung to suit unsprung door furniture - through follower unless otherwise stated
- Centres: profile cylinder: 92mm
- Backset: **30 / 35 / 40 / 45mm**
(backsets shown in bold are standard stock lines - other backsets are available to special order)NOTE:

NOTE: 13mm & 25mm rebate sets are available to order



INSIDE



Fig. 1 - Left Hand - Open In

INSIDE



Fig. 2 - Right Hand - Open In

INSIDE



Fig. 3 - Left Hand - Open Out

INSIDE



Fig. 4 - Right Hand - Open Out



Stichting Kwaliteit Gevelbouw

Nieuwe Kanaal 9F
6709 PA Wageningen

T : 0317 - 421720
F : 0317 - 421677

Postbus 362
6700 AJ Wageningen

E : info@skg.nl
I : www.skg.nl



EC-CERTIFICATE OF CONFORMITY

0960 - CPD - 427.008

In compliance with the Directive 89/106/EEC of the Council of European Communities of 21 December 1988 on the approximation of laws, regulations and administrative provisions of the Member States relating to the construction products (Construction Products Directive - CPD), amended by the Directive 93/68/EEC of the Council of European Communities of 22 July 1993, it has been stated that the construction product

Locks 9600 series

as specified in attached appendix (1 page)

produced and placed on the market by

NEMEF B.V.
Papegaaieweg 35
Wenum Wiesel

is submitted by the manufacturer to a factory production control (FPC) and the further testing of samples taken at the factory in accordance with a prescribed test plan and that the notified body - SKG - has performed the initial type-testing for the relevant characteristics of the product, the initial inspection of the factory and of the FPC and performs the continuous surveillance, assessment and approval of the FPC and an audit testing of samples taken at the factory, on the market or at the construction site.

This certificate attests that all provisions concerning the attestation of conformity and the performances described in Annex ZA of the standard

EN 12209:2003

were applied and that the product fulfils all the prescribed requirements.

This certificate was first issued on 11 May 2007 and remains valid as long as the conditions laid down in the harmonised technical specification in reference or the manufacturing conditions in the factory or the FPC itself are not modified significantly.

Wageningen, 11 May 2007

ir. F.A. Zandstra
Manager

This Certificate has 1 page and 1 appendix (1 page)

Sales: 01733 896123



N-1024

Fax: 01733 894466

E&OE

| | | |
|----------------|-------|------|
| CI/SfB | 31/59 | Xt 7 |
| September 2007 | | |



D&E contractors cylinder plug

The D&E cylinder plug is available in ten (10) differs. It is designed so that the contractor can limit access to, or secure a room until the cylinders arrive. Installation / removal is achieved in the same manner as a euro profile cylinder.

| | |
|---------------|---------------|
| DE7460/401/1 | key series 1 |
| DE7460/401/2 | key series 2 |
| DE7460/401/3 | key series 3 |
| DE7460/401/4 | key series 4 |
| DE7460/401/5 | key series 5 |
| DE7460/401/6 | key series 6 |
| DE7460/401/7 | key series 7 |
| DE7460/401/8 | key series 8 |
| DE7460/401/9 | key series 9 |
| DE7460/401/10 | key series 10 |

Operation: the key acts as a cylinder cam and operates the lock as a normal profile cylinder does.

Also available is a conversion plug to convert a euro profile lockcase to a wc function - 6mm follower incorporated - DE57100

This contractors cylinder insert is to be used as a temporary cylinder and should not be used in lieu of a permanent cylinder

D&E hook spindle - DESP5001/65



For use on applications where a lever is installed on one side of the door only. The hook is secured by tightening the grub screw located down the centre of the spindle.

DESP5001/65 hook spindle - 65mm

Door thickness: 50 - 55mm
Diameter: 8mm

Supplied complete with allen key.

Suitable for use with any D&E lockcase with an 8mm through follower.

D&E half spindle - PVCu handles



For use with PVCu handles with a bolt through fixing - lever / offset lever or pad.

DESP5011/55 half spindle - 55mm

DESP5011/65 half spindle - 65mm

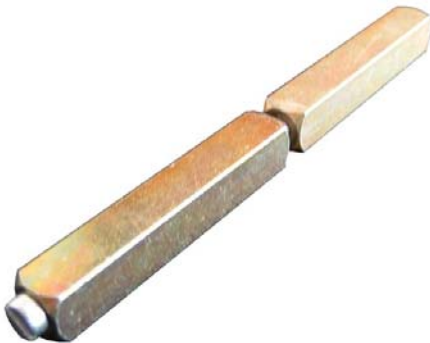
DESP5011/75 half spindle - 75mm

Diameter: 8mm

Supplied complete with allen key.

Suitable for use with any D&E lockcase with an 8mm through follower.

D&E split spindle



For use on applications where anti-panic locks with a 8mm split follower are installed.

DESP5002/100 8mm split spindle - 50 / 50mm

DESP5003/100 9mm split spindle - 50 / 50mm

Door thickness: 54mm

| | | |
|----------------|-------|------|
| CI/SfB | 31/59 | Xt 7 |
| September 2007 | | |



D&E split spindle - PVCu handles

For use with PVCu handles with a bolt through fixing - lever / lever or pad.

Primarily for use on nightlatch multi-point locks.

DESP5004/110 8mm split spindle - 55 / 65mm



D&E Pitts mortice spindle

For use on applications where a set of levers or knob furniture is used which rely on the rose or backplate fixings to secure them to the door.

This spindle is highly recommended for use on handles for PVCu and Aluminium applications.

DESP5005/150 5mm pitts mortice spindle - 150mm

DESP5007/150 7mm pitts mortice spindle - 150mm

DESP5008/150 8mm pitts mortice spindle - 150mm

All above D&E Pitts mortice spindles will suit a door thickness of 90mm

D&E spindle sleeve range.



DERBSL58 spindle sleeve 5mm up to 8mm
DERBSL67 spindle sleeve 6mm up to 7mm
DERBSL68 spindle sleeve 6mm up to 8mm
DERBSL78 spindle sleeve 7mm up to 8mm
DERBSL89 spindle sleeve 8mm up to 9mm

Dimensions: 15mm standard length

Packaging: each

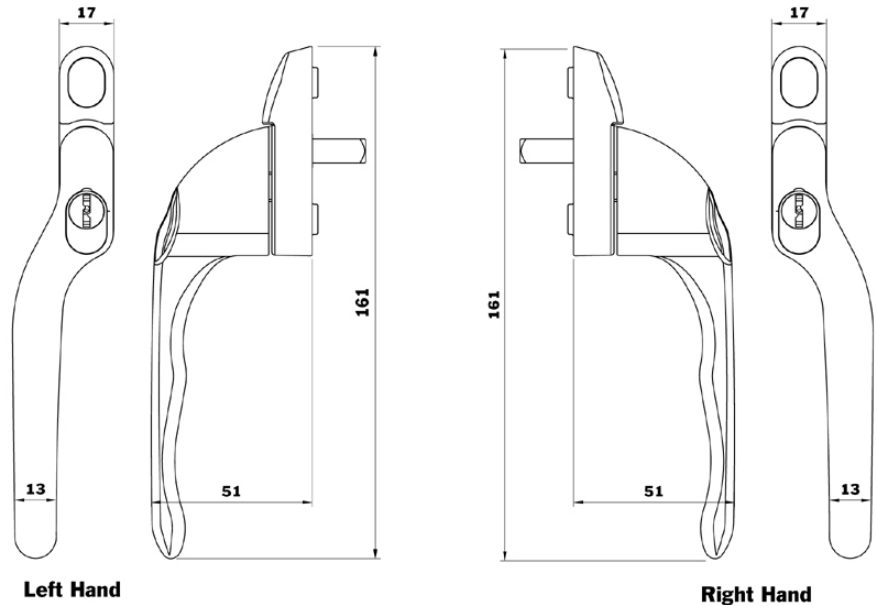
DERBSL67/1 spindle sleeve 6mm up to 7mm
DERBSL68/1 spindle sleeve 6mm up to 8mm
DERBSL78/1 spindle sleeve 7mm up to 8mm

Dimensions: 1 metre length

Packaging: each

D&E Nimbus MKII espagnolette handle - locking

The D&E Nimbus MKII espagnolette handle is designed to suite with the D&E Stratus door handle range.



Key locking

| | | |
|-------------------|---------------------------------|-------------------|
| DEESP40403/40/WT | key locking - 40mm spindle - LH | white |
| DEESP40404/40/WT | key locking - 40mm spindle - RH | white |
| DEESP40423/40/PC | key locking - 40mm spindle - LH | pol. chrome |
| DEESP40424/40/PC | key locking - 40mm spindle - RH | pol. chrome |
| DEESP40453/40/BK | key locking - 40mm spindle - LH | black |
| DEESP40454/40/BK | key locking - 40mm spindle - RH | black |
| DEESP40493/40/PBP | key locking - 40mm spindle - LH | pol. brass plated |
| DEESP40494/40/PBP | key locking - 40mm spindle - RH | pol. brass plated |
| DEESP99499 | spare keys - pack of 100 | |

Alternative spindle lengths available to special order -
 (box quantities of 20 pcs of the same hand and finish only)

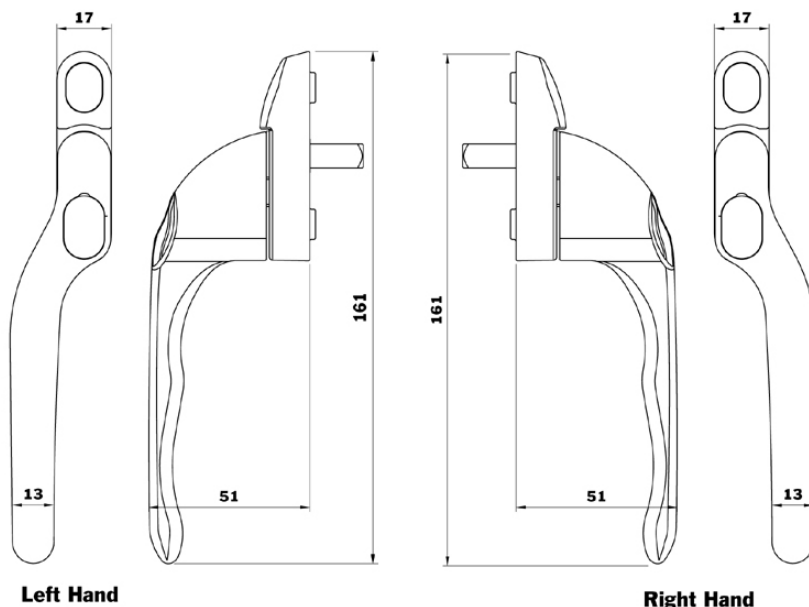
- 12mm
- 16mm
- 20mm
- 25mm
- 30mm

All of the above espagnolette handles have a 7mm spindle.

| | | |
|----------------|------|--|
| CI/SfB | | |
| 31/59 | Xt 7 | |
| September 2007 | | |

D&E Nimbus MKII espagnolette handle - non locking

The D&E Nimbus MKII espagnolette handle is designed to suite with the D&E Stratus door handle range. All D&E Nimbus MKII non locking espagnolette handles have a green button to highlight an egress window.



Non-locking version

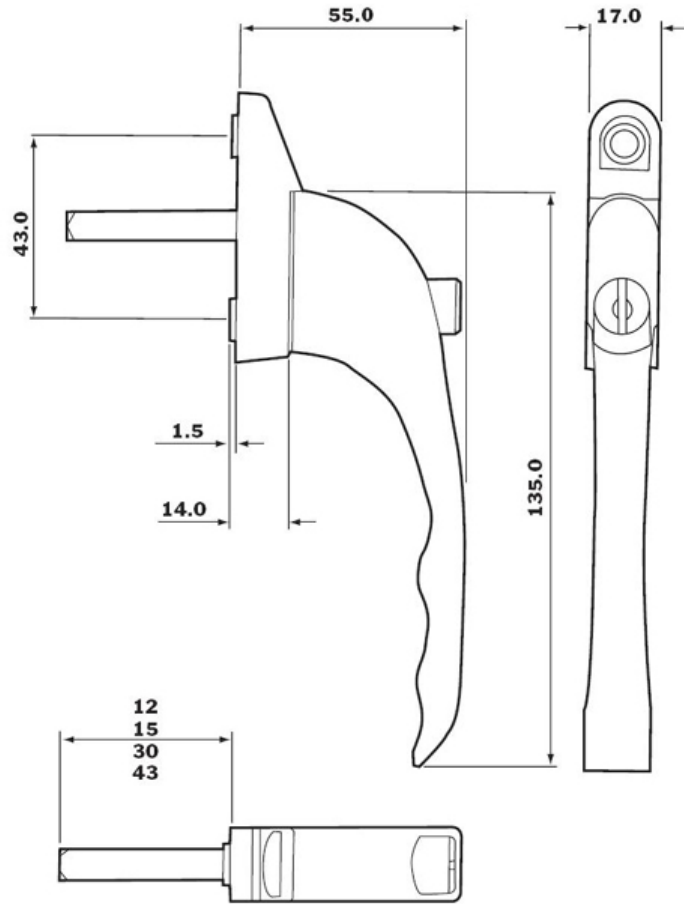
| | | |
|--------------------|---------------------------------|-------------------|
| DEESP40401G/40/WT | non-locking - 40mm spindle - LH | white |
| DEESP40402G/40/WT | non-locking - 40mm spindle - RH | white |
| DEESP40421G/40/PC | non-locking - 40mm spindle - LH | pol. chrome |
| DEESP40422G/40/PC | non-locking - 40mm spindle - RH | pol. chrome |
| DEESP40491G/40/PBP | non-locking - 40mm spindle - LH | pol. brass plated |
| DEESP40492G/40/PBP | non-locking - 40mm spindle - RH | pol. brass plated |

Alternative spindle lengths available to special order - 20mm
 (box quantities of 20 pcs of the same hand and finish only)

All of the above espagnolette handles have a 7mm spindle.

D&E Nimbus MKII inline espagnolette handle - locking

The D&E Nimbus MKII espagnolette handle is designed to suite with the D&E Stratus door handle range.



Key locking

| | | |
|-------------------|----------------------------|--------------------|
| DEESP30200/30/WT | key locking - 30mm spindle | white |
| DEESP30220/30/PC | key locking - 30mm spindle | pol. chrome plated |
| DEESP30290/30/PBP | key locking - 30mm spindle | pol. brass plated |

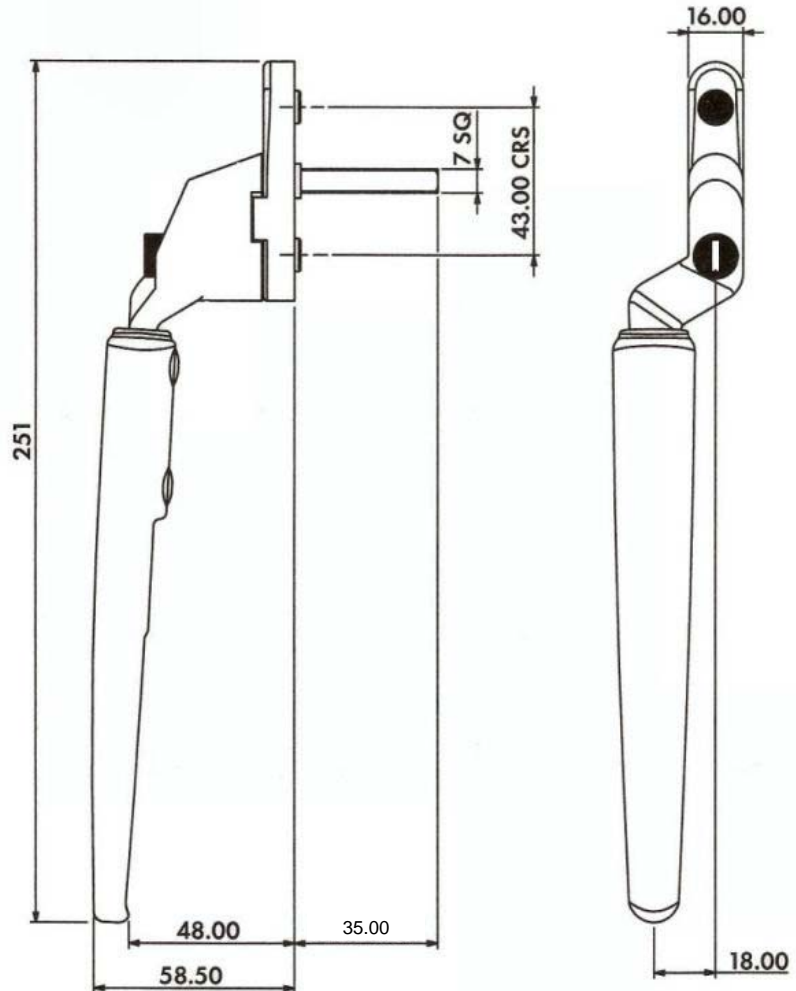
Alternative spindle lengths available to special order - 12mm
 (box quantities of 20 pcs only) 25mm
 43mm

All of the above espagnolette handles have a 7mm spindle.

| | | |
|----------------|------|--|
| CI/SfB | | |
| 31/59 | Xt 7 | |
| September 2007 | | |

D&E Extended offset espagnolette handle - locking

The D&E extended espagnolette handle is designed for use by disabled and the elderly.

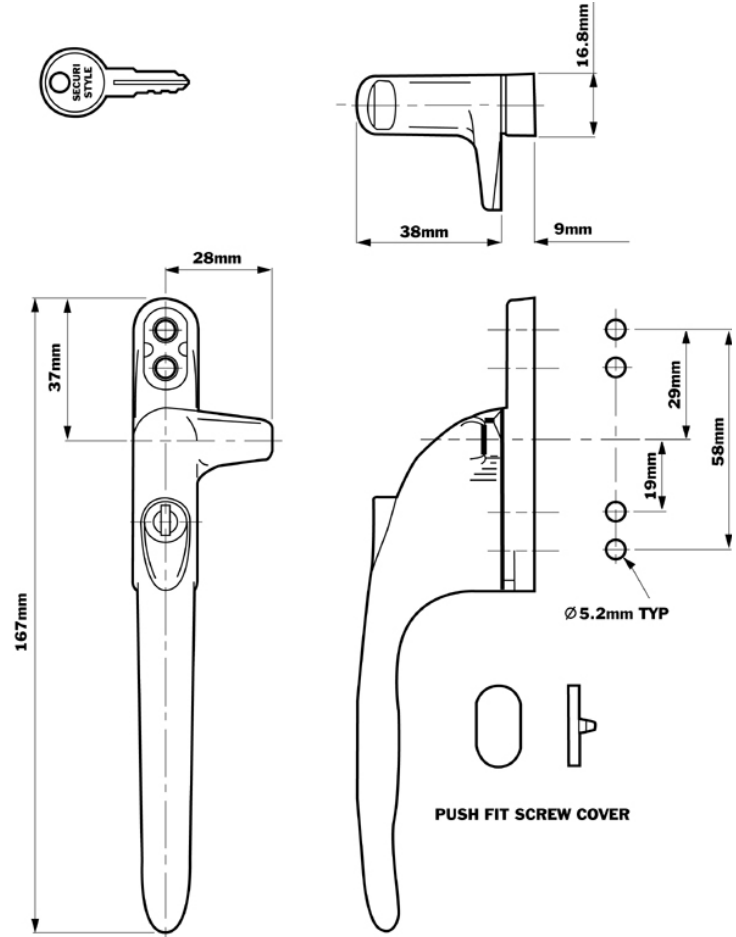


Key locking

- DEESP017011/35/WT key locking - 35mm spindle - LH white
- DEESP017021/35/WT key locking - 35mm spindle - RH white

All of the above espagnolette handles have a 7mm spindle.

D&E Virage cockspur handle - locking



Key locking

DECSP10903/WT
 DECSP10904/WT
 DECSP10913/SI
 DECSP10914/SI
 DECSP10953/BK
 DECSP10954/BK
 DECSP10993/PBP
 DECSP10994/PBP

| | |
|--------------------------------|-------------------|
| key locking - 9mm upstand - LH | white |
| key locking - 9mm upstand - RH | white |
| key locking - 9mm upstand - LH | silver |
| key locking - 9mm upstand - RH | silver |
| key locking - 9mm upstand - LH | black |
| key locking - 9mm upstand - RH | black |
| key locking - 9mm upstand - LH | pol. brass plated |
| key locking - 9mm upstand - RH | pol. brass plated |

DECSP21903/WT
 DECSP21904/WT

| | |
|---------------------------------|-------|
| key locking - 21mm upstand - LH | white |
| key locking - 21mm upstand - RH | white |

Striker plates

DESTR10013/WT
 DESTR10024/WT
 DESTR10035/WT
 DESTR10046/WT
 DESTR10068/WT

| | |
|---------------------|-------|
| striker plate - 3mm | white |
| striker plate - 4mm | white |
| striker plate - 5mm | white |
| striker plate - 6mm | white |
| striker plate - 8mm | white |

| | | |
|----------------|------|--|
| CI/SfB | | |
| 31/59 | Xt 7 | |
| September 2007 | | |

Striker plates cont'd

| | | |
|---------------|---------------------|-------|
| DESTR15013/BK | striker plate - 3mm | black |
| DESTR15035/BK | striker plate - 5mm | black |
| DESTR19068/BK | striker plate - 8mm | black |

***A comprehensive range of
tilt & turn handles
are available - please contact
the sales team for further information***

| | | |
|----------------|-------|------|
| CI/SfB | 31/59 | Xt 7 |
| September 2007 | | |

D&E Defender standard friction hinge.



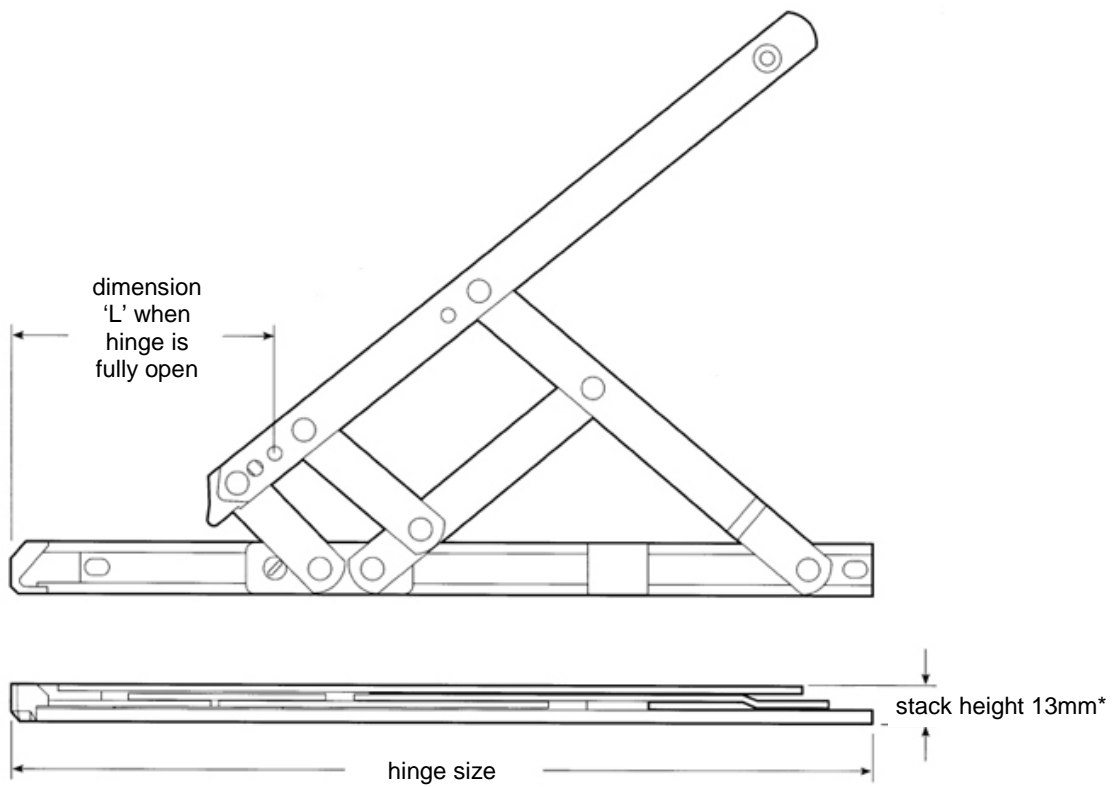
The D&E Defender standard friction hinge is designed for consistent reliability and accuracy of closure, the original Defender friction hinge is repeatedly specified by local authorities and housing associations where a long life and high performance are key criteria.

Point of sale:

- first BBA approved friction hinge.
- foolproof location system for reliable accurate closure.
- easy to fit
- effective weather proofing and draught-proofing to BS6375 pt 2.
- smooth operation with unique cam friction device provides reduced operating forces.
- long and reliable working life tested to operate for the equivalent of 100 years.
- Available in 6" to 24" top hung, 12" and 16" side hung.

Applications.

- A high performance stay for standard casement windows (PVCu, aluminium or timber)



* other stack heights are available to order

Top hung

| part number | hinge size (mm) | max window weight (Kg) | max window height (mm) | min window height (mm) | max opening angle (+/- 2.5°) | dimension 'L' mm |
|-------------|-----------------|------------------------|------------------------|------------------------|------------------------------|------------------|
| DETH150D | 159 | 10 | 300 | 150 | 50° | 63 |
| DETH200D | 209 | 12 | 350 | 200 | 50° | 83 |
| DETH250D | 259 | 16 | 400 | 275 | 80° | 131 |
| DETH300D | 310 | 20 | 550 | 350 | 80° | 164 |
| DETH400D | 412 | 21 | 750 | 500 | 80° | 239 |
| DETH500D | 513 | 24 | 1000 | 700 | 50° | 215 |
| DETH600D | 615 | 35 | 1200 | 850 | 37.5° | 156 |

Side hung

| part number (side hung) | hinge size (mm) | max window weight (Kg) | max window width (mm) | min window width (mm) | max opening angle (+/- 2.5°) | dimension 'L' mm |
|-------------------------|-----------------|------------------------|-----------------------|-----------------------|------------------------------|------------------|
| DESH300D | 310 | 22 | 600 | 300 | 60° | 172 |
| DESH400D | 412 | 24 | 700 | 400 | 60° | 170 |

| | | |
|----------------|------|--|
| CI/SfB | | |
| 31/59 | Xt 7 | |
| September 2007 | | |

D&E Defender Egress friction hinge.



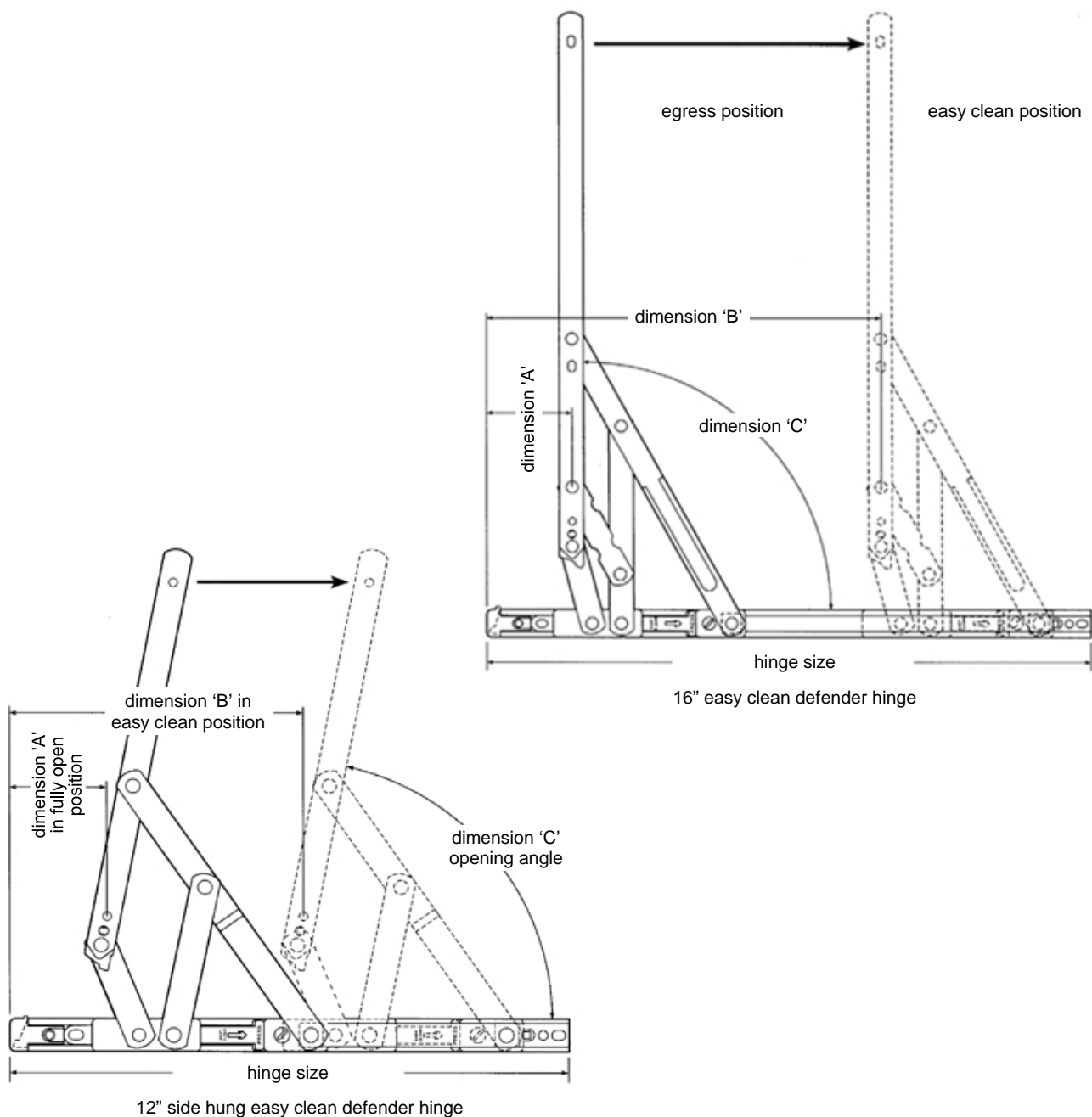
Designed to allow easy window cleaning, the D&E Defender Egress friction hinge has been significantly developed to meet "access in case of fire regulations" such as BS 5588. It satisfies the increased safety requirements including emergency exit, now demanded by local authorities and other public bodies for side hung windows.

Point of sale:

- allows window casement to open a full 90° for emergency exit.
- built in second slider - invisible when the window is closed - gives easy clean facility at the press of a lever allowing the window to slide across the hinge track so that both sides of the window can be cleaned from the inside.
- automatically resets to normal operation mode when window is closed
- unique controllable friction device negates the need for a peg to hold the window open.
- end point features a stepped, asymmetric face for positive location within the end cap effecting more secure closure.
- special 12" side hung, easy clean versions also available - opening to 80°.
- complies with BS 5588 pt 1:1990 for fire escape windows - which specifies a minimum clear opening of 500mm wide x 850mm high and a maximum height of 1.1metres from the floor to the sill.

Applications.

- A high performance stay for standard casement windows (PVCu, aluminium or timber)



Side hung

| part number (side hung) | hinge size (mm) | max window weight (Kg) | max window width (mm) | min window width (mm) | max dimension 'A' mm | max dimension 'B' mm | max dimension 'C' mm (+/- 2.5°) |
|-------------------------|-----------------|------------------------|-----------------------|-----------------------|----------------------|----------------------|---------------------------------|
| DESH300D/EE | 310 | 22 | 600 | 300 | 54 | 163 | 80° |
| DESH400D/EE | 413 | 24 | 700 | 400 | 57 | 268 | 90° |

| | | |
|----------------|-------|------|
| CI/SfB | 31/59 | Xt 7 |
| September 2007 | | |

D&E Defender Restrictor friction hinge.

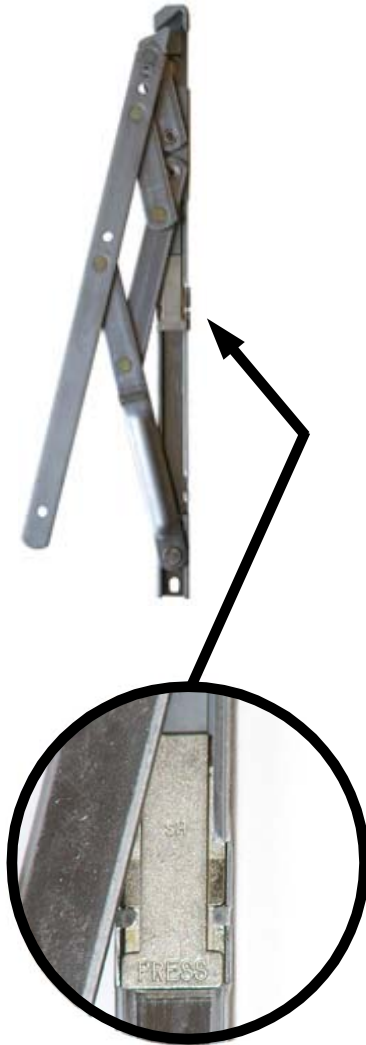
Designed to allow restricted opening of the window. The D&E Defender Restrictor friction hinge with built in restrictor combines two essential safety features in one mechanism - a child resistant lever to limit the window opening and a quick release function, allowing the window to be fully opened for easy cleaning or total ventilation.

Point of sale:

- restricts window casement to open.
- automatically resets to restricted operation mode when window is closed
- unique controllable friction device negates the need for a peg to hold the window open.
- end point features a stepped, asymmetric face for positive location within the end cap effecting more secure closure.

Applications.

A high performance stay for standard casement windows (PVCu, aluminium or timber) where restricted opening is required.



Right hand hinge illustrated

Side hung defender restrictors

| part number (side hung) | hinge size (mm) | max window weight (Kg) | max window width (mm) | min window width (mm) | max restricted opening angle | max opening angle |
|----------------------------|--------------------|---------------------------|--------------------------|--------------------------|------------------------------|-------------------|
| DESH300D/REST/L | 310 | 22 | 600 | 300 | 13° | 58° |
| DESH300D/REST/R | 310 | 22 | 600 | 300 | 13° | 58° |
| DESH400D/REST/L | 413 | 24 | 700 | 400 | 11° | 58° |
| DESH400D/REST/R | 413 | 24 | 700 | 400 | 11° | 58° |

Top hung defender restrictors

| part number (top hung) | hinge size (mm) | max window weight (Kg) | max window height (mm) | min window height (mm) | max restricted opening angle | max opening angle |
|---------------------------|--------------------|---------------------------|---------------------------|---------------------------|------------------------------|-------------------|
| DETH300D/REST | 310 | 22 | 550 | 350 | 14° | 65° |
| DETH400D/REST | 413 | 22 | 780 | 500 | 10° | 59° |
| DETH500D/REST | 513 | 24 | 1100 | 700 | 7° | 50° |
| DETH600D/REST | 615 | 24 | 1300 | 850 | 6° | 37.5 |

| | | |
|----------------|------|--|
| CI/SfB | | |
| 31/59 | Xt 7 | |
| September 2007 | | |

D&E Menova series locking hook stay



The DE1023 locking hook stay is designed for limiting / restricting the opening of a window. Suitable for use on aluminium, timber & PVCu inward & outward opening windows.

To lock the DE1023 it must be used in conjunction with either the DE1012W or DE1013B key operated locks (see below).

This product ensures **duty of care** for the restricting the opening of windows on the first floor and above.

DE1023 locking hook stay zinc plated

Length: 110mm

Clutch head security fixing screws supplied as standard.



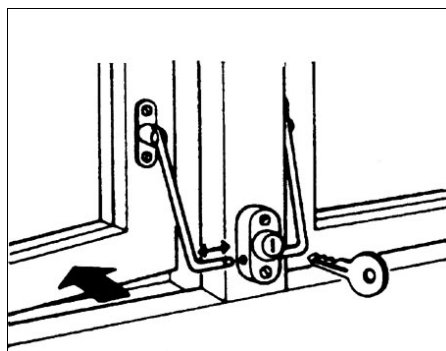
D&E Menova series lock

The DE1012W & DE1013B lock is designed for use in conjunction with the DE1023 locking hook stay, DE1033 adjustable locking hook stay & the DE1043 locking pin.

Suitable for use on aluminium, timber & PVCu inward & outward opening windows.

DE1012W lock to suit menova stay white
 DE1013B lock to suit menova stay brown

Clutch head security fixing screws supplied as standard.



| | | |
|----------------|-------|------|
| CI/SfB | | |
| | 31/59 | Xt 7 |
| September 2007 | | |



D&E Menova series - adjustable locking hook stay

The DE1033 adjustable locking hook stay is designed for limiting / restricting the opening of a window. Suitable for use on aluminium, timber & PVCu inward & outward opening windows.

To lock the DE1033 it must be used in conjunction with either the DE1012W or DE1013B key operated locks (see below).

This product ensures **duty of care** for the restricting the opening of windows on the first floor and above.

DE1033 adjustable locking hook stay zinc plated
 Length: 150 to 200mm (adjustable)

Clutch head security fixing screws supplied as standard.



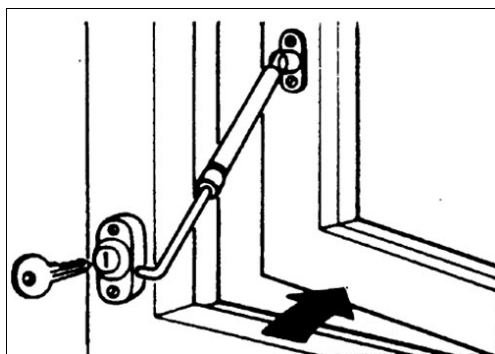
D&E Menova series lock

The DE1012W & DE1013B lock is designed for use in conjunction with the DE1023 locking hook stay, DE1033 adjustable locking hook stay & the DE1043 locking pin.

Suitable for use on aluminium, timber & PVCu inward & outward opening windows.

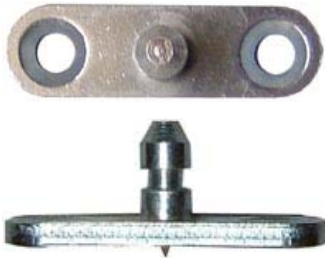
DE1012W lock to suit menova stay white
 DE1013B lock to suit menova stay brown

Clutch head security fixing screws supplied as standard.



| | | |
|----------------|------|--|
| CI/SfB | | |
| 31/59 | Xt 7 | |
| September 2007 | | |

D&E Menova series - locking pin



The DE1043 locking pin is designed to prevent the opening of a window unless the key is used. Suitable for use on aluminium, timber & PVCu inward & outward opening windows.

To lock the DE1043 it must be used in conjunction with either the DE1012W or DE1013B key operated locks (see below).

This product ensures **duty of care** for the restricting the opening of windows on the first floor and above.

DE1043 locking pin zinc plated

Clutch head security fixing screws supplied as standard.



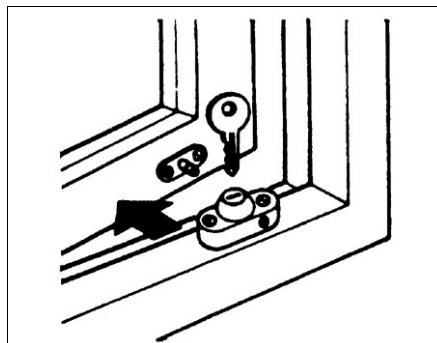
D&E Menova series lock

The DE1012W & DE1013B lock is designed for use in conjunction with the DE1023 locking hook stay, DE1033 adjustable locking hook stay & the DE1043 locking pin.

Suitable for use on aluminium, timber & PVCu inward & outward opening windows.

DE1012W lock to suit menova stay white
 DE1013B lock to suit menova stay brown

Clutch head security fixing screws supplied as standard.



| | | |
|----------------|------|--|
| CI/SfB | | |
| 31/59 | Xt 7 | |
| September 2007 | | |

D&E Res-lok face fix window restrictor

The DEJBC360 & DEJBC361 are locking face fix window restrictors designed to limit the opening of a window to 100mm. Suitable for use on aluminium, timber & PVCu, inward & outward opening including side hung, top hung & tilt & turn windows.



Surface mounted for quick and easy installation.

This product ensures **duty of care** for the restricting the opening of windows on the first floor and above. Conforms to BS6375 Part 2:1987.

- DEJBC360/LH/WT face fix locking window restrictor - LH white
- DEJBC361/RH/WT face fix locking window restrictor - RH white

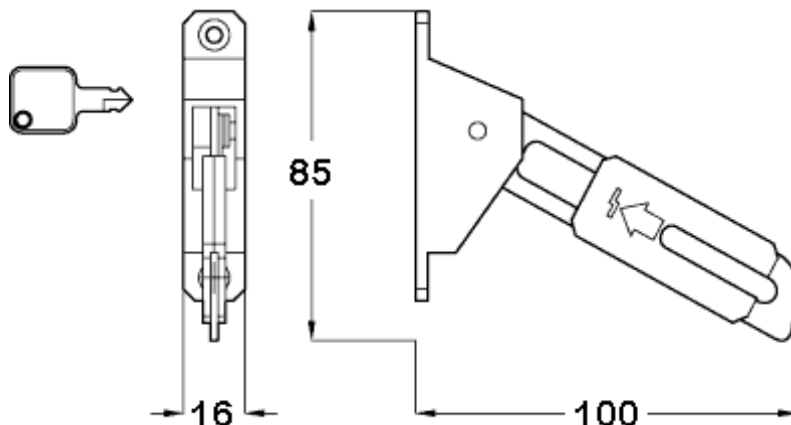
Construction: stainless steel & zinc alloy

Window opening: 100mm

Operation: Automatic locking on opening the window, only releaseable via the key.

Stud lengths: (see page O-1017)

Supplied handed



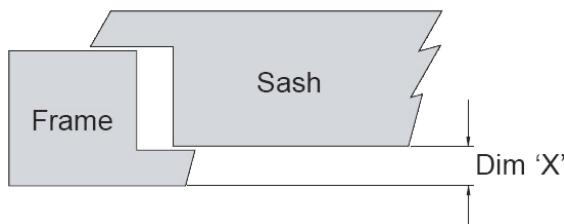
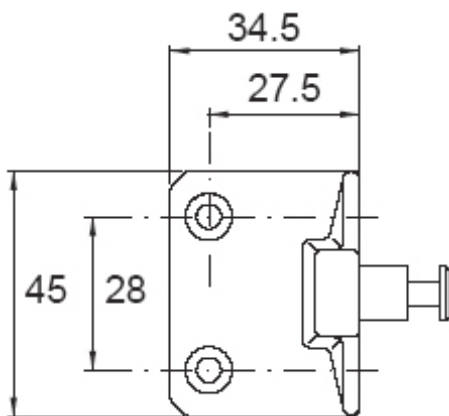
| | | |
|----------------|------|--|
| CI/SfB | | |
| 31/59 | Xt 7 | |
| September 2007 | | |

D&E angled stud to suit Res-lok face fix window restrictor

| | | |
|----------------|---------------------|-------|
| DEJBC362/5/WT | 0-5mm offset stud | white |
| DEJBC362/10/WT | 5-10mm offset stud | white |
| DEJBC362/15/WT | 10-15mm offset stud | white |
| DEJBC363/20/WT | 15-20mm offset stud | white |
| DEJBC363/25/WT | 20-25mm offset stud | white |
| DEJBC363/30/WT | 25-30mm offset stud | white |

Construction: stainless steel & zinc alloy

To establish the correct length of stud required, measure the offset from the sash from the frame (*Dim. X*) and select the correct angled stud plate from the list above (see diagram below for further details)



| | | |
|----------------|------|--|
| CI/SfB | | |
| 31/59 | Xt 7 | |
| September 2007 | | |



D&E Res-lok concealed fix window restrictor

The *DEJBC327* & *DEJBC328* are concealed fix window restrictors designed to limit the opening of a window to 100mm. Suitable for use on aluminium, timber & PVCu inward & outward opening including side hung, top hung & tilt & turn windows.

Euro groove or surface mounted for quick and easy installation.

This product ensures **duty of care** for the restricting the opening of windows on the first floor and above. Conforms to BS6375 Part 2:1987.

DEJBC327/LH/NF concealed fix locking window restrictor - LH self colour
DEJBC328/RH/NF concealed fix locking window restrictor - RH self colour

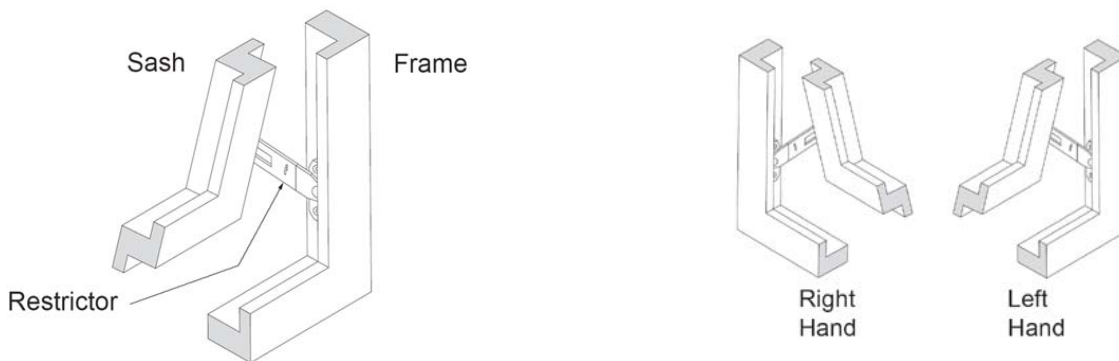
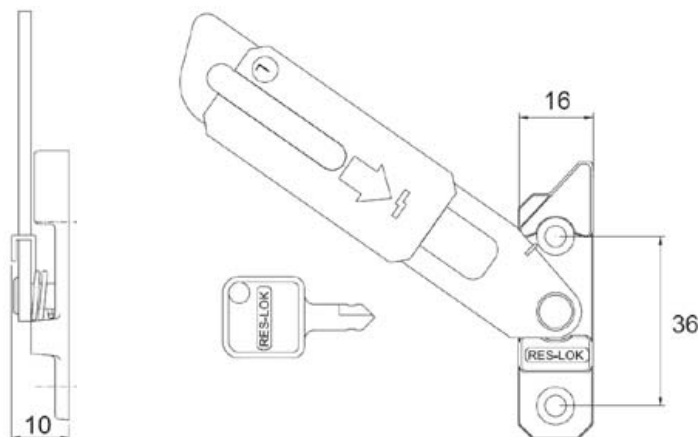
Construction: stainless steel & zinc alloy

Window opening: 100mm

Operation: Automatic locking on opening the window, only releaseable via the key.

Stud lengths: (see page O-1019)

Supplied handed



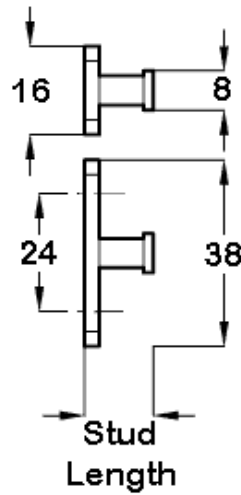
| | | |
|----------------|------|--|
| CI/SfB | | |
| 31/59 | Xt 7 | |
| September 2007 | | |

D&E studs to suit Res-lok concealed fix window restrictor

| | | |
|-------------|-------------|-------------|
| DEJBC425/NF | 11.5mm stud | self colour |
| DEJBC426/NF | 12.5mm stud | self colour |
| DEJBC427/NF | 13.5mm stud | self colour |
| DEJBC428/NF | 14.5mm stud | self colour |

Construction: stainless steel & zinc alloy

To ensure the correct operation of the restrictor, it is important that the correct stud length is used to suit the cavity between the sash and the frame.



| | | |
|----------------|------|--|
| CI/SfB | | |
| 31/59 | Xt 7 | |
| September 2007 | | |



D&E Menova series - telescopic friction stay - standard pattern

The DE1121 & DE1124 standard telescopic friction stays are for use in conjunction with the inward or outward opening window plates (see below). They are specifically designed to hold a window open. Suitable for use on aluminium, timber & PVCu inward & outward opening windows and doors.

Recommended max. opening angle is 90°. Should this angle require to be limited further then the door should be opened to the required angle, the stay fully extended and the fixing holes marked.

| | | |
|--------|--------------------------------------|-------|
| DE1121 | 315 - 515mm telescopic friction stay | SAA |
| DE1124 | 315 - 515mm telescopic friction stay | white |

Construction: body: aluminium with steel rod
 ancillaries: polyamide

Care should be taken to ensure that the bayonet catch is always to the hinge side of the window. Installation of the stay can be either at the top or bottom of the window. On balcony doors the stay is fitted at the top of the door.

After screwing the stay in position and securing the bayonet catch, the required friction can be obtained by turning the adjusting screw.

**No 3 plate
outward opening plate**

DER1159



DER1178



**No 1 plate
inward opening plate**

DER1160



DER1179



D&E Menova series - inward & outward opening plates

The DER1159 & DER1178 plates for outward opening window & the DER1160 & DER1179 plates for inward opening windows are designed for use in conjunction with the D&E Menova telescopic friction stays.

Suitable for use on aluminium, timber & PVCu inward & outward opening windows.

| | | |
|---------|-------------------------------|-------|
| DER1159 | No. 3 plate - outward opening | grey |
| DER1160 | No. 1 plate - inward opening | grey |
| DER1178 | No. 3 plate - outward opening | white |
| DER1179 | No. 1 plate - inward opening | white |

Manufactured from polyamide.



D&E Menova series - telescopic friction stay - short pattern

The DE1122 & DE1125 short pattern telescopic friction stays are for use in conjunction with the inward or outward opening window plates (see below). They are specifically designed to hold a window open. Suitable for use on aluminium, timber & PVCu inward & outward opening windows.

Recommended max. opening angle is 60°. Should this angle require to be limited further then the door should be opened to the required angle, the stay fully extended and the fixing holes marked.

| | | |
|--------|--------------------------------------|-------|
| DE1122 | 200 - 290mm telescopic friction stay | SAA |
| DE1125 | 200 - 290mm telescopic friction stay | white |

Construction: body: aluminium with steel rod
 ancillaries: polyamide

Care should be taken to ensure that the bayonet catch is always to the hinge side of the window. Installation of the stay can be either at the top or bottom of the window.

After screwing the stay in position and securing the bayonet catch, the required friction can be obtained by turning the adjusting screw.

**No 3 plate
outward opening plate**

DER1159



DER1178



**No 1 plate
inward opening plate**

DER1160



DER1179



D&E Menova series - inward & outward opening plates

The DER1159 & DER1178 plates for outward opening window & the DER1160 & DER1179 plates for inward opening windows are designed for use in conjunction with the D&E Menova telescopic friction stays.

Suitable for use on aluminium, timber & PVCu inward & outward opening windows.

| | | |
|---------|-------------------------------|-------|
| DER1159 | No. 3 plate - outward opening | grey |
| DER1160 | No. 1 plate - inward opening | grey |
| DER1178 | No. 3 plate - outward opening | white |
| DER1179 | No. 1 plate - inward opening | white |

Manufactured from polyamide.

| | | |
|----------------|------|--|
| CI/SfB | | |
| 31/59 | Xt 7 | |
| September 2007 | | |



D&E Menova series - telescopic friction stay - child proof pattern

The DE1123 & DE1126 child proof pattern telescopic friction stays are for use in conjunction with the inward or outward opening window plates (see below). They are specifically designed to hold a window open. Suitable for use on aluminium, timber & PVCu inward & outward opening windows.

Installation of the stay should be at the top of the window and situated at the recommended safety height of 1.80m above floor level. To install, the window should be opened to a maximum of 100mm, the stay fully extended and the fixing holes marked.

| | | |
|--------|--------------------------------------|-------|
| DE1123 | 160 - 210mm telescopic friction stay | SAA |
| DE1126 | 160 - 210mm telescopic friction stay | white |

Construction: body: aluminium with steel rod
 ancillaries: polyamide

Care should be taken to ensure that the bayonet catch is always to the hinge side of the window.

After screwing the stay in position and securing the bayonet catch, the required friction can be obtained by turning the adjusting screw.

**No 3 plate
outward opening plate**

DER1159



DER1178



D&E Menova series - inward & outward opening plates

The DER1159 & DER1178 plates for outward opening window & the DER1160 & DER1179 plates for inward opening windows are designed for use in conjunction with the D&E Menova telescopic friction stays.

Suitable for use on aluminium, timber & PVCu inward & outward opening windows.

| | | |
|---------|-------------------------------|------|
| DER1159 | No. 3 plate - outward opening | grey |
| DER1160 | No. 1 plate - inward opening | grey |

| | | |
|---------|-------------------------------|-------|
| DER1178 | No. 3 plate - outward opening | white |
| DER1179 | No. 1 plate - inward opening | white |

**No 1 plate
inward opening plate**

DER1160



DER1179



Manufactured from polyamide.

| | | |
|----------------|------|--|
| CI/SfB | | |
| 31/59 | Xt 7 | |
| September 2007 | | |



D&E face fix window restrictor - tilt & turn

The DEJBC414 restrictor when used in conjunction with the DEJBC412 stud with narrow plate, is a self engaging face fix window restrictor designed to limit the opening of a tilt & turn window to 100mm. Suitable for use on aluminium, timber & PVCu.

Surface mounted for quick and easy installation.

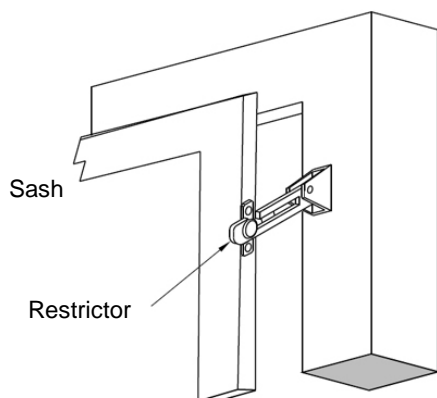
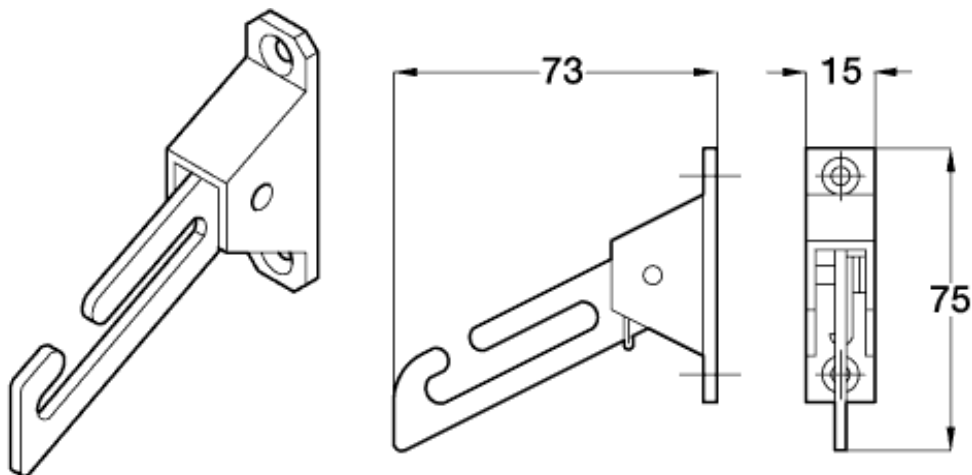
This product ensures **duty of care** for the restricting the opening of windows on the first floor and above. Conforms to BS6375 Part 2:1987.

DEJBC414/WT face fix restrictor for tilt & turn windows white

Construction: stainless steel & zinc alloy

Operation: self engaging, when the window is opened restricts the turn position

Stud lengths: (see page O-1024)

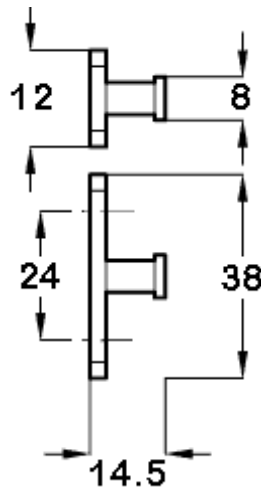


| | | |
|----------------|-------|------|
| CI/SfB | 31/59 | Xt 7 |
| September 2007 | | |

D&E stud to suit face fix window restrictor on tilt & turn windows

DEJBC412/WT 14.5mm stud white

Construction: stainless steel & zinc alloy



| | | |
|----------------|------|--|
| CI/SfB | | |
| 31/59 | Xt 7 | |
| September 2007 | | |



D&E face fix window restrictor - pivot windows

The DEJBC414 restrictor when used in conjunction with the DEJBC415 angle plate stud with narrow plate, is a self engaging face fix window restrictor designed to limit the opening of a tilt & turn window to 100mm. Suitable for use on aluminium, timber & PVCu.

Surface mounted for quick and easy installation.

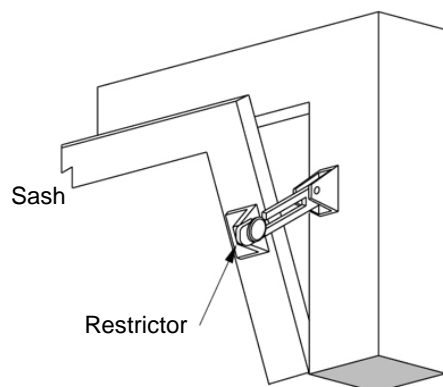
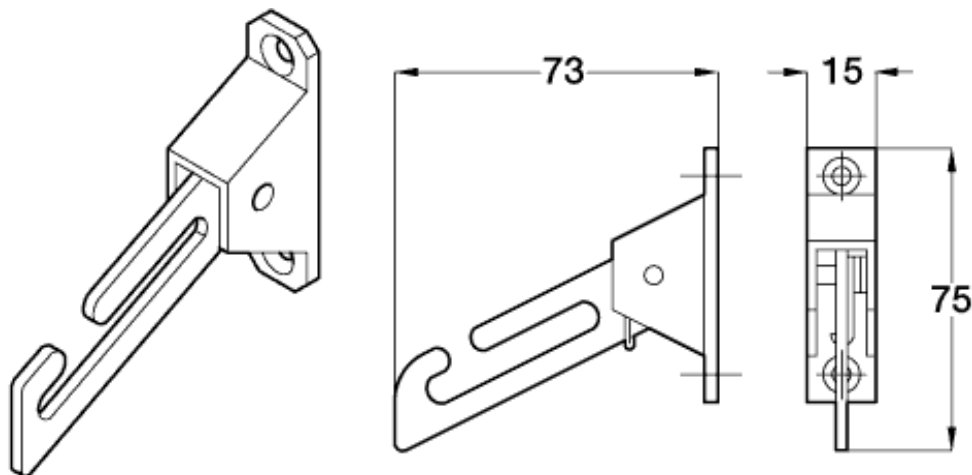
This product ensures **duty of care** for the restricting the opening of windows on the first floor and above. Conforms to BS6375 Part 2:1987.

DEJBC414/WT face fix restrictor for pivot windows white

Construction: stainless steel & zinc alloy

Operation: self engaging, when the window is opened suitable for use on horizontal or vertical pivots

Stud lengths: (see page O-1026)

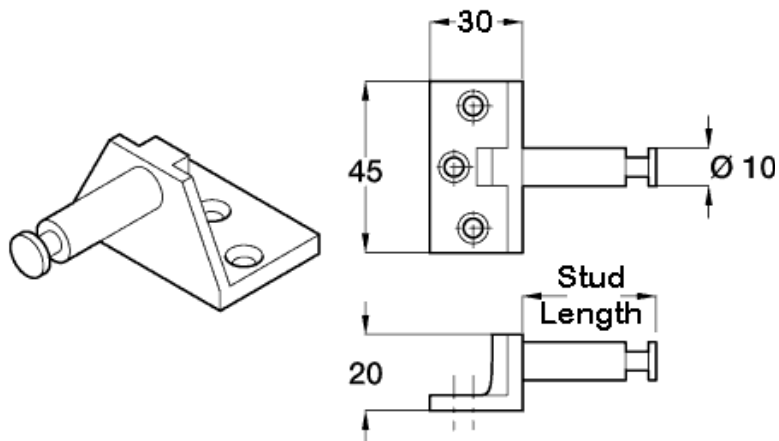


| | | |
|----------------|-------|------|
| CI/SfB | 31/59 | Xt 7 |
| September 2007 | | |

D&E stud to suit face fix window restrictor on pivot windows

DEJBC415/27/WT 27mm offset stud white
DEJBC415/36/WT 36mm offset stud white

Construction: stainless steel & zinc alloy



| | | |
|----------------|------|--|
| CI/SfB | | |
| 31/59 | Xt 7 | |
| September 2007 | | |



D&E face fix reverse stop window restrictor - pivot windows

The DEJBC416 reverse stop when used in conjunction with the DEJBC415 stud with angled plate, is a self engaging face fix reverse stop window restrictor designed to limit the opening of a pivot window to 100mm. Suitable for use on aluminium, timber & PVCu.

Surface mounted for quick and easy installation.

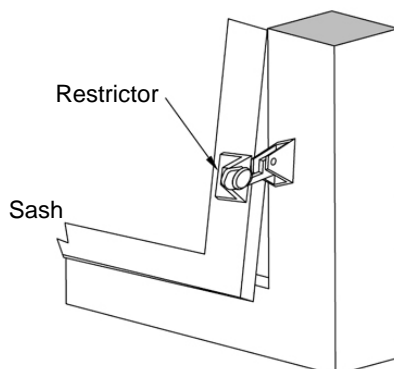
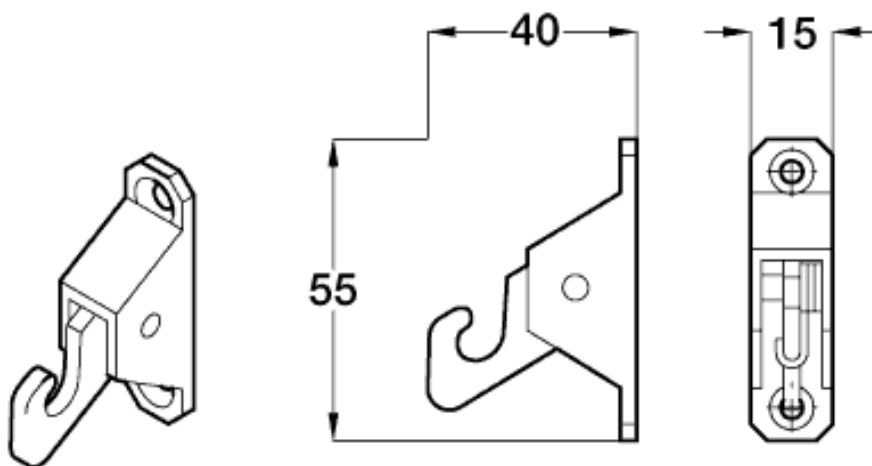
This product ensures **duty of care** for the restricting the opening of windows on the first floor and above. Conforms to BS6375 Part 2:1987.

DEJBC416/WT face fix reverse stop for pivot windows white

Construction: stainless steel & zinc alloy

Operation: self engaging, when the window is opened suitable for use on horizontal or vertical pivots

Stud lengths: (see page O-1028)

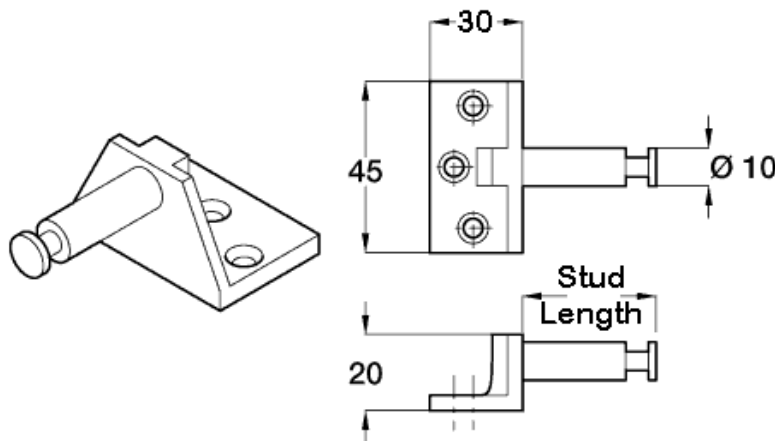


| | | |
|----------------|-------|------|
| CI/SfB | 31/59 | Xt 7 |
| September 2007 | | |

D&E stud to suit reverse stop window restrictor on pivot windows

DEJBC415/27/WT 27mm offset stud white
DEJBC415/36/WT 36mm offset stud white

Construction: stainless steel & zinc alloy



| | | |
|----------------|------|--|
| CI/SfB | | |
| 31/59 | Xt 7 | |
| September 2007 | | |



D&E face fix window restrictor - casement windows

The DEJBC414 restrictor when used in conjunction with the DEJBC412 stud with narrow plate, is a self engaging face fix window restrictor designed to limit the opening of side hung or top hung window to 100mm. Suitable for use on timber, aluminium & PVCu casement windows.

Surface mounted for quick and easy installation.

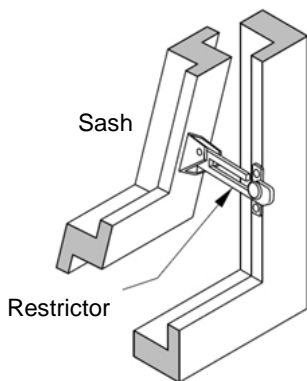
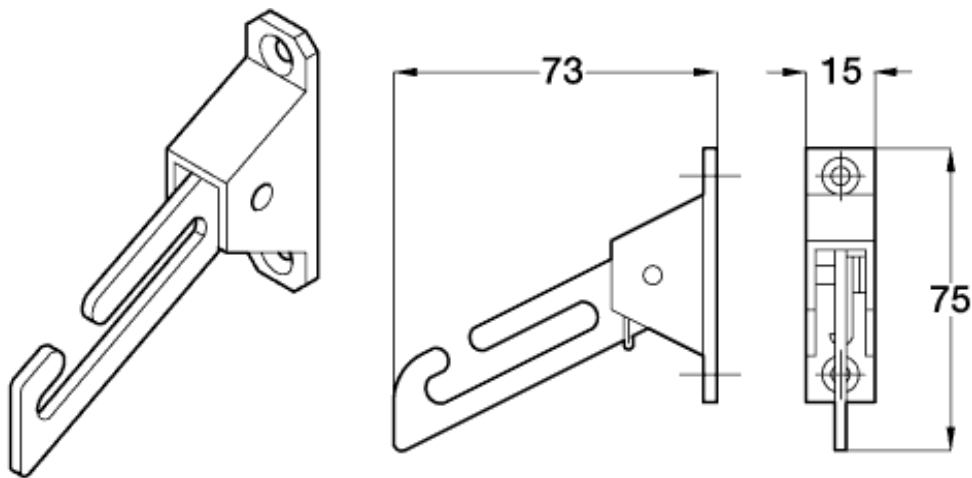
This product ensures **duty of care** for the restricting the opening of windows on the first floor and above. Conforms to BS6375 Part 2:1987.

DEJBC414/WT face fix restrictor for casement windows white

Construction: stainless steel & zinc alloy

Operation: self engaging when the window is opened

Stud length: (see page O-1030)

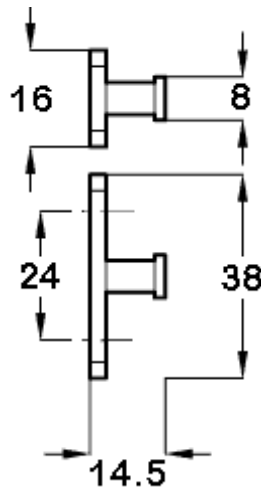


| | | |
|----------------|-------|------|
| CI/SfB | 31/59 | Xt 7 |
| September 2007 | | |

D&E stud to suit face fix window restrictor - casement windows

DEJBC412/WT 14.5mm stud white

Construction: stainless steel & zinc alloy



| | | |
|----------------|------|--|
| CI/SfB | | |
| 31/59 | Xt 7 | |
| September 2007 | | |



D&E concealed fix window restrictor

The DEJBC413 is a concealed fix window restrictor designed to limit the opening of a window to 100mm. Suitable for use on aluminium, timber & PVCu outward opening side hung & top hung.

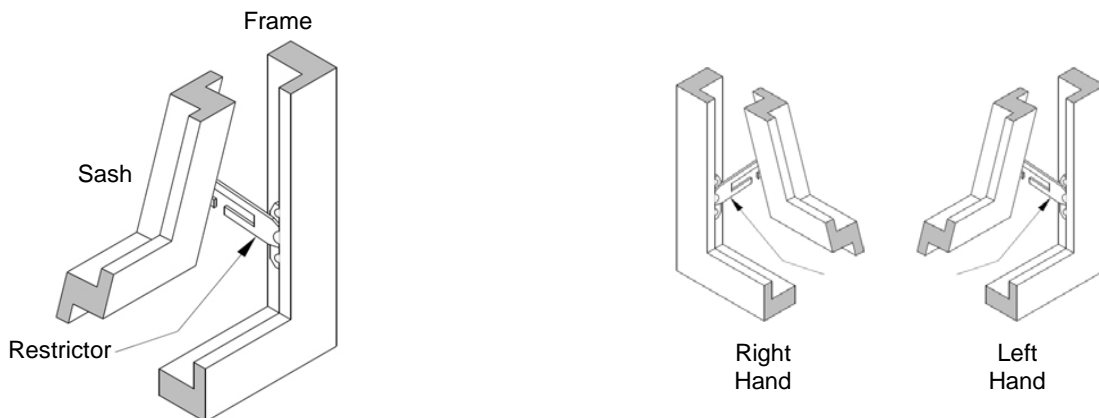
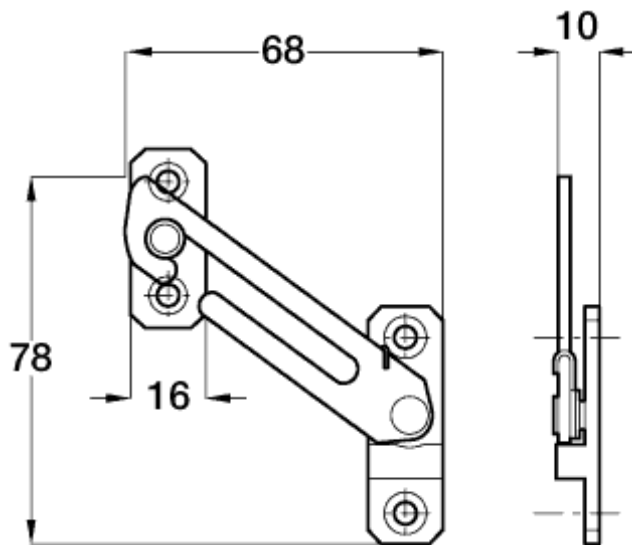
Euro groove or surface mounted for quick and easy installation.

This product ensures **duty of care** for the restricting the opening of windows on the first floor and above. Conforms to BS6375 Part 2:1987.

DEJBC413/LH/NF concealed fix window restrictor - LH self colour
 DEJBC413/RH/NF concealed fix window restrictor - RH self colour

Operation: self engaging when the window is opened

Stud lengths: (see page O-1032)

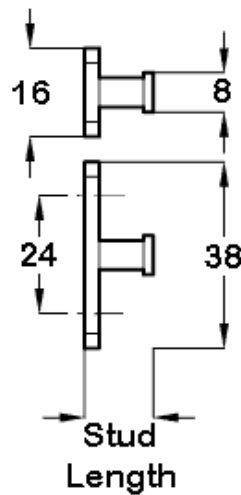


D&E stud to suit concealed fix window restrictor

| | | |
|-------------|-------------|-------------|
| DEJBC423/NF | 9.5mm stud | self colour |
| DEJBC424/NF | 10.5mm stud | self colour |
| DEJBC425/NF | 11.5mm stud | self colour |
| DEJBC426/NF | 12.5mm stud | self colour |
| DEJBC427/NF | 13.5mm stud | self colour |
| DEJBC428/NF | 14.5mm stud | self colour |

Construction: stainless steel & zinc alloy

To ensure the correct operation of the restrictor, it is important that the correct stud length is used to suit the cavity between the sash and the frame.



| | | |
|----------------|------|--|
| CI/SfB | | |
| 31/59 | Xt 7 | |
| September 2007 | | |

D&E concealed fix window restrictor - long arm



The DEJBC417 is a concealed fix long arm window restrictor designed to limit the opening of a window to 100mm. Suitable for use on aluminium, timber & PVCu outward opening side hung & top hung.

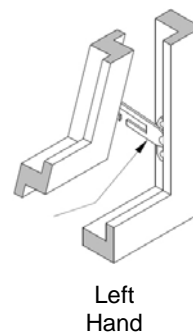
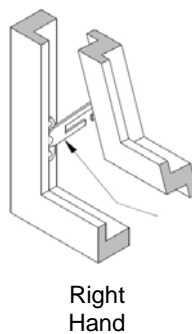
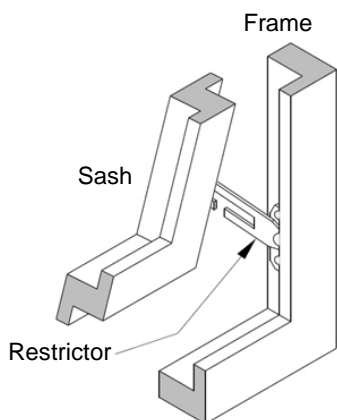
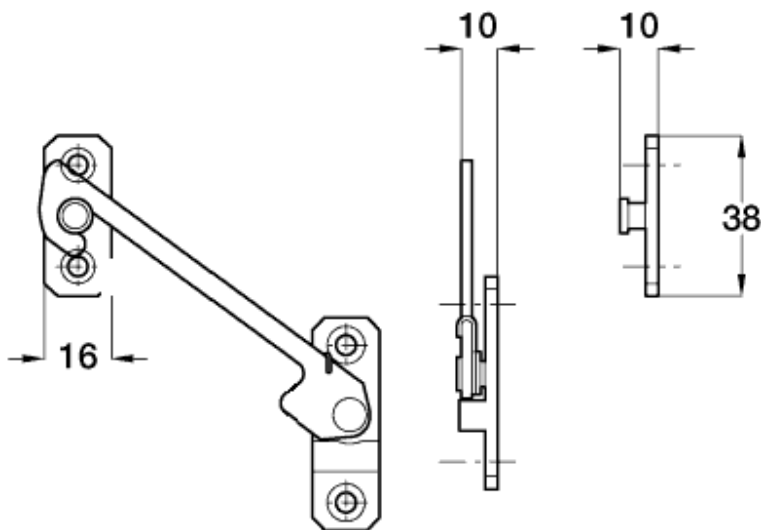
Euro groove or surface mounted for quick and easy installation.

This product ensures **duty of care** for the restricting the opening of windows on the first floor and above. Conforms to BS6375 Part 2:1987.

DEJBC417/LH/NF concealed fix window restrictor - LH self colour
 DEJBC417/RH/NF concealed fix window restrictor - RH self colour

Operation: self engaging when the window is opened

Stud lengths: (see page O-1034)



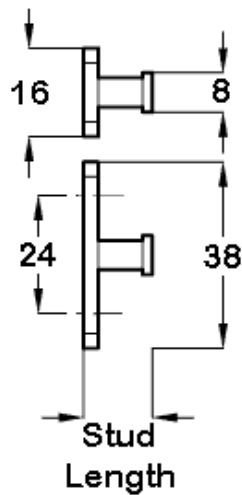
| | | |
|----------------|-------|------|
| CI/SfB | 31/59 | Xt 7 |
| September 2007 | | |

D&E stud to suit concealed fix window restrictor

| | | |
|-------------|-------------|-------------|
| DEJBC423/NF | 9.5mm stud | self colour |
| DEJBC424/NF | 10.5mm stud | self colour |
| DEJBC425/NF | 11.5mm stud | self colour |
| DEJBC426/NF | 12.5mm stud | self colour |
| DEJBC427/NF | 13.5mm stud | self colour |
| DEJBC428/NF | 14.5mm stud | self colour |

Construction: stainless steel & zinc alloy

To ensure the correct operation of the restrictor, it is important that the correct stud length is used to suit the cavity between the sash and the frame.



| | | |
|----------------|------|--|
| CI/SfB | | |
| 31/59 | Xt 7 | |
| September 2007 | | |

D&E mortice budget lock

Designed for use to secure hidden wall panels. Also suitable for use in small fanlights and windows where an espagnolette is too long.



| | | |
|------------------|---------------------|--------------------|
| <i>DEF500/25</i> | mortice budget lock | yellow bi-chromate |
| Backset: | 25mm | |
| Forend: | 134 x 16mm | |
| Case: | 85 x 36mm | |
| Follower: | 7mm | |
| Fixing centres: | 43mm | |

D&E square key

Designed to suit spindle hole / follower sizes 6.5mm - 7.5mm

| | | |
|--------------|------------------------|--------------------|
| <i>DE784</i> | budget lock square key | electro galvanised |
|--------------|------------------------|--------------------|

D&E rim budget lock

Designed to suit small fanlights and windows where an espagnolette is too long.



| | | |
|-----------------|-----------------|------------|
| <i>DE23G</i> | rim budget lock | galvanised |
| Throw: | 20mm | |
| Plate: | 126 x 27mm | |
| Depth: | 15mm | |
| Follower: | 8mm | |
| Fixing centres: | 101mm | |

D&E square key

Designed to suit spindle hole / follower sizes 6.5mm - 7.5mm

| | | |
|--------------|------------------------|--------------------|
| <i>DE23A</i> | budget lock square key | electro galvanised |
|--------------|------------------------|--------------------|

| | | |
|----------------|-------|------|
| CI/SfB | 31/59 | Xt 7 |
| September 2007 | | |

D&E rim budget lock

Designed to suit small fanlights and windows where an espagnolette is too long.



DE23P rim budget lock galvanised

Throw: 15mm
Plate: 101 x 18mm
Depth: 12mm
Follower: 8mm
Fixing centres: 82mm

D&E square key

Designed to suit spindle hole / follower sizes 6.5mm - 7.5mm

DE23A budget lock square key electro galvanised

| | | |
|----------------|------|--|
| CI/SfB | | |
| 31/59 | Xt 7 | |
| September 2007 | | |

D&E high security door & window lock



The D&E *DE3050PL* is a high security secondary door / window lock. Suitable for use on timber, PVCu and aluminium inward opening doors, sliding doors and single & double leaf windows.

Supplied with a range of spacers to enable easy installation on over rebates.

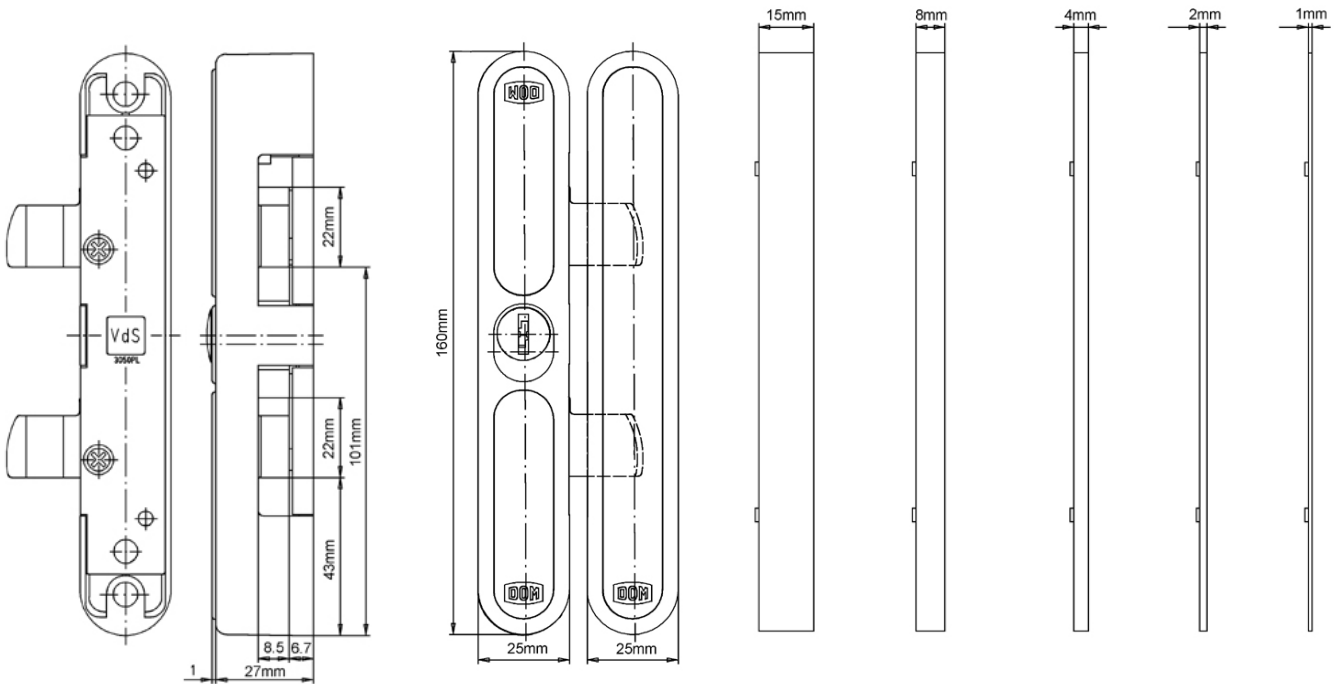
DE3050PL/WT D&E high security window & door lock white

Dimensions: see line drawing below

Spacer plate: see line drawing below

Supplied complete with 2 keys

Installation is via fixing screws - supplied





D&E window lock

The D&E *DEJBC350* & *DEJBC351* sliding sash window locks are medium & high security secondary window locks. Suitable for use on timber, PVCu and aluminium. Combining highly effective locking and compression of traditional sliding doors and single & double leaf windows.

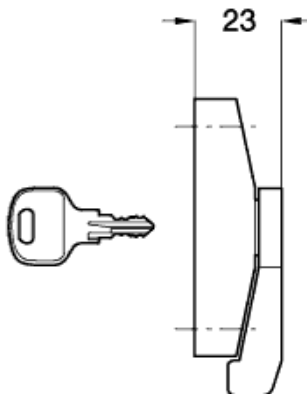
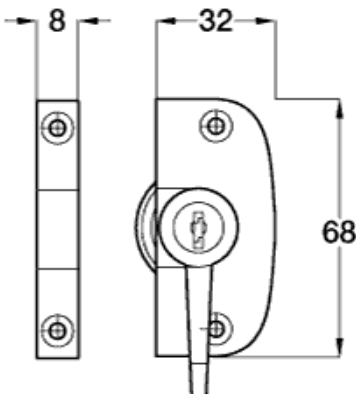
Supplied with a range of spacers to enable easy installation on over rebates.

| | | |
|--------------------|----------------------------------|--------------------|
| <i>DEJBC350/WT</i> | sliding sash window lock | white |
| <i>DEJBC350/PC</i> | sliding sash window lock | pol. chrome plated |
| <i>DEJBC350/PG</i> | sliding sash window lock | pol. gold plated |
| <i>DEJBC351/WT</i> | locking sliding sash window lock | white |
| <i>DEJBC351/PC</i> | locking sliding sash window lock | pol. chrome plated |
| <i>DEJBC351/PG</i> | locking sliding sash window lock | pol. gold plated |

Dimensions: see line drawings below

Supplied complete with 1 key

Installation is via fixing screws



D&E keep plates to suit *DEJBC350* & *DEJBC351* window locks

Suitable for use on timber and Halo, Deceuninck & Veka PVCu profiles:

| | | |
|--------------------|--------------------------|--------------------|
| <i>DEJBC354/WT</i> | 11.5mm flat diecast keep | white |
| <i>DEJBC354/PC</i> | 11.5mm flat diecast keep | pol. chrome plated |
| <i>DEJBC354/PG</i> | 11.5mm flat diecast keep | pol. gold plated |

Suitable for use on timber and Spectus, Rehau PVCu profiles:

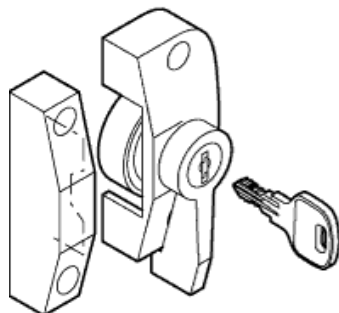
| | | |
|--------------------|-------------------------|--------------------|
| <i>DEJBC355/WT</i> | 8.5mm flat diecast keep | white |
| <i>DEJBC355/PC</i> | 8.5mm flat diecast keep | pol. chrome plated |
| <i>DEJBC355/PG</i> | 8.5mm flat diecast keep | pol. gold plated |

Suitable for use on timber and LB plastics - Sheerframe PVCu profile:

| | | |
|--------------------|----------------------|--------------------|
| <i>DEJBC353/WT</i> | Flat night vent keep | white |
| <i>DEJBC353/PC</i> | Flat night vent keep | pol. chrome plated |
| <i>DEJBC353/PG</i> | Flat night vent keep | pol. gold plated |

Suitable for use on timber and LB plastics - Sheerframe PVCu profile:

| | | |
|--------------------|-----------|--------------------|
| <i>DEJBC311/WT</i> | Flat keep | white |
| <i>DEJBC311/PC</i> | Flat keep | pol. chrome plated |
| <i>DEJBC311/PG</i> | Flat keep | pol. gold plated |



| | | |
|----------------|------|--|
| CI/SfB | | |
| 31/59 | Xt 7 | |
| September 2007 | | |



D&E door / window jammer

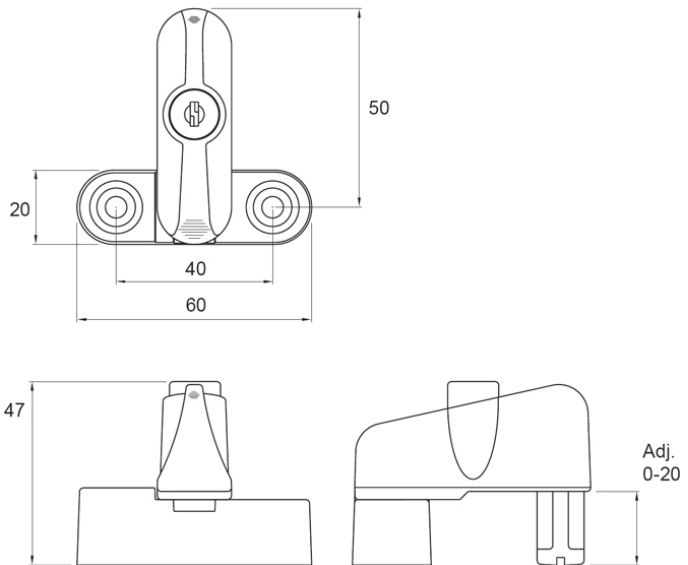
The D&E DEJBC370 door & window lock series are designed to prevent the door or window from being jemmied open from the outside. Suitable for use on timber, PVCu and aluminium.

- DEJBC370/WT door / window jammer white
- DEJBC370/PG door / window jammer pol. gold finish

Dimensions: see line drawings below

Supplied complete with 1 key

Installation is via fixing screws



| | | |
|----------------|-------|------|
| CI/SfB | 31/59 | Xt 7 |
| September 2007 | | |



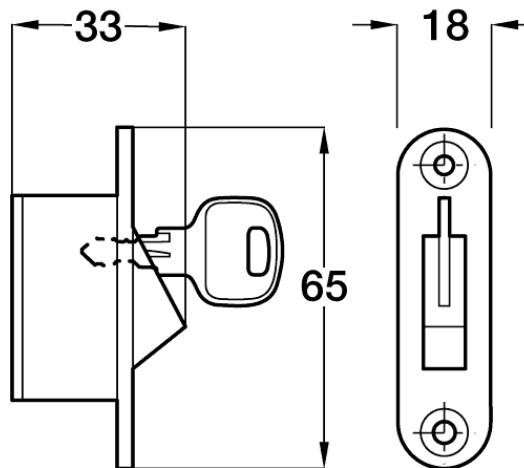
D&E sash stop

The D&E *DEJBC356* sash stop are designed to prevent the window from being opened more than 100mm. Suitable for use on timber, PVCu and aluminium.

- DEJBC356/WT* locking sash stop white
- DEJBC356/BN* locking sash stop brown

Supplied complete with 1 key

Installation is via fixing screws



D&E airlock



The D&E *airlock* is designed for limiting / restricting the opening of a door or window. Suitable for use on aluminium, timber & PVCu French and over rebated doors and most inward & outward opening windows.

The push button or key operated versions allow complete control over the amount of opening you require and ensures **duty of care** for the restricting the opening of windows on the first floor and above.

Manufactured from zamac and steel.

Installation is via fixing screws (*supplied as standard*)

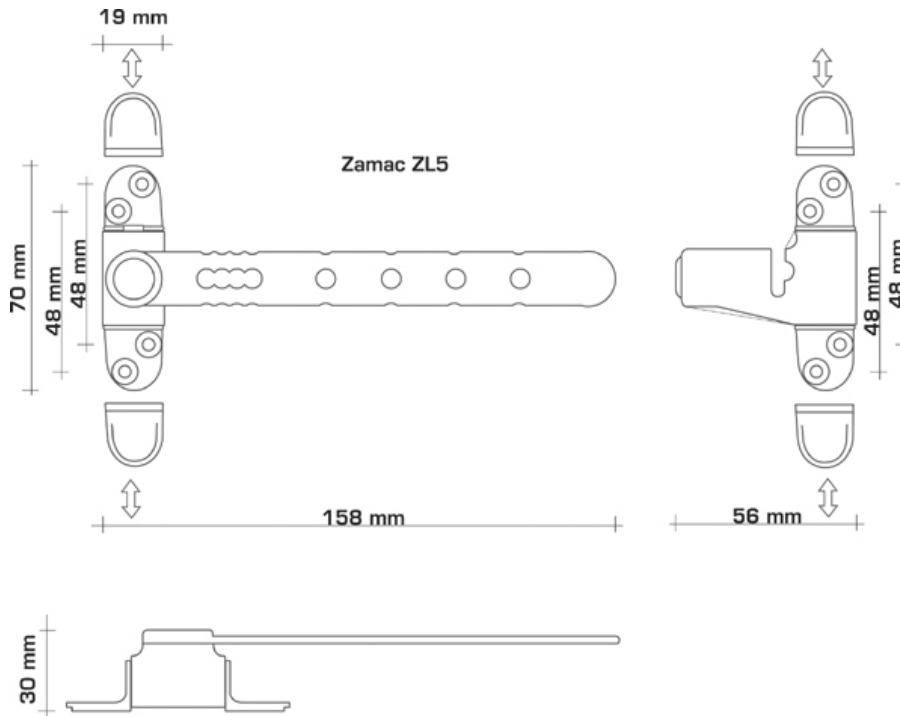
Push button version:

| | | |
|--------------|----------------------------------|--------------------|
| DESOL1 / PC | airlock door / window restrictor | pol. chrome finish |
| DESOL2 / PGL | airlock door / window restrictor | pol. gold finish |
| DESOL4 / SC | airlock door / window restrictor | sat. chrome finish |
| DESOL6 / WT | airlock door / window restrictor | white |



Key operated version:

| | | |
|-------------|----------------------------------|--------------------|
| DESOL1C/PC | airlock door / window restrictor | pol. chrome finish |
| DESOL2C/PGL | airlock door / window restrictor | pol. gold finish |
| DESOL4C/SC | airlock door / window restrictor | sat. chrome finish |
| DESOL6C/WT | airlock door / window restrictor | white |



| | | |
|----------------|------|--|
| CI/SfB | | |
| 31/59 | Xt 7 | |
| September 2007 | | |

D&E airbaie

The D&E *airbaie* is designed for restricting the opening on sliding doors or windows. Available in locking and non-locking models. The airbaie is designed to address the requirements of '**duty of care**' when restricting the opening of doors or windows.



Manufactured from zamac.

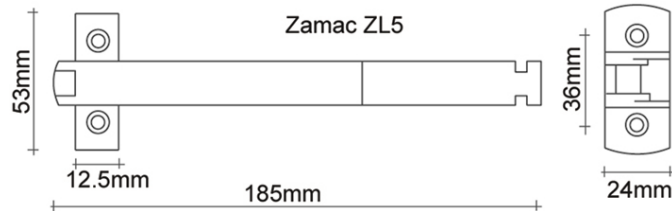
Installation is via fixing screws (*supplied as standard*)

Non-locking version:

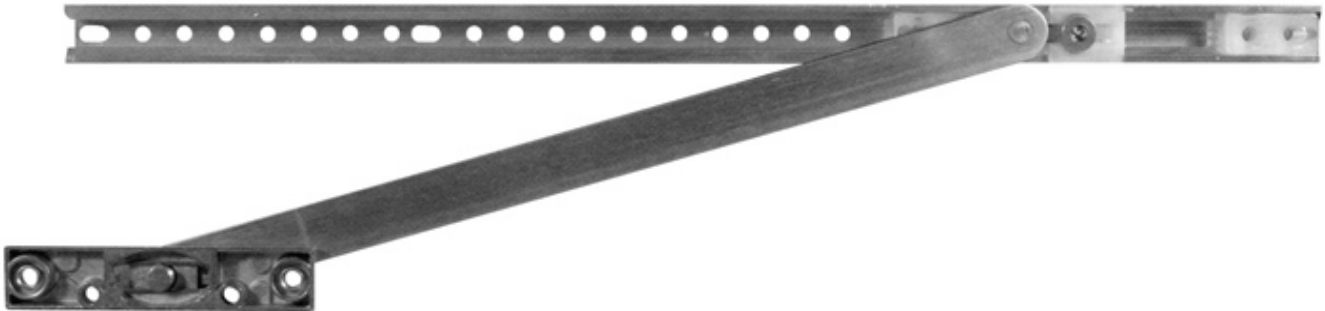
| | | |
|--------------|----------------------------------|---------------|
| DES0B1 / SI | sliding door / window restrictor | silver |
| DES0B2 / WT | sliding door / window restrictor | white |
| DES0B3 / BK | sliding door / window restrictor | black |
| DES0B4 / BZL | sliding door / window restrictor | bronze finish |

Locking version:

| | | |
|---------------|----------------------------------|---------------|
| DES0B1C / SI | sliding door / window restrictor | silver |
| DES0B2C / WT | sliding door / window restrictor | white |
| DES0B3C / BK | sliding door / window restrictor | black |
| DES0B4C / BZL | sliding door / window restrictor | bronze finish |



| | | |
|----------------|------|--|
| CI/SfB | | |
| 31/59 | Xt 7 | |
| September 2007 | | |



D&E door limiter

The *D&E door limiter* is designed for limiting / restricting the opening of a door or window. Suitable for use on timber & PVCu , French and over rebated doors and most inward & outward opening doors or windows.

Manufactured with an aluminium slide, stainless steel arm and a die cast frame plate, this restrictor is designed to fit into the euro-groove with 12mm air gap.

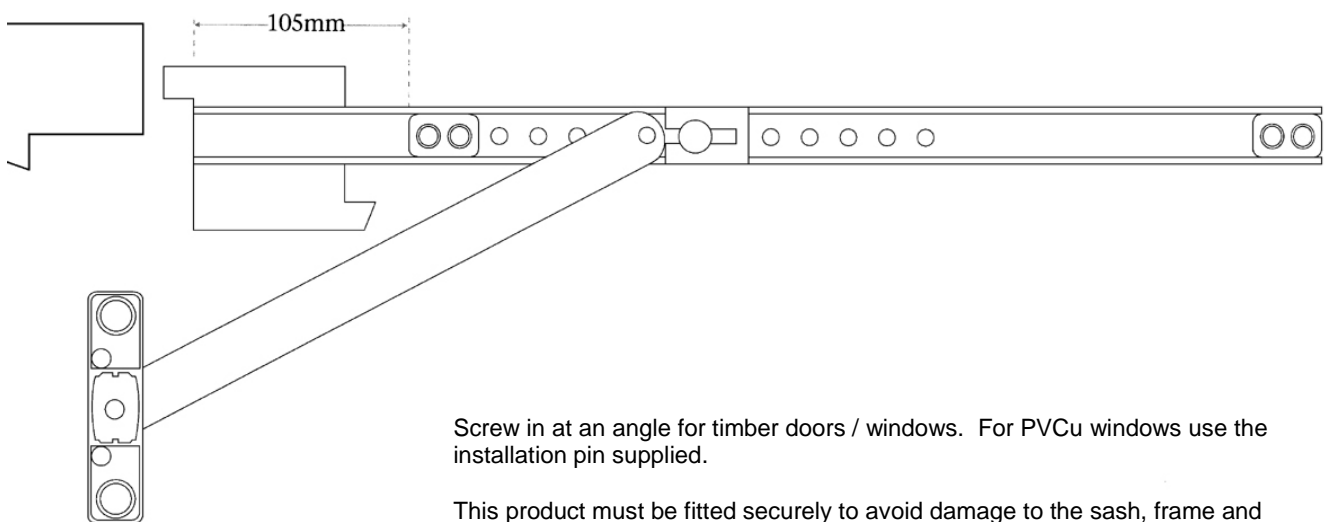
DEWF6303 door limiter natural finishes

Manufactured from: slide aluminium
arm stainless steel
frame plate die cast steel

Dimensions: slide channel: 330 x 16mm
arm: 257 x 16mm
frame plate: 76 x 16mm

Supplied non-handed

Installation is via fixing screws (*not supplied*)



Screw in at an angle for timber doors / windows. For PVCu windows use the installation pin supplied.

This product must be fitted securely to avoid damage to the sash, frame and hinges.

| | | |
|----------------|-------|------|
| CI/SfB | 31/59 | Xt 7 |
| September 2007 | | |

Look through the viewer from up to 2 metres away



D&E 3850 ultrascope - The DDA door viewer.

This unique design of security door viewer allows a clear, wide angled view of the outside world whilst standing up to 2 metres away from the door. With this in mind, this product is highly recommended for use by the elderly, infirm or wheelchair bound.

Easy screw together installation.

Intumescent sleeve available for use on 30 minute fire doors - contact the sales team for details.

| | | | |
|-----------|----------------------------|-----------|--------|
| DE3850/BK | D&E Ultrascope door viewer | 44 - 50mm | black |
| DE3850/BZ | D&E Ultrascope door viewer | 44 - 50mm | bronze |
| DE3850/GD | D&E Ultrascope door viewer | 44 - 50mm | gold |
| DE3850/SI | D&E Ultrascope door viewer | 44 - 50mm | silver |
| DE3850/WT | D&E Ultrascope door viewer | 44 - 50mm | white |

| | |
|----------------|----------------|
| Viewing angle: | 160° |
| Hole diameter: | 38mm |
| Body: | Plastic / ABS |
| Packaging: | each / 100 pcs |





D&E 'Bullet proof' door viewer with interior privacy cover.

| | | | |
|----------|--------------------------|-----------|--------------------|
| DEABLMNP | bullet proof door viewer | 65 - 95mm | matt nickel plated |
| DEABLPB | bullet proof door viewer | 65 - 95mm | pol. brass |
| DEABLNP | bullet proof door viewer | 65 - 95mm | nickel plated |

Viewing angle: 200°

Body diameter: 25mm

Packaging: each / 40 pcs



D&E 'Great Eye' door viewer with glass lens and privacy cover

| | | | |
|-----------|-------------------------|------------|--------------------|
| DEGEN/MNP | 'Great Eye' door viewer | 75 - 150mm | matt nickel plated |
| DEGEN/PB | 'Great Eye' door viewer | 75 - 150mm | pol. brass |
| DEGEN/NP | 'Great Eye' door viewer | 75 - 150mm | nickel plated |

Viewing angle: 200°

Body diameter: 23mm

Packaging: each / 25 pcs



| | | |
|----------------|------|--|
| CI/SfB | | |
| 31/59 | Xt 7 | |
| September 2007 | | |

D&E 'Big Eye' door viewers with glass lens & interior privacy cover.



| | | | |
|----------|-----------------------|-----------|--------------------|
| DEBENMNP | 'Big Eye' door viewer | 35 - 60mm | matt nickel plated |
| DEBENPB | 'Big Eye' door viewer | 35 - 60mm | pol. brass |
| DEBENNP | 'Big Eye' door viewer | 35 - 60mm | nickel plated |

Viewing angle: 200°

Body diameter: 22mm

Intumescent sleeve available for use on 30 minute fire doors - contact the sales team for details.

Non standard sizes are available to order - subject to quantity.

Packaging: each / 40 pcs



D&E 'Big Eye 2' door viewers with glass lens & interior privacy cover.



| | | | |
|----------|-------------------------|-----------|--------------------|
| DEBELMNP | 'Big Eye 2' door viewer | 60 - 85mm | matt nickel plated |
| DEBELPB | 'Big Eye 2' door viewer | 60 - 85mm | pol. brass |
| DEBELNP | 'Big Eye 2' door viewer | 60 - 85mm | nickel plated |

Viewing angle: 200°

Body diameter: 22mm

Intumescent sleeve available for use on 30 minute fire doors - contact the sales team for details.

Non standard sizes are available to order - subject to quantity.

Packaging: each / 40 pcs



| | | |
|----------------|------|--|
| CI/SfB | | |
| 31/59 | Xt 7 | |
| September 2007 | | |

D&E door viewers with glass lens with interior privacy cover.



| | | | |
|------------------|----------------------|-----------|--------------------|
| <i>DESWLMNP</i> | D&E door viewer | 40 - 55mm | matt nickel plated |
| <i>DESWLPB</i> | D&E door viewer | 40 - 55mm | pol. brass |
| <i>DESWLNP</i> | D&E door viewer | 40 - 55mm | nickel plated |
| <i>DESWLEX14</i> | 10mm extension piece | | |
| <i>DESWLEMNP</i> | D&E door viewer | 50 - 80mm | matt nickel plated |
| <i>DESWLEPB</i> | D&E door viewer | 50 - 80mm | pol. brass |
| <i>DESWLENP</i> | D&E door viewer | 50 - 80mm | nickel plated |
| <i>DESWLEX14</i> | 10mm extension piece | | |

Viewing angle: 200°

Body diameter: 14mm

Intumescent sleeve available for use on 30 minute fire doors - contact the sales team for details.

Non standard sizes are available to order - subject to quantity.

Packaging: each / 40 pcs

D&E 'Fire Rated' door viewers with glass lens with interior privacy cover.



| | | | |
|-----------------------|--------------------------|-----------|--------------------|
| <i>DESWLAFMNP</i> | D&E door viewer - 30 min | 35 - 55mm | matt nickel plated |
| <i>DESWLAFPB</i> | D&E door viewer - 30 min | 35 - 55mm | pol. brass |
| <i>DESWLAFNP</i> | D&E door viewer - 30 min | 35 - 55mm | nickel plated |
| <i>DESWLEAF/MNP</i> | D&E door viewer - 30 min | 50 - 70mm | matt nickel plated |
| <i>DESWLEAF/PB</i> | D&E door viewer - 30 min | 50 - 70mm | pol. brass |
| <i>DESWLEAF/NP</i> | D&E door viewer - 30 min | 50 - 70mm | nickel plated |
| <i>DESWLF/MNP/1HR</i> | D&E door viewer - 60 min | 50 - 70mm | matt nickel plated |
| <i>DESWLF/PB/1HR</i> | D&E door viewer - 60 min | 50 - 70mm | pol. brass |
| <i>DESWLF/NP/1HR</i> | D&E door viewer - 60 min | 50 - 70mm | nickel plated |

Viewing angle: 200°

Body diameter: 14mm

Non standard sizes are available to order - subject to quantity.

Packaging: each / 40 pcs



D&E 'fire rated' door viewers - 170° & 200°

| | | |
|----------------|------|--|
| CI/SfB | | |
| 31/59 | Xt 7 | |
| September 2007 | | |



D&E door viewers with glass lens with interior privacy cover.

| | | | |
|------------|-------------|-----------|--------------------|
| DESOJL1/PC | door viewer | 25 - 63mm | pol. chrome plated |
| DESOJL2/PG | door viewer | 25 - 63mm | pol. gold plated |

Viewing angle: 170°

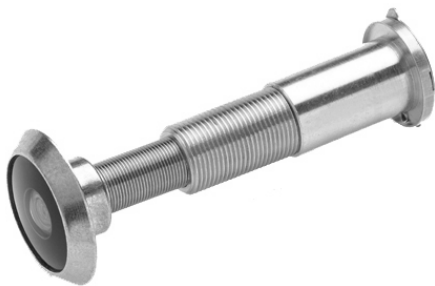
Body diameter: 14mm

| | | | |
|------------|-------------|-----------|--------------------|
| DESOJL3/PC | door viewer | 25 - 63mm | pol. chrome plated |
| DESOJL4/PG | door viewer | 25 - 63mm | pol. gold plated |

Viewing angle: 200°

Body diameter: 14mm

Packaging: each / 100 pcs



D&E 'Fire Rated' door viewers with glass lens with interior privacy cover.

| | | | |
|-------------|----------------------|-----------|--------------------|
| DESOJLF1/PC | door viewer - 60mins | 25 - 63mm | pol. chrome plated |
| DESOJLF2/PG | door viewer - 60mins | 25 - 63mm | pol. gold plated |

Viewing angle: 170°

Body diameter: 14mm



| | | | |
|-------------|----------------------|-----------|--------------------|
| DESOJLF3/PC | door viewer - 60mins | 25 - 63mm | pol. chrome plated |
| DESOJLF4/PG | door viewer - 60mins | 25 - 63mm | pol. gold plated |

Viewing angle: 200°

Body diameter: 14mm



Packaging: each / 100 pcs

| | | |
|----------------|------|--|
| CI/SfB | | |
| 31/59 | Xt 7 | |
| September 2007 | | |

D&E door viewers with glass lens & interior privacy cover.



| | | | |
|----------|----------------------|-----------|--------------------|
| DEJCMNP | D&E door viewer | 20 - 35mm | matt nickel plated |
| DEJCPB | D&E door viewer | 20 - 35mm | pol. brass |
| DEJCNP | D&E door viewer | 20 - 35mm | nickel plated |
| DEC2EX12 | 10mm extension piece | | |

Viewing angle: 170°

Body diameter: 12mm

Non standard sizes are available to order - subject to quantity.

Packaging: each / 40 pcs

D&E door viewers with glass lens & interior privacy cover.



| | | | |
|----------|----------------------|-----------|--------------------|
| DEC2MNP | D&E door viewer | 35 - 55mm | matt nickel plated |
| DEC2PB | D&E door viewer | 35 - 55mm | pol. brass |
| DEC2NP | D&E door viewer | 35 - 55mm | nickel plated |
| DEC2EX12 | 10mm extension piece | | |

Viewing angle: 170°

Body diameter: 12mm

Intumescent sleeve available for use on 30 minute fire doors - contact the sales team for details.

Suitable for use with D&E door knockers - see door furniture section of this catalogue

Non standard sizes are available to order - subject to quantity.

Packaging: each / 40 pcs

| | | |
|----------------|------|--|
| CI/SfB | | |
| 31/59 | Xt 7 | |
| September 2007 | | |

D&E door viewers with glass lens & interior privacy cover.



| | | | |
|-----------|----------------------|-----------|--------------------|
| DECVC/MNP | D&E door viewer | 20 - 35mm | matt nickel plated |
| DECVC/PB | D&E door viewer | 20 - 35mm | pol. brass |
| DECVC/NP | D&E door viewer | 20 - 35mm | nickel plated |
| DEC2EX12 | 10mm extension piece | | |

Viewing angle: 200°

Body diameter: 12mm

Non standard sizes are available to order - subject to quantity.

Packaging: 100 pcs

D&E contract aluminium door viewers with glass lens & interior privacy cover.



| | | | |
|-----------|-----------------|-----------|-------------------|
| DEGLV/PBP | D&E door viewer | 35 - 55mm | pol. brass plated |
| DEGLV/NP | D&E door viewer | 35 - 55mm | nickel plated |

Viewing angle: 180°

Body diameter: 14mm

Intumescent sleeve available for use on 30 minute fire doors - contact the sales team for details.

Non standard sizes are available to order - subject to quantity.

Packaging: 100 pcs

D&E door viewers with decorative interior privacy cover.

The body is manufactured from ABS with a methacrylate lens.

Interior privacy cover is supplied with 1 x pol. chrome plated (PC), 1 x pol. gold plated (PGP) and 1 x antique bronze (ABZ) inserts - where applicable.



| | | | |
|------------------|-----------------|-----------|---|
| <i>DESOJ1/BK</i> | D&E door viewer | 23 - 65mm | black |
| <i>DESOJ2/BK</i> | D&E door viewer | 23 - 65mm | black complete with PC / PB / ABZ cover inserts |

Viewing angle: 170°

Body diameter: 12mm

Packaging: each / 10 pcs

| | | | |
|------------------|-----------------|------------|---|
| <i>DESOJ4/BK</i> | D&E door viewer | 23 - 102mm | black |
| <i>DESOJ5/BK</i> | D&E door viewer | 23 - 102mm | black complete with PC / PB / ABZ cover inserts |

Viewing angle: 200°

Body diameter: 12mm

Packaging: each / 10 pcs

Name plate with hidden security door viewer

The body is manufactured from ABS with a methacrylate lens.



| | | | |
|---------------------|--------------------------|-----------|---|
| <i>DESOJ7/BK/PG</i> | name plate / door viewer | 23 - 65mm | black complete with pol. gold plated trim |
| <i>DESOJ8/BK/PC</i> | name plate / door viewer | 23 - 65mm | black complete with pol. chrome plated trim |

Viewing angle: 170°

Dimensions: 93mm x 28mm

Packaging: each / 10 pcs

D&E door viewer interior privacy cover



DET18/12PGP
DET18/14PGP
DET18/16PGP

cover for use with 12mm Ø door viewer
 cover for use with 14mm Ø door viewer
 cover for use with 16mm Ø door viewer

pol. gold plated
 pol. gold plated
 pol. gold plated



DET30/12PGP
DET30/14PGP
DET30/16PGP

cover for use with 12mm Ø door viewer
 cover for use with 14mm Ø door viewer
 cover for use with 16mm Ø door viewer

pol. gold plated
 pol. gold plated
 pol. gold plated

D&E door viewer rose



DEAR45/12/PGP
DEAR45/14/PGP
DEAR45/16/PGP

12mm int. Ø / 45mm ext. Ø rose
 14mm int. Ø / 45mm ext. Ø rose
 16mm int. Ø / 45mm ext. Ø rose

pol. gold plated
 pol. gold plated
 pol. gold plated



DEAR50/12/PGP
DEAR50/14/PGP
DEAR50/16/PGP

12mm int. Ø / 50mm ext. Ø rose
 14mm int. Ø / 50mm ext. Ø rose
 16mm int. Ø / 50mm ext. Ø rose

pol. gold plated
 pol. gold plated
 pol. gold plated

| | | |
|----------------|------|--|
| CI/SfB | | |
| 31/59 | Xt 7 | |
| September 2007 | | |

D&E chainet - security door chain

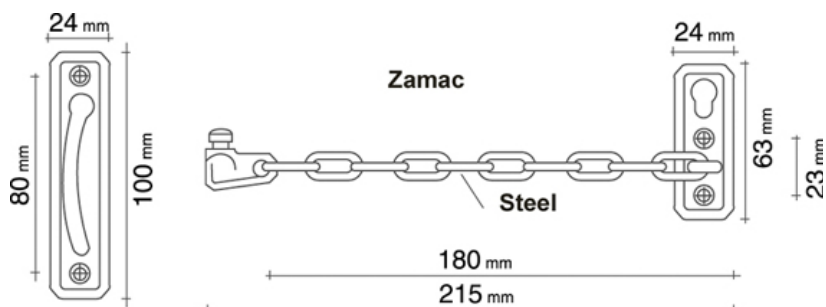
The D&E *chainet* is designed for restricting the opening on doors.

Manufactured from zamac and steel.

Installation is via fixing screws (*supplied as standard*)



| | | |
|-------------|------------|------------------|
| DESOCB1/PC | door chain | pol. chrome |
| DESOCB2/PGL | door chain | pol. gold finish |



D&E chain

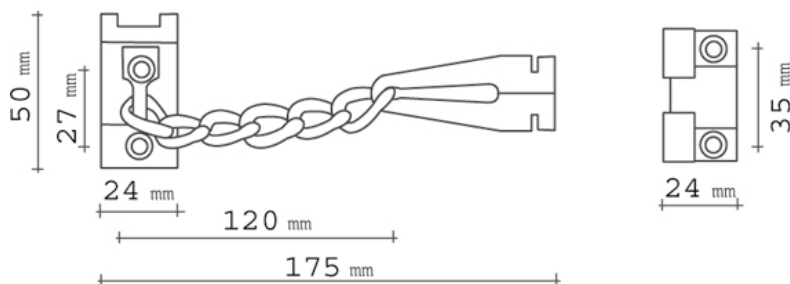
The D&E *chain* is designed for restricting the opening on doors. Available in two (2) lengths, 175mm for standard doors and 300mm for PVCu / over rebated doors.

Manufactured from steel.

Installation is via fixing screws (*supplied as standard*)



| | | |
|--------------|--------------------|-----------------------|
| DESOC1/NP | door chain - 175mm | pol. nickel plated |
| DESOC2/PGL | door chain - 175mm | pol. gold finish |
| DESOC3/ABZ | door chain - 175mm | antique bronze finish |
| DESOCAL1/NP | door chain - 300mm | pol. nickel plated |
| DESOCAL2/PGL | door chain - 300mm | pol. gold finish |
| DESOCAL3/ABZ | door chain - 300mm | antique bronze finish |



D&E door chain with external release

| | | |
|----------------|-------|------|
| CI/SfB | 31/59 | Xt 7 |
| September 2007 | | |



D&E door chain with external release.

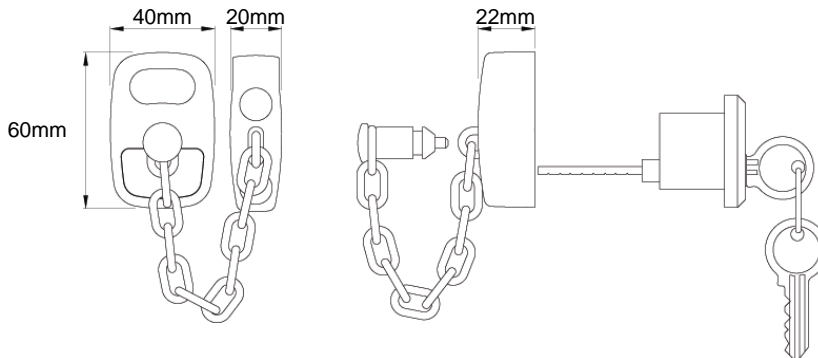
The D&E 'Erica' door chain with external release operates by using a rim cylinder on the external side of the door. Using the cylinder key you are able to disengage the door chain from the locked position. See the line drawing for further clarification.

| | | | |
|------------------|-----------------------------|-------|--------------|
| DEJBC233/COMP/WT | 'Erica' security door chain | 150mm | white |
| DEJBC233/COMP/PB | 'Erica' security door chain | 150mm | pol. brass |
| DEJBC233/COMP/PC | 'Erica' security door chain | 150mm | pol. chrome* |

*polished chrome - PC (special finish)

Alternatives lengths available to order - subject to quantity

This product is available keyed alike if required and can be supplied with additional keyed alike cylinders to allow single key operation of the door



D&E classic door restrictor

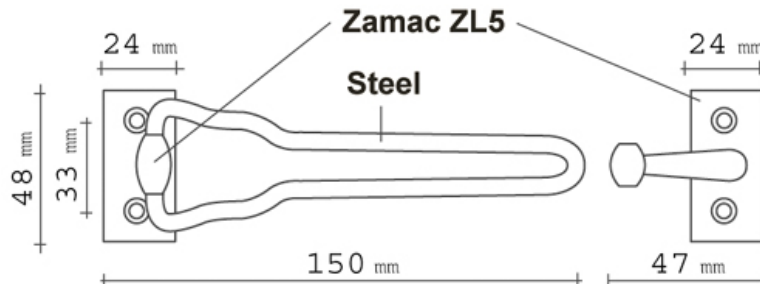


The D&E *classic* is designed for restricting the opening on doors. Available in two (2) lengths, 150mm for standard doors and 200mm for PVCu doors.

Manufactured from zamac and steel.

Installation is via fixing screws (*supplied as standard*)

| | | |
|---------------------|----------------------------------|-----------------------|
| <i>DES001/NP</i> | security door restrictor - 150mm | pol. nickel plated |
| <i>DES002/PGL</i> | security door restrictor - 150mm | pol. gold finish |
| <i>DES003/ABZ</i> | security door restrictor - 150mm | antique bronze finish |
| <i>DES006/WT</i> | security door restrictor - 150mm | white |
| | | |
| <i>DES001AL/NP</i> | security door restrictor - 200mm | pol. nickel plated |
| <i>DES002ALPGL</i> | security door restrictor - 200mm | pol. gold finish |
| <i>DES003AL/ABZ</i> | security door restrictor - 200mm | antique bronze finish |
| <i>DES006AL/WT</i> | security door restrictor - 200mm | white |



D&E modern door restrictor

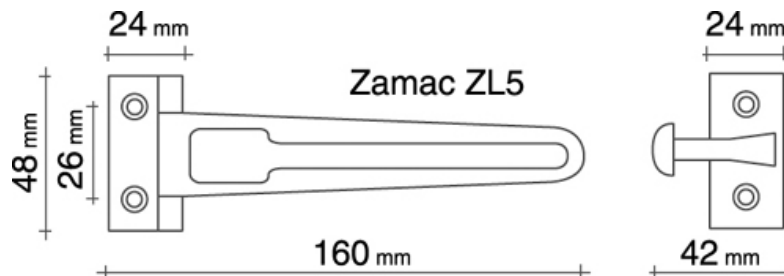


The D&E *modern* is designed for restricting the opening on doors. Available in two (2) slide patterns, 5mm for standard doors and 30mm raised bolt for PVCu / over rebated doors.

Manufactured from zamac and steel.

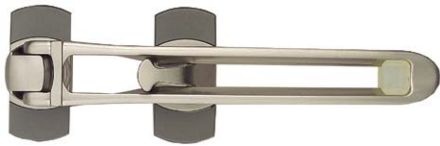
Installation is via fixing screws (*supplied as standard*)

| | | |
|--------------------|---------------------------------|------------------|
| <i>DESOP1/PC</i> | security door restrictor - 5mm | pol. chrome |
| <i>DESOP2/PGL</i> | security door restrictor - 5mm | pol. gold finish |
| <i>DESOP4/SC</i> | security door restrictor - 5mm | sat. chrome |
| <i>DESOP5/SGL</i> | security door restrictor - 5mm | sat. gold finish |
| <i>DESOP6/WT</i> | security door restrictor - 5mm | white |
| | | |
| <i>DESOPR1/PC</i> | security door restrictor - 30mm | pol. chrome |
| <i>DESOPR2/PGL</i> | security door restrictor - 30mm | pol. gold finish |
| <i>DESOPR4/SC</i> | security door restrictor - 30mm | sat. chrome |
| <i>DESOPR5/SGL</i> | security door restrictor - 30mm | sat. gold finish |
| <i>DESOPR6/WT</i> | security door restrictor - 30mm | white |



| | | |
|----------------|------|--|
| CI/SfB | | |
| 31/59 | Xt 7 | |
| September 2007 | | |

D&E most door restrictor

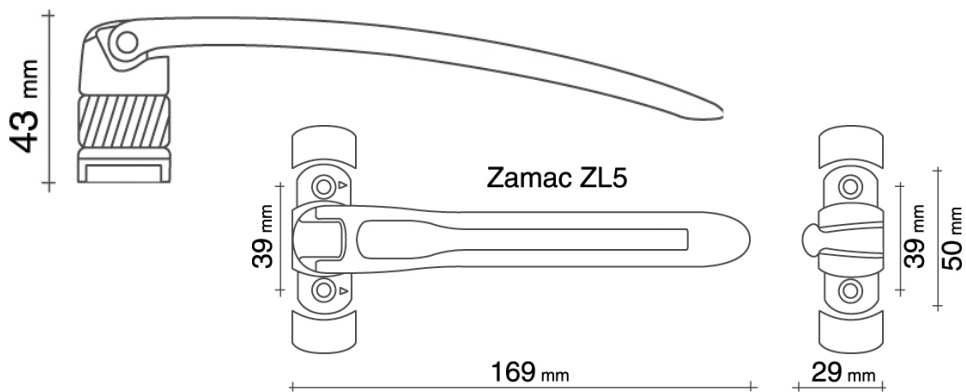


The D&E *most* is designed for restricting the opening on doors. The unique 360° movement on the slide arm allows easy and discreet stowing when not in use.

Manufactured from zamac and steel.

Installation is via fixing screws (*supplied as standard*)

| | | |
|------------|--------------------------|-----------------------|
| DESOM1/PC | security door restrictor | pol. chrome |
| DESOM2/PGL | security door restrictor | pol. gold lacquered |
| DESOM3/ABZ | security door restrictor | antique bronze finish |
| DESOM4/SNP | security door restrictor | sat. nickel finish |
| DESOM5/SGL | security door restrictor | sat. gold finish |
| DESOM6/WT | security door restrictor | white |



D&E mortice budget lock

Designed for use to secure hidden wall panels. Also suitable for use in small fanlights and windows where an espagnolette is too long.



DEF500/25 mortice budget lock yellow bi-chromate

Backset: 25mm
 Forend: 134 x 16mm
 Case: 85 x 36mm
 Follower: 7mm
 Fixing centres: 43mm

D&E square key

Designed to suit spindle hole / follower sizes 6.5mm - 7.5mm

DE784 budget lock square key electro galvanised

D&E rim budget lock

Designed to suit small fanlights and windows where an espagnolette is too long.



DE23G rim budget lock galvanised

Throw: 20mm
 Plate: 126 x 27mm
 Depth: 15mm
 Follower: 8mm
 Fixing centres: 101mm

D&E square key

Designed to suit spindle hole / follower sizes 6.5mm - 7.5mm

DE23A budget lock square key electro galvanised

D&E rim budget lock

Designed to suit small fanlights and windows where an espagnolette is too long.



| | | |
|-----------------|-----------------|------------|
| <i>DE23P</i> | rim budget lock | galvanised |
| Throw: | 15mm | |
| Plate: | 101 x 18mm | |
| Depth: | 12mm | |
| Follower: | 8mm | |
| Fixing centres: | 82mm | |

D&E square key

Designed to suit spindle hole / follower sizes 6.5mm - 7.5mm

| | | |
|--------------|------------------------|--------------------|
| <i>DE23A</i> | budget lock square key | electro galvanised |
|--------------|------------------------|--------------------|

D&E Menova high security window lock

The *DE1043* and *DE1012W* / *DE1013B* lock is designed to prevent the opening of a window unless the key is used. Suitable for use on aluminium, timber & PVCu outward opening windows.

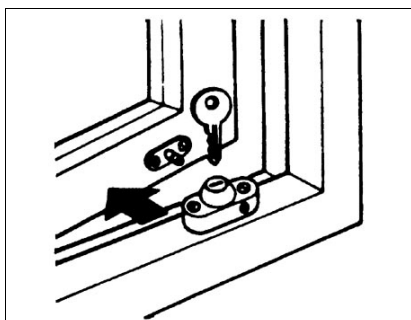
The *DE1043* must be used in conjunction with either the *DE1012W* or *DE1013B* key operated locks.



| | | |
|----------------|-------------------|------------|
| <i>DE1043</i> | locking pin | galvanised |
| <i>DE1012W</i> | key operated lock | white |
| <i>DE1013B</i> | key operated lock | brown |

Clutch head, security fixing screws supplied as standard.

The *DE1012W* & *DE1013B* lock is also designed for use in conjunction with the *DE1023* locking hook stay, *DE1033* adjustable locking hook stay, in situations where air ventilation is required - these items can be found on pages O-1012 & O-1013 of the window fittings section



| | | |
|----------------|------|--|
| CI/SfB | | |
| 31/59 | Xt 7 | |
| September 2007 | | |



D&E high security door & window lock

The D&E DE3050PL is a high security secondary door / window lock. Suitable for use on timber, PVCu and aluminium inward opening doors, sliding doors and single & double leaf windows.

Supplied with a range of spacers to enable easy installation on over rebates.

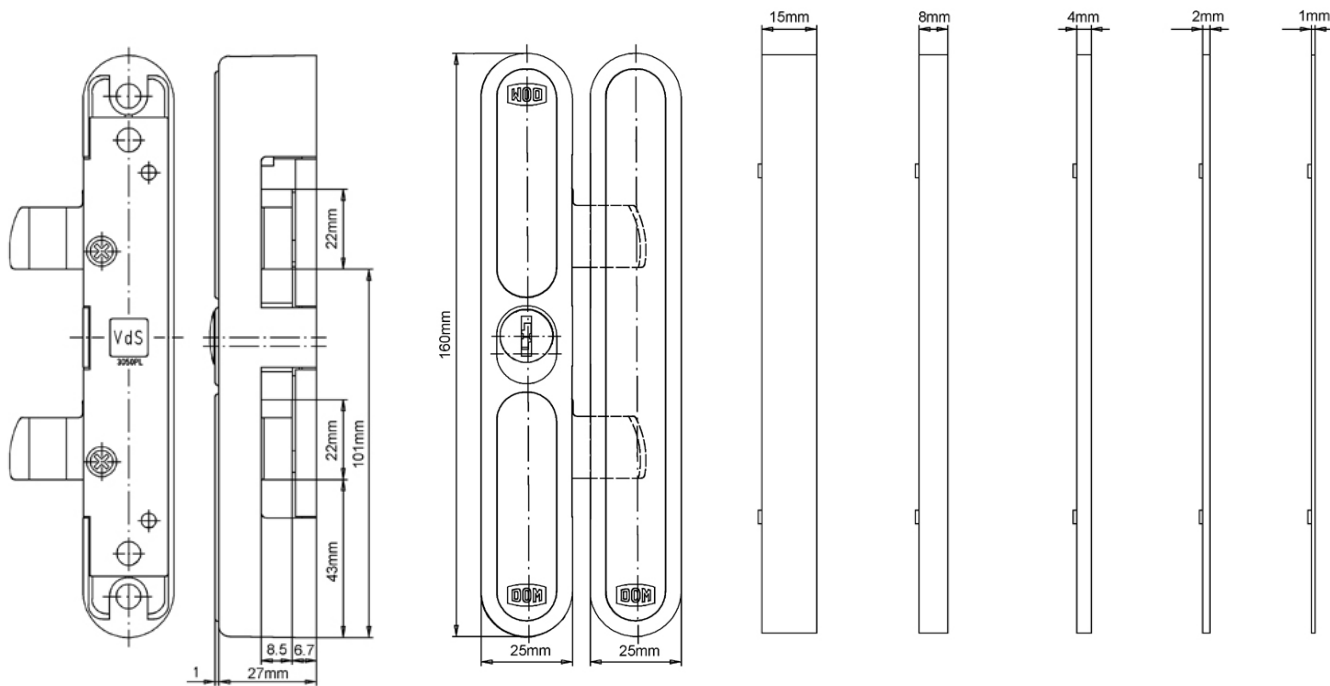
DE3050PL/WT D&E high security window & door lock white

Dimensions: see line drawing below

Spacer plates: see line drawing below

Supplied complete with 2 keys

Installation is via fixing screws - supplied





D&E window lock

The D&E *DEJBC350* & *DEJBC351* sliding sash window locks are medium & high security secondary window locks. Suitable for use on timber, PVCu and aluminium. Combining highly effective locking and compression of a traditional sliding doors and single & double leaf windows.

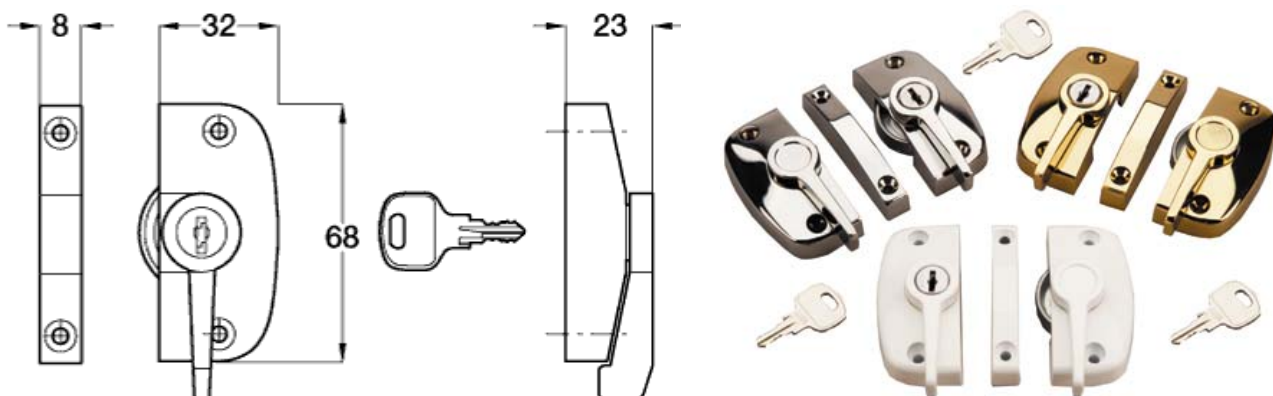
Supplied with a range of spacers to enable easy installation on over rebates.

| | | |
|--------------------|----------------------------------|--------------------|
| <i>DEJBC350/WT</i> | sliding sash window lock | white |
| <i>DEJBC350/PC</i> | sliding sash window lock | pol. chrome plated |
| <i>DEJBC350/PG</i> | sliding sash window lock | pol. gold plated |
| <i>DEJBC351/WT</i> | locking sliding sash window lock | white |
| <i>DEJBC351/PC</i> | locking sliding sash window lock | pol. chrome plated |
| <i>DEJBC351/PG</i> | locking sliding sash window lock | pol. gold plated |

Dimensions: see line drawings below

Supplied complete with 1 key

Installation is via fixing screws



D&E keep plates to suit *DEJBC350* & *DEJBC351* window locks

Suitable for use on timber and Halo, Deceuninck & Veka PVCu profiles:

| | | |
|--------------------|--------------------------|--------------------|
| <i>DEJBC354/WT</i> | 11.5mm flat diecast keep | white |
| <i>DEJBC354/PC</i> | 11.5mm flat diecast keep | pol. chrome plated |
| <i>DEJBC354/PG</i> | 11.5mm flat diecast keep | pol. gold plated |

Suitable for use on timber and Spectus, Rehau PVCu profiles:

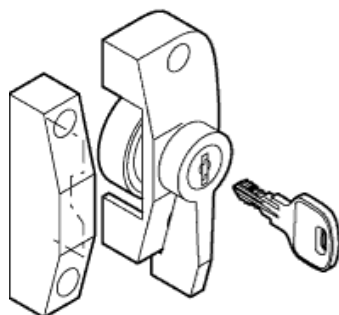
| | | |
|--------------------|-------------------------|--------------------|
| <i>DEJBC355/WT</i> | 8.5mm flat diecast keep | white |
| <i>DEJBC355/PC</i> | 8.5mm flat diecast keep | pol. chrome plated |
| <i>DEJBC355/PG</i> | 8.5mm flat diecast keep | pol. gold plated |

Suitable for use on timber and LB plastics - Sheerframe PVCu profile:

| | | |
|--------------------|----------------------|--------------------|
| <i>DEJBC353/WT</i> | Flat night vent keep | white |
| <i>DEJBC353/PC</i> | Flat night vent keep | pol. chrome plated |
| <i>DEJBC353/PG</i> | Flat night vent keep | pol. gold plated |

Suitable for use on timber and LB plastics - Sheerframe PVCu profile:

| | | |
|--------------------|-----------|--------------------|
| <i>DEJBC311/WT</i> | Flat keep | white |
| <i>DEJBC311/PC</i> | Flat keep | pol. chrome plated |
| <i>DEJBC311/PG</i> | Flat keep | pol. gold plated |



| | | |
|----------------|------|--|
| CI/SfB | | |
| 31/59 | Xt 7 | |
| September 2007 | | |



D&E door / window jammer

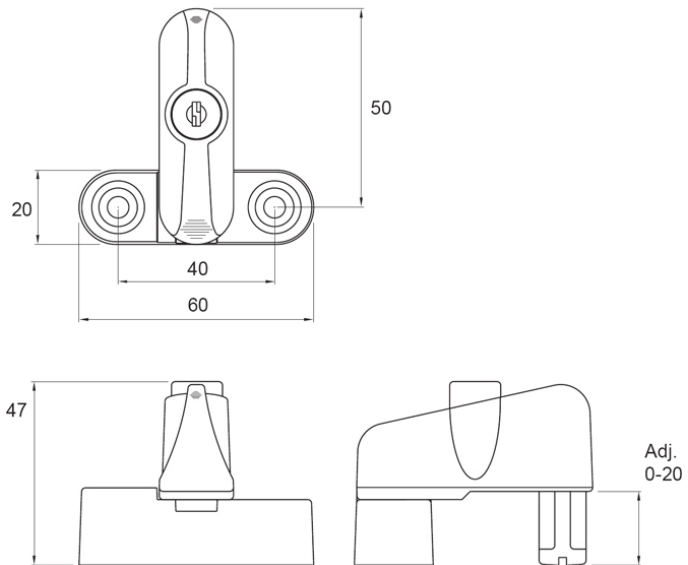
The D&E *DEJBC370* door & window lock series are designed to prevent the door or window from being jemmied open from the outside. Suitable for use on timber, PVCu and aluminium.

| | | |
|--------------------|----------------------|------------------|
| <i>DEJBC370/WT</i> | door / window jammer | white |
| <i>DEJBC370/PG</i> | door / window jammer | pol. gold finish |

Dimensions: see line drawings below

Supplied complete with 1 key

Installation is via fixing screws



D&E airquick



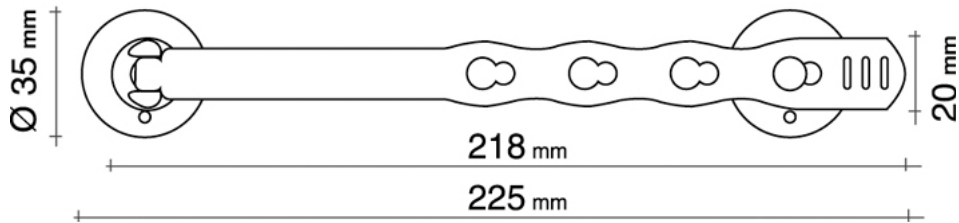
The D&E *airquick* designed use on doors or windows where a controlled air flow is required.

Manufactured from toughened polypropylene it retains its shape.

Installation is via two (2) suction pads

| | | |
|-----------|-----------------------------------|--------|
| DESOQ1/WT | airquick door / window restrictor | white |
| DESOQ2/RD | airquick door / window restrictor | red |
| DESOQ2/BL | airquick door / window restrictor | blue |
| DESOQ2/YL | airquick door / window restrictor | yellow |
| DESOQ2/GN | airquick door / window restrictor | green |

This product will not suction fit on to timber or any other uneven surface



D&E stickair

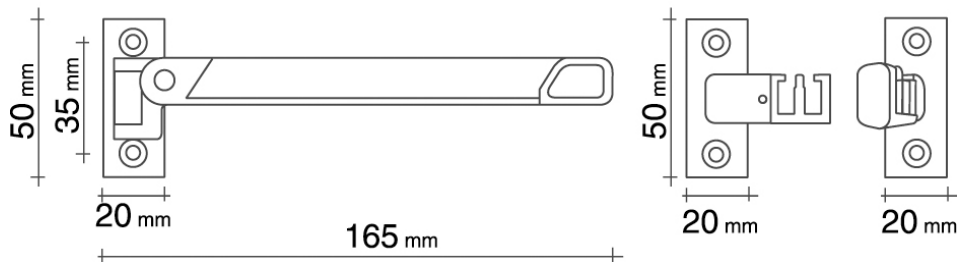


The D&E *stickair* designed for use on inward opening doors or windows where a controlled air flow is required.

Manufactured from fibre glass reinforced polyamide.

Installation is via adhesive pads or fixing screws (*both supplied as standard*)

| | | |
|------------|-----------------------------------|-------------|
| DESOG1/WT | stickair door / window restrictor | white |
| DESOG3/SWD | stickair door / window restrictor | wood effect |



| | | |
|----------------|------|--|
| CI/SfB | | |
| 31/59 | Xt 7 | |
| September 2007 | | |

D&E sairpentin

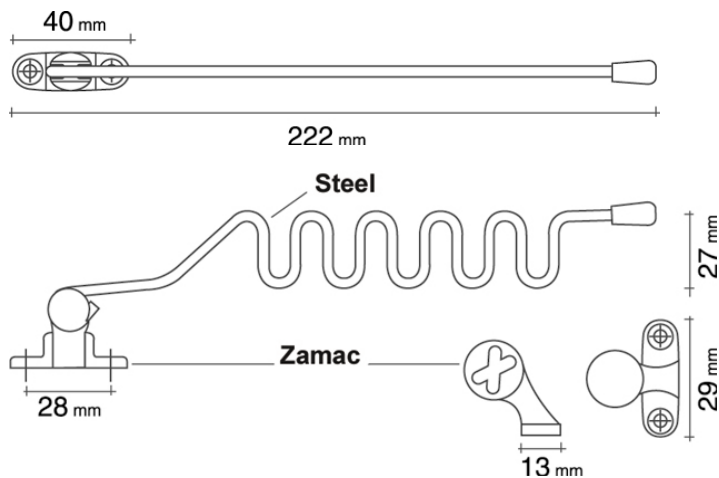
The D&E *sairpentin* is a fully adjustable door or window stay. For additional security a padlock can be used to secure the bar and prevent unwanted guests.



Manufactured from steel & zamac.

Installation is via fixing screws (*supplied as standard*)

| | | |
|------------|-----------------------------------|-----------------------|
| DESOE1/PC | airquick door / window restrictor | pol. chrome |
| DESOE1B/WT | airquick door / window restrictor | white |
| DESOE2/PGL | airquick door / window restrictor | pol. gold finish |
| DESOE3/ABZ | airquick door / window restrictor | antique bronze finish |



| | | |
|----------------|------|--|
| CI/SfB | | |
| 31/59 | Xt 7 | |
| September 2007 | | |

D&E airlock

The D&E *airlock* is designed for limiting / restricting the opening of a door or window. Suitable for use on aluminium, timber & PVCu , French and over rebated doors and most inward & outward opening windows.

The push button or key operated versions allow complete control over the amount of opening you require and ensures **duty of care** for the restricting the opening of windows on the first floor and above.

Manufactured from zamac and steel.

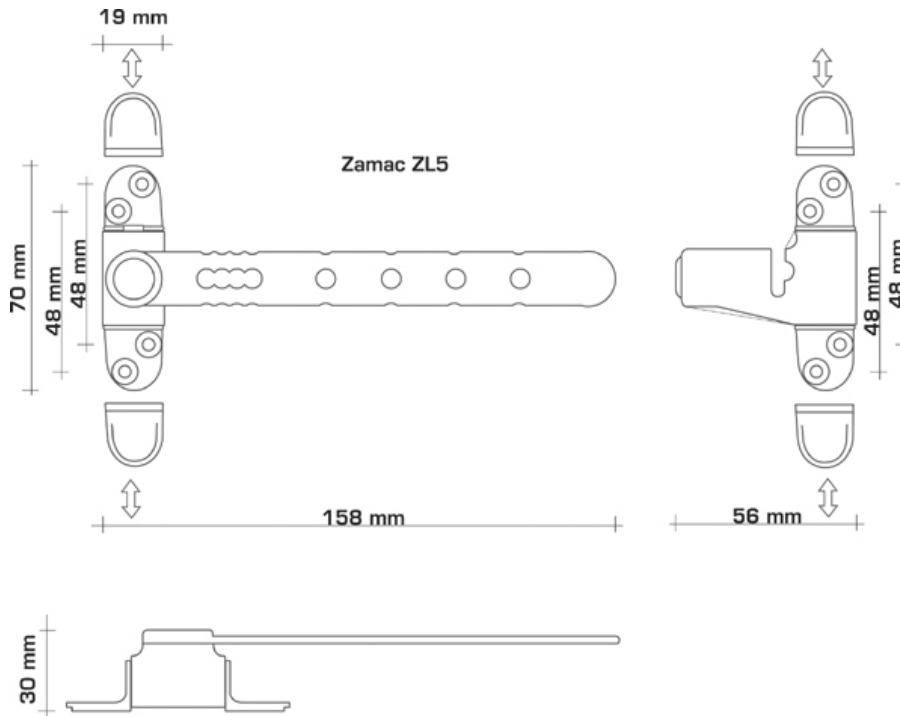
Installation is via fixing screws (*supplied as standard*)

Push button version:

| | | |
|------------|----------------------------------|------------------|
| DESOL1/PC | airlock door / window restrictor | pol. chrome |
| DESOL2/PGL | airlock door / window restrictor | pol. gold finish |
| DESOL4/SC | airlock door / window restrictor | sat. chrome |
| DESOL6/WT | airlock door / window restrictor | white |

Key operated Version:

| | | |
|-------------|----------------------------------|------------------|
| DESOL1C/PC | airlock door / window restrictor | pol. chrome |
| DESOL2C/PGL | airlock door / window restrictor | pol. gold finish |
| DESOL4C/SC | airlock door / window restrictor | sat. chrome |
| DESOL6C/WT | airlock door / window restrictor | white |



| | | |
|----------------|------|--|
| CI/SfB | | |
| 31/59 | Xt 7 | |
| September 2007 | | |

D&E airbaie

The D&E *airbaie* is designed for restricting the opening on sliding doors or windows. Available in locking and non-locking models. The airbaie is designed to address the requirements of 'duty of care' when restricting the opening of doors or windows.



Manufactured from zamac.

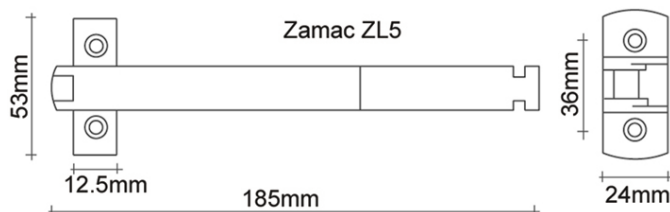
Installation is via fixing screws (*supplied as standard*)

Non-locking version:

| | | |
|--------------|----------------------------------|---------------|
| DESOB1 / SI | sliding door / window restrictor | silver |
| DESOB2 / WT | sliding door / window restrictor | white |
| DESOB3 / BK | sliding door / window restrictor | black |
| DESOB4 / BZL | sliding door / window restrictor | bronze finish |

Locking version:

| | | |
|---------------|----------------------------------|---------------|
| DESOB1C / SI | sliding door / window restrictor | silver |
| DESOB2C / WT | sliding door / window restrictor | white |
| DESOB3C / BK | sliding door / window restrictor | black |
| DESOB4C / BZL | sliding door / window restrictor | bronze finish |



D&E stainless steel barrel bolt - DELS5010.

Non-locking version:

| | | |
|--------------|-----------------------------|----------------------|
| DELS5010/SSS | stainless steel barrel bolt | sat. stainless steel |
|--------------|-----------------------------|----------------------|

SSS grade: SUS 304
 Plate dimensions: 100 x 40mm
 Bolt dimensions: 150 x 12mm



Padlocking version:

| | | |
|---------------|-----------------------------|----------------------|
| DELS5010L/SSS | stainless steel barrel bolt | sat. stainless steel |
|---------------|-----------------------------|----------------------|

SSS grade: SUS 304
 Plate dimensions: 100 x 40mm
 Bolt dimensions: 150 x 12mm

For use with 5mm shackle



D&E lever action flush bolt range

| | | | |
|-------------|-------------------------|------------|---------------|
| DE58/150/B | lever action flush bolt | 150 x 16mm | brassed |
| DE58/150/NP | lever action flush bolt | 150 x 16mm | nickel plated |
| DE58/200/B | lever action flush bolt | 200 x 16mm | brassed |
| DE58/200/NP | lever action flush bolt | 200 x 16mm | nickel plated |
| DE58/250/B | lever action flush bolt | 250 x 16mm | brassed |
| DE58/250/NP | lever action flush bolt | 250 x 16mm | nickel plated |

Shoot bolt: diameter: 8mm
projection: 14mm

Packaging: 12 pcs

For a floor socket with a sprung dust cover see page P-1031



D&E slide action flush bolt range

| | | | |
|-------------|-------------------------|------------|---------------|
| DE59/150/B | slide action flush bolt | 150 x 16mm | brassed |
| DE59/150/NP | slide action flush bolt | 150 x 16mm | nickel plated |
| DE59/200/B | slide action flush bolt | 200 x 16mm | brassed |
| DE59/200/NP | slide action flush bolt | 200 x 16mm | nickel plated |
| DE59/250/B | slide action flush bolt | 250 x 16mm | brassed |
| DE59/250/NP | slide action flush bolt | 250 x 16mm | nickel plated |

Shoot bolt: diameter: 8mm
projection: 21mm

Packaging: 12 pcs

For a floor socket with a sprung dust cover see page P-1031

| | | |
|----------------|------|--|
| CI/SfB | | |
| 31/59 | Xt 7 | |
| September 2007 | | |



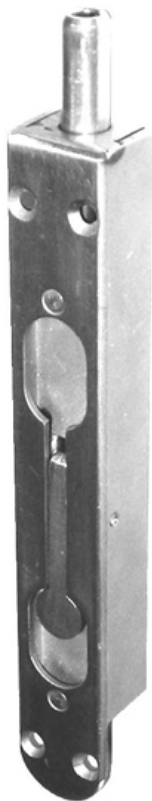
D&E lever action flush bolt range

| | | | |
|------------------------|-------------------------|------------|-------------|
| <i>DELS5016/6/PB</i> | lever action flush bolt | 150 x 19mm | pol. brass |
| <i>DELS5016/6/PC</i> | lever action flush bolt | 150 x 19mm | pol. chrome |
| <i>DELS5016/6/SCP</i> | lever action flush bolt | 150 x 19mm | sat. chrome |
| <i>DELS5017/8/PB</i> | lever action flush bolt | 200 x 19mm | pol. brass |
| <i>DELS5017/8/PC</i> | lever action flush bolt | 200 x 19mm | pol. chrome |
| <i>DELS5017/8/SCP</i> | lever action flush bolt | 200 x 19mm | sat. chrome |
| <i>DELS5018/10/PB</i> | lever action flush bolt | 250 x 19mm | pol. brass |
| <i>DELS5018/10/PC</i> | lever action flush bolt | 250 x 19mm | pol. chrome |
| <i>DELS5018/10/SCP</i> | lever action flush bolt | 250 x 19mm | sat. chrome |
| <i>DELS5019/12/PB</i> | lever action flush bolt | 300 x 19mm | pol. brass |
| <i>DELS5019/12/PC</i> | lever action flush bolt | 300 x 19mm | pol. chrome |
| <i>DELS5019/12/SCP</i> | lever action flush bolt | 300 x 19mm | sat. chrome |

Shoot bolt: diameter: 10mm
projection: 17mm

Packaging: each / 10 pcs

For a floor socket with a sprung dust cover see pages P-1030 and P-1031



D&E "asgard" lever action flush bolt - DE30HZ/ZP

| | | | |
|------------------|-------------------------|------------|-------------|
| <i>DE30HZ/ZP</i> | lever action flush bolt | 168 x 25mm | zinc plated |
|------------------|-------------------------|------------|-------------|

Shoot bolt: diameter: 10mm
projection: 19mm

Packaging: each / 50 pcs

For a floor socket with a sprung dust cover see pages P-1030 and P-1031

| | | |
|----------------|------|--|
| CI/SfB | | |
| 31/59 | Xt 7 | |
| September 2007 | | |



D&E “asgard” lever action flush bolt - DE36HZ/ZP

The “asgard” DE36HZ/ZP lever action flush bolt has a sprung shoot for positive location into the keep.

| | | | |
|-------------|-------------------------|------------|-------------|
| DE36HZ/ZP | lever action flush bolt | 190 x 18mm | zinc plated |
| Dimensions: | shoot diameter: | 12mm | |
| | shoot projection: | 19mm | |
| Handing: | reversible | | |
| Packaging: | each / 50 pcs | | |

For a floor socket with a sprung dust cover see pages P-1030 and P-1031



D&E “asgard” chameleon lever action flush bolt - DE33HZM/ZP

The “asgard” DE33HZM/ZP chameleon lever action flush bolt has a sprung shoot for positive location into the keep.

| | | | |
|-------------|-------------------------|----------------------------------|-------------|
| DE33HZM/ZP | lever action flush bolt | 190 x 25mm | zinc plated |
| Dimensions: | shoot offset: | 32mm | |
| | shoot diameter: | 12mm | |
| | shoot projection: | 19mm | |
| | shoot length: | 125 - 85mm (<i>adjustable</i>) | |
| | shoot backset: | 32mm | |
| Handing: | reversible | | |
| Packaging: | each / 50 pcs | | |

For a floor socket with a sprung dust cover see pages P-1030 and P-1031

| | | |
|----------------|------|--|
| CI/SfB | | |
| 31/59 | Xt 7 | |
| September 2007 | | |



D&E “asgard” flush bolt with latching action - DE35HZ/ZP

The “asgard” DE35HZ/ZP flush bolt with latching action has a sprung latch to allow the door to be automatically locked when the door is closed.

| | | | |
|-------------|--------------------------------|------------|-------------|
| DE35HZ/ZP | sprung slide action flush bolt | 190 x 18mm | zinc plated |
| Dimensions: | shoot dimensions: | 17 x 15mm | |
| | shoot projection: | 13mm | |
| Packaging: | each / | 50 pcs | |
| Handing: | reversible | | |

D&E “asgard” automatic flush bolt - DE28HZ/ZP

The “asgard” DE28HZ/ZP automatic flush bolt is designed for installation in the edge of the secondary / slave leaf. With the secondary leaf in the closed position and when the primary leaf closes, the latch is depressed and the shoot bolt is thrown.



| | | | |
|-------------|---------------------------|------------|-------------|
| DE28HZ/ZP/L | automatic flush bolt - LH | 168 x 25mm | zinc plated |
| DE28HZ/ZP/R | automatic flush bolt - RH | 168 x 25mm | zinc plated |

| | | |
|-------------------|-----------------|------------------|
| Shoot bolt: | diameter: | 10mm |
| | projection: | 19mm |
| Finish available: | zinc plated | |
| Packaging: | each / | 50 pcs |
| Handing: | supplied handed | (please specify) |

For a floor socket with a sprung dust cover see pages P-1030 and P-1031

A door selector should be used with this product
See the Door Controls section of this catalogue

| | | |
|----------------|------|--|
| CI/SfB | | |
| 31/59 | Xt 7 | |
| September 2007 | | |



D&E “asgard” automatic flush bolt - DE31HZC/ZP

The “asgard” DE31HZC/ZP automatic flush bolt is designed for installation in the edge of the secondary / slave leaf of rebated and non-rebated doors. With the secondary leaf in the closed position and when the primary leaf closes, the latch is depressed and the shoot bolt is thrown.

| | | | |
|---------------|---------------------------|------------|-------------|
| DE31HZC/ZP /L | automatic flush bolt - LH | 160 x 20mm | zinc plated |
| DE31HZC/ZP /R | automatic flush bolt - RH | 160 x 20mm | zinc plated |

Shoot bolt: diameter: 12mm
projection: 16mm

Packaging: each / 50 pcs

Handing: supplied handed (*please specify*)

For a floor socket with a sprung dust cover see pages P-1030 and P-1031

*A door selector should be used with this product
See the Door Controls section of this catalogue*



D&E “asgard” automatic flush bolt - DE34HZ/ZP

The “asgard” DE34HZ/ZP automatic flush bolt is designed for installation in the edge of the secondary / slave leaf of rebated and non-rebated doors. With the secondary leaf in the closed position and when the primary leaf closes, the latch is depressed and the shoot bolt is thrown.

| | | | |
|--------------|---------------------------|------------|-------------|
| DE34HZ/ZP /L | automatic flush bolt - LH | 190 x 18mm | zinc plated |
| DE34HZ/ZP /R | automatic flush bolt - RH | 190 x 18mm | zinc plated |

Dimensions: shoot diameter: 12mm
shoot projection: 16mm

Packaging: each / 50 pcs

Handing: supplied handed (*please specify*)

For a floor socket with a sprung dust cover see pages P-1030 and P-1031

*A door selector should be used with this product
See the Door Controls section of this catalogue*

| | | |
|----------------|------|--|
| CI/SfB | | |
| 31/59 | Xt 7 | |
| September 2007 | | |



D&E “asgard” automatic flush bolt - DE33HZ10/ZP

The “asgard” DE33HZ10/ZP automatic flush bolt is designed for installation in the edge of the secondary / slave leaf of rebated and non-rebated doors. With the secondary leaf in the closed position and when the primary leaf closes, the latch is depressed and the shoot bolt is thrown.

| | | | |
|---------------|---------------------------|------------|-------------|
| DE33HZ10/ZP/L | automatic flush bolt - LH | 160 x 25mm | zinc plated |
| DE33HZ10/ZP/R | automatic flush bolt - RH | 160 x 25mm | zinc plated |

Dimensions: shoot diameter: 10mm
 shoot projection: 16mm

Packaging: each / 50 pcs

Handing: supplied handed (*please specify*)

For a floor socket with a sprung dust cover see pages P-1030 and P-1031

*A door selector should be used with this product
 See the Door Controls section of this catalogue*



D&E “asgard” automatic flush deadbolt - DE26HZ/*

The “asgard” DE26HZ/* automatic flush deadbolt is designed for installation in the edge of the secondary / slave leaf of rebated and non-rebated doors. With the secondary leaf in the closed position and when the primary leaf closes, the latch is depressed and the shoot bolt is thrown.

| | | | |
|-------------|--------------------------|-----------|----------------------|
| DE26HZ/ZP | automatic flush deadbolt | 78 x 88mm | zinc plated |
| DE26HZ/SSS* | automatic flush deadbolt | 78 x 88mm | sat. stainless steel |

Shoot bolt: dimensions: 36 x 10mm
 projection: 24mm

Packaging: each / 50 pcs

Handing: reversible

*A door selector should be used with this product
 See the Door Controls section of this catalogue*

* SSS model available to order - subject to quantity.

| | | |
|----------------|------|--|
| CI/SfB | | |
| 31/59 | Xt 7 | |
| September 2007 | | |



D&E "asgard" chameleon automatic flush deadbolt - DE33HZ30F/ZP

The "asgard" DE33HZ30F/ZP chameleon lever action flush bolt has a sprung shoot for positive location into the keep. With the secondary leaf in the closed position and when the primary leaf closes, the latch is depressed and the shoot bolt is thrown.

DE33HZ30F/ZP/L chameleon automatic flush bolt - LH zinc plated
 DE33HZ30F/ZP/R chameleon automatic flush bolt - RH zinc plated

Dimensions: body: 190 x 24mm
 shoot diameter: 12mm
 shoot projection: 16mm
 shoot length: 125 - 85mm (adjustable)
 shoot backset: 32mm

Packaging: each / 50 pcs

Handing: supplied handed (please specify)

For a floor socket with a sprung dust cover see pages P-1030 and P-1031

A door selector should be used with this product
 See the Door Controls section of this catalogue



D&E "asgard" chameleon automatic flush deadbolt - DE33HZ30T/ZP

The "asgard" DE33HZ30T/ZP chameleon lever action flush bolt. With the secondary leaf in the closed position and when the primary leaf closes, the latch is depressed and the shoot bolt is thrown.

DE33HZ30T/ZP/L chameleon automatic flush bolt - LH zinc plated
 DE33HZ30T/ZP/R chameleon automatic flush bolt - RH zinc plated

Dimensions: body: 190 x 24mm
 shoot diameter: 12mm
 shoot projection: 16mm
 shoot length: 125 - 85mm (adjustable)
 shoot backset: 32mm

Finish available: zinc plated

Packaging: each / 50 pcs

Handing: supplied handed (please specify)

For a floor socket with a sprung dust cover see pages P-1030 and P-1031

A door selector should be used with this product
 See the Door Controls section of this catalogue

| | | |
|----------------|------|--|
| CI/SfB | | |
| 31/59 | Xt 7 | |
| September 2007 | | |



D&E "asgard" chameleon automatic flush deadbolt

The "asgard" DE27HZ/ZP chameleon lever action flush bolt. With the secondary leaf in the closed position and when the primary leaf closes, the latch is depressed and the shoot bolt is thrown.

| | | |
|-------------|--------------------------------|----------------------|
| DE27HZ/ZP | chameleon automatic flush bolt | zinc plated |
| DE27HZ/SSS* | chameleon automatic flush bolt | sat. stainless steel |

| | | |
|-------------|-------------------|----------------------------------|
| Dimensions: | body: | 98 x 25mm |
| | shoot diameter: | 12mm |
| | shoot projection: | 15mm |
| | shoot length: | 190 - 85mm (<i>adjustable</i>) |
| | shoot backset: | 40mm |

Packaging: each / 50 pcs

Handing: reversible

For a floor socket with a sprung dust cover see below and P-1031

*A door selector should be used with this product
See the Door Controls section of this catalogue*

**SSS model available to order - subject to quantity.*



D&E "asgard" floor socket with dust cover

The "asgard" DE17HZ/ZP floor socket with sprung dust cover is designed for use with most of the D&E range of flush bolts.

| | | |
|-----------|-------------------|-------------|
| DE17HZ/ZP | floor dust socket | zinc plated |
|-----------|-------------------|-------------|

| | | |
|-------------|------------------|--------------------------------|
| Dimensions: | body: | 61 x 22mm |
| | socket diameter: | 13mm internal 18mm external |
| | socket depth: | 37mm |

Packaging: each / 50 pcs

| | | |
|----------------|------|--|
| CI/SfB | | |
| 31/59 | Xt 7 | |
| September 2007 | | |

D&E floor sockets with sprung dust cover



DE475/6/PB floor dust socket pol. brass
 DE475/6/NP floor dust socket nickel plated
 Dimensions - Ø: cover plate / body / internal: 14mm / 10mm / 6mm

DE475/8/PB floor dust socket pol. brass
 DE475/8/NP floor dust socket nickel plated
 Dimensions - Ø: cover plate / body / internal: 18mm / 12mm / 8mm

DE475/10/PB floor dust socket pol. brass
 DE475/10/NP floor dust socket nickel plated
 Dimensions - Ø: cover plate / body / internal: 20mm / 14mm / 10mm



DE475/12/PB floor dust socket pol. brass
 DE475/12/NP floor dust socket nickel plated
 Dimensions - Ø: cover plate / body / internal: 22mm / 16mm / 12mm

DE475/14/PB floor dust socket pol. brass
 DE475/14/NP floor dust socket nickel plated
 Dimensions - Ø: cover plate / body / internal: 25mm / 18mm / 14mm

DE475/16/PB floor dust socket pol. brass
 DE475/16/NP floor dust socket nickel plated
 Dimensions - Ø: cover plate / body / internal: 28mm / 20mm / 16mm

DE475/18/PB floor dust socket pol. brass
 DE475/18/NP floor dust socket nickel plated
 Dimensions - Ø: cover plate / body / internal: 30mm / 22mm / 18mm

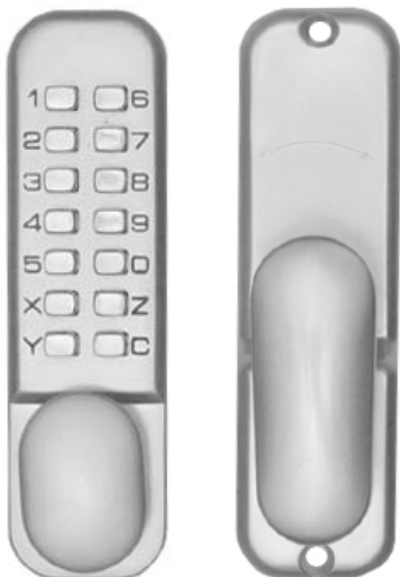
DE475/20/PB floor dust socket pol. brass
 DE475/20/NP floor dust socket nickel plated
 Dimensions - Ø: cover plate / body / internal: 32mm / 24mm / 20mm

DE475/22/PB floor dust socket pol. brass
 DE475/22/NP floor dust socket nickel plated
 Dimensions - Ø: cover plate / body / internal: 32mm / 25mm / 22mm

All floor dust sockets have a depth of 28mm

| | | |
|----------------|------|--|
| CI/SfB | | |
| 31/59 | Xt 7 | |
| September 2007 | | |

D&E Digital lock.



The D&E push button digital lock is designed to work as an anti-theft and access control device.

| | | |
|------------------------|----------------------------|-------------------|
| <i>DELS5700/60/PB</i> | digital lock with holdback | PVD brass |
| <i>DELS5700/60/PC</i> | digital lock with holdback | pol. chrome plate |
| <i>DELS5700/60/SCP</i> | digital lock with holdback | sat. chrome plate |

| | | |
|------------------------|-------------------------------|-------------------|
| <i>DELS5710/60/PB</i> | digital lock without holdback | PVD brass |
| <i>DELS5710/60/PC</i> | digital lock without holdback | pol. chrome plate |
| <i>DELS5710/60/SCP</i> | digital lock without holdback | sat. chrome plate |

Rating: low to medium usage doors.

Backset: 60mm

Door thickness: 35 - 55mm

Latchbolt: reversible, dead locking - nickel plated forend.

Combinations: over 8000 possible combinations. *(The lock will remain locked until the correct code has been entered)*

Integral parts: all the integral components have been chemically treated for extra strength and durability.

Supplied complete with fixings and box strike plate.

D&E contractors cylinder plug



The D&E cylinder plug is available in ten (10) differs. It is designed so that the contractor can limit access to, or secure a room until the cylinders arrive. Installation / removal is achieved in the same manner as a euro profile cylinder.

| | |
|----------------------|---------------|
| <i>DE7460/401/1</i> | key series 1 |
| <i>DE7460/401/2</i> | key series 2 |
| <i>DE7460/401/3</i> | key series 3 |
| <i>DE7460/401/4</i> | key series 4 |
| <i>DE7460/401/5</i> | key series 5 |
| <i>DE7460/401/6</i> | key series 6 |
| <i>DE7460/401/7</i> | key series 7 |
| <i>DE7460/401/8</i> | key series 8 |
| <i>DE7460/401/9</i> | key series 9 |
| <i>DE7460/401/10</i> | key series 10 |

Operation: the key acts as a cylinder cam and operates the lock as a normal profile cylinder does.

Also available is a conversion plug to convert a euro profile lockcase to a wc function - 6mm follower incorporated - DE57100

This contractors cylinder insert is to be used as a temporary cylinder and should not be used in lieu of a permanent cylinder

| | | |
|----------------|-------|------|
| CI/SfB | 31/59 | Xt 7 |
| September 2007 | | |



D&E hook spindle - DESP5001/65

For use on applications where a lever is installed on one side of the door only. The hook is secured by tightening the grub screw located down the centre of the spindle.

DESP5001/65 hook spindle - 65mm

Door thickness: 50 - 55mm
Diameter: 8mm

Supplied complete with allen key.

Suitable for use with any D&E lockcase with an 8mm through follower.



D&E half spindle - PVCu handles

For use with PVCu handles with a bolt through fixing - lever / offset lever or pad.

DESP5011/55 half spindle - 55mm

DESP5011/65 half spindle - 65mm

DESP5011/75 half spindle - 75mm

Diameter: 8mm

Supplied complete with allen key.

Suitable for use with any D&E lockcase with an 8mm through follower.

D&E split spindle

For use on applications where anti-panic locks with a 8mm split follower are installed.



DESP5002/100 8mm split spindle - 50 / 50mm

DESP5003/100 9mm split spindle - 50 / 50mm

Door thickness: 54mm

D&E split spindle - PVCu handles

For use with PVCu handles with a bolt through fixing - lever / lever or pad.

Primarily for use on nightlatch multi-point locks.



DESP5004/120 8mm split spindle - 55 / 65mm

Door thickness: 70mm

D&E Pitts mortice spindle

For use on applications where a set of levers or knob furniture is used which rely on the rose or backplate fixings to secure them to the door.

This spindle is highly recommended for use on handles for PVCu and Aluminium applications.



DESP5005/150 5mm pitts mortice spindle - 150mm

DESP5007/150 7mm pitts mortice spindle - 150mm

DESP5008/150 8mm pitts mortice spindle - 150mm

All above D&E Pitts mortice spindles will suit a door thickness of 90mm

D&E spindle sleeve range.



DERBSL58 spindle sleeve 5mm up to 8mm
DERBSL67 spindle sleeve 6mm up to 7mm
DERBSL68 spindle sleeve 6mm up to 8mm
DERBSL78 spindle sleeve 7mm up to 8mm
DERBSL89 spindle sleeve 8mm up to 9mm

Dimensions: 15mm standard length

Packaging: each

DERBSL67/1 spindle sleeve 6mm up to 7mm
DERBSL68/1 spindle sleeve 6mm up to 8mm
DERBSL78/1 spindle sleeve 7mm up to 8mm

Dimensions: 1 metre length

Packaging: each

| | | |
|---------------|------|--|
| CI/SfB | | |
| 31/59 | Xt 7 | |
| February 2012 | | |

D&E Geminy High Security Range

The Geminy Range is designed with the ultimate security in mind from a mechanical security product. With an almost infinite amount of security key differs, the Geminy Range is a must for security environments where the removal of a power source can result in unwanted entry.



GEMINY



| | | |
|---------------|------|--|
| CI/SfB | | |
| 31/59 | Xt 7 | |
| February 2012 | | |



D&E Geminy High Security Range

The Geminy Range is designed with the ultimate security in mind from a mechanical security product. With an almost infinite amount of security key differs, the Geminy Range is a must for security environments where the removal of a power source can result in unwanted entry.

The Europa Version

The Europa Version is designed to suit All of the D&E DIN Standard lockcases.

Designed to suit locks with the following centres: 55, 57, 70, 72, 74, 78, 85, 88, 90 and 92mm

Supplied as standard to suit a Euro-Profile cylinder, but if the PZ insert is removed it is suitable for oval profile cylinders.

| | | |
|----------------------|---------------|--------------------|
| <i>DEGEM/EU1/SCP</i> | Geminy Europa | sat. chrome plated |
| <i>DEGEM/EU1/GD</i> | Geminy Europa | pol. brass plated |

Applications: main entrances to apartment blocks
house entrance doors
timber doors

Supplied complete with: 3 pan-shaped keys
Fixings to suit a timber door
Geminy security registration card

Dimensions: Closed: 270x54mm
Opening: 48mm

Recommended cylinder projection: 6-18mm

Depending on the cylinder key, the projection of the cylinder may be less. However it must not be exceeded. If the cylinder is too short, the key cannot be fully inserted or turned. If it is too long, the security slide cannot be locked in place. In many cases the manufacture of a combined key can avoid the cylinder extension.

GEMINY



| | | |
|---------------|------|--|
| CI/SfB | | |
| 31/59 | Xt 7 | |
| February 2012 | | |

D&E Geminy High Security Range



The Geminy Range is designed with the ultimate security in mind from a mechanical security product. With an almost infinite amount of security key differs, the Geminy Range is a must for security environments where the removal of a power source can result in unwanted entry.

The Long Version

The Long Version is designed to suit euro profile cylinders.

| | | |
|-----------------------|-------------|--------------------|
| <i>DEGEM/LONG/SCP</i> | Geminy Long | sat. chrome plated |
| <i>DEGEM/LONG/PCP</i> | Geminy Long | pol. chrome plated |
| <i>DEGEM/LONG/GD</i> | Geminy Long | pol. brass plated |

Supplied complete with: 3 pan-shaped keys
 Fixings to suit a timber door
 Geminy security registration card

Dimensions: Closed: 113x36mm
 Opening: 30mm

Recommended cylinder projection: 6-18mm



The Round Version

The Round Version is designed to suit euro & oval profile cylinders.

Supplied as standard to suit a Euro-Profile cylinder, but if the PZ insert is removed it is suitable for oval profile cylinders.

| | | |
|------------------------|--------------|--------------------|
| <i>DEGEM/ROUND/SCP</i> | Geminy Round | sat. chrome plated |
| <i>DEGEM/ROUND/PCP</i> | Geminy Round | pol. chrome plated |
| <i>DEGEM/ROUND/GD</i> | Geminy Round | pol. brass plated |

Supplied complete with: 3 pan-shaped keys
 Fixings to suit a timber door
 Geminy security registration card

Dimensions: Closed: 100x60 to 38mm
 Opening: 22mm

Recommended cylinder projection: 6-18mm

Depending on the cylinder key, the projection of the cylinder may be less. However it must not be exceeded. If the cylinder is too short, the key cannot be fully inserted or turned. If it is too long, the security slide cannot be locked in place. In many cases the manufacture of a combined key can avoid the cylinder extension.

GEMINY



| | | |
|---------------|------|--|
| CI/SfB | | |
| 31/59 | Xt 7 | |
| February 2012 | | |



D&E Geminy High Security Range

The Geminy Range is designed with the ultimate security in mind from a mechanical security product. With an almost infinite amount of security key differs, the Geminy Range is a must for security environments where the removal of a power source can result in unwanted entry.

The Geminy Keysafe

The Keysafe Version is designed for environments where a key needs to be accessible at all times.

| | | |
|-----------------|----------------|--------------------|
| DEGEM/KSAFE/SCP | Geminy Keysafe | sat. chrome plated |
| DEGEM/KSAFE/PCP | Geminy Keysafe | pol. chrome plate |
| DEGEM/KSAFE/GD | Geminy Keysafe | pol. brass plated |

Applications: Any environment where a key must be accessible at any time

Supplied complete with: 3 pan-shaped keys
Geminy security registration card

Dimensions: Closed: 230x58mm
Opening: 80mm



D&E Geminy Care Spray

The Geminy Care Spray protects the mechanism from being vandalised by superglue. It keeps the lock, the fittings and the cylinder in good condition and more importantly , operational. It also protects against rust. The Care Spray is Teflon based and has universal applications.

| | | |
|--------------|-------------------|-------------|
| DEGEM/CSPRAY | Geminy Care Spray | 50ml bottle |
|--------------|-------------------|-------------|

GEMINY

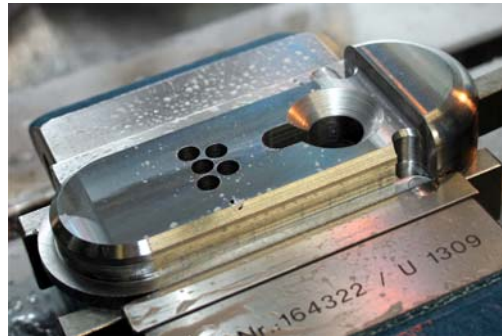


| | | |
|---------------|-------|------|
| CI/SfB | 31/59 | Xt 7 |
| February 2012 | | |



D&E Geminy Range

| | | |
|---------------|-------|------|
| CI/SfB | 31/59 | Xt 7 |
| February 2012 | | |



Sales: 01733 896123



P-1041

Fax: 01733 894466

E&OE

