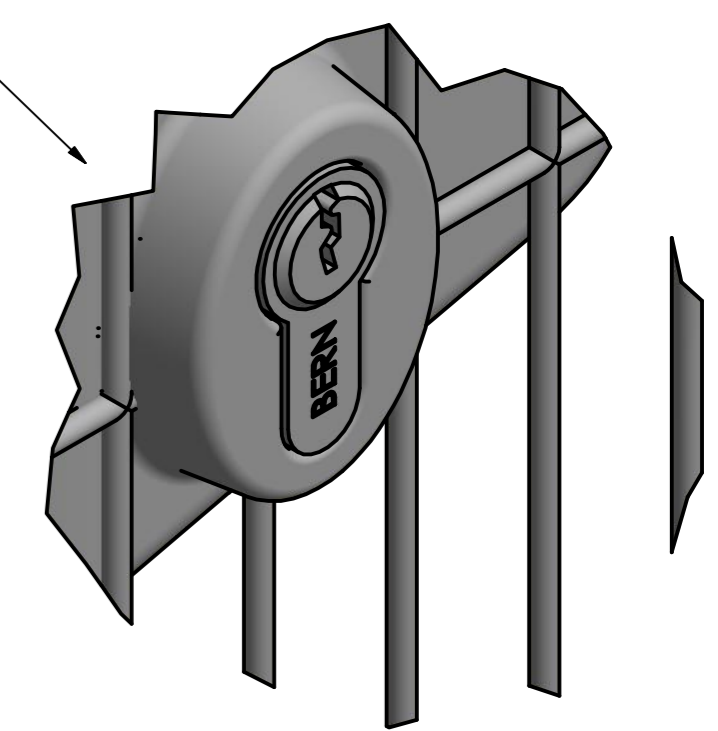
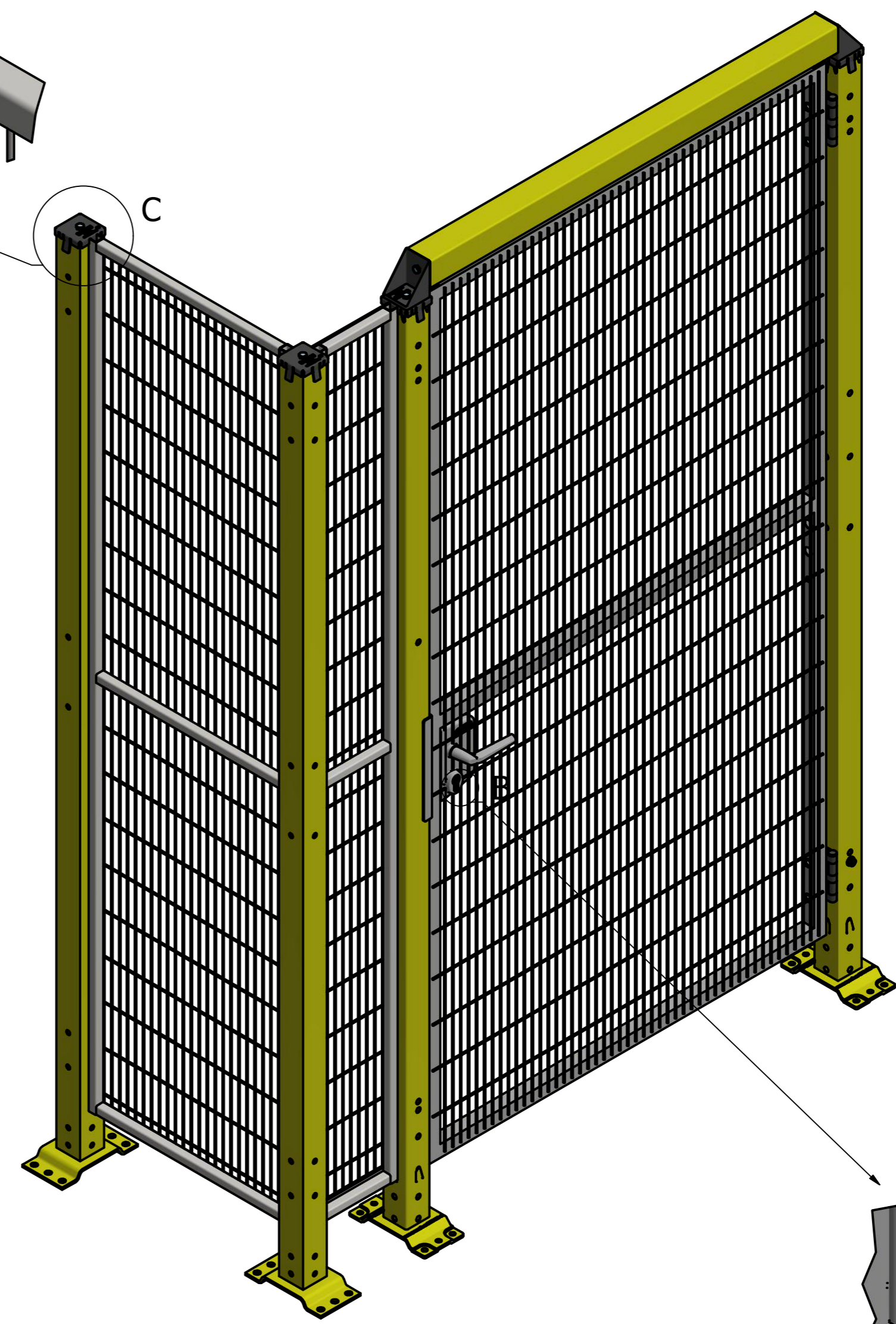
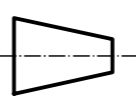
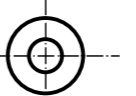


C (1:2)



B (2:1.5)

  <b>IF IN DOUBT ASK</b>	DRAWN BY Abdi	CHECK BY SJB	JOB No	DATE 13/11/2017	CUSTOMER	SCALE
	<b>SPONMECH</b> SAFETY SYSTEMS HAYSECH ROAD, HALESOWEN WEST MIDLANDS, B63 3PD			TITLE		ISSUE
	DRG No				ACCESS GUARD	A2