

**Body:** EN-GJS-400-18-LT (GGG-40.3), two way form for water and steam  
 Pressure range: PN 16, PN 25  
 Immersion length acc. to DIN EN 558, basic series 1  
 Flanges acc. to DIN EN 1092-2 type 21  
 Spindle sealing: spring-loaded PTFE-V-ring unit for media temperatures up to 250°C  
 Alternatively: graphite-packing for media temperatures up to 350°C  
 Internal parts: stainless steel, replaceable seat rings  
 Flow characteristic: equal percentage  
 Positioning ratio: 50:1  
 Leakage: < 0,01% Kvs

**Actuator:** with manual emergency operation and load dependent limit switches  
 Thrust: 2000 N  
 Power input: 12 VA  
 Alternatively: 4000 N / 28 VA (appendix ...c)  
 5500 N / 28 VA (appendix ...d)  
 Power supply: 230V/50...60Hz  
 Optionally: 115V/50...60Hz, 24V/50...60Hz, 24VDC  
 Motor rating standard acc. to DIN EN 60034-1: S1 – 100%  
 Protection class acc. to DIN EN 60529: IP65

**Accessories, special types:**  
 Add. limit switches load dependent (see page 49e)  
 Add. signal switches travel dependent (see page 49w)  
 Feedback potentiometer (see page 49f)  
 Integrated positioner (see page 49sr)  
 Integrated process controller (see page 49r)  
 Feedback signal 4-20mA / 0-10V  
 Actuator heater (on request)  
 Other positioning speed (on request)  
 Other Kvs- values (on request)  
 Weld-on ends (on request)  
 Flange drillings acc. to ANSI / JIS (on request)  
 Smaller DN (see page 4214/5red1)

**Order text:**  
 Motor control valve in two way form  
 EN-GJS-400-18-LT (GGG-40.3), PN . . , DN . . , Kvs . . .  
 Spindle sealing with PTFE-V-ring unit  
 Power supply . . . , closing pressure . . . bar  
 List-No. 421 . . . , accessories . . .

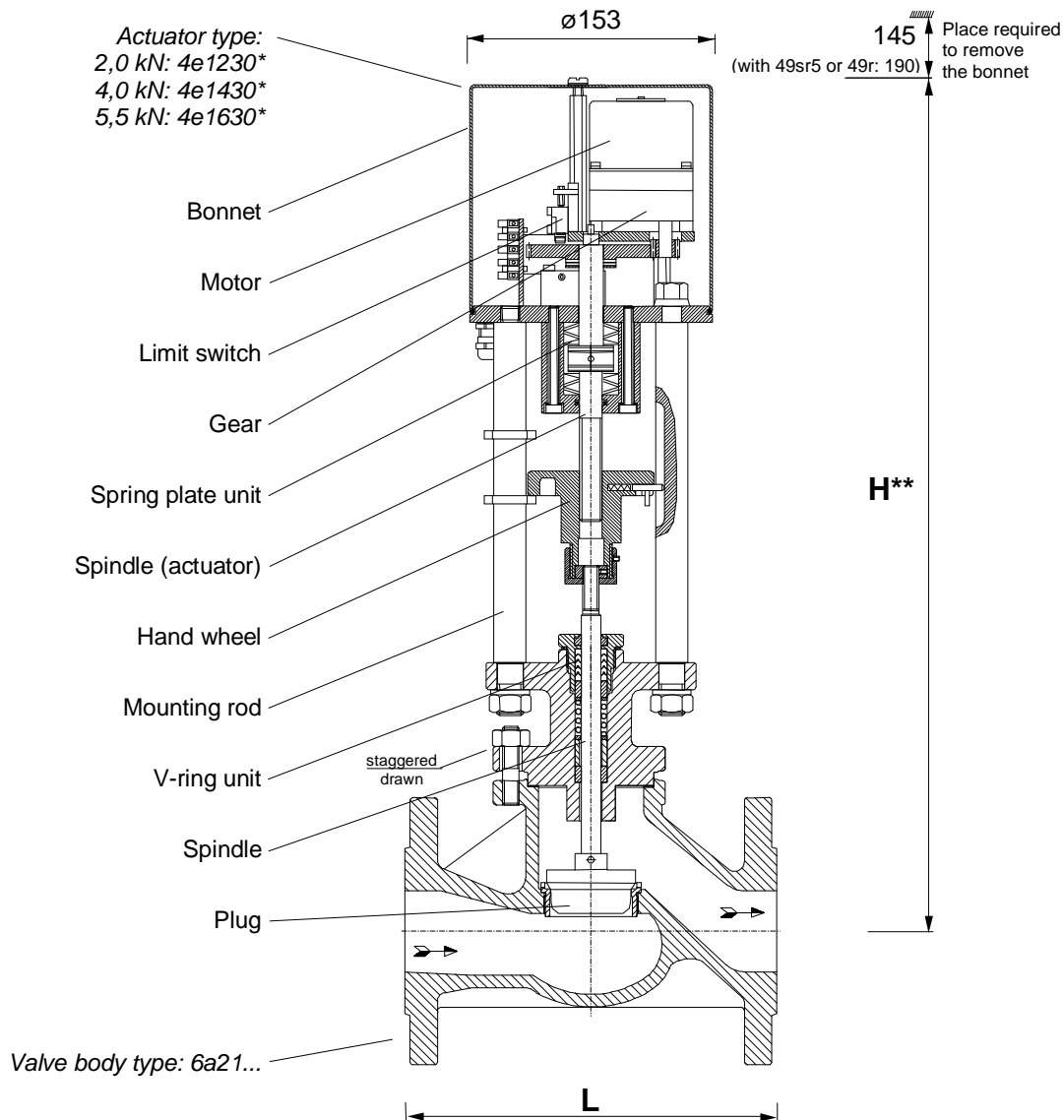


**Pressure-temperature ratings acc. to DIN EN 1092-2:**

by:	-10...120	150	200	250	300	350	°C*
PN 16	16	15,5	14,7	13,9	12,8	11,2	bar
PN 25	25	24,3	23	21,8	20	17,5	bar

\* = max. 250°C for spindle sealing with PTFE-V-ring unit

DN	List-No.		Kvs m³/h	Stroke mm	Pos. time sec	Closing pressure (bar)		
	PN 16	PN 25				2000N	4000N	5500N
65	421 406.	421 506.	63	30	99	3,4	9,1	13,4
65	421 456.	421 556.	40	20	66	6,6	16,0	23,1
65	421 476.	421 576.	25	20	66	10,8	25,0	
80	421 408.	421 508.	100	30	99	2,0	5,8	8,6
80	421 458.	421 558.	63	20	66	3,4	9,1	13,4
80	421 478.	421 578.	40	20	66	6,6	16,0	23,1
100	421 410.	421 510.	160	30	99	1,1	3,5	5,4
100	421 460.	421 560.	100	22	73	2,0	5,8	8,6
100	421 480.	421 580.	63	22	73	3,4	9,1	13,4
125	421 412.	421 512.	230	60	198	0,5	2,1	3,3
125	421 412._200	421 512._200	200	50	165	0,5	2,1	3,3
125	421 412._160	421 512._160	160	40	132	0,5	2,1	3,3
125	421 412._100	421 512._100	100	35	116	0,5	2,1	3,3
150	421 415.	421 515.	330	60	198		1,3	2,1
150	421 415._250	421 515._250	250	50	165		1,3	2,1
150	421 415._190	421 515._190	190	40	132		1,3	2,1
150	421 415._150	421 515._150	150	35	116		1,3	2,1



DN	65	80	100	125	150
Height H**	556	557	564	760	775
Length L	290	310	350	400	480
Weight kg	35	37	48	100	109

\* = only for DN 65-100; actuators for DN 125-150: 4e1466 (4kN) and 4e1666 (5,5kN)

\*\* = add. 45mm for actuators with positioner 49sr5 or controller 49r

**Electrical wiring:**

