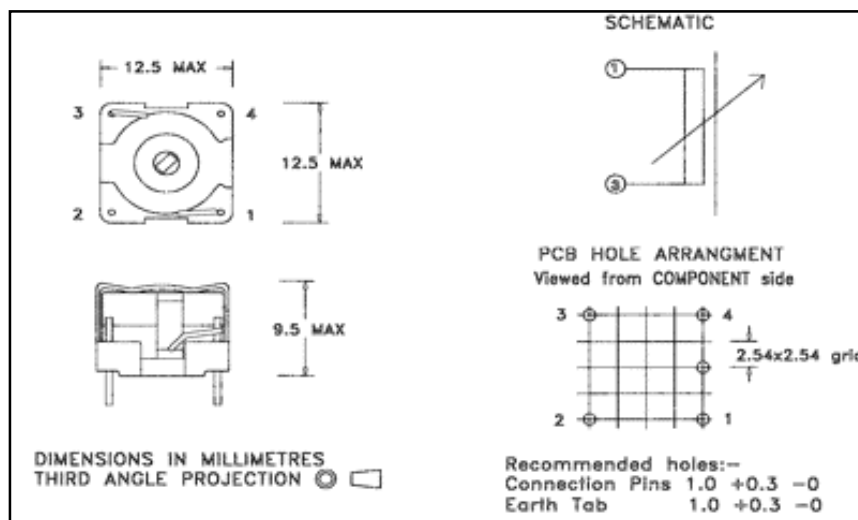


VARIABLE INDUCTOR

02902

Designed for the adjustment of system clock frequency when used with Mitel MH89790 devices.



Parameter	Conditions	Value
Inductance nominal	-	37.0 μ H
Minimum Inductance Adjustment Range	-	34.0-39.5 μ H
DC Resistance	-	Less than 0.5 Ω

Best

Information for guidance only, specification subject to change. © 2007 Best Windings Ltd.

Best Windings Ltd, Viking Works, 7 Bucklesham Road, Kirton, Ipswich, Suffolk, IP10 0NX, UK.

Telephone: +44 (0) 1394 448424

Fax: +44 (0) 1394 448430

Website: www.bestwindings.co.uk

Email: sales@bestwindings.co.uk