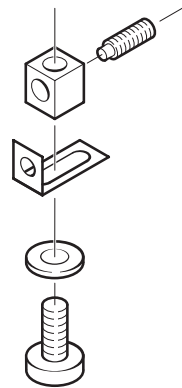
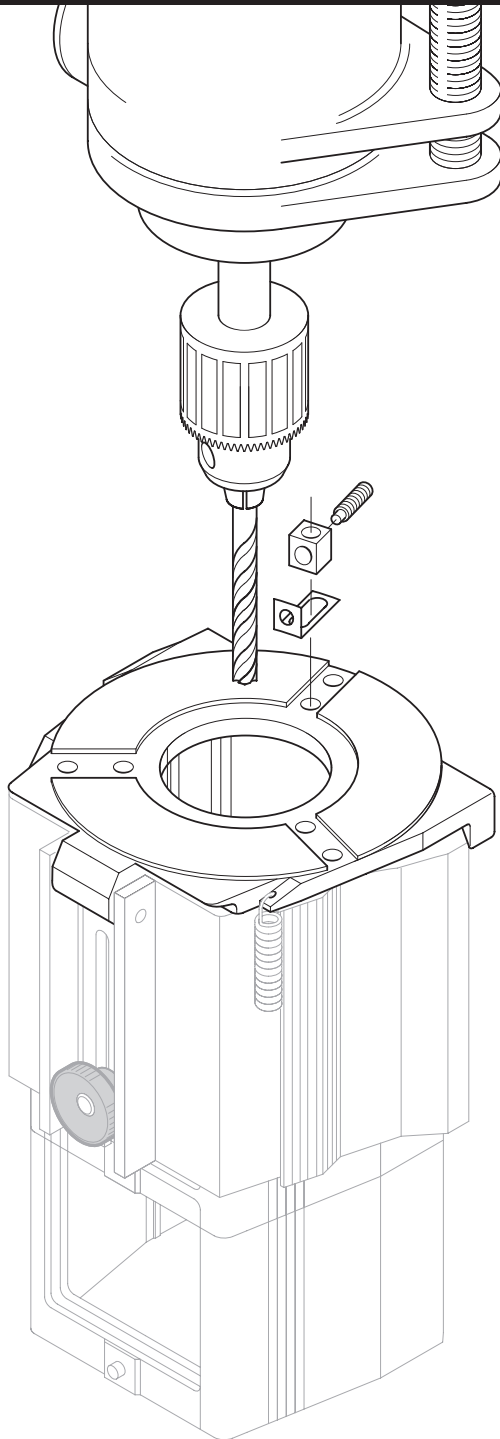
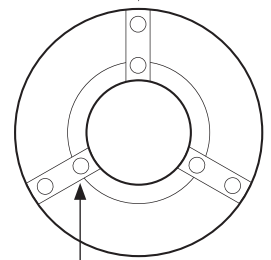


# Silvaflame-Cleervue Co Ltd

## MT/1/AJ. DRILLGUARD INSTRUCTIONS



OUTER - UP TO 90mm



INNER - 44mm-64mm

Measure the diameter of the non-rotating collar on the drill press, just above the drill chuck.

Fit pinch screws to attachment brackets.

Select the appropriate holes as indicated on the diagram and fix the attachment brackets to the guard top. (Use the counter sunk screws for large bores).

Refer to the Template (on reverse side) and trim to the required size, place the template on the guard top central to the bore and set brackets to the diameter of the collar and fully tighten.

This is best achieved with the guard on the bench and the top open.

Back off the pinch screws and push the guard fully onto the collar.

Hold firmly in position, and evenly tighten the pinch screws.

Periodically check all screws as work vibration can affect the clamping pressure.

Under aggressive vibration 5mm dimpling of the collar is recommended.

**European Community Design No. 413612**

**SILVAFLAME-CLEERVUE COMPANY LIMITED**

22, Park Street, Bridgtown, Cannock, Staffordshire, WS11 0BX. UK

**T: 01543 431060 F: 01543 509140**

e-mail: [enquiries@silvaflame.com](mailto:enquiries@silvaflame.com) / [silvaflame@cleervue.com](mailto:silvaflame@cleervue.com)

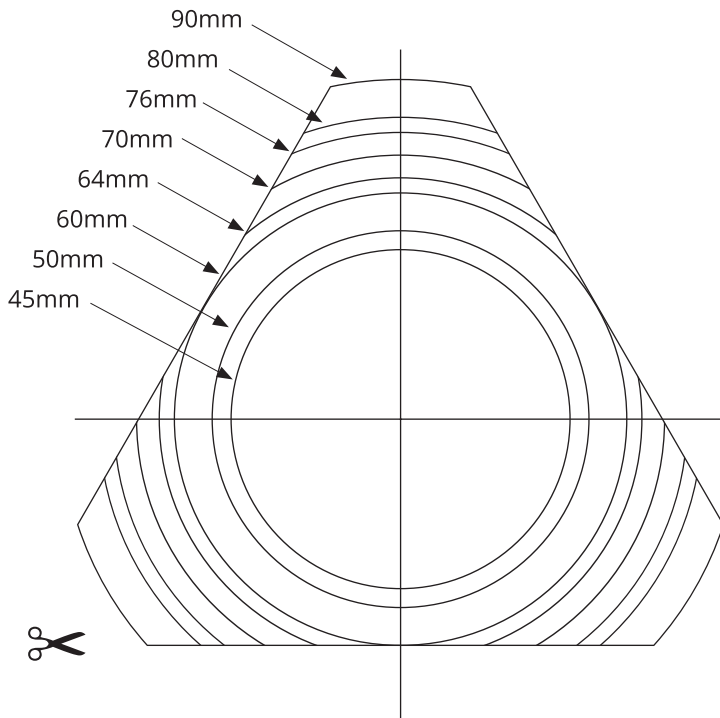
**Manufacturers of MACHINERY SAFETY GUARDS**



British made for  
over 70 years



# METRIC TEMPLATE (MM)



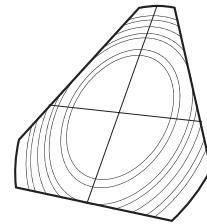
TRIM TEMPLATE TO APPROX DIAMETER OF  
NON-ROTATING COLLAR.

PLACE CENTRAL ON GUARD TOP.

ADJUST FIXING BRACKETS TO MEET TEMPLATE.

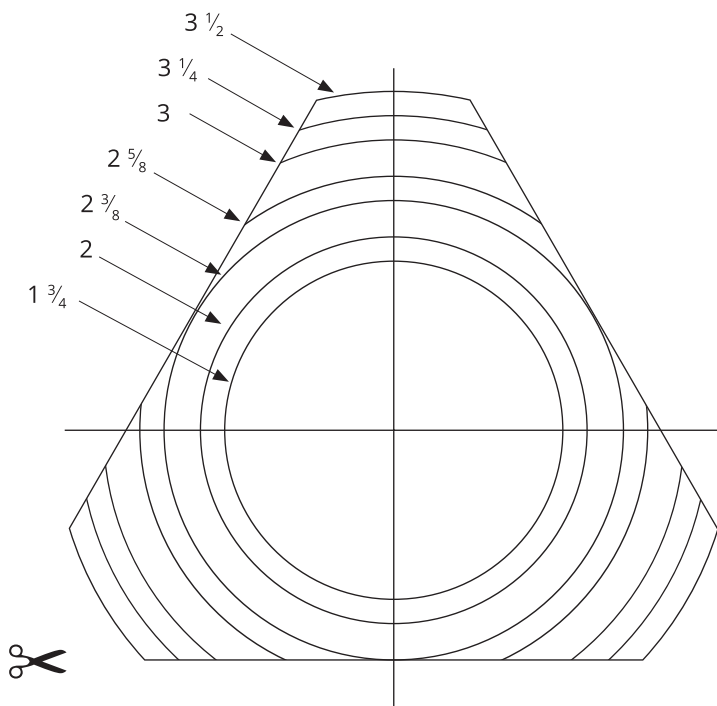
FULLY TIGHTEN BRACKET ATTACHMENT SCREWS.

TIGHTEN PINCH SCREWS ON TO COLLAR.



[www.silvaflame.co.uk](http://www.silvaflame.co.uk) [www.silvaflame.com](http://www.silvaflame.com) [www.cleervue.co.uk](http://www.cleervue.co.uk)

# IMPERIAL TEMPLATE (INCHES)



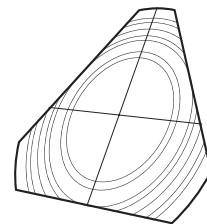
TRIM TEMPLATE TO APPROX DIAMETER OF  
NON-ROTATING COLLAR.

PLACE CENTRAL ON GUARD TOP.

ADJUST FIXING BRACKETS TO MEET TEMPLATE.

FULLY TIGHTEN BRACKET ATTACHMENT SCREWS.

TIGHTEN PINCH SCREWS ON TO COLLAR.



100% Scale: Inches