



Signage

Specials

Finials

Street names

Fingers

Notice boards

Columns

Hanging baskets

FINGER POSTS

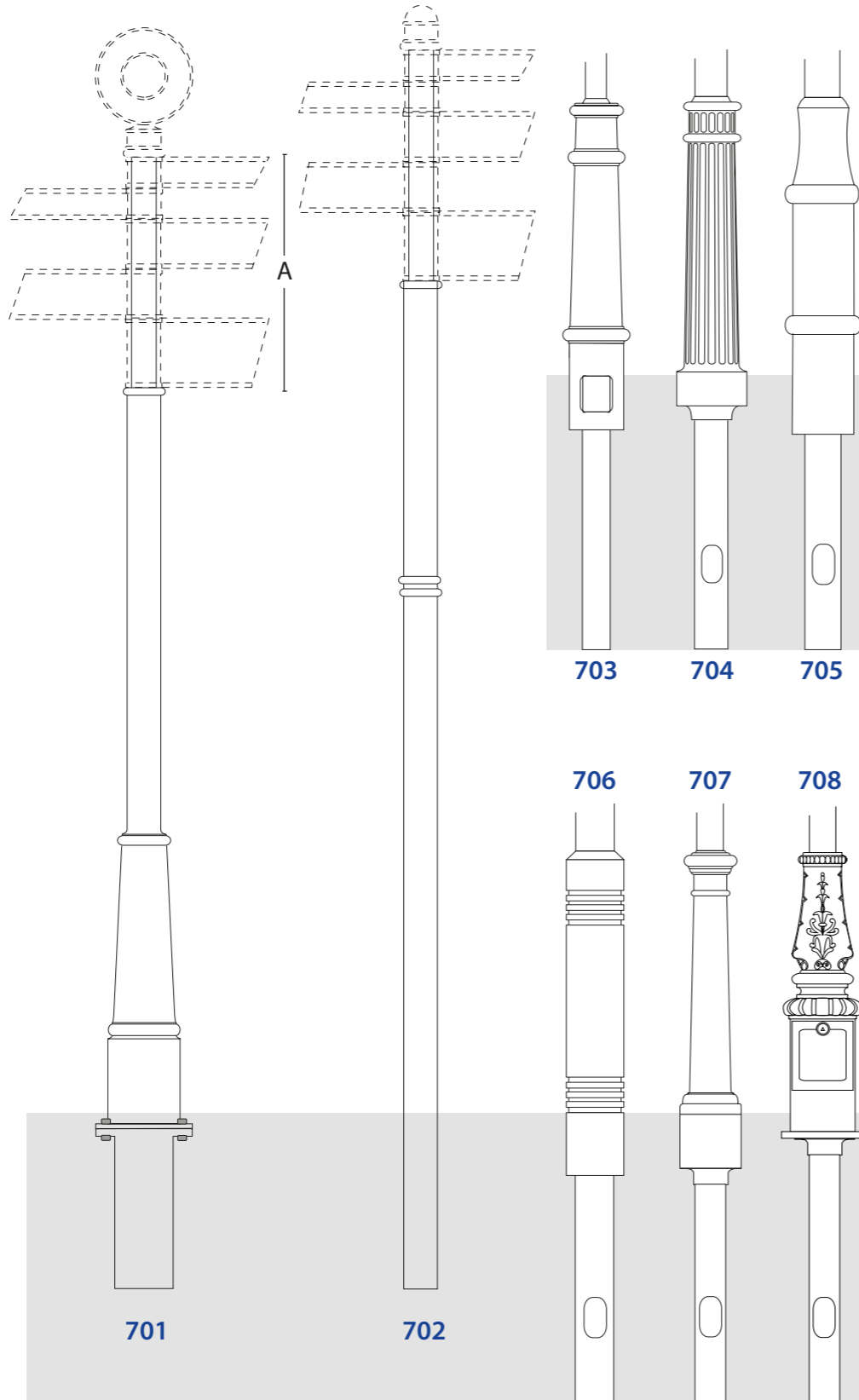
The finger post is a well proven means of giving clear directions to pedestrians.

The styles available are suitable for all locations. Type 701 is fully cast, others feature a cast/steel base with a steel column.

All posts support fingers of varying sizes and a choice of finials. Power access doors and flanged bases are optional.

Within a scheme it is often desirable to make all columns the same height. To achieve this, spacer rings are available so that dimension 'A' may remain constant regardless of the number or size of fingers chosen.

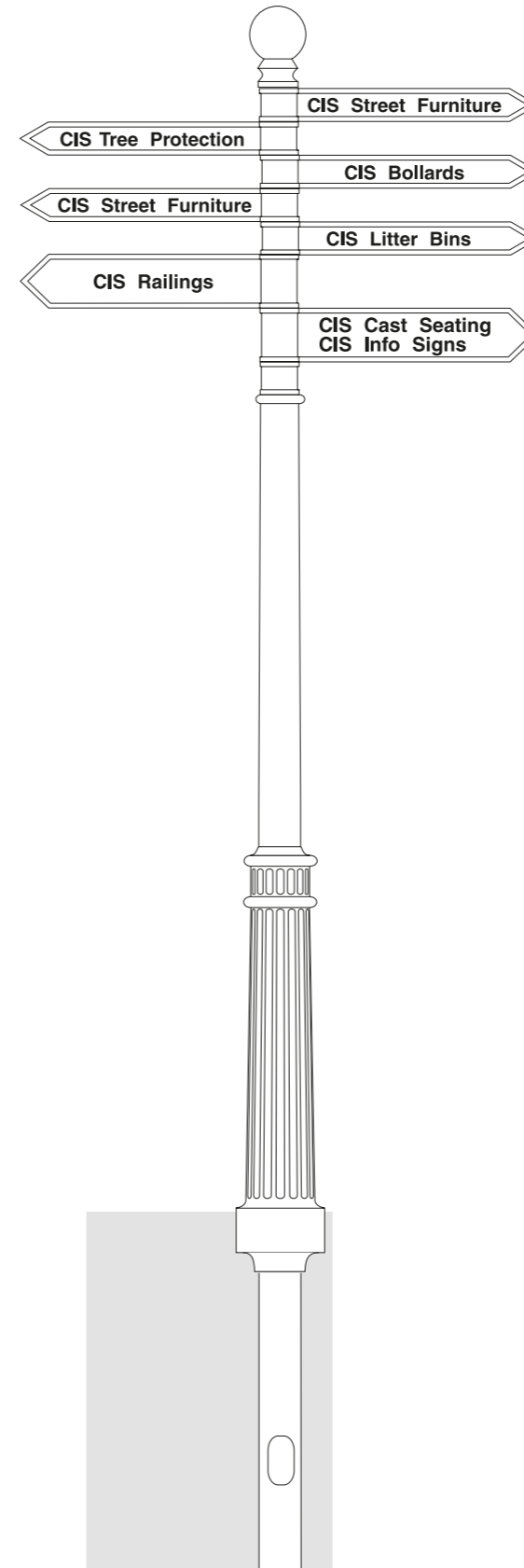
We can also provide half boss interlocking fingers to reduce the overall height. However, this option should only be used when absolutely necessary because of reduced strength.



Information Signs

Information Signs

FINGER POSTS



FINGERS

Cast aluminium fingers are in three sizes to take one, two or three lines of text. Any combination may be used together. Our sales staff can help decide the required finger based on length and number of words/symbols etc.

Finger arms can be manufactured with split bosses to facilitate clamping to existing posts of most types.

SPACERS

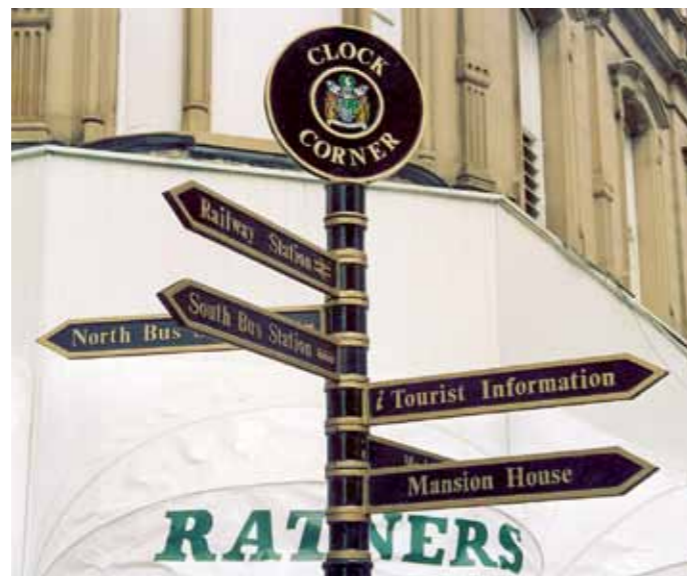
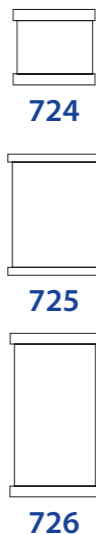
Within a scheme it is often desirable to make all columns the same height. To achieve this spacer rings are available so column height remains constant regardless of the number or size of fingers chosen.

Spacer rings are often used on schemes where it may be necessary to add finger arms at a later date.

We recommend that you always use a minimum of two rings per column. These can be placed at the top and base of fingers. If this is done throughout a scheme then in years to come modifications can be made quickly and easily.

711 714
712 715
713
721
722
723

Product dimensions		
	overall width mm	height mm
711	800	95
712	800	155
713	800	215
714	800	95
715	800	155
721	800	95
722	800	155
723	800	215
724	-	95
725	-	155
726	-	215



RATNERS

TOURIST INFORMATION

MANSION HOUSE

NORTH BUS

SOUTH BUS STATION

RAILWAY STATION

CLOCK CORNER

TOURIST INFORMATION

MANSION HOUSE

NORTH BUS

SOUTH BUS STATION

RAILWAY STATION

CLOCK CORNER

TOURIST INFORMATION

MANSION HOUSE

NORTH BUS

SOUTH BUS STATION

RAILWAY STATION

CLOCK CORNER

TOURIST INFORMATION

MANSION HOUSE

NORTH BUS

SOUTH BUS STATION

RAILWAY STATION

CLOCK CORNER

TOURIST INFORMATION

MANSION HOUSE

NORTH BUS

SOUTH BUS STATION

RAILWAY STATION

CLOCK CORNER

TOURIST INFORMATION

MANSION HOUSE

NORTH BUS

SOUTH BUS STATION

RAILWAY STATION

CLOCK CORNER

TOURIST INFORMATION

MANSION HOUSE

NORTH BUS

SOUTH BUS STATION

RAILWAY STATION

CLOCK CORNER

TOURIST INFORMATION

MANSION HOUSE

NORTH BUS

SOUTH BUS STATION

RAILWAY STATION

CLOCK CORNER

TOURIST INFORMATION

MANSION HOUSE

NORTH BUS

SOUTH BUS STATION

RAILWAY STATION

CLOCK CORNER

TOURIST INFORMATION

MANSION HOUSE

NORTH BUS

SOUTH BUS STATION

RAILWAY STATION

CLOCK CORNER

TOURIST INFORMATION

MANSION HOUSE

NORTH BUS

SOUTH BUS STATION

RAILWAY STATION

CLOCK CORNER

TOURIST INFORMATION

MANSION HOUSE

NORTH BUS

SOUTH BUS STATION

RAILWAY STATION

CLOCK CORNER

TOURIST INFORMATION

MANSION HOUSE

NORTH BUS

SOUTH BUS STATION

RAILWAY STATION

CLOCK CORNER

TOURIST INFORMATION

MANSION HOUSE

NORTH BUS

SOUTH BUS STATION

RAILWAY STATION

CLOCK CORNER

TOURIST INFORMATION

MANSION HOUSE

NORTH BUS

SOUTH BUS STATION

RAILWAY STATION

CLOCK CORNER

TOURIST INFORMATION

MANSION HOUSE

NORTH BUS

SOUTH BUS STATION

RAILWAY STATION

CLOCK CORNER

TOURIST INFORMATION

MANSION HOUSE

NORTH BUS

SOUTH BUS STATION

RAILWAY STATION

CLOCK CORNER

TOURIST INFORMATION

MANSION HOUSE

NORTH BUS

SOUTH BUS STATION

RAILWAY STATION

CLOCK CORNER

TOURIST INFORMATION

MANSION HOUSE

NORTH BUS

SOUTH BUS STATION

RAILWAY STATION

CLOCK CORNER

TOURIST INFORMATION

MANSION HOUSE

NORTH BUS

SOUTH BUS STATION

RAILWAY STATION

CLOCK CORNER

TOURIST INFORMATION

MANSION HOUSE

NORTH BUS

SOUTH BUS STATION

RAILWAY STATION

CLOCK CORNER

TOURIST INFORMATION

MANSION HOUSE

NORTH BUS

SOUTH BUS STATION

RAILWAY STATION

CLOCK CORNER

TOURIST INFORMATION

MANSION HOUSE

NORTH BUS

SOUTH BUS STATION

RAILWAY STATION

CLOCK CORNER

TOURIST INFORMATION

MANSION HOUSE

NORTH BUS

SOUTH BUS STATION

RAILWAY STATION

CLOCK CORNER

TOURIST INFORMATION

MANSION HOUSE

NORTH BUS

SOUTH BUS STATION

RAILWAY STATION

CLOCK CORNER

TOURIST INFORMATION

MANSION HOUSE

NORTH BUS

SOUTH BUS STATION

RAILWAY STATION

CLOCK CORNER

TOURIST INFORMATION

MANSION HOUSE

NORTH BUS

SOUTH BUS STATION

RAILWAY STATION

CLOCK CORNER

TOURIST INFORMATION

MANSION HOUSE

NORTH BUS

SOUTH BUS STATION

RAILWAY STATION

CLOCK CORNER

TOURIST INFORMATION

MANSION HOUSE

NORTH BUS

SOUTH BUS STATION

RAILWAY STATION

CLOCK CORNER

TOURIST INFORMATION

MANSION HOUSE

NORTH BUS

SOUTH BUS STATION

RAILWAY STATION

CLOCK CORNER

TOURIST INFORMATION

MANSION HOUSE

NORTH BUS

SOUTH BUS STATION

RAILWAY STATION

CLOCK CORNER

TOURIST INFORMATION

MANSION HOUSE

NORTH BUS

SOUTH BUS STATION

RAILWAY STATION

CLOCK CORNER

TOURIST INFORMATION

MANSION HOUSE

NORTH BUS

SOUTH BUS STATION

RAILWAY STATION

CLOCK CORNER

TOURIST INFORMATION

MANSION HOUSE

NORTH BUS

SOUTH BUS STATION

RAILWAY STATION

CLOCK CORNER

TOURIST INFORMATION

MANSION HOUSE

NORTH BUS

SOUTH BUS STATION

RAILWAY STATION

CLOCK CORNER

TOURIST INFORMATION

MANSION HOUSE

NORTH BUS

SOUTH BUS STATION

RAILWAY STATION

CLOCK CORNER

TOURIST INFORMATION

MANSION HOUSE

NORTH BUS

SOUTH BUS STATION

RAILWAY STATION

CLOCK CORNER

TOURIST INFORMATION

MANSION HOUSE

NORTH BUS

SOUTH BUS STATION

RAILWAY STATION

CLOCK CORNER

TOURIST INFORMATION

MANSION HOUSE

NORTH BUS

SOUTH BUS STATION

RAILWAY STATION

CLOCK CORNER

TOURIST INFORMATION

MANSION HOUSE

NORTH BUS

SOUTH BUS STATION

RAILWAY STATION

CLOCK CORNER

TOURIST INFORMATION

MANSION HOUSE

NORTH BUS

SOUTH BUS STATION

RAILWAY STATION

CLOCK CORNER

TOURIST INFORMATION

MANSION HOUSE

NORTH BUS

SOUTH BUS STATION

RAILWAY STATION

CLOCK CORNER

TOURIST INFORMATION

MANSION HOUSE

NORTH BUS

SOUTH BUS STATION

RAILWAY STATION

CLOCK CORNER

TOURIST INFORMATION

MANSION HOUSE

NORTH BUS

SOUTH BUS STATION

RAILWAY STATION

CLOCK CORNER

TOURIST INFORMATION

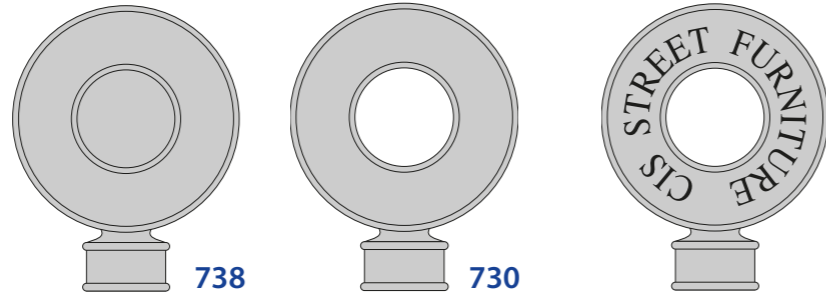
Information Signs

FINIALS

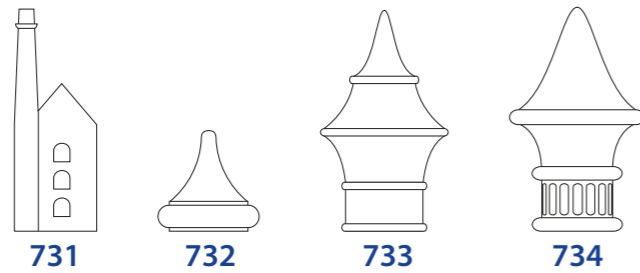
Columns for finger posts and notice boards may be topped by a variety of completely interchangeable shapes and sizes of finial.

731 is an example that has been designed by a customer to convey a regional identity.

Finials 734 to 737 are designed to complement popular styles of vehicle control bollards.

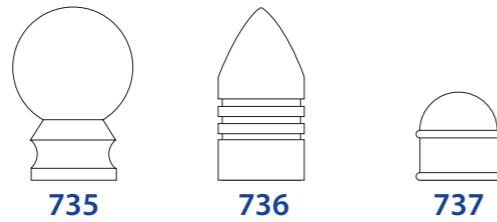


The 730 and 738 finials may be used with or without lettering.



Product dimensions

	max width mm	max height mm
730	300	380
731	110	305
732	135	135
733	170	295
734	180	300
735	160	230
736	115	225
737	115	120
738	300	380



Information Signs

SPECIALS



The Redhill town sign was particularly challenging. The design blends pure signage with fabrication work to produce these gateway features. These signs can be found at all entrances to the town centre.

Finger columns formed the basis for a small information plaque for the London borough of Southwark. A special casting was made to hold plaques around the finger column base. These can be found dotted along the River Thames.



Signage is a feature customised within many schemes. CIS Street Furniture is able to work with clients in order to create many stunning designs, from simple hanging baskets to major town centre signage.



STREET NAMES

These traditional cast street nameplates are manufactured from cast aluminium (to give more definition) and are much more durable than pressed steel and other alternative materials. With simple maintenance and the occasional re-paint they will last a lifetime.

Signs can be wall mounted, post mounted or guardrail mounted. Space can be provided for sponsorship or council logos and crests.



Information Signs

HANGING BASKET COLUMNS

A brilliant way of adding colour to town centres, esplanades etc. is the use of hanging basket columns. A few of these dotted around will liven up any town centre.

The range of columns available matches those used as finger columns, therefore it is possible to use a bollard base to suit other items within a scheme.

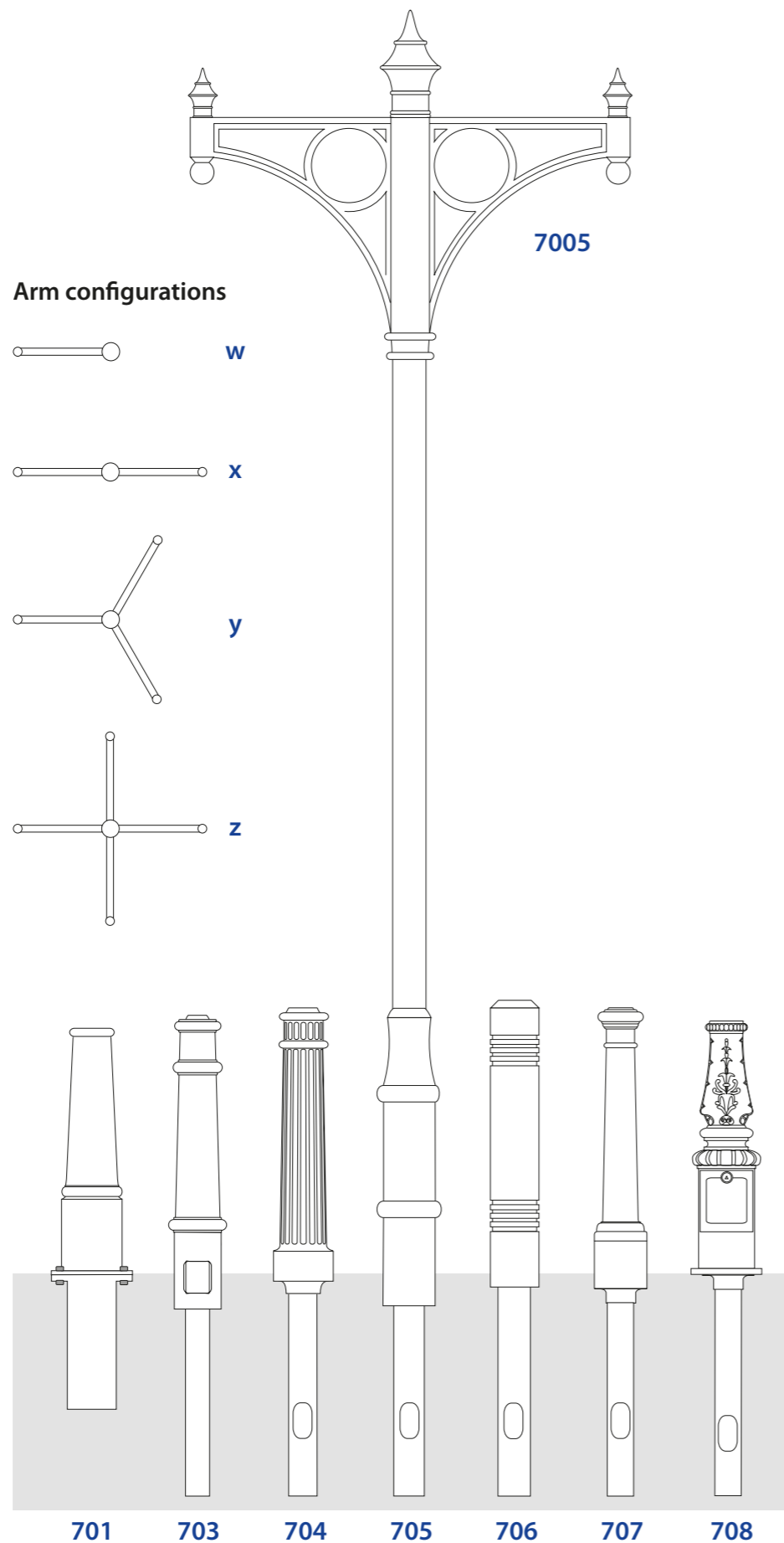
Standard brackets are manufactured from ductile iron or steel and can be especially designed if required.

Columns are available with or without self-watering systems. A choice of finial is also offered to suit.

All columns (except 701) are of a composite design and have steel on their core materials. Embellishments are only added as a decorative feature and are not structural.



7005

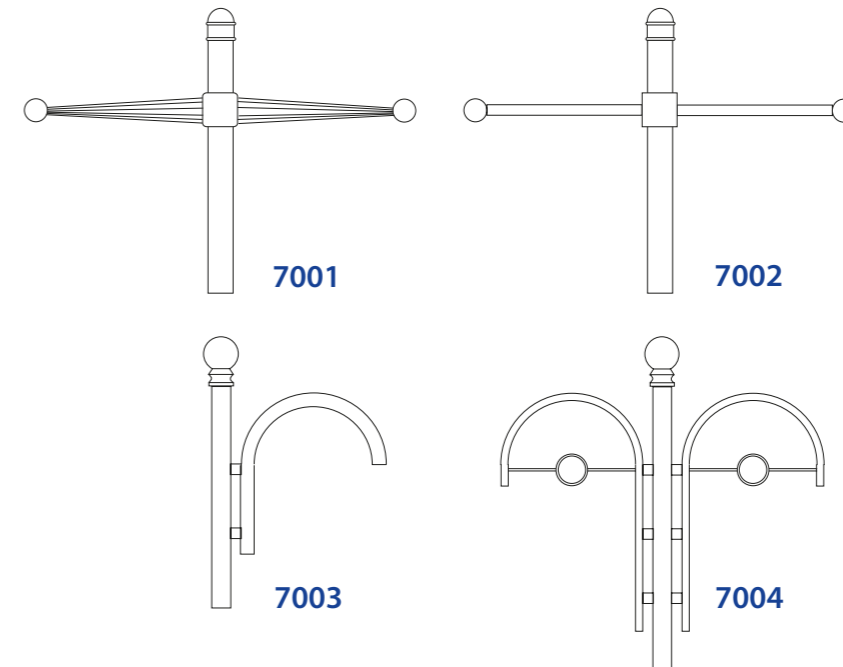


Information Signs

HANGING BASKET COLUMNS

Hanging bracket outreach brackets 7003 - 7005 are equally suitable for wall mounting to add to your design versatility.

For ordering codes please use the column reference number followed by the finial, bracket and arm configuration numbers e.g. 701/734/7001/x.



7005



7005



7005

INFORMATION BOARDS

As permanent features designed to attract attention, notice boards should be easy to locate but not clash with their surroundings.

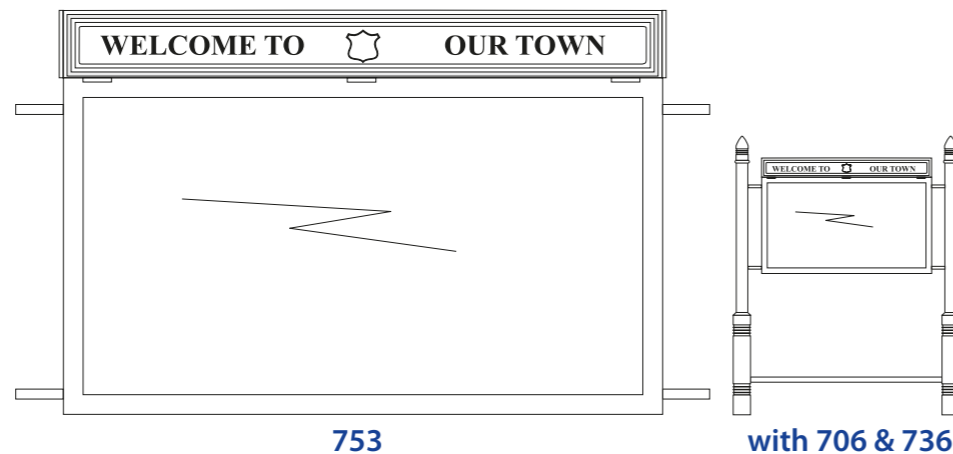
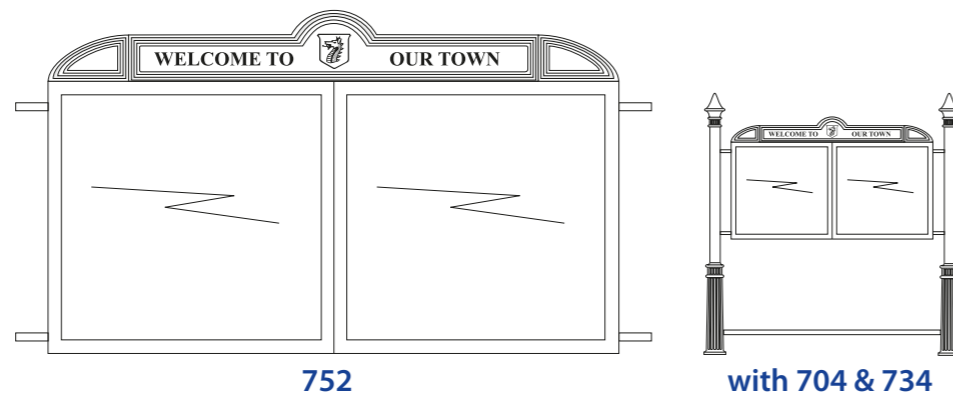
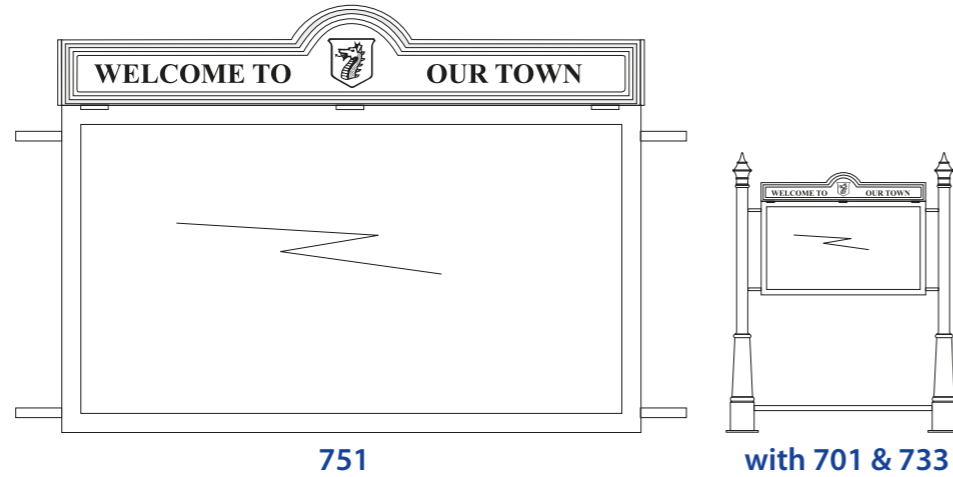
751 can be made single or double sided and includes a customised header board. Wording, logos and crests can be added to personalise boards to your design. A single sheet hinged opening door is supplied for quick and easy poster maintenance. Locks are provided with common keys for easy access.

Design type 752 has two hinged opening doors giving a larger viewing area. It also shares the same features as the 751 design.

Type 753 offers all the benefits of 751 but with a simplified header board.

All boards are supplied as standard with a tapping rail. This assists the visually impaired in finding their way around such potentially dangerous obstacles.

Information Signs



Information Signs

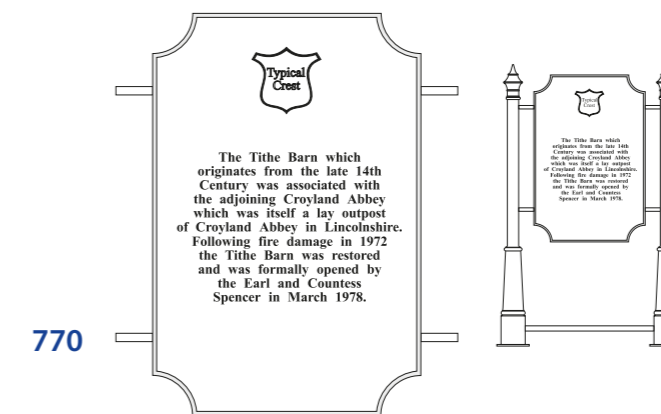
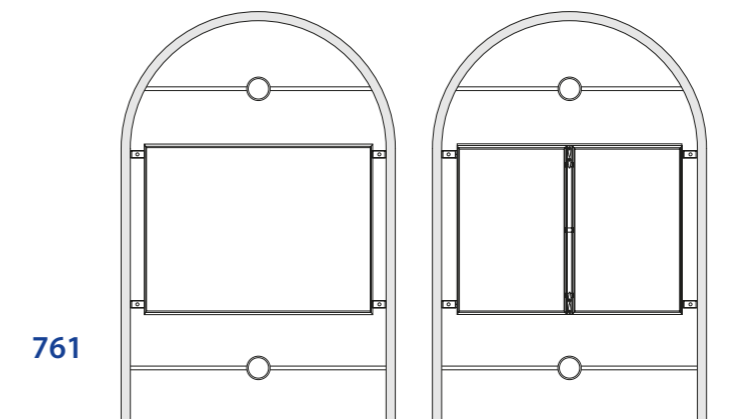
INFORMATION BOARDS

Choices of columns are available to suit and can be viewed on page 7.2 of this section of the catalogue. A selection of optional finials are available and are shown on page 7.6.

All boards can be designed to accommodate internal illumination. Our sales office can offer advice regarding design and price.

Board type 761 is of a somewhat different design to those preceding. Its simple but elegant lines would be more suited to a modern environment than those shown on the previous page.

The 770 notice board is fully cast and can incorporate text, logos, crests, raised maps or tourist information. There are no doors, as this board is designed to be fully painted with any raised areas (i.e. crests, lettering etc.) finished in a contrasting colour.





CIS Street Furniture Ltd
Home Farm
Shere Road
Albury
Guildford
GU5 9BL

T: 01483 203388
F: 01483 229088

E: sales@cis-streetfurniture.co.uk

www.cis-streetfurniture.co.uk

7.12

Fixings

All fixing details and foundations are purely advisory. Ground and service conditions may vary locally. We advise you to consult a structural engineer if in any doubt.

In line with our policy of continual improvement, we reserve the right to change, without prior notice, any of the data contained in this publication. The information given is believed to be correct at the time of printing.

CIS Street Furniture is a trading name of The Cast Iron Company Limited. All rights reserved. Neither whole nor part of this publication may be copied without the written permission of the publishers. The designs are the property of The Cast Iron Company Limited and may not be reproduced without express permission.

© Copyright 2011