



Bollards  
Columns  
Lanterns  
Accessories

# Lighting

**COLUMNS**

Lighting forms an essential part of many enhancement schemes. Lighting generally takes two forms. One is the functional column and luminaires, where design may not be of importance, but specification and price are. The alternative would be decorative lighting. This is designed to be visually stimulating but to give similar levels of performance. Almost all of the designs shown in this brochure are suitable for roadside illumination.

Lighting columns 601 and 602 are manufactured from galvanised steel and are 5m high as standard.



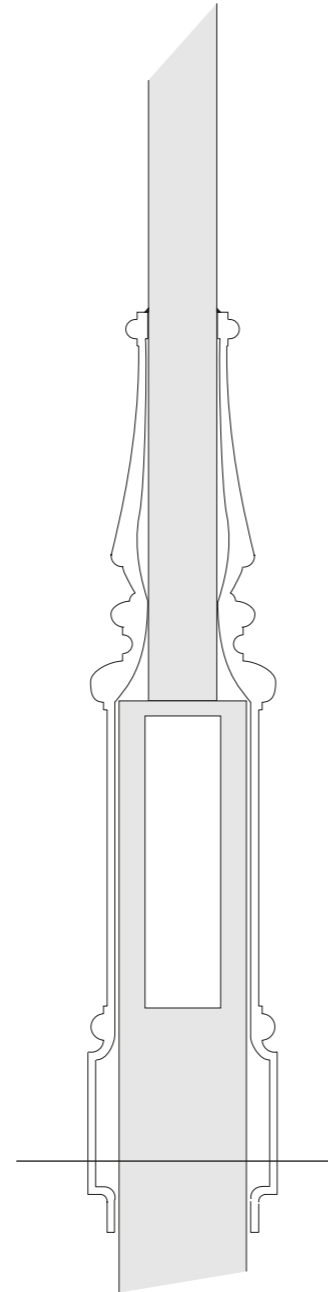
613 + 630



601



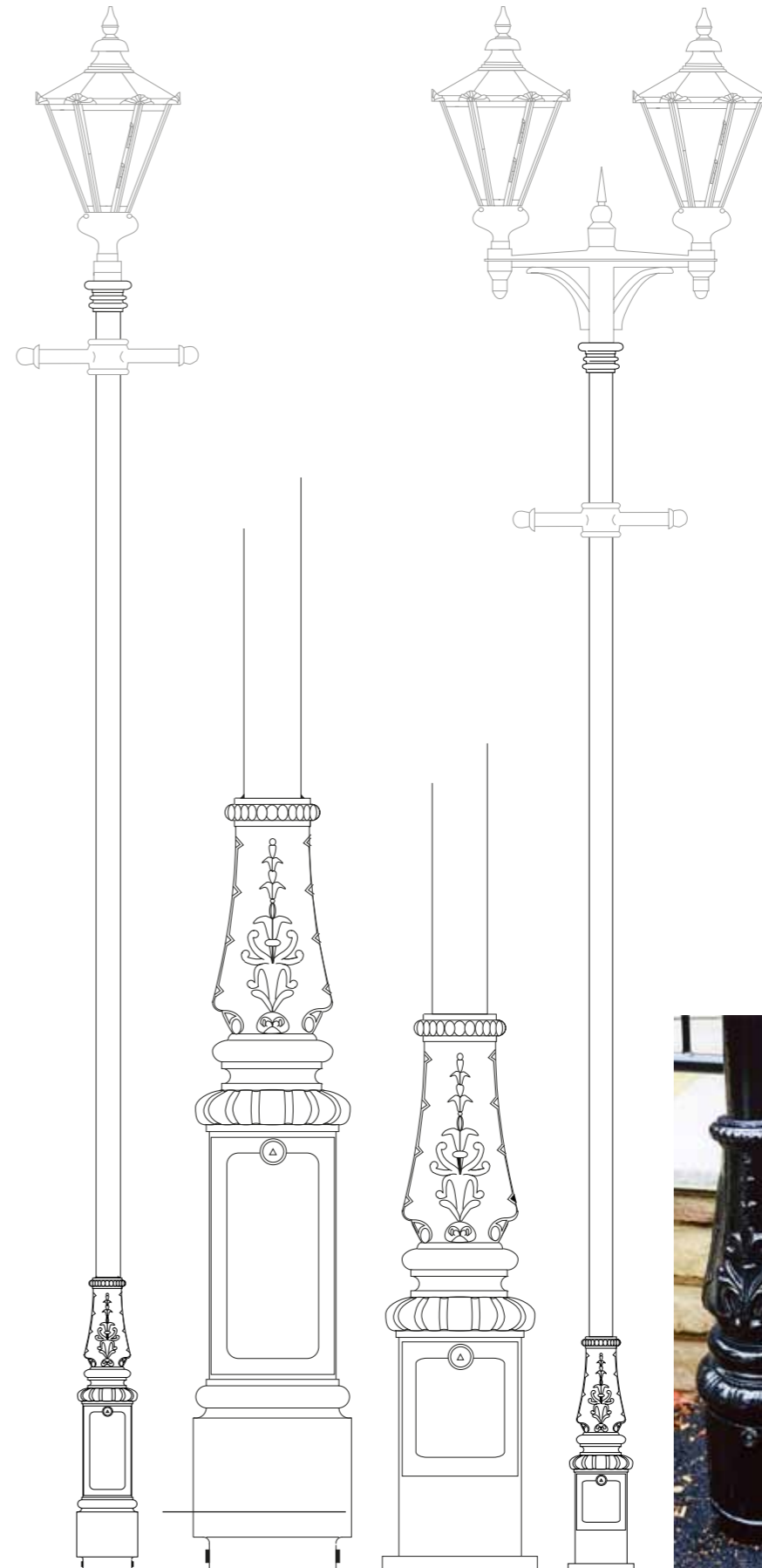
602



Lighting columns from 603 onwards are constructed from a galvanised steel root, base and column assembly with a fully sealed and finished cast iron decorative base. The column height can be specified, usually between 3m and 6m.

**Lighting**

**Lighting**



603

604



603 + 630



603 + 630

**COLUMNS**

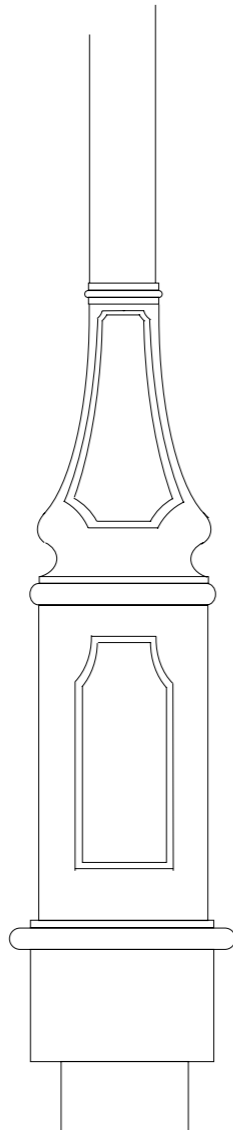
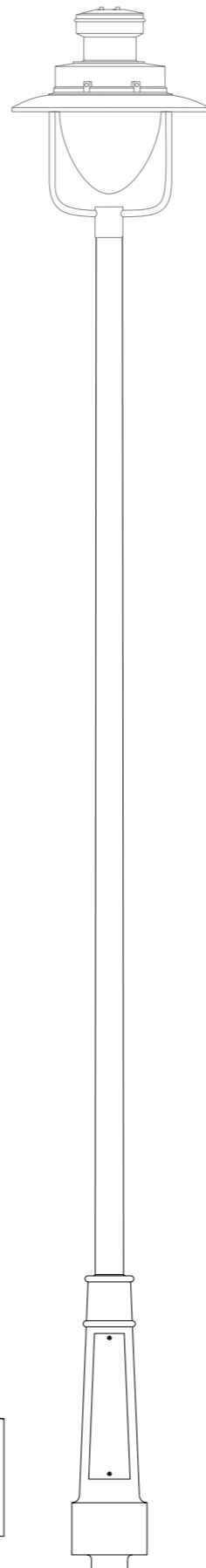
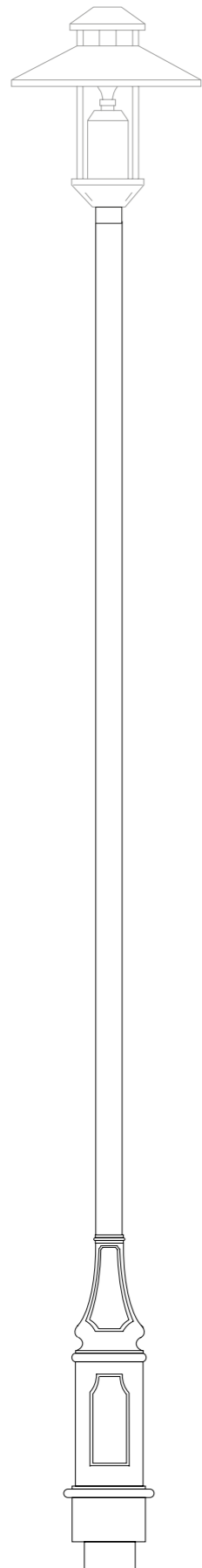


630

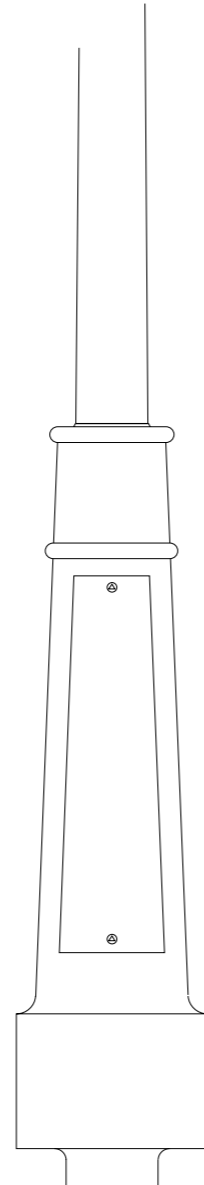


609 + 648 + 675

# Lighting

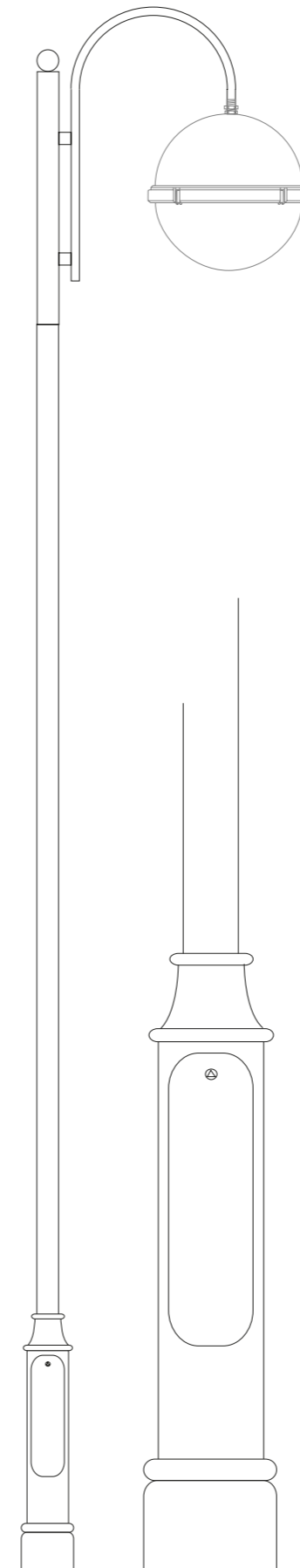


605

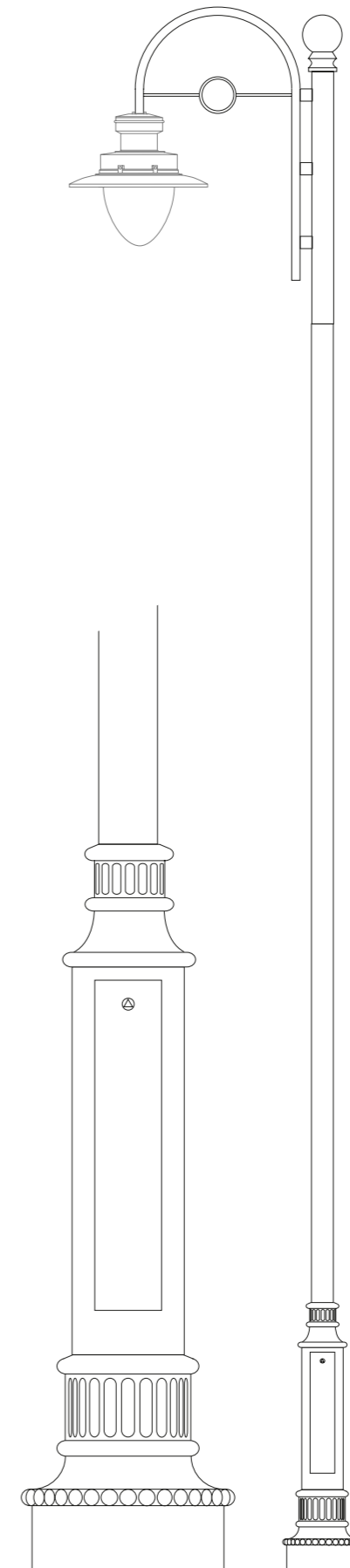


606

# Lighting



607



608

All column designs have been carefully chosen to match and blend with other forms of furniture, giving a seamless look, even in the most demanding of developments.



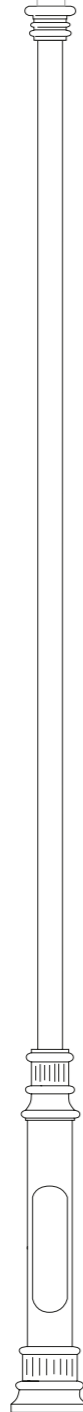
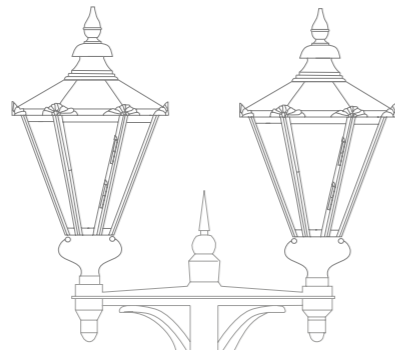
607



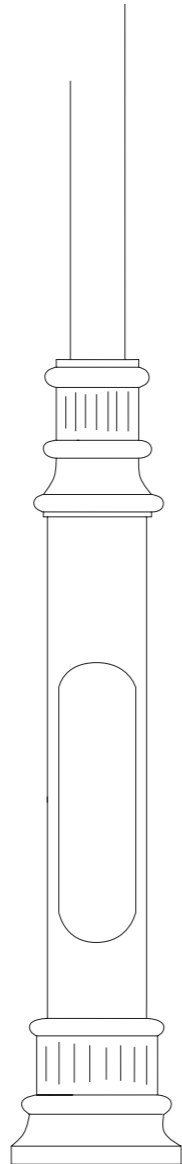
613 + 649 + 678



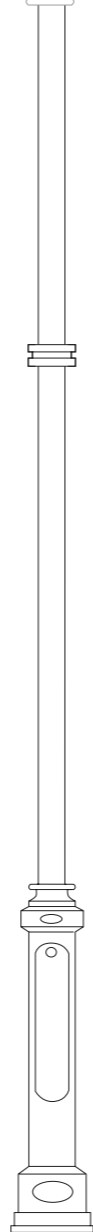
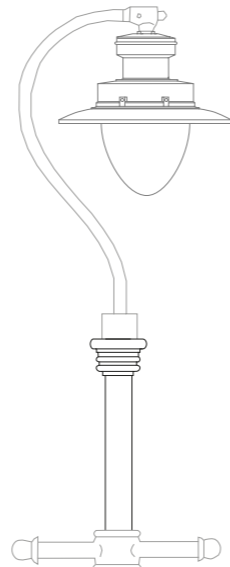
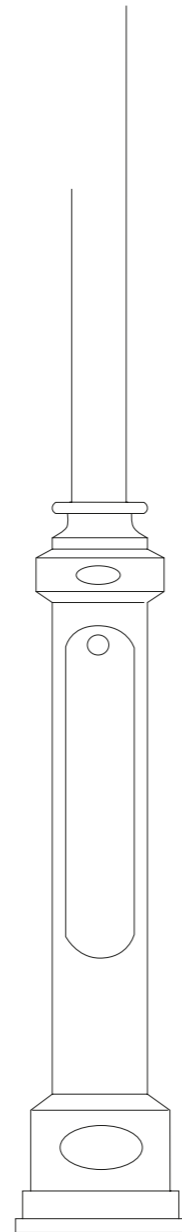
613 + 633



609

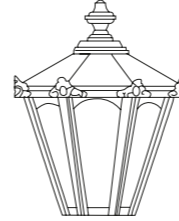


613

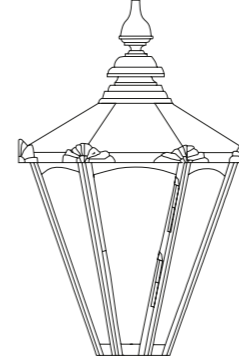


# Lighting

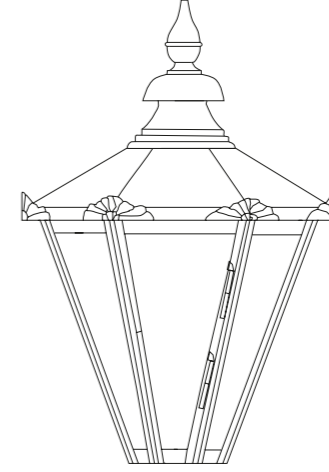
# Lighting



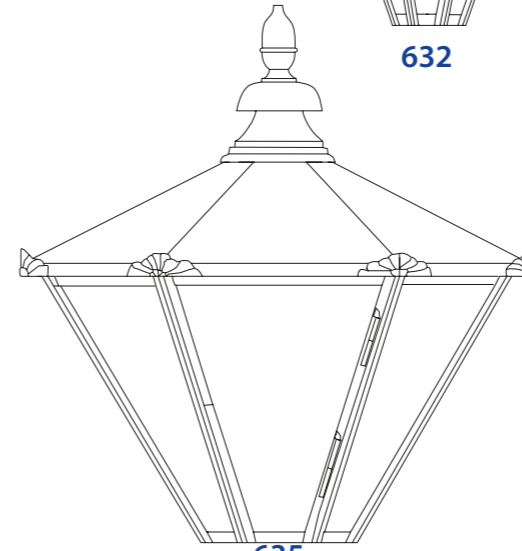
631



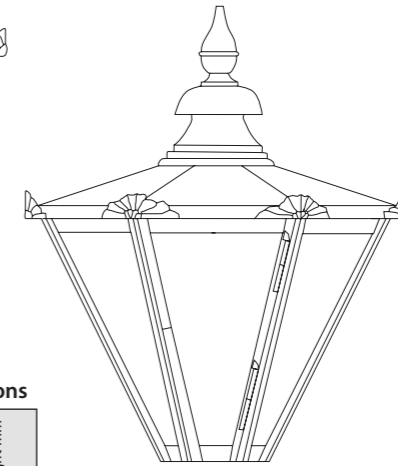
632



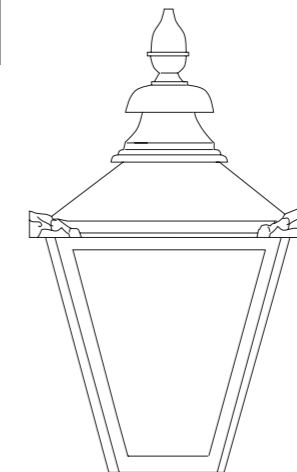
633



635



634



630

Product dimensions

	width mm	height mm
631	280	420
632	380	700
633	540	850
634	670	810
635	900	970
630	495	850

Material & finish availability

	631 - 635	630
Copper	✓	✓
Brass	✓	✓
Stainless steel	✓	X
Natural (unlacquered)	✓	✓
Polished & clear stoved lacquer	✓	✓
Gloss black	✓	✓
Antique	✓	X
BS/RAL colours	✓	✓
Acrylic glazing - clear,	✓	✓
Acrylic glazing - frosted, tinted	✓	X
Polycarbonate glazing - clear	✓	✓
Polycarbonate glazing - opal	✓	X



633



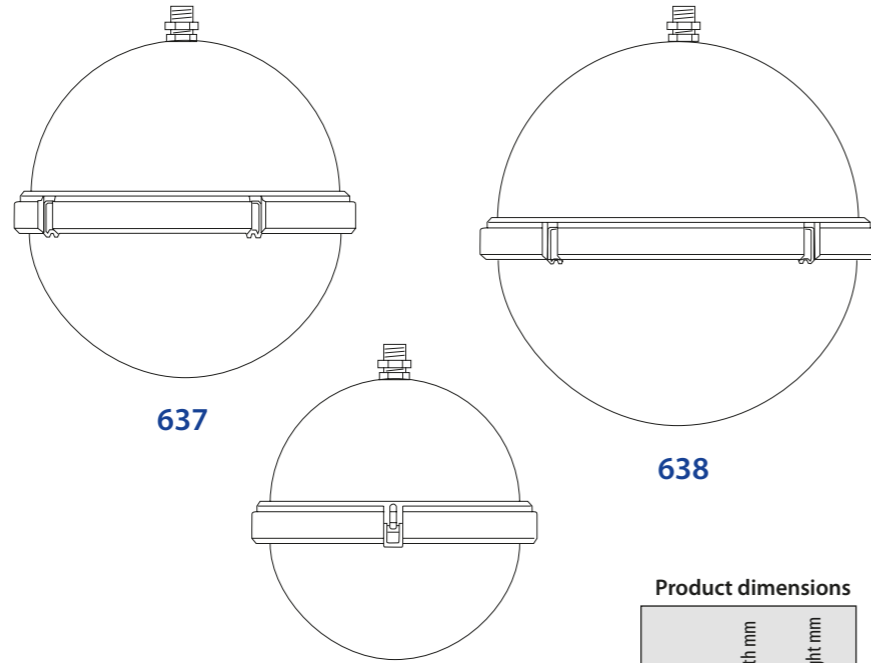
630

613 + 630

LANTERNS



637 + 674



637

638

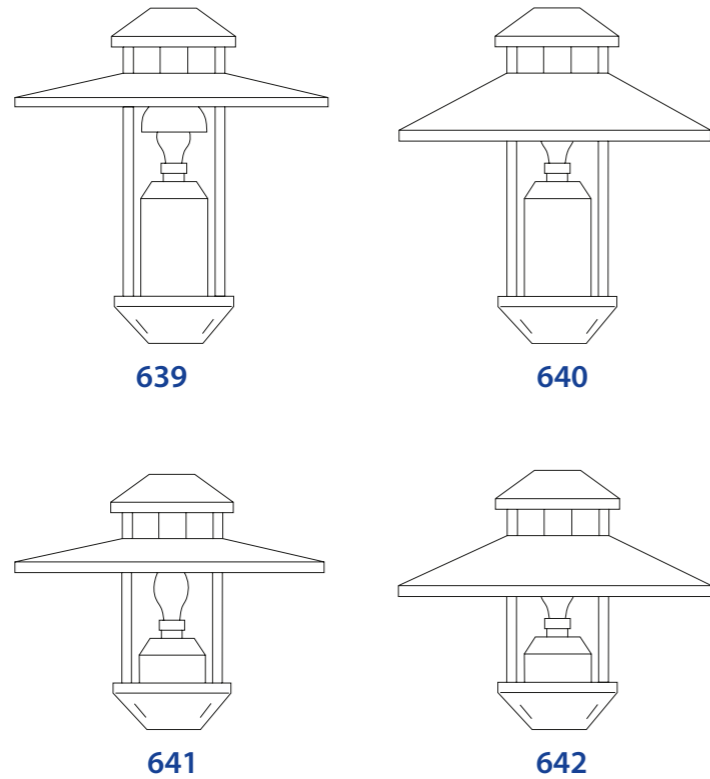
636

Product dimensions

	width mm	height mm
636	500	500
637	600	600
638	700	700
639	535	540
640	535	540
641	535	415
642	535	415



639



639

640

641

642

Material & finish availability

	639 - 642
Cast aluminium body,	standard
spun aluminium canopy	optional
Steel	optional
Chromate plus	standard
polyester powder coat	optional
Galvanised	optional
Raw	optional
BS/RAL colours	optional
No optic	standard
Refractor optic	optional
Diffuser optic	optional
Louvre stack	optional
GLS lamp & control gear, 100W	standard
Polycarbonate glazing, clear	standard

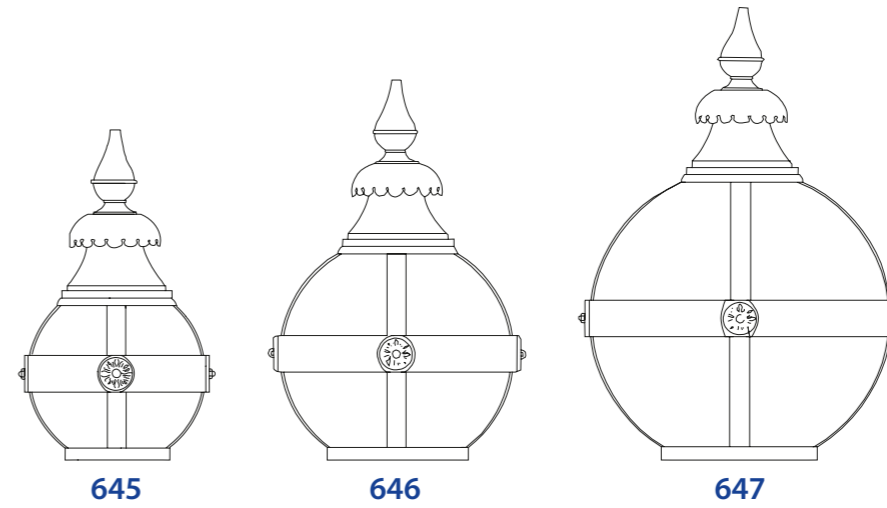
Lighting

Lighting

LANTERNS



646 + half banded version



645

646

647

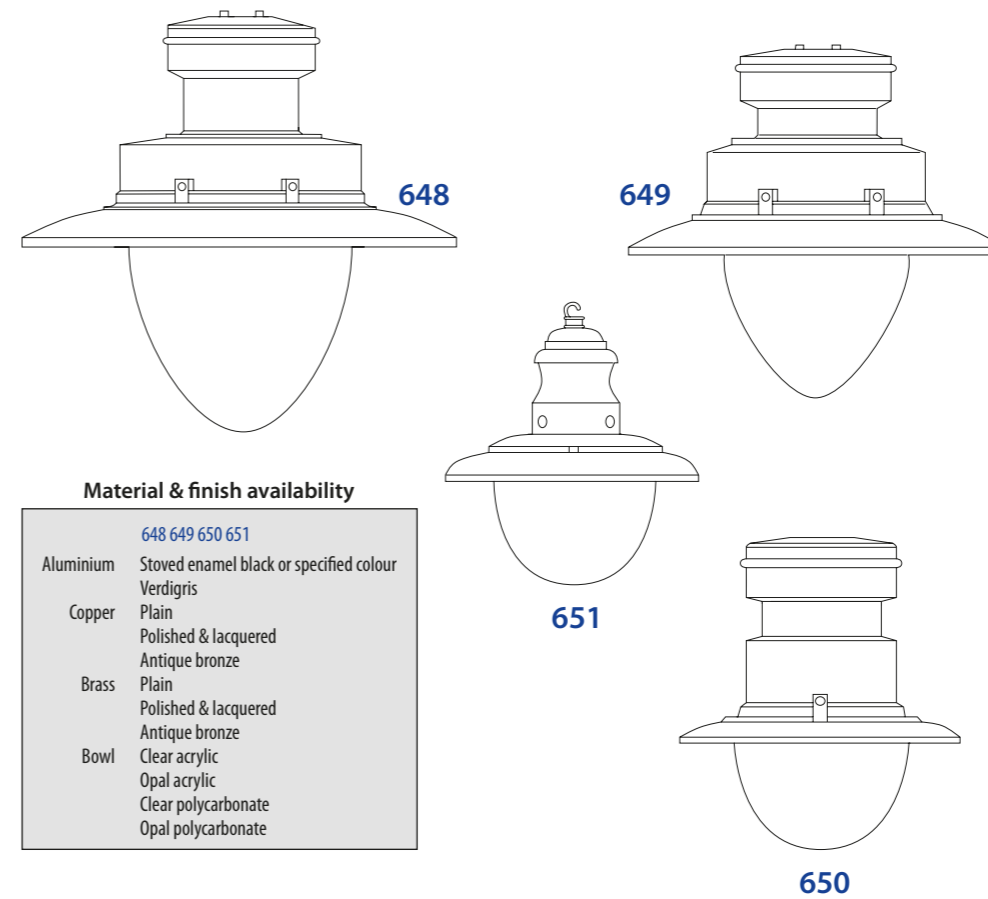
Material & finish availability

	645 646 647
Aluminium	Chromate Polyester powder coat black BS/RAL colours
Copper	Polished & lacquered Antique bronze
Brass	Polished & lacquered Clear acrylic Opal acrylic
Double UV stable polycarbonate	Clear, Opal, Frosted

Product dimensions

	width mm	height mm	Maximum wattage
645	300	100	
646	400	100	
647	500	100	
648	675	670	200
649	585	615	200
650	430	490	150
651	395	395	150

All lanterns on this page have an E27 lampholder for GLS/ self-contained fluorescent lamps



648

649

651

650

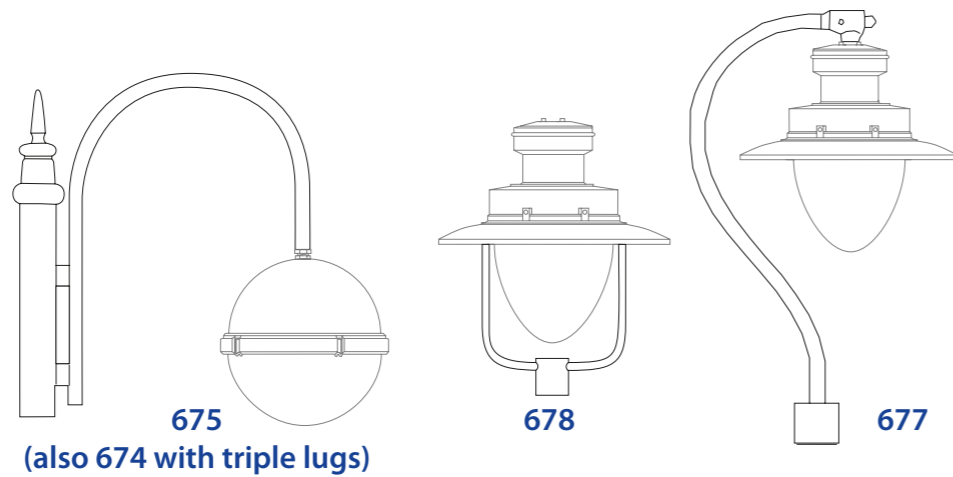
Material & finish availability

	648 649 650 651
Aluminium	Stoved enamel black or specified colour Verdigris
Copper	Plain Polished & lacquered Antique bronze
Brass	Plain Polished & lacquered Antique bronze
Bowl	Clear acrylic Opal acrylic Clear polycarbonate Opal polycarbonate



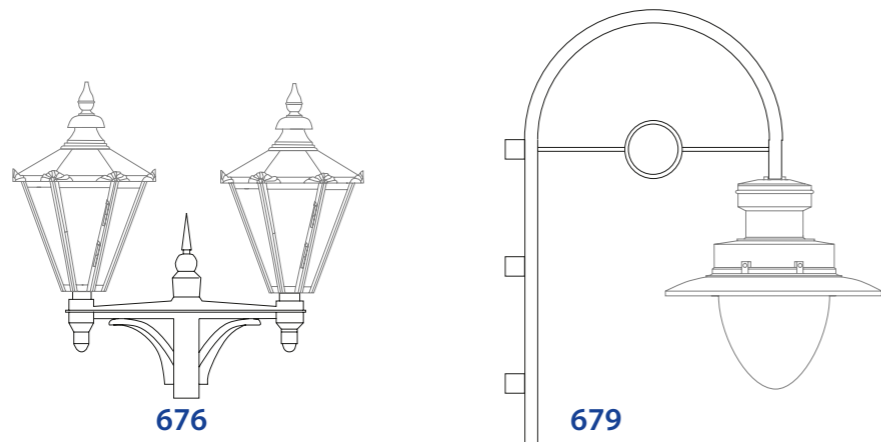
649

Outreach brackets are available to suit the full range of columns shown. Our sales staff can advise on the fitting of certain types of lanterns to the correct brackets.



675  
(also 674 with triple lugs)

678 677



676

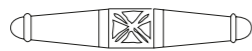
679



660



661



662



663

Ladder bars are suitable for fitting to all columns. Cast ladder bars are illustrated in varying sizes. Ladder bars may also be adapted to accommodate hanging baskets or banners.

# Lighting

# Lighting

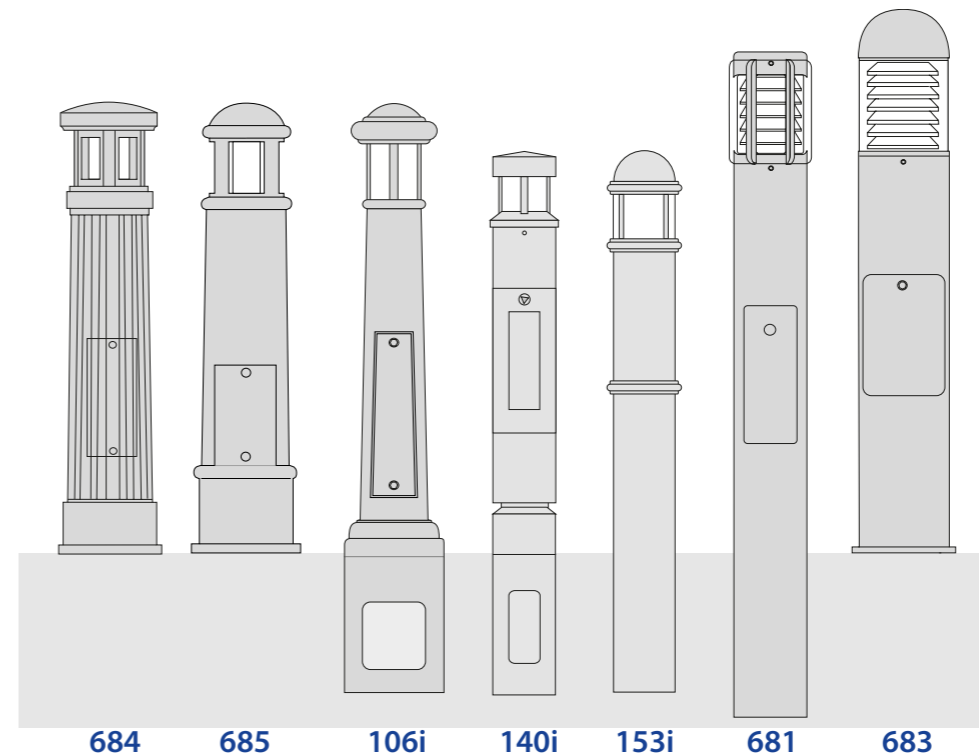


681

155i

685

683



684

685

106i

140i

153i

681

683

## ILLUMINATED BOLLARDS

An attractive and robust collection of lighting bollards to suit any landscaping scheme. All have the option of being adapted to take chains or railings.

Product data

	overall ø mm	height mm	root depth	material	lamp
681	168	1100	360	galv steel	E27
683R	200	1200	360	galv steel	E27
683F	200	1200	-	galv steel	E27
684	165	1025	-	cast iron	E27
685	180	990	-	cast iron	E27
106i	220	1000	300	cast iron	PL
140i	140	900	300	cast iron	PL
153i	140	900	300	composite	CF



106i



**CIS Street Furniture Ltd**  
Home Farm  
Shere Road  
Albury  
Guildford  
GU5 9BL

**T: 01483 203388**  
**F: 01483 229088**

**E: [sales@cis-streetfurniture.co.uk](mailto:sales@cis-streetfurniture.co.uk)**

**[www.cis-streetfurniture.co.uk](http://www.cis-streetfurniture.co.uk)**

**6.12**

**Fixings**

All fixing details and foundations are purely advisory. Ground and service conditions may vary locally. We advise you to consult a structural engineer if in any doubt.

In line with our policy of continual improvement, we reserve the right to change, without prior notice, any of the data contained in this publication. The information given is believed to be correct at the time of printing.

CIS Street Furniture is a trading name of The Cast Iron Company Limited. All rights reserved. Neither whole nor part of this publication may be copied without the written permission of the publishers. The designs are the property of The Cast Iron Company Limited and may not be reproduced without express permission.

© Copyright 2011