




F

EVAPORATIVE COOLING



Specialist Distributor:
Adremit Limited, 5A Commercial
Courtyard Settle, North Yorkshire.
BD24 9RH. Tel. 01729 824108
www.puravent.co.uk info@adremit.co.uk

Get In Touch

 Call: [0845 6880112](tel:08456880112)
 Email: info@adremit.co.uk

Our Address

Puravent, Adremit Limited, Unit 5a, Commercial Yard,
Settle, North Yorkshire, BD24 9RH





AD SMALL PREMIUM

ECOLOGICAL EVAPORATIVE COOLERS

5,500 TO 15,000M³/H

MET MANN has developed a new line of evaporative coolers known as AD Small Premium, with flow levels of 5,500; 9,000; 12,000 and 15,000 m³/h.

This range of products is manufactured with variety of impulsion locations (top, bottom or side). Their elevated cooling capacities, as well as their reduced consumption of electricity, allow them to represent an air cooling system that is both economical and completely ecological, since the refrigeration element is water. Their powerful and silent air fans and water pumps conserve electricity, creating a high level of energy efficiency compared to other cooling systems. This equipment is ideal for cooling of commercial, industrial or agricultural facilities.

The design and manufacturing, performed in an integrated manner by MET MANN, has taken into consideration the need to provide high-performance, easy-to-install units with guaranteed efficiency and durability over time.

Designed and built by
MET MANN

10-year guarantee
Polyamide structure
1-year guarantee
other components

RENOVATION PLAN
Ask about special terms

Some of the manufacturing details include:

- Rigid structure using high-thickness polyamide components and interior attachments.
- Corner posts made of AISI-304 stainless steel.
- High-efficiency cooling panels with RAL 7035 gray protective grills.
- Fans with RAL 7035 gray anti-corrosion treatment.
- Protective coverings for bearings to prevent oxidation.
- Solid base with feet to facilitate installation and transport.
- Automatic drainage system patented by MET MANN.
- Continuous drainage to avoid concentrated levels of mineral salts.
- Quick-opening panels with half-turn rotating knobs.
- Factory-installed hydraulic and electrical connections.
- Optional stainless steel panels.
- Upon request, dust filtration systems and ATEX fans and motors can be provided.

WHY MET MANN?

- 10-YEAR GUARANTEE FOR THE EXTERIOR POLYAMIDE STRUCTURE AND 2 YEARS FOR OTHER ELEMENTS.
- WE ARE MANUFACTURERS AND CAN ADAPT PRODUCTS TO YOUR NEEDS.
- FULLY PERSONALIZED TECHNICAL AND COMMERCIAL CONSULTATION.
- WE GUARANTEE THE SUPPLY OF REPLACEMENT PARTS FOR AN UNLIMITED TIME.



QUICK-OPENING APERTURES WITH HALF-TURN KNOB.



HIGH-THICKNESS POLYAMIDE STRUCTURE WITH INTERIOR ATTACHMENTS.



POLYAMIDE COVER FOR PROTECTION OF BEARINGS.



AUTOMATIC DRAINAGE VALVE SYSTEM PATENTED BY MET MANN NO. 200601656



WATER FLOW REGULATION AND CONTINUOUS DRAINAGE SYSTEM, TO AVOID CONCENTRATION OF MINERAL SALTS.



FAN WITH ANTI-CORROSION TREATMENT USING SPECIAL PRIMER AND RAL 7035 GRAY COLOUR.



LOWER BASE FOR EASE OF TRANSPORT AND INSTALLATION.

Get In Touch

Call: 0845 6880112
Email: info@adremitt.co.uk

Our Address

Puravent, Adremitt Limited, Unit 5a, Commercial Yard, Settle, North Yorkshire, BD24 9RH



CE

EVAPORATIVE COOLING

F

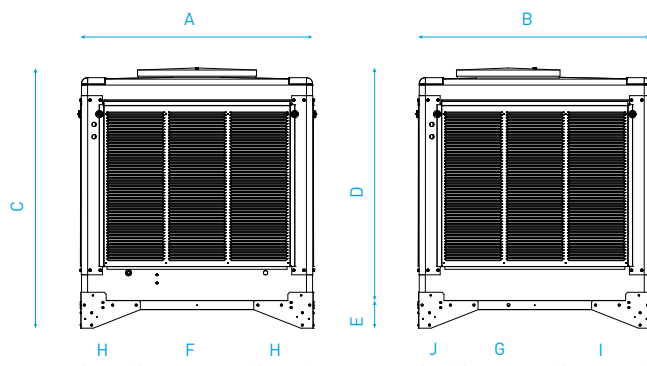
V MODELS WITH BOTTOM AIR DISCHARGE



CODE	MODEL	AIR FLOW m ³ /h	PRESSURE Pa	COOLING PANEL THICKNESS mm	COOLING PANEL EFFICIENCY %	FAN POWER kW	PUMP POWER W	VOLTAGE FAN/PUMP
STANDARD								
150100911Y	AD-09-V	9.000	57	50	69	0,75	38	B/A
150101211Y	AD-12-V	12.000	128	75	81	1,50	38	B/A
150101511Y	AD-15-V	15.000	98	100	87	2,20	250	B/A
STAINLESS STEEL								
150100911YI	AD-09-V Inox	9.000	57	50	69	0,75	38	B/A
150101211YI	AD-12-V Inox	12.000	128	75	81	1,50	38	B/A
150101511YI	AD-15-V Inox	15.000	98	100	87	2,20	250	B/A

COMMENTS: COOLERS WITH MODEL CODES ENDING IN INOX INCORPORATE AISI-304 STAINLESS STEEL COOLING PANELS. THE OTHER COMPONENTS ARE THE SAME AS IN THE STANDARD UNITS.

DIMENSIONS



DIMENSIONS mm

MODEL	A	B	C	D	E	F	G	H	I	J	EMPTY WGT.	WGT. W/WATER
AD-09-V	1135	1135	1270	1135	135	560	485	288	455	195	155	175
AD-12-V	1135	1135	1270	1135	135	560	485	288	455	195	165	185
AD-15-V	1135	1135	1270	1135	135	560	485	288	455	195	170	190

VOLTAGE: A-230V/I/50HZ B-400V/III/50HZ

MET MANN 10

Get In Touch

Call: 0845 6880112
Email: info@adremit.co.uk

Our Address

Puravent, Adremit Limited, Unit 5a, Commercial Yard,
Settle, North Yorkshire, BD24 9RH



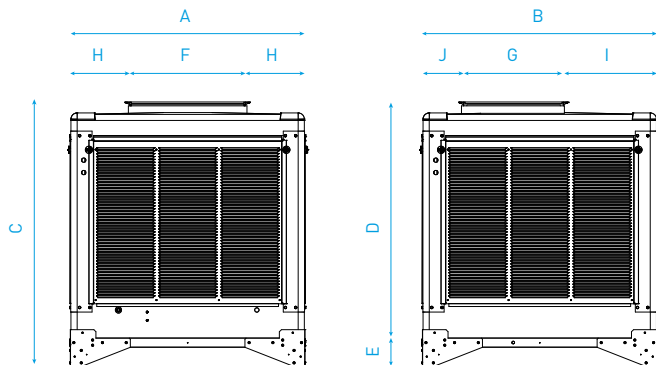
VS MODELS WITH TOP AIR DISCHARGE



CODE	MODEL	AIR FLOW m³/h	PRESSURE Pa	COOLING PANEL THICKNESS mm	COOLING PANEL EFFICIENCY %	FAN POWER kW	PUMP POWER W	VOLTAGE FAN/PUMP
STANDARD								
150100732	AD-07-VS	5.500	157	50	71	0,55	38	A/A
150100921Y	AD-09-VS	9.000	57	50	69	0,75	38	B/A
150101221Y	AD-12-VS	12.000	128	75	81	1,50	38	B/A
150101521Y	AD-15-VS	15.000	98	100	87	2,20	250	B/A
STAINLESS STEEL								
150100732I	AD-07-VS Inox	5.500	157	50	71	0,55	38	A/A
150100911YI	AD-09-VS Inox	9.000	57	50	69	0,75	38	B/A
150101211YI	AD-12-VS Inox	12.000	128	75	81	1,50	38	B/A
150101511YI	AD-15-VS Inox	15.000	98	100	87	2,20	250	B/A

COMMENTS: COOLERS WITH MODEL CODES ENDING IN INOX INCORPORATE AISI-304 STAINLESS STEEL COOLING PANELS. THE OTHER COMPONENTS ARE THE SAME AS IN THE STANDARD EQUIPMENT.

DIMENSIONS



DIMENSIONS mm

MODEL	A	B	C	D	E	F	G	H	I	J	EMPTY WGT.	WGT. W/WATER
AD-07-VS	825	825	1105	970	135	400	345	213	325	155	90	100
AD-09-VS	1135	1135	1270	1135	135	560	485	288	455	195	160	180
AD-12-VS	1135	1135	1270	1135	135	560	485	288	455	195	170	190
AD-15-VS	1135	1135	1270	1135	135	560	485	288	455	195	175	195

VOLTAGE: A-230V/II/50HZ B-400V/III/50HZ

Get In Touch

Call: 0845 6880112
Email: info@adremit.co.uk

Our Address

Puravent, Adremit Limited, Unit 5a, Commercial Yard, Settle, North Yorkshire, BD24 9RH

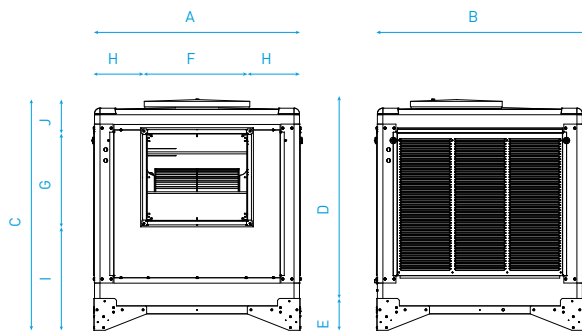


H MODELS WITH SIDE AIR DISCHARGE



CODE	MODEL	AIR FLOW m³/h	PRESSURE Pa	COOLING PANEL THICKNESS mm	COOLING PANEL EFFICIENCY %	FAN POWER kW	PUMP POWER W	VOLTAGE FAN/PUMP
STANDARD								
150100712	AD-07-H	5.500	157	50	68	0,55	38	A/A
150100901Y	AD-09-H	9.000	57	50	66	0,75	38	B/A
150101201Y	AD-12-H	12.000	128	75	78	1,50	38	B/A
150101501Y	AD-15-H	15.000	98	100	85	2,20	250	B/A
STAINLESS STEEL								
150100712I	AD-07-H Inox	5.500	157	50	68	0,55	38	A/A
150100901YI	AD-09-H Inox	9.000	57	50	66	0,75	38	B/A
150101201YI	AD-12-H Inox	12.000	128	75	78	1,50	38	B/A
150101501YI	AD-15-H Inox	15.000	98	100	85	2,20	250	B/A

DIMENSIONS



DIMENSIONS mm

MODEL	A	B	C	D	E	F	G	H	I	J	EMPTY WGT.	WGT. W/WATER
AD-07-H	825	855	1095	960	135	400	345	213	462	288	90	100
AD-09-H	1135	1170	1270	1135	135	560	485	288	598	187	155	175
AD-12-H	1135	1170	1270	1135	135	560	485	288	598	187	165	185
AD-15-H	1135	1170	1270	1135	135	560	485	288	598	187	170	190

VOLTAGE: A-230V/I/50HZ B-400V/III/50HZ

Get In Touch

Call: 0845 6880112
Email: info@adremit.co.uk

Our Address

Puravent, Adremit Limited, Unit 5a, Commercial Yard,
Settle, North Yorkshire, BD24 9RH



IMPULSION TEMPERATURES

Evaporative cooler AD-07 71%

HUMIDITY	EXTERIOR TEMPERATURE		34	36	38	40	42	44
	30	32						
20%	18	20,2	21,6	23	24,4	25,8	27,2	28,6
25%	20,1	21,6	23,1	24,5	26,1	27,5	29,1	30,5
30%	21,5	22	24,5	26,1	27,6	29,2	30,8	32,3
40%	23,8	25,4	27,1	28,8	30,5	32,2	34	35,6
50%	25,9	27,7	29,5	31,4	33,1	35	36,9	38,7

Evaporative cooler AD-09 69%

HUMIDITY	EXTERIOR TEMPERATURE		34	36	38	40	42	44
	30	32						
20%	19,2	20,5	22	23,3	24,8	26,1	27,5	29
25%	20,4	22	23,4	24,9	26,4	27,9	29,4	30,8
30%	21,8	23,3	24,9	26,4	28	29,6	31,2	32,8
40%	24,1	25,8	27,4	29,2	30,8	32,6	34,4	36,1
50%	26,2	28,1	29,9	31,7	33,5	35,4	37,2	39,1

Evaporative cooler AD-12 81%

HUMIDITY	EXTERIOR TEMPERATURE		34	36	38	40	42	44
	30	32						
20%	17,6	18,9	20,3	21,6	22,9	24,2	25,6	27
25%	18,8	20,3	21,7	23,1	24,5	25,9	27,4	28,8
30%	20,1	21,6	23,1	24,5	26,1	27,5	29,1	30,6
40%	22,3	23,9	25,5	27,2	28,8	30,5	32,2	33,7
50%	24,3	26,1	27,9	29,7	31,3	33,1	34,9	36,7

Evaporative cooler AD-15 87%

HUMIDITY	EXTERIOR TEMPERATURE		34	36	38	40	42	44
	30	32						
20%	16	18,2	19,5	20,8	22,1	23,4	24,7	26,1
25%	18,1	19,5	20,9	22,2	23,7	25	26,5	27,8
30%	19,3	20,8	22,2	23,7	25,1	26,6	28,2	29,6
40%	21,5	23,1	24,6	26,3	27,8	29,5	31,2	32,8
50%	23,5	25,3	26,9	28,7	30,3	32,1	33,9	35,7

Get In Touch

Call: 0845 6880112
 Email: info@adremit.co.uk

Our Address

Puravent, Adremit Limited, Unit 5a, Commercial Yard,
 Settle, North Yorkshire, BD24 9RH

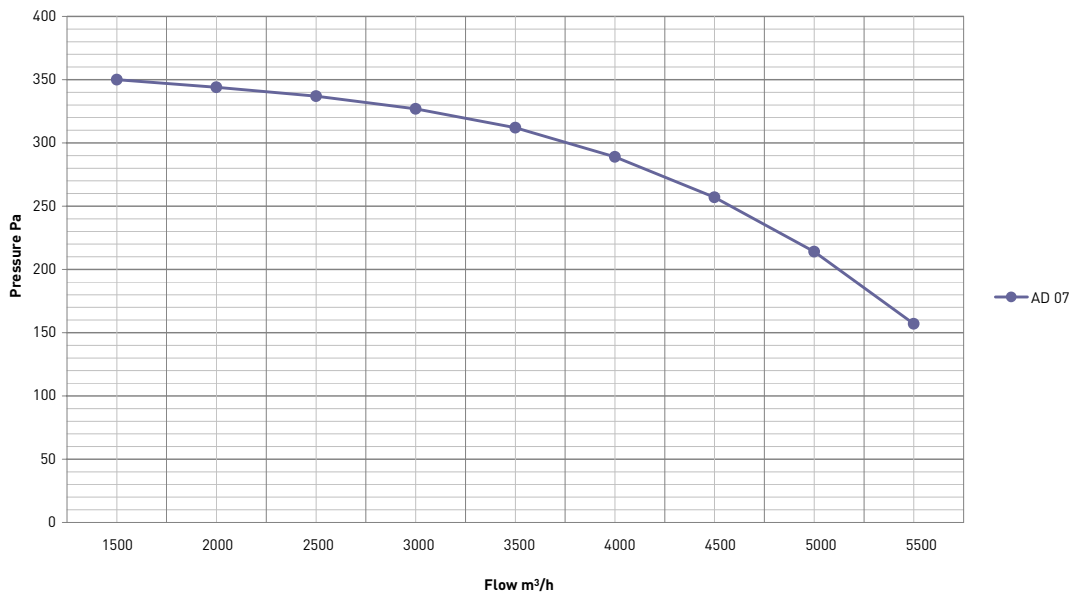


CE

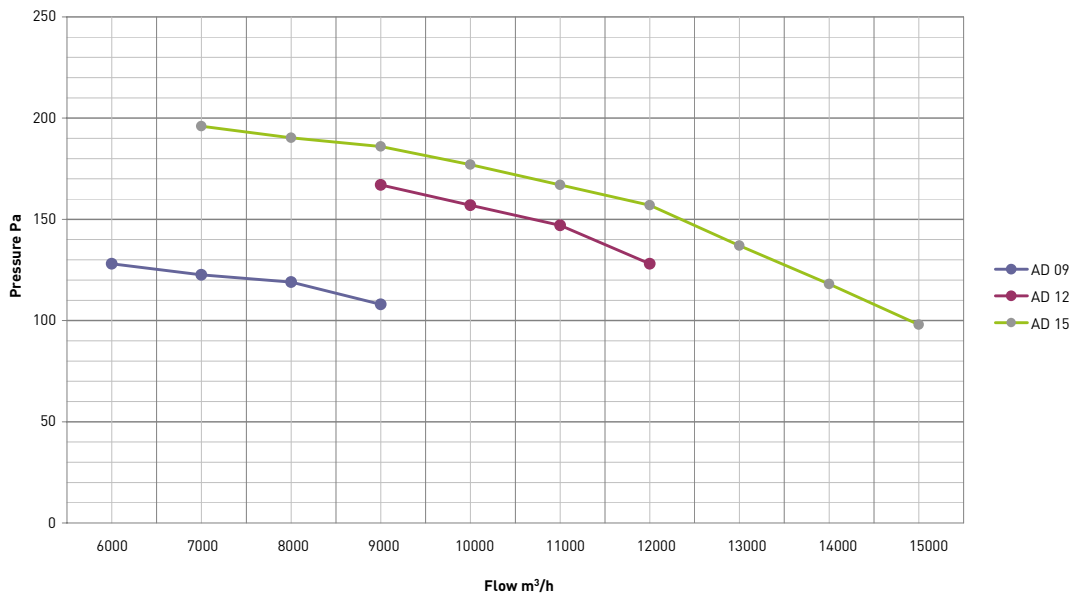
ACCREDITED BY ENAC

FLOW/PRESSURE CURVES



FLOW/PRESSURE CURVES AD-07



FLOW/PRESSURE CURVES AD-09/12/15



Get In Touch

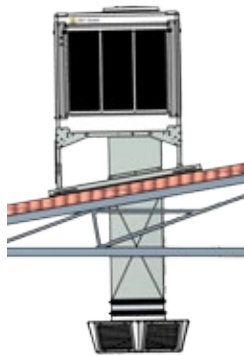
 Call: [0845 6880112](tel:08456880112)
 Email: info@adremit.co.uk

Our Address

Puravent, Adremit Limited, Unit 5a, Commercial Yard, Settle, North Yorkshire, BD24 9RH

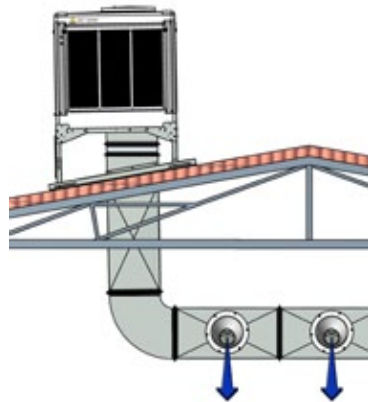


ROOFTOP INSTALLATION WITH 6-DIRECTION AIR DIFFUSER



COMPONENTS	AD-09-V	AD-12-V	AD-15-V
Basic unit	150100911Y	150101211Y	150101511Y
Basic unit, stainless steel	150100911YI	150101211YI	150101511YI
Electrical panel 1 SPEED	04150155073	04150155071	04150155071
Electrical panel FREQUENCY CONVERTER	04150120076	04150120066	04150120070
INSTALLATION ACCESSORIES			
Roof mount base	03091501022	03091501022	03091501022
Flexible joint	1805AV4740	1805AV4740	1805AV4740
Straight section, 1m	1805TR14	1805TR14	1805TR14
6-direction air diffuser SINGLE-DEFLECTION GRILLS	03231501015	03231501015	03231501015
6-direction air diffuser DOUBLE-DEFLECTION GRILLS	03231501115	03231501115	03231501115
Atmospheric hygrostat	1210HSCF001	1210HSCF001	1210HSCF001
Protective cover	41501009001	041501012001	041501015002

ROOFTOP INSTALLATION WITH AIR DUCTS AND IMPULSION VENTS



COMPONENTS	AD-09-V	AD-12-V	AD-15-V
Basic unit	150100911Y	150101211Y	150101511Y
Basic unit, stainless steel	150100911YI	150101211YI	150101511YI
Electrical panel 1 SPEED	04150155073	04150155071	04150155071
Electrical panel FREQUENCY CONVERTER	04150120076	04150120066	04150120070
INSTALLATION ACCESSORIES			
Roof mount base	03091501022	03091501022	03091501022
Flexible joint	1805AV4740	1805AV4740	1805AV4740
Straight section, 1m	1805TR14	1805TR14	1805TR14
90° curve	1805TC14	1805TC14	1805TC14
Impulsion vents 10 UNITS	04150PAKCONO	04150PAKCONO	04150PAKCONO
Atmospheric hygrostat	1210HSCF001	1210HSCF001	1210HSCF001
Protective cover	03021502009	03021502009	03021502009

NOTE: THIS IS A SAMPLE INSTALLATION SCHEME. THE ACTUAL INSTALLATION WILL BE PERFORMED IN COMPLIANCE WITH STANDARDS IN EFFECT IN THE COUNTRY WHERE THE EQUIPMENT WILL BE INSTALLED.

Get In Touch

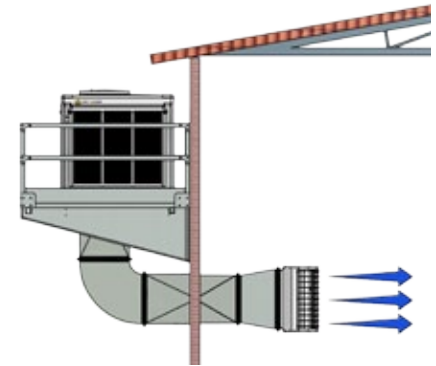
Call: 0845 6880112
Email: info@adremit.co.uk

Our Address

Puravent, Adremit Limited, Unit 5a, Commercial Yard,
Settle, North Yorkshire, BD24 9RH

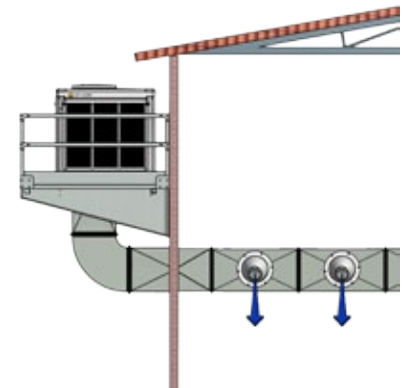
WALL INSTALLATION WITH 3-DIRECTION AIR DIFFUSER

COMPONENTS	AD-09-V	AD-12-V	AD-15-V
Basic unit	150100911Y	150101211Y	150101511Y
Basic unit, stainless steel	150100911YI	150101211YI	150101511YI
Electrical panel 1 SPEED	04150155073	04150155071	04150155071
Electrical panel FREQUENCY CONVERTER	04150120076	04150120066	04150120070
INSTALLATION ACCESSORIES			
Wall mount base COMPLEMENT	03091501024	03091501024	03091501024
Flexible joint	1805AV4740	1805AV4740	1805AV4740
Straight section, 1m	1805TR14	1805TR14	1805TR14
90° curve	1805TC14	1805TC14	1805TC14
Diffusion coupling	180547406060	180547406060	180547406060
3-direction air diffuser	03231501016	03231501016	03231501016
Atmospheric hygrostat	1210HSCF001	1210HSCF001	1210HSCF001
Protective cover	03021502009	03021502009	03021502009



WALL INSTALLATION WITH AIR DUCTS AND IMPULSION VENTS

COMPONENTS	AD-09-V	AD-12-V	AD-15-V
Basic unit	150100911Y	150101211Y	150101511Y
Basic unit, stainless steel	150100911YI	150101211YI	150101511YI
Electrical panel 1 SPEED	04150155073	04150155071	04150155071
Electrical panel FREQUENCY CONVERTER	04150120076	04150120066	04150120070
INSTALLATION ACCESSORIES			
Wall mount base	03091501024	03091501024	03091501024
Flexible joint	1805AV4740	1805AV4740	1805AV4740
Straight section, 1m	1805TR14	1805TR14	1805TR14
90° curve	1805TC14	1805TC14	1805TC14
Impulsion vents 10 UNITS	04150PAKCON0	04150PAKCON0	04150PAKCON0
Atmospheric hygrostat	1210HSCF001	1210HSCF001	1210HSCF001
Protective cover	03021502009	03021502009	03021502009



NOTE: THIS IS A SAMPLE INSTALLATION SCHEME. THE ACTUAL INSTALLATION WILL BE PERFORMED IN COMPLIANCE WITH STANDARDS IN EFFECT IN THE COUNTRY WHERE THE EQUIPMENT WILL BE INSTALLED.

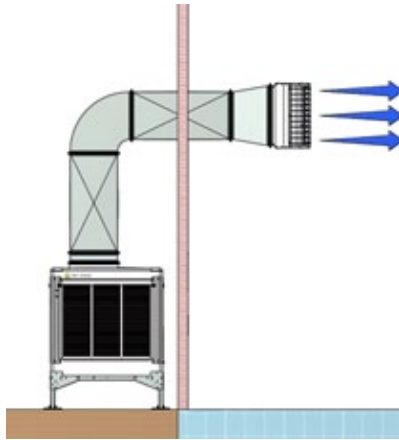
Get In Touch

Call: 0845 6880112
Email: info@adremit.co.uk

Our Address

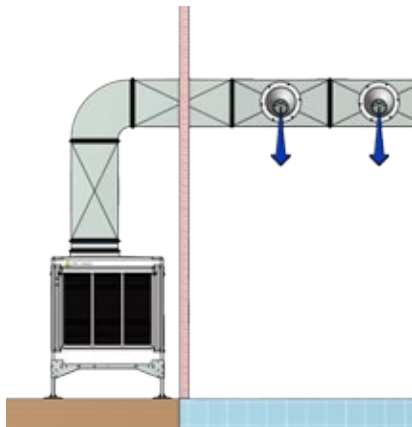
Puravent, Adremit Limited, Unit 5a, Commercial Yard, Settle, North Yorkshire, BD24 9RH

GROUND SURFACE INSTALLATION WITH 3-DIRECTION AIR DIFFUSER



COMPONENTS	AD-07-VS	AD-09-VS	AD-12-VS	AD-15-VS
Basic unit COMPREND BÂTI BASE AVEC PIEDS	150100732	150100921Y	150101221Y	150101521Y
Basic unit, stainless steel COMPREND BÂTI BASE AVEC PIEDS	150100732I	150100911YI	150101211YI	150101511YI
Electrical panel 1 SPEED	0811TLR310	04150155073	04150155071	04150155071
Electrical panel FREQUENCY CONVERTER	-	04150120076	04150120066	04150120070
INSTALLATION ACCESSORIES				
Flexible joint	1805AV4035	1805AV4740	1805AV4740	1805AV4740
Straight section, 1m	1805TR07	1805TR14	1805TR14	1805TR14
90° curve	1805TC07	1805TC14	1805TC14	1805TC14
Diffusion coupling	1805RD076060	180547406060	180547406060	180547406060
3-direction air diffuser	03231501016	03231501016	03231501016	03231501016
Atmospheric hygrostat	1210HSCF001	1210HSCF001	1210HSCF001	1210HSCF001
Protective cover	041501003Y14	41501009001	03021502009	03021502009

GROUND SURFACE INSTALLATION WITH AIR DUCTS AND IMPULSION VENTS



COMPONENTS	AD-07-VS	AD-09-VS	AD-12-VS	AD-15-VS
Basic unit	150100732	150100921Y	150101221Y	150101521Y
Basic unit, stainless steel	150100732I	150100911YI	150101211YI	150101511YI
Electrical panel 1 SPEED	0811TLR310	04150155073	04150155071	04150155071
Electrical panel FREQUENCY CONVERTER	-	04150120076	04150120066	04150120070
INSTALLATION ACCESSORIES				
Flexible joint	1805AV4035	1805AV4740	1805AV4740	1805AV4740
Straight section, 1m	1805TR07	1805TR14	1805TR14	1805TR14
90° curve	1805TC07	1805TC14	1805TC14	1805TC14
Impulsion vents 10 UNITS	04150PAKCONO	04150PAKCONO	04150PAKCONO	04150PAKCONO
Atmospheric hygrostat	1210HSCF001	1210HSCF001	1210HSCF001	1210HSCF001
Protective cover	041501003Y14	41501009001	03021502009	03021502009

NOTE: THIS IS A SAMPLE INSTALLATION SCHEME. THE ACTUAL INSTALLATION WILL BE PERFORMED IN COMPLIANCE WITH STANDARDS IN EFFECT IN THE COUNTRY WHERE THE EQUIPMENT WILL BE INSTALLED.

Get In Touch



Call: 0845 6880112

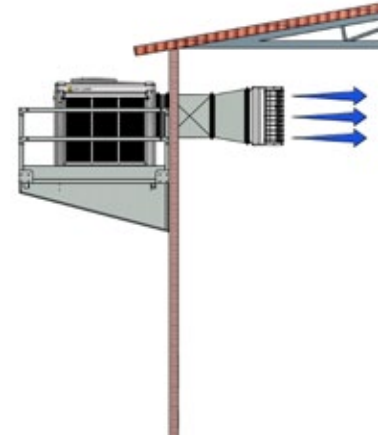
Email: info@adremit.co.uk

Our Address

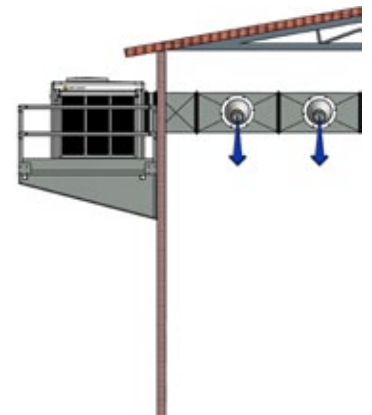
Puravent, Adremit Limited, Unit 5a, Commercial Yard,
Settle, North Yorkshire, BD24 9RH

WALL INSTALLATION WITH 3-DIRECTION AIR DIFFUSER

COMPONENTS	AD-07-H	AD-09-H	AD-12-H	AD-15-H
Basic unit	150100712	150100901Y	150101201Y	150101501Y
Basic unit, stainless steel	150100712I	150100901YI	150101201YI	150101501YI
Electrical panel 1 SPEED	0811TLR310	04150155073	04150155071	04150155071
Electrical panel FREQUENCY CONVERTER	-	04150120076	04150120066	04150120070
INSTALLATION ACCESSORIES				
Wall mount base COMPLEMENT	03091501025	03091501024	03091501024	03091501024
Flexible joint	1805AV4035	1805AV4740	1805AV4740	1805AV4740
Straight section, 1m	1805TR07	1805TR14	1805TR14	1805TR14
Diffusion coupling	1805RD076060	180547406060	180547406060	180547406060
3-direction air diffuser	03231501016	03231501016	03231501016	03231501016
Atmospheric hygrostat	1210HSCF001	1210HSCF001	1210HSCF001	1210HSCF001
Protective cover	03021502009	03021502009	03021502009	03021502009


WALL INSTALLATION WITH AIR DUCTS AND IMPULSION VENTS

COMPONENTS	AD-07-H	AD-09-H	AD-12-H	AD-15-H
Basic unit	150100712	150100901Y	150101201Y	150101501Y
Basic unit, stainless steel	150100712I	150100901YI	150101201YI	150101501YI
Electrical panel 1 SPEED	0811TLR310	04150155073	04150155071	04150155071
Electrical panel FREQUENCY CONVERTER	-	04150120076	04150120066	04150120070
INSTALLATION ACCESSORIES				
Wall mount base COMPLEMENT	03091501025	03091501024	03091501024	03091501024
Flexible joint	1805AV4035	1805AV4740	1805AV4740	1805AV4740
Straight section, 1m	1805TR07	1805TR14	1805TR14	1805TR14
Impulsion vents 10 UNITS	04150PAKCONO	04150PAKCONO	04150PAKCONO	04150PAKCONO
Atmospheric hygrostat	1210HSCF001	1210HSCF001	1210HSCF001	1210HSCF001
Protective cover	03021502009	03021502009	03021502009	03021502009



NOTE: THIS IS A SAMPLE INSTALLATION SCHEME. THE ACTUAL INSTALLATION WILL BE PERFORMED IN COMPLIANCE WITH STANDARDS IN EFFECT IN THE COUNTRY WHERE THE EQUIPMENT WILL BE INSTALLED.

Get In Touch

Call: 0845 6880112
Email: info@adremit.co.uk

Our Address

Puravent, Adremit Limited, Unit 5a, Commercial Yard, Settle, North Yorkshire, BD24 9RH