





F

EVAPORATIVE COOLING



Specialist Distributor:
Adremit Limited, 5A Commercial
Courtyard Settle, North Yorkshire.
BD24 9RH. Tel. 01729 824108
www.puravent.co.uk info@adremit.co.uk

Get In Touch

 Call: [0845 6880112](tel:08456880112)
 Email: info@adremit.co.uk

Our Address

Puravent, Adremit Limited, Unit 5a, Commercial Yard,
Settle, North Yorkshire, BD24 9RH





ADIABATIC COOL PREMIUM

MODULES ADIABATIQUES 2,100 TO 8,000 M³/H

Spain's new building insulation law (RITE) requires improved energy efficiency through use of heat exchangers, and the use of our ADIABATIC COOL Premium modules increases this efficiency while also significantly reducing costs.

The adiabatic module is incorporated into the installation between the air return and the heat exchanger, thereby reducing air temperature and notably improving the system's performance.



Other possible applications include:

- Pre-cooling for ATUs (air treatment units)
- Increasing humidity levels for air flowing in ducts
- Natural and ecological air cooling for animal raising facilities or greenhouses
- Etc.

Construction details

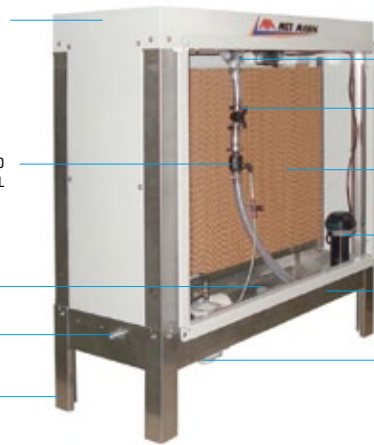
GALVANIZED STEEL STRUCTURE, HEAT-PAINTED WITH POLYESTER POWDER SURFACING.

CONTINUOUS DRAINAGE SYSTEM TO AVOID CONCENTRATION OF MINERAL SALTS.

OVERFLOW PIPE.

WATER SOURCE CONNECTION

AISI-304 STAINLESS STEEL SUPPORT LEGS.



WATER DISTRIBUTION SYSTEM.

WATER FLOW REGULATION VALVE.

HIGH-PERFORMANCE COOLING PANEL.

WATER PUMP.

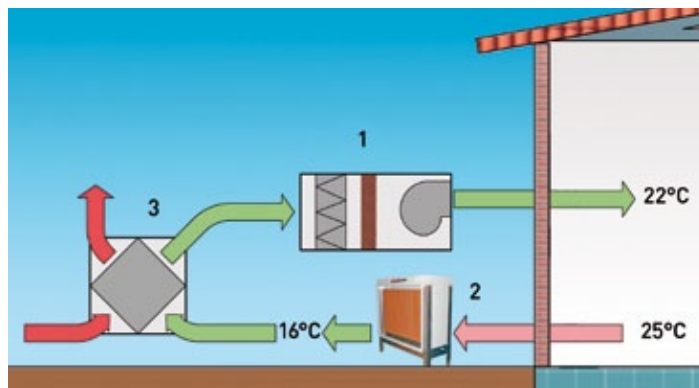
AISI-316 STAINLESS STEEL WATER TRAY.

AUTOMATIC DRAINAGE SYSTEM PATENTED BY MET MANN.

Designed and built by **MET MANN**

5-year guarantee
exterior structure
1-year guarantee
panels and other components

Custom fabrication



1. Air treatment unit.
2. Adiabatic module.
3. Heat exchanger.

WHY MET MANN?

- 5-YEAR GUARANTEE FOR EXTERIOR STRUCTURE AND 2-YEAR GUARANTEE FOR PANELS AND OTHER COMPONENTS.
- WE ARE MANUFACTURERS AND CAN ADAPT PRODUCTS TO YOUR NEEDS.
- FULLY PERSONALIZED TECHNICAL AND COMMERCIAL CONSULTATION.
- WE GUARANTEE THE SUPPLY OF REPLACEMENT PARTS FOR AN UNLIMITED TIME.

Get In Touch

Call: 0845 6880112
Email: info@adremit.co.uk

Our Address

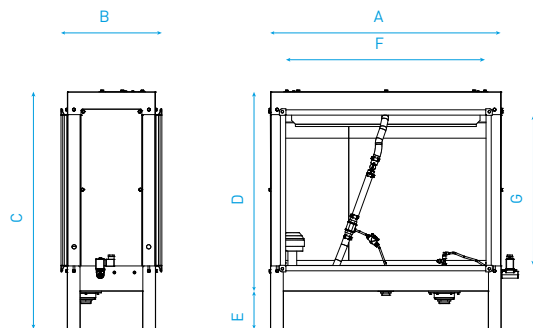
Puravent, Adremit Limited, Unit 5a, Commercial Yard, Settle, North Yorkshire, BD24 9RH



ADIABATIC COOL PREMIUM

CODE	MODEL	AIR FLOW m ³ /h	PANEL THICKNESS mm	PANEL EFFIC. %	PANEL CHARGE LOSS Pa	WATER USE L/H	WATER CAPACITY L	WATER ENTRY PRESSURE bar	PIPE mm	PUMP POWER W	PUMP VOLTAGE
150202000	AC-2000	2.100	100	87%	65	13	22	1 ÷ 4	800x300	38	230V/I/50Hz
150203000	AC-3000	3.200	100	87%	65	19	22	1 ÷ 4	800x450	38	230V/I/50Hz
150205000	AC-5000	4.750	100	85%	65	28	22	1 ÷ 4	800x600	38	230V/I/50Hz
150208000	AC-8000	8.000	100	85%	65	48	30	1 ÷ 4	1100X750	38	230V/I/50Hz

DIMENSIONS



DIMENSIONS mm

MODEL	A	B	C	D	E	F X G	EMPTY WGT.	WGT. W/WATER
AC-2000	917	400	641	491	150	800X300	24	46
AC-3000	917	400	791	641	150	800X450	26	48
AC-5000	917	400	941	791	150	800X600	28	50
AC-8000	1219	400	1091	941	150	1100X750	36	66

Get In Touch

Call: 0845 6880112
 Email: info@adremit.co.uk

Our Address

Puravent, Adremit Limited, Unit 5a, Commercial Yard,
 Settle, North Yorkshire, BD24 9RH



CE

IMPULSION TEMPERATURES

Adiabatic module AC-2000 85%

HUMIDITY	EXTERIOR TEMPERATURE		34	36	38	40	42	44
	30	32						
20%	17,2	18,4	19,8	21	22,4	23,7	25	26,4
25%	18,3	19,8	21,1	23,5	24	25,4	26,8	28,1
30%	19,6	21	22,5	24	25,4	26,9	28,5	30
40%	21,8	23,3	24,9	26,6	28,1	29,9	31,5	33,1
50%	23,8	25,5	27,2	29	30,7	32,5	34,2	36

Adiabatic module AC-3000 85%

HUMIDITY	EXTERIOR TEMPERATURE		34	36	38	40	42	44
	30	32						
20%	17,2	18,4	19,8	21	22,4	23,7	25	26,4
25%	18,3	19,8	21,1	23,5	24	25,4	26,8	28,1
30%	19,6	21	22,5	24	25,4	26,9	28,5	30
40%	21,8	23,3	24,9	26,6	28,1	29,9	31,5	33,1
50%	23,8	25,5	27,2	29	30,7	32,5	34,2	36

Adiabatic module AC-5000 82%

HUMIDITY	EXTERIOR TEMPERATURE		34	36	38	40	42	44
	30	32						
20%	17,5	18,8	20,2	21,4	22,8	24,1	25,4	26,9
25%	18,7	20,2	21,5	22,9	24,4	25,8	27,2	28,6
30%	20	21,4	22,9	24,4	25,9	27,3	28	30,4
40%	22,2	23,8	25,3	27	28,6	30,3	32	33,6
50%	24,2	26	27,7	29,5	31,1	33	34,8	36,5

Adiabatic module AC-8000 84%

HUMIDITY	EXTERIOR TEMPERATURE		34	36	38	40	42	44
	30	32						
20%	17,3	18,5	19,9	21,2	22,5	23,8	25,2	26,6
25%	18,4	19,9	21,3	22,6	24,1	25,5	26	28,3
30%	19,7	21,2	22,6	24,1	25,4	27	28,7	30,1
40%	21,9	23,5	25,1	26,7	28,1	30	31,7	33,2
50%	23,9	25,7	27,4	29,1	30,7	32,5	34,4	36,1

Get In Touch



Call: [0845 6880112](tel:08456880112)



Email: info@adremit.co.uk

Our Address

Puravent, Adremit Limited, Unit 5a, Commercial Yard,
Settle, North Yorkshire, BD24 9RH