



Conversion Gradient Chart



1 in 10 = 10.000 %

1 in 11 = 9.091
1 in 12 = 8.333
1 in 13 = 7.692
1 in 14 = 7.143
1 in 15 = 6.667
1 in 16 = 6.250
1 in 17 = 5.882
1 in 18 = 5.556
1 in 19 = 5.263
1 in 20 = 5.000
1 in 21 = 4.762
1 in 22 = 4.545
1 in 23 = 4.348
1 in 24 = 4.167
1 in 25 = 4.000
1 in 26 = 3.846
1 in 27 = 3.704
1 in 28 = 3.571
1 in 29 = 3.448
1 in 30 = 3.333
1 in 31 = 3.226
1 in 32 = 3.125
1 in 33 = 3.030
1 in 34 = 2.941
1 in 35 = 2.857
1 in 36 = 2.778
1 in 37 = 2.703
1 in 38 = 2.632
1 in 39 = 2.564
1 in 40 = 2.500
1 in 41 = 2.439
1 in 42 = 2.381
1 in 43 = 2.326
1 in 44 = 2.273
1 in 45 = 2.222
1 in 46 = 2.174
1 in 47 = 2.128
1 in 48 = 2.083
1 in 49 = 2.041
1 in 50 = 2.000

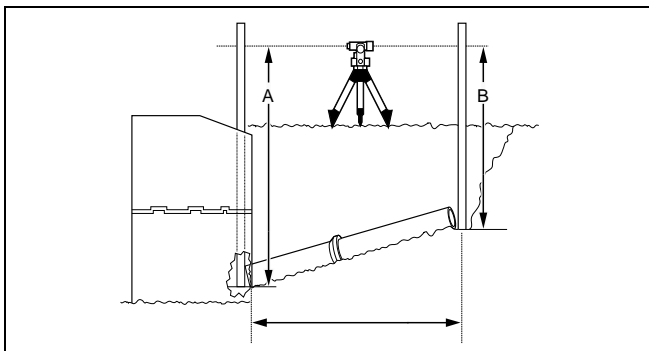
1 in 51 = 1.961
1 in 52 = 1.923
1 in 53 = 1.887
1 in 54 = 1.852
1 in 55 = 1.818
1 in 56 = 1.786
1 in 57 = 1.754
1 in 58 = 1.724
1 in 59 = 1.695
1 in 60 = 1.667
1 in 61 = 1.639
1 in 62 = 1.613
1 in 63 = 1.587
1 in 64 = 1.563
1 in 65 = 1.538
1 in 66 = 1.515
1 in 67 = 1.493
1 in 68 = 1.471
1 in 69 = 1.449
1 in 70 = 1.429
1 in 71 = 1.408
1 in 72 = 1.389
1 in 73 = 1.370
1 in 74 = 1.351
1 in 75 = 1.333
1 in 76 = 1.316
1 in 77 = 1.299
1 in 78 = 1.282
1 in 79 = 1.266
1 in 80 = 1.250
1 in 81 = 1.235
1 in 82 = 1.220
1 in 83 = 1.205
1 in 84 = 1.190
1 in 85 = 1.176
1 in 86 = 1.163
1 in 87 = 1.149
1 in 88 = 1.136
1 in 89 = 1.124
1 in 90 = 1.111

1 in 91 = 1.099
1 in 92 = 1.087
1 in 93 = 1.075
1 in 94 = 1.064
1 in 95 = 1.053
1 in 96 = 1.042
1 in 97 = 1.031
1 in 98 = 1.020
1 in 99 = 1.010
1 in 100 = 1.000
1 in 105 = 0.952
1 in 110 = 0.909
1 in 115 = 0.870
1 in 120 = 0.833
1 in 125 = 0.800
1 in 130 = 0.769
1 in 135 = 0.741
1 in 140 = 0.714
1 in 145 = 0.690
1 in 150 = 0.667
1 in 155 = 0.645
1 in 160 = 0.625
1 in 165 = 0.606
1 in 170 = 0.588
1 in 175 = 0.571
1 in 180 = 0.556
1 in 185 = 0.541
1 in 190 = 0.526
1 in 195 = 0.513
1 in 200 = 0.500
1 in 205 = 0.488
1 in 210 = 0.476
1 in 215 = 0.465
1 in 220 = 0.455
1 in 225 = 0.444
1 in 230 = 0.435
1 in 235 = 0.426
1 in 240 = 0.417
1 in 245 = 0.408
1 in 250 = 0.400

1 in 255 = 0.392
1 in 260 = 0.385
1 in 265 = 0.377
1 in 270 = 0.370
1 in 275 = 0.364
1 in 280 = 0.357
1 in 290 = 0.345
1 in 295 = 0.339
1 in 300 = 0.333
1 in 305 = 0.328
1 in 310 = 0.323
1 in 315 = 0.317
1 in 320 = 0.313
1 in 325 = 0.308
1 in 330 = 0.303
1 in 335 = 0.299
1 in 340 = 0.294
1 in 345 = 0.290
1 in 350 = 0.286
1 in 355 = 0.282
1 in 360 = 0.278
1 in 365 = 0.274
1 in 370 = 0.270
1 in 375 = 0.267
1 in 380 = 0.263
1 in 385 = 0.260
1 in 390 = 0.256
1 in 395 = 0.253
1 in 400 = 0.250
1 in 405 = 0.247
1 in 410 = 0.244
1 in 415 = 0.241
1 in 420 = 0.238
1 in 425 = 0.235
1 in 430 = 0.233
1 in 435 = 0.230
1 in 440 = 0.227
1 in 445 = 0.225
1 in 450 = 0.222
1 in 455 = 0.220

1 in 460 = 0.217
1 in 465 = 0.215
1 in 470 = 0.213
1 in 475 = 0.211
1 in 480 = 0.208
1 in 485 = 0.206
1 in 495 = 0.202
1 in 500 = 0.200
1 in 525 = 0.190
1 in 550 = 0.182
1 in 575 = 0.174
1 in 600 = 0.167
1 in 625 = 0.160
1 in 650 = 0.154
1 in 675 = 0.148
1 in 700 = 0.143
1 in 725 = 0.138
1 in 750 = 0.133
1 in 775 = 0.129
1 in 800 = 0.125
1 in 825 = 0.121
1 in 850 = 0.118
1 in 875 = 0.114
1 in 900 = 0.111
1 in 925 = 0.108
1 in 950 = 0.105
1 in 975 = 0.103

1 in 1000 = 0.100



$$\% \text{ Grade} = \frac{\text{Difference in Height (A-B)}}{\text{Distance}} \times 100$$

Example: $\frac{0.340}{43} \times 100$

Equals: 0.791%