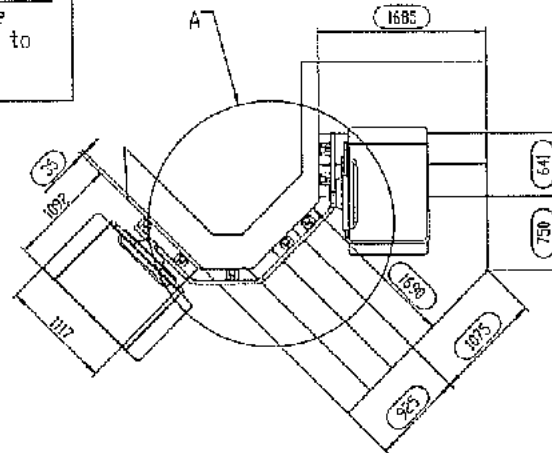
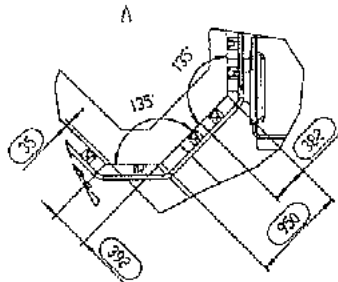


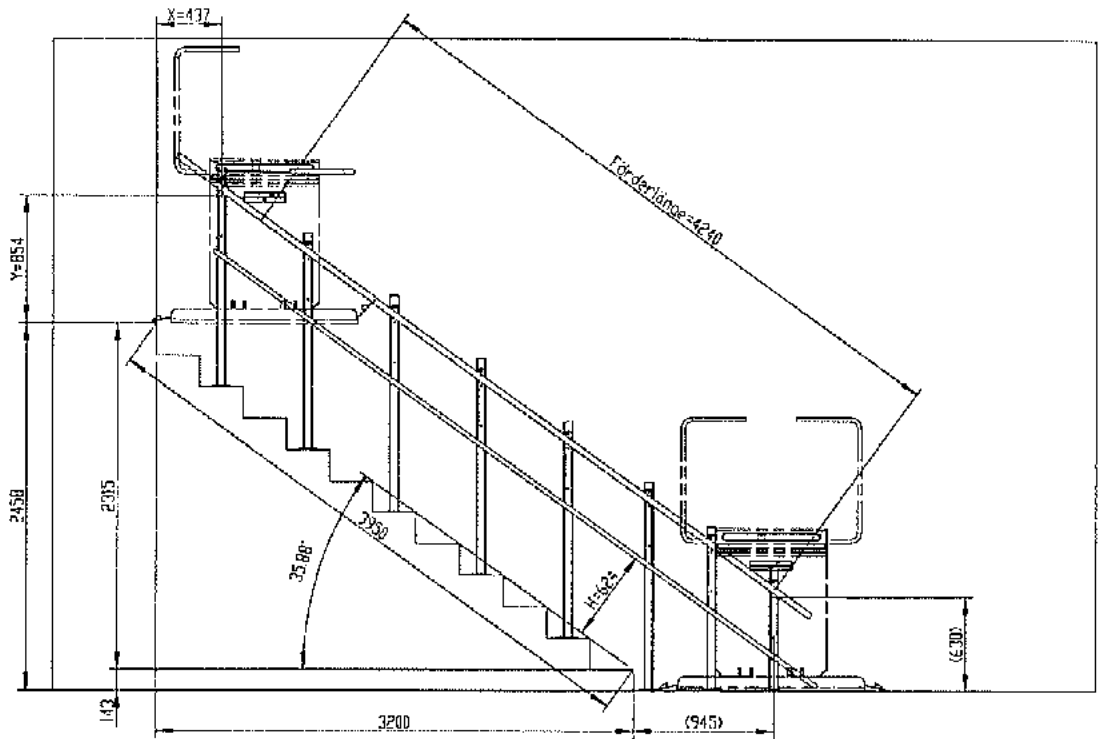
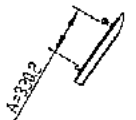
Stanchions  
 special ground plate  
 RAL 9006  
 A=770mm  
 B=1040mm  
 C=1220mm  
 D=1220mm  
 E=1220mm  
 F=1000mm  
 H=1260mm

Inva Stair Riser automatic operation  
 Platform Size: 1000x800mm  
 Rated Load: 225kg  
 Powder coated in Standard RAL 9006  
 Location: Indoor unit, left hand (as viewed from lower level)  
 Mounting: stanchions  
 Wall mounted operating unit incl. keyswitch  
 removable in both 0 & 1 positions  
 Folding seat  
 Safety-tray under platform  
 Box for accu recharger for wall installation

**IMPORTANT: Low Headroom height - DO NOT LEAVE THE LIFT IN SERVICE until the headroom height has been increased to provide suitable clearance**



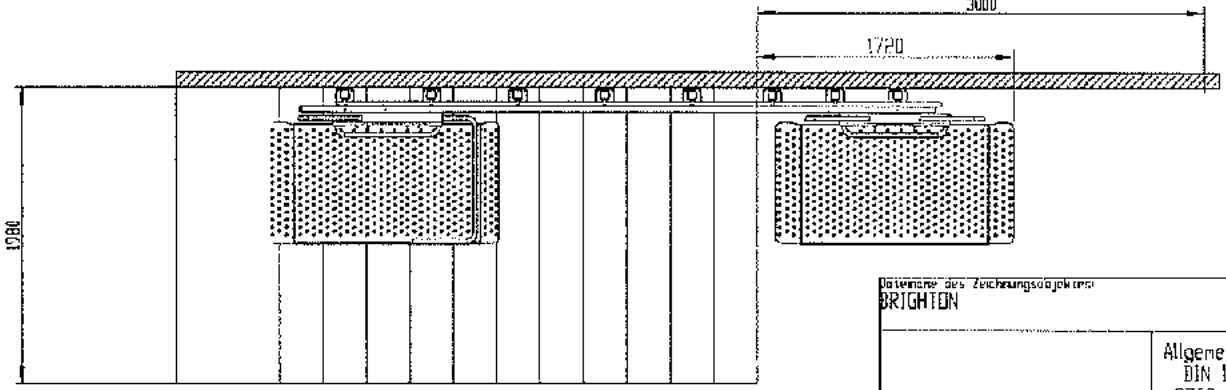
Allgemein		Material		Besondere Merkmale	
Hersteller		ASSEN		Scale: NTS	
Allgemein		Kanten		Bem.-hg	
Bil. 150		DIN 150		Verstärk. =	
2748-m-3		13713		folstreng	
Drehen		Name		Inhalt Name	
Bem. (Baujahr)		Name			
Typ					
Anm.					
1		1903		Drucke: 10	
2		24.00		Anst.	
3		23.00		1.0	
4		23.00			
5		23.00			
6		23.00			
7		23.00			
8		23.00			
9		23.00			
10		23.00			
11		23.00			
12		23.00			
Invalifits Ltd					



Please check:

- Number of Steps: 12
- Total Height: 2458mm
- Height of 1st Step: 143mm
- Total Depth: 3200mm
- Nose-to-Nose: 3950mm

Inva Stair Riser, automatic operation  
 Platform Size: 1250x800mm  
 Rated Load: 300kg  
 Powder coated in standard RAL 9006  
 Location: Indoor unit  
 Position: Right hand (as viewed from lower level)  
 Mounting: Structural floor stanchions  
 Stanchions, galvanized and powder coated RAL9006  
 Wall mounted operating unit incl. keyswitch, removable in both 0 & 1 positions  
 Safety-tray under platform  
 Box for accu recharger for wall installation



Stanchions galvanized and powder coated RAL 9006: -

- A = 800mm
- B = 1100mm
- C = 1400mm
- D-H = 1450mm

Dateiname des Zeichnungsobjektes BRIGHTEN		Mithrag		Dateiname der Zeichnung	
Allgemeintal. DIN ISO 2768-m-S		Kanten DIN ISO 13715		Scale: NTS Gew: kg	
Datum 1.06.2014		Name Horti		Werkstoff: Inhaltzeug	
Gepr.		Vorn		Project No:	
Zust.		Anleitung		Drawing No:	
Datum		Name		Blattl	
Urspr.)		Ers.f.)		Ers.d.)	
Invalifts Ltd					