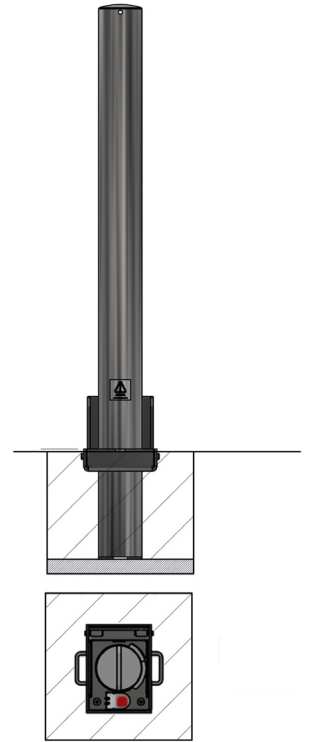




AUTOPA

RGP 745 745mm Stainless Steel



The RGP (removable ground post) offers a highly effective and robust way to protect premises and vehicles. The post is 745mm above ground, when removed the socket is covered using the integral lid. The post is lockable by rotating the post 45° and then pressing the high-security push button 7-pin security lock. The post is unlocked using the supplied key, rotated and then removed.

The RGP is ideal for protecting vehicle forecourts, commercial premises, car parks and domestic driveways.

Tested and approved by Sold Secure.

This product has achieved Secure by Design status.

<u>Part Number</u>	<u>Description</u>	<u>Lift Weight (kg)</u>	<u>Weight (kg)</u>
138 100 739	76mm Stainless Steel - Removable	4kg	10kg
138 100 754	90mm Stainless Steel - Removable	5kg	13kg
138 000 134K	101mm Stainless Steel - Removable	6kg	15kg
138 000 136K	114mm Stainless Steel - Removable	7kg	16kg



Secured by Design



Police Preferred Specification

Product details

- 745mm - (above ground)
- Socket - 265mm (below ground) 76mm - 90mm
- Socket - 280mm (below ground) 101mm - 114mm
- 2mm wall thickness
- Red/white chevron tape available extra
- Grade 304

Installation & use

Bolt down to a suitable concrete surface.

Telescopic, removable and concrete in are supplied with welded fixing spikes to ensure firm ground anchorage into concrete.

Telescopic, removable and concrete in require a suitable excavated hole for installing into concrete.

Products are guaranteed for 12 months (if installed and used correctly).



www.autopa.co.uk
+44 (0)1788 550556

AUTOPA Limited
Cottage Leap, Rugby, Warwickshire CV21 3XP

