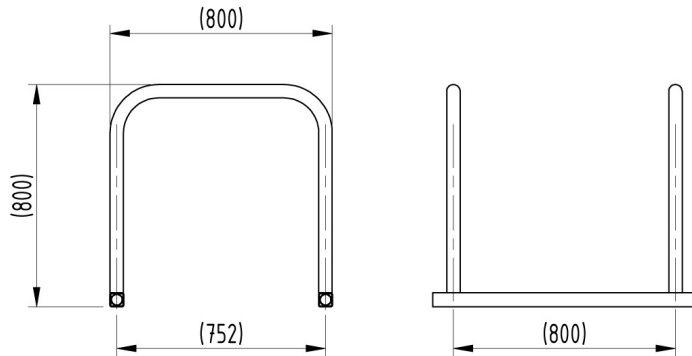




# Sheffield Cycle Toastrack Stainless Steel Grade 304



The VELOPA Sheffield Cycle Toastrack is a floor fixed cycle rack based upon the Sheffield Cycle Stand. The Sheffield Cycle Toastrack consists of Sheffield Cycle Stands welded at 800mm centres to floor fixed box section rails. The benefits of a Cycle Toastrack over individual stands are reduced installation costs and pre-determined gaps between stands, each stand is suitable for parking two bicycles. The Sheffield Toastrack is ideal where cycle parking in large numbers is required.

The practical and durable nature of the VELOPA Sheffield Cycle Toastrack ensures that the rack is suitable for all environments where high density of cycle parking is required. The Sheffield Toastrack is shown in Stainless Steel finish.



<u>Part Number</u>	<u>Description</u>	<u>Weight (kg)</u>
138 135 202	2 Stand Sheffield Toastrack Stainless Steel Grade 304	18kg
138 135 203	3 Stand Sheffield Toastrack Stainless Steel Grade 304	29kg
138 135 204	4 Stand Sheffield Toastrack Stainless Steel Grade 304	40kg
138 135 205	5 Stand Sheffield Toastrack Stainless Steel Grade 304	51kg

## Product details

- 800mm x 800mm (height x width)
- 800mm distance between stands (centre to centre)
- Length varies per number of cycle stands
- Price excludes fixing down bolts
- 50mm x 25mm box section

## Installation & use

Fix using M12 bolts to a suitable concrete surface.  
First stand should be no closer than 400mm from nearest obstruction.  
This product is guaranteed for 12 months (if installed and used correctly).



[www.autopa.co.uk](http://www.autopa.co.uk)  
+44 (0)1788 550556

AUTOPA Limited  
Cottage Leap, Rugby, Warwickshire CV21 3XP

