

# RWM 400 Baling Press

Take control and convert your dry recyclable packing waste into manageable bales. Recyclers and industrial users of a Riverside vertical baler benefit from waste volume reduction; storage, handling and transportation savings; avoidance of ever-increasing landfill charges; the satisfaction of environmental benefits and even possibly the generation of an additional revenue yield.

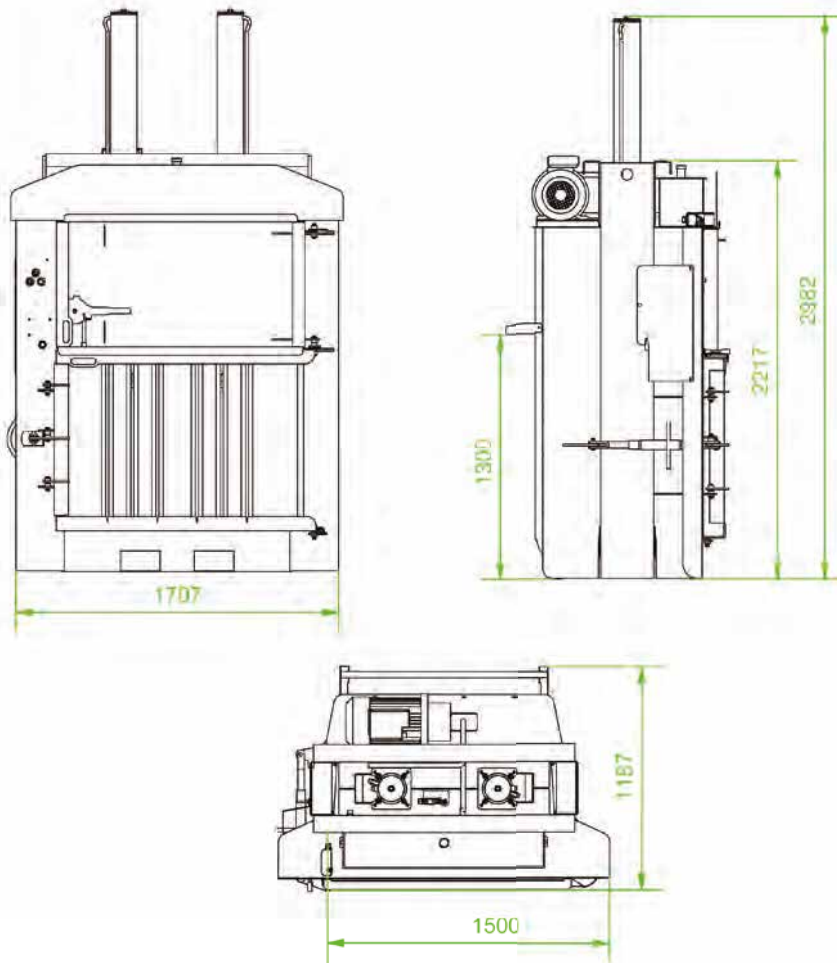
## RWM 400 Baling Press

- ✓ 12 month warranty
- ✓ 1200mm wide feed aperture
- ✓ Can be sited outside
- ✓ Available in 16 amp 3-phase or 16 amp single phase electrics
- ✓ 25 Tonne press force
- ✓ Automatic bale ejection
- ✓ Bale weights up to 450kg
- ✓ CE approved
- ✓ Fitted retaining claws to prevent material spring back
- ✓ Full stroke rams available upon request
- ✓ Powder coated finish for durability

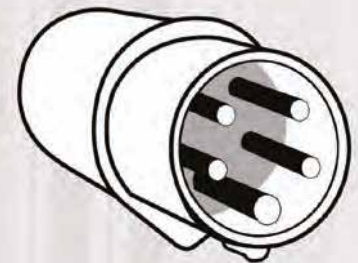


# RWM 400 Baling Press

## TECHNICAL SPECIFICATIONS



<b>Press Force</b>	25 Tonnes
<b>Loading Aperture (H x W x D)</b>	698 x 1200 x 800mm
<b>Bale Weight</b>	up to 450 Kg
<b>Bale Dimensions (H x W x D)</b>	1000 x 1200 x 800mm
<b>Cycle Time</b>	40 seconds
<b>Noise</b>	68 decibels
<b>Machine weight</b>	1300 Kg
<b>Power Supply (kW-V-Hz)</b>	16amp 3 phase 5.5kW-400V-50Hz
<b>Overall Dimensions (H x W x D)</b>	3000 x 1707 x 1187mm
<b>Optional Transportation Height</b>	2300mm



Operating Voltage – 400v.

Frequency – 50hz.

Connector plug fitted – 16amp three phase five pin – A + N + PE

MCB (Minature circuit breaker) if fitted – Cat D.