

RWM 550 Heavy Duty Baling Press

Take control and convert your dry recyclable packing waste into manageable bales. Recyclers and industrial users of a Riverside vertical baler benefit from waste volume reduction; storage, handling and transportation savings; avoidance of ever-increasing landfill charges; the satisfaction of environmental benefits and even possibly the generation of an additional revenue yield.

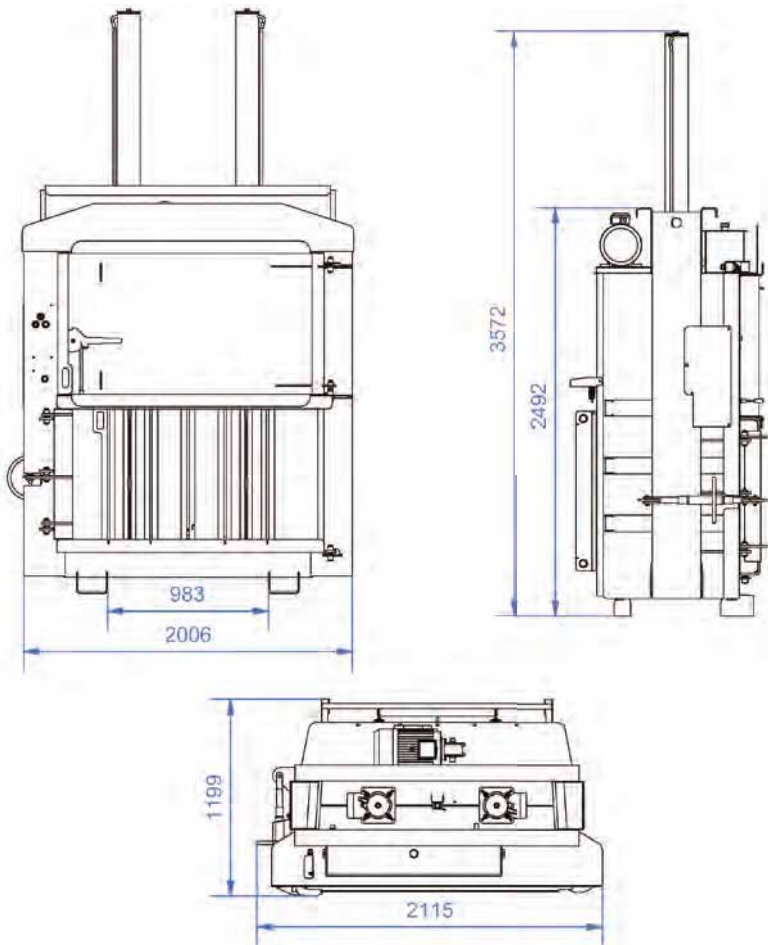
RWM 550 Heavy Duty Baling Press

- ✓ 12 month warranty
- ✓ 1500mm wide feed aperture
- ✓ Can be sited outside
- ✓ Available in 16 amp 3-phase or 16 amp single phase electrics
- ✓ 50 Tonne press force
- ✓ 5 wire tying for a secure bale
- ✓ Automatic bale ejection
- ✓ Bale weights up to 550kg
- ✓ CE approved
- ✓ Fitted retaining claws to prevent material spring back
- ✓ Powder coated finish for durability
- ✓ Full Stroke Compaction

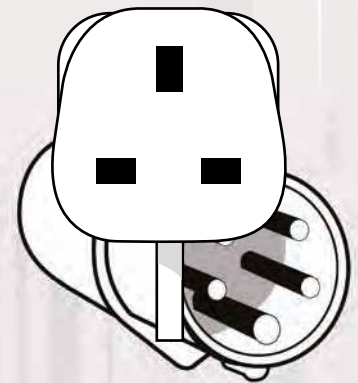


RWM 550 Heavy Duty Baling Press

TECHNICAL SPECIFICATIONS



Press Force	50 Tonnes
Loading Aperture (H x W x D)	880 x 1500 x 769mm
Bale Weight	up to 610 Kg
Bale Dimensions (H x W x D)	1200 x 1500 x 769mm
Cycle Time	50 seconds
Noise	68 decibels
Machine weight	1935 Kg
Power Supply (kW-V-Hz)	16amp 3 phase 5.5kW-400V-50Hz
Overall Dimensions (H x W x D)	3572 x 2115 x 1200mm
Optional Transportation Height	2500mm



Operating Voltage – 400v.

Frequency – 50hz.

16amp three phase five pin –
A + N + PE

MCB (Minature circuit breaker)
if fitted – Cat D.

Riverside Waste Machinery Ltd

Unit A, 2 Jubilee Court, Wath Lane, Copgrove,
Harrogate, North Yorkshire HG3 3TB

T 01423 325 038

F 01423 329 182

W www.wastemachinery.co.uk

E sales@wastemachinery.co.uk

Telephone 01423 325 038