

KELLY TANKS

CONCRETE WASHOUTS

ADSORPTION SACK & FRAME

WATER TREATMENT SYSTEMS

pH CONTROL

BESPOKE UNITS & SYSTEMS

CONCRETE SKIP FRAMES

HYDRODEMOLITION SYSTEMS

DOSING & AGITATION

Innovative, cost-effective
concrete washout and
water treatment solutions

Product Library

01889 508944

www.kellytanks.co.uk

info@kellytanks.co.uk



FORK POCKETS & 2" OUTLET

DOUBLE SACK FRAME AVAILABLE

SUMP FOR SUBMERSIBLE PUMP

FILTERS EFFLUENTS, RETAINS SOLIDS, ADSORBS CONTAMINANTS



DOUBLE SACK FRAMES ALSO AVAILABLE

KELLY TANKS

Heavy duty sacks, ideal for onsite waste. Specially designed to allow the fast flow of water whilst retaining solids and adsorbing contaminants. **Ideal for washing concrete equipment off into and other onsite waste disposal.**

Can also be used to empty settlement tank and filter waste water. Sacks can be used in conjunction with a Frame to allow drained water to be pumped to discharge point or reintroduced back into water treatment systems.

Dims (mm) approx.

Weight approx.

1450 (L) 1240 (W) 1010 (H)

300kg

2220 (L) 1440 (W) 1100 (H)

600kg

BENEFITS

- COST EFFECTIVE ALTERNATIVE TO SUCTION WAGONS AND LANDFILL WASTE
- SACKS CAN BE PURCHASED SEPARATELY
- SIMPLE TO SET UP, SIMPLE TO EMPTY, SIMPLE TO OPERATE
- SOLIDS ARE RETAINED IN SACK, MAKING THEM EASY TO DISPOSE OF
- CAN BE USED FOR CONCRETE WASHOUT OR WATER TREATMENT

Adsorption Sack & Frame

For Hire, Sales or more info call us on **01889 508944**

KELLY TANKS

CLOSED LOOP CYCLE/WASH
WATER IS RECYCLED

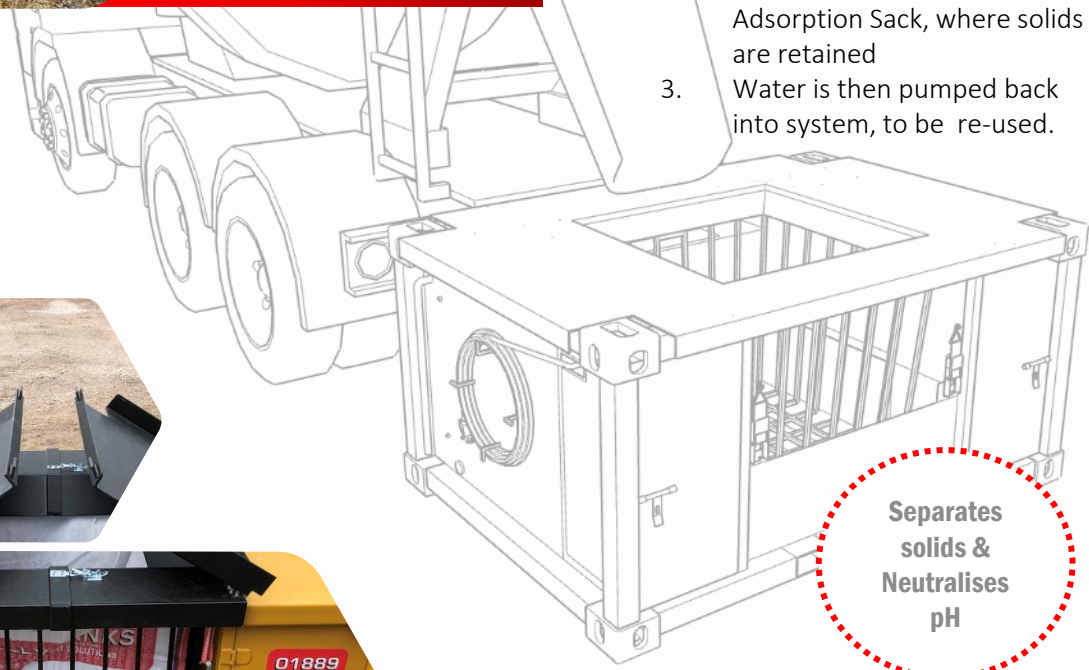
NO HAZARDOUS WATER
IS GENERATED

SIMPLE TO SET UP,
SIMPLE TO EMPTY,
SIMPLE TO OPERATE

SOLIDS ARE RETAINED IN
SACK MAKING THEM EASY
TO DISPOSE OF



1. Use the hose to wash off chute/equipment into Adsorption Sack
2. Water passes through Adsorption Sack, where solids are retained
3. Water is then pumped back into system, to be re-used.



Separates
solids &
Neutralises
pH

Simple Solutions for washing off concrete wagon chutes and equipment

A cost effective alternative to skips & suction wagons, the CWS allows concrete equipment to be washed off onsite by separating the solids in the wash water and recycling the remaining water. pH can be easily neutralised if required.

Dims (mm) approx.	Weight approx.
2140 (L) 1520 (W) 1030 (H)	720kg

CWS Concrete Washout

For Hire, Sales or more info call us on 01889 508944

Power Required	Consumables
110V min 2.75kVa	<ul style="list-style-type: none"> • Adsorption Sack • pH Neutraliser (optional)



KELLY TANKS

LAMELLA COALESCING MEDIA, CAN BE USED WITH FLOCCULANT

OIL SKIMMER & OPTIONAL HYDROCARBON FILTER PADS

SIMPLE TO SET UP, SIMPLE TO EMPTY, SIMPLE TO OPERATE

SOLIDS EMPTIED VIA DUMP VALVE FOR EASY CLEANING

USER FRIENDLY EXTRAS

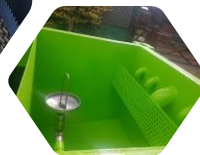
STEPS, SKIMMER, FLOCC CAGE, TAPS & TELEMETRY POINTS



Universal treatment tank with interchangeable coalescing media to suit all applications.

Ideal solution when dewatering and dealing with stubborn suspended solids. The coalescing/lamella media provides over 100sq mtr of settling area and encourages settlement of all types of silt. Can be used with or without Flocculant. Media can be provided with varying diameter openings making the WTS the perfect system for any application.

System	Dims (mm) approx.	Weight approx.
WTS	2880 (L) 1560 (W) 1510 (H)	820kg
WTS XL	4020 (L) 1830 (W) 2140 (H)	1320kg
WTS XXL	4940 (L) 2370 (W) 2260 (H)	2200kg



WTS Water Treatment

For Hire, Sales or more info call us on 01889 508944



REDUCE CHIPPING OUT COSTS

REDUCED SERVICING

REDUCED DRUM DAMAGE

REDUCED TARE WEIGHTS

REDUCED RISK OF ROLL OVER

INCREASED CAPACITY & PRODUCTIVITY



KELLY TANKS

Easy to install, very easy to operate and has a very low maintenance cost. A DrumBlaster unit can be used 24/7 and will easily service a large fleet of trucks. The 5 minute cycle saves time and water versus traditional washout methods.

Using DrumBlaster Automated Build-up Control Technology for a few minutes each day is proven to reduce build-up by 85%+. Drivers also find DrumBlaster very useful to use during the day after delivering high strength, sticky or colored loads. The DrumBlaster incorporates an extendable boom with a rotating head allowing the mixer drum to remain stationary. Using recycled or fresh water, the highly efficient electric driven pump combined with the water jets at the tip of the boom remove the days build up before it hardens.



Site Requirements

- Water Volume – Minimum 140 lpm (40 GPM)
- Header Tank – 1000lts minimum gravity feed
- Water Hose Diameter – 50 mm (2") (from header tank to system water pump).
- Water Quality - the DrumBlaster™ is able to use fresh or recycled plant water with particles less than 1 mm (1 mm = 1000 microns or 18 Mesh)
- Power AUST/UK/EU – 415v 32 amp 3 phase
- Pad suitable to support unit weight of approx. 1500kg (3307lb)
- Trucks with air bags need to be kept in a DrumBlaster clean position
- Left/Right angled bump stop to be supplied by DrumBlaster™

Dims (mm) approx.

2205 (L) 1700 (W) 3032 - 3650(H) – 8mtr or 10mtr Boom

DrumBlaster

For Hire, Sales or more info call us on 01889 508944



CAN BE USED WITHOUT POWER

SIMPLE TO SET UP, SIMPLE TO EMPTY, SIMPLE TO OPERATE

HEAVY SOLIDS ARE RETAINED IN SACK, MAKING THEM EASY TO DISPOSE OF

MANIFOLD AVAILABLE- EASILY REMOVABLE ENABLING WAGONS/PUMPS TO DISCHARGE OR WASH DIRECTLY INTO TANK



1. Filtration and Retention of heavy solids
2. Dosing & Agitation
3. Coalescing Media/Lamella Clarifier to settle suspended solids



IDEAL HEIGHT FOR WAGONS TO WASH DIRECTLY INTO



Power Required	Consumables
No Power Required or 110V (if dosing)	<ul style="list-style-type: none"> • Adsorption Sack • Dosing Agents (optional)

KELLY TANKS

THIS TANK CAN DO IT ALL..

Concrete Washout Used for washing off concrete or grout equipment, mixers, piling rig equipment, concrete skips and volumetric wagons adsorbs the solids and uses purpose built coalescing to clean concrete wash water. Dosing unit can be fitted to neutralise pH automatically.

Water Treatment - Lamella Clarifier – Settlement – Dosing & Agitation – Flocculation & Filtration An adsorption sack retains and filters heavy solids, making them easy to dispose of. A dosing & agitation unit can be fitted for pH neutralisation, flocculation or dosing of any required chemicals. The coalescing media can be easily changed to suit the application and characteristics of waste water to settle any suspended solids.

Dims (mm) approx.	Weight approx.
3340 (L) 1580 (W) 1050 (H)	1300kg

GWS Hybrid

For Hire, Sales or more info call us on 01889 508944



MANUAL HANDLING

ADJUSTABLE HEIGHT & POSITIONING OF DIFFUSER

EASY TO SET/CHANGE PH PARAMETER TO ACHIEVE DESIRED PH

TURBULENT DIFFUSER FOR OPTIMUM CO2 DISTRIBUTION

CAN BE FITTED TO MOST TANKS



KELLY TANKS

Modular dosing units to monitor and automatically adjust pH

Units are fitted to existing tanks, skips or Kelly Tanks Water Treatment Tanks and held in position by adjustable fixing points. pH probe is removed from holder and inserted into working position. Diffuser is positioned in desired location.

When the pH probe reads pH outside the pre-set parameter, CO2 is automatically diffused until desired pH is achieved.



1. Fit to tank/skip
2. Connect 110V power
3. Set desired pH parameters
4. Position diffuser
5. System is ready, pH will be automatically monitored and corrected.

Dims (mm) approx.

Variable – enquire for more info

pH Dosing Unit

For Hire, Sales or more info call us on 01889 508944

Power Required

Consumables

110V
min 2.75kVa

• CO2



SIMPLE TO SET UP, SIMPLE TO EMPTY, SIMPLE TO OPERATE

HEAVY SOLIDS ARE RETAINED IN SACK, MAKING THEM EASY TO DISPOSE OF

LAMELLA/COALESCING TO SETTLE SUSPENDED SOLIDS

PH ELECTRODE & DOSING SYSTEM TO CONTROL PH



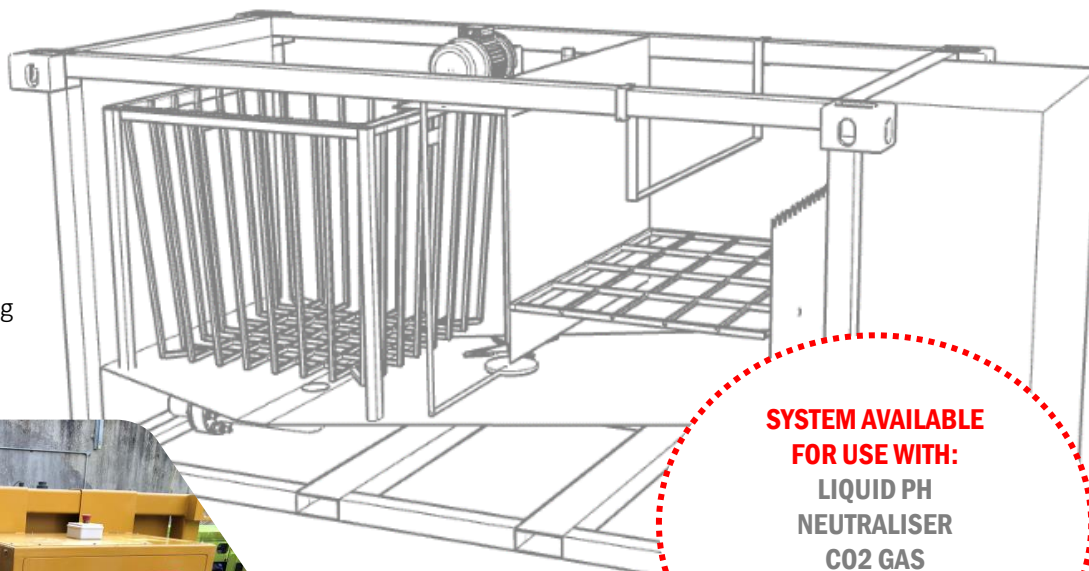
IDEAL FOR TREATING HIGH PH ALKALINE WASTE WATER

KELLY TANKS

A simple solution for retaining solids and correcting pH in waste water, ideal for Hydrodem Waste Water.

A modular system consisting of a Water Treatment Unit with Adsorption Sack to capture solids, pH electrode to test pH level and mixer and dosing unit to correct pH.

1. Wastewater is washed into Absorption Sack wherein solids are retained
2. pH electrode initialises dosing and mixer to correct pH
3. Liquid flows through coalescing media, forcing any solids to clump together and settle out



SYSTEM AVAILABLE FOR USE WITH:
LIQUID PH NEUTRALISER
CO2 GAS
DUAL (LIQUID & GAS)

Dims (mm) approx.

Weight approx.

3150 (L) 1580 (W) 1860 (H)

1400kg



Power Required

Consumables

110V
min 2.75kVa

- Adsorption Sack
- pH Neutraliser

Hydrodem System

For Hire, Sales or more info call us on **01889 508944**

SIMPLE TO SET UP, SIMPLE TO
EMPTY, SIMPLE TO OPERATE

AVAILABLE AS MODULAR ADD ON
OR SELF CONTAINED TANK

OPTIONAL AUTO SELF CLEANING
ELECTRODES

OPTIONAL ELERT/ALARM SYSTEM

KEY FEATURES

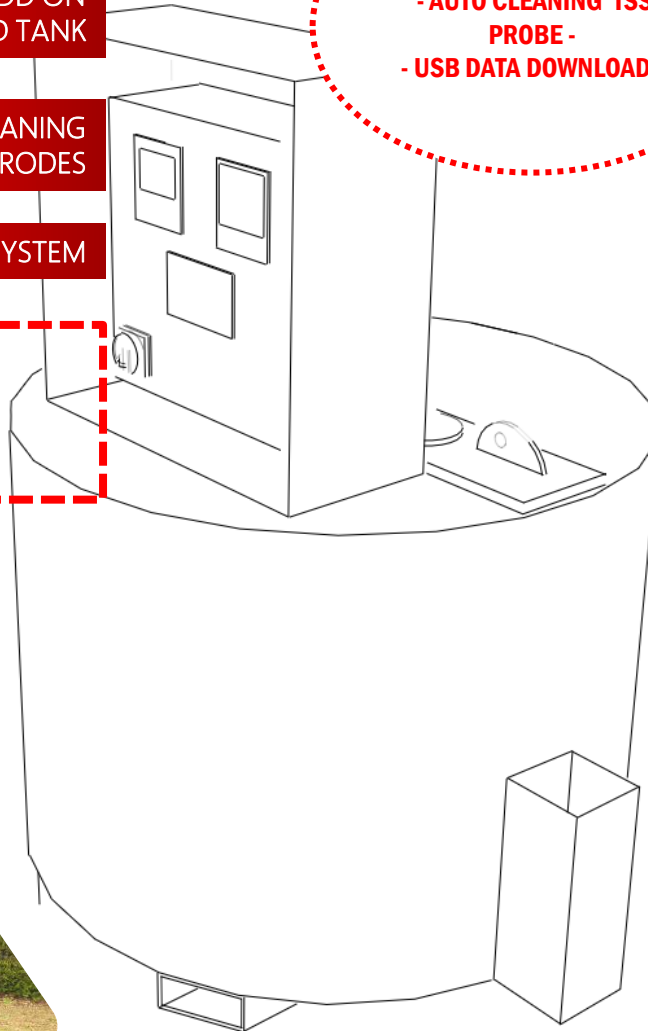
- AUTO CLEANING TSS PROBE -
- USB DATA DOWNLOAD -

KELLY TANKS

Real time monitoring and data logging equipment to measure and log quality of water.

An easy to use system that gives real time telemetry readings and downloadable data logging. The ideal solution for Monitoring Water Quality Onsite.

- pH Monitoring
- TSS (Total Suspended Solids) Monitoring
- Data Logging



Dims (mm) approx.

Weight approx.

1200 (L) 1200 (W) 1675 (H)

900kg

Power Required

Consumables

110V
min 2.75kVa

- CO2 (optional) to keep electrodes auto cleaned

Water Quality Monitoring

For Hire, Sales or more info call us on 01889 508944



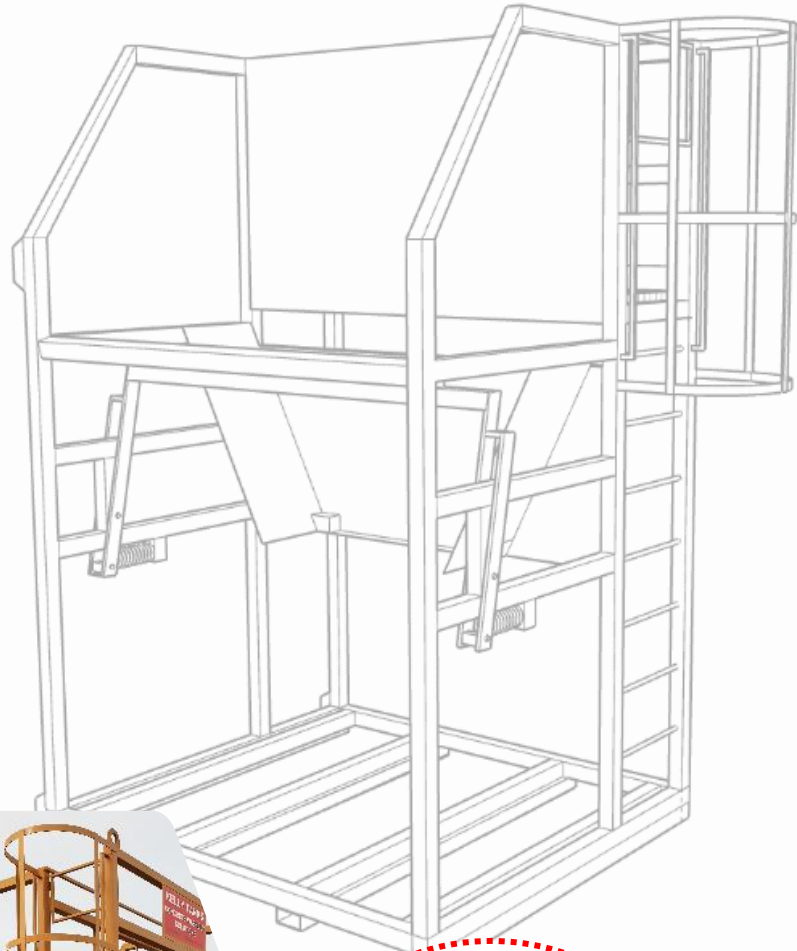
**SIMPLE TO SET UP,
SIMPLE TO OPERATE**

**SAFE WASHOFF
OR STORAGE**

**FITS ANY SKIP
UPTO 2000LTR**

**ROBUST WITH
FORK POCKETS
& LIFTING EYES**

**NO MANUAL
ADJUSTMENT REQUIRED**



KELLY TANKS

The ideal solution for washing out Concrete Skips onsite

Designed with a unique mechanism to allow different size skips to slot into position without manual adjustments. Spring action loaded bar that adjusts automatically to accommodate different size skips.

Concrete Skip Washout Frame compatible with Kelly Tanks Concrete Washout System & various size Concrete Skips to create environmentally safe, easy to use, washout recycling system.



**CAN BE USED WITH OR
WITHOUT KELLY TANKS
CWS - OUR CWS
CONCRETE WASHOUT TO
REATIN SOLIDS AND
RECYCLE WATER FROM
WASH OFF**

Dims (mm) approx.	Weight approx.
3610 (L) 1575 (W) 1730 (H)	1400kg

Concrete Skip Frame

For Hire, Sales or more info call us on **01889 508944**

KELLY TANKS

FORK POCKETS ON THREE SIDES

RETAINING PINS ENABLING TRAY TO BE TIPPED

SWIVEL LIFTING EYES ON EACH CORNER

ROBUST WITH FLAT BOTTOM FLOOR

2" BALL VALVE & BAUER FITTING OUTLET

Simple, easy to move/manoeuvre
Washout Tray for capture and disposal of waste.

Also available in bespoke sizes –
enquire for quote.

IDEAL FOR CONCRETE PUMPS – CAN BE USED IN CONJUNCTION WITH THE CONCRETE WASHOUT TO RETAIN SOLIDS AND RECYCLE WATER

Dims (mm) approx.

Weight approx.

2380 (L) 1500 (W) 400 (H)

160kg

Washout/Pump Tray

For Hire, Sales or more info call us on 01889 508944



KELLY TANKS

As we design and build all of our products we can work with you to ensure you get the exact product you require that meets all of your onsite needs

Any of our range can be sprayed in Customer colours at no extra cost

We can bespoke build/design systems and units to suit your requirements.

Please contact us today to discuss what we can do for you.

Bespoke Builds & Add Ons

For Hire, Sales or more info call us on 01889 508944





Thank You

☎ 01889 508944

✉ info@kellytanks.co.uk

🌐 www.kellytanks.co.uk

A large yellow concrete washout tank with a black lid. The lid is open, revealing a white plastic liner. The tank is secured with black straps and metal buckles. The words 'CONCRETE WASHOUT' are printed in large black letters on the yellow side panel.

**CONCRETE
WASHOUT**