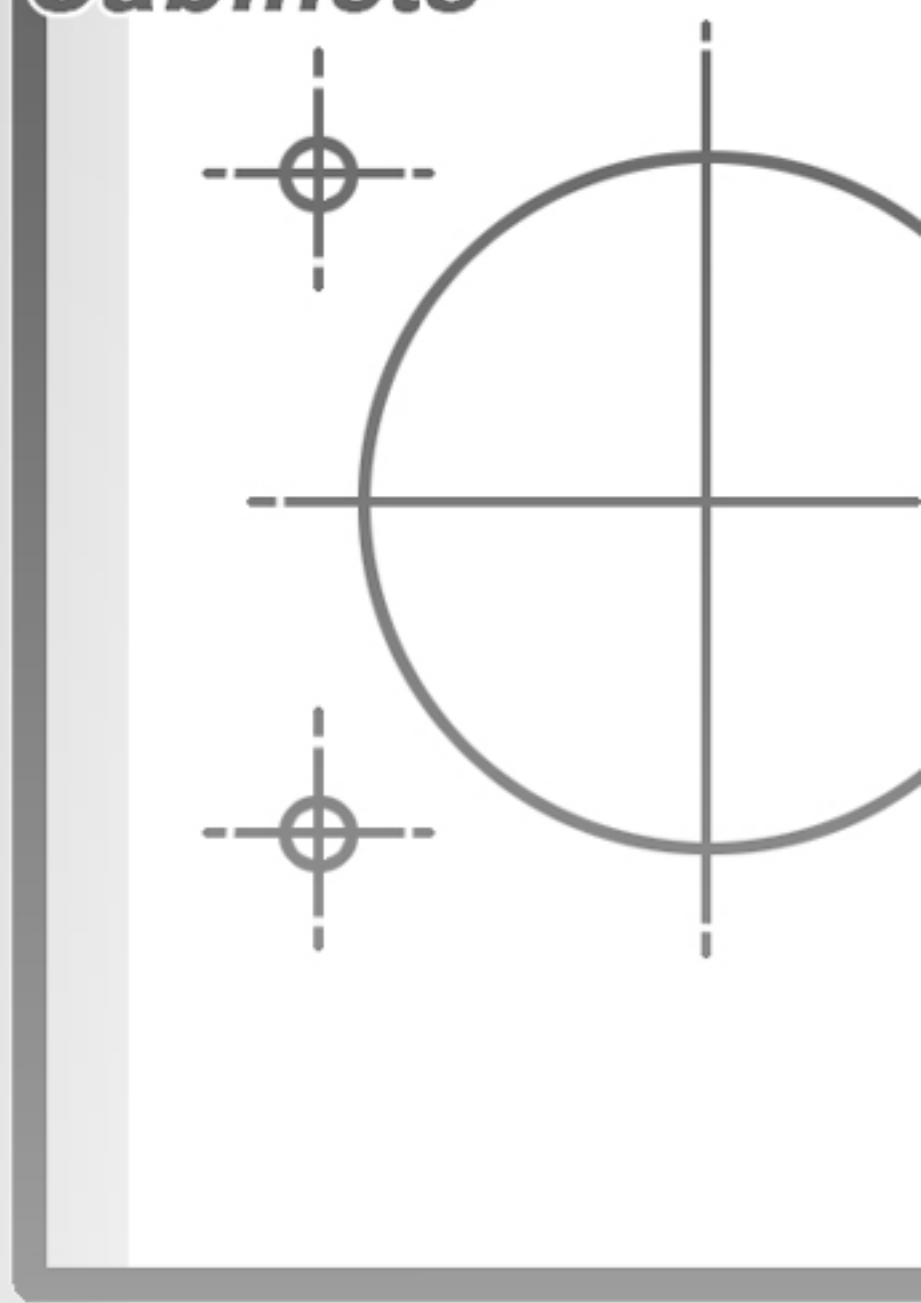


Oil Fill Point Cabinets

Built to BS799



Commercial
FUEL SOLUTIONS



Commercial
FUEL SOLUTIONS

Oil Fill Point Cabinets

Many installations require the filling point for oil storage tanks to be enclosed in a lockable cabinet housed within the fabric of the building or built into a boundary wall to limit access to authorised personnel only. This is easy to achieve by using the OFP Fillpoint Cabinet.

The OFP fillpoint Cabinet conforms with metric brickwork and is available as a standard unit in single, double and triple sizes. The Fillpoint Cabinet can be fitted with screwdown stop valves up to 100mm in diameter, each complete with its own captive dust cap, with lockable versions available as an option.

Available Recessed or Surface Mount, Optional Floor Standing Version

Cabinet Construction

The entire cabinet is constructed from 16 SWG mild steel, coated with a protective aluzinc finish and is provided with grouting strips for building into exterior fabric.

Cabinets are supplied with a grey epoxy powder coating. A shatter proof polycarbonate viewing window is provided as standard for easy reading. Contents gauges are supplied as an extra. Studs are pre installed to accept 150mm gauges. Holes are predrilled to accept Fill Valve assemblies. Internal lighting with automatic switching is also available as an option. The door is completely weather sealed. A supporting gas strut eases opening and closing and maintains a fully open position when required.



Models in the Range

- OFP Single - one fill valve
- OFP Double - two fill valves
- OFP Triple - three fill valves

Available with or without a viewing window

Oil Fill Valve Assemblies c/w Captive Cap & Chain to BS799

- 25mm
- 50mm
- 65mm
- 80mm
- 100mm

Optional Extras

- Lighting & Switching Assembly
- Fill Valve Assembly
- Contents Gauge
- Capacitance Level Controls
- High Level Alarm Panel

Special Features

- Door & Frame Coated in Aluzinc, Then Finished in Polyester Powder Finish
- Lockable Door To Restrict Access
- Accommodates 25mm, 50mm, 65mm, 80mm and 100mm Fill Valves (Conforming to BS 799 Part 1)
- Polycarbonate Vandal Proof
- Conforms With Metric Brickwork
- Gas Filled Support Strut
- Stainless Steel Versions Available To Special Order
- Non Standard Versions Available To Customers Own Specifications



Commercial
FUEL SOLUTIONS

