

---

# minimal windows®

THERMALLY BROKEN PIVOT DOOR

PRODUCT DATA



# minimal windows® pivot door

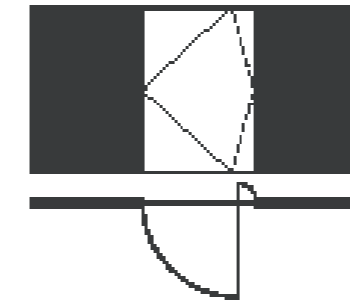
## Technical Product Overview

A minimal, fully tested pivot door for expectational weather tightness and slim frames. The minimal windows® Pivot Door is the first fully tested pivot door on the market. Fully tested as and intended to be used as a door, the aluminium pivot door offers a slim thermally broken profile. The system includes a unique magnetic weather seal at the base for exceptional performance.

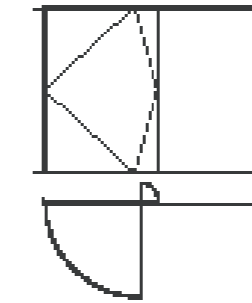
**System Overview** Available in the standard minimal windows profile or the minimal windows 4+ profile for higher performance

	minimal windows Pivot	minimal windows 4+ Pivot
Glazing	Double glazing	Triple / double glazing
Typical spec	6/8mm TXD outer / 16mm argon filled cavity / 6/8mm TXD inner with lower e coating	8mm TXD outer / 16mm argon filled cavity / 8mm TXD middle / 16mm argon filled / 8mm TXD inner with low e coating
Glass thickness	26mm-34mm	40mm-56mm
Typical Ug value	1.0 W/m2K	0.8 W/m2K
Vertical profile sightline	21mm	26mm
Max sash weight	250kg	350kg
Max sash dimensions	1800mm wide x 3000mm high	1800 wide x 3000mm high
Barrier-free accessibility	DIN 18040-1, DIN 18040-2	DIN 18040-1, DIN 18040-2
Air permeability	Class 4 according to EN 12207	Class 4 according to EN 12207
Water resistance	Class 6A according to EN 12208	Class 7A according to EN 12208
Wind load	Class C2/B3 according to EN 12210	Class C3/B4 according to EN 12210
Security	RC2 according to EN 1627	RC2 according to EN 1627

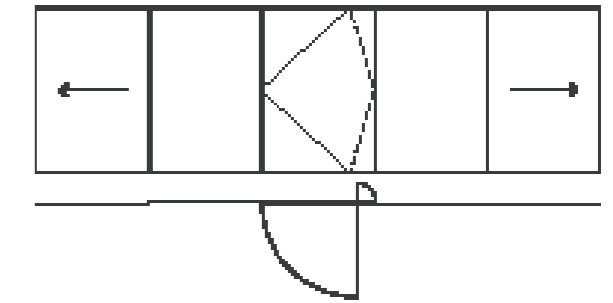
## Configurations



single door



door with side light



door within glass facade

## Glass Specification

**Glazing** Available with double or triple glazing

**Glass Options** Available on request - Any coated or laminated glass type, including Low Iron Glass, Solar Control Coating, Bird Protection Glass and more...

## Base detail

**Magnetic weather seal** Integrated, automated weather seal within the base frame, clips into place when the door is closed

**Flush threshold** Base frame is designed to be completely flush with internal and external floor finishes

**Integrated drainage** System comes with integrated external evaporation channel to collect and move surface water

## Ironmongery

**Locking** Integrated 2 point lock operated via trust lever internal handle (type 1 lock) or internal removable key (type 4). External lock is available.

**Handles** Doors are operated via vertical door profile, no additional handles required

**Pivot** Stainless steel, minimal distance of 150mm from the closing edge of door leaf

**Frame** Ultra slim aluminium, thermally broken framing

**Vertical sightline** 21mm profile with integrated lock and pull handle / 26mm for 4+ system

**Finish** Frames can be PPC or any RAL colour

**Integrated glazing bars** Aluminium glazing bars can be applied to the surface of the glass in specified pattern

**Maximum size** 1800mm wide x 3000mm high. Larger sizes may be available on request

**Base detail** Fully flush with integrated drainage. High-quality magnetic sealing strip in base for high-spec weather seal



### The Bevel Extension

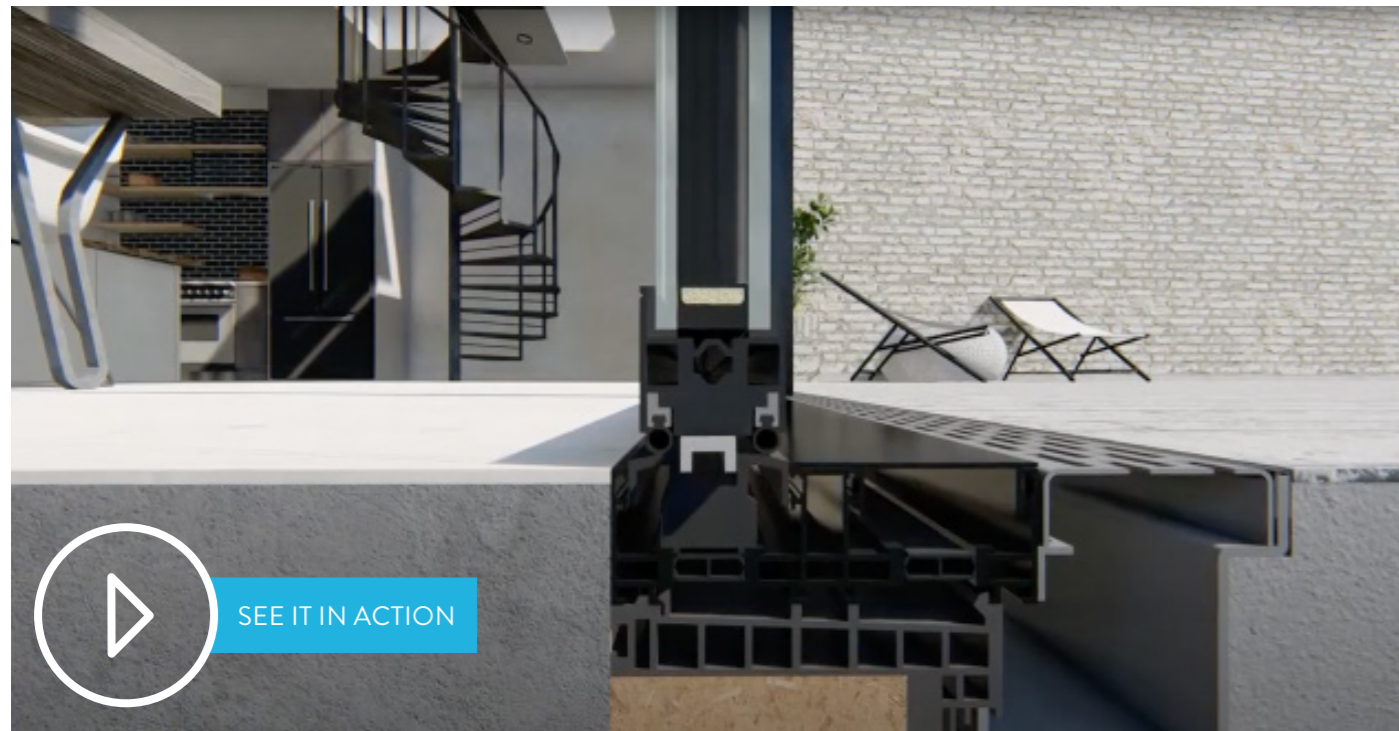
This unique glazing design compliments the contemporary interior, styled with a combination of dark and light furnishings to contrast the airy and light-filled space. When the Pivot Door is open it leads the occupants out into a rear courtyard, with steps leading up into a raised garden where the homeowners can enjoy the outdoors during the Summer months.

Architect Yard Architects  
Bayswater, London, UK  
Images by French + Tye

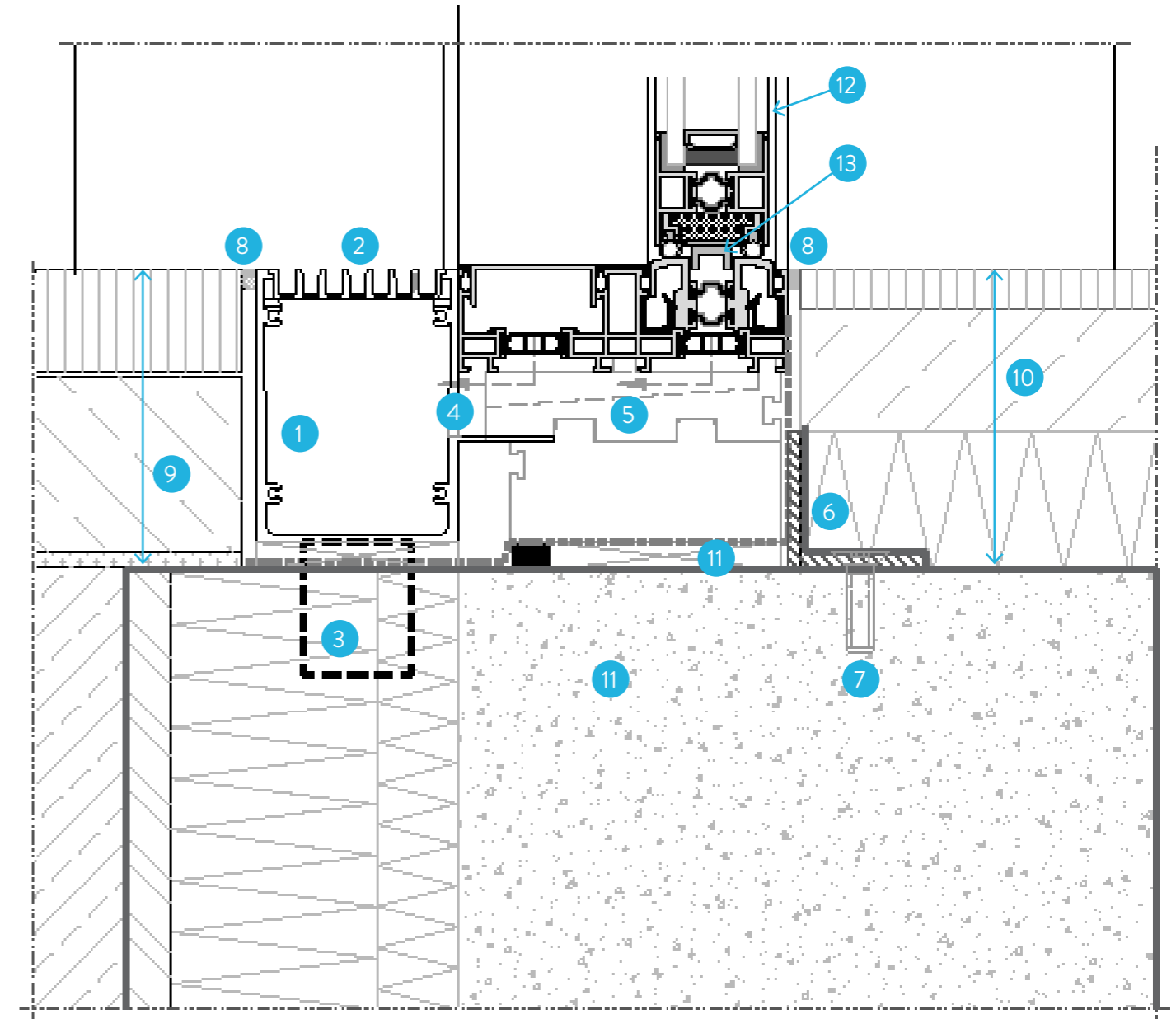
# minimal windows<sup>®</sup> pivot door

## Base details

A key unique design feature of the minimal Pivot Door is its magnetic weather sealing base detail. When the Pivot Door is moved to the closed position the magnetic weather bar rises up from the flush base frame. This slots into place within the pivoting door leaf creating a highly performing weather seal at the base of the door. Paired with an integrated water channel the system offers a high level of protection against driving rain from a slim framed, minimal system.



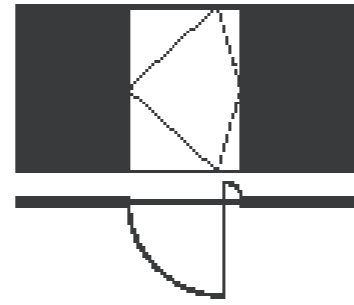
- 1 IQ drainage
- 2 IQ drainage cover
- 3 Drainage outlet
- 4 Water route
- 5 IQ drainage block
- 6 Intermittent fixing strap
- 7 Anchor screen
- 8 Decorative seal by others
- 9 External floor structure
- 10 Internal floor structure
- 11 Upstand / supporting structure
- 12 Pivoting sash
- 13 Automatic gasket



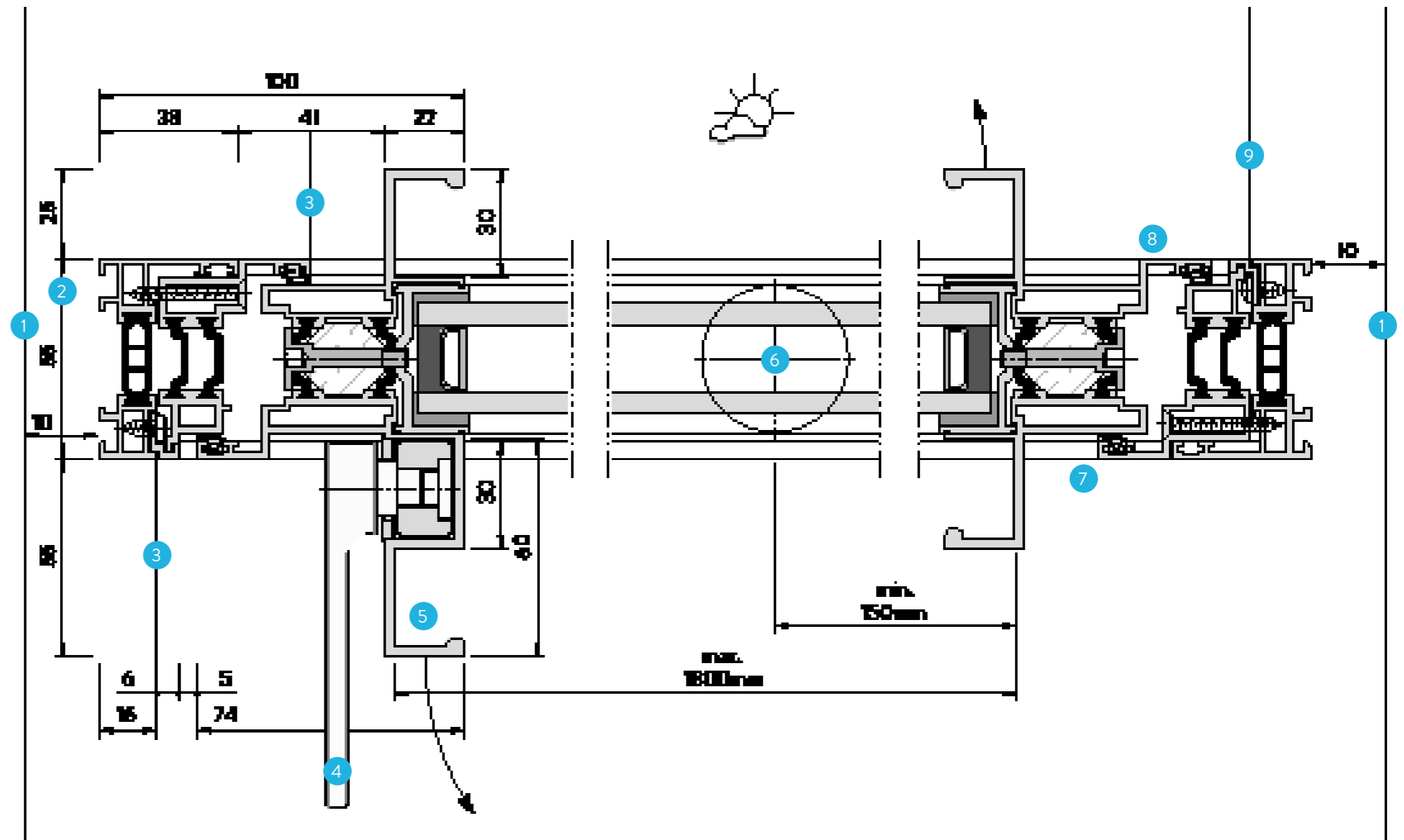
# minimal windows<sup>®</sup> pivot door

Single door

The Pivot Door can be used as a single door within a solid wall construct. Outward/inward opening. Fixed frames can be hidden by building finishes.



- 1 Structure
- 2 Low modulus silicone between structure and frame
- 3 Finish line
- 4 2 point 180° locking handle (shown at 90°)
- 5 Integrated pull handle
- 6 Pivot point
- 7 Rebated frame
- 8 Rebated sash with compression gasket
- 9 Intended finish line



## Ravendson Street

The wide opening of these doors allows the internal space to be merged with the external space with step-free access. The flooring used both internally and externally is continuous, enhancing this merge. The side return extension has been built with a similar brick to blend in well with the original property. The Pivot Doors have a gold effect powder coated frame, providing an elegant and contemporary design to the more traditional style side return extension. The same powder coated colour has been used internally to add more elegance to the already stunning all-white kitchen and dining space.

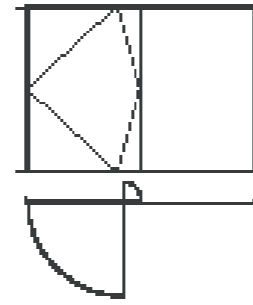
Architect Alexander Owen Architects  
Kennington, London, UK



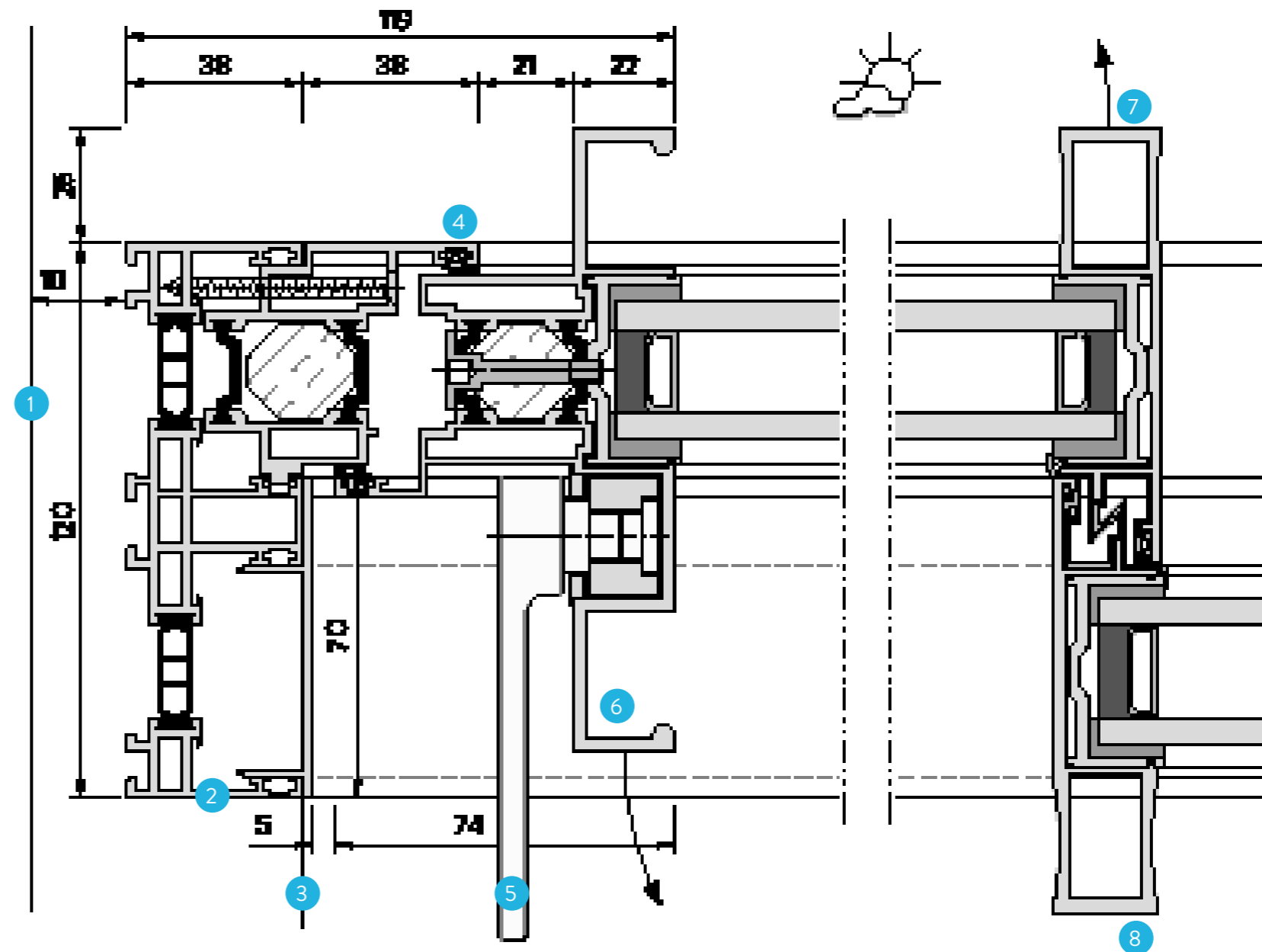
# minimal windows® pivot door

Door with side light

The Pivot Door can be used as a single door with a large fixed sidelight. Outward/inward opening. Two tracks.



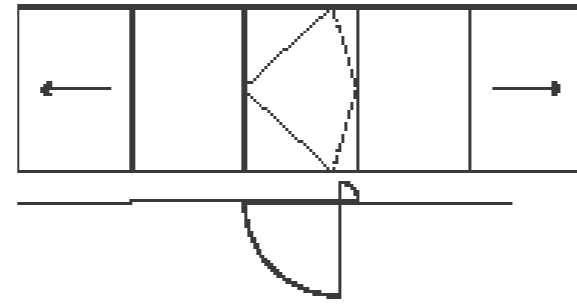
- 1 Structure
- 2 Perimeter frame
- 3 Inward finish line
- 4 Rebated sash with compression gasket
- 5 Locking handle
- 6 Integrated pull handle
- 7 Minimal windows interlock profile (to vary depending on panel size & windload)
- 8 Sliding / fixed panel



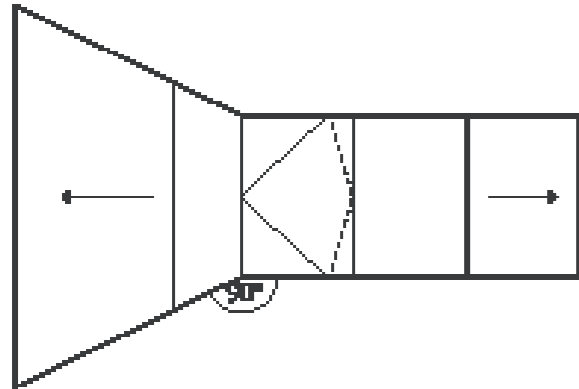
# minimal windows<sup>®</sup> pivot door

Door within glass facade

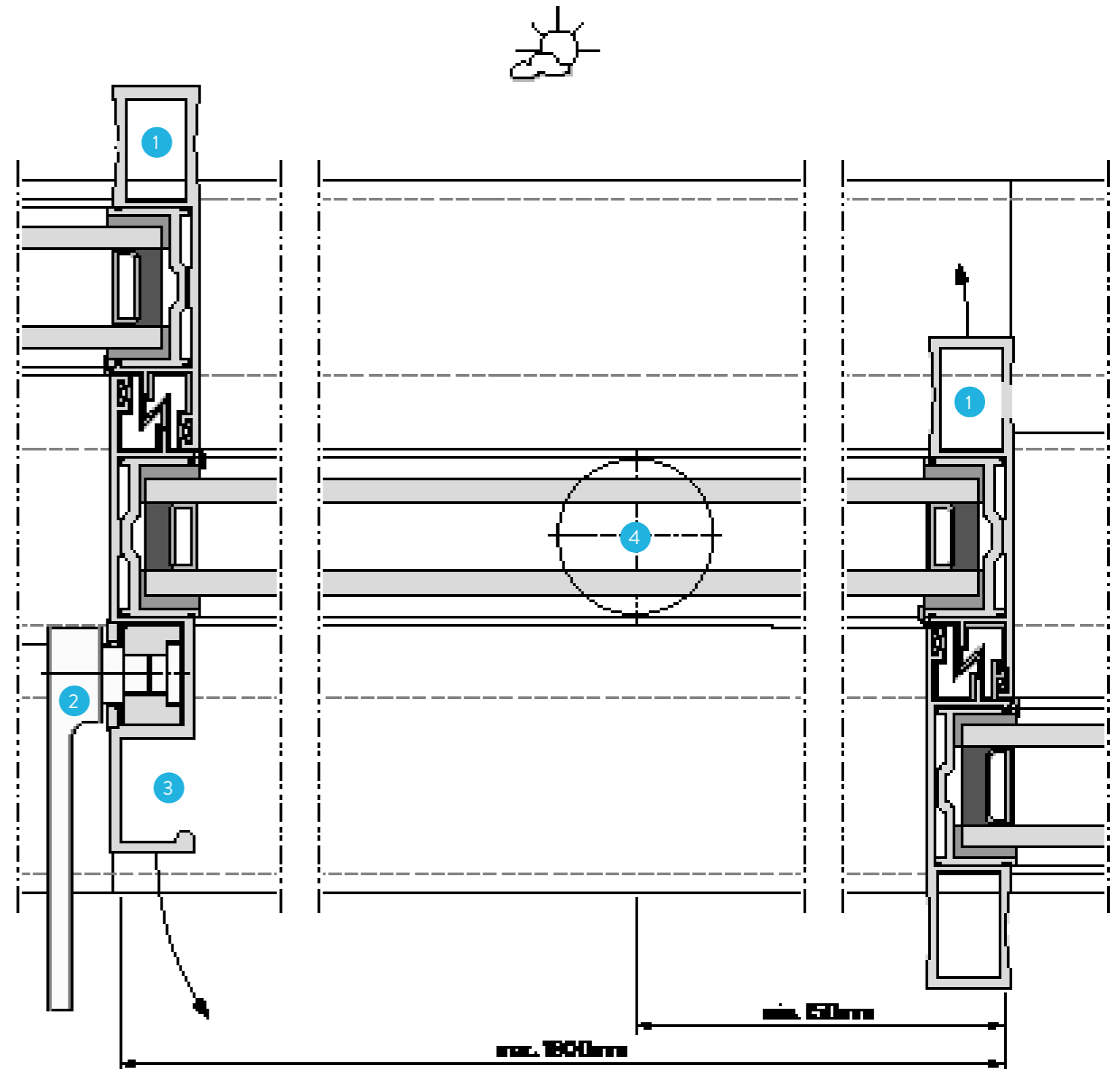
The Pivot Door can be integrated into a larger glass façade of fixed glazing and slim sliding doors. Out-ward/inward opening



- 1 Vertical interlock 21mm
- 2 Integrated lock
- 3 Integrated pull handle
- 4 Pivot point



The Pivot Door can be integrated in a larger glass façade, meeting glass at a 90° corner. Outward/inward opening





## Princelet Street

The steel and glass of the pitched roof are fixed directly to the brick walls that form the shape of the extension. Previously used to separate the garden from its neighbouring properties, the brick walls on either side of the roof were preserved to create exposed brick walls inside the extension. At the end of the extension, a double set of Pivot Doors allow for seamless travel between inside and outside areas. When closed, the pivot's give the look of a double set of casement doors, only revealing their bespoke nature when opened.

Architect MacKenzie Wheeler Architects  
Spitalfields, London, UK



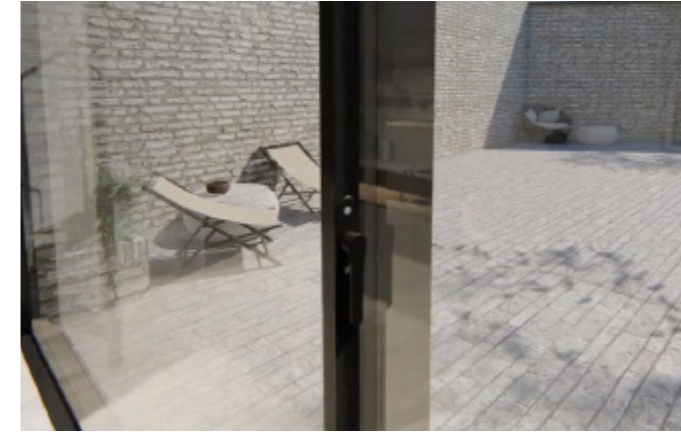
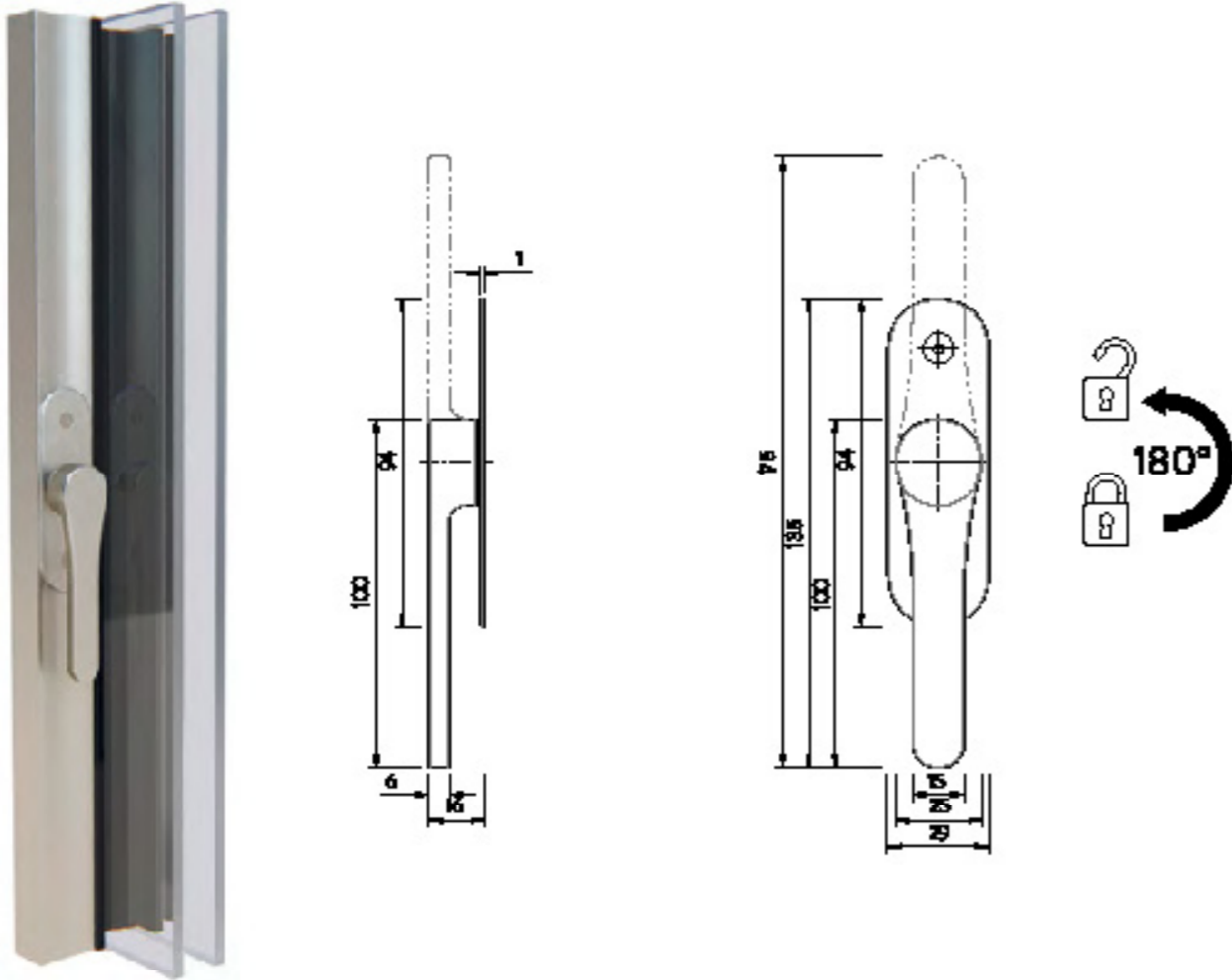
# minimal windows<sup>®</sup> pivot door

## Locking options

The minimal windows<sup>®</sup> Pivot Door locking options are a manual thrust lever lock and a manual key lock. Discreet and accessible, both locking options are designed to ensure excellent performance and achieve high levels of security.

### Lock type 1: Manual thrust level lock

The manual thrust level lock is a simple and easy way to move the steel bolts that secure the pivot door. Simple and minimalistic, this is the most popular handle and lock choice for these types of systems.



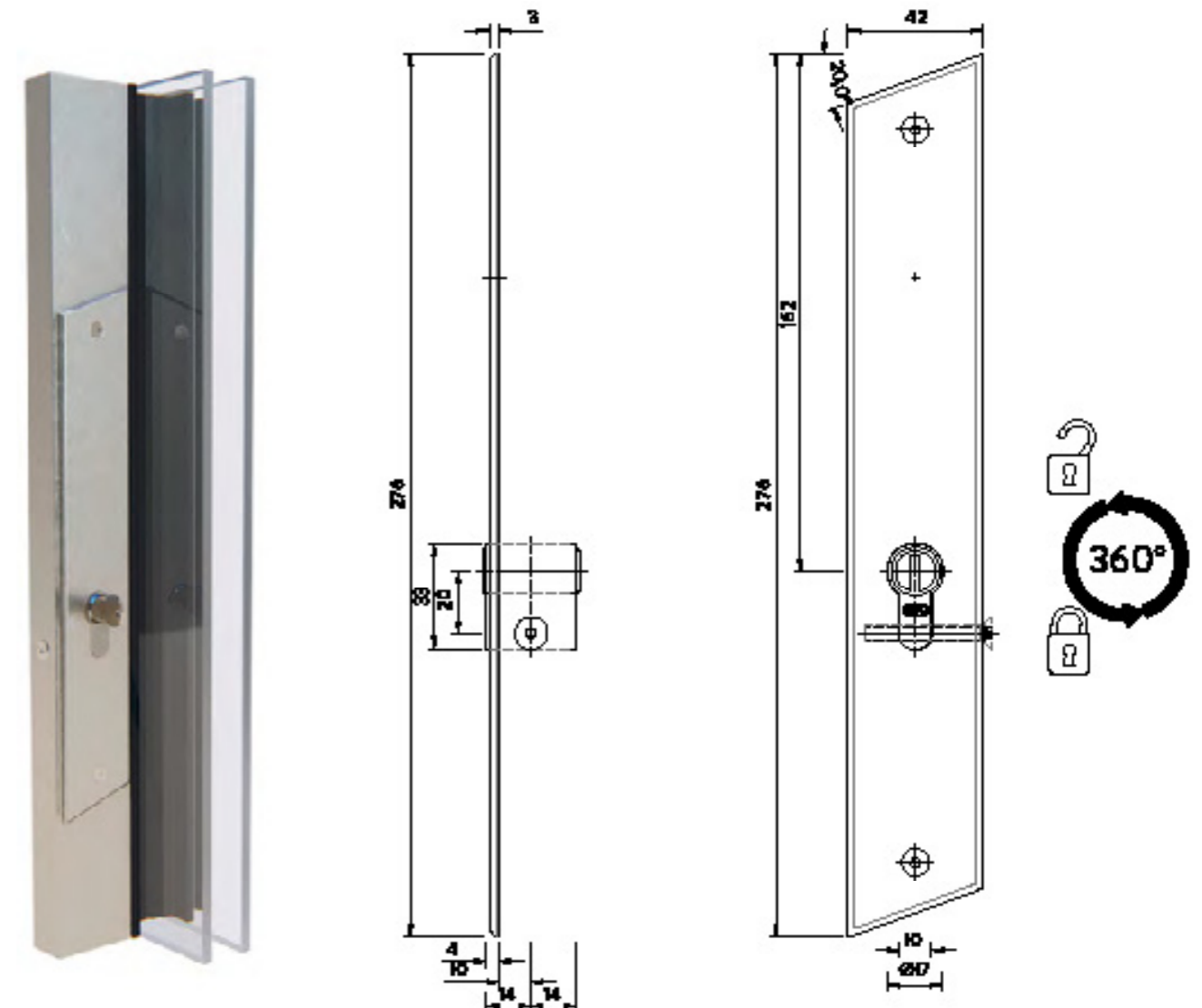
Lock type 1



Lock type 2

### Lock type 4: Manual internal key lock\*

Euro cylinder key locking is available for the minimal windows pivot door. These keylocks can increase the security of your pivoting door system, however the right locking mechanism for each project depends largely on the clients desires.



\* Lock Type 4- Only compatible with a junction profile.

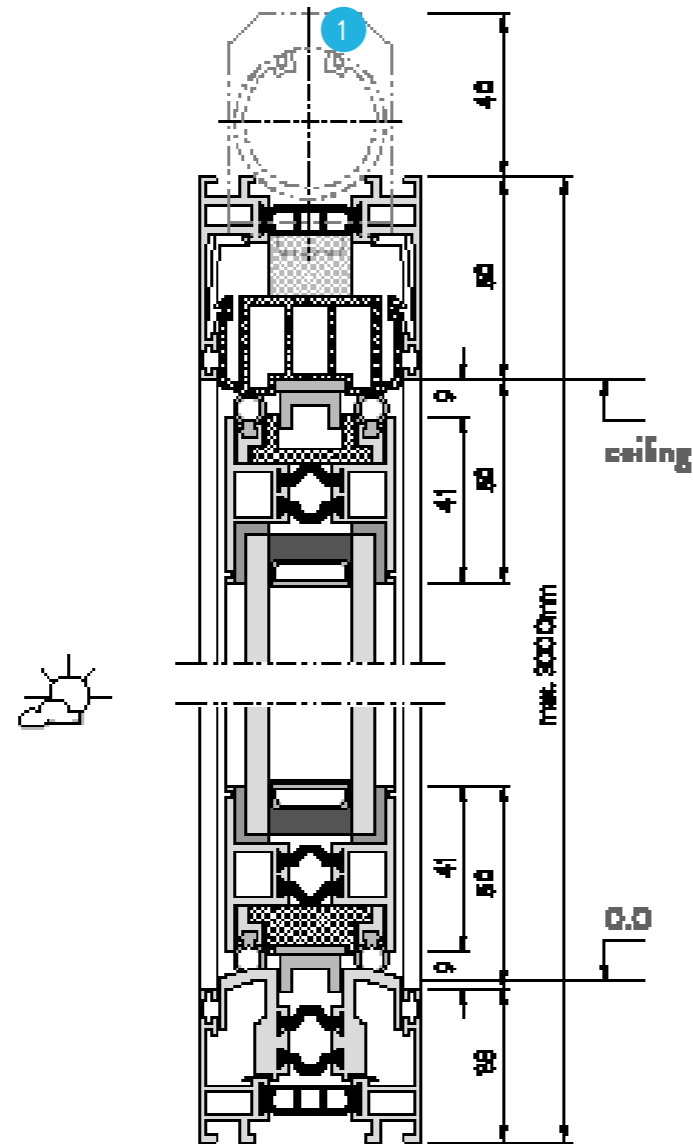
# minimal windows<sup>®</sup> pivot door

Optional features

## Optional

You can opt to include a door closure within the pivot opening.

1 Optional door closer



## Optional integrated glazing bars

An integrated glazing bar design is available to create a timeless glazing aesthetic. Aluminium glazing bars are applied to the surface of the glass with a dummy spacer bar behind, for an authentic glazing bar design. All glazing bar designs are bespoke and made to order.



Max. glass size 1800 x 3000mm per glass unit\*



Glazing bar size 25mm wide



Colour to match surrounding frames\*

\*recommended size - larger sizes may be available on request / \*alternative colours available on request

# minimal windows® pivot door

## How to Specify

- UK manufacturer for guaranteed supply
- Efficient lead times
- Fully tested for wind loading
- Fully thermally broken frame
- Flexible design for use with structural glazing
- Bespoke or large sizes available upon request

The minimal windows® Pivot Door system is exclusive to IQ Glass in the UK. The aluminium window system is the first choice for architects and designers all over the UK looking for slim frame design with modern performance values. If you would like to specify a minimal window® Pivot Door on your project just speak to the team at IQ who would be happy to assist.

### Speak to the team at IQ

The team at IQ are the experts in our product range. If you are considering using a minimal window® Pivot Door product on your project speak to the team at IQ who will be able to advise you on the best solution for your intended design, ensure that all specification criteria are met and advise the feasibility to areas of the installation you may not have considered.

### Get a Quotation

We advise our customers to get a quotation for their intended minimal window® Pivot Door installations from IQ. This allows us all to ensure that the preferred product and design is within budget. If it is not we can help you adjust the specification to reach all performance, design and budgetary requirements.

### Add us to your NBS Specification

To assist you in specification we have created individual NBS Specification sheets for the minimal window® Pivot Door product. These, easy to navigate, documents contain all the vital information needed for specification. They are available for you to complete on your own, alternatively ask your sales representative at IQ to complete this on your behalf

### Place the Order

When ready you (or your client or the builder) can then place the order for your minimal window® Pivot Door with us. A full in-house handover will take place and your project will be passed to the contracts and design team. Once your project deposit is placed we will then undertake full design drawings for the installation and any other additional glazing works. Please allow at least 20 working days for the design process.



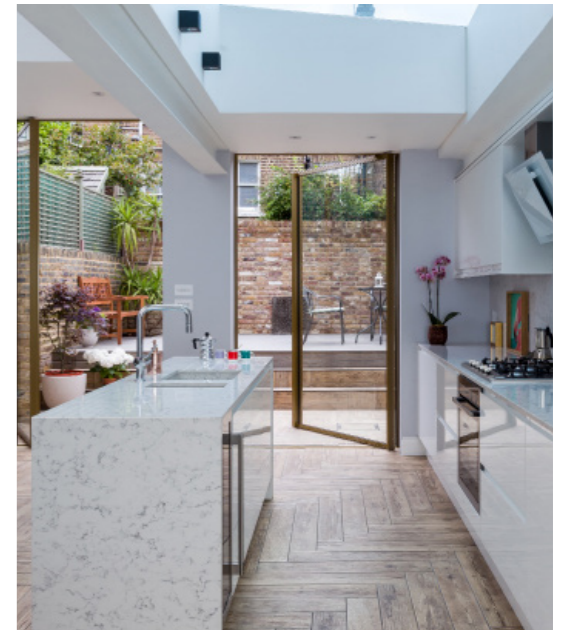
- Frameless glazing design
- Designed for effective installation
- Curved and triple glazing possible
- High performance glass specification
- A range of additional glass finishes possible
- Fully realised solution

The project will be appointed a dedicated contracts manager who will oversee the installation process. The estimated lead time for a minimal window® Pivot Door is 10 to 12 weeks depending on system and material chosen. This may be longer for specialist installations. This will be confirmed on order.

### Where can I see the system before order?

We have a minimal windows® Pivot Door available to view at our showroom in Amersham. These aluminium windows have been installed in a purpose built structure, exposed to the environment and used on a day to day basis. This will enable you to see just how well the minimal windows® Pivot Door system smoothly operates over time.

If you or your clients would like to see the minimal windows® Pivot Door in person just contact us and arrange an appointment at the showroom. touch with your sales representative.



# the minimal windows pivot door

See the Minimal window door at the showroom

If you would like to make an appointment to view the minimal windows® please get in touch with your sales representative at IQ.

The minimal windows pivot door is available to view throughout the Sky House Design Centre.



[Click here to view videos of our showroom](#)



## **IQ Headquarters**

Sky House, Raans Road,  
Amersham, Buckinghamshire  
HP6 6JQ, UK

01494 722 880

[hello@iqglassuk.com](mailto:hello@iqglassuk.com)

[www.iqglassuk.com](http://www.iqglassuk.com)