

ARVIS

Designers & Manufactures of Bearing Housings

The background of the lower half of the page is a dark blue field filled with a faint, light blue technical drawing of a bearing housing. The drawing shows various geometric features, including a central bore, a flange, and a mounting surface. Numerous dimension lines and numerical values are scattered across the drawing, such as 'R4', '73', '35', '79', '160', 'T3', '22.5', and '55'.

ARVIS® SELF-LUBES

CONTENTS

03	Introduction
05	Self-Lube
06	Steel Take Up Units - ST SERIES
08	Steel Plummer Block Housings - MP SERIES
10	Steel Plummer Block Housings - NP SERIES
12	Steel Plummer Block Housings - SL SERIES
14	Steel Plummer Block Housings - UCP 200 SERIES
16	Steel Plummer Block Housings - UCP 300 SERIES
18	Steel 2 Bolt Flange Units - SFT SERIES
20	Steel 2 Bolt Flange Units - MSFT SERIES
22	Steel 2 Bolt Flange Units - UCFL 200 SERIES
24	Steel 4 Bolt Flange Housings - SF SERIES
26	Steel 4 Bolt Flange Housings - MSF SERIES
28	Steel 4 Bolt Flange Housings - UCF 200 SERIES
30	Special Arvis® self-lube bearing units

INTRODUCTION

The company has developed a range of Steel Bearing Housings to replace standard cast iron housings.

Heavy-duty steel housings for self-aligning ball bearing inserts. For use in arduous conditions where cast iron units break due to shock or vibration.

These housings eliminate breakages and therefore reduce downtime and save you money.

The Arvis Guarantee: All steel housings designed and manufactured by ARVIS are guaranteed against breakage and will be replaced free of charge should the housing fail before the insert. You will also receive a free replacement rolling element.

- » STEEL PILLOW BLOCKS
- » STEEL 4 BOLT FLANGE HOUSINGS
- » STEEL 2 BOLT FLANGE HOUSINGS
- » STEEL TAKE UP UNITS
- » Interchangeable with other manufacturers cast iron units
- » Guaranteed against breakage
- » Special housings designed to your requirements

Arvis® Self-Lubes are being used extensively throughout the world for the past 40 years in the following industries:

- » Steel works
- » Quarry plant
- » Agricultural plant
- » Conveyors
- » Materials and handling
- » Food machinery
- » Printing machinery
- » Heating and ventilation
- » Lifts and cranes
- » Machine tools
- » Furnaces
- » Foundry plant
- » Hosiery Machines
- » Textile Machinery
- » Mining equipment
- » Special purpose machinery
- » Bakery equipment
- » Chemical plant
- » Marine applications



SELF-LUBE

Self-Lube Bearings or Housed Bearings are bearing units where the housing can be manufactured in Cast Iron, Cast Steel, Stainless Steel, Plastic and Pressed steel.

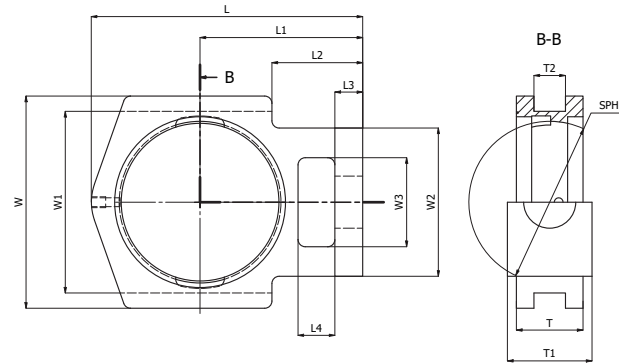
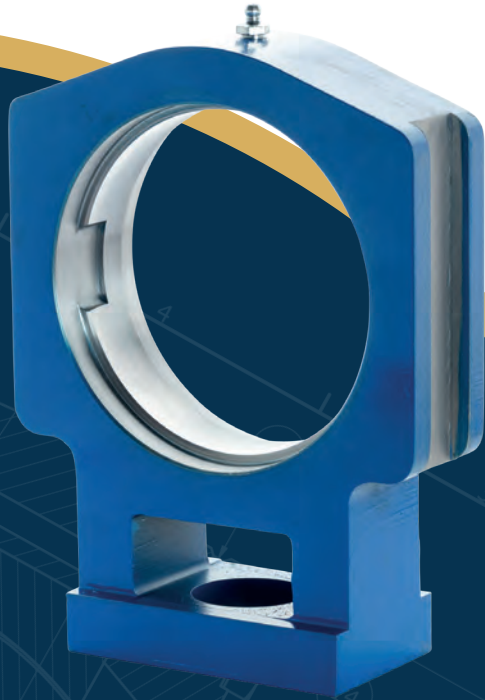
The insert bearings contained are basically deep groove ball bearings with integral design features making them more functional and versatile than the standard ball bearing.

The inserts have a wide inner ring and are generally used within bearing housings.

They are basically deep groove ball bearings similar to the 6200 popular metric series of bearings. Bearing inserts have a radial internal clearance of C3 for standard bearing inserts and they are offered with either parallel or spherical outside diameter outer rings.



ST SERIES



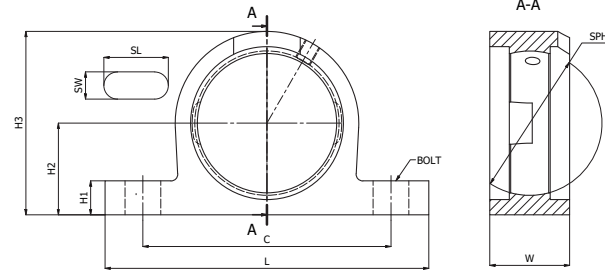
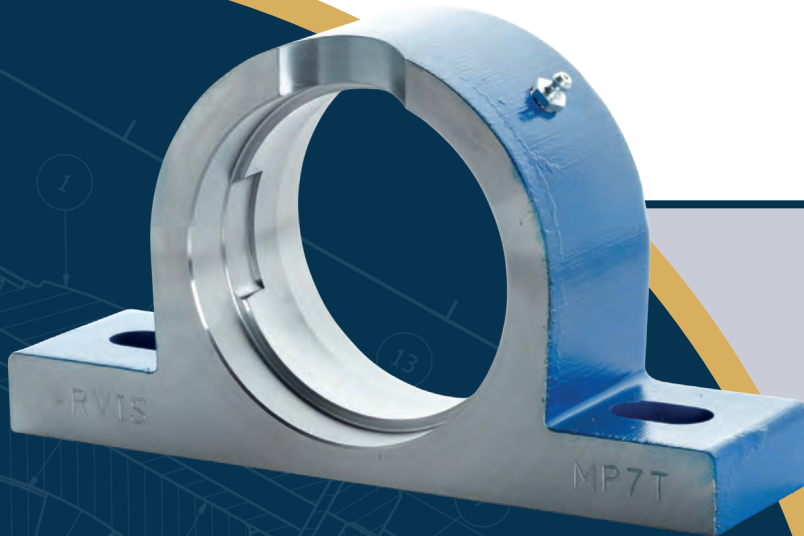
Heavy-duty Steel Take Up Units for self-aligning ball bearing inserts.

For use in arduous conditions where cast iron units break due to shock or vibration. Guaranteed against breakage.

Part No.	BRG*	Ø Sphere	L	L1	L2	L3	L4	w	W1	W2	W3	T	T1	T2
ST3T	1025	52	98	62	36.5	11.5	16	88.5	76	58.5	32	27.5	36	13.5
ST4T	1030	62	116	71.7	43	12.5	16.5	101.5	89	64.5	37.5	30	36.5	13.5
ST5T	1035	72	124	75.5	43	12.5	16.5	101.5	89	64.5	37.5	30	36.5	13.5
ST6T	1040	80	144	89.2	50.5	15.5	20.5	118	101	82.5	49.5	37	49.5	17.5
ST7T	1045	85	147	89.2	50.5	15.5	20.5	118	101	82.5	49.5	37	49.5	17.5
ST8T	1050	90	151	90.5	50.5	15.5	20.5	118	101	82.5	49.5	37	49.5	17.5
ST9T	1055	100	182	114	70	19	32	146	130	101	64	46.5	63.5	27
ST10T	1060	110	192	119	70	19	32	146	130	101	64	46.5	63.5	27
ST11T	1070	125	224	136.5	76.2	20.6	31.8	166.7	151	111	70	51	68	27
ST12T	1075	130	229	140	79	21	32	167	150.8	111	70	51	68	27
ST13T	1080	140	235	140	79	21	32	184	165	111	70	54	68	27

To suit any manufacturers, insert *

MP SERIES



STEEL PILLOW BLOCKS

Guaranteed against breakage.

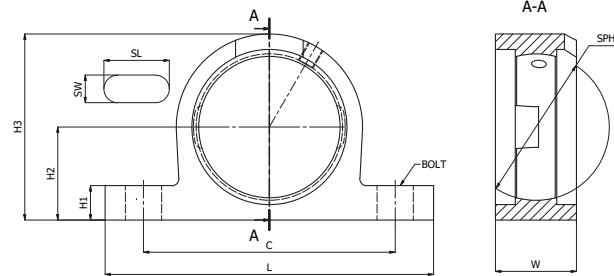
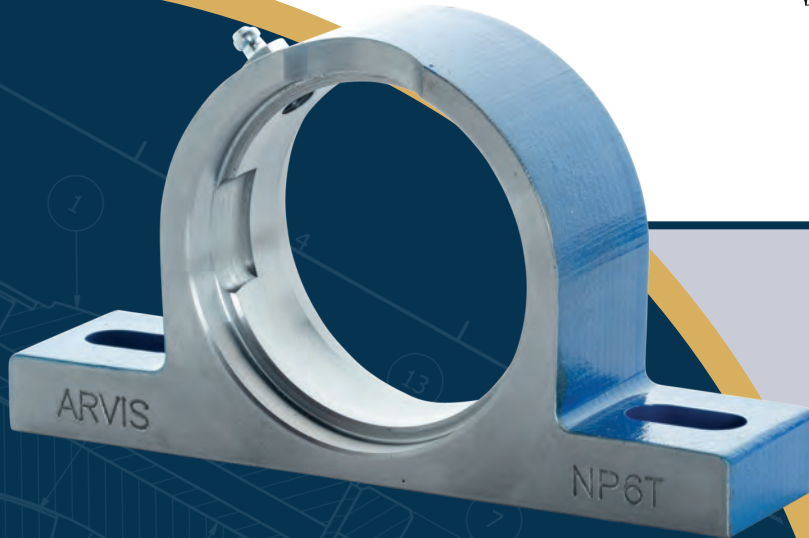
Heavy-duty steel housings for self-aligning ball bearing inserts.

For use in arduous conditions where cast iron units break due to shock, vibration, over-load, or impact.

Part No.	BRG*	Ø Sphere	L	C	W	H1	H2	H3	SL	SW	BOLT
MP1T	1030	62	160.5	121.25	39	18.3	44.45	84.5	20	14	M12
MP2T	1035	72	166	129	43	17.5	47.6	93	19.5	14	M12
MP3T	1040	80	203	147.5	48.5	23	53.98	106.5	24.5	14	M12
MP4T	1045	85	220	156	48.5	25	58.72	116	33	18	M16
MP5T	1050	90	222	158.75	48.5	22.5	58.72	117.5	30	18	M16
MP6T	1055	100	220	170	57	25	63.5	129.5	24	18	M16
MP7T	1060	110	260	187.5	68	27	69.85	143	34	22	M20
MP8T	1070	125	286	206.9	73	27	76.2	159	38.9	22	M20
MP9T	1075	130	330	230.8	78	28.6	88.9	178	50	26	M24
MP10T	1080	140	330	241.8	83	42	88.9	184	37.8	26	M24
MP11T	1085	150	381	288.75	88	31.8	101.6	203	52.8	26	M24
MP12T	1090	160	381	282.6	93	33.3	101.6	210	61	26	M24
MP13T	3095	200	432	336.55	103	40	127	254	59	26	M24

*To suit any manufacturers, insert **

NP SERIES



STEEL PILLOW BLOCKS

Guaranteed against breakage.

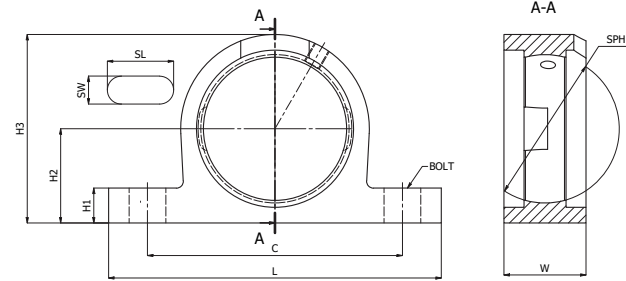
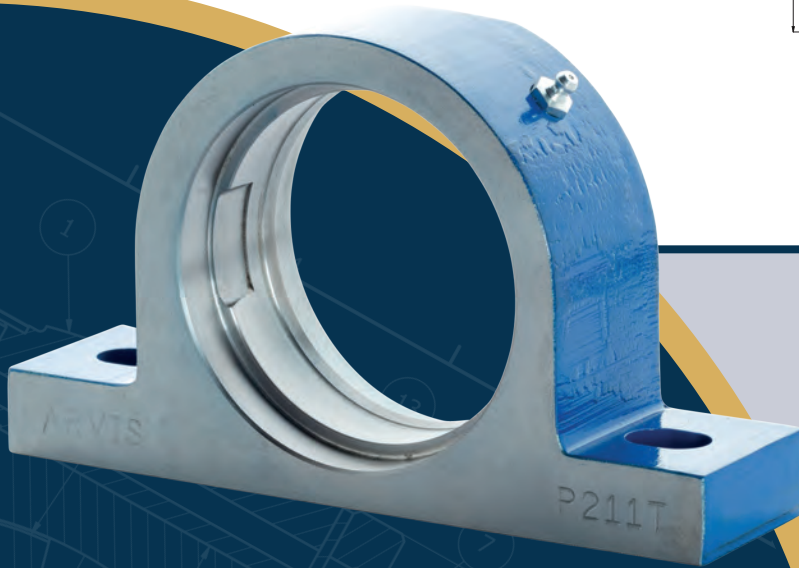
Heavy-duty steel housings for self-aligning ball bearing inserts.

For use in arduous conditions where cast iron units break due to shock or vibration.

Part No.	BRG*	Ø Sphere	L	C	W	H1	H2	H3	SL	SW	BOLT
NP2T	1020	47	127	95	27.5	14	33.3	65.2	19	13	M10
NP3T	1025	52	139	105	32	16	36.5	71	38	13	M10
NP4T	1030	62	161	119	38	17.7	42.9	83	22.5	13	M12
NP5T	1035	72	166	129	43	17.5	47.6	93	19.5	14	M12
NP6T	1040	80	180	137.5	43	18.3	49.2	98.5	28	14	M12
NP7T	1045	85	191	146	47	20	54	108	20	14	M12
NP8T	1050	90	206	158.5	48	21	57.2	115	21	18	M16
NP9T	1055	100	220	170	57	25	63.5	129.5	24	18	M16
NP10T	1060	110	241	184.15	57	22.2	69.9	141.5	24	18	M16
NP10T/65T	1065	120	241	184.15	57	22.2	69.9	141.5	24	18	M16
NP11T	1070	125	266	210	68	28	79.4	156	36	26	M24

*To suit any manufacturers, insert **

SL SERIES



STEEL PILLOW BLOCKS

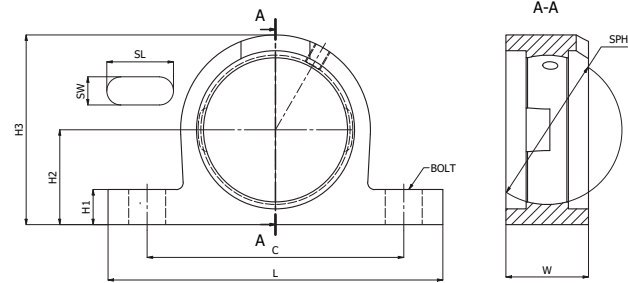
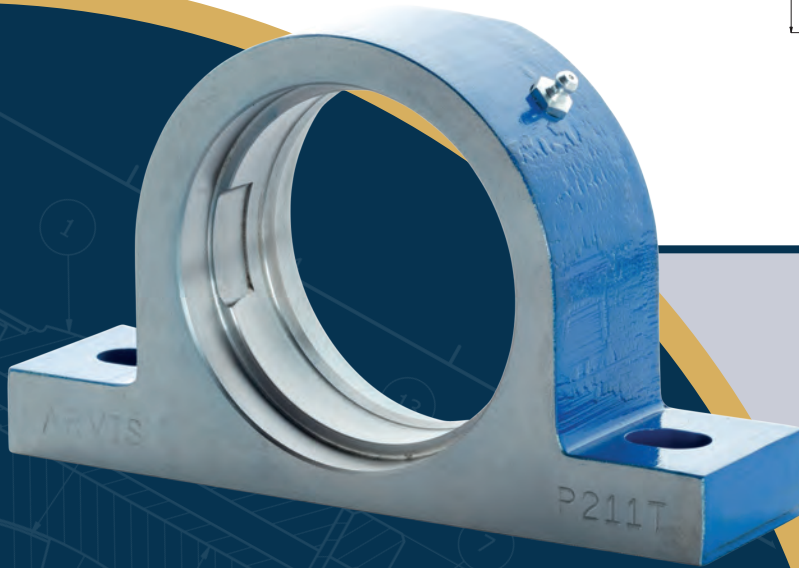
Guaranteed against breakage.

Heavy-duty steel housings for self-aligning ball bearing inserts. For use in arduous conditions where cast iron units break due to shock, vibration, over-load, or impact.

Part No.	BRG*	Ø Sphere	L	C	W	H1	H2	H3	SL	SW	BOLT
SL3T	1025	52	139	104.2	34	12.8	33.32	68.5	24	11	M10
SL4T	1030	62	162	119.5	38	15	39.67	79.5	22.5	14	M12
SL5T	1035	72	166	129	38	16	46.02	91.5	20	14	M12
SL6T	1040	80	180	137.5	43	18.3	49.2	98.5	28	14	M12
SL7T	1045	85	197.5	151.5	43	18.4	52.37	106.5	24	14	M12
SL8T	1050	90	214	164	53	19.3	55.55	114	25	14	M12
SL9T	1055	100	219.5	170.5	57	23.2	61.9	128	24	18	M16
SL10T	1060	110	249	193.7	57	28.5	68.25	138	28	18	M16
SL11T	1075	130	298	231.8	68	34.9	82.55	167	31	22	M20

*To suit any manufacturers, insert **

UCP 200 SERIES



STEEL PILLOW BLOCKS

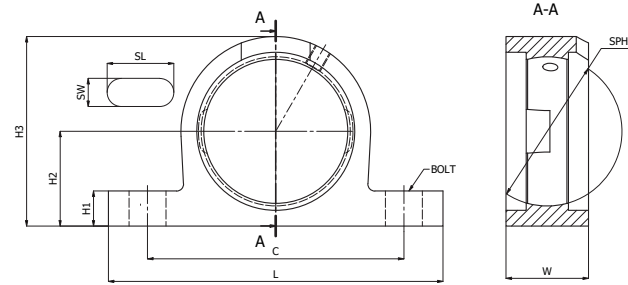
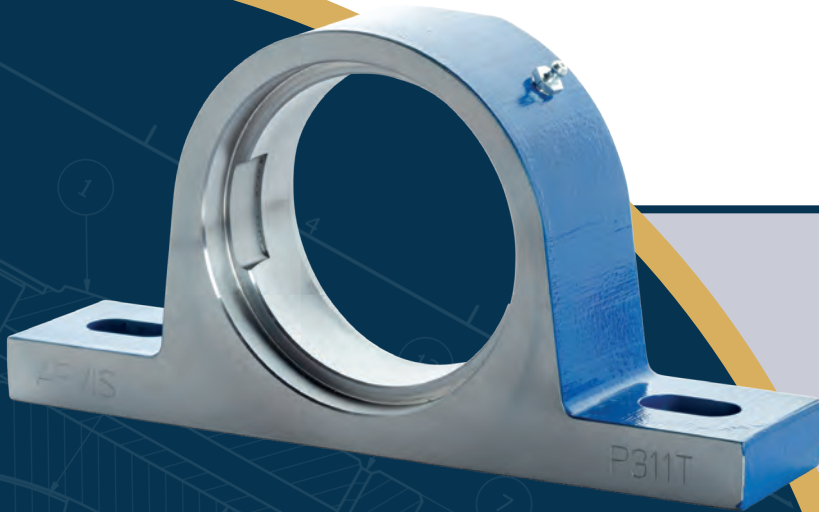
Guaranteed against breakage

Heavy-duty steel housings for self-aligning ball bearing inserts.

For use in arduous conditions where cast iron units break due to shock or vibration.

Unit No	Size imp	Size mm	Hsg only	Brg no	Øsph	L	C	W	H1	H2	H3	SL	SW	BOLT
UCP204T-12E UCP204T-20M	3/4	20	P204T	UC204-12 UC204	47	127	95	31	13	33.3	64	19	12	M10
UCP205T-13E UCP205T-14E UCP205T-15E UCP205T-25M UCP205T-16E	13/16 7/8 15/16 1	25	P205T	UC205-13 UC205-14 UC205-15 UC205 UC205-16	52	139	105	32	16	36.5	70.8	19	12	M10
UCP206T-17E UCP206T-18E UCP206T-30M UCP206T-19E	1 1/16 1 1/8 1 3/16	30	P206T	UC206-17 UC206-18 UC206 UC206-19	62	160.5	121	39	18.3	42.9	84.5	20	14	M12
UCP207T-20E UCP207T-21E UCP207T-22E UCP207T-35M UCP207T-23E	1 1/4 1 5/16 1 3/8 1 7/16	35	P207T	UC207-20 UC207-21 UC207-22 UC207 UC207-23	72	166	129	43	17.5	47.6	93	19.5	14	M12
UCP208T-24E UCP208T-25E UCP208T-40M	1 1/2 1 9/16	40	P208T	UC208-24 UC208-25 UC208	80	180	136	43	18.3	49.2	91.2	24	15	M14
UCP209T-26E UCP209T-27E UCP209T-28E UCP209T-45M	1 5/8 1 1 1/16 1 3/4	45	P209T	UC209-26 UC209-27 UC209-28 UC209	85	190.5	146	47		54	146	21	15	M14
UCP210T-29E UCP210T-30E UCP210T-31E UCP210T-50M	1 13/16 1 7/8 1 15/16	50	P210T	UC210-29 UC210-30 UC210-31 UC210	90	206	159	48	21	57.2		22	20	M16
UCP211T-32E UCP211T-33E UCP211T-34E UCP211T-55M UCP211T-35E	2 2 1/16 2 1/8 2 3/16	55	P211T	UC211-32 UC211-33 UC211-34 UC211 UC211-35	100	220	170	57	25	63.5	129.5	24	18	M16
UCP212T-36E UCP212T-37E UCP212T-60M UCP212T-38E	2 1/4 2 3/16 2 3/8	60	P212T	UC212-36 UC212-37 UC212 UC212-38	110	260	187.5	68	27	69.85	143	34	22	M20
UCP213T-40E UCP213T-65M	2 1/2	65	P213T	UC213-40 UC213	120	265	203	61	26	76.2	150	30	25	M20
UCP214T-43E UCP214T-44E UCP214T-70M	2 11/16 2 3/4	70	P214T	UC214-43 UC214-44 UC214	125	266	206.9	72	27	79.4	159	30	22	M20
UCP215T-46E UCP215T-47E UCP215T-75M UCP215T-48E	2 7/8 2 15/16 3	75	P215T	UC215-46 UC215-47 UC215 UC215-48	130	275	217	73	28	82.6	162.6	30	25	M24
UCP216T-80M		80	P216T	UC216	140	292	232	78	33	88.9	184	35	26	M24
UCP217T-52E UCP217T-85M	3 1/4	85	P217T	UC217-52 UC217	150	310	247	83	32	95.2	185	35	26	M24
UCP218T-56E UCP218T-90M	3 1/2	90	P218T	UC218-56 UC218	160	327	262	88	34	101.6	210	40	26	M24

UCP 300 SERIES



STEEL PILLOW BLOCKS

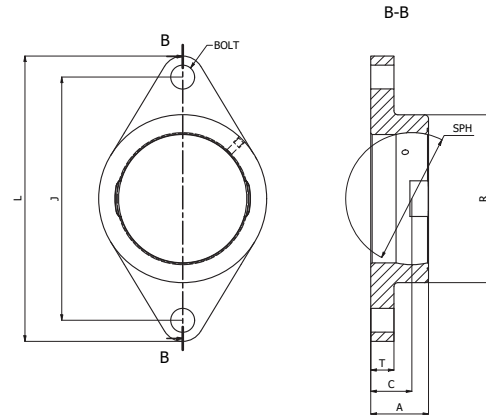
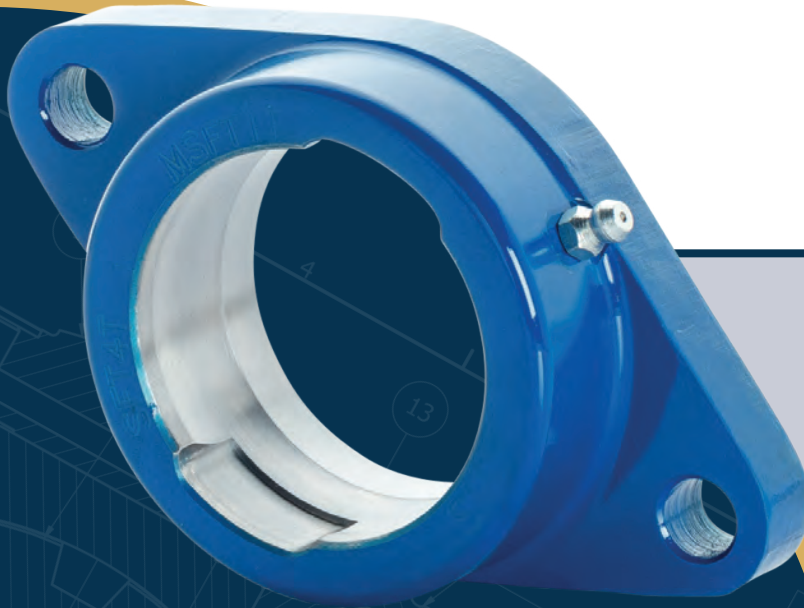
Guaranteed against breakage

Heavy-duty steel housings for self-aligning ball bearing inserts.

For use in arduous conditions where cast iron units break due to shock or vibration.

Unit No	Size imp	Size mm	Hsg only	Brg no	Øsph	L	C	W	H1	H2	H3	SL	SW	BOLT	Weight KG
UCP305-14E UCP305-25M UCP305-16E	7/8 1	25	P305T	UCP305-14 UCP305 UCP305-16	62	175	132	-0	16	45	85	20	17	M12	1.7
UCP306T-18E UCP306T-30M	1 1/8	30	P306T	UC306-18 UC306	72	180	140	42	17	50	95	20	17	M12	2.2
UCP307T-20E UCP307T-22E UCP307T-35M	1 1/4 1 3/8	35	P307T	UC307-20 UC307-22 UC307	80	210	160	47	19	56	107	25	17	M12	3.0
UCP308T-24E UCP308T-40M	1 1/2	40	P308T	UC308-24 UC308	90	220	170	47	19	60	118	27	17	M12	3.8
UCP309T-26E UCP309T-28E UCP309T-45M	1 5/8 1 3/4	45	P309T	UC309-26 UC309-28 UC309	100	245	190	53	21	67	132	30	20	M16	4.9
UCP310T-30E UCP310T-50M	1 7/8	50	P310T	UC310-30 UC310	110	275	212	58	24	75	148	35	20	M16	6.6
UCP311T-32E UCP311T-34E UCP311T-55M	2 2 1/8	55	P311T	UC311-32 UC311-34 UC311	120	310	236	63	27	80	158	38	20	M16	7.9
UCP312T-36E UCP312T-60M UCP312-38E	2 1/4 2 3/8	60	P312T	UC312-36 UC312 UC312-38	130	330	250	68	29	85	167	38	25	M20	9.5
UCP313T-40E UCP313T-65M	2 1/2	65	P313T	UC313-40 UC313	140	340	260	73	32	90	176	38	25	M20	10.7
UCP314T-44 UCP314T-70M	2 3/4	70	P314T	UC314-44 UC314	150	360	280	78	35	95	186	40	27	M20	12.4
UCP315T-75M UCP315T-48E	3	75	P315T	UC315 UC315-48	160	380	290	82	35	100	198	40	27	M24	14.8
UCP316T-50E UCP316T-80M	3 1/8	80	P316T	UC316-50 UC316	170	400	300	88	35	106	209	40	27	M24	18.5
UCP317T-52E UCP317T-85M	3 1/4	85	P317T	UC317-52 UC317	180	420	320	93	40	112	220	45	33	M24	20.3
UCP318T-56E UCP318T-90M	3 1/2	90	P318T	UC318-56 UC318	190	430	330	93	40	118	234	45	33	M24	22.8
UCP319T-95M UCP319T-60E	3 3/4	95	P319T	UC319 UC319-60	200	470	360	101	46	125	248	50	36	M30	29.0
UCP320T-100M UCP320T-64E	4	100	P320T	UC320 UC320-64	215	490	380	102	46	140	273	50	36	M30	35.1
UCP321T-105M		105	P321T	UC321	225	490	380	103	46	140	278	50	36	M30	37.6
UCP322-110M UCP322-71E	4 7/16	110	P322T	UC322 UC322-71	240	520	400	116	50	150	296	55	40	M36	44.0
UCP324T-120M UCP324T-79E	4 15/16	120	P324T	UC324 UC324-79	260	570	450	121	50	160	316	55	40	M36	55.4
UCP326T-130M UCP326T-82E	5 1/8	130	P326T	UC326 UC326-82	280	600	480	123	50	180	335	55	40	M36	72.1
UCP328-88E UCP328-140M	5 1/2	140	P328T	UC328-88 UC328	300	620	500	128	60	200	393	55	40	M36	92.5

SFT SERIES



STEEL 2 BOLT FLANGE HOUSINGS

Guaranteed against breakage.

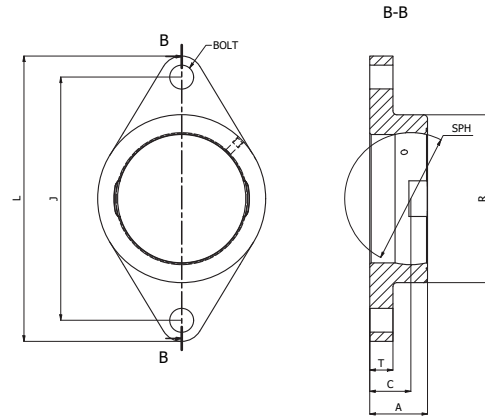
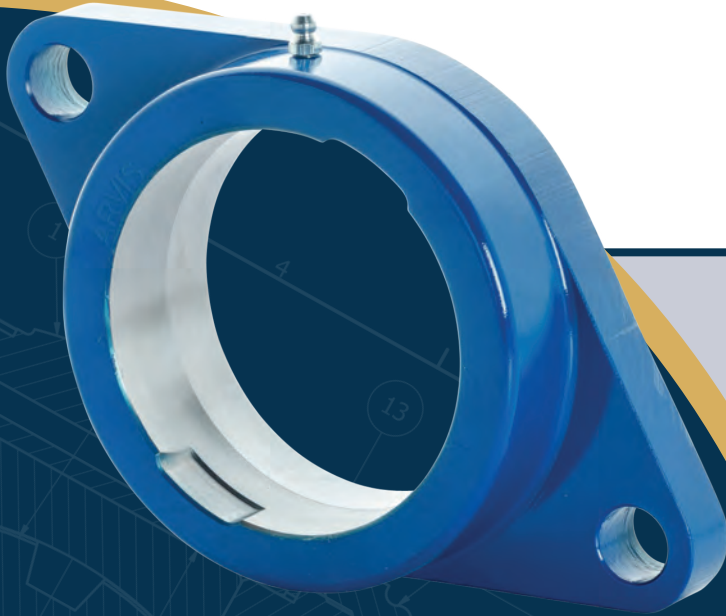
Heavy-duty steel housings for self-aligning ball bearing inserts.

For use in arduous conditions where cast iron units break due to shock, vibration, over-load, or impact.

Part No	BRG*	ØSPH	L	C	J	A	R	T	BOLT
SFT1T	1017	40	98.5	17	76.5	24.6	52.5	9.5	10
SFT2T	1020	47	111.9	20	90	30	60.3	11.1	10
SFT3T	1025	52	123.8	20	99	30	68.3	11.1	10
SFT4T	1030	62	141.3	20	116.5	32	82.6	12.7	10
SFT5T	1035	72	155.5	21	130	34	95.5	12.7	12
SFT6T	1040	80	171.4	23	143.5	37	101.6	12.7	12
SFT7T	1045	85	179.4	25	148.5	38	111.1	14.3	16
SFT8T	1050	90	188.9	26	157	41	115.9	14.3	16
SFT9T	1055	100	215.9	30	184	44	127	17.5	16
SFT10T	1060	110	235	35	202	48	138.1	17.5	16

*To suit any manufacturers, insert **

MSFT SERIES



STEEL 2 BOLT FLANGE HOUSINGS

Guaranteed against breakage.

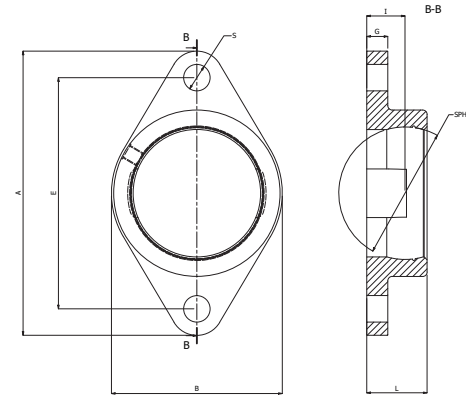
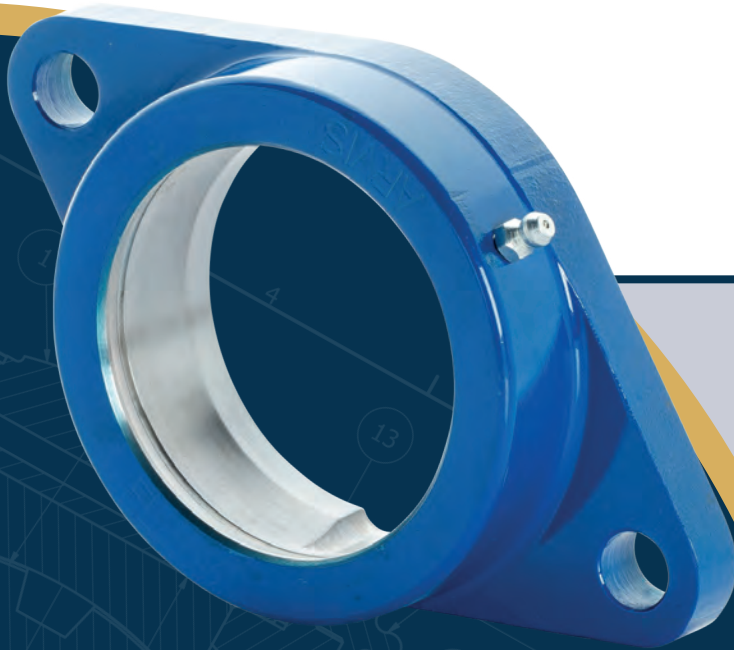
Heavy-duty steel housings for self-aligning ball bearing inserts.

For use in arduous conditions where cast iron units break due to shock, vibration, over-load, or impact.

Part No	BRG*	ØSPH	L	C	J	R	A	T	BOLT
MSFT1T	1030	62	141.3	20	116.5	82.6	32	12.7	10
MSFT2T	1035	72	155.5	21	130.0	95.5	34	12.7	12
MSFT3T	1040	80	171.4	23	143.5	101.6	37	12.7	12
MSFT4T	1045	85	179.4	25	148.5	111.1	38	14.3	16
MSFT5T	1050	90	188.9	26	157.0	115.9	41	14.3	16
MSFT6T	1055	100	215.9	30	184.0	127	44	17.5	16
MSFT7T	1060	110	235	35	202.0	138.1	48	17.5	16
MSFT8T	1070	125	248	33	211	155.5	48	18	20

*To suit any manufacturers, insert **

UCFL 200 SERIES



STEEL 2 BOLT FLANGE UNITS

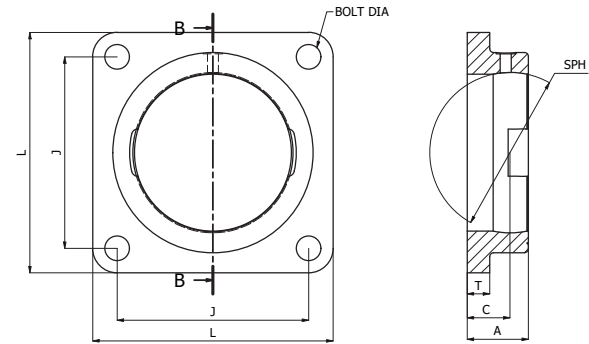
Guaranteed against breakage.

Heavy-duty steel housings for self-aligning ball bearing inserts.

For use in arduous conditions where cast iron units break due to shock or vibration.

Unit No	Size imp	Size mm	Hsg only	Brg no	Øsph	A	E	I	G	L	S	B	BOLT G
UCFL206T-17E UCFL206T-18E UCFL206T-30M UCFL206T-19E	1 1/16 1 1/8 1 3/16	30	FL206T	UC206-17 UC206-18 UC206 UC206-19	62	148	117	18	13	31	16	80	M14
UCFL207T-20E UCFL207T-21E UCFL207T-22E UCFL207T-35M UCFL207T-23E	1 1/4 1 5/16 1 3/8 1 7/16	35	FL207T	UC207-20 UC207-21 UC207-22 UC207 UC207-23	72	161	130	19	14	34	16	90	M14
UCFL208T-24E UCFL208T-25E UCFL208T-40M	1 1/2 1 9/16	40	FL208T	UC208-24 UC208-25 UC208	80	175	144	21	14	36	16	100	M14
UCFL209T-26E UCFL209T-27E UCFL209T-28E UCFL209T-45M	1 5/8 1 11/16 1 3/4	45	FL209T	UC209-26 UC209-27 UC209-28 UC209	85	188	148	22	15	38	19	108	M16
UCFL210T-29E UCFL210T-30E UCFL210T-31E UCFL210T-50M	1 13/16 1 7/8 1 15/16	50	FL210T	UC210-29 UC210-30 UC210-31 UC210	90	197	157	22	15	40	19	115	M16
UCFL211T-32E UCFL211T-33E UCFL211T-34E UCFL211T-55M UCFL211T-35E	2 2 1/16 2 1/8 2 3/16	55	FL211T	UC211-32 UC211-33 UC211-34 UC211 UC211-35	100	224	184	25	18	43	19	130	M16
UCFL212T-36E UCFL212T-37E UCFL212T-60M UCFL212T-38E UCFL212T-39E	2 1/4 2 3/16 2 3/8 2 7/16	60	FL212T	UC212-36 UC212-37 UC212 UC212-38 UC212-39	110	250	202	29	18	48	23	140	M20
UCFL213T-40E UCFL213T-65M	2 1/2	65	FL213T	UC213-40 UC213	120	258	210	30	20	50	23	155	M20
UCFL214T-43E UCFL214T-44 UCFL214T-70M	2 11/16 2 3/4	70	FL214T	UC214-43 UC214-44 UC214	125	265	216	31	20	54	23	160	M20
UCFL215T-46E UCFL215T-47E UCFL215T-75M UCFL215T-48E	2 7/8 2 15/16 3	75	FL215T	UC215-46 UC215-47 UC215 UC215-48	130	275	225	34	20	56	23	165	M20
UCFL216T-80M		80	FL216T	UC216	140	290	233	34	20	58	25	180	M22
UCFL217T-52E UCFL217T-85M	3 1/4	85	FL217T	UC217-52 UC217	150	305	248	36	22	63	25	190	M22
UCFL218T-56E	3 1/2		FL218T	UC218-56	160	320	265	40	23	68	25	205	M22

SF SERIES



STEEL 4 BOLT FLANGE HOUSINGS

Guaranteed against breakage.

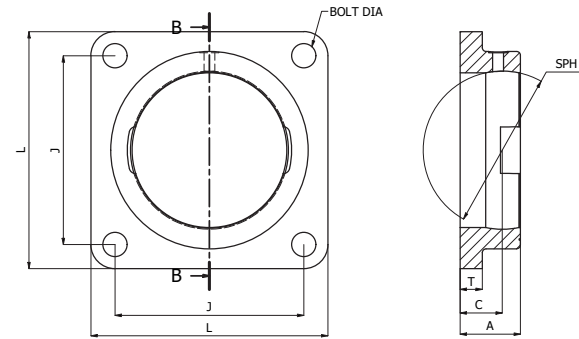
Heavy-duty steel housings for self-aligning ball bearing inserts.

For use in arduous conditions where cast iron units break due to shock, vibration, over-load, or impact.

Part No	BRG*	ØSPH	L	C	J	A	T	BOLT
SF1T	1017	40	76.2	17	54	24.6	9.5	10
SF2T	1020	47	85.7	20	63.5	30	11.1	10
SF3T	1025	52	95.3	20	70	30	11.1	10
SF4T	1030	62	108	20	82.5	32	12.7	10
SF5T	1035	72	117.5	21	92	34	12.7	12
SF6T	1040	80	130.2	23	101.5	37	12.7	12
SF7T	1045	85	136.5	25	105	38	14.3	16
SF8T	1050	90	142.9	26	111	41	14.3	16
SF9T	1055	100	161.9	30	130	44	17.5	16
SF10T	1060	110	174.5	35	143	48	17.5	16
SF10/65T	1065	120	174.5	35	143	48	18	16
SF11/65T	1065	120	187.5	30	149.2	48	18	16
SF11T	1070	125	187.5	32	149.2	48	18	20
SF12T	1075	130	196.5	36.5	152.4	52	23	20

To suit any manufacturers, insert *

MSF SERIES



STEEL 4 BOLT FLANGE HOUSINGS

Guaranteed against breakage.

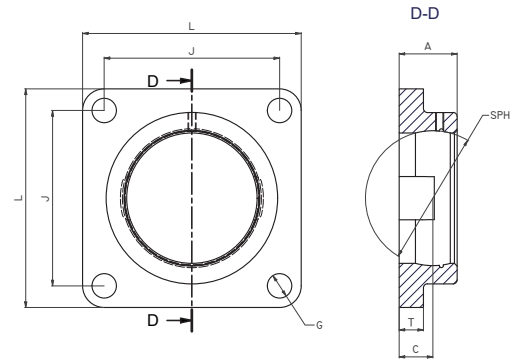
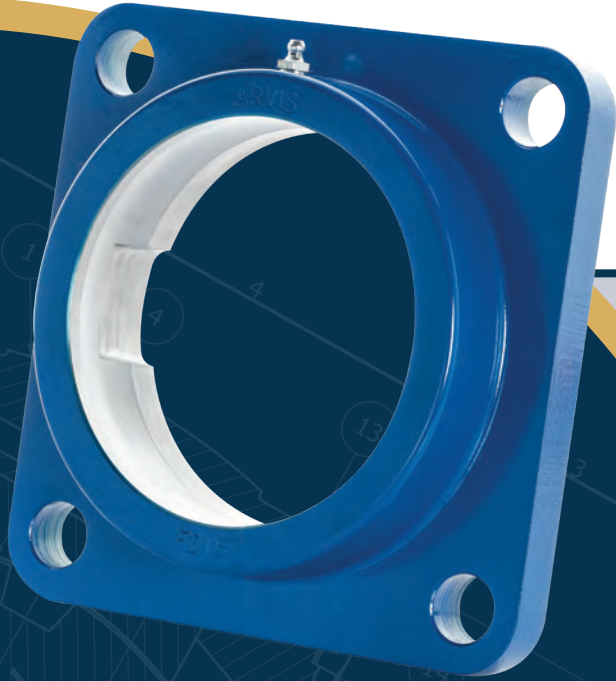
Heavy-duty steel housings for self-aligning ball bearing inserts.

For use in arduous conditions where cast iron units break due to shock, vibration, over-load, or impact.

Part No	BRG*	ØSPH	L	C	J	A	T	BOLT
MSF1T	1030	62	108	20	82.5	32	12.7	10
MSF2T	1035	72	117.5	21	92	34	12.7	12
MSF3T	1040	80	130.2	23	101.5	37	12.7	12
MSF4T	1045	85	136.5	25	105	38	14.3	16
MSF5T	1050	90	142.9	26	111	41	14.3	16
MSF6T	1055	100	161.9	30	130	44	17.5	16
MSF7T	1060	110	174.5	35	143	48	17.5	16
MSF8T	1070	125	187.5	32	149.2	48	18	20
MSF9T	1075	130	196.5	36.5	152.4	52	23	20
MSF10T	1080	140	196.5	38	152.4	58	23	20
MSF11T	1085	150	213.5	38	171.45	59	26	20
MSF12T	1090	160	213.5	42	171.45	65	26	20
MSF13T	3095	200	267.5	59	211.12	85	32	24

*To suit any manufacturers, insert **

UCF 200 SERIES



STEEL SQUARE FLANGE UNITS Guaranteed against breakage.

Heavy-duty steel housings for self-aligning ball bearing inserts.

For use in arduous conditions where cast iron units break due to shock or vibration.

Unit No	Size imp	Size mm	Hsg only	Brg no	Øsph	L	J	A	T	C	Z	BOLT G
UCF201T-12M UCF201T-08E UCF201T-09E UCF202T-15M UCF201T-10E UCF203T-17M UC203 UCF203T-11E UCF204T-12E UCF204T-20M	1/2 9/16 5/8 11/16 3/4	12 15 17 20	F204T	UC201 UC201-08 UC201-09 UC202 UC202-10 UC203-11 UC204-12 UC204	47	86	64	25.5	11	12.7	33.3	M10
UCF205T-13E UCF205T-14E UCF205T-15E UCF205T-25M UC205 UCF205T-16E	13/16 7/8 15/16 1	 25	F205T	UC205-13 UC205-14 UC205-15 UC205-16	52	95	70	27	13	14.3	35.7	M10
UCF206T-17E UCF206T-18E UCF206T-30M UCF206T-19E	1 1/16 1 1/8 1 3/16	 30	F206T	UC206-17 UC206-18 UC206 UC206-19	62	108	83	31	13	15.9	40.2	M10
UCF207T-20E UCF207T-21E UCF207T-22E UCF207T-35M UCF207T-23E	1 1/4 1 5/16 1 ¼ 1 7/16	 35	F207T	UC207-20 UC207-21 UC207-22 UC207 UC207-23	72	117	92	34	15	17.5	44.4	M12
UCF208T-24E UCF208T-25E UCF208T-40M	1 1/2 1 9/16 1 5/8 1 11/16 1 3/4	 40	F208T	UC208-24 UC208-25 UC208	80	130	102	36	15	21	51.2	M12
UCF209T-26E UCF209T-27E UCF209T-28E UCF209T-45M	1 5/8 1 11/16 1 3/4 1 13/16 1 7/8 1 15/16	 45	F209T	UC209-26 UC209-27 UC209-28 UC209	85	137	105	38	16	22	52.2	M12
UCF210T-29E UCF210T-30E UCF210T-31E UCF210T-50M	1 13/16 1 7/8 1 15/16 2 2 1/16 2 1/8	 50	F210T	UC210-29 UC210-30 UC210-31 UC210	90	143	111	40	16	22	54.6	M16
UCF211T-32E UCF211T-33E UCF211T-34E UCF211T-55M UCF211T-35E	2 2 1/16 2 1/8 2 3/16	 55	F211T	UC211-32 UC211-33 UC211-34 UC211 UC211-35	100	162	130	43	18	22.2	58.4	M16
UCF212T-36E UCF212T-37E	2 1/4 2 3/16		F212T	UC212-36 UC212-37	110	175	143	48	18	25.4	68.7	M20

SPECIAL ARVIS® SELF-LUBES BEARING UNITS

Arvis® self-lubes offer the opportunity for an almost infinite combination of housing & bush materials.

In addition to standard sizes, bores in between those offered & far in excess of 100mm & 4" can be supplied.



HOUSINGS

Standard housings can be painted to spec or plated to any specification. Re-grease facilities can be included.

Stainless steel housings & inserts can be supplied for the food or marine industries as well as the chemical industry, sewage & water treatment plants where corrosion resistance is required.

The use of structural mild steels gives strength for heavy handling or for reasons of safety.

In fact, any commercially available material can be used. Units can be split to aid fitting where access is limited.

BUSHES

In addition to the standard self-lube bearings the variety of plain bearing materials available means that Arvis self-lubes can be used in almost any environment.

Carbon graphite is ideal for temperatures up to 500°C & can operate in temperatures up to 1000°C under certain condition. A wide variety of Engineering plastics & self-lubricating materials such as Arvis® DRSL as well as phosphor bronze & Deva. Metal give the widest possible choice of bushings for all applications.where access is limited.



The logo for ARVIS, consisting of the word "ARVIS" in a bold, white, sans-serif font. The background of the entire page is a dark blue color with a faint, light blue architectural floor plan pattern. A thick, solid gold diagonal line runs from the top left towards the middle right of the page.

ARVIS

Bridge Park Rd, Thurmaston, Leicester, LE4 8BL, UK

T +44 (0) 116 2609700

F +44 (0) 116 2640147

E Sales@arvis.co.uk

www.arvis.co.uk