



Howmet Enduralum™
Strong, Lightweight
Made in the U.S.

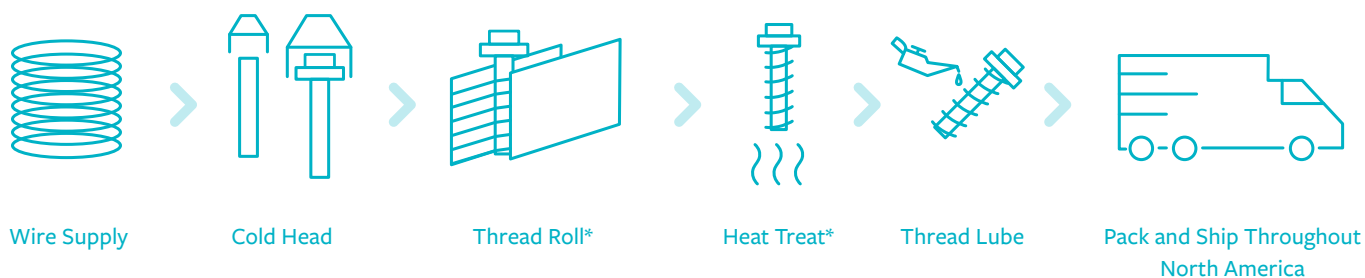


Introducing Howmet Enduralum™

Lightweight Innovation

Our latest engineered innovation in Howmet technology is Enduralum™, an incredibly strong, yet remarkably lightweight, aluminum fastener designed for thermal and galvanic compatibility with next-generation aluminum and magnesium castings in automotive powertrains. The super lightweight, heat-treated AA 6056 Alloy of Enduralum helps to reduce overall weight while maintaining a reliable clamp load.

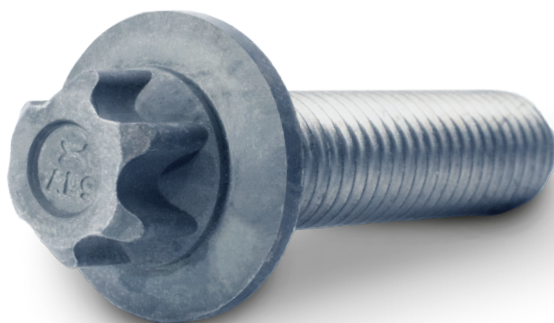
Manufactured in our vertically-integrated US plant with a Class I continuous aluminum heat-treating furnace, Enduralum fasteners are ready for just-in-time deliveries throughout North America.



*Thread Roll and Heat Treat processes are interchangeable based on specified temper.

Highest level of quality control through wire-to-box manufacturing.

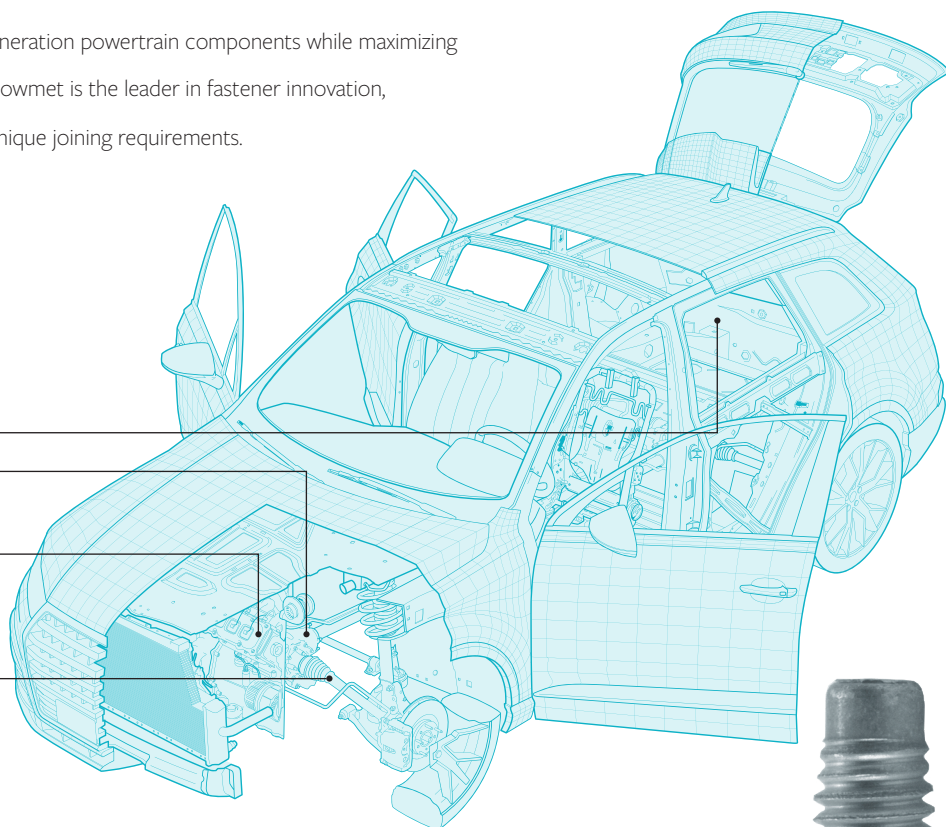
- Class I continuous aluminum heat treat furnace (currently only US manufacturer)
- In-house design and prototyping capabilities
- One source manufacturer that can provide a custom solution for your fastener application



Applications

Enduralum is specially designed to join next generation powertrain components while maximizing joint strength and minimizing vehicle weight. Howmet is the leader in fastener innovation, developing highly-effective solutions to your unique joining requirements.

- Hybrid battery assemblies
- Transmission and transfer case internal and external assembly
- Engine assembly
- Powertrain cover and subcomponent attachment



Data and Dimensions

Tensile strength (Rm): 420-460 MPa

Yield strength (Rpo.2): 380-410 MPa

Elongation (Af): >12% on fully threaded fastener

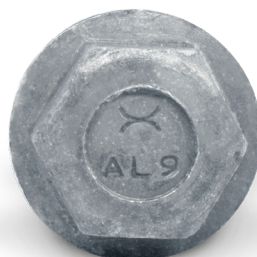
Diameters: M6, M8, M10, M12

Lengths: 25mm-85mm

T6 or T9 thread condition

Available in external hex, internal 6-lobe and external 6-lobe head styles

Licensed MATHread manufacturer





Howmet Fastening Systems

Industrial Division Brands



Huck, Marson, Recoil, Keysert, Camloc and Simmonds are trademarks of Howmet Aerospace Inc. and/or its subsidiaries.

North America

Waco Operations

PO Box 8117
8001 Imperial Drive
Waco, TX 76714-8117
Tel: +1 800-388-4825
Fax: +1 800-798-4825
sales.waco@howmet.com

Kingston Operations

1 Corporate Drive
Kingston, NY 12401
Tel: +1 800-278-4825
Fax: +1 845-334-7333
sales.kingston@howmet.com

Tracy Operations

1925 North MacArthur Drive
Tracy, CA 95376
Tel: +1 800-826-2884
Fax: +1 800-573-2645
sales.idg@howmet.com

hfsindustrial.com

[YouTube.com/HFSIndustrial](https://www.youtube.com/HFSIndustrial)

The information contained in this publication is only for general guidance, and is not intended to create any warranty, express, implied, or statutory; all warranties are contained only in Howmet Fastening Systems' written quotations, acknowledgments, and/or purchase orders. It is recommended that the user secure specific, up-to-date data and information regarding each application and/or use of such products.

Global

Telford Operations

Unit C, Stafford Park 7
Telford, Shropshire
England TF3 3BQ
Tel: +44 (0) 1952-290011
Fax: +44 (0) 1952-290459
sales.telford@howmet.com

Melbourne Operations

1508 Centre Road
Clayton, Victoria
Australia 3168
Tel: +613-8545-3333
Fax: +613-8545-3390
sales.melbourne@howmet.com

Tokyo Operations (Japan & Korea)

8F CIRCLES Nihonbashi-
Bakurocho Bldg
1-5-12 Nihonbashi-Bakurocho
103-0002 Tokyo Japan
Tel: +81-3-5642-8360
Tel: +81-3-5642-8361 x8365
Fax: +81-3-5644-5772

Suzhou Operations

58 Yinsheng Road,
SIP Suzhou, Jiangsu
215126 China
Tel: +86-512-62863800-8888



The UK's largest Huck Distributor

Star Fasteners (UK) Ltd
Unit 1, 44 Brookhill Road,
Pinxton,
Nottinghamshire
NG16 6RY
United Kingdom.

sales@starfasteners.co.uk | Tel: +44(0)1159324939