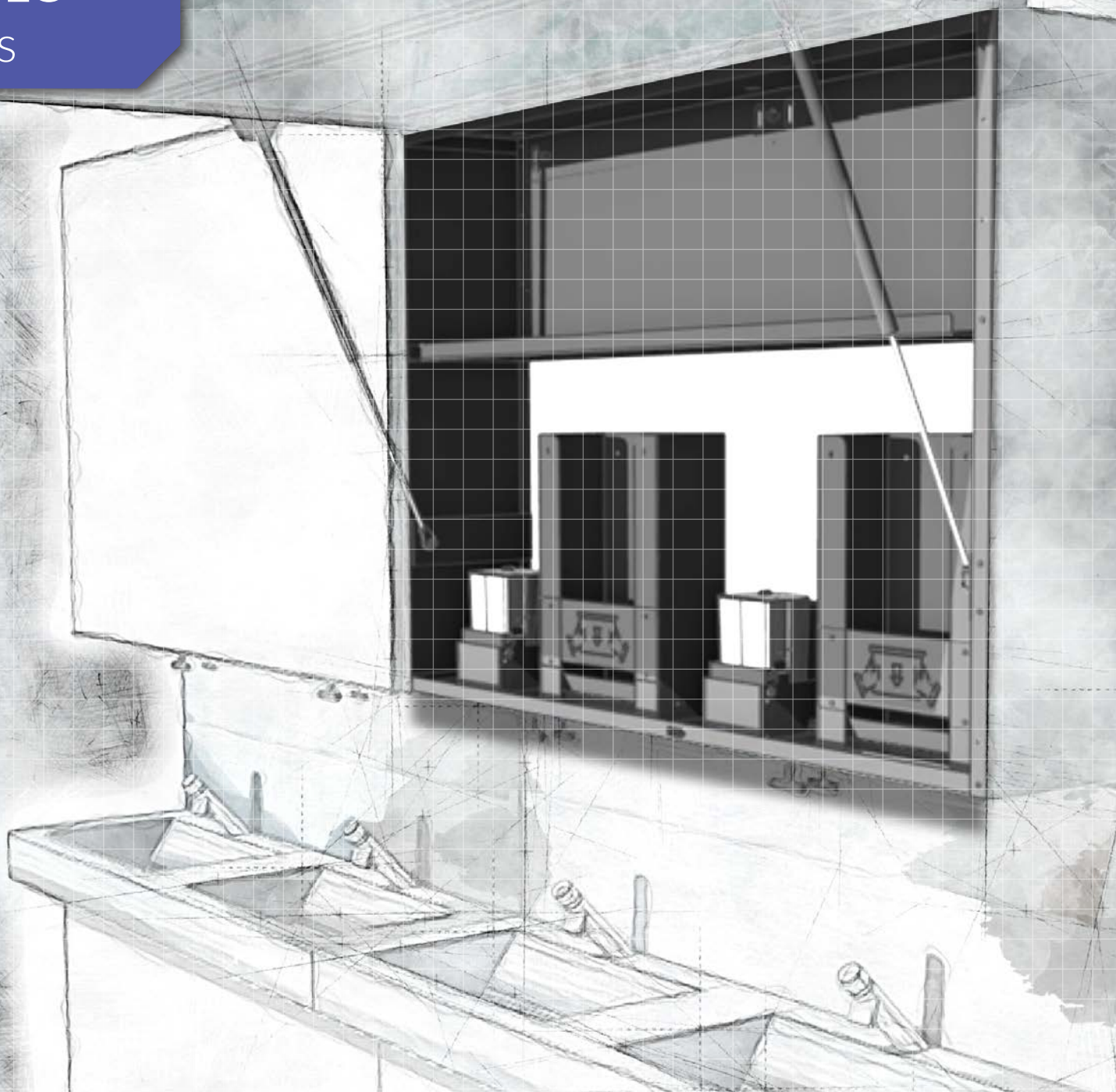


Designing for the
future of **washrooms**

 **DUDLEY**
INDUSTRIES
SHEET METAL EXPERTISE SINCE 1942

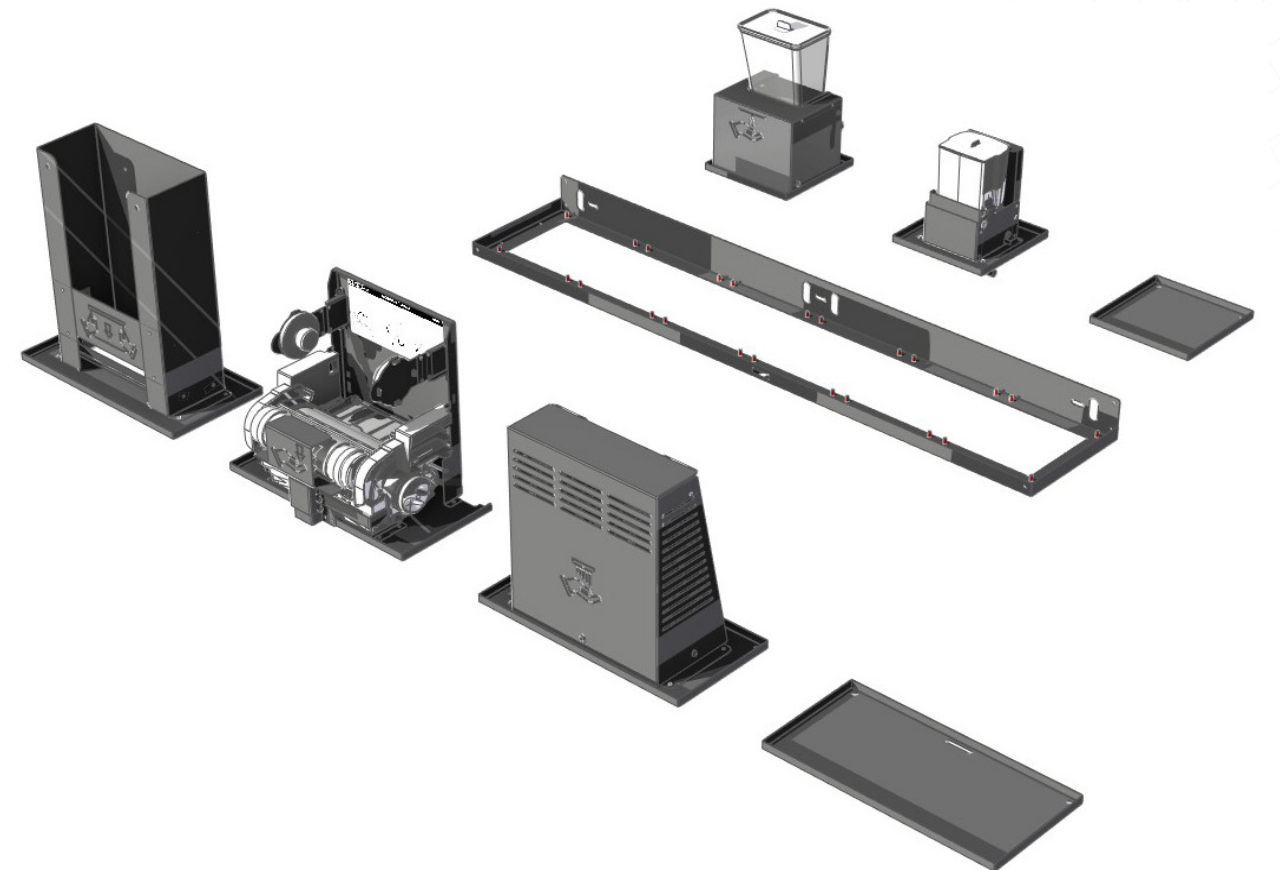
MODULO

Systems



Complete flexibility provided through modular 'Behind the Mirror' system:

- Optimise traffic flow through the washroom
- Reduce drips and splashes on the floor that can cause a slip hazard
- Streamline aesthetics and décor within the washroom
- Conceal dispensers to maintain design scheme
- Provide storage space for spare consumables to make servicing quick and simple
- Easy access for servicing and refilling



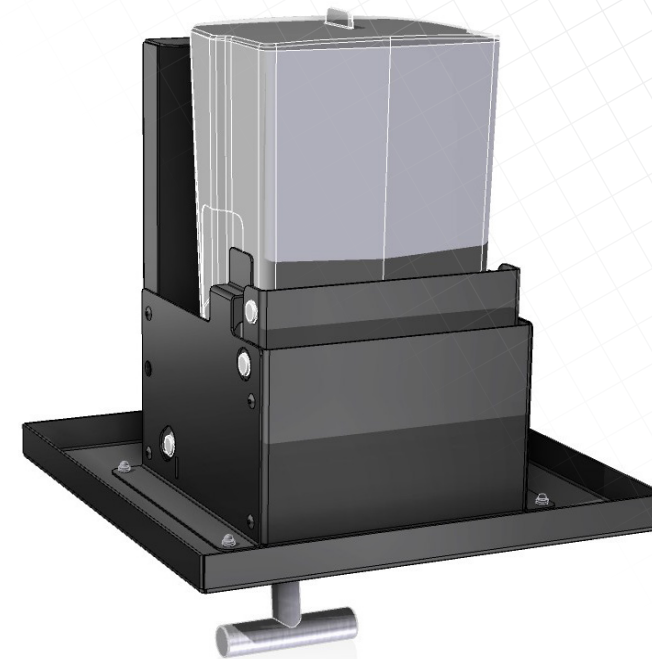
MODULO

Hand Dryer



MODULO

Manual Soap Dispenser



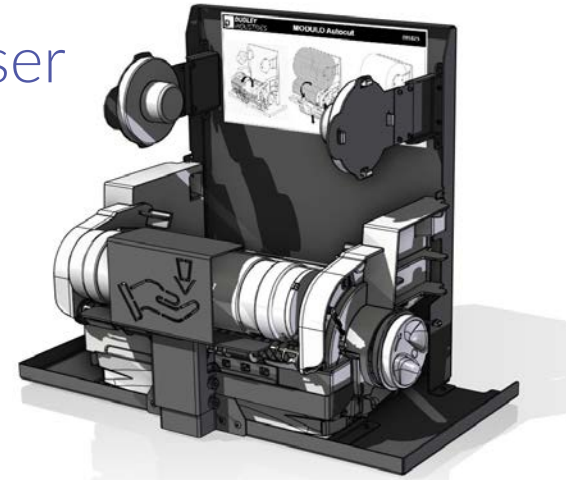
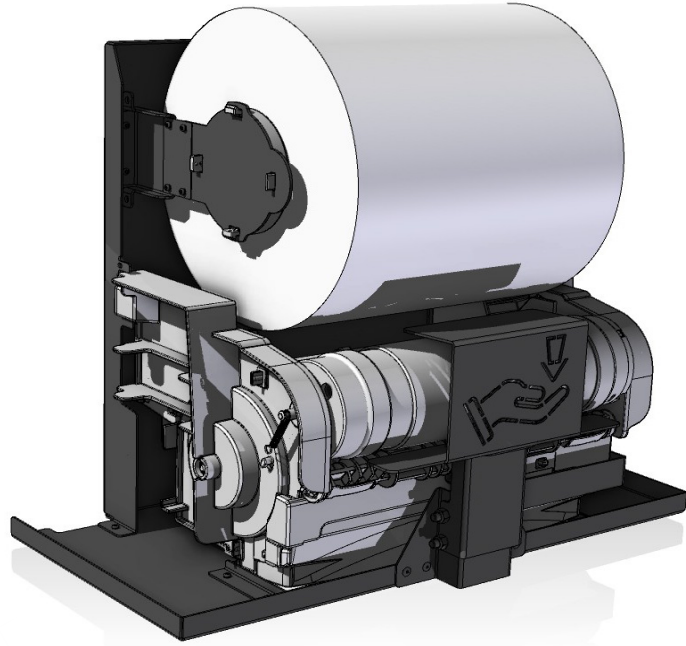
MODULO

Auto Soap Dispenser



MODULO

Autocut Paper Towel Dispenser



MODULO

Paper Dispenser



MODULO

Cabinet



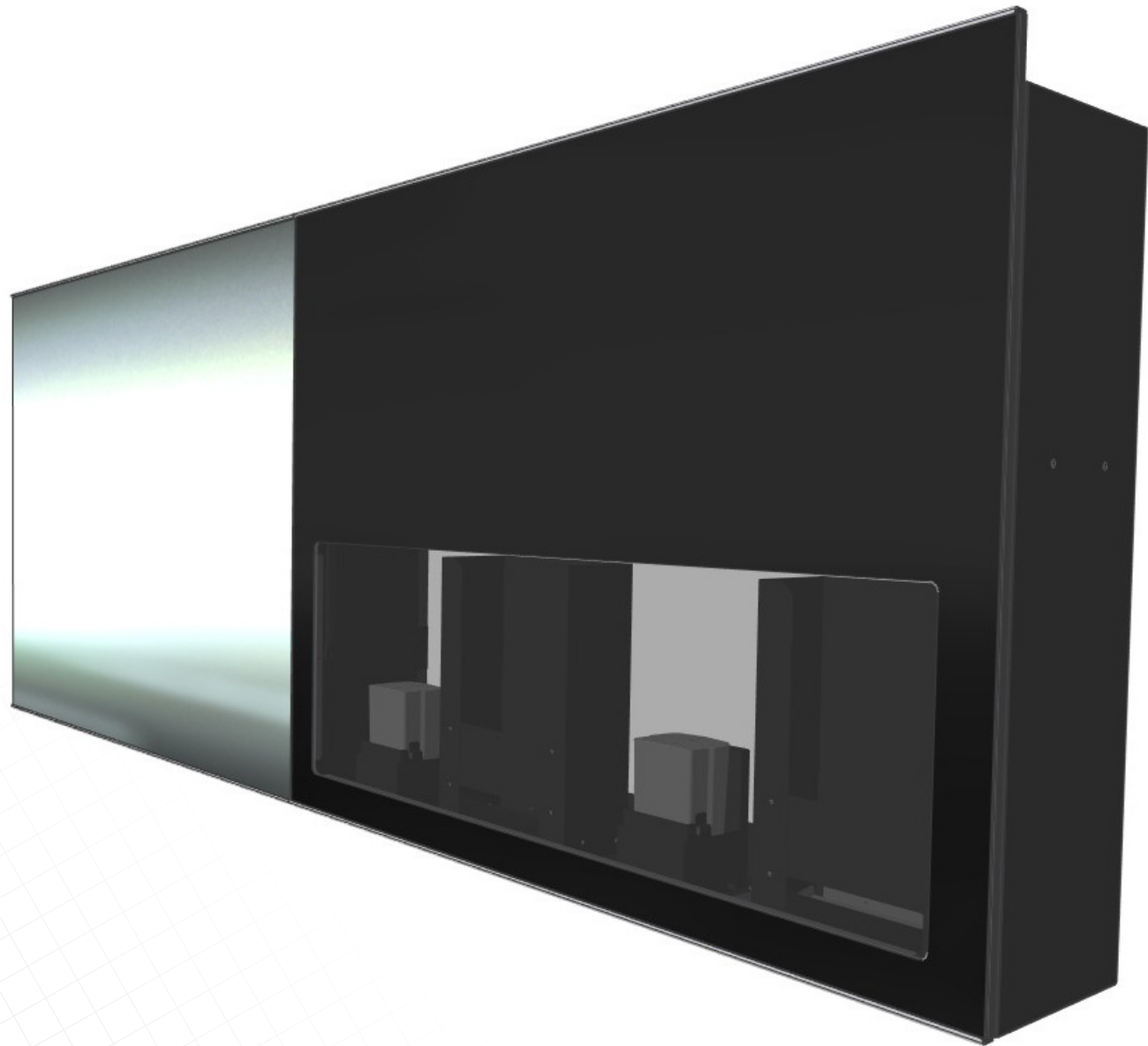
Available in
600mm and
1200mm widths



Combine
units for large
washrooms

MODULO

Door Mirror or Tinted Glass



MODULO

Sink



MODULO

Recess System

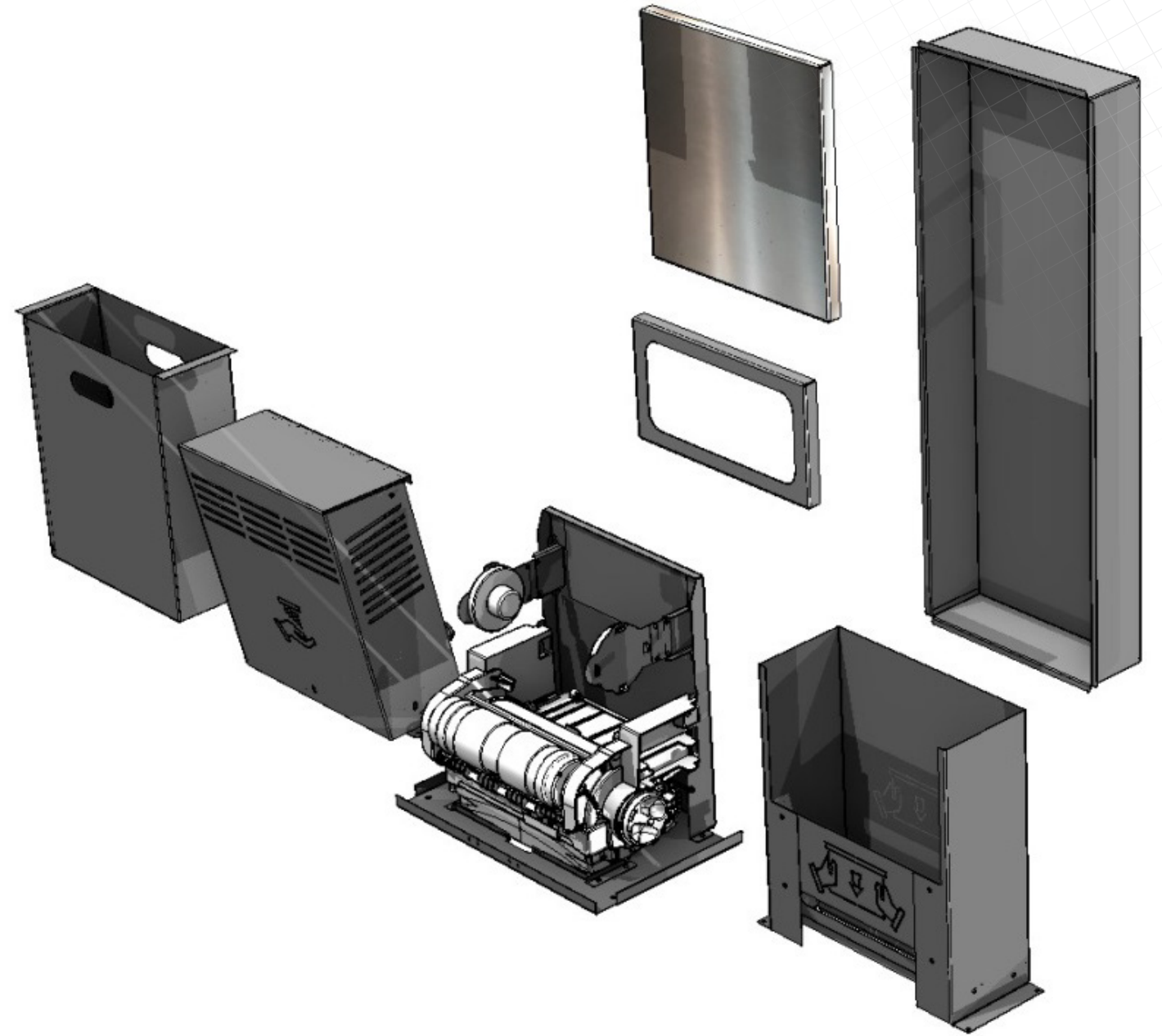


MODULO

Bespoke Recess System

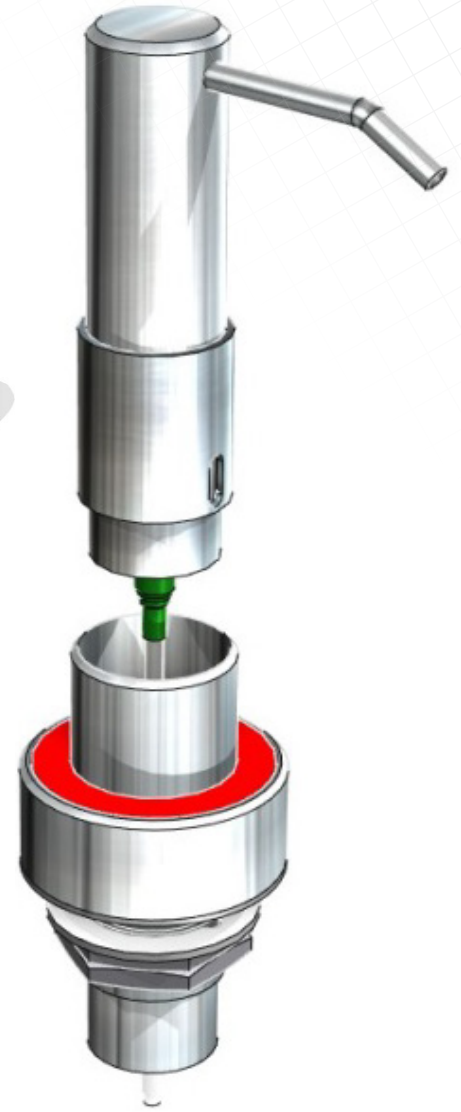
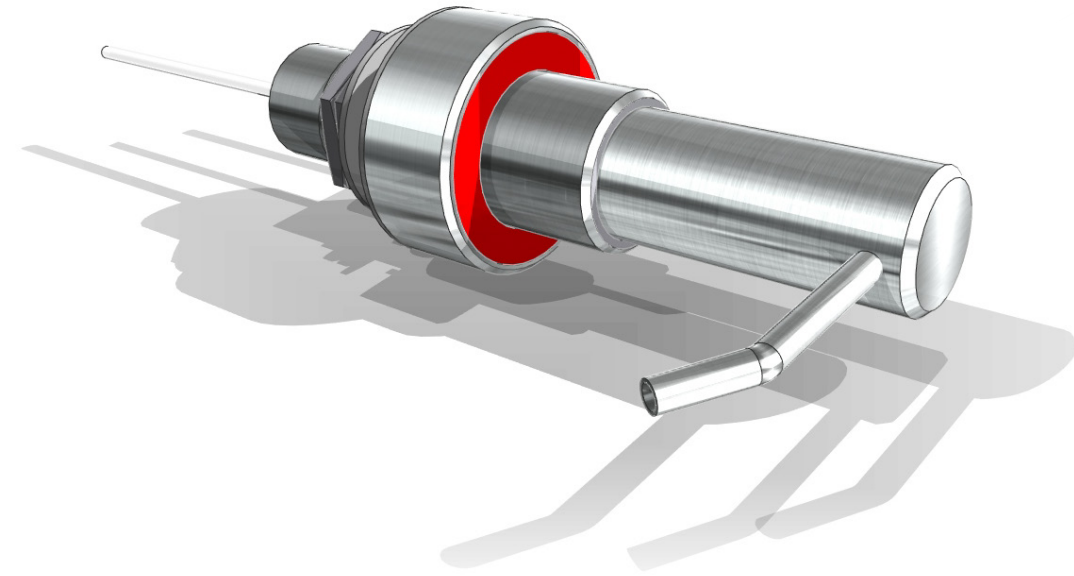
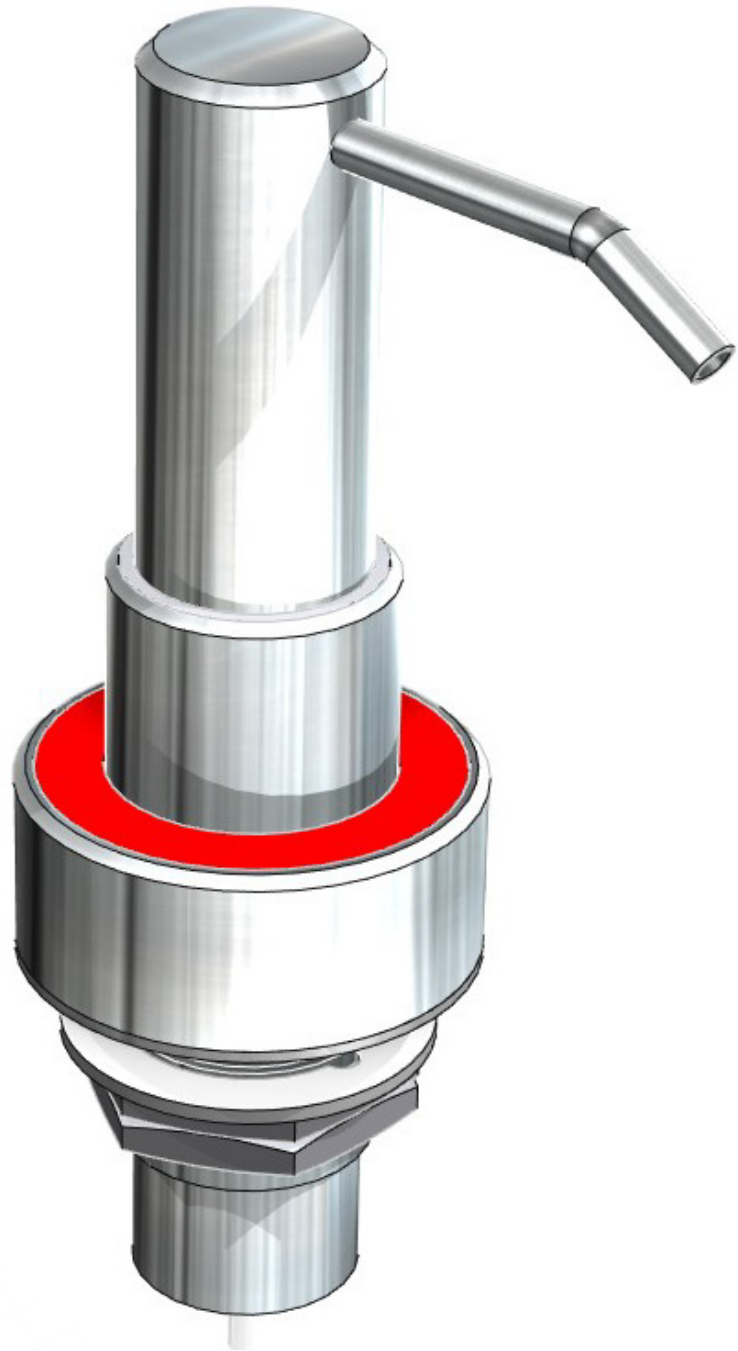


Coloured inset panels
enhance washroom decor.



COUNTER TOP

Soap Dispenser



WUDU

Wash Station



WASH STATION

Recessed



SLIMLINE

Recessed Dispensers



Hygiene technology for today and tomorrow



Providing a touch free washroom environment supports hygiene standards and reduces the potential for cross contamination and the transfer of bacteria.



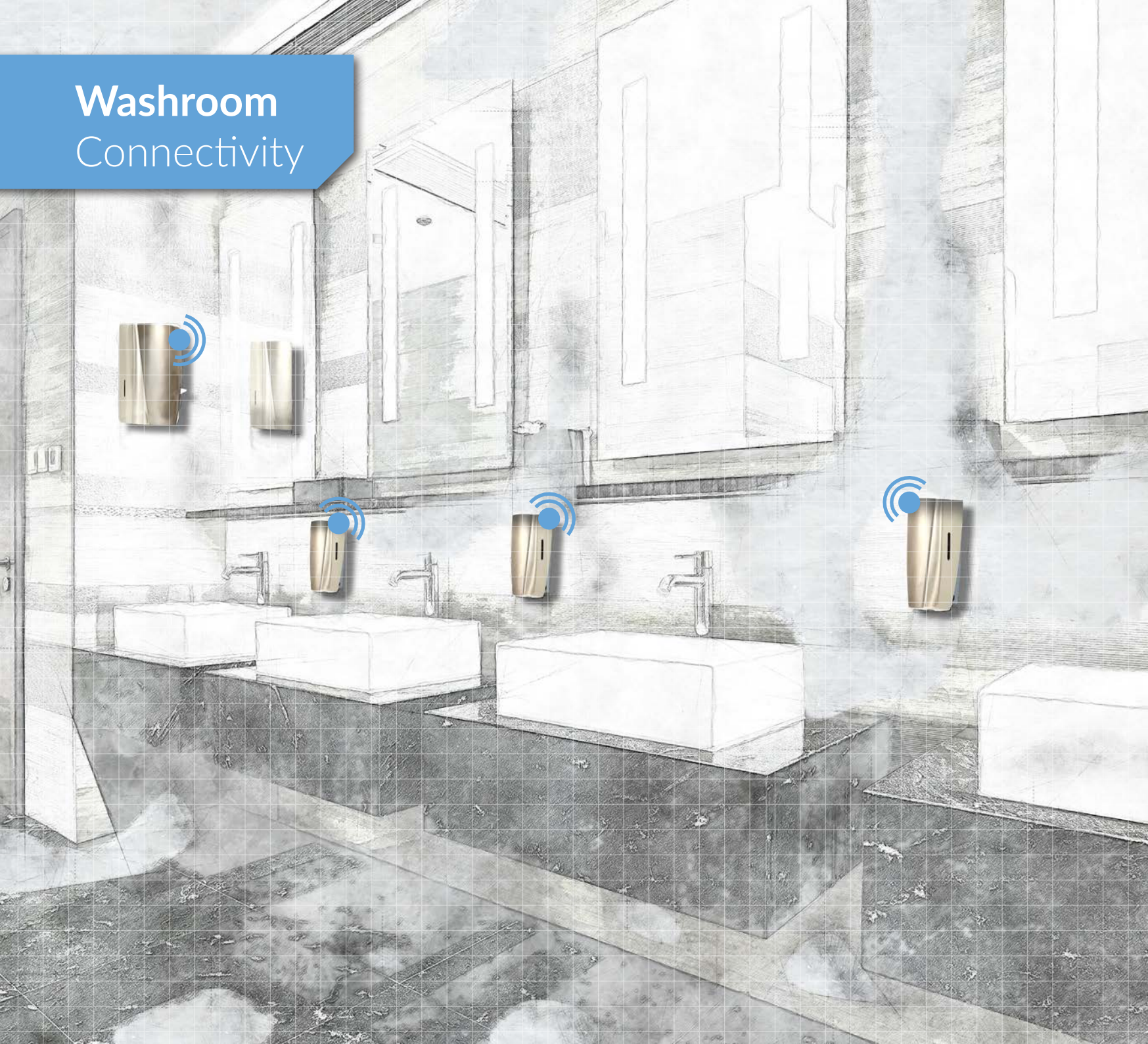
The future washroom will be built around intrinsic design features that minimise the need for contact. Flush operations, cubicle locks, doors, dispensers, taps and hand drying facilities will all work seamlessly without the need for users to touch them for operation.

As awareness in the issues of bacteria transfer increases across the globe it is triggering changes in social behaviour as we all become acutely aware of the hot spots and the impact of our own actions.

Advances in surface and material technology are enabling intelligent and innovative solutions for washroom fixtures and fittings as they work to prohibit the growth and transfer of bacteria and viruses. The benefits of lighting technologies are being pursued to support the sanitisation of surfaces invisibly, silently and continuously.

The future washroom is poised to take advantage of the very latest technologies and advances in scientific research to deliver an environment that is as hygienic as possible.

Washroom Connectivity



Technology enables direct communication from individual dispensers to assess usage, fill level and battery life. This allows your teams to be alerted when dispensers are close to running out of consumables.



Visitors are no longer presented with annoying empty dispensers and the cleaning teams can work with complete efficiency knowing the exact location of the dispensers that need refilling.

Usage patterns can be assessed to support the supply chain of consumables helping to purchase as needed and reduce inventory and storage space.



Footfall
Connectivity

Future cleaning regimes will work in complete efficiency alongside visitor numbers and usage, no longer with cleaning teams need to guess busy times or waste time in their busy schedules cleaning washrooms that haven't been used.

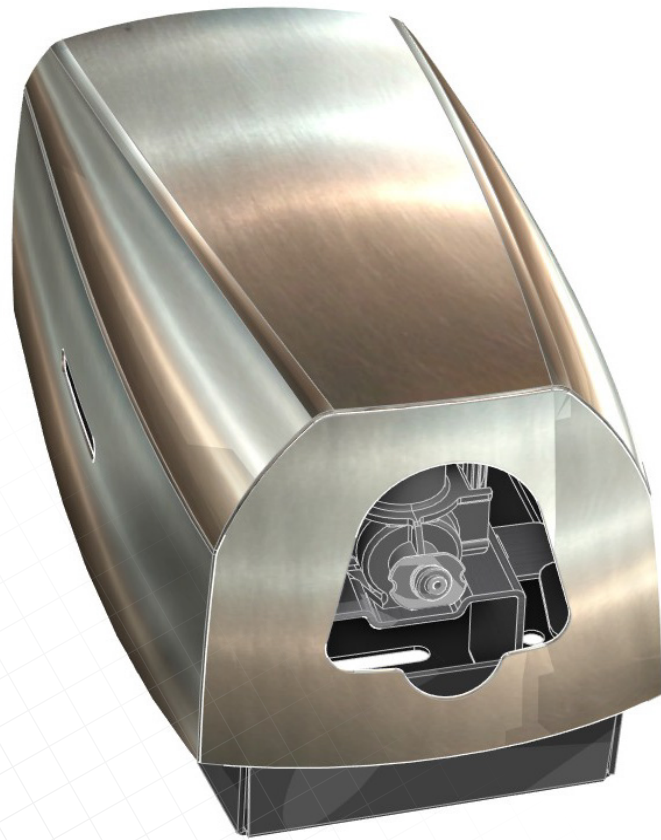
Technology will enable real time visitor counts and communicate in real time with the cleaning teams on actual washroom usage. Cleaning visits can be automatically captured for management reporting and transparency.

The future will see cleaning teams working more effectively and efficiently maintaining hygienic washrooms with ease.



PLATINUM RANGE

Soap Dispenser



Innovative clear lacquer helps prevent unsightly fingerprint marks.



PLATINUM RANGE

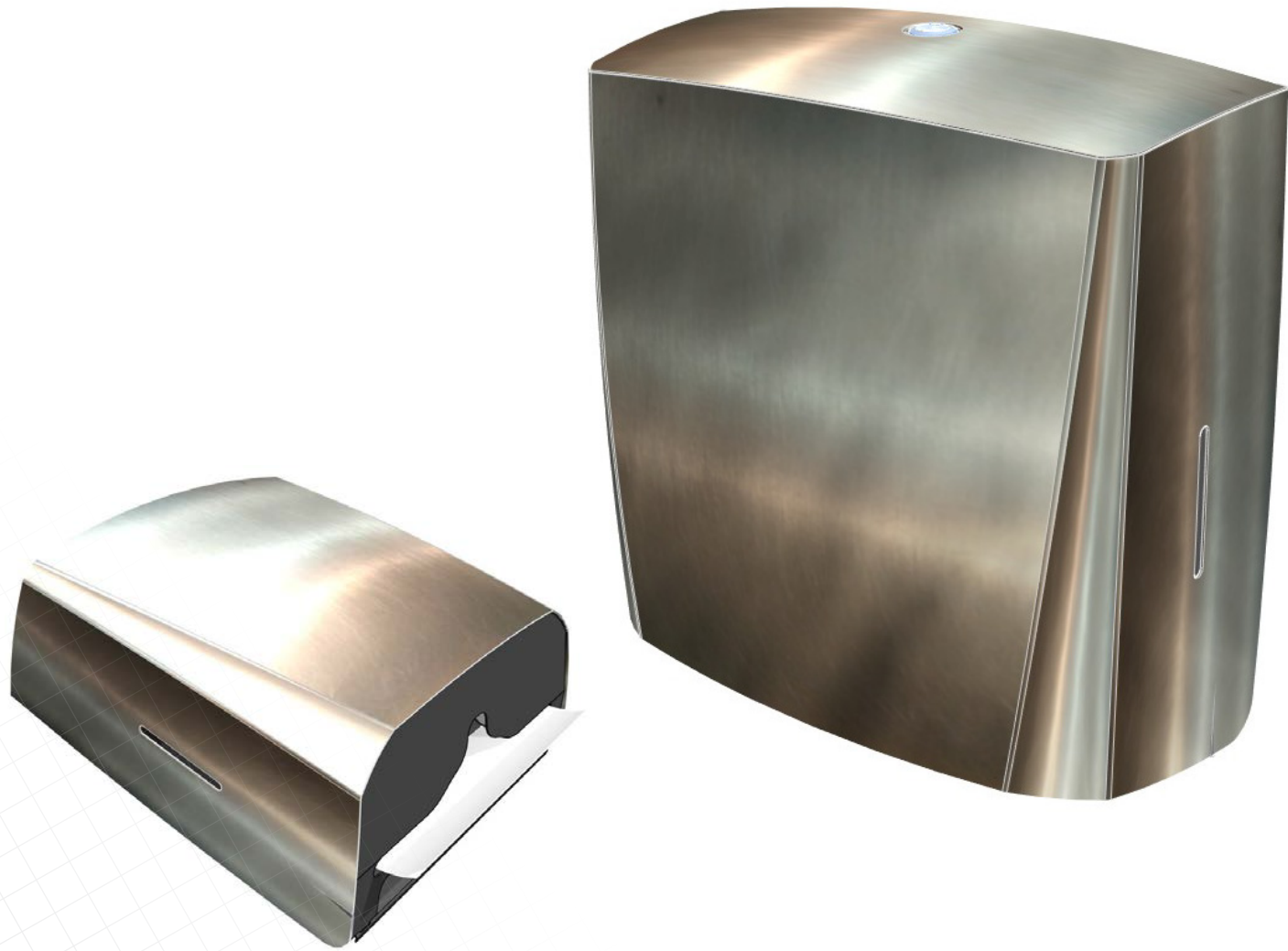
Autocut



Latest technology with manual and no-touch options.

PLATINUM RANGE

Paper Dispenser



PLATINUM RANGE

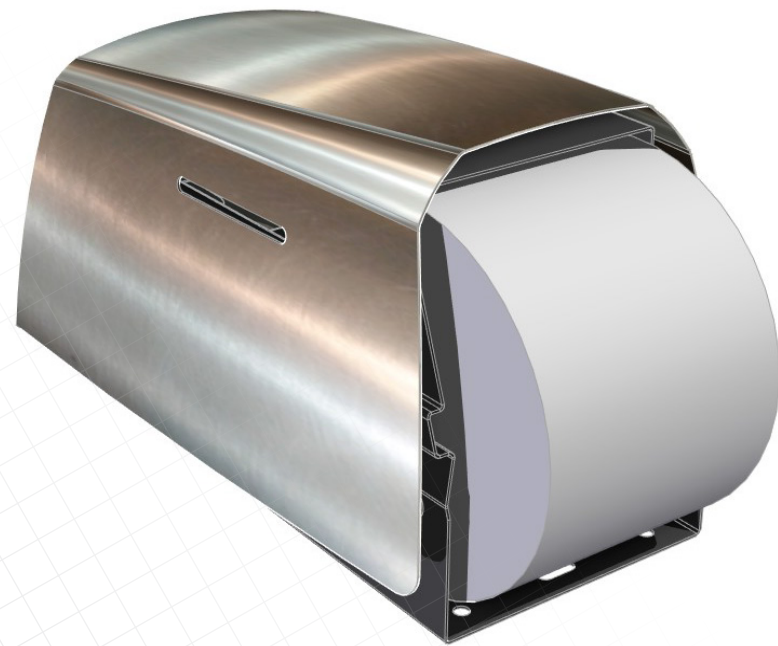
Air Fresh



Innovative technology removes the need to use batteries.

PLATINUM RANGE

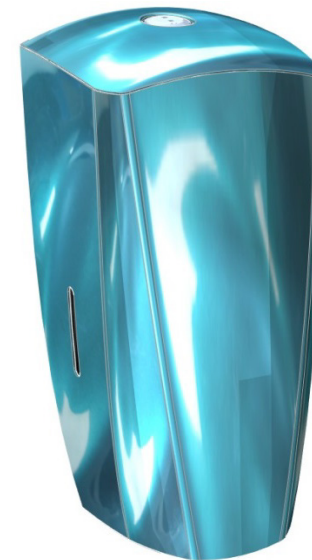
2 Roll Dispenser



PLATINUM RANGE

Bespoke Finish

Bespoke colours to co-ordinate with every washroom decor.



CLASSIC RANGE

Soap Dispenser



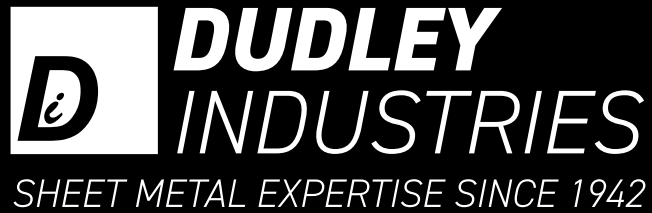
Choices of surface treatments from textured, brushed through to mirror finish.

BRAND IDENTITY

Laser Etching

Stylish
branding
options.





Sales: +44 (0)1253 738 311

Dudley Industries Ltd
Preston Road
Lytham-St-Annes
Lancashire
FY8 5AT

Email: sales@dudleyindustries.com
Web: www.dudleyindustries.com