



# STONECRETE

Balustrading

Balustrading isn't just for stately homes. It can enhance any property, whether used for finishing off a patio in the back garden, defining an area, or set on a low wall at the front of the house.

### Components:

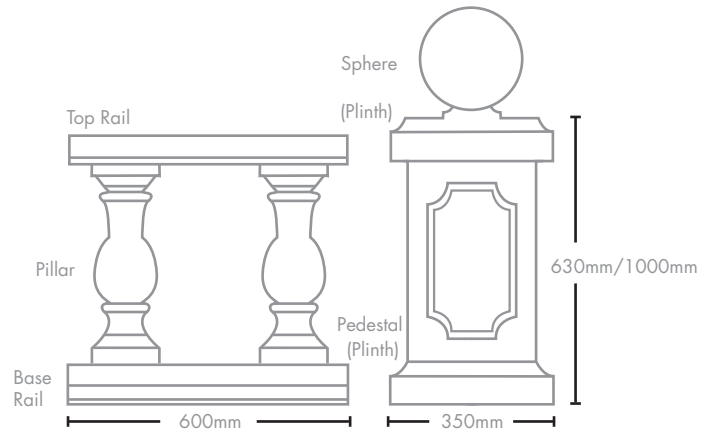
All components of our balustrading sets are pictured here. We offer a choice of two sizes. For more information please turn over for a full table of measurements.

### Construction:

All Balustrading parts should be fixed together using a strong mortar mix (3 parts sand to 1 part cement).

### Production:

Stonecrete balustrades are made from a unique mix of concrete, dyes and additives resulting in a frost/weather proof finish. We put maximum effort into ensuring that all items are made to the highest standard.



## Classic Balustrading



Grey



Cream Stone



Mediterranean White





## BALUSTRADING MEASUREMENTS

# STONECRETE

Item	Inches			mm			
	W	L	H	W	L	H	
<b>Sets</b>	Complete Set: large base small pillar	9.5	23.6	23.4	240	600	595
	Complete Set: small base small pillar	7.9	23.6	22.5	200	600	570
	Complete Set: large base large pillar	9.5	23.6	36.9	240	600	945
Top Rail	7.9	23.6	2.4	200	600	60	
Small Pillar	5.5	5.5	17.7	140	140	450	
Large Pillar	5.5	5.5	31.5	140	140	800	
Large Base Rail	9.5	23.6	3.3	240	600	85	
Small Base Rail	7.9	23.6	2.4	200	600	60	
Complete Pedestal: small	13.5	13.8	24.8	350	350	630	
Complete Pedestal: large	13.8	13.8	29	350	350	1000	
Sphere	9.9	9.9	9.9	250	250	250	

**BALUSTRADING ARRANGEMENTS** Here are some popular arrangement ideas

**Number of Pillars per set:** Most customers tend to purchase complete sets consisting of 1 Top Rail, 1 Base Rail and either 2 Pillars or 3 Pillars.

**Using End/Corner Pedestals:** A balustrading run will look great when combined with our Pedestals. They should be used at ends, corners and also evenly spaced along any great lengths.

**Large or Small Base Rail:** We offer two sizes of Base Rail

**Large Base Rail** A wider and slightly higher base rail (see measurements) made to sit perfectly on a two brick thick stud wall. Let your wall counteract uneven ground and mount your balustrading on top.

**Small Base Rail** A thinner and lower base rail (see measurements) which is identical to the top. It is more cost effective and perfect if you want to fix directly to a concrete or paving floor.

