



LED Pilot Lights (PL)



The JCE range of 'PL' explosion proof LED Pilot Lights are ATEX & IECEx certified, for fitting to control enclosures with compatible Ex d or Ex tb product certification. Suitable for industrial and hazardous areas, these pilot lights are of a robust design and offer good visibility under daylight conditions. They have an estimated life of 100,000 hours and an IP66 ingress protection rating.

'PL' Lights are available in industry standard colours: white, green, amber, red, blue & yellow and are also available in different thread forms.


Suitable for Zones 1 & 2 Gas Hazardous Areas, and Zones 21 & 22 Combustible Dust Hazardous Areas.

Compatible with JCE Group EJB and GUB series enclosures.

Materials & Finish

Body & Locknut -	Stainless Steel 316
Lens -	Makrolon
Terminations -	Tinned brass and zinc plated steel
'O'Ring -	Nitrile

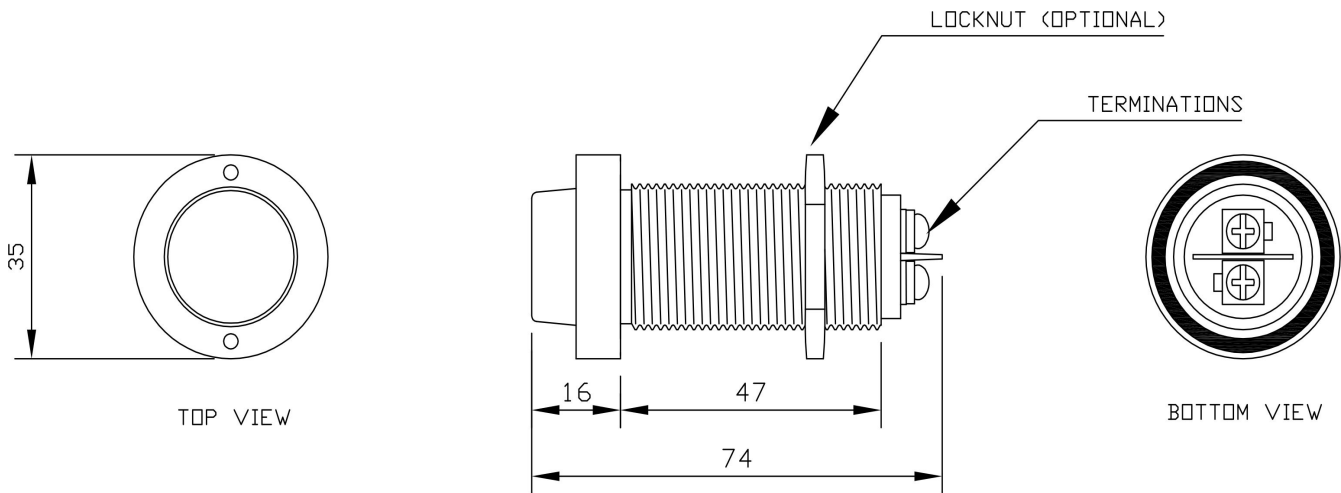
Ratings & Approvals

Categories -	 II 2 G II 2 D
Codes -	Ex d mb IIC Gb Ex mb tb IIIC Db
Protection Grade -	IP66
Certificate No's -	TRAC12ATEX0033U IECEX TRC 12.0014U
Temperature -	-40°C to +60°C

Certification:



Dimensions



ALL DIMENSIONS IN MILLIMETRES

Ordering Information

VOLTAGE	THREAD	AMBER	BLUE	GREEN	RED	WHITE	YELLOW
230VAC PL1	M25	201A02108	201A02744	201A02109	201A02110	201A02111	JCE001418
110VAC PL2	M25	201A02112	201A02745	201A02113	201A02114	201A02115	JCE001417
24VAC/DC PL3	M25	201A02116	201A02746	201A02117	201A02118	201A02119	JCE001416
230VAC PL1	3/4" NPSM	201A02120	201A03077	201A02121	201A02122	201A02123	JCE001421
110VAC PL2	3/4" NPSM	201A02124	201A03078	201A02125	201A02126	201A02127	JCE001420
24VAC/DC PL3	3/4" NPSM	201A02128	201A03079	201A02129	201A02130	201A02131	JCE001419
230VAC PL1	3/4" BSPP	201A02132	201A03080	201A02133	201A02134	201A02135	JCE001424
110VAC PL2	3/4" BSPP	201A02136	201A03081	201A02137	201A02138	201A02139	JCE001423
24VAC/DC PL3	3/4" BSPP	201A02140	201A03082	201A02141	201A02142	201A02143	JCE001422



JCE (Europe) Ltd, East Way, Lee Mill Industrial Estate, Ivybridge, PL21 9LL
 Tel: +44 (0) 1752 690530
 E-Mail: info@jcegroup.com

JCE Group (UK) Ltd, Blackburn Business Park, Aberdeen, AB21 0PS
 Tel: +44 (0) 1224 798600
 E-Mail: info@jcegroup.com

- Details of certification and conformity can be provided on request.
- All products sold subject to our terms and conditions of business.
- Health and Safety at Work Act 1974. In the UK all equipment must be installed and disposed of (as required) within the legislative requirements of the Health & Safety at Work Act 1974.
- We reserve the right to make alterations to the technical data dimensions, weights, designs and product available without notice.
- The illustrations should not be considered legally binding.