

CCTV Products 2010

...ready for your close up?

FOCUS



**Raytel Security
Systems**

helping to keep communities safer

USEFUL REMINDERS

Ingress protection

The IP number consists of 3 digits, but often, only 2 are used as the third is used to indicate special conditions. The first digit indicates the level of protection against solid objects and the second indicates the level of protection against water and moisture.

1st digit Protection against solid objects	2nd digit Protection against moisture and water
0 Non-protected	0 Zero protection
1 Protection against solid objects > 50 mm	1 Protection against dripping water
2 Protection against solid objects > 12 mm	2 Protection against dripping water, tilted at 15 degrees
3 Protection against solid objects > 2.5 mm	3 Protection against spray
4 Protection against solid objects > 1.0 mm	4 Protection against splashing water
5 Dust protected	5 Protection against water jets
6 Dust tight	6 Protection against heavy seas
	7 Protection against the effects of submersion
	8 Protection against submersion

Industrial Housings for CCTV cameras are typically rated as IP65. Under Home Office guidelines for surveillance activities, the Operational Requirement needs to fulfil one or more of the following purposes:

**MONITOR
DETECT
RECOGNISE
IDENTIFY**

and the Operational Requirement for:-

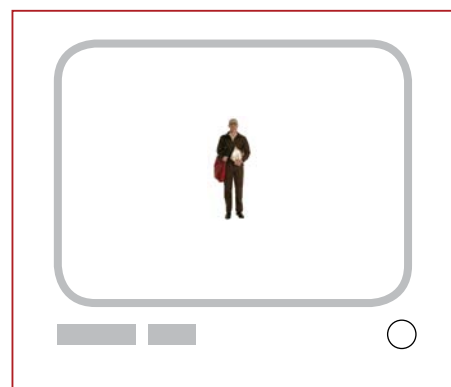
- a) Monitoring human or vehicle traffic gives a target size of not less than 5% of the monitor screen.
- b) Detecting target electronically is 10% of the monitor screen size.
- c) Recognition of a "known person" not less than 50% of the monitor screen.
- d) Identification of a person such as to obtain a picture of evidential quality is not less than 120% of the monitor screen i.e. the face and body of an adult filling 100% of the screen barring the lower legs.

Vehicle Recognition

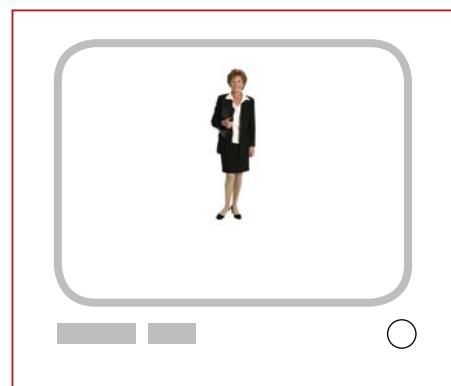
A typical family saloon is 1.5m wide with a typical vehicle registration number plate 520mm long. With the full width of a vehicle filling a CCTV monitor screen, the number plate will occupy 1/3 of the screen. With a fixed lens camera, it is unlikely that identification of both number plate and driver of a vehicle could be obtained with one camera.



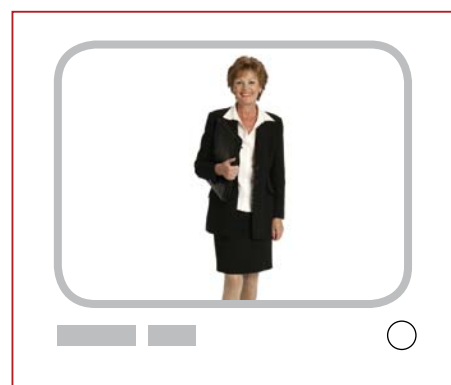
Monitoring sites or crowds – 5%



Detection – 10%



Recognise a 'known' person – 50%



Identify a 'known' person – 120%

WHY BUY FROM US?

Quality Lenses

As lenses are a key element of a good CCTV system, we use only the best quality Japanese or Korean manufactured lenses. Wherever possible we use glass lenses for a longer lasting crisp clean image, as plastic lenses can deteriorate over time.



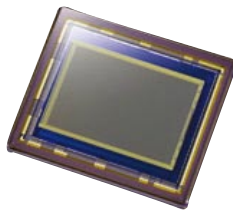
Sales team

Our dedicated sales team offer a free quotation service taking the headache of working out equipment lists and prices. Just give them a call with your requirement and they will give you an itemised quote for your entire system.



Sony CCD Sensors

The majority of our cameras use high quality CCD sensors with colour resolutions over 500TVL. We ensure that we use the best grade of sensor, so when we say '500TVL' it really is.



Technical support

We also have a team of technical experts who can assist you by phone whilst you are on-site. With knowledge and expertise just a phone call away, you can rest assured that in the unlikely event that you will need any help, it is there for you!



Manufacturing Quality and testing

Working with our factories in the Far East we ensure that all of our products are of the best possible quality and have been thoroughly tested. With additional testing before we despatch our products, we go that extra mile to ensure you receive the products you expect in good working order.



Stock and delivery

We listen to our customers needs and always try to ensure we have all the products that are needed for a first class CCTV installation. Same day dispatch (if ordered by 4pm) is simply another part of our complete and professional service.



CONTENTS

4-13

CAMERAS

	B/W BULLET CAMERA MID-RES	4
	COLOUR BULLET CAMERA MID-RES	4
	COLOUR IR BULLET CAMERA HI-RES	5
	COLOUR IR BULLET CAMERA HI-RES	5
	COLOUR IR BULLET CAMERA HI-RES	6
	COLOUR EXTERIOR ADJUSTMENT IR CAMERA HI-RES	6
	COLOUR MINI DOME MID-RES	7
	COLOUR MID DOME CAMERA HI-RES	7
	COLOUR MID DOME CAMERA HI-RES VARI-FOCAL LENS	8
	COLOUR IR DOME HI-RES	8
	COLOUR MINI VANDAL DOME HI-RES	9
	COLOUR 3-AXIS IR OUTDOOR DOME HI-RES	9
	COLOUR 3-AXIS VANDAL DOME HI-RES	10
	COLOUR 3-AXIS IR VANDAL DOME HI-RES	11
	COLOUR DAY & NIGHT CAMERA HI-RES IR CUT FILTER REMOVABLE	12
	COLOUR WIDE DYNAMIC CAMERA HI-RES	12
	LENSES	13
	BOARD CAMERAS	13

4-18

CAMERA CONT'D

	COLOUR IR OUTDOOR CAMERA HI-RES	14
	COLOUR IR OUTDOOR VARI-FOCAL CAMERA HI-RES	14
	COLOUR IR EXTERIOR ADJUSTMENT CAMERA HI-RES 30/40/50M	15
	375° 23X EXVIEW DAY/NIGHT SPEED DOME	16
	360° Endless 23X EXVIEW DAY/NIGHT SPEED DOME	17
	COLOUR SMOKE DETECTOR CAMERA MID-RES	18
	MOTION SENSOR FLOODLIGHT COLOUR CAMERA	18

19-25

DVR's



	DVR SERIES PRODUCT COMPARISON TABLE	19
	4CH MINI TRIPLEX MPEG4 DVR	20
	4CH PENTAPLEX NETWORK DVR	21
	8CH PENTAPLEX NETWORK DVR	22
	16CH PENTAPLEX NETWORK DVR	23
	4CH PENTAPLEX HYBRID DVR	24
	19" LCD COMBO DVR	25

26-39

IP CAM/SERVERS



IP CAMERA COMPARISON TABLE	26
IP CAMERA COMPARISON TABLE	27
H.264 IP 2 MEGA PIXEL CMOS CAMERA	28
H.264 IP 2 MEGA PIXEL 3-AXIS VANDAL DOME	29
MPEG4 EXVIEW DAY/NIGHT IP SPEED DOME	30
MPEG4 IP 1.2 MEGA PIXEL CCD CAMERA	31
MPEG4 IP 1.3 MEGA PIXEL CMOS CAMERA	32
MPEG4 IP CCD HI-RES CAMERA	33
MPEG4 MEGA PIXEL IR VANDAL DOME	34
MPEG4 CCD OUTDOOR IR CAMERA	35
MPEG4 CMOS MEGA PIXEL DOME	36
MPEG4 IP CCD OUTDOOR IR CAMERA	37
MPEG4 1CH VIDEO TRANSCEIVER	38
MPEG4 1CH VIDEO SERVER	38
SYSTEM ARCHITECTURE FOR YWS-OID	39

PLEASE NOTE

WHILST EVERY EFFORT IS MADE TO ENSURE THE ACCURACY OF THE CATALOGUE AT THE TIME OF PUBLICATION, WE RESERVE THE RIGHT TO SUPPLY EQUIPMENT IN LINE WITH CURRENT DESIGN SPECIFICATIONS AND RECOMMEND THAT CRITICAL PARAMETERS ARE CHECKED AT THE ORDER STAGE.

40-41

SOFTWARE

 16/36CH FREE RECORDING SOFTWARE	40
 PANOSECURE PANORAMA SURVEILLANCE MANAGEMENT SOFTWARE	40
 DELUXE (04, 09, 16, 36, 72CH FOR SELECTION) POWERFUL	41

42-43

HOUSINGS, BRACKETS & PSU's



44-47

MONITORS & ACCESSORIES



B/W BULLET CAMERA MID-RES

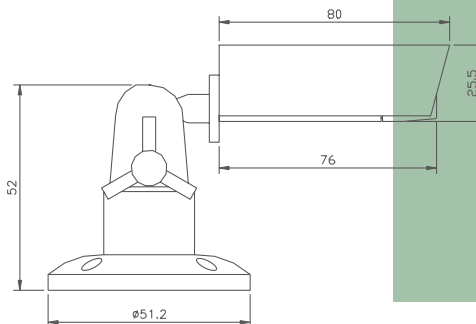
Features

Easy installation
Water resistance IP66
Compact size

YUB-BU52

Image Pick-Up Device	1/3" B/W CCD
Pixel Number	EIA: 510x492, CCIR: 500x582
Sync System	Internal
Resolution	More than 420TVL
Back Light Compensation	Auto
Electronic Shutter	1/50 (1/60)...1/100,000s
Gain Control	Auto
Gamma	0.45
S/N Ratio	More than 48dB (AGC off)
Video Output	BNC, 1Vp-p, 75Ω
Minimum Illumination	0.2 Lux
Lens	3.6mm board lens standard
Power	DC12V /100mA (±10%)
Dimension (mm)	25.5Ø x 76L
Weight	80g / 40pcs per carton
Operating Temperature	-10°C...+45°C
Indoor/Outdoor	IP66

Bracket shown is supplied



CAMERA



COLOUR BULLET CAMERA MID-RES

Features

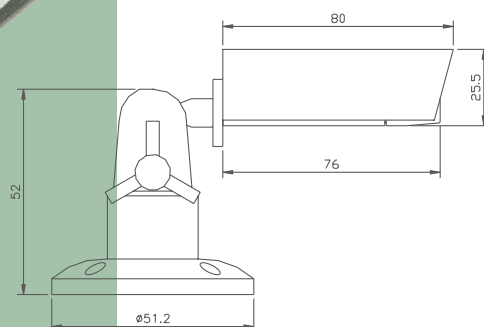
Easy installation
Water resistance IP66
Compact size

Bracket shown is supplied

YUC-BU64

Image Pick-Up Device	1/4" colour CCD
Pixel Number	NTSC: 512x492, PAL: 512x582
Sync System	Internal
Resolution	More than 380TVL
Back Light Compensation	Auto
Electronic Shutter	1/50 (1/60)...1/100,000s
Gain Control	Auto
Gamma	0.45
S/N Ratio	More than 48dB (AGC off)
Video Output	BNC, 1Vp-p, 75Ω
Minimum Illumination	1 Lux
Lens	3.6mm board lens standard
Power	DC12V / 125mA (±10%)
Dimension (mm)	25.5Ø x 76L
Weight	80g / 40pcs per carton
Operating Temperature	-10°C...+45°C
Indoor/Outdoor	IP66

CAMERA



COLOUR IR BULLET CAMERA HI-RES

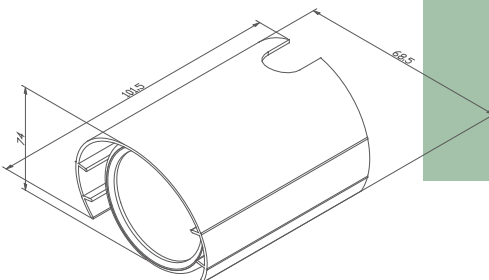
Features

IR range 15-20 metres
 540TVL resolution
 Water resistance IP66
 Excellent day & night performance

YUC-Ai23

Image Pick-Up Device	1/3" Colour CCD
Pixel Number	NTSC: 768x494, PAL: 752x582
Sync System	Internal
Resolution	540TVL
Back Light Compensation	Auto
Electronic Shutter	1/50 (1/60)...1/100,000s
Gain Control	Auto
Gamma	0.45
S/N Ratio	More than 48dB (AGC off)
White Balance	Auto
Video Output	BNC, 1Vp-p, 75Ω
Minimum Illumination	0 Lux
IR LED	30 units x IR for 10000hrs
IR Range	15...20 metres
Lens	4.3mm board lens standard
Power	DC12V / 280mA (±10%)
Dimension (mm)	74H x 68.5W x 101.5D
Weight	400g / 20pcs per carton
Operating Temperature	-10°C...+45°C
Indoor/Outdoor	IP66

Bracket shown is supplied



CAMERA



COLOUR IR BULLET CAMERA Hi-RES

Features

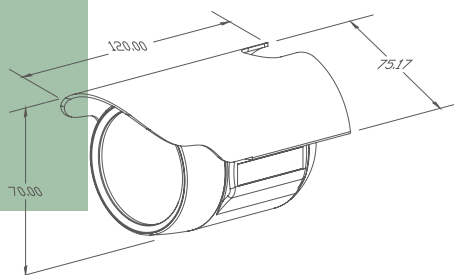
IR range 15-20 metres
 540TVL resolution
 Water resistance IP66
 Excellent day & night performance

Bracket shown is supplied

YUC-Ei23

Image Pick-Up Device	1/3" Colour CCD
Pixel Number	NTSC: 768x494, PAL: 752x582
Sync System	Internal
Resolution	540TVL
Back Light Compensation	Auto
Electronic Shutter	1/50 (1/60)...1/100,000s
Gain Control	Auto
Gamma	0.45
S/N Ratio	More than 48dB (AGC off)
White Balance	Auto
Video Output	BNC, 1Vp-p, 75Ω
Minimum Illumination	0 Lux
IR LED	30 units x IR for 10000hrs
IR Range	15...20 metres
Lens	4.3mm board lens standard
Power	DC12V / 280mA (±10%)
Dimension (mm)	70H x 75W x 120D
Weight	400g / 20pcs per carton
Operating Temperature	-10°C...+45°C
Indoor/Outdoor	IP66

CAMERA



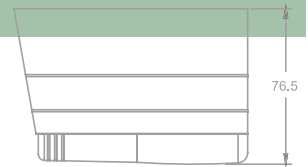
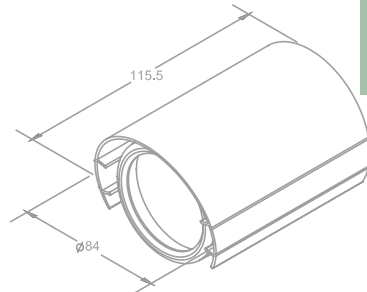
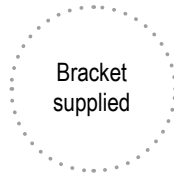
COLOUR IR BULLET CAMERA HI-RES

Features

IR range 15-20 metres
540TVL resolution
Water resistance IP66
True colour day & night performance

YUC-Bi23

Image Pick-Up Device	1/3" Colour CCD
Pixel Number	NTSC: 768x494, PAL: 752x582
Sync System	Internal
Resolution	540TVL
Back Light Compensation	Auto
Electronic Shutter	1/50 (1/60)...1/100,000s
Gain Control	Auto
Gamma	0.45
S/N Ratio	More than 48dB (AGC off)
White Balance	Auto
Video Output	BNC, 1Vp-p, 75Ω
Minimum Illumination	0 Lux
IR LED	24 units x IR for 10000hrs
IR Range	15...20 metres
Lens	4.3mm board lens standard
Power	DC12V / 280mA (±10%)
Dimension (mm)	76.54H x 84W x 120D
Weight	400g / 20pcs per carton
Operating Temperature	-10°C...+45°C
Indoor/Outdoor	IP66



CAMERA

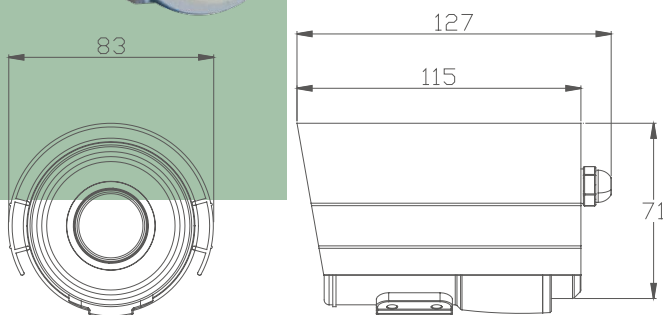
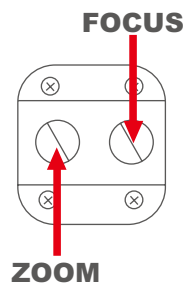


COLOUR EXTERIOR ADJUSTMENT IR CAMERA HI-RES

Features

IR range 25 metres
Water resistance IP66
2.8-10mm auto iris lens w/exterior zoom/focus adjustment
Double Glass Design to cut IR reflection
Excellent day & night performance
540TVL resolution

CAMERA



YUC-Ki23-210

Image Pick-Up Device	1/3" CCD image sensor
Pixel Number	NTSC: 768x494, PAL: 752x582
Sync System	Internal
Resolution	540TVL
Back Light Compensation	Auto
Electronic Shutter	AUTO, 1/50(1/60)...1/100,000s.
Gain Control	Auto
Gamma	0.45
S/N Ratio	More than 48 dB
Video Output	1 Vpp, 75Ω
Minimum Illumination	0 Lux IR ON
IR LED	35 Unit infrared LED, 10000hrs
IR Distance	25 metres
Lens	2.8...10mm auto iris lens
Storage Temperature	-30...+60 Degree C
Power Supply	DC12V / 340 mA (IR ON)
Dimensions (mm)	71H x 83W x 127D
Weight	550g
Operating Temperature	-10°C...+45°C
Indoor / Outdoor	IP 66

COLOUR MINI DOME MID-RES

Features

Ultra mini dome Ø73 x 54mm
Easy installation

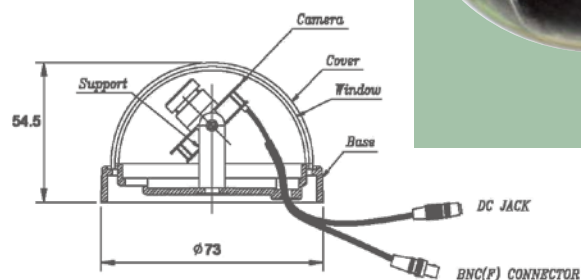
CAMERA

1/3"
COLOUR CCD

BOARD
Lens

YUC-SD62

Image Pick-Up Device	1/3" colour CCD
Pixel Number	NTSC: 512x492, PAL: 512x582
Sync System	Internal
Resolution	380TVL
Back Light Compensation	Auto
Electronic Shutter	1/50 (1/60)...1/100,000s
Gain Control	Auto
Gamma	0.45
S/N Ratio	More than 48dB (AGC off)
Video Output	BNC, 1Vp-p, 75Ω
Minimum Illumination	1 Lux
Lens	3.6mm board lens standard
Power	DC12V / 75mA (±10%)
Dimension (mm)	73Ø x 54.5H
Weight	100g / 40pcs per carton
Operating Temperature	-10°C...+45°C



COLOUR MID DOME CAMERA HI-RES

Features

540TVL resolution
Easy installation

CAMERA

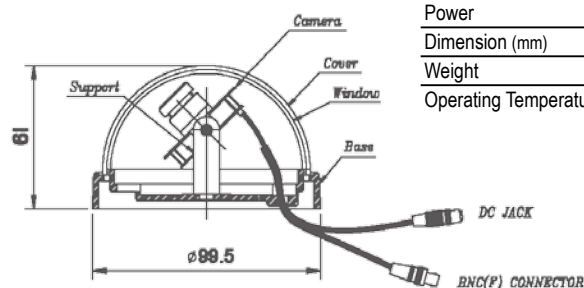
1/3"
COLOUR CCD

BOARD
Lens



YUC-MD23

Image Pick-Up Device	1/3" colour CCD
Pixel Number	NTSC: 768x494, PAL: 752x582
Sync System	Internal
Resolution	540TVL
Back Light Compensation	Auto
Electronic Shutter	1/50 (1/60)...1/100,000s
Gain Control	Auto
Gamma	0.45
S/N Ratio	More than 48dB (AGC off)
White Balance	Auto
Video Output	BNC, 1Vp-p, 75Ω
Minimum Illumination	0.1 Lux/F1.2
Lens	3.6mm board lens standard
Power	DC12V/ 130mA (±10%)
Dimension (mm)	99.5Ø x 61H
Weight	120g / 40pcs per carton
Operating Temperature	-10°C...+45°C



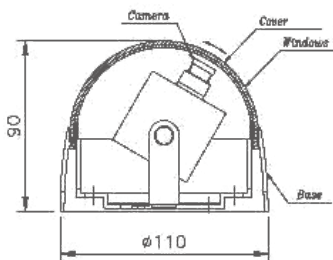
COLOUR DOME HI-RES VARI-FOCAL LENS

Features

520TVL resolution
4-9mm/3.7-12mm auto iris lens
Easy installation

YUC-LD23-49

Image Pick-Up Device	1/3" colour CCD
Pixel Number	NTSC: 768x494, PAL: 752x582
Sync System	Internal
Resolution	520TVL
Back Light Compensation	Auto
Electronic Shutter	1/50 (1/60)...1/100,000s
Gain Control	Auto
Gamma	0.45
S/N Ratio	More than 48dB (AGC off)
White Balance	Auto
Video Output	BNC, 1Vp-p, 75Ω
Minimum Illumination	0.1 Lux/F1.2
Lens	4-9mm auto iris lens 3.7...12mm auto iris lens
Power	DC12V / 130mA (±10%)
Dimension (mm)	110Ø x 90
Weight	380g / 20pcs per carton
Operating Temperature	-10°C...+45°C



CAMERA



ORDER INFORMATION

4-9mm lens 3.7-12mm lens

YUC-LD23-49

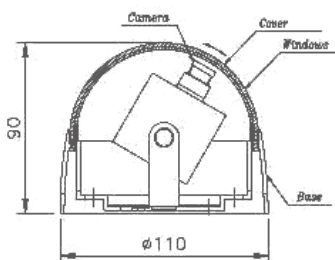
YUC-LD23-312

COLOUR IR DOME HI-RES

Features

IR range 10-15 metres
540TVL resolution
Easy installation

CAMERA



YUC-Li23

Image Pick-Up Device	1/3" Colour CCD
Pixel Number	NTSC: 768x494, PAL: 752x582
Sync System	Internal
Resolution	540TVL
Back Light Compensation	Auto
Electronic Shutter	1/50 (1/60)...1/100,000s
Gain Control	Auto
Gamma	0.45
S/N Ratio	More than 48dB (AGC off)
White Balance	Auto
Video Output	BNC, 1Vp-p, 75Ω
Minimum Illumination	0 Lux
IR LED	24 units x IR for 10000hrs
IR Range	10...15 metres
Lens	4.3mm board lens standard
Power	DC12V / 400mA (±10%)
Dimension (mm)	110Ø x 90
Weight	380g / 20pcs per carton
Operating Temperature	-10°C...+45°C

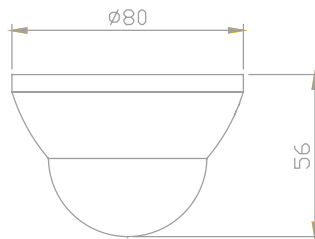
COLOUR MINI VANDAL DOME HI-RES

Features

540TVL resolution
Ceiling mounted design
Vandal/water resistance IP66

YUC-SV23

Image Pick-Up Device	1/3" colour CCD
Pixel Number	NTSC: 768x494, PAL: 752x582
Sync System	Internal
Resolution	540TVL
Back Light Compensation	Auto
Electronic Shutter	1/50 (1/60)...1/100,000s
Gain Control	Auto
Gamma	0.45
S/N Ratio	More than 48dB (AGC off)
Video Output	BNC, 1Vp-p, 75Ω
Minimum Illumination	0.1 Lux
Lens	3.6mm board lens standard
Power	DC12V / 100mA (±10%)
Dimension (mm)	80Ø x 56H
Weight	800g / 20pcs per carton
Operating Temperature	-10°C...+45°C
Indoor/Outdoor	IP66



CAMERA



COLOUR 3-AXIS IR OUTDOOR DOME HI-RES

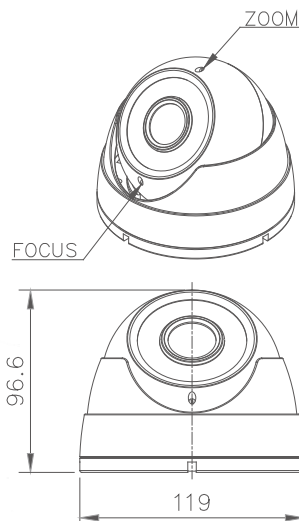
Features

IR range 25 metres
540TVL resolution
3-axis structure
Water resistance IP66

3.7-12mm auto iris lens w/exterior zoom/focus adjustment
Double glass design to cut IR reflection

YUC-Si23-312

Image Pick-Up Device	1/3" CCD image sensor
Pixel Number	NTSC: 768 x 494 PAL: 752 x 582
Sync System	Internal
Resolution	540TV Lines
Back Light Compensation	Auto
Electronic Shutter	1/50 (1/60)...1/100,000s
Gain Control	Auto
Gamma	0.45
S/N Ratio	More than 48 dB (AGC off)
Video Output	BNC, 1 Vp-p, 75Ω
Minimum Illumination	0 Lux (IR on)
IR LED	30 unit x IR for 10000hrs
IR Distance	25 metres
Lens	3.7...12mm auto iris lens
Power Supply	DC12 V / 430mA (±10 %)
Dimensions (mm)	119Ø x 96.6
Weight	850g
Operating Temperature	-10°C...+50°C
Indoor/Outdoor	IP66



CAMERA



COLOUR 3-AXIS VANDAL DOME HI-RES

Features

3-axis structure
540TVL resolution
Vandal/water resistance IP66

YUC-OV23

Image Pick-Up Device	1/3" colour CCD
Pixel Number	NTSC: 768x494, PAL: 752x582
Sync System	Internal
Resolution	540TVL
Back Light Compensation	Auto
Electronic Shutter	1/50 (1/60)...1/100,000s
Gain Control	Auto
Gamma	0.45
S/N Ratio	More than 48dB (AGC off)
Video Output	BNC, 1Vp-p, 75Ω
Minimum Illumination	0.1 Lux/F1.2
Lens	3.6mm board lens standard
Power	DC12V or AC24V / 120mA (±10%)
Dimension (mm)	142H x 142W x 100D
Weight	1000g / 20pcs per carton
Operating Temperature	-10°C...+45°C
Indoor/Outdoor	IP66

ORDER INFORMATION

	DC12V	AC24V
YUC-OV23	■	
YUC-OV23AC		■

CAMERA



YUC-D04
Vandal Dome Wall Mount

COLOUR 3-AXIS VANDAL DOME HI-RES

CAMERA



YUC-D04
Vandal Dome Wall Mount

Features

3-axis structure
540TVL resolution
Vandal/water resistance IP66
4-9mm/3.7-12mm auto iris lens

YUC-OV23-49

Image Pick-Up Device	1/3" colour CCD
Pixel Number	NTSC: 768x494, PAL: 752x582
Sync System	Internal
Resolution	540TVL
Back Light Compensation	Auto
Electronic Shutter	1/50 (1/60)...1/100,000s
Gain Control	Auto
Gamma	0.45
S/N Ratio	More than 48dB (AGC off)
Video Output	BNC, 1Vp-p, 75Ω
Minimum Illumination	0.1 Lux/F1.2
Lens	4-9mm auto iris lens 3.7...12mm auto iris lens
Power	DC12V or AC24V / 120mA (±10%)
Dimension (mm)	142H x 142W x 100D
Weight	1000g / 20pcs per carton
Operating Temperature	-10°C...+45°C
Indoor/Outdoor	IP66

ORDER INFORMATION

	DC12V	AC24V	4-9mm lens	3.7-12mm lens
YUC-OV23-49	■		■	
YUC-OV23-49AC		■	■	
YUC-OV23-312	■			■
YUC-OV23-312AC		■		■

COLOUR 3-AXIS IR VANDAL DOME HI-RES

Features

IR range 15 metres
540TVL resolution
3-axis structure
Vandal/water resistance IP66

YUC-Oi23

Image Pick-Up Device	1/3" colour CCD
Pixel Number	NTSC: 768x494, PAL: 752x582
Sync System	Internal
Resolution	540TVL
Back Light Compensation	Auto
Electronic Shutter	1/50 (1/60)...1/100,000s
Gain Control	Auto
Gamma	0.45
S/N Ratio	More than 48dB (AGC off)
Video Output	BNC, 1Vp-p, 75Ω
Minimum Illumination	0 Lux
IR LED	24 units x IR for 10000hrs
IR Range	15 metres
Lens	4.3mm board lens standard
Power	DC12V / 180mA (±10%)
Dimension (mm)	142H x 142W x 100D
Weight	1000g / 20pcs per carton
Operating Temperature	-10°C...+45°C
Indoor/Outdoor	IP66



CAMERA



ORDER INFORMATION

	DC12V	AC24V
YUC-Oi23	■	
YUC-Oi23AC		■



CAMERA



COLOUR 3-AXIS IR VANDAL DOME HI-RES

Features

IR range 10-15 metres
540TVL resolution
3-axis structure
Vandal/water resistance IP66 pass
3.7-12mm auto iris lens
IR cut removal filter (ICR) built-in

YUC-Oi23-312

Image Pick-Up Device	1/3" colour CCD
Pixel Number	NTSC: 768x494, PAL: 752x582
Sync System	Internal
Resolution	540TVL
Back Light Compensation	Auto
Electronic Shutter	1/50 (1/60)...1/100,000s
Gain Control	Auto
Gamma	0.45
S/N Ratio	More than 48dB (AGC off)
Video Output	BNC, 1Vp-p, 75Ω
Minimum Illumination	0 Lux
IR LED	12 units x IR for 10000hrs
IR RANGE	10...15 metres
Lens	3.7...12mm auto iris lens
Power	DC12V or AC24V / 270mA (±10%)
Dimension (mm)	142H x 142W x 100D
Weight	1000g / 20pcs per carton
Operating Temperature	-10°C...+45°C
Indoor/Outdoor	IP66



ORDER INFORMATION

	DC12V	AC24V
YUC-Oi23-312	■	
YUC-Oi23-312AC		■

COLOUR DAY & NIGHT CAMERA HI-RES IR CUT REMOVABLE FILTER

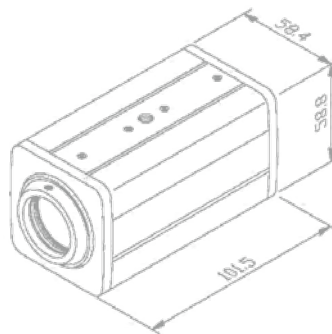
Features

- 540TVL resolution
- IR cut removable filter
- Day & night operation
- True colour video performance

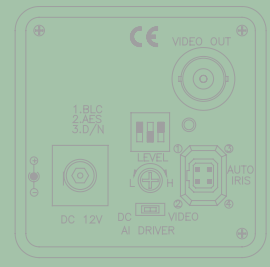
YUC-6023

Image Pick-Up Device	1/3" colour CCD
Pixel Number	NTSC: 768x494, PAL: 752x582
Sync System	Internal/Line lock
Resolution	540TVL
Back Light Compensation	Switch ON / OFF
Electronic Shutter	1/50 (1/60)...1/100,000s
Gain Control	Switch ON / OFF
Gamma	0.45
S/N Ratio	More than 48dB (AGC off)
White Balance	Auto
Video Output	BNC, 1Vp-p, 75Ω
Minimum Illumination	0.1 Lux/F1.2
Lens	CS Mount (DC/Video type lens)
Power	DC12V / 230mA
Dimension (mm)	59H x 58W x 101.5Dmm
Weight	275g
Operating Temperature	-10°C...+45°C

Lens
supplied
separately on all
box cameras



CAMERA



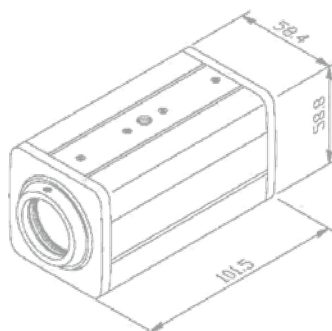
ORDER INFORMATION

	DC12V	Mains
YUC-6023	■	
YUC-6023AC240		■

CAMERA



Lens
supplied
separately on all
box cameras

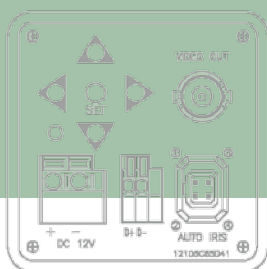


COLOUR WIDE DYNAMIC CAMERA HI-RES Features

- Adjustable wide dynamic range
- Switchable day & night operation
- OSD function control
- IR filter switching mechanism
- Low speed shuttering up to 32x

YUC-WD23

Image Pick-Up Device	1/3" colour CCD
Pixel Number	PAL: 742x554
Sync System	Internal/Line lock
Resolution	520TVL
Day & Night	Switch ON / OFF
Camera ID	Switch ON (12 characters, position setting) / OFF
Back Light Compensation	Switch ON / OFF
Slow Shutter	Off, x2, x4, x8, x16, x32
Gain Control	High / medium / custom / low
Gamma	0.45
S/N Ratio	More than 48dB (AGC off)
Wide Dynamic	High / medium / custom / low
Dynamic range	120dB max. 102dB typical
Video Output	BNC, 1Vp-p, 75Ω
Minimum Illumination	0.1 Lux/F1.2
Lens	CS Mount (DC/Video type lens)
Power	Dual power DC12V/AC24V (±10%)
Remote control	RS485
Dimension (mm)	58.8H x 58.4W x 101.5D
Weight	320g
Operating Temperature	-10°C...+60°C



C/CS MOUNT LENSES

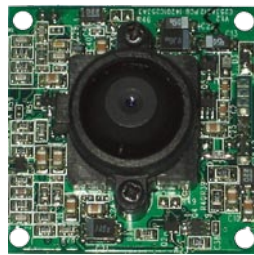
Features

Quality Japanese / Korean Lenses
Precisely engineered

CAMERA

YTL-F4M620	4mm F2.0 Fixed Iris / Manual Focus Lens
YTL-F6M020	6mm F1.8 Fixed Iris / Manual Focus Lens
YTL-F8M020	8mm F2.0 Fixed Iris / Manual Focus Lens
YTL-F12M020	12mm F2.0 Fixed Iris / Manual Focus Lens
SCV358D	3.5...8mm F1.4 DC Drive / Auto Iris / Manual Focus Lens
SCV416D	4...16mm F1.4 DC Drive / Auto Iris / Manual Focus Lens
SCV550D	5...50mm F1.4 DC Drive / Auto Iris / Manual Focus Lens

Other lenses available to order, please contact sales office.



COLOUR BOARD CAMERA MID-RES

YUC-0022

Image Pick-Up Device	1/3" Sony colour CCD
Pixel Number	NTSC: 512x492, PAL: 512x582
Sync System	Internal
Resolution	More than 420TVL
Back Light Compensation	Auto
Electronic Shutter	1/50 (1/60)...1/100,000s
Gain Control	Auto
Gamma	0.45
S/N Ratio	More than 48dB (AGC off)
Video Output	BNC, 1Vp-p, 75Ω
Minimum Illumination	0.05 Lux
Lens	3.6mm standard Variety of lens options
Power	DC12V / 110mA (±10%)
Dimension (mm)	32x32 / 38x38 / 42x42 Optional
Weight	20g / 100pcs per carton
Operating Temperature	-10°C...+45°C

COLOUR BOARD CAMERA HI-RES

YUC-0023

Image Pick-Up Device	1/3" Sony colour CCD
Pixel Number	NTSC: 768x494, PAL: 752x582
Sync System	Internal
Resolution	More than 540TVL
Back Light Compensation	Auto
Electronic Shutter	1/50 (1/60)...1/100,000s
Gain Control	Auto
Gamma	0.45
S/N Ratio	More than 48dB (AGC off)
Video Output	BNC, 1Vp-p, 75Ω
Minimum Illumination	0.05 Lux
Lens	3.6mm standard Variety of lens options
Power	DC12V / 130mA (±10%)
Dimension (mm)	32x32 / 38x38 / 42x42 Optional
Weight	20g / 100pcs per carton
Operating Temperature	-10°C...+45°C

COLOUR BOARD CAMERA MID-RES

YUC-0064

Image Pick-Up Device	1/4" Sharp colour CCD
Pixel Number	NTSC: 512x492, PAL: 512x582
Sync System	Internal
Resolution	More than 380TVL
Back Light Compensation	Auto
Electronic Shutter	1/50 (1/60)...1/100,000s
Gain Control	Auto
Gamma	0.45
S/N Ratio	More than 48dB (AGC off)
Video Output	BNC, 1Vp-p, 75Ω
Minimum Illumination	1.0 Lux
Lens	3.6mm standard Variety of lens options
Power	DC12V / 110mA (±10%)
Dimension (mm)	32x32 / 38x38 / 42x42 Optional
Weight	20g / 100pcs per carton
Operating Temperature	-10°C...+45°C

COLOUR IR OUTDOOR CAMERA HI-RES

Features

IR range 35 metres
540TVL resolution
2 visible flashing warning LED's
Cable managed bracket as option

YUC-Gi23

Image Pick-Up Device	1/3" Colour CCD
Pixel Number	NTSC: 768x494, PAL: 752x582
Sync System	Internal
Resolution	540TVL
Back Light Compensation	Auto
Electronic Shutter	1/50 (1/60)...1/100,000s
Gain Control	Auto
Gamma	0.45
S/N Ratio	More than 48dB (AGC off)
White Balance	Auto
Video Output	BNC, 1Vp-p, 75Ω
Minimum Illumination	0 Lux (IR on)
IR LED	56 units x IR / 2 units x visible LED
IR Range	35 metres
Fan	25°C OFF / 35°C ON
Lens	12mm board lens standard
Power	AC110V or AC230V (7W)
Dimension (mm)	100H x 120W x 240D
Weight	1.1kgs / 12pcs per carton
Operating Temperature	-10°C...+45°C
Indoor/Outdoor	IP66



YUK-CGI **YUK-WGI**
ORDER INFORMATION
YUK-CGI Ceiling mount bracket
YUK-WGI Wall mount bracket
Brackets supplied separately
- other brackets also available.

CAMERA



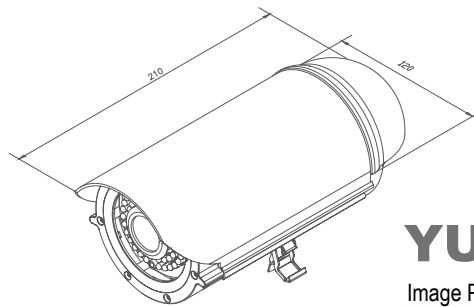
CAMERA



COLOUR IR OUTDOOR CAMERA HI-RES

Features

49 units IR LED to range 35 metres
540TVL resolution
3.7-12mm auto iris lens
Water resistance IP66
IR cut removal filter (ICR) built-in
Cable management bracket as option



YUC-Fi23-312

Image Pick-Up Device	1/3" Colour CCD
Pixel Number	NTSC: 768x494, PAL: 752x582
Sync System	Internal
Resolution	540TVL
Back Light Compensation	Auto
Electronic Shutter	1/50 (1/60)...1/100,000s
Gain Control	Auto
Gamma	0.45
S/N Ratio	More than 48dB (AGC off)
White Balance	Auto
Video Output	BNC, 1Vp-p, 75Ω
Minimum Illumination	0 Lux (IR on)
IR LED	49 units x IR for 10000hrs
IR Range	35 metres
Fan	25°C OFF / 35°C ON
Lens	3.7...12mm auto iris lens
Power	AC110V or AC230V (10W)
Dimension (mm)	100H x 120W x 240D
Weight	1.1kgs / 12pcs per carton
Operating Temperature	-10°C...+45°C
Indoor/Outdoor	IP66



YUK-CGI **YUK-WGI**
ORDER INFORMATION
YUK-CGI Ceiling mount bracket
YUK-WGI Wall mount bracket
Brackets supplied separately
- other brackets also available.

ORDER INFORMATION

	DC12V	Mains
YUC-Fi23-312-12	■	
YUC-Fi23-312		■

COLOUR IR EXTERIOR ADJUSTMENT CAMERA HI-RES 30/40/50M

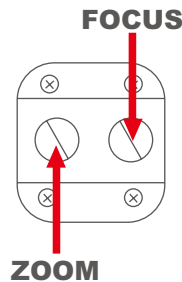
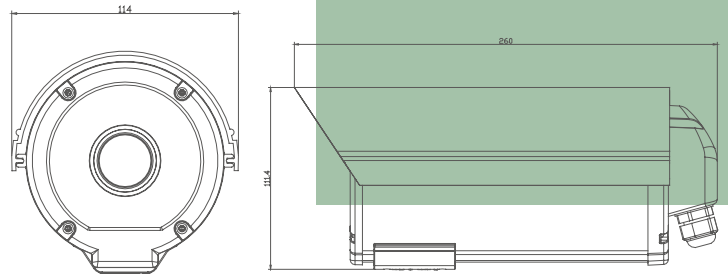
Features

IR range 30 metres
 540TVL resolution
 Water resistance IP66
 3.7-12mm auto iris lens w/exterior zoom/focus adjustment
 IR cut removal filter (ICR) built-in

YUC-7i23-30

Image Pick-Up Device	1/3" CCD image sensor
Pixel Number	NTSC:768 x 494 PAL: 752 x 582
Sync System	Internal
Resolution	540TV Lines
Back Light Compensation	Auto
Electronic Shutter	AUTO, 1/50(1/60)...1/100,000s.
Gain Control	Auto
Gamma	0.45
S/N Ratio	More than 48 dB
Video Output	1 Vpp, 75Ω
Minimum Illumination	0 Lux IR ON
IR LED	42 Units 5Ø 850nm infrared LED,10000hrs
IR Distance	30 metres
Lens	3.7...12mm auto iris lens
Storage Temperature	-30...+60°C
Power Supply	AC90V...AC260V (± 10%)
Dimensions (mm)	111H x 114W x 260D
Weight	1.7kg
Operating Temperature	-10°C...+45 °C
Indoor / Outdoor	IP 66

CAMERA



Features

IR range 40 metres
 540TVL resolution
 Water resistance IP66
 9-22mm auto iris lens w/exterior zoom/focus adjustment
 IR cut removal filter (ICR) built-in

YUC-7i23-40

Image Pick-Up Device	1/3" CCD image sensor
Pixel Number	NTSC:768 x 494 PAL: 752 x 582
Sync System	Internal
Resolution	540TV Lines
Back Light Compensation	Auto
Electronic Shutter	AUTO, 1/50(1/60)...1/100,000s.
Gain Control	Auto
Gamma	0.45
S/N Ratio	More than 48 dB
Video Output	1 Vpp, 75Ω
Minimum Illumination	0 Lux IR ON
IR LED	56 Units 5Ø 850nm infrared LED,10000hrs
IR Distance	40 metres
Lens	9...22mm auto iris lens
Storage Temperature	-30...+60°C
Power Supply	AC90V...AC260V (± 10%)
Dimensions	111H x 114W x 260D
Weight	1.7kg
Operating Temperature	-10°C...+45°C
Indoor / Outdoor	IP 66

Features

IR range 50 metres
 540TVL resolution
 Water resistance IP66
 9-22mm auto iris lens w/exterior zoom/focus adjustment
 IR cut removal filter (ICR) built-in

YUC-7i23-50

Image Pick-Up Device	1/3" CCD image sensor
Pixel Number	NTSC:768 x 494 PAL: 752 x 582
Sync System	Internal
Resolution	540TV Lines
Back Light Compensation	Auto
Electronic Shutter	AUTO, 1/50(1/60)...1/100,000s.
Gain Control	Auto
Gamma	0.45
S/N Ratio	More than 48 dB
Video Output	1 Vpp, 75Ω
Minimum Illumination	0 Lux IR ON
IR LED	7 Units E-power+ 21 Units 5Ø 850nm infrared LED 10000hrs
IR Distance	50 metres
Lens	9...22mm auto iris lens
Storage Temperature	-30...+60°C
Power Supply	AC90V...AC260V (± 10%)
Dimensions	111H x 114W x 260D
Weight	1.7kg
Operating Temperature	-10°C...+45°C
Indoor / Outdoor	IP 66

375° 23X EXVIEW DAY/NIGHT SPEED DOME

Features

- Day & night operation
- Sony Exview CCD with excellent picture performance
- 23X optical zoom, 10x digital zoom
- IR filter switching mechanism increase sensitivity
- Auto tracking & private mask (24 zone) function as option
- Infrared remote control included
- 375 degree non-continuous turn

Wall bracket shown is supplied



YSS-1523A-V
VANDAL PROOF

Image Pick-Up Device	1/4" Colour Sony EXVIEW CCD (Day & Night)
Sync System	Internal
Resolution	480TVL
Lens	Canon 23x zoom lens (10x digital zoom)
Back Light Compensation	Super BLC / 48 zone
Electronic Shutter	1/50 (1/60)...1/100,000s
IR Cut Filter	Auto / Manual
Focus	Auto / Manual
Gain Control	Super AGC 0...36dB
Gamma	0.45
S/N Ratio	50dB (AGC off)
White Balance	2500°...9500°K Preset / Manual
Video Output	BNC, 1Vp-p, 75Ω
Minimum Illumination	0.1Lux (colour) / 0.02Lux (B/W) / 0.002Lux (SU)
OSD Function	OSD Menu
Rotation mode	Auto Pan Feature / Preset Position Patrol / Auto-Flip
Rotation angle	Horizontal Pan 0...375° Vertical Tilt 0...95°
Rotation Speed	Horizontal Pan 400°/sec, Vertical Tilt 330°/sec
Speed Setting	Auto: 2.5...60°/sec (Variable), Manual: 2.5...160°/sec (Variable), Preset: Max.400°/sec
Stop times	5...255 Sec
Alarm	4 input / 1 output
Preset	128 points (62 on privacy masking & auto tracking models)
Control	Infrared Remote control + RS485 (Max 256 cameras)
Privacy Masking	Option (62 Preset Points)
Auto Tracking	Option (62 Preset Points)
Blower / Heater	Blower: ON 40°C OFF 30°C/ Heater: ON -5°C, OFF +5°C (for YSS-1523A-O)
Power	DC13.5V (2.0A) (PSU included)
Dimension (mm)	2100 X 266H (YSS-1523A-O) / 1860 X 142H (YSS-1523A-V) / 1430 X 123H (YSS-1523A-I)
Weight	3.55kgs (YSS-1523A-O) / 2.45kgs (YSS-1523A-V) / 0.8kgs (YSS-1523A-I)
Operating Temperature	-30°C...+60°C

CAMERA



YSS-1523A-O
OUTDOOR



YSS-1523A-I
INDOOR



YCK-02D
2D KEYPAD



YCK-03D
3D KEYPAD



YSS-485A



YSS-2348



YSS-IR485

ORDER INFORMATION

	Outdoor IP66	Vandal IP66	Indoor	Mask (24 zone)	Mask + Auto Tracking
YSS-1523A-O	■				
YSS-1523A-V		■			
YSS-1523A-I			■		
YSS-1523AM-O	■			■	
YSS-1523AM-V		■		■	
YSS-1523AM-I			■	■	
YSS-1523AS-O	■				■
YSS-1523AS-V		■			■
YSS-1523AS-I			■		■

Recommended Accessories

YCK-02D	2D keypad
YCK-03D	3D keypad
YSS-485A	485 signal amplifier
YSS-2348	232 signal converter
YSS-IR485	IR control for camera
YSS-01WM	Wall mount (for YSS1523A-V & 1523A-I)
YSS-01FM	Ceiling flush mount (for YSS 1523A-I)
YSS-1020-I	Pendant mount for (YSS1523-0)
YSS-1040-I	
CORNER	Corner mount (for YSS-153A-0)
SWAN NECK	Swan neck bracket (for YSS-1523-0)

360° Endless 23X EXVIEW DAY/NIGHT SPEED DOME

Features

- Day & night operation
- Sony Exview CCD with excellent picture performance
- 23X optical zoom, 10x digital zoom
- IR filter switching mechanism increase sensitivity
- Auto tracking & private mask (24 zone) function as option
- Infrared remote control included
- 360 degree continuous turn

Wall bracket shown is supplied

CAMERA



YSS-1523B-V
VANDAL PROOF



YSS-1523B-O
OUTDOOR

Image Pick-Up Device	1/4" Colour Sony EXVIEW CCD (Day & Night)
Sync System	Internal
Resolution	480TVL
Lens	Canon 23x zoom lens (10x digital zoom)
Back Light Compensation	Super BLC / 48 zone
Electronic Shutter	1/50 (1/60)...1/100,000s
IR Cut Filter	Auto / Manual
Focus	Auto / Manual
Gain Control	Super AGC 0...36dB
Gamma	0.45
S/N Ratio	50dB (AGC off)
White Balance	2500... 9500°K Preset / Manual
Video Output	BNC, 1Vp-p, 75Ω
Minimum Illumination	0.1Lux (colour) / 0.02Lux (B/W) / 0.002Lux (SU)
OSD Function	OSD Menu
Rotation mode	Auto Pan Feature / Preset Position Patrol / Auto-Flip
Rotation angle	Horizontal Pan 0...360° continuous, Vertical Tilt 0...95°
Rotation Speed	Horizontal Pan 400°/sec, Vertical Tilt 330°/sec
Speed Setting	Auto: 2.5...60°/sec (Variable), Manual: 2.5...160°/sec (Variable), Preset: Max.400°/sec
Stop times	5...255 Sec
Alarm	2 input / 1 output
Preset	128 points (62 on privacy masking & auto tracking models)
Control	Infrared Remote control + RS485 (Max 256 cameras)
Privacy Masking	Option (62 Preset Points)
Auto Tracking	Option (62 Preset Points)
Blower / Heater	Blower: ON 40°C, OFF 30°C / Heater: ON -5°C, OFF +5°C (for YSS-1523B-O)
Power	DC13.5V (2.0A) (PSU included)
Dimension	210Ø X 266H (YSS-1523B-O) / 186Ø X 142H (YSS-1523B-V)/Ø143 X 165H (YSS-1523B-I)
Weight	3.55kgs (YSS-1523B-O) / 2.45kgs (YSS-1523B-V) / 1.1kgs (YSS-1523B-I)
Operating Temperature	-30°C...+60°C



YSS-1523B-I
INDOOR



YCK-02D
2D KEYPAD



YCK-03D
3D KEYPAD



YSS-485A



YSS-2348



YSS-IR485

ORDER INFORMATION

	Outdoor IP66	Vandal IP66	Indoor	Mask (24 zone)	Mask + Auto Tracking
YSS-1523B-O	■				
YSS-1523B-V		■			
YSS-1523B-I			■		
YSS-1523BM-O	■			■	
YSS-1523BM-V		■		■	
YSS-1523BM-I			■	■	
YSS-1523BS-O	■				■
YSS-1523BS-V		■			■
YSS-1523BS-I			■		■

Recommended Accessories

YCK-02D	2D keypad
YCK-03D	3D keypad
YSS-485A	485 signal amplifier
YSS-2348	232 signal converter
YSS-IR485	IR control for camera
YSS-01WM	Wall mount (for YSS1523A-V & 1523A-I)
YSS-01FM	Ceiling flush mount (for YSS 1523A-I)
YSS-1020-I	Pendant mount for (YSS1523-0)
YSS-1040-I	
CORNER	Corner mount (for YSS-153A-0)
SWAN NECK	Swan neck bracket (for YSS-1523-0)

COLOUR SMOKE DETECTOR CAMERA MID-RES

Features

380TVL resolution
Covert smoke detector housing
Easy installation

YUC-DD64

Image Pick-Up Device	1/4" colour CCD
Pixel Number	NTSC: 512x492, PAL: 512x582
Sync System	Internal
Resolution	380TVL
Back Light Compensation	Auto
Electronic Shutter	1/50 (1/60)...1/100,000s
Gain Control	Auto
Gamma	0.45
S/N Ratio	More than 48dB (AGC off)
White Balance	Auto
Video Output	BNC, 1Vp-p, 75Ω
Minimum Illumination	1 Lux
Lens	3.7mm/F2.0
Power	DC12V (±10%)(80mA)
Dimension (mm)	125Ø x 67.59Ø x 52H
Weight	800g / 20pcs per carton
Operating Temperature	-10°C...+45°C



CAMERA

1/4"
COLOUR CCD

BOARD
Lens

CAMERA

1/3"
COLOR CCD

PIR

BOARD
Lens



MOTION SENSOR FLOODLIGHT COLOUR CAMERA Features

Halogen 150W lighting load capacity
140 degree PIR motion sensor wide view design
Time/lux/sensitivity adjustment by VR
1/3" colour CCD built-in

YUC-ML22

VR Adjustment

SENS: - / +
Sensitivity Setting
LUX: ☀ / ☾
Timing of Lighting
Time: - / +
Lighting Time

Motion Sensor Floodlight

Voltage Requirement	AC110V – 220V Switching Power
Lighting Load (Incandescent)	Max. 150W , J-Type 78mm
Detection Mode	PYRO-Sensor
Sensor Swivelling Angle	45° Vertical & Horizontal
Suitable Mounting	Wall Mount
Time Adjustment	4 Sec...12 Min., VR Adjustable
Lux Adjustment	Day...Night, VR Adjustable
Detection Range	5M...12M, 140° (20°C), VR Adjustable
Warm Up Time	30 Sec.

Colour CCD Camera

Image Pick-Up Device	1/3" colour CCD
Pixel Number	NTSC: 512x492, PAL: 512x582
Sync System	Internal
Resolution	380TVL
Back Light Compensation	Auto
Electronic Shutter	1/50 (1/60)...1/100,000s
Gain Control	Auto
Gamma	0.45
S/N Ratio	More than 48dB (AGC off)
Video Output	BNC, 1Vp-p, 75Ω
Minimum Illumination	0.5Lux
Lens	3.6mm board lens standard
Power	AC220V/110V
Weight	840g
Operation Temp	-20°C...+40°C

DVR SERIES PRODUCT COMPARISON TABLE H.264 / MPEG4

DVR

Series	HYBRID	H.264			MPEG4	MPEG4
Model number	YDS-04NA-V	YDS-16PC-V	YDS-08PC-V	YDS-04PC-V	YDS-04SA-V	YUC-04LM-19



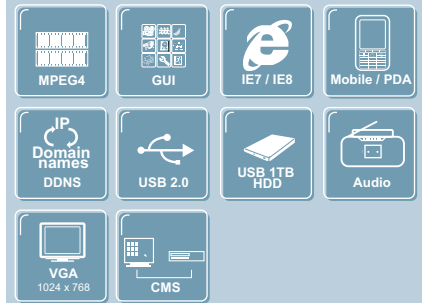
	H.264/MPEG4	H.264/MPEG4	H.264/MPEG4	H.264/MPEG4	MPEG4	MPEG4
Compression	H.264/MPEG4	H.264/MPEG4	H.264/MPEG4	H.264/MPEG4	MPEG4	MPEG4
Video in	4	16	8	4	4	4
IP cam Video in	4	--	--	--	--	--
Video out	1 BNC + 1 VGA	2 BNC + 1 S-VIDEO + 1 VGA	2 BNC + 1 S-VIDEO + 1 VGA	2 BNC + 1 S-VIDEO + 1 VGA	1 BNC + 1 VGA	BNC x 2
Looping	--	16	8	4	--	--
Resolution	CIF/Half D1/D1	CIF/Half D1/D1	CIF/Half D1/D1	CIF/Half D1/D1	CIF/Half D1	CIF/Half D1
Frame rate NTSC(PPS)	120/60/30	240/120/60	240/120/60	120/60/30	120/60	120FPS
Frame rate PAL(PPS)	100/50/25	200/100/50	200/100/50	100/50/25	100/50	100FPS
Audio in	1 + 4 (IP cam)	1	1	1	1	1
Audio out	1	1	1	1	1	1
Alarm in	4	16	8	4	4	--
Alarm out	1	1	1	1	1	--
CD/DVD	--	CD/DVD	CD/DVD	CD/DVD	--	--
Playback channel	4/1	16/13/9/4/1	9/4/1	4/1	4/1	4/1
Case	mini	2U	2U	1U	mini	--
Page	24	23	22	21	20	25

4CH MINI TRIPLEX MPEG4 DVR

Features

- Triplex operation (Record, Playback, Network at the same time)
- True MPEG4 compression
- Friendly graphic user interface (GUI)
- Backup device: USB and network remote
- Front panel / IR remote controller / mouse as control interface
- Central management software (CMS) provided
- Mobile view support WM5/WM6

DVR



MPEG4



MPEG4 SERIES

YDS-04SA-V

Mode	Triplex
Compression Format	MPEG4
Video Input	BNC x 4
Video Output	BNC (Monitor) x 1, VGA x 1
Video Looping	--
Digital Zoom	Yes
Display Resolution	NTSC: 720x480 / PAL: 720x576
Display Rate	NTSC: 120FPS / PAL: 100FPS
Audio Input	RCA x 1
Audio Output	RCA x 1
Recording Resolution	NTSC: 360x240 / 720x240, PAL: 360x288 / 720x288
Recording Rate	NTSC: 120PPS / 60PPS, PAL: 100PPS / 50PPS
Recording Mode	Manual / Alarm / Schedule Multisection
Auto Switching	Yes
Playback Search	Search selection by Date, Time, Event
I/O Port	RS-485 port (Pelco D, Pelco P, Dynacolor, Liliin)
Alarm	Alarm Input x 4, Alarm Output x 1(NO / NC / Relay)
Storage Media	Max. 1 SATA HDD Disk
Backup Device	USB 2.0 x 1
USB interface	1 x USB HDD (Max. 1TB) or pen drive (Max. 16GB), 1 x Mouse
Ethernet	Yes, MPEG4 network stream
Web Interface	IE Browser support TCP/IP, PPPoE, DHCP, DDNS
Security	Keylock and password (3 level) protection
Power Supply	DC12V / 4.16A (PSU included)
Dimension (mm)	44H x 218W x 202D
Weight / Packing	@2.4kgs / 5pcs per carton



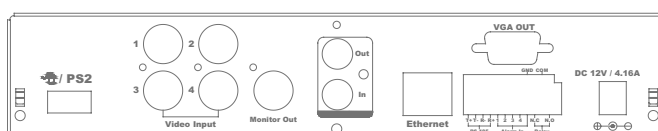
CMS



Internet Explorer



Mobile View



4CH PENTAPLEX NETWORK DVR

Features

- Pentaplex operation (Record, Playback, Network, Local Backup, Remote Backup at the same time)
- True H.264 compression (H.264 record, H.264/MPEG4/M-JPEG network stream)
- Up to D1 resolution
- Up to 4 users network control (live, playback, download & event search) independently
- Support network download and playback (indicated period) directly
- CD-RW, DVD±RW, USB and network remote as backup device
- Central management software (CMS) provided
- Mobile view support WM5/WM6/Symbian/JAVA/3GPP

DVR



H.264 MPEG4



STD SERIES

YDS-04PC-V

Mode	Pentaplex
Compression Format	H.264
Video Input	BNC x 4
Video Output	BNC Monitor x 2, S-Video x 1, VGA x 1
Video Looping	BNC x 4
Digital Zoom	Yes
Display Resolution	NTSC: 720x480 / PAL: 720x576
Display Rate	NTSC: 120FPS / PAL: 100FPS
Audio Input	RCA x 1 (Audio backup available)
Audio Output	RCA x 1
Recording Resolution	NTSC: 360x240 / 720x240 / 720x480, PAL: 360x288 / 720x288 / 720x576
Recording Rate	NTSC: 120PPS / 60PPS / 30PPS, PAL: 100PPS / 50PPS / 25PPS
Recording Mode	Manual / Alarm / Schedule Multisection
Auto Switching	Yes
Playback Search	Search selection by Date, Time, Event
I/O Port	RS-485 port (Pelco D, Pelco P, Dynacolor, Liliin)
Alarm	Alarm Input x 4, Alarm Output x 1 (NO / NC / Relay)
Storage Media	Max. 2 SATA HDD Disk
Backup Device	USB 2.0 x 1, CD-RW x 1 (DVD±RW as option)
USB interface	1 x USB HDD (Max. 1TB) or pen drive (Max. 16GB), 1 x Mouse
Ethernet	Yes, H.264/MPEG4/M-JPEG dual network stream
Web Interface	IE Browser support TCP/IP, PPPoE, DHCP, DDNS and 3GPP
Auto Time correction	NTP (network time protocol) & Daylight saving
Security	Keylock and password (3 level) protection
Power Supply	DC12V / 5A (PSU included)
Dimension (mm)	60H x 360W x 311D
Weight / Packing	@5kgs / 4pcs per carton



CMS



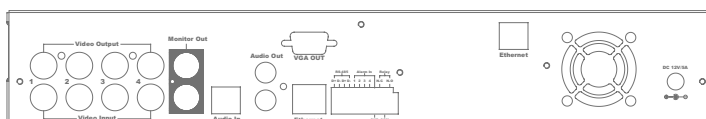
Internet Explore



Mobile View

ORDER INFORMATION

	CD-RW	DVD±RW
YDS-04PO-V		
YDS-04PC-V	■	
YDS-04PV-V		■



8CH PENTAPLEX NETWORK DVR

Features

- Pentaplex operation (Record, Playback, Network, Local Backup, Remote Backup at the same time)
- True H.264 compression (H.264 record, H.264/MPEG4/M-JPEG network stream)
- Up to D1 resolution
- Up to 4 users network control (live, playback, download & event search) independently
- Support network download and playback (indicated period) directly
- CD-RW, DVD±RW, USB and network remote as backup device
- Central management software (CMS) provided
- Mobile view support WM5/WM6/Symbian/JAVA/3GPP

DVR



H.264 MPEG4



STD SERIES

YDS-08PC-V

Mode	Pentaplex
Compression Format	H.264
Video Input	BNC x 8
Video Output	BNC (Monitor & Spot) x 2, S-Video x 1, VGA x 1
Video Looping	BNC x 8
Digital Zoom	Yes
Display Resolution	NTSC: 720x480 / PAL: 720x576
Display Rate	NTSC: 240FPS / PAL: 200FPS
Audio Input	RCA x 1 (Audio backup available)
Audio Output	RCA x 1
Recording Resolution	NTSC: 360x240 / 720x240 / 720x480, PAL: 360x288 / 720x288 / 720x576
Recording Rate	NTSC: 240PPS / 120PPS / 60PPS, PAL: 200PPS / 100PPS / 50PPS
Recording Mode	Manual / Alarm / Schedule Multisection
Auto Switching	Yes
Playback Search	Search selection by Date, Time, Event
I/O Port	RS-485 port (Pelco D, Pelco P, Dynacolor, Liliin), RS232
Alarm	Alarm Input x 8, Alarm Output x 1 (NO / NC / Relay)
Storage Media	Max. 2 SATA HDD Disk
Backup Device	USB 2.0 x 1, CD-RW x 1 (DVD±RW as option)
USB interface	1 x USB HDD (Max. 1TB) or pen drive (Max. 16GB), 1 x Mouse
Ethernet	Yes, H.264/MPEG4/M-JPEG dual network stream
Web Interface	IE Browser support TCP/IP, PPPoE, DHCP, DDNS and 3GPP
Auto Time correction	NTP (network time protocol) & Daylight saving
Security	Keylock and password (3 level) protection
Power Supply	AC90-260V Input (47-63Hz)
Dimension (mm)	88H x 430W x 382D
Weight / Packing	@8kgs / 2pcs per carton



CMS



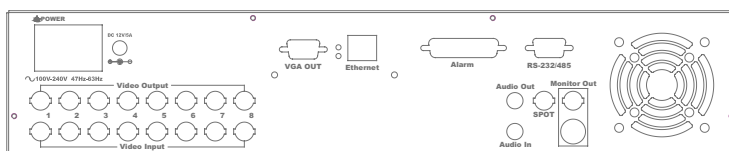
Internet Explore



Mobile View

ORDER INFORMATION

	CD-RW	DVD±RW
YDS-08PO-V		
YDS-08PC-V	■	
YDS-08PV-V		■



16CH PENTAPLEX NETWORK DVR

Features

- Pentaplex operation (Record, Playback, Network, Local Backup, Remote Backup at the same time)
- True H.264 compression (H.264 record, H.264/MPEG4/M-JPEG network stream)
- Up to D1 resolution
- Up to 4 users network control (live, playback, download & event search) independently
- Support network download and playback (indicated period) directly
- CD-RW, DVD±RW, USB and network remote as backup device
- Central management software (CMS) provided
- Mobile view support WM5/WM6/Symbian/JAVA/3GPP

DVR



H.264 MPEG4



STD SERIES

YDS-16PC-V

Mode	Pentaplex
Compression Format	H.264
Video Input	BNC x 16
Video Output	BNC (Monitor & Spot) x 2, S-Video x 1, VGA x 1
Video Looping	BNC x 16
Digital Zoom	Yes
Display Resolution	NTSC: 720x480 / PAL: 720x576
Display Rate	NTSC: 480FPS / PAL: 400FPS
Audio Input	RCA x 1 (Audio backup available)
Audio Output	RCA x 1
Recording Resolution	NTSC: 360x240 / 720x240 / 720x480, PAL: 360x288 / 720x288 / 720x576
Recording Rate	NTSC: 240PPS / 120PPS / 60PPS, PAL: 200PPS / 100PPS / 50PPS
Recording Mode	Manual / Alarm / Schedule Multisection
Auto Switching	Yes
Playback Search	Search selection by Date, Time, Event
I/O Port	RS-485 port (Pelco D, Pelco P, Dynacolor, Lilin), RS-232
Alarm	Alarm Input x 16, Alarm Output x 1 (NO / NC / Relay)
Storage Media	Max. 2 SATA HDD Disk
Backup Device	USB 2.0 x 1, CD-RW x 1 (DVD±RW as option)
USB interface	1 x USB HDD (Max. 1TB) or pen drive (Max. 16GB), 1 x Mouse
Ethernet	Yes, H.264/MPEG4/M-JPEG dual network stream
Web Interface	IE Browser support TCP/IP, PPPoE, DHCP, DDNS and 3GPP
Auto Time correction	NTP (network time protocol) & Daylight saving
Security	Keylock and password (3 level) protection
Power Supply	AC90-260V Input (47-63Hz)
Dimension (mm)	88H x 430W x 382D
Weight / Packing	@8kgs / 2pcs per carton



CMS



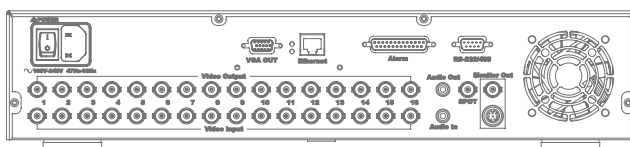
Internet Explorer



Mobile View

ORDER INFORMATION

	CD-RW	DVD±RW
YDS-16PO-V		
YDS-16PC-V	■	
YDS-16PV-V		■

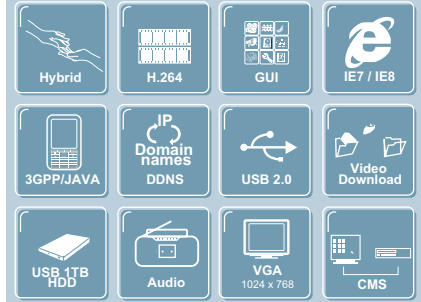


4CH PENTAPLEX HYBRID DVR

Features

- New Hybrid technology support both analog & IP cam recording
- Pentaplex operation (Record, Playback, Network, Local Backup, Remote Backup at the same time)
- True H.264 compression (H.264 record, H.264/MPEG4/M-JPEG network stream)
- Analog up to D1 resolution, IP cam up to mega resolution
- Up to 4 users network control (live, playback, download & event search) independently
- Supports network download and playback (indicated period) directly
- USB and network remote as backup device
- Central management software (CMS) provided
- Mobile view support WM5/WM6/Symbian/JAVA/3GPP

DVR



H.264 MPEG4



YDS-04NA-V

Mode	Pentaplex
Compression Format	H.264
Video Input	Analog x 4 or IP cam x 4 (Megapixel supported)
Max Input	4ch (analog + digital input)
Video Output	BNC (Monitor) x 1, VGA x 1
Video Looping	N/A
Digital Zoom	Yes
Display Resolution	NTSC: 720x480 / PAL: 720x576
Display Rate	NTSC: 480FPS / PAL: 400FPS
Audio Input	RCA x 1, IP cam x 4
Audio Output	RCA x 1
Recording Resolution	NTSC: 360x240 / 720x240 / 720x480, PAL: 360x288 / 720x288 / 720x576
Recording Rate	NTSC: 120PPS / 60PPS / 30PPS, PAL: 100PPS / 50PPS / 25PPS
Recording Mode	Manual / Alarm / Schedule Multisection
Auto Switching	Yes
Playback Search	Search selection by Date, Time, Event
I/O Port	RS-485 port (Pelco D, Pelco P, Dynacolour, Lilin)
Alarm	Alarm Input x 4, Alarm Output x 1 (NO / NC / Relay)
Storage Media	Max. 1 SATA HDD Disk
Backup Device	USB 2.0 x 1
USB interface	1 x USB HDD (Max. 1TB) or pen drive (Max. 16GB), 1 x Mouse
Ethernet	Yes, H.264/MPEG4/M-JPEG dual network stream
Web Interface	IE Browser support TCP/IP, PPPoE, DHCP, DDNS and 3GPP
Auto Time correction	NTP (network time protocol) & Daylight saving
Security	Keylock and password (3 level) protection
Power Supply	DC12V / 4.16A (PSU included)
Dimension (mm)	44H x 218W x 202D
Weight / Packing	@2.4kgs / 5pcs per carton

N SERIES



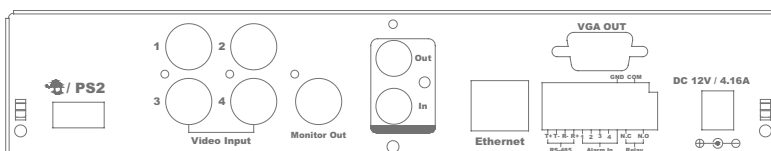
CMS



Internet Explorer



Mobile View

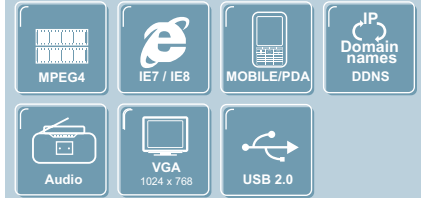


19" LCD COMBO DVR

Features

MPEG-4 compression 4CH DVR
 Real time recording at 100/120fps
 Triplex operation
 Optional PDA & mobile phone remote view

DVR



MPEG4

YUC-04LM-19

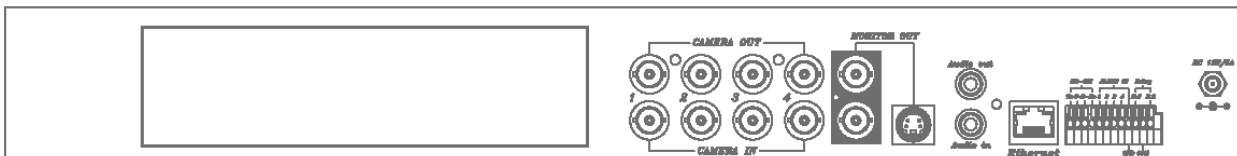
DVR

Mode	Triplex
Compression Format	MPEG-4
Video Input / Output	BNC x 4 / BNC x 2
Graphic OSD	Yes
Display Resolution	NTSC: 720x480 / PAL: 720x576
Display Rate	NTSC: 120FPS / PAL: 100FPS
Audio Input / Output	RCA x 1 / RCA x 1
Recording Rate	NTSC: 120FPS / PAL: 100FPS
Recording Resolution	NTSC: 720x240 / PAL: 720x288
Recording Mode	Manual / Alarm / Schedule
Mobile View	PDA / Mobile phone remote view
Playback Search	Search selection by Date, Time, Event list
I/O Port	RS-485 port (Pelco D, Pelco P, Dynacolor, Liliin)
Storage Media	1 x SATA HDD
Backup Device	1 x USB
Ethernet	Yes / MPEG-4 Compression
Web Interface	IE Browser w/DDNS supported
Security	Keylock and password (2 level) protection



19" LCD MONITOR





Resolution	1280H x 1024V
Contrast Ratio	500:1
Pixel Pitch (mm)	0.294H x 0.294V
Brightness	250 cd/m ²
Viewing Angle(H/V)	U/D:75°/75°, L/R:80°/80°
Response time	8 ms
Display area (mm)	376.32H x 301.056V
Composite Inputs	VGA x 1, S-Video x 1, RCA x 2, BNC x 2
Composite Output	BNC x 1, EAR phone x 1
Speaker	2.5W x 2
Power Supply	DC12V, 5A (PSU included)




IP CAMERA COMPARISON TABLE

H.264 / MPEG4 / JPEG

IP CAM

Model number	YUC-H696	YUC-W685RP	YUC-W695	YUC-W623
				
Camera Type	Fixed	Fixed	Fixed	Fixed
Compression	H.264/JPEG	MPEG4/JPEG	MPEG4/JPEG	MPEG4/JPEG
Max. resolution	2 MegaPixel (1600x1200)	1.3 MegaPixel (1280x960)	1.3 MegaPixel (1280x1024)	NTSC: 720x480 PAL: 720x576
Frame Rate	Up to 15/15	Up to 25/30	Up to 25/30	Up to 25/30
Image Device	1/3" Micro CMOS	1/3" SONY CCD	1/4" CMOS	1/3" CCD
Lens	CS mount (DC Driver)	CS mount (DC Driver)	CS mount	CS mount (DC Driver)
PTZ Control	RS485	RS485	RS485	RS485
Day & Night	ICR Optional	ICR built-in	Software	ICR Optional
IR LED	N/A	N/A	N/A	N/A
Motion Detection	Yes	Yes	Yes	Yes
Horizontal Res.	N/A	540TVL	N/A	540TVL
Streaming	Dual streaming	Dual streaming	Dual streaming	Dual streaming
Audio	Microphone built-in (2-WAY audio)	Microphone built-in (2-WAY audio)	Microphone built-in (2-WAY audio)	Microphone built-in (2-WAY audio)
Outdoor IP66	N/A	N/A	N/A	N/A
Alarm input/output	1 x in / 1 x Relay out	1 x in / 1 x Relay out	1 x in / 1 x Relay out	1 x in / 1 x Relay out
SD Card backup	Yes	No	Yes	Yes
Wireless	Optional	Optional	Optional	Optional
POE	Optional	Optional	Optional	Optional
Page	28	31	32	33

Model number	YUC-Hi96R	YUC-HO96R	YUC-Wi95-312	YUC-WO95-312	YUC-Wi23-312
					
Camera Type	Fixed	Fixed	Fixed	Fixed	Fixed
Compression	H.264/JPEG	H.264/JPEG	MPEG4/JPEG	MPEG4/JPEG	MPEG4/JPEG
Max. resolution	2 MegaPixel (1600x1200)	2 MegaPixel (1600x1200)	1.3 MegaPixel (1280x1024)	1.3 MegaPixel (1280x1024)	NTSC: 720x480 PAL: 720x576
Frame Rate	Up to 15/15	Up to 15/15	Up to 25/30	Up to 25/30	Up to 25/30
Image Device	1/3" Micro CMOS	1/3" Micro CMOS	1/4" CMOS	1/4" CMOS	1/3" CCD
Lens	3.7-12mm varifocal lens	3.7-12mm varifocal lens	3.7-12mm varifocal lens	3.7-12mm varifocal lens	3.7-12mm varifocal lens
PTZ Control	N/A	N/A	N/A	N/A	N/A
Day & Night	ICR built-in	Software	ICR built-in	Software	ICR built-in
IR LED	15M	N/A	15M	N/A	15M
Motion Detection	Yes	Yes	Yes	Yes	Yes
Horizontal Res.	N/A	N/A	N/A	N/A	540TVL
Streaming	Dual streaming	Dual streaming	Dual streaming	Dual streaming	Dual streaming
Audio	1 in / 1 out (2-WAY audio)	1 in / 1 out (2-WAY audio)	1 in / 1 out (2-WAY audio)	1 in / 1 out (2-WAY audio)	1 in / 1 out (2-WAY audio)
Outdoor IP66	Yes	Yes	Yes	Yes	Yes
Alarm input/output	1 x in / 1 x Relay out	1 x in / 1 x Relay out	1 x in / 1 x Relay out	1 x in / 1 x Relay out	1 x in / 1 x Relay out
SD Card backup	Yes	Yes	Yes	Yes	Yes
Wireless	N/A	N/A	N/A	N/A	N/A
POE	Optional	Optional	Optional	Optional	Optional
Page	29	29	34	34	35

IP CAMERA COMPARISON TABLE

H.264 / MPEG4 / JPEG

IP CAM

Model number	YUC-WM95-312	YUC-WM94	YUC-WG23	YUC-W763R	YSS-1523A-OIP
					
Camera Type	Fixed	Fixed	Fixed	Fixed	360PTZ
Compression	MPEG4/JPEG	MPEG4/JPEG	MPEG4/JPEG	MPEG4/JPEG	MPEG4/JPEG
Max. resolution	1.3 MegaPixel (1280x1024)	640x480	NTSC: 720x480 PAL: 720x576	NTSC: 720x480 PAL: 720x576	NTSC: 720x480 PAL: 720x576
Frame Rate	Up to 25/30	Up to 25/30	Up to 25/30	Up to 25/30	Up to 25/30
Image Device	1/4" CMOS	1/4" CMOS	1/3" CCD	1/3" CCD	1/4" Exview HAD (Day&Night)
Lens	3.7-12mm varifocal lens	4mm board lens	12mm board lens	9-22mm / 3.7-12mm varifocal lens	23x optical zoom 10x digital zoom
PTZ Control	N/A	N/A	RS485	N/A	Built-in P/T/Z
Day & Night	Software	Software	N/A	ICR built-in	ICR built-in
IR LED	N/A	N/A	35M	30M / 40M / 50M	N/A
Motion Detection	Yes	Yes	Yes	Yes	Yes
Horizontal Res.	N/A	N/A	540TVL	540TVL	480TVL
Streaming	Dual streaming	Dual streaming	Dual streaming	Dual streaming	Dual streaming
Audio	N/A	N/A	1 in / 1 out (2-WAY audio)	1 in / 1 out (2-WAY audio)	N/A
Outdoor IP66	N/A	N/A	Yes	Yes	Yes
Alarm input/output	N/A	N/A	1 x in / 1 x Relay out	1 x in / 1 x Relay out	2 x in / 2 x GPIO out
SD Card backup	Yes	Yes	Yes	N/A	Yes
Wireless	N/A	N/A	N/A	Optional	Optional
POE	Optional	Optional	N/A	N/A	N/A
Page	36	36	35	37	30

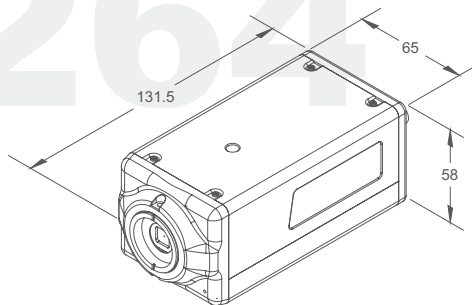
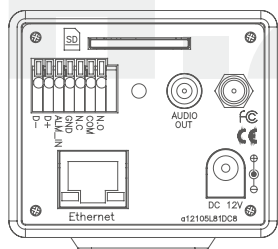
Model number	YWS-01D	YWS-01S
		
Video In	1 x BNC	1 x BNC
Video Out	1 X Looping or video out	1 X Looping
Compression	MPEG4/JPEG	MPEG4/JPEG
Max. resolution	720x480 NTSC 720x576 PAL	720x480 NTSC 720x576 PAL
Frame Rate	Up to 25/30	Up to 25/30
PTZ Control	RS485	RS485
Motion Detection	Yes	Yes
Streaming	Dual streaming	Dual streaming
Audio	1 in / 1 out / (2-WAY audio)	1 in / 1 out / (2-WAY audio)
Alarm input/output	2 x in / 2 x GPIO out	1 x in / 1 x Relay out
I/O Connectors	RS485	RS485, RS232
SD Card backup	Yes	Yes
Wireless	Optional	Optional
Decoder	Yes, 1CH	N/A
Dimension	42H x 133W x 107D	42H x 133 W x 107D
Page	38	38

H.264 IP 2 MEGA PIXEL CMOS CAMERA

Features

- 2 Mega pixel (1600 x 1200) resolution with excellent picture performance
- H.264/JPEG dual stream
- SD card for recording during alarm trigger & network outage
- IR cut removal filter (ICR) built-in
- 2-way audio
- Wire or wireless (option)
- Mobile view support WM5/MM6/Symbian/JAVA/3GPP
- POE (Power over Ethernet) for option

Lens supplied separately on all box cameras



- Mega pixel
- H.264
- SD
- 2-Way Audio
- 3GPP / JAVA
- IP Domain names DDNS
- POE option
- WiFi option
- ICR option

YUC-H696

Max Resolution	2 Mega pixel (1600 x 1200), SXGA, Quad VGA, SVGA, VGA, CIF, QCIF
Video Adjustment	Image setting, video streaming setting
Frame Rate	NTSC: 15FPS / PAL: 15FPS
Network Interface	Ethernet (10/100 Base-T) ; wireless 802.11g/b (option)
Video Compression	Dual stream: H.264 / JPEG selection
Audio Comperssion	2-way
Pre / Post Alarm	Yes, configurable
SD card	AVI video format (remote access & download)
Hardware	RJ-45 (Ethernet), RS485
Alarm I/O	1 x in / 1 x relay out
Video Input / Output	1 x video out
Audio Input / Output	1 x microphone, 1 x audio out
Performance	Max. 10 connections for signal video
Event trigger / Action	Schedule I/O & motion detection, sent AVI files to FTP, E-MAIL or SD card
Protocols	TCP/IP, HTTP, FTP, SMTP, DDNS, PPPoE, DHCP, NTP, UPnP, 3GPP
IP assignment	DHCP, PPPoE or Static IP
System Requirement	Microsoft IE7 / IE8 or above
Security	2 layers password protection
Image Pick-up Device	1/3" Micron CMOS
Back Light Compensation	Auto
Electronic Shutter	1/50 (1/60)...1/100,000s
Gain Control	Auto
Gamma	0.45
S/N Ratio	48dB (AGC off)
Video Output	BNC, 1Vp-p, 75Ω
Minimum Illumination	0.1 Lux @ F1.2
Lens	CS mount (DC driver supported)
Power over Ethernet	POE (IEEE 802.3af) for option
Power	LAN: DC12V (max. 6W) ; WLAN: DC12V (max. 7W) (PSU included)
Dimension (mm) / Weight	58H x 65W x 130D / @400g / 12pcs per carton
Operating Temperature	-10°C...+45°C

H.264



NORMAL SCENE



MEGA PIXEL SCENE

ORDER INFORMATION

	Wire	ICR	POE	Wireless
YUC-H696	■	■		
YUC-H696P			■	
YUC-H696RP	■	■	■	
YUC-H696W				■

H.264 IP 2 MEGA PIXEL 3-AXIS VANDAL DOME

Features

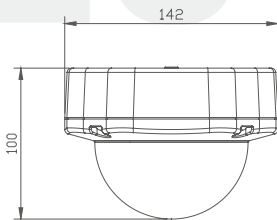
- 2 Mega pixel (1600 x 1200) resolution with excellent picture performance
- H.264/JPEG dual stream
- 3-axis structure
- IR cut removal filter (ICR) built-in for option
- 3.7-12mm auto iris lens
- SD card for recording during alarm trigger & network outage
- 2-way audio
- Mobile view support WM5/MM6/Symbian/JAVA/3GPP
- POE (Power over Ethernet) for option

H.264



YUK-D05

Vandal Dome Wall Mount (Optional)



H.264

- Mega pixel
- H.264
- SD
- 2-Way Audio
- 3GPP / JAVA
- IP Domain names DDNS
- POE option
- WiFi option
- IP66
- Vari-focal
- Vandal Proof
- 3-AXIS
- ICR**

YUC-H096R/YUC-HI96R

Max Resolution	2 Mega pixel (1600 x 1200), SXGA, Quad VGA, SVGA, VGA, CIF, QCIF
Video Adjustment	Image setting, video streaming setting
Frame Rate	NTSC: 15FPS / PAL: 15FPS
Network Interface	Ethernet (10/100 Base-T)
Video Compression	Dual stream channel: H.264 / JPEG selection
Audio Comperssion	2-way
Pre / Post Alarm	Yes, configurable
SD card	AVI video format (remote access & download)
Hardware	RJ-45 (Ethernet)
Alarm I/O	1 x in / 1 x relay out
Video Input / Output	1 x video out
Audio Input / Output	1 x microphone, 1 x audio out
Performance	Max. 10 connections for signal video
Event trigger / Action	Schedule I/O & motion detection, sent AVI files to FTP, E-MAIL or SD card
Protocols	TCP/IP, HTTP, FTP, SMTP, DDNS, PPPoE, DHCP, NTP, UPnP, 3GPP
IP assignment	DHCP, PPPoE or Static IP
System Requirement	Microsoft IE7 / IE8 or above
Security	2 layers password protection
Image Pick-up Device	1/3" Micron CMOS
Back Light Compensation	Auto
Electronic Shutter	1/50 (1/60)...1/100,000s
Gain Control	Auto
Gamma	0.45
S/N Ratio	48dB (AGC off)
Video Output	BNC, 1Vp-p, 75Ω
Minimum Illumination	0.1 Lux @ F1.2
Lens	3.7...12mm manual iris lens
Power over Ethernet	POE (IEEE 802.3af) for option
Power	LAN: DC12V (max. 6W) (PSU included)
Dimension (mm) / Weight	142H x 142W x 100D / @1,000g / 12pcs per carton
Operating Temperature	-10°C...+45°C
Waterproof	IP66



NORMAL SCENE



MEGA PIXEL SCENE

ORDER INFORMATION

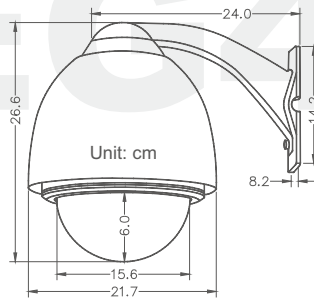
	IR	ICR	POE
YUC-H096R		■	
YUC-H096RP		■	■
YUC-HI96R	■	■	
YUC-HI96RP	■	■	■

MPEG4 EXVIEW DAY/NIGHT IP SPEED DOME

Features

- MPEG4 / JPEG Dual stream
- Full D1 resolution at 30/25FPS
- IR cut removal filter (ICR) built-in
- 23x optical zoom, 10x digital zoom
- SD card for recording during alarm trigger & network outage
- Wire or wireless (option)
- Mobile view for WM5 / WM6 phone & PDA / 3GPP
- IR remote controller full access
- IR receiver wire extendable

Wall bracket shown is supplied



IP CAM



MPEG4

YSS-1523A-OIP / YSS-1523B-OIP

Max Resolution	Full D1 (NTSC: 720 x 480 / PAL: 720 x 576), CIF, QCIF, 4CIF
Video Adjustment	Image setting, video streaming setting
Frame Rate	NTSC: 30FPS / PAL: 25FPS
Video Compression	Dual stream: MPEG-4 / JPEG
Pre / Post Alarm	Yes, configurable
Network Interface	Ethernet (10/100 Base-T) ; wireless 802.11g/b (option)
SD card	AVI video format (remote access) & download - option
Hardware	RJ-45 (Ethernet), RS485
Performance	Max. 10 connections for signal video
Event Trigger/Action	Schedule I/O & motion detection, sent AVI files to FTP, E-MAIL or SD card
Protocols	TCP/IP, HTTP, FTP, SMTP, DDNS, PPPoE, DHCP, NTP, UPnP, 3GPP
IP assignment	DHCP, PPPoE or Static IP
System Requirement	Microsoft IE7 / IE8 or above
Security	2 layers password protection
Image Pick-Up Device	1/4" Colour Sony EXVIEW CCD
Resolution	480TVL
Lens	23x zoom lens (10x digital zoom)
Video Control	AGC, BLC, AES, white balance
IR Cut Filter	Auto / Manual
Gamma	0.45
S/N Ratio	50dB (AGC off)
Video Output	1Vp-p
Minimum Illumination	0.1Lux (colour) / 0.02Lux (B/W) / 0.002Lux (SU)
OSD Function	OSD Menu
Rotation angle	YSS-1523A-OIP=Horizontal Pan 0°...375°, Vertical Tilt 0°C... 95° YSS-1523B-OIP=Horizontal Pan 0°...360° continuous, Vertical Tilt 0°... 95°
Rotation Speed	Horizontal Pan 400°C/sec, Vertical Tilt 330°C/sec
Alarm	YSS-1523A-OIP= 4 input / 1 output YSS-1523B-OIP= 2 input / 1 output
Preset	128 points
Control	Infrared remote control + RS485 (max. 256 cameras)
Blower / Heater	Yes
Power	DC13.5V (2.0A) (PSU included)
Dimension (mm)	210Ø X 266H
Weight	3.55Kgs / 2pcs per carton

ORDER INFORMATION

	Wire	Wireless
YSS-1S23A-OIP	■	
YSS-123AW-OIP		■
YSS-123B-OIP	■	
YSS-123BW-OIP		■



YCK-02D
2D KEYPAD



YCK-03D
3D KEYPAD



YSS-485A



YSS-2348



YSS-IR485

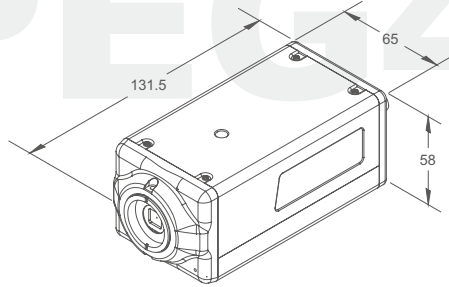
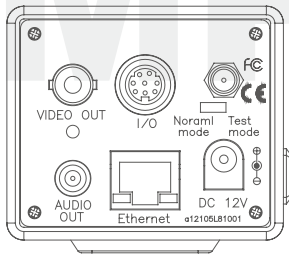
Recommended Accessories

YCK-02D	2D keypad
YCK-03D	3D keypad
YSS-485A	485 signal amplifier
YSS-2348	232 signal converter
YSS-IR485	IR control for camera
YSS-01WM	Wall mount (for YSS1523A-V & 1523A-1)
YSS-01FM	Ceiling flush mount (for YSS 1523A-1)
YSS-1020-I	Pendant mount for (YSS1523-0)
YSS-1040-I	Pendant mount for (YSS1523-0)

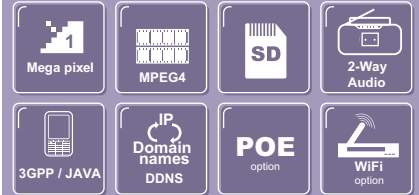
MPEG4 IP 1.2 MEGA PIXEL CCD CAMERA

Features

- 1.2 Mega pixel CCD (1280 x 960) with higher picture performance
- MPEG4/JPEG dual stream
- IR cut removal filter (ICR) built-in
- Schedule I/O & motion detection, sent AVI files to FTP, E-MAIL or SD card
- 2-way audio
- Wire or wireless (option)
- Mobile view support WM5/WM6/Symbian/JAVA/3GPP
- Built-in POE (Power over Ethernet)



IP CAM



ICR

YUC-W685RP

Max Resolution	JPEG: Mega pixel (1280x960 Quad VGA), VGA MPEG4: VGA, CIF, QCIF
Video Adjustment	Image setting, video streaming setting
Frame Rate	NTSC: 30FPS / PAL: 25FPS
Network Interface	Ethernet (10/100 Base-T) ; wireless 802.11g/b (option)
Video Compression	Dual stream: MPEG4 / JPEG
Audio Compression	2-way
Pre / Post Alarm	Yes, configurable
Hardware	RJ-45 (Ethernet)
Alarm I/O	1 x in / 1 x relay out
Video Input / Output	1 x video out
Audio Input / Output	1 x microphone, 1 x audio out
Performance	Max. 10 connections for signal video
Event trigger / Action	Schedule I/O & motion detection, sent AVI files to FTP, E-MAIL or SD card
Protocols	TCP/IP, HTTP, FTP, SMTP, DDNS, PPPoE, DHCP, NTP, UPnP, 3GPP
IP assignment	DHCP, PPPoE or Static IP
System Requirement	Microsoft IE7 / IE8 or above
Security	2 layers password protection
Image Pick-up Device	1/3" Sony CCD
Resolution	540TVL
Back Light Compensation	Auto
Electronic Shutter	1/50 (1/60)...1/100,000s
Gain Control	Auto
Gamma	0.45
S/N Ratio	48dB (AGC off)
Video Output	BNC, 1Vp-p, 75Ω
Minimum Illumination	0.1 Lux @ F1.2
Lens	CS mount(DC driver supported)
IR Cut Removal Filter (ICR)	Built-in
Power over Ethernet	POE (IEEE 802.3af)
Power	LAN: DC12V (max. 6W) ; WLAN: DC12V (max. 7W) (PSU included)
Dimension (mm) / Weight	58H x 65W x 130D / @400g / 12pcs per carton
Operating Temperature	-10°C...+45°C

MPEG4



NORMAL SCENE



MEGA PIXEL SCENE

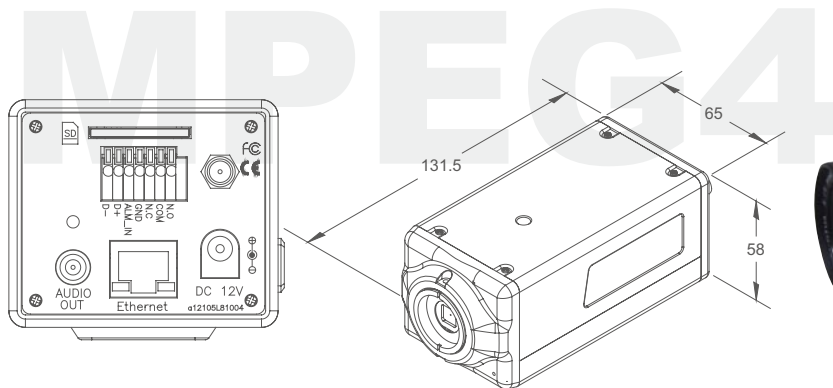
ORDER INFORMATION

	Wire	Wireless	POE	ICR
YUC-W685RP	■		■	■
YUC-W685RW		■		■

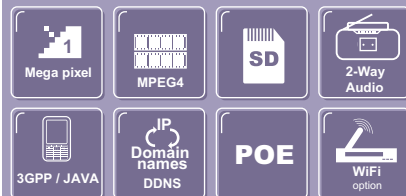
MPEG4 IP 1.3 MEGA PIXEL CMOS CAMERA

Features

- 1.3 Mega pixel (1280 x 1024) resolution with excellent picture performance
- MPEG4/JPEG dual stream
- SD card for recording during alarm trigger & network outage
- 2-way audio
- Wire or wireless (option)
- Mobile view support WM5/WM6/Symbian/JAVA/3GPP
- POE (Power over Ethernet) for option



IP CAM



YUC-W695

Max Resolution	Mega pixel (1280x1024 SXGA), VGA, CIF, QCIF
Video Adjustment	Image setting, video streaming setting
Frame Rate	NTSC: 30FPS / PAL: 25FPS
Network Interface	Ethernet (10/100 Base-T) ; wireless 802.11g/b (option)
Video Compression	Dual stream: MPEG4 / JPEG
Audio Compression	2-way
Pre / Post Alarm	Yes, configurable
SD card	AVI video format (remote access & download)
Hardware	RJ-45 (Ethernet)
Alarm I/O	1 x in / 1 x relay out
Audio Input / Output	1 x microphone, 1 x audio out
Performance	Max. 10 connections for signal video
Event trigger / Action	Schedule I/O & motion detection, sent AVI files to FTP, E-MAIL or SD card
Protocols	TCP/IP, HTTP, FTP, SMTP, DDNS, PPPoE, DHCP, NTP, UPnP, 3GPP
IP assignment	DHCP, PPPoE or Static IP
System Requirement	Microsoft IE7 / IE8 or above
Security	2 layers password protection
Image Pick-up Device	1/4" CMOS
Back Light Compensation	Auto
Electronic Shutter	1/50 (1/60)...1/100,000s
Gain Control	Auto
Gamma	0.45
S/N Ratio	48dB (AGC off)
Minimum Illumination	0.1 Lux @ F1.2
Lens	CS mount W/4.0mm lens
Power over Ethernet	POE (IEEE 802.3af) for option
Power	LAN: DC12V (max. 6W) ; WLAN: DC12V (max. 7W) (PSU included)
Dimension (mm) / Weight	58H x 65W x 130D / @400g / 12pcs per carton
Operating Temperature	-10°C...+45°C

MPEG4



NORMAL SCENE



MEGA PIXEL SCENE

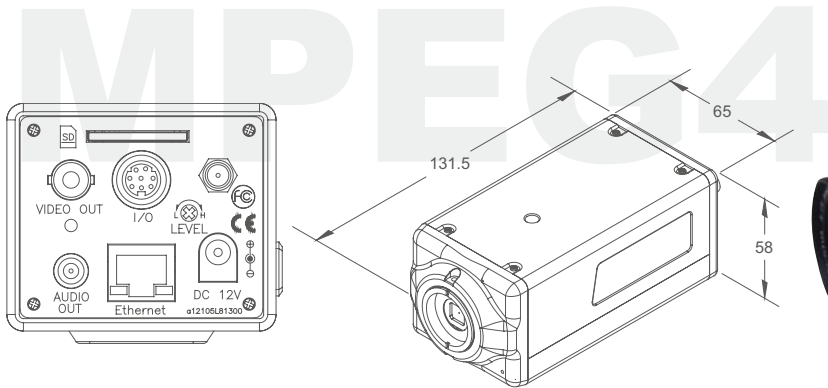
ORDER INFORMATION

	Wire	Wireless	POE
YUC-W695	■		
YUC-W695P	■		■
YUC-W695W		■	

MPEG4 IP CCD HI-RES CAMERA

Features

- Full D1 resolution at 30/25FPS
- MPEG4/JPEG dual stream
- IR cut removal filter (ICR) built-in for option
- SD card for recording during alarm trigger & network outage
- 2-way audio
- Wire or wireless (option)
- Mobile view support WM5/WM6/Symbian/JAVA/3GPP
- POE (Power over Ethernet) for option



IP CAM

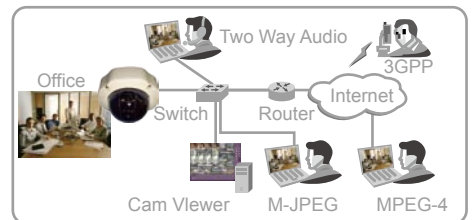
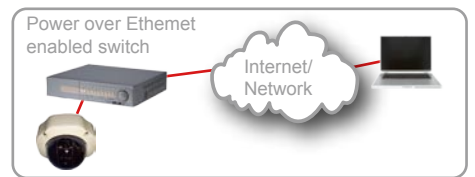
- 1/3" COLOUR CCD
- MPEG4
- SD
- 2-Way Audio
- 3GPP / JAVA
- IP Domain names DDNS
- POE option
- WiFi option

ICR

MPEG4

YUC-W623

Max Resolution	Full D1 (NTSC: 720 x 480 / PAL: 720 x 576), CIF, QCIF, 4CIF
Video Adjustment	Image setting, video streaming setting
Frame Rate	NTSC: 30FPS / PAL: 25FPS
Network Interface	Ethernet (10/100 Base-T) ; wireless 802.11g/b (option)
Video Compression	Dual stream: MPEG4 / JPEG
Audio Compression	2-way
Pre / Post Alarm	Yes, configurable
SD card	AVI video format (remote access & download)
Hardware	RJ-45 (Ethernet)
Alarm I/O	1 x in / 1 x relay out
Video Input / Output	1 x video out
Audio Input / Output	1 x microphone, 1 x audio out
Performance	Max. 10 connections for signal video
Event trigger / Action	Schedule I/O & motion detection, sent AVI files to FTP, E-MAIL or SD card
Protocols	TCP/IP, HTTP, FTP, SMTP, DDNS, PPPoE, DHCP, NTP, UPnP, 3GPP
IP assignment	DHCP, PPPoE or Static IP
System Requirement	Microsoft IE7 / IE8 or above
Security	2 layers password protection
Image Pick-up Device	1/3" colour Sony CCD
Resolution	540TVL
Back Light Compensation	Auto
Electronic Shutter	1/50 (1/60)...1/100,000s
Gain Control	Auto
Gamma	0.45
S/N Ratio	48dB (AGC off)
Video Output	BNC, 1Vp-p, 75Ω
Minimum Illumination	0.1 Lux @ F1.2
Lens	CS mount (DC driver supported)
IR Cut Removal Filter (ICR)	option
Power over Ethernet	POE (IEEE 802.3af) for option
Power	LAN: DC12V (max. 6W) ; WLAN: DC12V (max. 7W) (PSU included)
Dimension (mm) / Weight	58H x 65W x 130D / @400g / 12pcs per carton
Operating Temperature	-10°C...+45°C



ORDER INFORMATION

	Wire	Wireless	POE	ICR
YUC-W623	■			
YUC-W623P	■		■	
YUC-W623W		■		
YUC-W623RP	■		■	■

MPEG4 MEGA PIXEL IR VANDAL DOME

Features

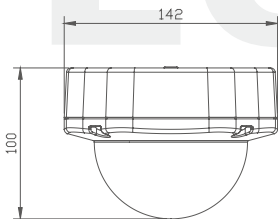
- 1.3 Mega pixel (1280 x 1024) resolution with excellent picture performance
- MPEG4/JPEG dual stream
- 3-axis structure
- IR cut removal filter (ICR) built-in (YUC-WI95-312)
- 3.7-12mm auto iris lens
- SD card for recording during alarm trigger & network outage
- 2-way audio
- Mobile view support WM5/MM6/Symbian/JAVA/3GPP
- POE (Power over Ethernet) for option

MPEG4



YUC-D05

Vandal Dome Wall Mount (Optional)



YUC-WO95-312

YUC-Wi95-312 / YUC-WO95-312

Model no.	YUC-Wi95-312	YUC-WO95-312
Max Resolution	Mega pixel (1280x1024 SXGA), VGA, CIF, QCIF	
Video Adjustment	Image setting, video streaming setting	
Frame Rate	NTSC: 30FPS / PAL: 25FPS	
Network Interface	Ethernet (10/100 Base-T)	
Video Compression	Dual stream: MPEG4 / JPEG	
Audio Compression	2-way	
Pre / Post Alarm	Yes, configurable	
SD card	AVI video format (remote access & download)	
Hardware	RJ-45 (Ethernet)	
Alarm I/O	1 x in / 1 x relay out	
Audio Input / Output	1 x audio in / 1 x audio out	
Performance	Max. 10 connections for signal video	
Event trigger / Action	Schedule I/O & motion detection, sent AVI files to FTP, E-MAIL or SD card	
Protocols	TCP/IP, HTTP, FTP, SMTP, DDNS, PPPoE, DHCP, NTP, UPnP, 3GPP	
IP assignment	DHCP, PPPoE or Static IP	
System Requirement	Microsoft IE7 / IE8 or above	
Security	2 layers password protection	
Image Pick-up Device	1/4" CMOS	
Back Light Compensation	Auto	
Electronic Shutter	1/50 (1/60)...1/100,000s	
Gain Control	Auto	
Gamma	0.45	
S/N Ratio	48dB (AGC off)	
Minimum Illumination	0.1 Lux @ F1.2 or 0 Lux @ IR on	
IR LED / Range	12 units IR LED for 12 metres	N/A
Lens	3.7...12mm manual iris lens	
IR Cut Removal Filter (ICR)	Built-in	N/A
Power over Ethernet	POE (IEEE 802.3af) for option	
Power	LAN: DC12V (max. 6W) ; WLAN: DC12V (max. 7W)	
Dimension (mm) / Weight	142H x 142W x 100D / @1,000g / 12pcs per carton	
Operating Temperature	-10°C...+45°C	
Waterproof	IP66	

IP CAM



YUC-Wi95-312

MPEG4



NORMAL SCENE



MEGA PIXEL SCENE

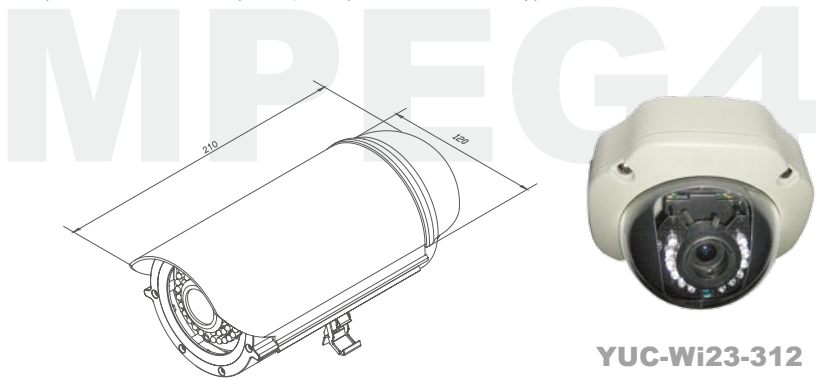
ORDER INFORMATION

	POE	IR
YUC-Wi95-312		■
YUC-Wi95-12P	■	■
YUC-WO95-312		
YUC-WO95-312P	■	

MPEG4 CCD OUTDOOR IR CAMERA

Features

- Full D1 resolution at 30/25FPS
- MPEG4/JPEG dual stream
- SD card for recording during alarm trigger & network outage
- 2-way audio
- Mobile view support WM5/WM6/Symbian/JAVA/3GPP
- Outdoor with IR for range 35 metres (YUC-WG23 only)
- IR cut filter (ICR) built-in (YUC-Wi23-312 only)
- 3.7-12mm auto iris lens (YUC-Wi23-312 only)
- 3-axis structure (YUC-Wi23-312 only)
- POE (Power over Ethernet) for option (YUC-Wi23-312 only)

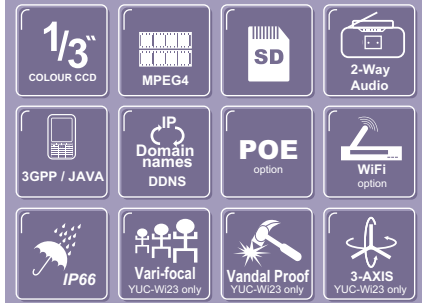


YUC-Wi23-312



YUC-WG23

MPEG4



YUC-Wi23-312R / YUC-WG23

Model no.	YUC-Wi23	YUC-WG23
Max Resolution	Full D1 (NTSC: 720 x 480 / PAL: 720 x 576), CIF, QCIF, 4CIF	
Video Adjustment	Image setting, video streaming setting	
Frame Rate	NTSC: 30FPS / PAL: 25FPS	
Network Interface	Ethernet (10/100 Base-T)	
Video Compression	Dual stream: MPEG4 / JPEG	
Audio Compression	2-WAY	
Pre / Post Alarm	Yes, configurable	
SD card	AVI video format (remote access & download)	
Hardware	RJ-45 (Ethernet)	RJ-45 (Ethernet), RS485
Alarm I/O	1 x in / 1 x Relay out	
Video Input / Output	---	1 x video out
Audio Input / Output	1 x audio in / 1 x audio out	
Performance	Max. 10 connections for signal video	
Event trigger / Action	Schedule I/O & motion detection, sent AVI files to FTP, E-MAIL or SD card	
Protocols	TCP/IP, HTTP, FTP, SMTP, DDNS, PPPoE, DHCP, NTP, UPnP, 3GPP	
IP assignment	DHCP, PPPoE or Static IP	
System Requirement	Microsoft IE7 / IE8 or above	
Security	2 layers password protection	
Image Pick-up Device	1/3" Colour CCD	
Resolution	540TVL	
Back Light Compensation	Auto	
Electronic Shutter	1/50 (1/60)...1/100,000s	
Gain Control	Auto	
Gamma	0.45	
S/N Ratio	48dB (AGC off)	
Video Output	BNC, 1Vp-p, 75Ω	
IR LED / Range	12 units IR LED for 12 metres	56 units IR LED for 35 metres
Minimum Illumination	0 Lux @ IR	
Lens	3.7...12mm auto iris lens	12mm board lens standard
IR Cut Filter (ICR)	Built-in	---
Power over Ethernet	POE (IEEE 802.3af) for option	---
Power	LAN: DC12V (max. 6W) ; WLAN: DC12V (max. 7W) (PSU included)	AC110...240V, 47-63Hz
Dimension (mm) / Weight	142H x 142W x 100D / @1,000g / 12pcs per carton	120(H)x115(W)x275(D)mm / @1,200g / 10pcs per carton
Operating Temperature	-10°C...+45°C	
Waterproof	IP66	



YUK-D05

Vandal Dome Wall Mount (Optional)



YUK-WGI

(Optional)



YUK-CGI

(Optional)

ORDER INFORMATION

	POE	ICR
YUC-Wi23-12R		■
YUC-Wi23-2RP	■	■
YUC-WG23		

MPEG4 CMOS MEGA PIXEL DOME

Features

1.3 Mega pixel (1280 x 1024) resolution with excellent picture performance (YUC-WM95-312 only)

MPEG4/JPEG dual stream

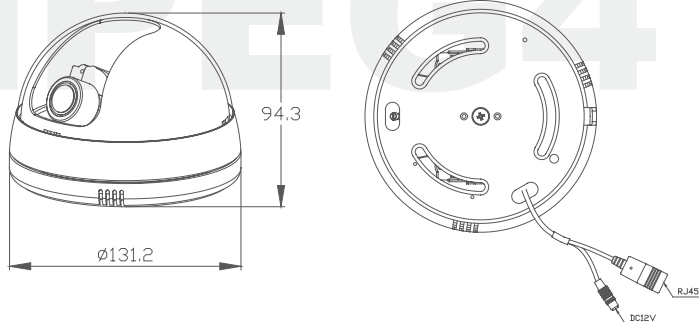
SD card for recording during alarm trigger & network outage

Mobile view support WM5/WM6/Symbian/JAVA/3GPP

POE (Power over Ethernet) for option

3.7-12mm manual iris lens (YUC-WM95-312 only)

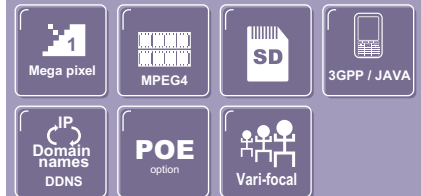
MPEG4



YUC-WM95-312 / YUC-WM94

Model No	YUC-WM95-312	WM-94
Max Resolution	Mega pixel (1280x1024 SXGA), VGA, CIF, QCIF	VGA, CIF, QCIF
Video Adjustment	Image setting, video streaming setting	
Frame Rate	NTSC: 30FPS / PAL: 25FPS	
Network Interface	Ethernet (10/100 Base-T)	
Video Compression	Dual stream: MPEG4 / JPEG	
Pre / Post Alarm	Yes, configurable	
SD card	AVI video format (remote access & download)	
Hardware	RJ-45 (Ethernet)	
Performance	Max. 10 connections for signal video	
Event trigger / Action	Schedule I/O & motion detection, sent AVI files to FTP, E-MAIL or SD card	
Protocols	TCP/IP, HTTP, FTP, SMTP, DDNS, PPPoE, DHCP, NTP, UPnP, 3GPP	
IP assignment	DHCP, PPPoE or Static IP	
System Requirement	Microsoft IE7 / IE8 or above	
Security	2 layers password protection	
Image Pick-up Device	1/4" CMOS	
Back Light Compensation	Auto	
Electronic Shutter	1/50 (1/60)...1/100,000s	
Gain Control	Auto	
Gamma	0.45	
S/N Ratio	48dB (AGC off)	
Minimum Illumination	0.1 Lux @ F1.2	
Lens	3.7...12mm manual iris lens	4.0mm lens
Power over Ethernet	POE (IEEE 802.3af) for option	
Power	LAN: DC12V (max. 6W) ; WLAN: DC12V (max. 7W)	
Dimension (mm) / Weight	131Ø x 94.5Hmm / @300g / 20pcs per carton	
Operating Temperature	-10°C...+45°C	

IP CAM



MPEG4



NORMAL SCENE



MEGA PIXEL SCENE

ORDER INFORMATION

	POE
YUC-WM95-312	
YUC-WM95-312P	■
YUC-WM94	
YUC-WM94P	■

MPEG4 IP CCD OUTDOOR IR CAMERA

Features

Full D1 resolution at 30/25FPS MPEG4/JPEG dual stream

MPEG4/JPEG dual stream

3.7-12mm / 9-22mm auto iris lens

IR cut removal filter (ICR) built-in

Outdoor with IR for range 30 / 40 / 50 metres

Fan & heater built-in

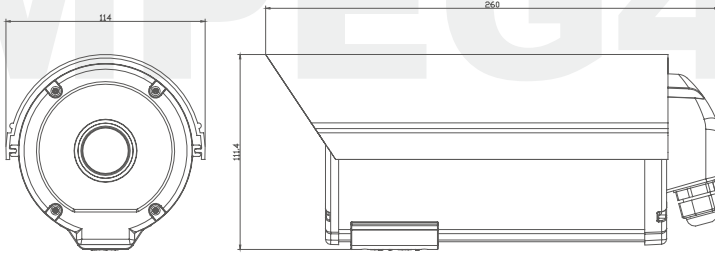
SD card for recording during alarm trigger & network outage

2-way audio

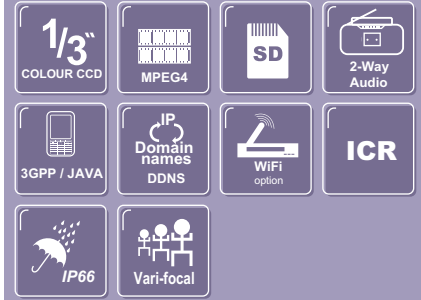
Wire or wireless (option)

Mobile view support WM5/WM6/Symbian/JAVA/3GPP

MPEG4



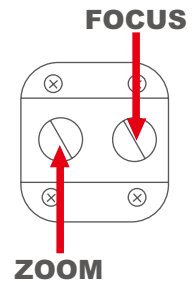
IP CAM



YUC-W763R

Max Resolution	Full D1 (NTSC: 720 x 480 / PAL: 720 x 576), CIF, QCIF, 4CIF
Video Adjustment	Image setting, video streaming setting
Frame Rate	NTSC: 30FPS / PAL: 25FPS
Network Interface	Ethernet (10/100 Base-T) ; wireless 802.11g/b (option)
Video Compression	Dual stream: MPEG4 / JPEG
Audio Compression	2-way
Pre / Post Alarm	Yes, configurable
SD card	AVI video format (remote access & download)
Hardware	RJ-45 (Ethernet)
Alarm I/O	1 x in / 1 x relay out
Video Input / Output	1 x video out
Audio Input / Output	1 x audio in / 1 x audio out
Performance	Max. 10 connections for signal video
Event trigger / Action	Schedule I/O & motion detection, sent AVI files to FTP, E-MAIL or SD card
Protocols	TCP/IP, HTTP, FTP, SMTP, DDNS, PPPoE, DHCP, NTP, UPnP, 3GPP
IP assignment	DHCP, PPPoE or Static IP
System Requirement	Microsoft IE7 / IE8 or above
Security	2 layers password protection
Image Pick-up Device	1/3" Colour CCD
Resolution	540TVL
Back Light Compensation	Auto
Electronic Shutter	1/50 (1/60)...1/100,000s
Gain Control	Auto
Gamma	0.45
S/N Ratio	48dB (AGC off)
Video Output	BNC, 1Vp-p, 75Ω
Minimum Illumination	0 Lux @ IR on
IR LED / Range	42 units IR LED for 30 metres, 56 units IR LED for 40 metres 21 units IR LED & 7 units ENHANCED-POWER for 50 metres
Lens	3.7...12mm auto iris lens for 30 metres 9...22mm auto iris lens for 40 metres / 50 metres
IR Cut Removal Filter (ICR)	Built-in
Power	AC110...240V, 47-63Hz
Dimension / Weight	104Ø x 256L / @1,600g / 10pcs per carton
Operating Temperature	-10°C...+45°C
Waterproof	IP66

MPEG4



Bracket included

ORDER INFORMATION

	30 metres	40 metres	50 metres	Wireless	ICR
YUC-W763R-30	■				■
YUC-W763R-40		■			■
YUC-W763R-50			■		■
YUC-W763RW-30	■			■	■
YUC-W763RW-40		■		■	■
YUC-W763RW-50			■	■	■

MPEG4 1CH VIDEO TRANSCEIVER

Features

All in one (Encoder, Decoder and Transceiver)
 Receive stream of IP cam & DVR
 2-way audio & D1 W/dual stream
 IP PTZ via regular keypad controller
 Auto switch in groups

YWS-01D

Max Resolution	Full D1 (NTSC: 720 x 480 / PAL: 720 x 576), CIF, QCIF, 4CIF
Video Adjustment	Video server, decoder and transceiver. Image setting, video streaming setting
Frame Rate	NTSC: 30FPS / PAL: 25FPS
Network Interface	Ethernet (10/100 Base-T) ; wireless 802.11g/b (option)
Video Compression	Dual stream: MPEG4 / JPEG
Audio Compression	2-way
Pre / Post Alarm	Yes, configurable
SD card	AVI video format (remote access & download)
Hardware	RJ-45 (Ethernet), RS-485
Alarm I/O	2 x in / 2 x out
Video Input / Output	1 x video in / 1 x video looping or monitor out
Audio Input / Output	1 x audio in / 1 x audio out
Performance	Max. 10 connections for signal video
Event trigger / Action	Schedule I/O & motion detection, sent as AVI files to FTP, E-MAIL or SD card
Protocols	TCP/IP, HTTP, FTP, SMTP, DDNS, PPPoE, DHCP, NTP, UPnP, 3GPP
IP assignment	DHCP, PPPoE or Static IP
System Requirement	Microsoft IE7 / IE8 or above
Security	2 layers password protection
Power	LAN: DC12V (max. 3W) ; WLAN: DC12V (max. 4.2W) (PSU included)
Dimension (mm) / Weight	42H x 133W x 107D / @400g / 20pcs per carton
Operating Temperature	-10°C...+45°C



MPEG4



ORDER INFORMATION

	WIRE	WIRELESS
YWS-01D	■	
YWS-01DW		■

IP CAM

MPEG4

SD

2-Way Audio

3GPP / JAVA

IP Domain names DDNS

WiFi option

MPEG4

MPEG4 1CH VIDEO SERVER

Features

MPEG4/JPEG dual stream
 Full D1 resolution at 30/25FPS
 SD card for recording during alarm trigger & network outage
 2-way audio
 Wire or wireless (option)
 Mobile view support WM5/WM6/Symbian/JAVA/3GPP

YWS-01S

Max Resolution	Full D1 (NTSC: 720 x 480 / PAL: 720 x 576), CIF, QCIF, 4CIF
Video Adjustment	Image setting, video streaming setting
Frame Rate	NTSC: 30FPS / PAL: 25FPS
Network Interface	Ethernet (10/100 Base-T) ; wireless 802.11g/b (option)
Video Compression	Dual stream: MPEG4 / JPEG
Audio Compression	2-way
Pre / Post Alarm	Yes, configurable
SD card	AVI video format (remote access & download)
Hardware	RJ-45 (Ethernet), RS-232, RS-485
Alarm I/O	2 x in / 2 x relay out
Video Input / Output	1 x video in / 1 x video looping
Audio Input / Output	1 x audio in / 1 x audio out
Performance	Max. 10 connections for signal video
Event trigger / Action	Schedule I/O & motion detection, sent as AVI files to FTP, E-MAIL or SD card
Protocols	TCP/IP, HTTP, FTP, SMTP, DDNS, PPPoE, DHCP, NTP, UPnP, 3GPP
IP assignment	DHCP, PPPoE or Static IP
System Requirement	Microsoft IE7 / IE8 or above
Security	2 layers password protection
Power	LAN: DC12V (max. 3W) ; WLAN: DC12V (max. 4.2W) (PSU included)
Dimension (mm) / Weight	42H x 133W x 107D / @400g / 20pcs per carton
Operating Temperature	-10°C...+45°C

ORDER INFORMATION

	WIRE	WIRELESS
YWS-01S	■	
YWS-01SW		■

SYSTEM ARCHITECTURE FOR YWS-01D

(on previous page)

IP CAM



16/36CH FREE RECORDING SOFTWARE

Features

Free with all Yudor IP products
Three Recording mode
AVI & JPEG video export

Video Channel	16CH MPEG4/JPEG compression
Real-time display mode	1, 4, 8, 9, 13, 16
Supported Device	IP Camera, Video Server, DVR.
Video Recording mode	Schedule, Motion, Manual
Network	Client
Recorded resolutions	Full D1, CIF, QCIF, 4CIF
Motion Detection	Yes, 3 area
HDD Overwrite	Yes
Motion triggered e-mail	Attach texture
Display	Show tag, time on each video, i-frame display
I/O Control	PTZ
Video Search	Time search.
Video Export	JPEG, AVI format and printable.
Playback	1x, 2x, 4x, 8x, 16x, 32x forward/backward
Security setting	Administration
Event Log	Yes



PANOSECURE PANORAMA SURVILLANCE MANAGEMENT SOFTWARE

Features

Single camera to monitor full 360° or 180° area
Quiet and no mechanical PTZ (pan, tilt, zoom) motor required
Up to 32 channels of panoramic image to view
Independent control per channel
Programme option for ceiling-mount (360°) and wall-mount (180°)
Mouse drag & drop, wheel change viewing area and zoom.
Real time event tracking by point and click
Archive control : PTZ control, playback, speed control and snapshot
Motion or full recording options
Software 'watch-dog' to help prevent software crashes
Colour correction to adjust white balance
Backup in executable *.exe file including archive control, password encrypted backup files
Up to 6 mega pixel IP cam supported
Windows Vista supported

Model	Panosecure
Video Channel	32ch for dual monitor / 24ch for single monitor
Real-time Display Mode	1 and 4 mode
Support Device	IP camera and video server
Video Recording Mode	Motion, Manual
Network	Client / IE
Recorded Resolutions	Max. 6 mega pixel
Motion Detection	Yes
HDD Overwrite	YES & multi-HDD
Display	UXGA, WXGA, SXGA, XGA, SVGA, VGA
Video Search	Event search
Video Export	JPEG or EXE format
Playback	Forward, backward, next, previous, time bar
Security Setting	Backup files password protection Administrator password
Compatible Yudor IP cam	YUC-W623, YUC-W695, YUC-WO95-312, YUC-WO95-312, YUC-WM95-312, YUC-WM94

360° Source Video



180° Source Video

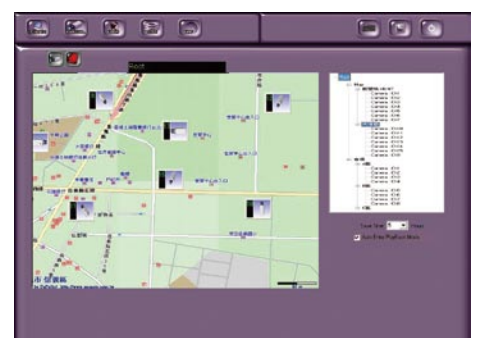
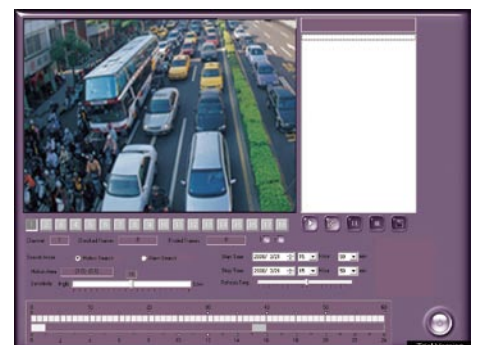


DELUXE (04, 09, 16, 36, 72CH FOR SELECTION) POWERFUL SERVER/CLIENT SOFTWARE

Features

- Up to 72ch IP to record for DVR, IP cam & video server
- MPEG4 / JPEG codes
- 3GPP server / Video server / Remote AP server
- DVR & PTZ control panel
- System record log for motion, I/O and authority
- Graphic icons for schedule, motion, I/O and manual record
- Drag and drop to swap channel position
- Manual / Auto channel and group
- Auto switch by channel and group
- Multi channel playback by time, event and smart search
- Multi PTZ control protocol
- Pre and post alarm setting
- I/O control setup
- Security setup for group management and authority
- Remote monitoring available
- E-Map and motion trigger setup (auto switch to playback mode)
- Multi monitor output

Model	Deluxe04, Deluxe09, Deluxe16, Deluxe36, Deluxe72
Video Channel	4ch/9ch/16ch/36ch/72ch MPEG4 and JPEG compression
Real-time Display Mode	1, 4, 9, 16, 36, 72 mode and channels hiding and private mask area
Support Device	IP camera, video server and DVR
Video Recording Mode	Schedule multisection, motion, I/O, manual, video AI
Network	Server / Remote client / Remote AP / IE
Recorded Resolutions	SXGA (1280 x 1024), D1, VGA, 4CIF, CIF, QCIF
Audio Record	4ch/9ch/16ch/36ch/72ch
Pre/Post Alarm Record	Yes
Motion Detection	Yes, 3 area
HDD Overwrite	Yes & multi-HDD
Motion Triggered e-mail	Attach text and picture
Display	Show tag, time on each video, i-frame display multi monitors, E-Map, auto switching
Multi-Ch Playback	Up to 72CH
Video Search	Time/I/O/motion/smart search
Video Export	JPEG or AVI
Playback	Time/I/O/motion/smart search/Video AI
Event Log	Yes
Security Setting	Unlimited customer group setting
Compatible Yudor IP cam	all Yudor IP cam and video server



HOUSINGS AND BRACKETS

HOUSINGS, BRACKETS & PSU's

HOUSINGS

YUH-619

145H x 151W x 390L (mm)
890g Weight
ABS Plastic



YUH-606

105H x 409L x 115W (mm)
1860g Weight
Aluminum



ORDER INFORMATION

YUH-619HB (+ HEATER/BLOWER) 240VAC
YUH-619HB-12 (+ HEATER/BLOWER) 12VDC
YUH-606HB (+ HEATER/BLOWER) 240VAC
YUH-606HB-12 (+ HEATER/BLOWER) 12VDC

GENERAL BRACKETS

YUK-D04/D05

265H x 85W x 100L (mm)
Load 10kg max
550g Weight
Aluminum/Beige

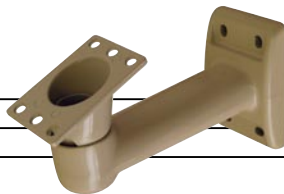


ORDER INFORMATION

YUK-D04 - for standard VR Domes
YUK-D05 - for IP VR Domes

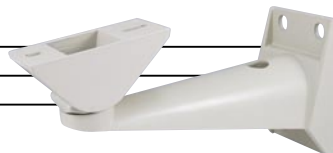
YUK-208

160H (mm)
Load 10kg max
450g Weight
Aluminum



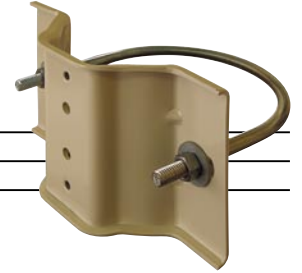
YUK-210

205(mm)
Load 10kg max
450g Weight
Aluminum



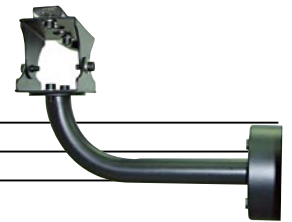
YUK-218

110H (mm)
Load 40kg max
600g Weight
Aluminum



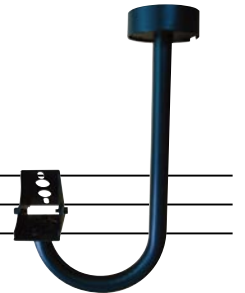
YUK-WGI

180H x 256D (mm)
Load 3kg max
500g Weight
Aluminum



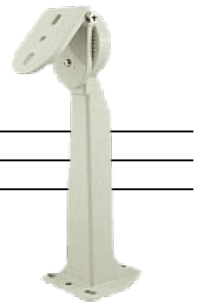
YUK-CGI

218H (mm)
Load 3kg max
450g Weight
Aluminum



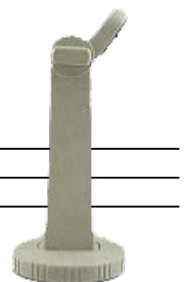
YUK-205A

265H x 85W x 100L (mm)
Load 10kg max
550g Weight
Aluminum/Beige



YUK-206

160H x 80D (mm)
Load 1.5kg max
150g Weight
ABS Plastic/Beige



BRACKETS AND PSU's

HOUSINGS, BRACKETS & PSU's

SPEED DOME BRACKETS

YUK-375 / 360

Swan neck for outdoor SD
460H x 255D (mm)
Load 10kg max
2.6Kg Weight
Aluminum



PLUG IN PSU

BP-W12-1000-UK

12 VDC
1A



YSS 01 FM

Flush mount for indoor SD



BOXED PSU

1381NS

12 VDC
1A
Battery backed



YSS 01 WM

Wall mount for indoor SD



1383N

12 VDC
3A
Battery backed



CORNER

Corner mount for outdoor SD



1384N-8-C

12 VDC
8 x 0.5A fused outlets
Battery backed



YSS 1020-I

20cm Pendant ceiling bracket for outdoor SD



YSS 1040-1

40cm Pendant ceiling bracket for outdoor SD

15" LCD COLOUR MONITOR

Features

3D Combo filter
 1024x768 75Hz resolution
 2 BNC output, 1 BNC input
 Looping function

YUC-LM153A

Type	Colour
Resolution	1024x768
Contrast Ratio	350:1
Pixel Pitch (mm)	0.297H x 0.297V
Brightness	260 cd/m2
Viewing Angle (H/V)	U/D:80°/55°, L/R:80°/80°
Response time	8 ms
Display area (mm)	304.1H x 228.1V
Composite inputs	VGA x1, S-Video x1, RCA x2, PC Audio x1, BNC x2
Composite output	BNC x1, EAR phone x1
Speaker	2.5W x 2
Power consumption	35W Max. in "ON" Mode
OSD language	English, German, French, Italian, Spanish
Dimension (mm)	353H x 368W x 25D
Weight	5.0Kg



19" LCD COLOUR MONITOR

Features

3D Combo filter
 1024x768 75Hz resolution
 2 BNC output, 1 BNC input
 Looping function

YUC-LM153A

Type	Colour
Resolution	1080x1024
Contrast Ratio	500:1
Pixel Pitch (mm)	0.294H x 0.294V
Brightness	250 cd/m2
Viewing Angle (H/V)	U/D:75°/75°, L/R:80°/80°
Response time	8 ms
Display area (mm)	376.32H x 301.056V
Composite inputs	VGA x1, S-Video x1, RCA x2, BNC x2
Composite output	BNC x1, EAR phone x1
Speaker	2.5W x 2
Power consumption	40W Max. in "ON" Mode
OSD language	English, German, French, Italian, Spanish
Dimension (mm)	414H x 430W x 30D
Weight	7.5Kg

17" LCD COLOUR MONITOR

Features

3D Combo filter
 1080x1024 75Hz resolution
 2 BNC output, 1 BNC input
 Looping function

YUC-LM173A

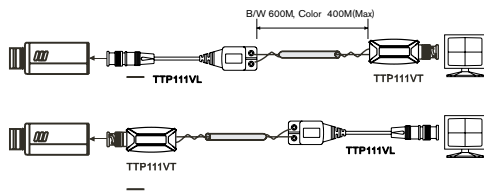
Type	Colour
Resolution	1080x1024
Contrast Ratio	400:1
Pixel Pitch (mm)	0.264H x 0.264V
Brightness	300 cd/m2
Viewing Angle (H/V)	U/D:80°/60°, L/R:80°/80°
Response time	8 ms
Display area (mm)	379.9H x 270.3V
Composite inputs	VGA x1, S-Video x1, RCA x2, PC Audio x1, BNC x2
Composite output	BNC x1, EAR phone x1
Speaker	2.5W x 2
Power consumption	35W Max. in "ON" Mode
OSD language	English, German, French, Italian, Spanish
Dimension (mm)	420H x 420W x 30D
Weight	7.5Kg



ACCESSORIES

TP CONVERSION KIT CONTAINING TTP111VT & TTP111VL

TTP111VK



ACTIVE VIDEO TWISTED PAIR TRANSMISSION

TTA111V = Pair

As TTA111VT & TTA111VR below

TTA111VT

Three position range switch for gain select on transmitter.
Built in transient protection and ground lifting.
System is integrated with alarm sensor (PIR, Magnetic, etc...) or RS485/422 data.



TTA111VR

Easy setting with 2 adjustments for colour gain and brightness at TTA111VR receiver.
Built in transient protection and ground lifting.
System is integrated with alarm sensor (PIR, Magnetic, etc...) or RS485/422 data.



LONG RANGE ACTIVE RECEIVER

TTA111VRH

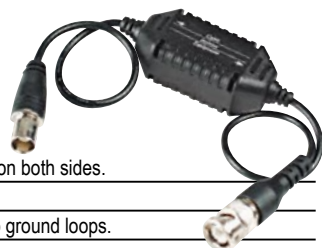
Designed for long range video transmission.
Video and data receiver.
Dual Power: DC12V , AC24V
Transmission range from 100 Metres to 1200 Metres when work with passive transmitter.
Transmission range from 100 Metres to 1800 Metres when work with active transmitter.
Built in ground loop isolation.
Easy setting with 2 adjustments for colour gain and brightness.
Built in transit protection and ground lifting.



GROUND LOOP ISOLATOR

GL001

BNC male to BNC female with mini cable 15cm on both sides.
Passive, no power required.
Prevents video-signal distortion caused by video ground loops.
Eliminates picture tearing, cross talk and rolling.
Prevents power cables laid by others interfering with the CCTV system.
Built in TVS (Transient Voltage Suppressors) for surge protection.



ACCESSORIES

VIDEO & POWER TRANSCEIVER

TTP111VPK-T

To send video & power via one CAT5 UTP cable.
6 pin terminal connector for easy connection.
Power cable could be one/two/three pairs option based on camera power consumption and transmission range.
TTP111VP-T – BNC male + power DC plug to 6 pin terminal
TTP111VPJ-T – BNC male + power DC jack to 6 pin terminal



4 CHANNEL VIDEO TRANSCEIVER

TTP414V

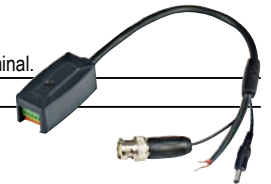
4 x BNC female to 1x RJ45 female + 8 pin terminal block.
Four passive transceivers in one product.
Choice of RJ45 or push pin terminal inputs/outputs.



VIDEO, POWER, DATA TRANSCEIVER (TERMINAL TERMINATION)

TTP111VPD

Male BNC with DC Plug+2 pin pigtail to 6 "push pin" terminal.
Push pin terminal for easy cable connection.
Video , low voltage camera power, data (RS422, RS485) transmission over one CAT 5 cable.



4 CHANNEL VIDEO, POWER, DATA TRANSCEIVER

TTP444VPD

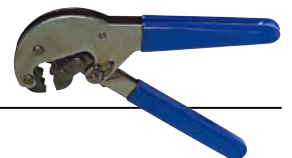
4 x BNC female + DC power to 4 x RJ45 female + 2 pin terminal for data.
Video, camera power, data (RS422,RS485) transmission over one CAT 5 cable.
Built in PTC fuse for short protection.
Use with TTP111VPD, transmit 4 channels video, power, data over four CAT 5 cable.



COAX CRIMPING TOOL

AT008

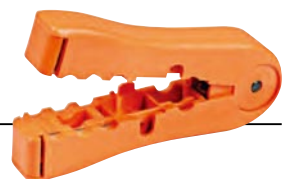
Application for crimping RG59, RG6 cable.



WIRE STRIPPER

AT003

For wire (UTP/STP) or wired & multi conductor cable from 3.2mm-9mm max.



WIRE STRIPPER

HT-322

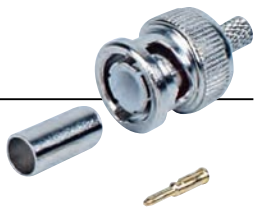
Coax stripper



BNC MALE CRIMP 3 PIECE CRIMP CONNECTOR

APBC13

RG6U
RG59



BNC FEMALE TO BNC FEMALE CONNECTOR

APBB00

BNC female to BNC female



BNC MALE TO 2 BNC FEMALE CONNECTOR

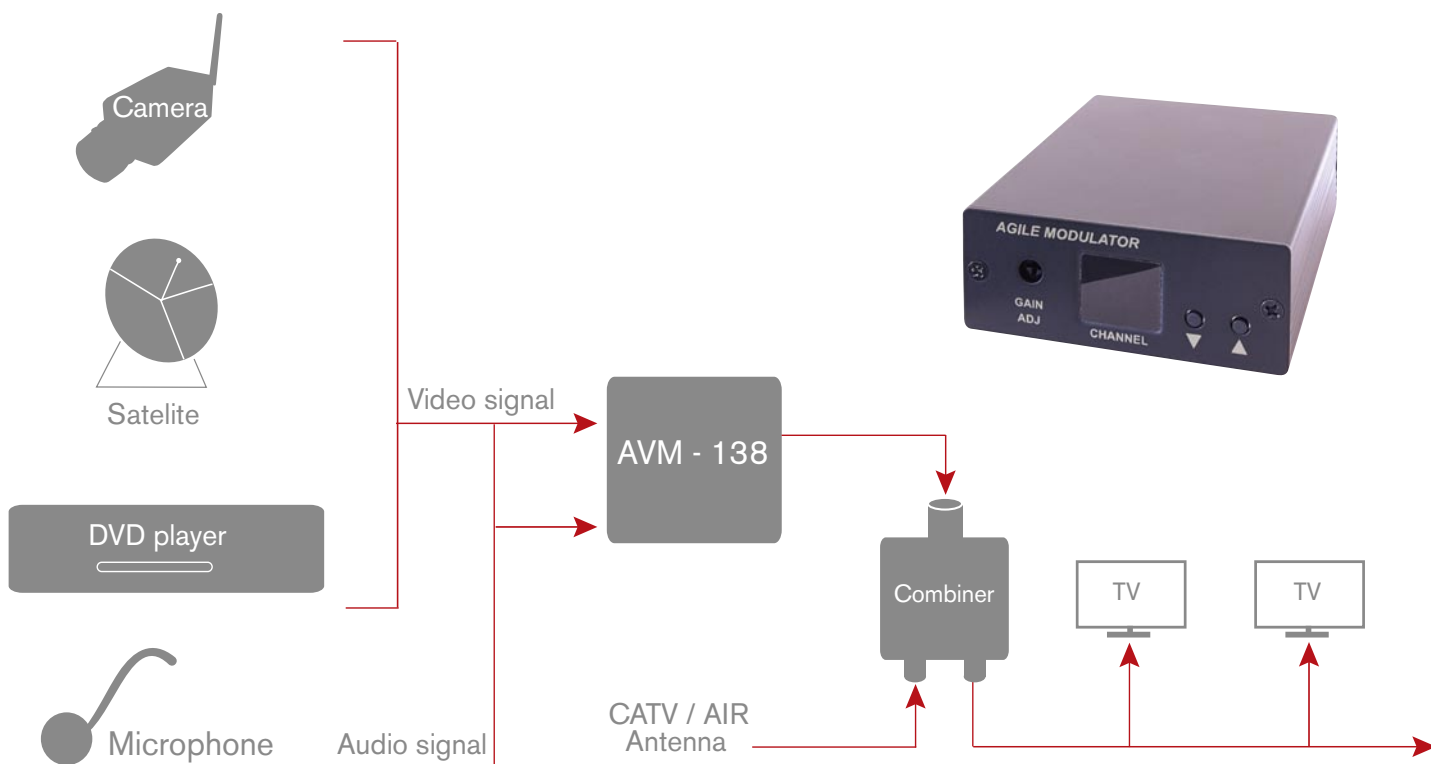
APB310

BNC male to 2 BNC female



AVM - 138 TV MODULATOR (including combiner and PSU)

The AVM - 138 modulator is designed to integrate CCTV camera signals, Satellite TV and DVD/VCD outputs into a Cable TV system. Any empty channel on the CATV may be used for the AVM - 138. Convenient for home, work, schools, public buildings, hotels and apartment blocks.



TV SYSTEM VALUE			
1	nC	NTSC-M (CATV)	CH58 (427.25MHZ --- CH138 (877.25MHZ)
2	nA	NTSC-M (AIR)	CH14 (471.25MHZ --- CH83 (885.25MHZ)
3	P1	PAL-B/G	E21 (471.25MHZ --- E69 (885.25MHZ)
4	P2	PAL-I	E21 (471.25MHZ --- E69 (885.25MHZ)
5	P3	PAL-D/K	E21 (471.25MHZ --- E69 (863.25MHZ)
6	P4	PAL-B	E21 (471.25MHZ --- E69 (855.25MHZ)

Audio / Video Transmitter & Receiver (Supplied as pair)

Features

- 2.4GHz eliminates interference for quality superior to other devices
- Transmits from any audio / video source
- Signals can be received on TV monitor, computer (with video capture device), or powered speaker
- 4 separate channels allowing four pairs of transmitter / receiver to operate simultaneously without interference
- Transmission distance up to 300m
- Can be used as home security system or infant monitoring system
- SMA antenna switchable (can be changed to high gain antenna by users)

YWL-ATX-1/ARX-1

	Transmitter YWL-ATX-1	Receiver YWL-ARX-1
Frequency	2400MHz-2483MHz	2400MHz-2483MHz
Transmitting power	10dBm (typical)	-----
Receiving Sensitivity	-----	-90dBm
Modulation type	FM	-----
Demodulation type	-----	FM
Channels	4	4
Frequency stability	±100KHz	±100KHz
Video input level	1 V (p-p) / 75Ω	1 V (p-p) / 75Ω
Power consumption	DC 9...12V	DC 9...12V
Current consumption	90mA (typical)	200mA (typical)
Antenna	Dipole	Dipole
Dimensions (mm)	73 x 59 x 22	73 x 59 x 22
Operating temperature	-10°C...50°C	-10°C...50°C



INFRARED ILLUMINATORS

Features

- Water resistant IP68 for YUI-760 and YUI-790
- IR distance: 10m, 16m and 20m
- CDS auto control

YUI-760 / YUI-790 / YUI-710

	YUI-760	YUI-790	YUI-710
Distance	10m	16m	20m
Infrared LED	20 units	36 units	41 units
Wave	840 nM		
Water resistance	IP68	IP68	IP66
Power on	CDS auto control		
Power supply	12V DC (± 10%)		
Power consumption	180mA (± 10%)	300mA (± 10%)	350mA (± 10%)
Storage temperature	-30°C...+60°C		
Operating temperature	-10°C...+45°C		
Dimensions (mm)	ø50*W60	ø68*W103.5	W101*H112.3*D255
Weight	250g	450g	900g



COMPANY PROFILE

Contact Information

Raytel Security Systems Limited

Southern Office

Raytel House, Brook Road,
Rayleigh, Essex SS6 7XH.
Sales: 01268 749310 / Tech: 01268 749311
General: 01268 749312 / Fax: 01268 749315

Northern Office

Unit 3, Block 5 Oakbank, Industrial Estate,
Garscube Road, Glasgow G20 7LU.
Tel: 0141 332 4232 / Fax: 0141 332 6952.

email – info@raytelsecurity.co.uk
Internet – www.raytelsecurity.co.uk

Introduction

Raytel Security Systems is a prominent supplier of a wide range of Door Entry, Access Control and CCTV Equipment to the UK Security Industry for both public buildings and private applications.

Products

The product portfolio of Raytel Security Systems consists of both Distributed Goods and In-House manufactured products. The company is the exclusive UK distributor for a number of prominent international manufacturers. These products are combined with the company's own range of products to form a comprehensive range of combined Door Entry, Access Control and CCTV Systems.

Systems

Door Entry

Kits – Generally used for simple one door, one to 10 way systems

Sound System – A modular range with electronic chime for functional dial systems, single to multi door, can have functional and digital dial porter switchboards.

Open Voice – A modular range similar to Sound System with open voice units allowing communication between visitor and user with automatic audio switching.

Two-Wire – A modular range using twisted pair cabling. Generally used for simple digital dial systems up to 200 users and 15 doors, single to multi door, can have digital dial switchboard.

Digibus – A modular range generally used for larger digital dial systems up to 10,000 users and 99 doors, single to multi door and building complex configuration, can have digital dial or PC porter switchboards.

Isolated Systems – A range of central controllers providing fully isolated and integrated door entry and access control solutions, ideally suited for Local Authority, Housing Association and Schools applications.

Access Control

A range of systems from standalone to corporate level system to suit most applications.

Automation

A range of swing, sliding and underground systems for domestic and light industrial gates, garage doors, barriers and stop bollards, motors for sun awnings and roller shutters.

CCTV

A range of CCTV equipment outlined in this brochure.

We will be pleased to quote and help you to engineer systems to your requirement, please contact our sales departments at the numbers above.

Door Entry, CCTV & Access Products



Elegant handsets and monitors.

Access Control Equipment

Kits, Handsets & Video Monitors

DDA Panels & Equipment

Door Monitoring Alarms

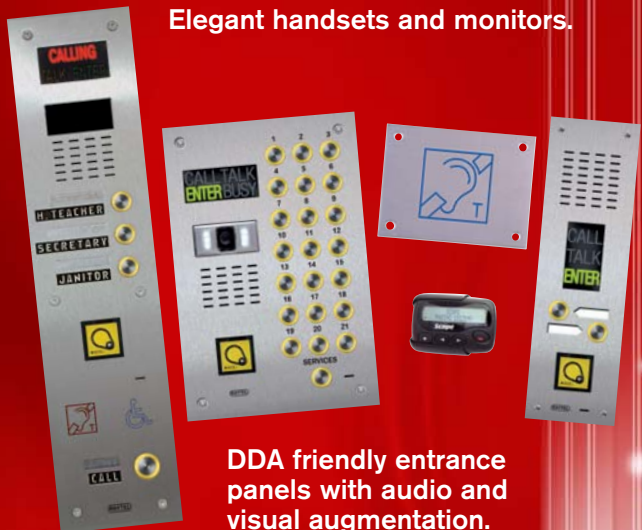
Functional & Digital Dial Panels

Gates, Barriers & Garage Doors

Staff Pagers



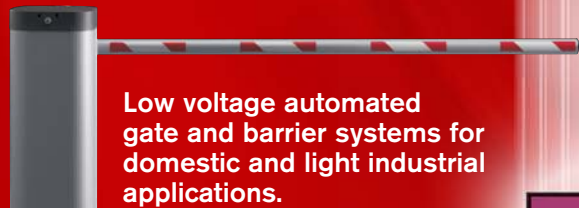
Stand alone and networked code, card and token proximity access systems.



DDA friendly entrance panels with audio and visual augmentation.



A wide range of Stainless Steel and decorative entrance panels.



Low voltage automated gate and barrier systems for domestic and light industrial applications.



Raytel Security Systems

helping to keep communities safer

Manufacturers and suppliers of Door Entry and Access Control systems for more than 25 years.

Southern Office: Tel: 01268 749310 / Fax: 01268 749315

Northern Office: Tel: 0141 332 4232 / Fax: 0141 332 6952

email: info@raytelsecurity.co.uk Internet: www.raytelsecurity.co.uk



RAYTEL SECURITY SYSTEMS LIMITED

Southern Office: Raytel House, Brook Road, Rayleigh, Essex SS6 7XH.

Sales: 01268 749310 / **Tech:** 01268 749311 / **General:** 01268 749312 / **Fax:** 01268 749315

Northern Office: Unit 3, Block 5, Oakbank Industrial Estate,
Garscube Road, Glasgow G20 7LU.

Tel: 0141 332 4232 / **Fax:** 0141 332 6952

email: info@raytelsecurity.co.uk

Internet: www.raytelsecurity.co.uk

CCTV

A comprehensive range of CCTV cameras, IP cameras,
recorders, screens and accessories.