



CI/SfB
(90.7)

May 2008

## PARTNERS ON A JOURNEY TO URBAN CREATIVITY .....



....[www.falco.co.uk](http://www.falco.co.uk)

Add Falco to your favourites at: [www.falco.co.uk](http://www.falco.co.uk)

The new and comprehensive Falco website.

We have extensive product information, the latest news,

recent projects, internet offers - you can find it all at

[www.falco.co.uk](http://www.falco.co.uk).

You can print product information, request an online

quote or order further hard copies of our brochure -

alternatively during office hours you can log a call for one

of our Technical Sales staff to call you back. In short it's

the Falco brochure on the Internet.

If you want regular updates, then why not register

through the website for Falco E-news? Then we can keep

you up to date with the latest Falco news via e-mail.

FALCO STREET FURNITURE 0809

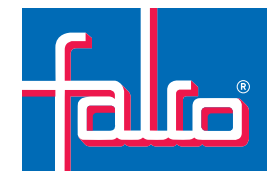


**TEL: 01538 380080    FAX: 01538 386421**

FALCO \* BARNFIELD CLOSE, BARNFIELD IND. ESTATE,

LEEK STAFFORDSHIRE ST13 5EG

E-MAIL: [SALES@FALCO.CO.UK](mailto:SALES@FALCO.CO.UK) \* INTERNET: [WWW.FALCO.CO.UK](http://WWW.FALCO.CO.UK)



PARTNERS ON A JOURNEY TO URBAN CREATIVITY



## Welcome to our new brochure!

Falco has been designing, manufacturing, supplying and installing street furniture for over 50 years and we are delighted to present our range of products for this year.

Our business continues to trade on the basis of quality and we aim to provide the best in terms of both products and service.



Our catalogue has been divided into five comprehensive chapters:

- Urban Delights
- Street Furniture
- Cycle Parking
- Shelters, Canopies and Walkways
- Play Equipment

The design principles of the Falco product range are flexibility and choice. Our products are robust and designed to last; with steelwork hot dip galvanised to BS 1461 and hardwood, FSC certified.

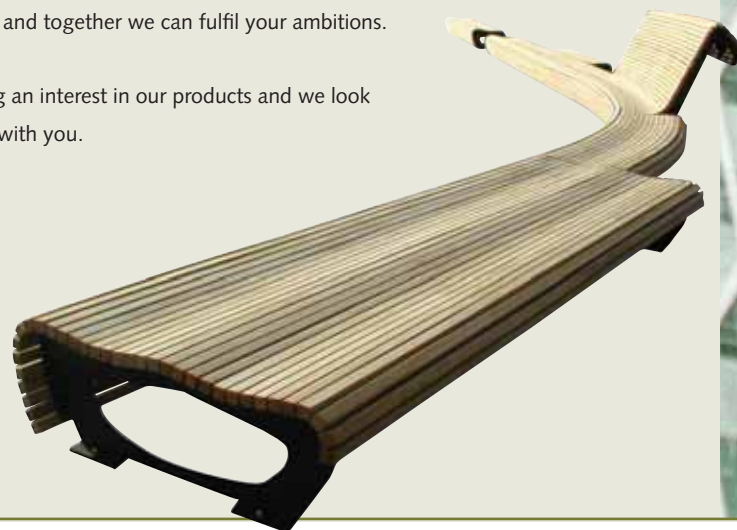
We have an excellent team of Technical Sales Managers who are fully experienced in the product range. The team regularly carry out site visits and can provide technical advice on all aspects regarding both products and installation.

Our professional Contracts team can provide 'turnkey' project management from survey to final sign off. Our directly employed teams of installation engineers are able to carry out all associated site works to agreed specifications.

Whatever your requirements please don't hesitate to give us a call, Falco's business culture is based on integrity and together we can fulfil your ambitions.

Thank you for taking an interest in our products and we look forward to working with you.

**Jeremy Green**  
Managing Director



## FALCO: ACTIVE THROUGHOUT EUROPE

Falco has an exclusive sales and distribution network in 10 European countries where our products are shipped and installed on a weekly basis. Additionally the continental influence on our product range gives Falco products a real cutting edge.

### UNITED KINGDOM

**Arunhithe Ltd**, Barnfield Close, Barnfield Ind. Estate,  
Leek Staffordshire ST13 5EG, T: 01538 380080, F: 01538 386421  
E: sales@falco.co.uk, I: www.falco.co.uk

### GERMANY

**Falco GmbH**, Waldstraße 39, D-57258 FREUDENBERG  
T: 02734 433777, F: 02734 433778  
E: info@falcogmbh.de, I: www.falcogmbh.de

### THE NETHERLANDS

**Falco BV**, Postbus 18, NL 7670 AA Vriezenveen  
T: +31 (0) 546 55 44 44, F: +31 (0) 546 56 11 15  
E: info@falco.nl, I: www.falco.nl

### BELGIUM

**Koppen.BE BVBA**, Brechtsebaan 22/Ind. Zone Z4,  
B-2900 SCHOTEN, T: 03 680 1234, F: 03 680 1230  
E: info@koppen.be, I: www.koppen.be

### IRELAND

**S.E.S. Services**, Unit 1 Feltrim Industrial Estate,  
Drynam Road, Swords, Dublin, T: 1845 3341, F: 1813 8301  
E: sesservices@eircom.net

### FRANCE

**Alkyn S.A.**, 6, Rue Paul Bert, F-94100 SAINT-MAUR-DES-FOSSÉS  
T: 01 48 854141, F: 01 48 855700  
E: alkyn@wanadoo.fr, I: www.alkyn.fr

### FINLAND

**Elpac Oy**, Manttaalitie 7D, FIN-01530 VANTAA  
T: 09 870 1144, F: 09 870 1201  
E: myynti@elpac.fi, I: www.elpac.fi

### LUXEMBOURG

**Marx s.à.r.l.**, 22, Rue John Grün, L-5601 MONDORF-LES-BAINS  
T: 2366 8165, F: 2366 1337  
E: marx@pt.lu, I: www.marx.lu

### SWITZERLAND

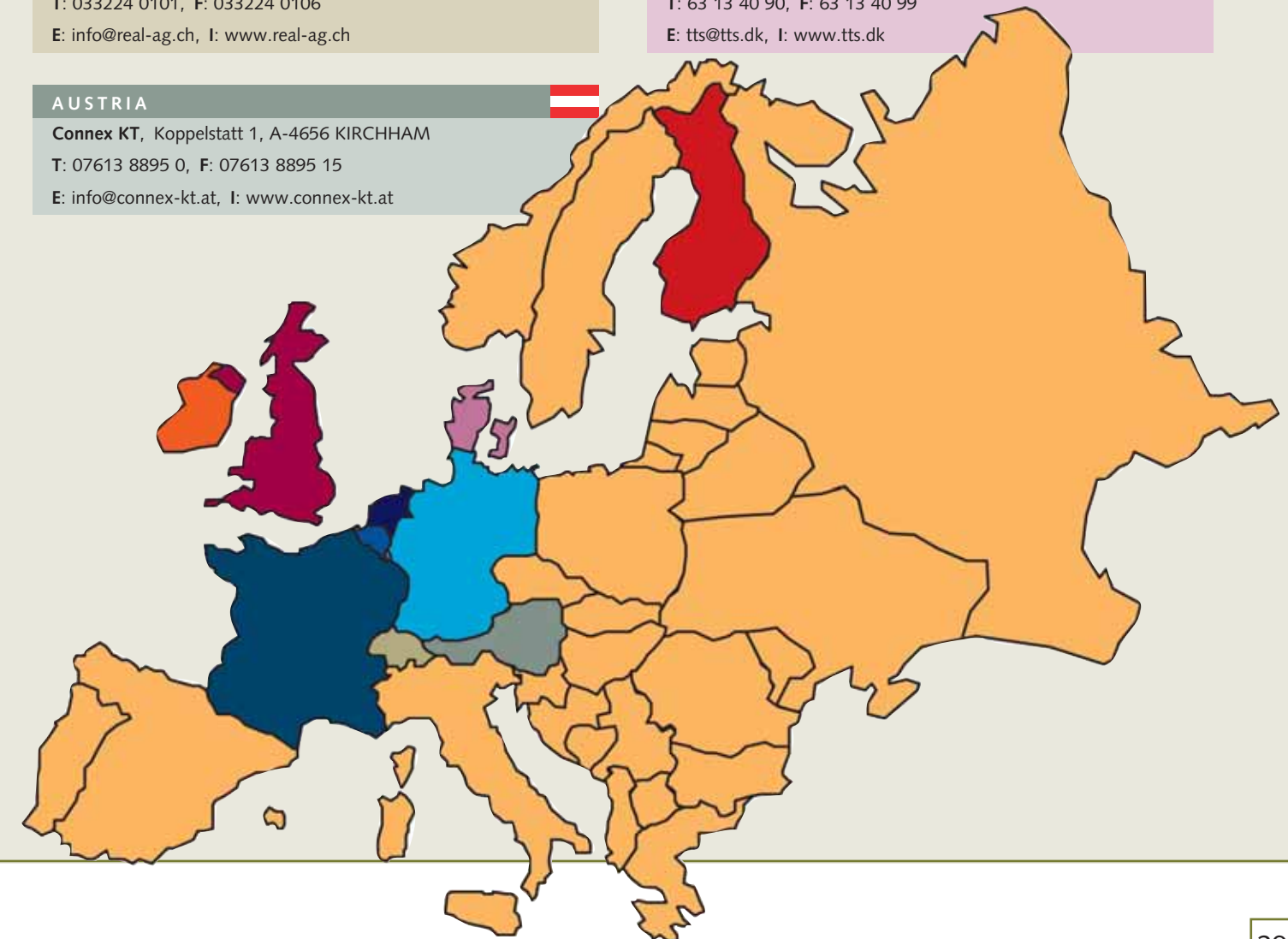
**REAL AG**, Uttigenstraße 128, CH-3603 THUN  
T: 033224 0101, F: 033224 0106  
E: info@real-ag.ch, I: www.real-ag.ch

### DENMARK

**TTS A/S**, Havnegade 23, DK-5000 Odense C  
T: 63 13 40 90, F: 63 13 40 99  
E: tts@tts.dk, I: www.tts.dk

### AUSTRIA

**Connex KT**, Koppelstatt 1, A-4656 KIRCHHAM  
T: 07613 8895 0, F: 07613 8895 15  
E: info@connex-kt.at, I: www.connex-kt.at





## Welcome to our new brochure!

Falco has been designing, manufacturing, supplying and installing street furniture for over 50 years and we are delighted to present our range of products for this year.

Our business continues to trade on the basis of quality and we aim to provide the best in terms of both products and service.



Our catalogue has been divided into five comprehensive chapters:

- Urban Delights
- Street Furniture
- Cycle Parking
- Shelters, Canopies and Walkways
- Play Equipment

The design principles of the Falco product range are flexibility and choice. Our products are robust and designed to last; with steelwork hot dip galvanised to BS 1461 and hardwood, FSC certified.

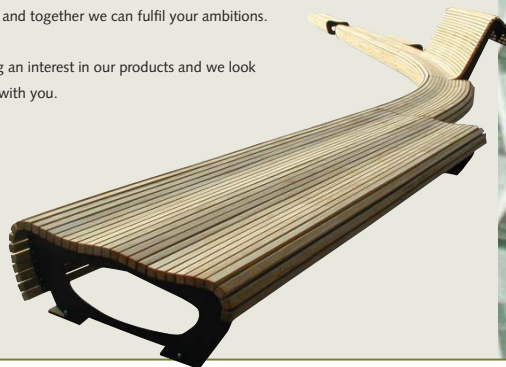
We have an excellent team of Technical Sales Managers who are fully experienced in the product range. The team regularly carry out site visits and can provide technical advice on all aspects regarding both products and installation.

Our professional Contracts team can provide 'turnkey' project management from survey to final sign off. Our directly employed teams of installation engineers are able to carry out all associated site works to agreed specifications.

Whatever your requirements please don't hesitate to give us a call, Falco's business culture is based on integrity and together we can fulfil your ambitions.

Thank you for taking an interest in our products and we look forward to working with you.

**Jeremy Green**  
Managing Director



## FALCO: ACTIVE THROUGHOUT EUROPE

Falco has an exclusive sales and distribution network in 10 European countries where our products are shipped and installed on a weekly basis. Additionally the continental influence on our product range gives Falco products a real cutting edge.

### UNITED KINGDOM



**Arunhithe Ltd**, Barnfield Close, Barnfield Ind. Estate,  
Leek Staffordshire ST13 5EG, T: 01538 380080, F: 01538 386421  
E: sales@falco.co.uk, I: www.falco.co.uk

### GERMANY



**Falco GmbH**, Waldstraße 39, D-57258 FREUDENBERG  
T: 02734 433777, F: 02734 433778  
E: info@falco GmbH.de, I: www.falco GmbH.de

### THE NETHERLANDS



**Falco BV**, Postbus 18, NL 7670 AA Vriezenveen  
T: +31 (0) 546 55 44 44, F: +31 (0) 546 56 11 15  
E: info@falco.nl, I: www.falco.nl

### BELGIUM



**Koppen.BE BVBA**, Brechtsebaan 22/Ind. Zone Z4,  
B-2900 SCHOTEN, T: 03 680 1234, F: 03 680 1230  
E: info@koppen.be, I: www.koppen.be

### IRELAND



**S.E.S. Services**, Unit 1 Feltrim Industrial Estate,  
Drynam Road, Swords, Dublin, T: 1845 3341, F: 1813 8301  
E: sesservices@eircom.net

### FRANCE



**Alkyn S.A.**, 6, Rue Paul Bert, F-94100 SAINT-MAUR-DES-FOSSÉS  
T: 01 48 854141, F: 01 48 855700  
E: alkyn@wanadoo.fr, I: www.alkyn.fr

### FINLAND



**Elpac Oy**, Manttaalitie 7D, FIN-01530 VANTAA  
T: 09 870 1144, F: 09 870 1201  
E: myynti@elpac.fi, I: www.elpac.fi

### LUXEMBOURG



**Marx s.à.r.l.**, 22, Rue John Grün, L-5601 MONDORF-LES-BAINS  
T: 2366 8165, F: 2366 1337  
E: marx@pt.lu, I: www.marx.lu

### SWITZERLAND



**REAL AG**, Uttigenstraße 128, CH-3603 THUN  
T: 033224 0101, F: 033224 0106  
E: info@real-ag.ch, I: www.real-ag.ch

### DENMARK

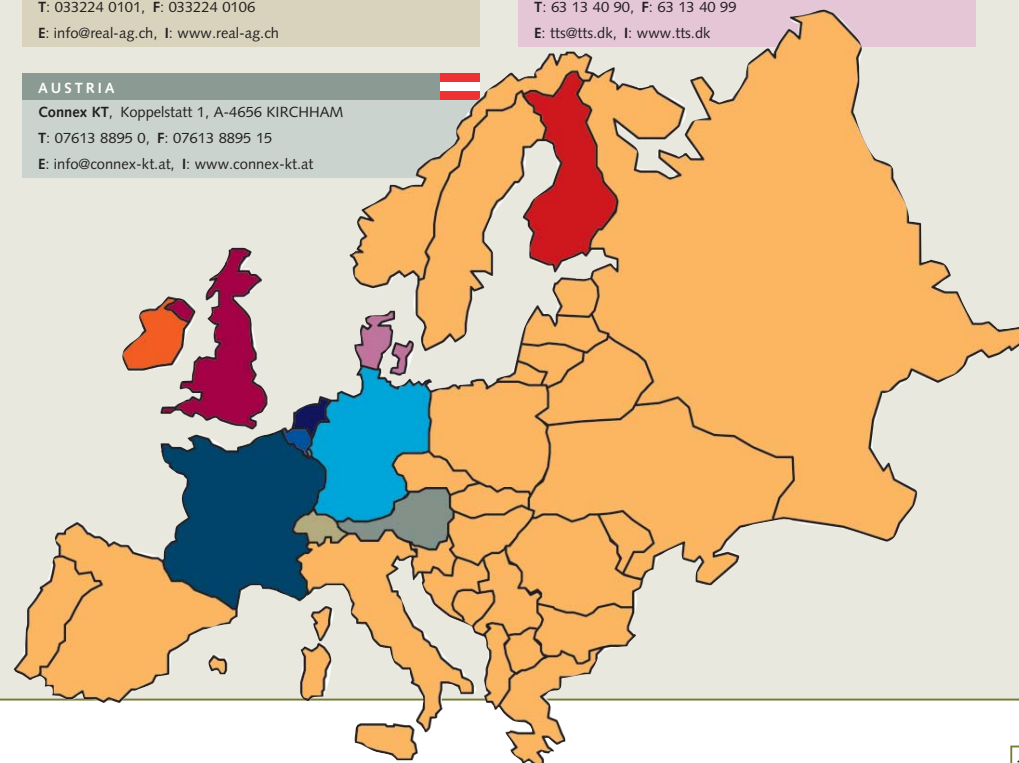


**TTS A/S**, Havnegade 23, DK-5000 Odense C  
T: 63 13 40 90, F: 63 13 40 99  
E: tts@tts.dk, I: www.tts.dk

### AUSTRIA



**Connex KT**, Koppelstatt 1, A-4656 KIRCHHAM  
T: 07613 8895 0, F: 07613 8895 15  
E: info@connex-kt.at, I: www.connex-kt.at





<b>CONTENTS</b>	
<b>PRODUCTS</b>	<b>PAGE</b>
Introduction	3
<b>URBAN DELIGHTS 4 - 11</b>	
Materials and Textures in Urban Design	4 - 11
<b>STREET FURNITURE 12 - 161</b>	
Introduction	12 - 13
Benches, seats, chairs and tables	14 - 79
Ashtrays	80 - 82
Litter bins	83 - 107
Bollards	108 - 131
Planters	132 - 137
Tree protection	138 - 142
Guide rails	143 - 151
Parking reservation	152 - 153
Barriers	154 - 158
Flagpoles	159 - 161
<b>CYCLE PARKING 162 - 205</b>	
Introduction	162 - 163
Cycle stands	164 - 175
Cycle racks	176 - 190
Cycle clamps	191 - 199
Lockers	200 - 205
<b>SHELTERS, CANOPIES AND WALKWAYS 206 - 257</b>	
Introduction	206 - 207
Stores	208 - 227
Canopies	228 - 229
Carports/Walkways	230
Stores	231 - 252
Falconettes	253 - 255
Pergolas	256 - 257
<b>PLAY AND SPORT 258 - 287</b>	
Introduction	258 - 259
Sight and Sound	260 - 271
Water and Fluids	272 - 276
Tradition with a Twist	277 - 283
Mechanics and Gravity	284 - 287
<b>TECHNICAL 288 - 291</b>	
Technical Information	288 - 290
Falco Europe	291

## URBAN DELIGHTS

Urban Delights are our design ideas for co-ordinated street furniture ranges. Many of our products are spread throughout the catalogue, so this was an opportunity for us to bring them together to provide some inspiration based on some key themes of materials, form and function.

## STREET FURNITURE

A comprehensive and design led range of products which exert both style and form - coupled with high functionality, the products to blend with both urban and rural landscapes covering; street scenes, parks and gardens, public and private environments.

## CYCLE PARKING

Falco offers the most comprehensive range of cycle parking systems in the UK. We have an unparalleled range of stores, racks and shelters to meet every requirement. Cycling is a positive initiative in many ways, so let us help solve your infrastructure needs with both functional and attractive parking systems.

## SHELTERS, CANOPIES AND WALKWAYS

The wide range of high quality stores, shelters, canopies and walkway structures provide a comprehensive product portfolio for every requirement. Falco products can be used for every application; cycling, smoking, bus stops, parent waiting shelters, teen shelters, sports dug-outs etc.

## PLAY AND SPORT

Innovative, inventive and interactive - the Science Park range of play equipment is great range of products to stimulate, fascinate and challenge children. The Saysu range of outdoor gym equipment is a new product range to address ongoing need for fitness in the public environment.

## TECHNICAL

This section details our technical offering from site surveys, CAD layouts and schematics, plus PDF data sheets and product technical information downloads to make specifying easier. It also covers our commitment to Quality including the products and processes we use, how we address Health and Safety issues and our commitment to the Environment.

## QUESTIONS

## CONTACT

Our office hours are	08.00 - 17.00 hours, Mon - Fri
By phone:	(01538) 380080
By fax:	(01538) 386421
By email:	sales@falco.co.uk
By internet:	www.falco.uk





## Materials and Textures in Urban Design



### Urban Delights by Falco

The creative aspect of the **design** process is an intangible. The result however is an insightful piece of thought – but getting that result needs inspiration ... in these 8 pages we have drawn together some materials and textures which we hope will **stimulate** that unique process, and trigger your spark of creativity in urban design.

**Stainless Steel**

**Aggregates**

*Granite*

**EXOTIC HARDWOOD**

**Steel**

**Concrete**

*Cast Products*

**Falco's aim is provide ideal**

**products for public spaces ...**



# Stainless Steel



## Austenitic Sophistication

Stainless steel is both **cool and bright**, sophisticated and functional. When applied in an urban context it creates a feeling of quality and lasting presence. **Falco's stainless range** works particularly well with natural materials such as hardwood and granite where the contrast between high quality finishes creates a great combination.







## EXOTIC HARDWOOD



## Rich and Natural

Hardwood is a magnificent material – rich, **sinuous and flexible**. Great for seating such as the **FalcoCube** and **Flow** ranges where it is warm to touch, wood is also ideal for shelters ... and it weathers beautifully. Falco sources wood which is FSC certified.



The mark of responsible forestry.

CU-COC-008530

©1996 Forest Stewardship Council



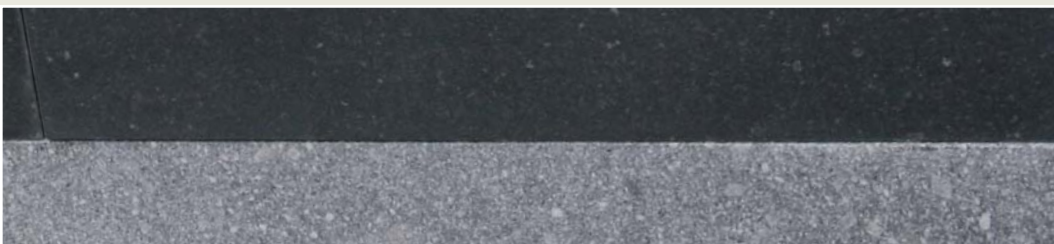


# Solid Granite



## Smooth and Substantial

The **FalcoGranite** is a range of street furniture in solid granite with polished surfaces to create a cool and **unyielding statement**. Coupled with hardwood or stainless, granite is a material link between the built environment and the landscape.







# Steel - 100% Recyclable



## Robust and Practical

Steel is such a flexible material and 100% recyclable. In the **Falco streetscene** ranges, our steelwork is hot dip galvanised to BS EN ISO 1461 creating very long lasting protection for the structure – plus the application of polyester powder coating (in over **192 RAL colours** and always in addition to the galvanisation) can transform and lift steel to a new level.





# Concrete and Aggregates



## Practical and Stylish

Used in the urban landscape, bonded aggregates make a **significant statement**.

They look and feel solid, permanent and immovable. **Falco's Vasart** range can be used in functional locations where a substantial and vandal resistant product is required or in a refined and timeless grand park setting.



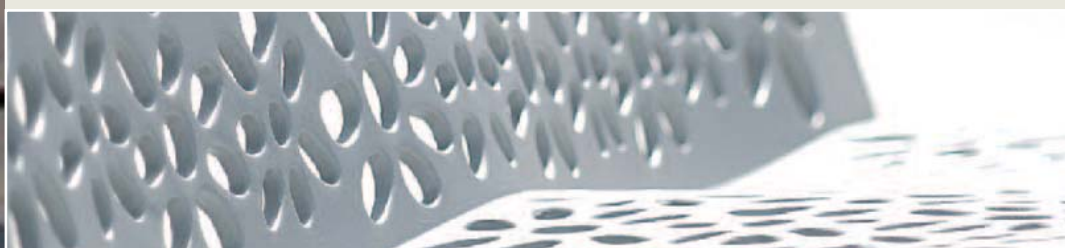


## Cast Products



## Traditional and Modern

Cast products offer a flexibility that fabricated products do not. The ability to mould lines and shapes provides the facility to encapsulate the curves of nature in a **sculptured form** – in both traditional and modern styles – exemplified in **Falco's Italian ranges**.



## What else ... ?



## If you still can't find what you need then do give us a call ...

We have many **project** photographs to help visualise the products in different environments, we can help prepare designs and CAD schematics.

We have **access to many other products** such as; Information Boards, Signage and Street Lighting.

Plus we regularly carry out **bespoke** designs for client's individual needs.

**What else? ... partners on the road to urban creativity**







# A stylish range of Street Furniture

Falco's range of street furniture is a comprehensive collection of **high quality** products for every environment. From stylish co-ordinated ranges of street furniture to simple picnic seats, the range is here to give architects, designers and specifiers inspiration and choice.

The range covers; seating, litter bins, bollards, planters, barriers, tree protection – the whole range of street furniture requirements.

The **design led** aspect of Falco street furniture enables it to accentuate a scheme - from parks and recreation areas to urban street scenes or from rural and marine locations to museums and tourist sites.

If it's **materials** you are focussed on then we have plenty to offer – from FSC hardwood, stainless steel and cast iron through to granite, aggregate or simple galvanised steel – you can find a material or texture to link into almost any design concept. Plus with a choice of **192 colours** from the RAL register for many products, matching schemes or corporate identities is straightforward.

## Design led products for external environments



Falco street furniture is designed to be robust and vandal resistant - and with little need for maintenance, the products provide a very **low cost of ownership** for many years.

We can also provide site surveys, **CAD** layouts and schematics, plus all product technical data sheets are available in **PDF** format to make specifying easier.

Additionally there are whole chapters in the brochure dedicated to cycle parking and shelters, canopies and walkways, plus some **striking centre pieces** to punctuate a square or piazza in the 'Science Park' range of play equipment ... and as always with Falco, if you're not sure give us a call, we understand the design process and we're sure we can help.



# QUESTIONS?

**Falco** Barnfield Close, Barnfield Ind. Estate, Leek Staffordshire ST13 5EG  
**T** 01538 380080 **F** 01538 386421 **E** sales@falco.co.uk **W** www.falco.co.uk





1 FALCOLINEA SEATING	
Part code	Description
31.522.121	FalcoLinea single sided bench with 2 supports, length 2071 mm
96.091.357	concrete foot of 595x300x300 mm with embedded anchor rail
31.524.121	FalcoLinea single sided seat with 2 supports, length 1950 mm
96.092.020	concrete foot dim. 600x300x200 mm with 2 stainless steel coach screws 8x60 mm, 2 stainless steel rings M8 and 2 plugs M10
2 FALCOLINEA CHAIR	
Part code	Description
31.520.021	FalcoLinea chair with floorplate on MF, FSC wood
96.092.020	concrete foot dim. 600x300x200 mm with 2 stainless steel coach screws 8x60 mm, 2 stainless steel rings M8 and 2 plugs M10

### 1 FALCOLINEA

This bench with its innovative modern design, coupled with urban robust looks, is available with and without backrests. Constructed from FSC certified wooden slats with steel plate frame and supports, it's aesthetics make it appealing to any urban environment.

All steel plate is hot dipped galvanised, and can be polyester powder coated in a choice of 192 standard RAL colours.

The FalcoLinea's base plate makes for ease of surface or below ground fixing.

### 2 FALCOLINEA CHAIR

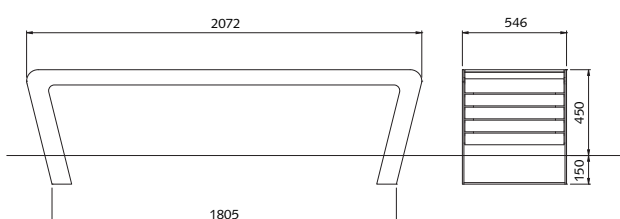
The FalcoLinea chair has all the attributes of the bench, but enables optimal flexibility in the use of the range.

All parts are beautifully rounded to maintain great ergonomic, and yet the range has a high degree of vandal resistance.

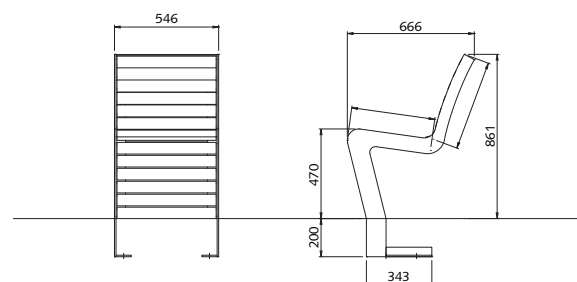
### FALCOLINEA CO ORDINATED PRODUCTS

Litter bins page no. 84.

FalcoLinea bench, Part code 31.522.121



FalcoLinea chair, Part code 31.520.021





## FLOW

The Flow is one of Falco's many wood based ranges and is notable for its distinctive sinuous and sculptured form. Based on a slatted design, the Flow product range allows great flexibility for schemes requiring natural hardwood materials and non-linear seating arrangements.

Flow provides unlimited option in terms of the length of the seating run and the design line it creates. Its plasticity enables designers to create flowing contours and curves, and seating which traces a path around other objects. The Flow co-ordinates with a number of other Falco street furniture products and can be used to create a perfectly natural outdoor environment.

The Flow is available as a single or double sided bench or as a single sided seat with a backrest. Manufactured from 40x40mm hardwood slats with three supports every 2m for a linear run – the supports can be powder coated. Seat is priced per metre, with a minimum requirement of 2 metres.

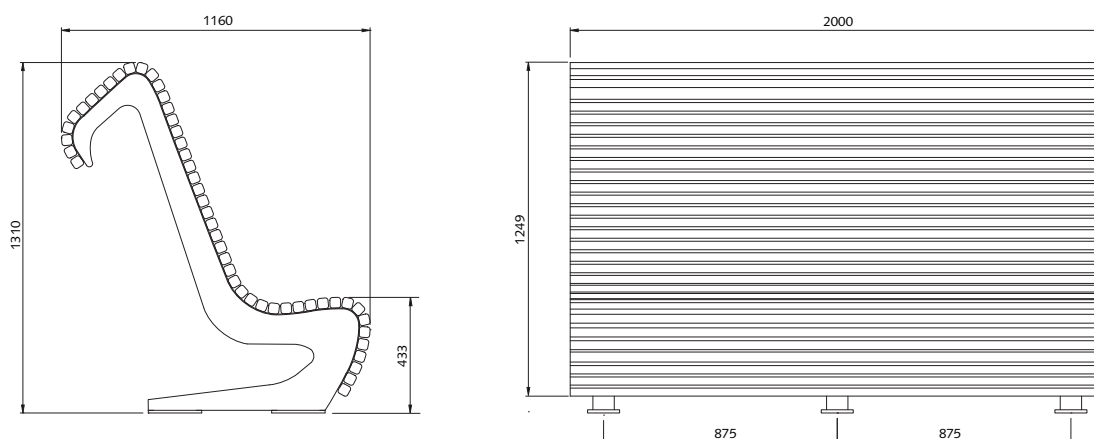
## FLOW

Part code	Description
37.900.002*	single-sided, with back, 2000x1160x1310 mm
37.903.002*	single-sided, without back, 2000x710x430 mm
37.906.002*	double-sided, without back, 2000x1160x430 mm

### You can choose from 11 standard colours:

RAL 1007, daffodil yellow	RAL 3000, fire red
RAL 3005, wine red	RAL 4004, violet bordeaux
RAL 5013, cobalt blue	RAL 6009, pine green
RAL 6005, moss green	RAL 6029, mint green
RAL 7016, anthracite grey	RAL 9005, deep black
RAL 9007, grey aluminium	

### Flow, Part code 37.900.002







### TRIANGLE SEATING

Part code	Description
34.515.011	seat with back, concrete supports
34.517.011	bench without back, concrete supports
34.516.011	seat with back, black supports
34.518.011	bench without back, black supports

### TRIANGLE STREET FURNITURE

The Triangle range of products from Falco is a co-ordinated range of street furniture characterised by its fresh eye catching design, its functionality and its durability. The range consists of; shelters, canopies, benches and seating, litter bins, bollards and cycle parking systems.

The range also benefits from the versatility of the material options available: a range of aggregates can be used to create either light cream supports or heavier appearance darker mounts to contrast with the hardwood slats. Similarly, the range can be made in either stainless steel or powder coated in any of the 192 RAL colours.

As a result, the aesthetics of the FalcoTriangle range are well suited to both modern urban locations or traditional rural settings, providing the architect with a very versatile range of products with which to create a distinctive outdoor environment.

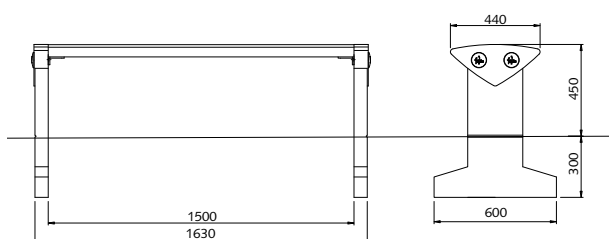
### TRIANGLE SEATING

The Triangle bench is a combination of strong and solid aggregate uprights, maintenance free FSC hardwood slats and galvanised steel support brackets.

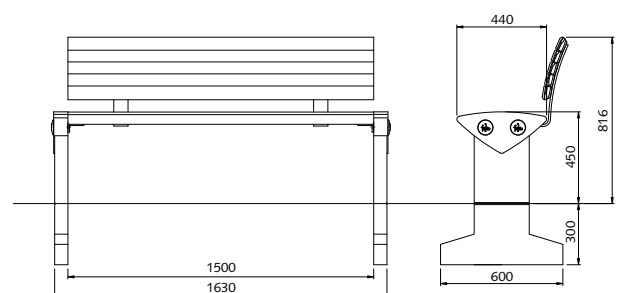
The upright mounts can be manufactured in either a black polished finish or in matt concrete. The seat and optional backrest are manufactured from FSC hardwood. The remaining support and fixing brackets are manufactured from hot dip galvanised steel which can be additionally powder coated to complement the design scheme.

The side uprights are supplied as standard with an extra 300mm to aid below ground fixing. For surface fixing, this can be removed, and we must be notified at time of ordering.

**Triangle bench,**  
Part code 34.517.017 / 34.518.017



**Triangle seat,**  
Part code 34.515.017 / 34.516.017





## TRIANGLE STAINLESS STEEL

The Triangle seat is an attractive bench and can be enhanced using stainless steel. A combination of strong solid bonded aggregate/ concrete, maintenance free stainless steel and galvanised steel support brackets. The seat and backrest **have attractive pierced slits to enhance the bench's appearance and are gently curved for comfort.**

The other parts of the supporting structure are manufactured from galvanised steel which can be powder coated in any of the 192 RAL colours to complement the design scheme.

The seats are mounted between the concrete elements using special Falco caps. This is the final touch for a very attractive product. The concrete supports include an 300x600 mm element for in-ground installation.

There are optional side supports in natural stone, in black granite.

## TRIANGLE, STAINLESS STEEL

Part code	Description
34.510.017	Triangle seat, with concrete supports
34.512.017	Triangle bench, with concrete supports
34.511.017	Triangle seat, with natural stone supports
34.513.017	Triangle bench, with natural stone supports

## TRIANGLE CO ORDINATED PRODUCTS

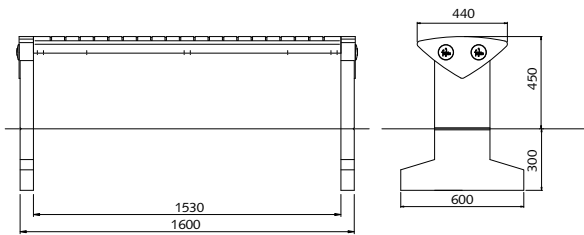
Litter bins page no. 85.

Bollards page no. 118.

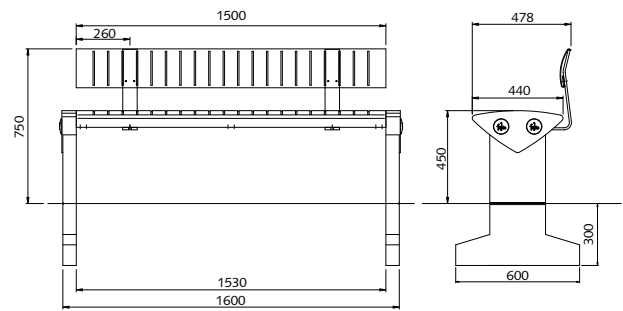
Shelters page no. 222 and 223.

Cycle parking page no. 168, 176, 177 and 178.

**Triangle bench,  
Part code 34.512.017 / 34.513.017**



**Triangle seat,  
Part code 34.510.017 / 34.511.017**





1 SCHWABING	
Part code	Description
30.365.800	Schwabing bench with untreated Kambala Timber
30.366.800	Schwabing bench with treated wooden slats
2 WASSERBURG	
Part code	Description
30.381.800	Wasserburg seat with back in untreated Kambala Timber
30.382.800	Wasserburg seat with back in treated wooden slats

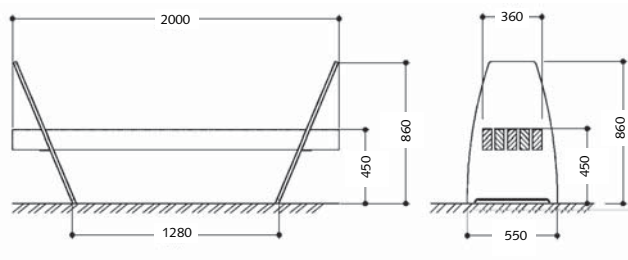
The steel plates are hot dip galvanised to BS EN ISO 1461 and can be polyester powder coated in a choice of 192 standard RAL colours, with special colours available on request. The bench is available with either Kambala or impregnated wooden slats. Designed for either self supporting or below ground fix.

Design: Bartsch Design.

**1 SCHWABING**

The Schwabing seat is an elegant new design from Falco with exceptional form. As usual, a simple design is often the most evocative and the new Schwabing bench has a timeless look. The combination of robust steel plates and chunky wooden slats united in a light and effortless arrangement gives the bench a great sculptural feel.

**Schwabing, Part code 30.365.800 / 30.366.800**

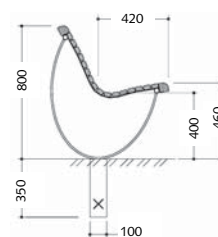


**2 WASSERBURG**

The Wasserburg is another new seat design with stunning curves and a rolling feel. An uncomplicated design engineered with steel arcs to create a ripple effect using wooden slats. The seat is manufactured using rolled steel plates for the legs and back supports and contoured hard wood slats for the seating area.

The steel support elements are hot dip galvanised to BS EN ISO 1461 and can be polyester powder coated in a choice of 192 standard RAL colours, with special colours available on request. The seat is available with either Kambala or impregnated wooden slats. Design for below ground fix.

**Wasserburg, Part code 30.381.800 / 30.382.800**





## 1 GERA BENCH

The Gera seats are another design led seating solution creating an eye catching line. The design evokes an abstract flower form, by using a very simple set of curves slightly offset to produce the feeling of flower stems and the result is a seat which certainly invites people to sit and rest.

The seats are delivered in a standard colour of anthracite grey, comparable to RAL 7016, though other colours are available on request. The wooden slats are untreated Kambala as standard, but again these can be ordered treated if required. The standard design is for a bolt down option using the metal base plates. Designed by Andy Rayer. Total height 800 mm (lengthened side supports), height above ground level 450 mm, 350 under ground level. Length 1320 mm, depth 450 mm.

## 2 GERA STOOL

The difference between the Gera bench and the Gera stool is the width of 390 mm.

Design by Andy Rayer. Height 450 mm and depth 450 mm.

## 3 GERA LEANING STOOL

This is an original variant of the Gera stool. The side supports have been stretched upward and sloped to create an Art Nouveau style line rising up from the ground. Design by Andy Rayer.

### 1 GERA BENCH

Part code	Description
30.325.800	Gera bench with untreated Kambala parts, steel. Powdercoated in Ral 7016, anthracite grey

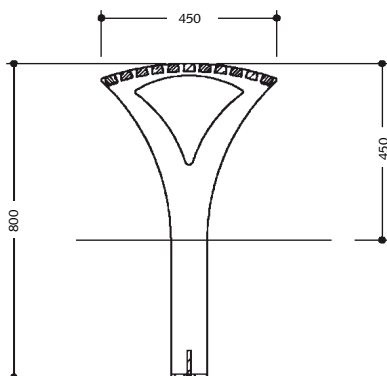
### 2 GERA STOOL

Part code	Description
30.315.800	Gera chair with untreated Kambala sit parts

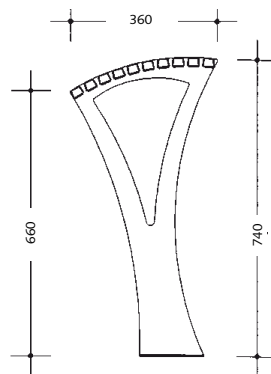
### 3 GERA LEANING STOOL

Part code	Description
30.305.800	Gera leaning stool with untreated Kambala sit parts

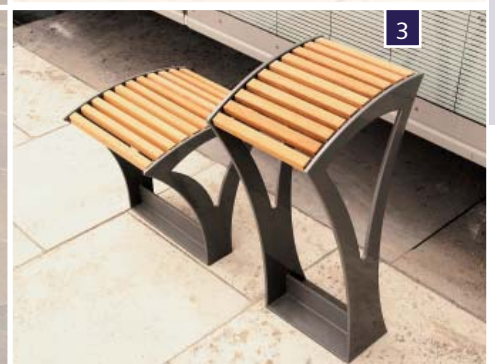
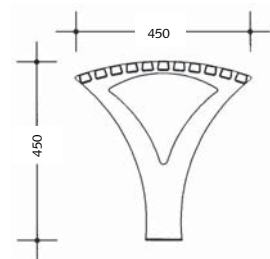
bench, Part code 30.325.800



seat, Part code 30.315.800



leaning seat, Part code 30.315.000





1 SINDELFINGEN	
Part code	Description
30.371.000	Sindelfingen bench with untreated Kambala seat parts
30.372.000	Sindelfingen bench with thermic treated wooden seat parts
2 HOCKENHEIM	
Part code	Description
30.335.800	Hockenheim bench with untreated wooden Kambala seat-and backparts, steel parts powdercoated in RAL 9006
30.336.800	Hockenheim bench treated wooden seat-and backparts, steel parts powdercoated in RAL 9006

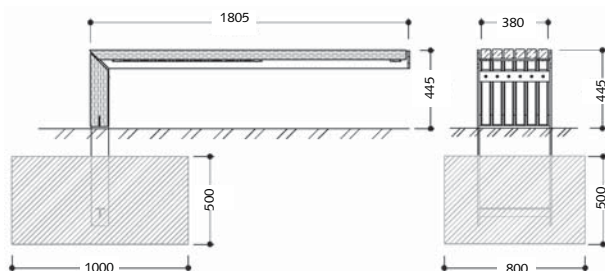
The wooden parts of the seat are available as standard in untreated Kambala wood or optionally we can supply the wood impregnated. Additionally using 'thermo wood' we have a further option.

Height 445mm, depth 380mm, length 1,805mm, designed for below ground fix into a 1,000x800x500mm footing.

### 1 SINDELFINGEN BENCH

A European style bench which brings a continental flavour to the Falco portfolio. The Sindelfingen is an extraordinarily beautiful design imitating a 'floating seat', anchored only at one end. As a result the bench has a unique lightness about it whilst making a sturdy statement. The bench is manufactured using robust welded flat steel bar with 55mm wide wooden slats.

**Sindelfingen, Part code 30.371.000 / 30.372.000**



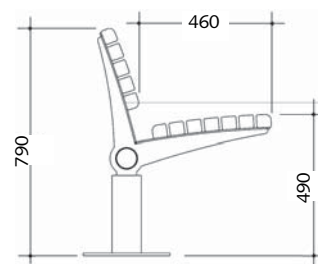
### 2 HOCKENHEIM SEAT

The Hockenheim seat is a robust design with great character, able to make a real statement in an urban environment. The contrast between the tubular supports and the square slats linked by a 'V' shaped support creates an incongruous juxtaposition of lines.

Manufactured from steel and hardwood, the wooden slats of the seat are available as standard in untreated Kambala wood or optionally we can supply the wood impregnated. Additionally using 'thermo wood' we have a further option. The steelwork is galvanised and is delivered powder coated as standard in white aluminium, comparable to RAL 9006.

Designed G Kölz.  
Height 790mm, length 2,000mm, depth 460mm, sit height 490mm.

**Hockenheim, Part code 30.335.800 / 30.336.800**





## FALCOWING

Falco has designed two benches based on a symmetrical theme creating a 'wing-like' effect. For indoor or outdoor use, both designs are robust products and utilise with FSC hardwood slats supported by steelwork. Both seats are 1,950mm long.

### 1 FALCOWING I

The FalcoWing I design is a squared off version manufactured from 10mm hot dip galvanised steel plate as a central supporting post. The support also creates a central divide in the seat. Width 400mm, sit height 469mm.

### 2 FALCOWING II

The FalcoWing II design is a rounded version with a 220mm diameter central support with welded tubes either side to support the wooden bench slats. This version creates a continuous bench without interruption. Width 400mm, sit height 450mm.

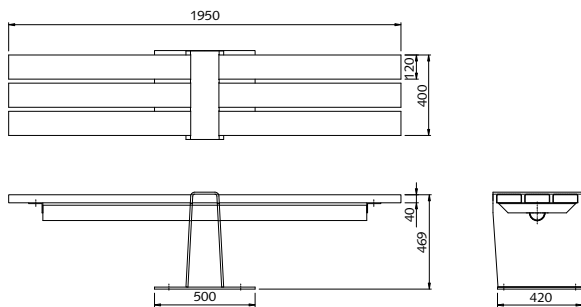


The mark of responsible forestry.

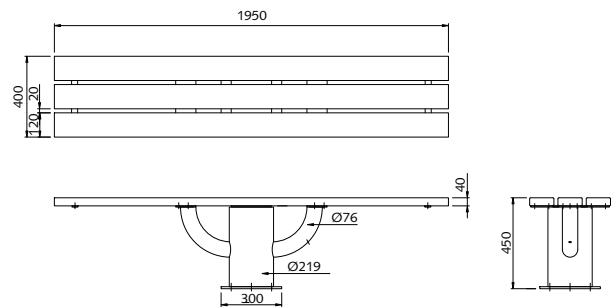
CU-COC-008530

©1996 Forest Stewardship Council

#### FalcoWing I, Part code 31.060.121



#### FalcoWing II, Part code 31.065.121



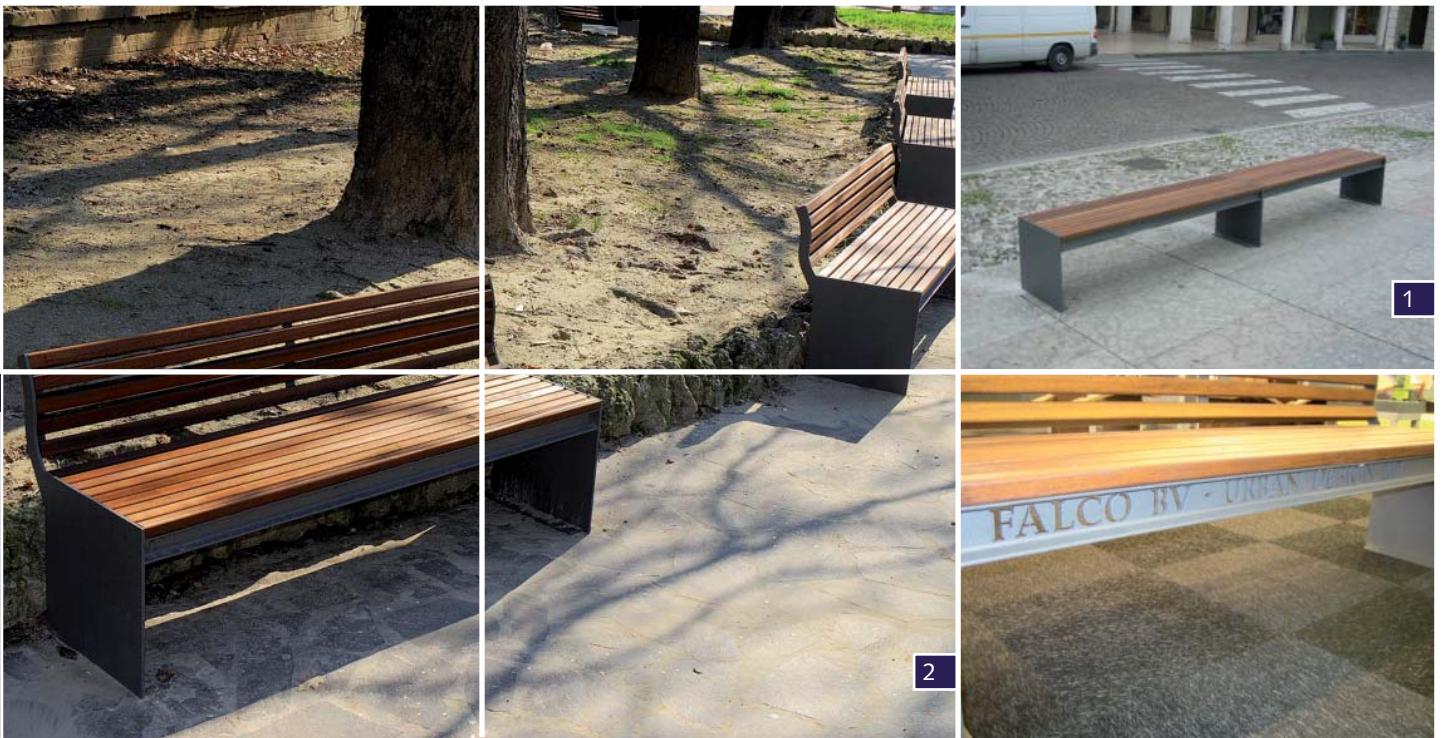
### 1 FALCOWING I

Part code	Description
31.060.121	double bench FalcoWing I with FSC hardwood, 1 middle support with base plate at ground level, bench length 1950 mm, large 400 mm, height 470 mm
31.060.700	additional charge for powercoating steel parts in RAL
96.091.357	concrete foot 595x300x300 mm

### 2 FALCOWING II

Part code	Description
31.065.121	double bench FalcoWing II with FSC hardwood, 1 round middle support with base plate 300x300 mm at ground level, bench length 1950 mm, large 400 mm, height 450 mm
31.065.700	additional charge for powercoating steel parts in RAL
96.400.200	concrete foot 300x500x500 mm





1	CIMA BENCH	
Part code	Description	
37.720.800*	Cima bench, seat of hardwood slats, steel construction powdercoated in RAL	
37.720.810*	Cima bench with logo on front, seat of hardwood slats, steel construction powdercoated in RAL	
2	CIMA SEAT	
Part code	Description	
37.721.800*	Cima seat, seat and back of hardwood slats, steel construction powdercoated in RAL	
37.721.810*	Cima seat with logo on front, seat and back of hardwood slats, steel construction powdercoated in RAL	
<b>You can choose from 11 standard colours:</b>		
RAL 1007, daffodil yellow	RAL 3000, fire red	
RAL 3005, wine red	RAL 4004, violet bordeaux	
RAL 5013, cobalt blue	RAL 6009, pine green	
RAL 6005, moss green	RAL 6029, mint green	
RAL 7016, anthracite grey	RAL 9005, deep black	
RAL 9007, grey aluminium		

## CIMA

The Cima seat is a real creative product. It has a unique option in that place/street names or any motif can be laser cut into the steelwork of the leading edge.

The design of the seat makes it ideal for use in multiple banks or alternatively, interspersed with co-ordinating planters.

The range comes in 11 standard RAL colours as shown.

### 1 CIMA BENCH

The Cima bench shows off the clean, minimalist lines of the range. It uses rigid rectangular steel side frames linked using hardwood slats across the bench and a joist front and back to provide support. Length 1,500mm, sit height 410mm, depth 400mm.

### 2 CIMA SEAT

The Cima seat uses the bench as a template, with the backrest rising out from the side profiles, again linked using hardwood slats. Length 1,500mm, height 674mm, depth 510mm.

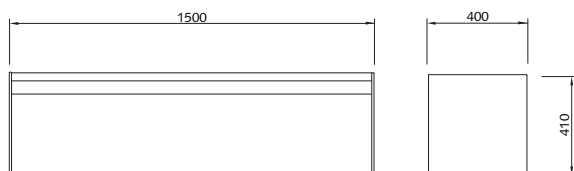
## CIMA CO ORDINATED PRODUCTS

Litter bins page no. 86.

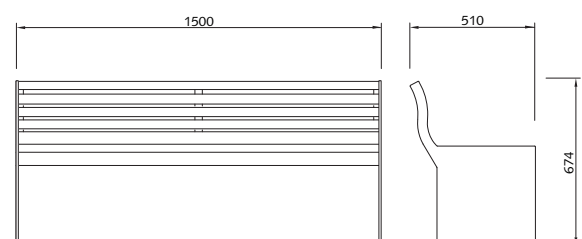
Bollards page no. 117.

Planters page no. 132.

**Cima bench, Part code 37.720.800**



**Cima seat, Part code 37.721.800**





**1 AFRA**

This seat blends traditional hardwood slats, with a modern steel frame, which enables it to be used in any urban environment.

The steel frame is hot dipped galvanized and can be polyester powder coated in a range of 11 RAL colours.



**2 ASIA**



The Asia seat is a design which is both elegant and regal looking. With its long sweeping wooden backrest continuing to the ground, the Asia seat has an oriental feel and looks perfectly at home when placed in a position of importance within a design scheme.

The seat also has two central armrests to give it an individual look and use from the two individual space seats, encouraging people to sit together but with a comfort factor.

The curved back and arm rest coupled with a flat sitting element make the seat a very comfortable piece of furniture. The seat and

**1 AFRA**

Part code	Description
37.780.800*	Afra seat with back and seat in hardwood slats, length 2040 mm, width 450 mm, galvanised and powder coated in the RAL colours listed below

**You can choose from 11 standard colours:**

RAL 1007, daffodil yellow	RAL 3000, fire red
RAL 3005, wine red	RAL 4004, violet bordeaux
RAL 5013, cobalt blue	RAL 6009, pine green
RAL 6005, moss green	RAL 6029, mint green
RAL 7016, anthracite grey	RAL 9005, deep black
RAL 9007, grey aluminium	

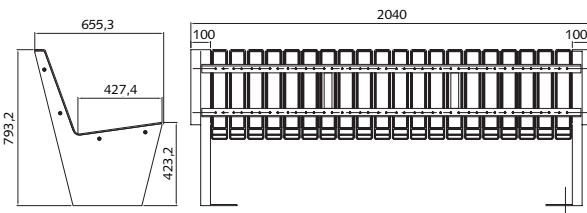
**2 ASIA**

Part code	Description
37.480.800	Asia seat, with backrest and four arm rests, with mahogany wood slats, galvanised and powder coated in a standard RAL colour

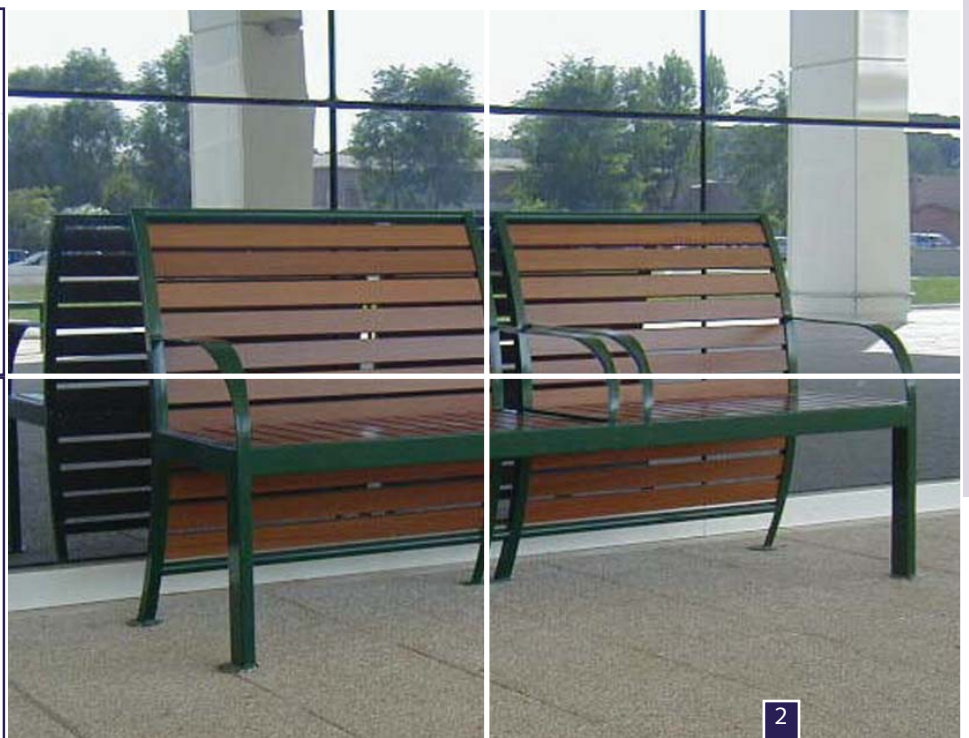
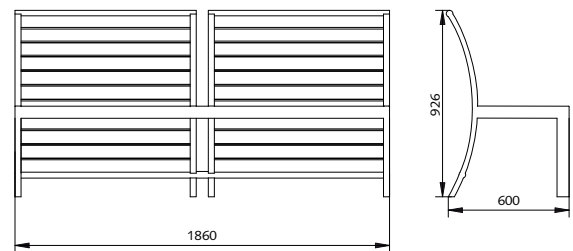
back rest are both manufactured from mahogany mounted on a robust steel frame which is galvanised and powder coated in a standard RAL colour.

The seat is 1860mm long and 900mm high with a depth of 600mm. Design: Alessandro Riberti, by Modo.

**Afra, Part code 37.780.800**



**Asia, Part code 37.480.800**





## 1 FALCORELAX BENCH

Part code	Description
31.502.021	FalcoRelax single sided bench with 2 supports
31.502.700	additional charge for powdercoating steel construction in a RAL colour
31.504.021	FalcoRelax single sided bench with 3 supports
31.504.700	additional charge for powdercoating steel construction in a RAL colour

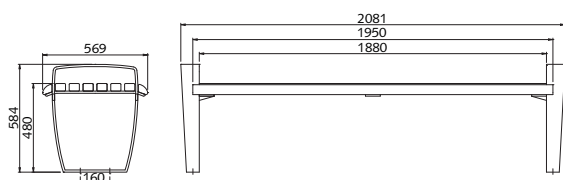
## 2 FALCORELAX SEAT

Part code	Description
31.500.021	FalcoRelax single sided seat with 2 supports
31.500.700	additional charge for powdercoating steel construction in a RAL colour
31.501.021	FalcoRelax single sided seat with 3 supports
31.501.700	additional charge for powdercoating steel construction in a RAL colour

### FALCORELAX

The FalcoRelax family of seating has real design character and depth. The blend of gentle curves from the legs up across the seat and back of the chair create a very harmonious design feel – and a very relaxing seat! All the products in the range are manufactured from robust steel plate, hot dip galvanised to BS EN ISO 1461.

#### Part code 31.502.021



The seating is made from FSC hardwood slats.

The steelwork can be optionally polyester powder coated in any of the 192 colours of the RAL register.



© The mark of responsible forestry.

CU-COC-008530

©1996 Forest Stewardship Council

## 1 FALCORELAX BENCH

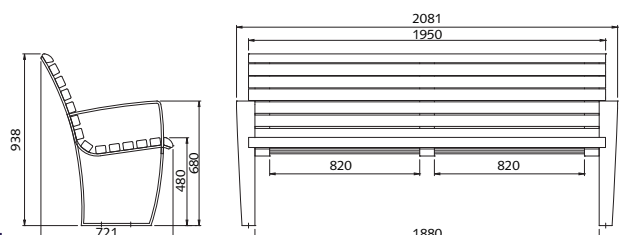
A very compact, neat and inviting bench design with beautiful lines. A standard element is 2,080mm overall, with a sit height of 584mm and a width of 569mm, however a middle support can be added as required.

## 2 FALCORELAX SEAT

The FalcoRelax is probably one of the most relaxing seats for outdoor use.

The 'warm to touch' wood and contoured backrest make the seat a joy to rest in. A standard element with two supports is 2,081mm overall width, height 938mm, sit height 680mm, depth 721mm. Also available with a third middle support.

#### Part code 31.500.021





## 1 FALCORELAX DOUBLE SIDED SEAT

The FalcoRelax double sided seat adds another dimension to the product range. It is now possible to design a scheme in which the seating is flexible enough to accommodate any combination of vistas. The double sided version of the seat is majestic and solid whilst retaining the elegance of the design.

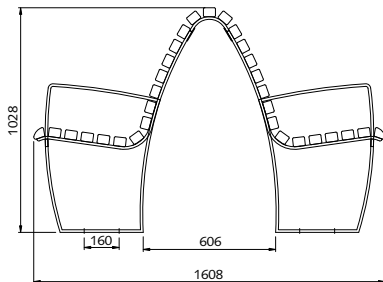
The seating is made from untreated FSC hardwood slats with steelwork hot dip galvanised to BS EN ISO 1461 which can be optionally polyester powder coated in any of the 192 colours of the RAL register. A standard element of the double sided FalcoRelax is 2,081mm overall, height 1,028mm, sit height 680mm, width 1,608mm. Also available with a third middle support.

## 2 FALCORELAX LONG SEAT

The long seat was developed in response to the need for a stylish bench which would hold its own in a grand park or large open space where smaller benches look overshadowed, hence a 3,000mm long seat (or more) can be created.

By using a 'starter' seat with 'add-ons' you can create your own Relax as long as you wish; using a 2m starter (with 3 supports) with 2m add-on (2 supports) . This can be done for single, with back and double.

### Part code 31.506.021



## 1 FALCORELAX DOUBLE SIDED SEAT

Part code	Description
31.506.021	FalcoRelax double sided seat with 2 supports
31.506.700	additional charge for powdercoating steel construction in a RAL colour

## 2 FALCORELAX LONG SEAT

Part code	Description
31.511.021	FalcoRelax long starter seat with 3 supports
31.511.700	additional charge for powdercoating steel construction in a RAL colour
31.512.021	FalcoRelax long add-on seat with 2 supports
31.512.700	additional charge for powdercoating steel construction in a RAL colour

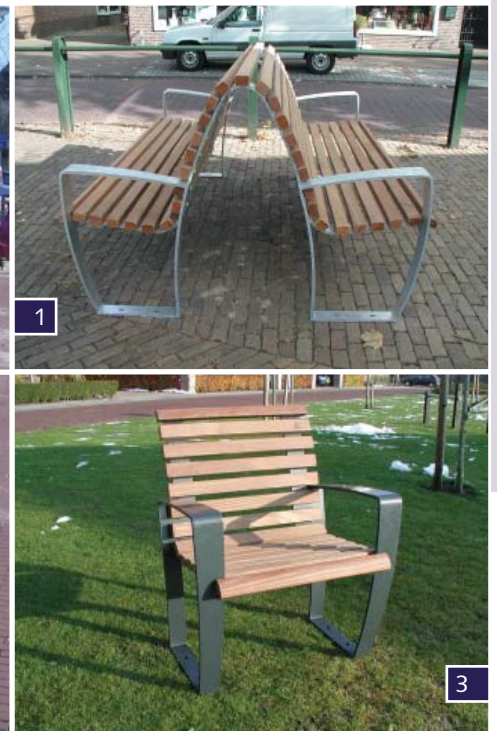
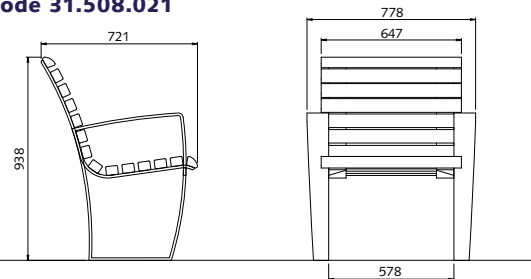
## 3 FALCORELAX CHAIR

Part code	Description
31.508.021	FalcoRelax chair with back with 2 supports
31.508.700	additional charge for powdercoating steel construction in a RAL colour

## 3 FALCORELAX CHAIR

To complete the range, the FalcoRelax is also available as a chair for individual seating where there is a need for creating space for each other. The chair is constructed in the same manner as the whole range but with a width of 778mm.

### Part code 31.508.021





1 ALBATROS SEAT (CONCRETE)	
Part code	Description
37.800.008*	Albatros seat, with seat and back in steel rod
37.801.004*	Albatros seat, with seat and back in impregnated Pine
37.802.002*	Albatros seat, with seat and back in varnished hardwood
37.803.006*	Albatros seat, with seat and back in elliptical tubing 60x30 mm

2 ALBATROS BENCH (CONCRETE)	
Part code	Description
37.810.108*	Albatros bench without back, seat in steel rod
37.811.104*	Albatros bench without back, seat in impregnated Pine
37.812.102*	Albatros bench without back, seat in varnished hardwood
37.813.106*	Albatros bench without back, seat in elliptical tubing, 60x30mm

**You can choose from 11 standard colours:**

RAL 1007, daffodil yellow	RAL 3000, fire red
RAL 3005, wine red	RAL 4004, violet bordeaux
RAL 5013, cobalt blue	RAL 6009, pine green
RAL 6005, moss green	RAL 6029, mint green
RAL 7016, anthracite grey	RAL 9005, deep black
RAL 9007, grey aluminium	

## ALBATROS

The attractive Albatros range of seating is based on a laser cut side frame with a graceful theme resonant of a bird in flight.

The products provide much choice with benches and seats with backrests in a variety of materials (stainless, wood, mesh and rod) with optional mounting arrangements.

### 1 ALBATROS SEAT (CONCRETE)

The seat includes two round concrete bases and a steel reinforced 6mm thick frame. Length 1,815 mm.

Overall dimensions: mm 2,350x710x760h. The seat and back are in steel rod grid Ø8 mm or alternatively hardwood or Pine rectangular seating boards with rounded edges measuring 1,800x55x35 mm.

The seating boards are individually fixed to the frame.

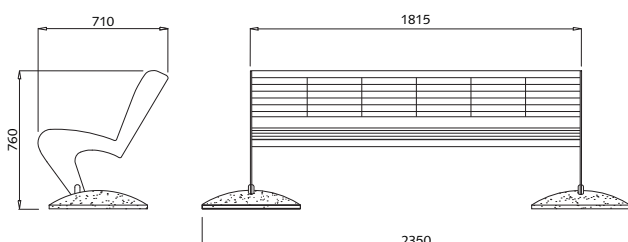
Available with hardwood boards, Pine, 8mm steel rods, or with attractive rounded horizontal tubing. The illustration shows the bench with a seating and back of 8mm steel rods.

### 2 ALBATROS BENCH (CONCRETE)

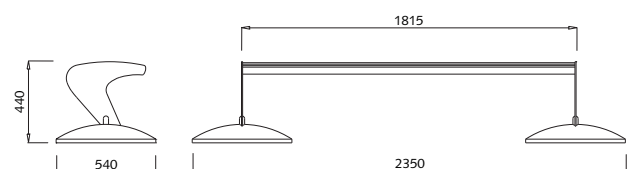
The bench comprises of two round concrete bases and a steel reinforced 6mm thick frame. Length 1,815 mm. Overall dimensions: mm 2350x540x440h. Available with hardwood or Pine boards, 8mm steel rods, or with attractive rounded horizontal tubes. The illustration 2A shows the bench with seating in hardwood.

**N.B.** Also available curved in its' length and with wall fixed seat.

#### Albatros seat



#### Albatros bench





**1 ALBATROS SEAT (STEEL TUBING)**

The seat includes two base plates for surface fixing and a reinforced 6mm thick frame. Length 1,815 mm.

Overall dimensions: mm 1,925x710x760h.

Available with hardwood or Pine boards, 8mm steel rods, or with attractive rounded horizontal tubing. Photo 1 has seating and back boards in hardwood.

**2 ALBATROS BENCH (STEEL TUBING)**

The bench includes two base plates for surface fixing and a reinforced 6mm thick frame. Length 1,925 mm.

Overall dimensions: mm 1,925x430x440h. Available with hardwood or Pine boards, 8mm steel rods, or with attractive rounded horizontal tubing. Photo 2A shows the bench with 8mm steel rods, photo 2B has seating in hardwood.

**3 ALBATROS, WALL BENCH**

This is the wall mounted version of the Albatros seat range, with a beautiful adaptation without legs.

Requires a sturdy wall to bolt to.

**4 ALBATROS, STAINLESS STEEL**

An elegant seat leaning backwards.

With stainless steel side supports (quality 316). Available with hardwood slats (photo 4) or tubes 60x30 mm.

The side supports are laser cut and have oval base plates.

Dimensions: 1815x760x710 mm.

**\* THERE ARE 11 STANDARD COLOURS AVAILABLE:**

See details on opposite page.

1 ALBATROS SEAT (STEEL TUBING)	
Part code	Description
37.805.008*	Albatros seat in round 8mm steel rod
37.806.004*	Albatros seat in impregnated Pine
37.807.002*	Albatros seat in varnished hardwood
37.808.006*	Albatros seat in elliptical tubes, 60x30mm
2 ALBATROS BENCH (STEEL TUBING)	
Part code	Description
37.815.108*	Albatros bench without back, seat in round 8mm steel rod
37.816.104*	Albatros bench without back, seat in impregnated pine
37.817.102*	Albatros bench without back, seat in varnished hardwood
37.818.106*	Albatros bench without back, seat in elliptical tubing 60x30mm
3 ALBATROS WALL BENCH	
Part code	Description
37.820.800*	Albatros bench for wall assembly, seat in 8 mm rod grid
37.822.800*	Albatros bench for wall assembly, seat and back out of varnished hardwood
4 ALBATROS, STAINLESS STEEL	
Part code	Description
05.807.000	Albatros seat, with back and seat in hardwood, weigh 58 kg
05.808.000	Albatros seat, with back and seat in tubes 60x30 mm, weigh 58 kg.





**1 TAURUS (CONCRETE SUPPORTS)**

Part code	Description
37.840.800*	Taurus seat, seat and back in steel rod grid 8 mm
37.842.800*	Taurus seat, seat and back in varnished hardwood
37.843.800*	Taurus seat, seat and back in elliptical tubing of 60x30 mm
37.850.800*	Taurus bench, seat in steel rod grid 8 mm
37.852.800*	Taurus bench, seat in varnished hardwood
37.853.800*	Taurus bench, seat in elliptical tubing of 60x30 mm

**2 TAURUS (BASE PLATES)**

Part code	Description
37.845.800*	Taurus seat, seat and back in round 8 mm steel rod
37.847.800*	Taurus seat, seat and back in varnished hardwood
37.855.800*	Taurus bench, seat in impregnated pinewood
37.857.800*	Taurus bench, seat in varnished hardwood

**You can choose from 11 standard colours:**

RAL 1007, daffodil yellow	RAL 3000, fire red
RAL 3005, wine red	RAL 4004, violet bordeaux
RAL 5013, cobalt blue	RAL 6009, pine green
RAL 6005, moss green	RAL 6029, mint green
RAL 7016, anthracite grey	RAL 9005, deep black
RAL 9007, grey aluminium	

**TAURUS SEATING**

The Taurus range is similar to the Albatros products (previous page) with a themed contoured design available in a number of variants and materials. Classic Italian design gives simplicity both depth and quality. Available with concrete side supports or with bolt down base plates. A choice of RAL colours is also available.

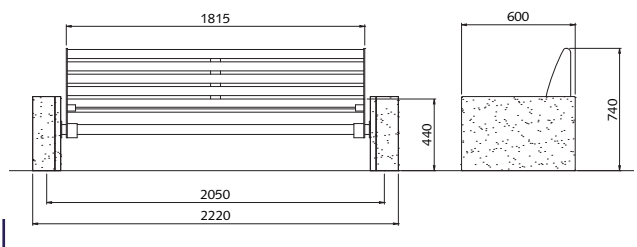
**1 TAURUS (CONCRETE SUPPORTS)**

Available as a seat or bench.  
 The seat is supported by 2 lateral half-elliptical blocks in vibrated concrete with rounded edges. The seat and back lateral supports are in sheet steel 6 mm thick and laser cut. The body of the bench structure is manufactured from steel tubing to provide a sturdy framework which is fastened to the concrete side supports.  
 Overall dimensions without back: 2,220x690x450mm sit height.  
 Overall dimensions with back: 2,220x690x740mm overall height.

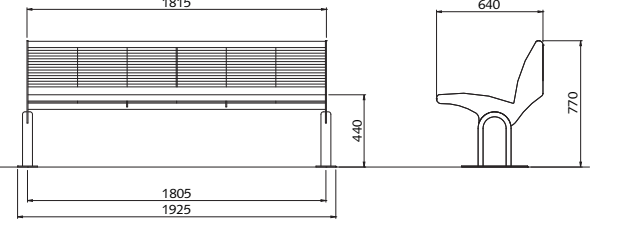
**2 TAURUS (BASE PLATES)**

Available as a seat or bench.  
 Seat with inverted U-shaped steel tubing supports to which are welded the supporting profiles for the seat and oval flanges for surfacing mounting. Sides and flanges are in 6 mm thick, laser cut sheet steel.  
 Overall dimensions without back: 1,925x500x450mm sit height.  
 Overall dimensions with back: 1,925x640x770mm overall height.

**Taurus, Part code 37.842.800**



**Taurus, Part code 37.845.800**





## FANTASY SEATING

The Fantasy seating range mirrors the Taurus range (previous page) but uses a tubular structure to create a harmonious rounded feel.

The tubing provides a lightweight feel to the seats whilst delivering a robust structure suitable for any urban environment.

Available with concrete side supports or with bolt down base plates. A choice of RAL colours is also available.

### 1 FANTASY (CONCRETE SUPPORTS)

Manufactured from Ø35 mm and 2.5 mm thick steel tubing and of non alloyed sheet steel plates 4 mm thick. The structure is fastened to the two trapezoidal shaped vibrated concrete side blocks with rounded edges. Overall dimensions bench with back: mm 1,870x700x760h, without back: mm 1,870x700x425h. Available with hardwood or Pine boards, 8mm steel rods, or with attractive rounded horizontal tubing.

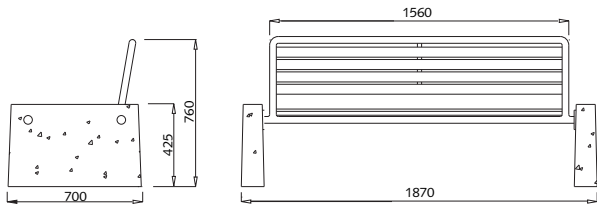
### 2 FANTASY (BASE PLATES)

The seat has a steel tubular frame Ø 35 mm and 2.5 mm thick and sheet steel plates 4 mm thick. Designed for surface mounting. Overall dimensions bench with back: mm 1,870x700x760h, without back mm 1,870x585x450h. Available with hardwood or Pine boards, 8mm steel rods, or with attractive rounded horizontal tubing.

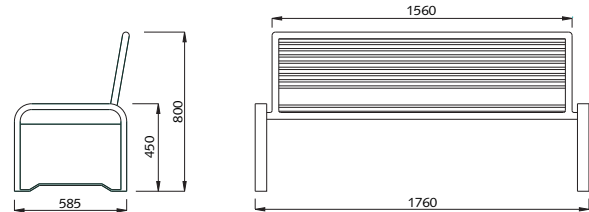
#### \* THERE ARE 11 STANDARD COLOURS AVAILABLE:

See details on opposite page.

#### Fantasy (concrete), Part code 37.860.800



#### Fantasy (steel frame), Part code 37.865.800



### 1 FANTASY (CONCRETE SUPPORTS)

Part code	Description
37.860.800*	Fantasy seat, with seat and back in steel rod
37.861.880*	Fantasy seat, with seat and back in impregnated Pine
37.862.800*	Fantasy seat, with seat and back in varnished hardwood
37.870.800*	Fantasy bench, seat in steel rod grid
37.871.800*	Fantasy bench, seat in impregnated Pine
37.872.800*	Fantasy bench, seat in varnished hardwood

### 2 FANTASY (BASE PLATES)

Part code	Description
37.865.800*	Fantasy seat, with seat and back in steel rod
37.866.800*	Fantasy seat, with seat and back in impregnated Pine
37.867.800*	Fantasy seat, with seat and back in varnished hardwood
37.875.800*	Fantasy bench, with seat in rod grid 8 mm
37.876.800*	Fantasy bench, with seat in impregnated Pine
37.877.800*	Fantasy bench, with seat in varnished hardwood





1A   FALCOTRIPLE WITH MESH	
Part code	Description
36.400.008	FalcoTriple seat, with seat and back of steel grid elements
36.400.700	additional charge for powder-coating in RAL
36.402.008	FalcoTriple bench, with seat of steel grid elements
36.402.700	additional charge for powder-coating in RAL
36.404.008	FalcoTriple table, with table top of steel grid elements
36.404.700	additional charge for powder-coating in RAL
1B   FALCOTRIPLE WITH WOOD SLATS	
Part code	Description
36.410.011	FalcoTriple seat, with seat and back of FSC hardwood
36.410.700	additional charge for powder-coating steel construction in RAL
36.412.011	FalcoTriple bench, with seat of FSC hardwood
36.412.700	additional charge for powder-coating steel construction in RAL
36.414.011	FalcoTriple table, with table top of FSC hardwood
36.414.700	additional charge for powder-coating steel construction in RAL

## FALCOTRIPLE

To create a futuristic and functional picnic set was the main idea behind this new Falco-series, consisting of a bench with or without back-rest and a table.

The end frames are laser cut to show the three leg form which gives the product its' name. Between the side supports you find solid mesh surfaces with grids of 76x15 mm. A comfortable seat which you can use any time of the year.

Between the side support you find mesh surfaces with grids of 76x15 mm (photo 1A) or FSC certified hardwood slats of 120x40 mm (photo 1B).

### 1 FALCOTRIPLE BENCH

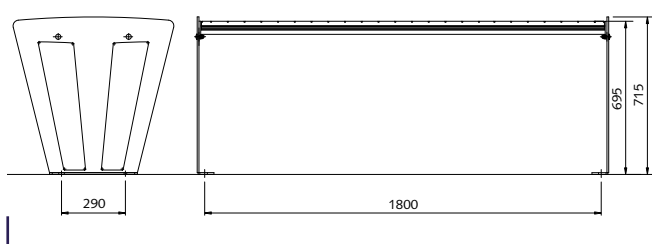
Total width 1,846 mm, seat height 430 mm, total depth 579 mm.

The benches with back has a total height of 819 mm, without back the total height is 440 mm.

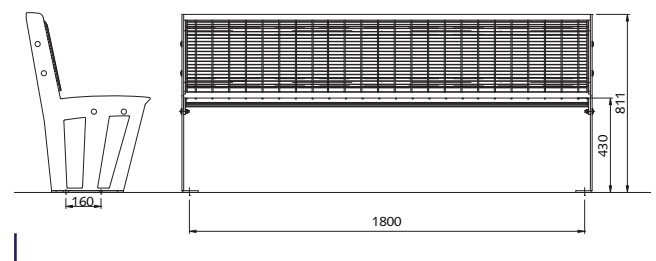
### 2 FALCOTRIPLE TABLE

Total width 1,846 mm, total height 715 mm, total depth 730 mm.

FalcoRelax table, Part code 36.404.008



FalcoTriple bench with back, Part code 36.402.008





## CRUDELIA

The Crudelia is a very elegantly designed seat seemingly from a single piece of tube creating a ledge-like seat – a simple seat which makes a statement. The Crudelia is available manufactured from robust steel rods or in a warmer hardwood finish. Steelwork is available in a choice of 11 RAL colours.

### 1 CRUDELIA (STEEL ROD)

The seat frame is manufactured in steel tubing Ø 40 mm, 2.5 mm thick, appropriately curved and welded in such a way as to produce a solid structure, not subject to deformation.

Seat and back are in steel rod grid Ø 8 mm. Overall dimensions: mm 1,880x800x785 h. Indicative weight: 48 kg.

### 2 CRUDELIA (HARDWOOD)

The seat and backrest are manufactured from hardwood slats 35x50mm shaped to fit the bench profile. Secured to bench via hidden steel support brackets.

Overall dimensions, width 1,880mm, depth 800mm, height 785mm. Indicative weight 42kg.

### 1 CRUDELIA (STEEL ROD)

Part code	Description
37.830.008	Crudelia seat in steel rod Ø8 mm, free standing, seat length 1,880 mm
37.830.800*	additional charge for powdercoating framework in a standard RAL colour*
37.839.000	anchoring base plate 435mm long

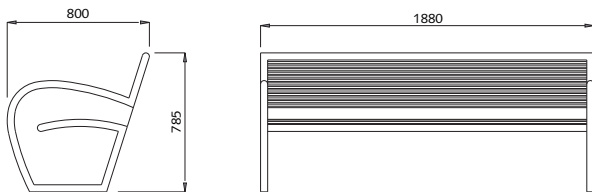
### 2 CRUDELIA (HARDWOOD)

Part code	Description
37.831.002	Crudelia seat in varnished hardwood, free standing, seat length 1,880 mm
37.831.800*	additional charge for powdercoating framework in a standard RAL colour
37.839.000	anchoring base plate 435mm long

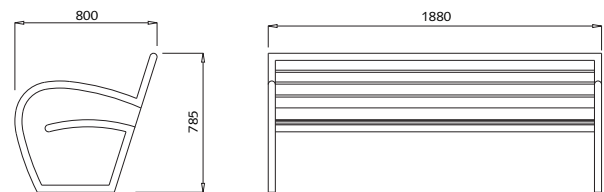
#### You can choose from 11 standard colours:

RAL 1007, daffodil yellow	RAL 3000, fire red
RAL 3005, wine red	RAL 4004, violet bordeaux
RAL 5013, cobalt blue	RAL 6009, pine green
RAL 6005, moss green	RAL 6029, mint green
RAL 7016, anthracite grey	RAL 9005, deep black
RAL 9007, grey aluminium	

Crudelia, Part code 37.830.008



Crudelia, Part code 37.831.002





1 NEO BARCINO	
Part code	Description
38.100.800	Neo Barcino seat with coated bench supports and wooden parts, length 1,800mm
38.105.800	Neo Barcino seat with coated bench supports and wooden parts, length 650mm
2 MUNICH	
Part code	Description
30.351.800	Munich seat with untreated Kambala seating and back parts
30.352.800	Munich seat with thermic treated wooden seating and back parts

**1 NEO BARCINO** **fdbline**<sup>®</sup>

The Neo Barcino seat is a functional bench which mixes a futuristic arm rests with traditional wood slats. A new design to the Falco portfolio, the Neo Barcino brings a fresh European feel and is ideal for modern developments and locations whether public or private, urban or country.

The robust steel armrests are rust resistant and the hardwood is treated. Optionally the bench is available in FSC hardwood.

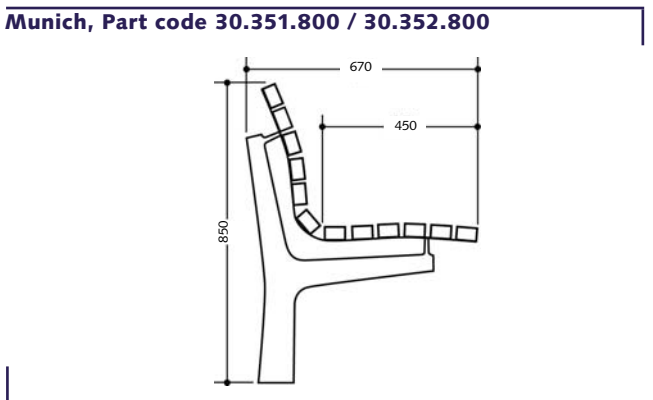
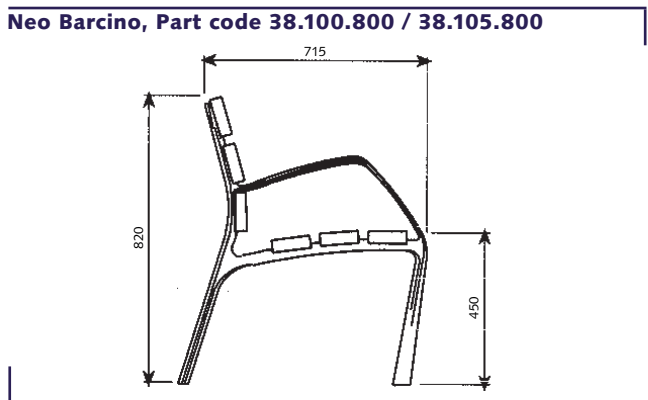
Available in 2 lengths: 650 and 1,800 mm. Height is 820mm with a sit height of 450mm. Depth is 715mm.

Design by Joaquim Carandel for Fundicio Ductil Benito.

**2 MUNICH**

The Munich seat is designed with a feeling of weightlessness in mind. The wood slats are supported from the main structure using stainless steel brackets which make the seat look as if it is hovering in mid-air – yet the design is very sturdy.

The wooden parts of the seat are manufactured from untreated ‘thermo’ wood, known for its unique characteristics. The bench is delivered in flat pack form.





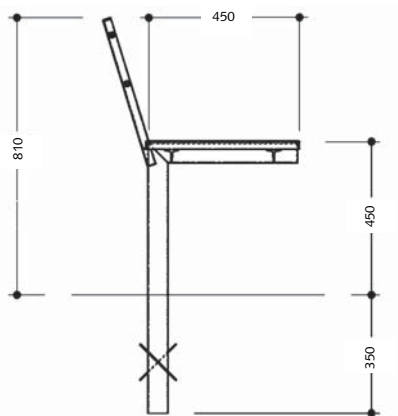
**1 JEVER SEAT**

A responsible detached design and yet has a fresh look. The mostly horizontal line is breached by the economy savings through the slats of thermo wood. This wood is especially fabricated to guarantee an extra long lifespan.

Steel work is galvanised or optionally galvanised and powder coated. Standard colour. Standard colour is anthracite grey, comparable with DB 703. With lengthened foot to concrete.

Height above ground level 810 mm, 350 mm below ground level, length 1730 mm, depth 450 mm, sit height 450 mm.

**Jever, Part code 30.347.800**



**2 NAOS**



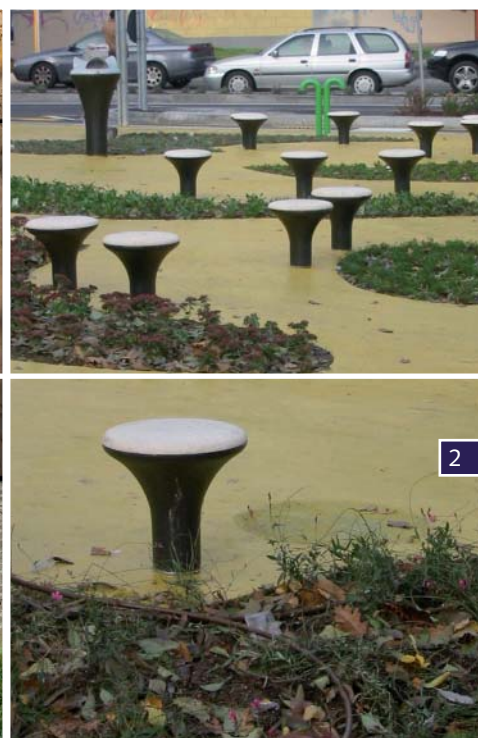
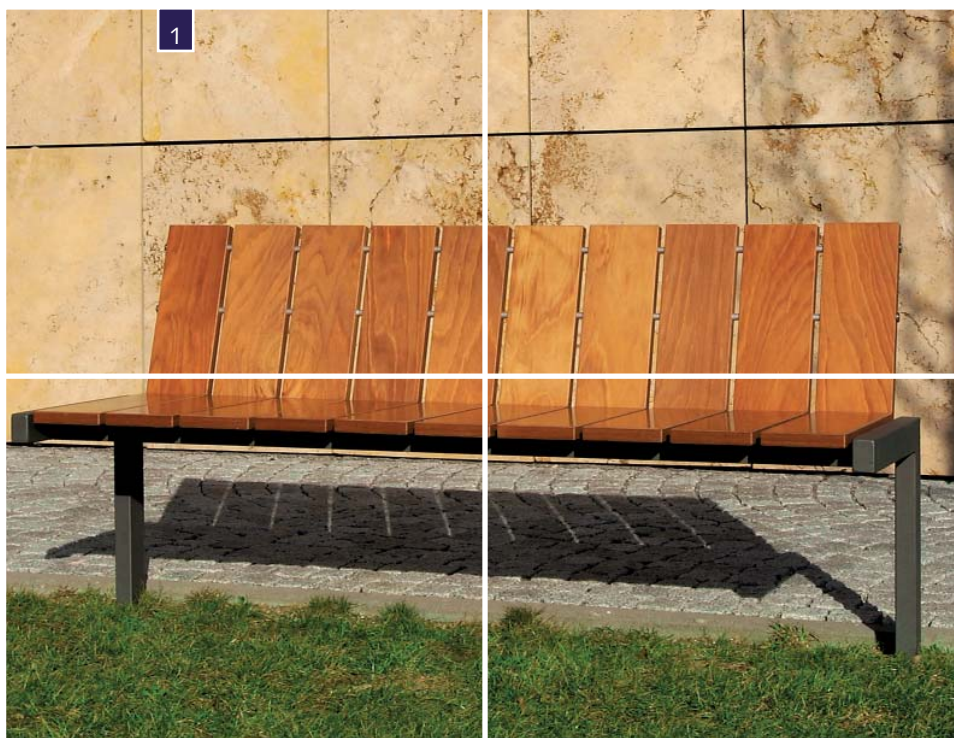
The Naos 'perch' stool is a single seat which is both stylish and unobtrusive. Manufactured from cast iron, it has a sculptural feel and is ideal for punctuating areas where a brief rest may be required. Additionally the top of the Naos stool is available in Iroko wood, marble, granite or perforated steel so that it can be used inside or out, to complement any number of design schemes.

Additionally a stainless steel ring defines its contact point with the ground giving the Naos a 'classy' feel.

The cast iron is protected against rusting and powder coated in silver, charcoal grey or metallic bronze.

The Naos is also available as a long bench plus there are a number of other co-ordinated products such as the Pandora litter bin which enable a co-ordinated street scene to be developed.

1 JEVER	
Part code	Description
30.347.800	Jever seat with PAG-wooden sit and back parts, steel parts powder coated with DB 703, anthracite grey
2 NAOS	
Part code	Description
37.460.800	Naos stool with cast iron footing and mahogany seat. Base powder coated in RAL colour
37.461.800	Naos stool with cast iron footing and Vicenza stone seat. Base powder coated in RAL colour





1 FALCOBLOC BENCH	
Part code	Description
31.055.121	FalcoBloc bench without back, free standing
31.055.700	additional charge for powdercoating steel construction in a RAL colour
31.056.121	FalcoBloc bench without back, with strip for mounting on concrete
31.056.700	additional charge for powdercoating steel construction in a RAL colour

2 FALCOBLOC SEAT	
Part code	Description
31.059.121	FalcoBloc seat with back, with strip for mounting on concrete
31.059.700	additional charge for powdercoating steel construction in a RAL colour
31.058.121	FalcoBloc seat with back, free standing
31.058.700	additional charge for powdercoating steel construction in a RAL colour

**FALCOBLOC RANGE**

The FalcoBloc range of products are very popular due to their absolute simplicity of design and quality of construction. An incredibly sharp and neat design, the FalcoBloc is a versatile shape and blends well into both modern and traditional settings.

Manufactured from FSC certified hardwood and robust steel framework, hot dip galvanised to BS EN ISO 1461, the FalcoBloc can be utilitarian in style or when powder coated in any of the 192 standard RAL colours, create a real dominant statement.

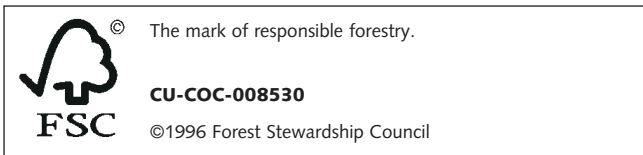
The framework is manufactured in 80mm square section and all the products in the range can be supplied either free standing or with an additional strip for bolting to a concrete base.

**1 FALCOBLOC BENCH**

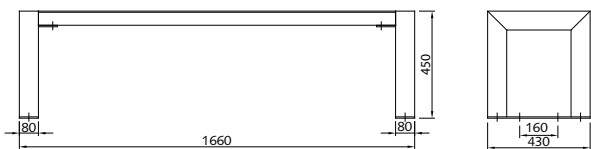
The FalcoBloc bench without a back is a really functional and versatile product: length 1,660mm, sit height 450mm, depth 430mm.

**2 FALCOBLOC SEAT**

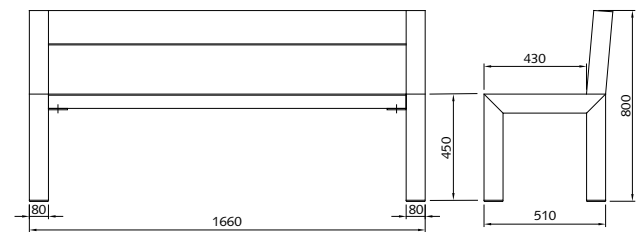
The FalcoBloc seat with a back provides that extra chunk of comfort: length 1,660mm, overall height 800mm, sit height 450mm, depth 510mm.



**FalcoBloc, Part code 31.056.121**



**FalcoBloc, Part code 31.058.121**





### 1 FALCOBLOC STOOL

The FalcoBloc stool is a neat shortened version of the FalcoBloc bench ideal for individual seating arrangements.  
Length 600mm, sit height 450mm, depth 430mm.

### 2 FALCOBLOC TABLE

The FalcoBloc table is a natural addition to the FalcoBloc range providing the flexibility to create great patio areas for drinking or snacking.  
Length 1,700mm, height 750mm, depth 725mm.

### 3 FALCOBLOC PICNIC TABLE

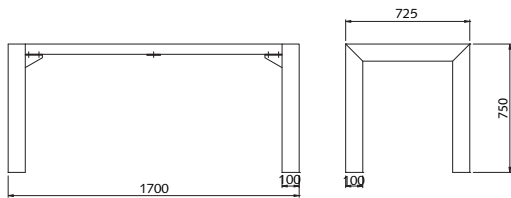
The FalcoBloc picnic table is a great modern, stylish alternative to the traditional all wood tables found in many parks and pubs in the UK.  
Length 1,700mm, width overall 1,565mm.



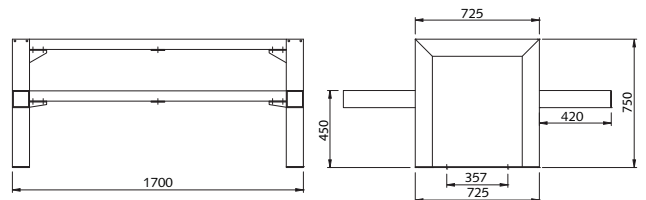
### CO-ORDINATED PRODUCTS

Planters page no. 135.

#### FalcoBloc, Part code 31.057.121



#### FalcoBloc, Part code 31.040.121



1 FALCOBLOC STOOL	
Part code	Description
31.053.121	FalcoBloc stool without back, free standing
31.053.700	additional charge for powdercoating steel construction in a RAL colour
31.054.121	FalcoBloc stool without back, with strip for mounting on concrete
31.054.700	additional charge for powdercoating steel construction in a RAL colour
2 FALCOBLOC TABLE	
Part code	Description
31.057.121	FalcoBloc table, free standing
31.057.700	additional charge for powdercoating steel construction in a RAL colour
31.052.121	FalcoBloc table, with strip for mounting on concrete
31.052.700	additional charge for powdercoating steel construction in a RAL colour
3 FALCOBLOC PICNIC TABLE	
Part code	Description
31.040.121	FalcoBloc picnic table, free standing
31.040.221	FalcoBloc picnic table, with strip for mounting on concrete
31.040.700	additional charge for powdercoating steel construction in a RAL colour





1 FALCOCUBE STOOL	
Part code	Description
31.400.121	FalcoCube stool 480mm x 480mm
31.400.700	additional charge for powdercoating steel construction in a RAL colour
2 FALCOCUBE CHAIR	
Part code	Description
31.420.121	FalcoCube chair 480x570 mm
31.420.700	additional charge for powdercoating steel construction of stool in a RAL colour

**FALCOCUBE**

The FalcoCube range of products make a real statement about wood. Manufactured from substantial 80mm thick FSC certified hardwood, the FalcoBloc family is solid and refined. A gentle scoop at the front of the seats gives the products a defining profile and makes the functionality of the range complement the style.

Along with complementary planters and litter bins, the Falco range of wood based products gives designers a real choice when wishing to use natural materials.

The framework is all hot dip galvanised steel and can be polyester powder coated in any of the 192 RAL colours.

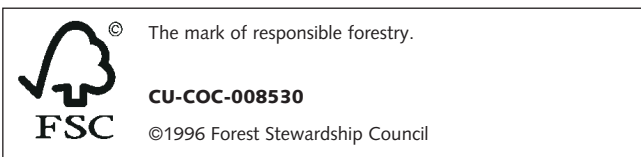
**1 FALCOCUBE STOOL**

The FalcoCube stool is a chunky and robust seat, dimensions: width 480mm, depth 480mm, sit height 470mm.

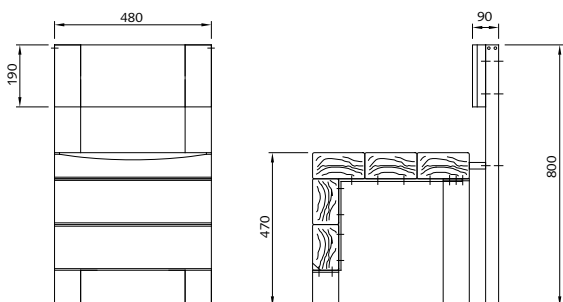
**2 FALCOCUBE CHAIR**

The FalcoCube chair is an extension of the FalcoCube stool. With the addition of a backrest we have provided an additional level of comfort to the range.

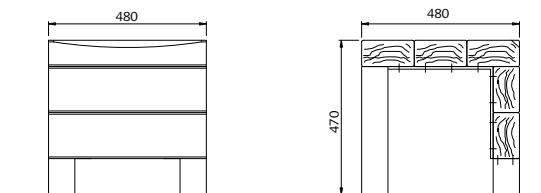
Dimensions: width 480mm, depth 570mm, overall height 800mm.



Part code 31.400.121 and 31.420.221



Part code 31.400.121





## 1 FALCOCUBE BENCH SINGLE SIDED

The FalcoCube single sided bench is a development of the FalcoCube stool design, extending the theme to 1.2m. These are an ideal product for precincts and shopping centres, creating a solid statement and blending well with natural stone floors whilst offering little to vandals.

Dimensions: length 1,200mm, sit height 470mm, depth 480mm.

## 2 FALCOCUBE BENCH DOUBLE SIDED

The FalcoCube double sided version of the bench is an incredibly solid and sturdy looking piece of furniture. Great for malls or for semi secure street environments, for providing mass seating for shoppers and pedestrians.

Dimensions: length 1,600mm, sit height 470mm, depth 740mm.

## 1 FALCOCUBE BENCH SINGLE SIDED

Part code	Description
31.405.121	FalcoCube bench single sided length 1,200mm, depth 480mm
31.405.700	additional charge for powdercoating steel construction in a RAL colour

## 2 FALCOCUBE BENCH DOUBLE SIDED

Part code	Description
31.410.121	FalcoCube bench double sided length 1,600mm, depth 740mm
31.410.700	additional charge for powdercoating steel construction in a RAL colour

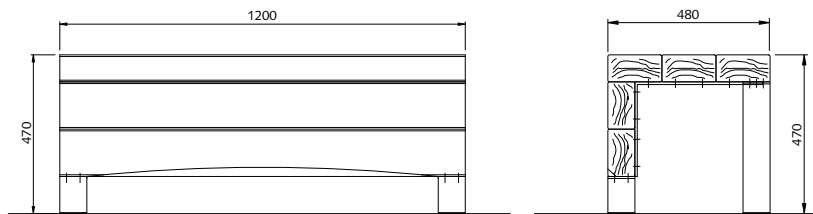


The mark of responsible forestry.

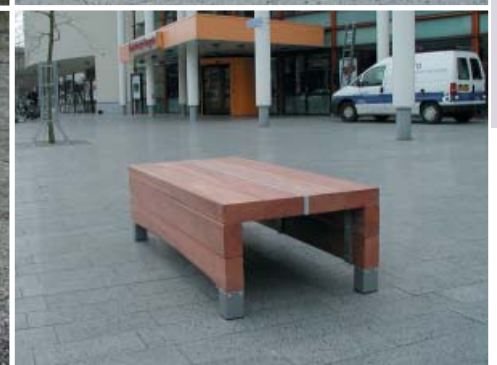
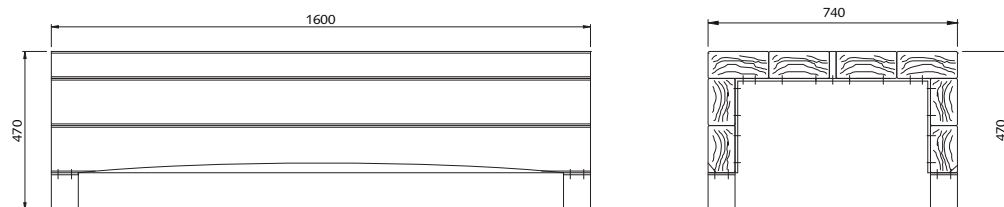
CU-COC-008530

©1996 Forest Stewardship Council

### Part code 31.405.121



### Part code 31.410.121





1 KOCHLIAS	
Part code	Description
37.710.800*	Kochlias seat, straight with hardwood slats, dims 1,980x880x810mm, powder coated in RAL colour
37.713.800*	Kochlias seat, round tubing, dims 3,750x1,350x810mm, powder coated in RAL colour

2 URBIS	
Part code	Description
37.715.800*	Urbis bench without back, with hardwood slats, dims 1,800x450x450mm, powder coated in RAL colour
37.716.800*	Urbis seat with back, with hardwood slats, dims 1,800x850x450mm, powder coated in RAL colour

**You can choose from 11 standard colours:**

RAL 1007, daffodil yellow	RAL 3000, fire red
RAL 3005, wine red	RAL 4004, violet bordeaux
RAL 5013, cobalt blue	RAL 6009, pine green
RAL 6005, moss green	RAL 6029, mint green
RAL 7016, anthracite grey	RAL 9005, deep black
RAL 9007, grey aluminium	

### 1 KOCHLIAS

The Kochlias seat is a new product for the Falco range from the Italian City Design collection. With classical lines and cast end supports the seat has a great timeless feel.

The seat is available in two versions; as an exotic hard wood bench or utilising round steel tubes for the seat and backrest.

The cast supporting legs are manufactured from corrode resistant aluminium. The seat and back are in exotic hard wood staves with rectangular cross-section 50 x 40mm with rounded edges, or with staves having curved cross-section 35mm thick or in profiled steel tubing staves Ø40mm.

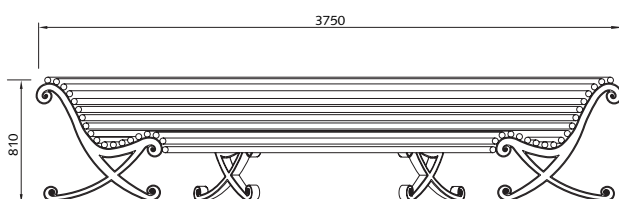
### 2 URBIS

Also from City Design, the Urbis seat also has a classical feel but with clean lines, this is another new model in the Falco range.

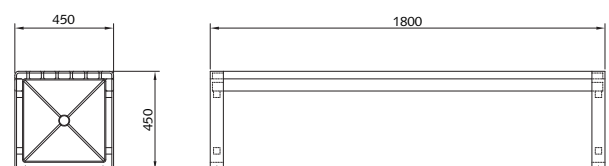
The Urbis has a sleek design with nostalgic details.

The backrest is slightly bent backwards for a pleasant seat and as with most Falco seating, the Urbis also available as a bench without a backrest. The seat is equipped with two metal plates (one on each support) for bolting to the ground.

**Kochlias, Part code 37.713.800**



**Urbis without back, Part code 37.715.800**





## 1 VALENTINO

The Valentino seat is a well known European design, evoking the 19th Century and the development of public parks and streetscapes.

The design is very robust with main seat supports in cast iron and these are connected using wooden slats for the seat and backrest.

There are two main designs in the range – with or without arm rests. The cast iron supports are coated black and the standard wood is Iroko hardwood (pine also available). The seat is designed for bolt down and requires assembly.

Dimensions: length 1,700mm or 2,000mm, sit height 420mm, overall height 695mm.

## 2 VIENNA

The Vienna seat is a nostalgic design with pine wood slats for the seat, making a comfortable design for a park seat.

It is available in a length of 1,620mm for approximately 3 people. The seat supports/legs are manufactured from cast aluminium, creating a lighter feel, which are coated in a standard colour.

A table is also available for this design.

## 1 VALENTINO

Part code	Description
37.730.004	Valentino seat with back, length 1700 mm, in impregnated pine
37.731.002	Valentino seat with back, length 1700 mm, in treated hardwood
37.735.004	Valentino seat with back, length 2000 mm, in impregnated pine
37.736.002	Valentino seat with back, length 2000 mm, in treated hardwood
37.736.202	Valentino seat with back and 2 armrests, length 2000 mm, in treated hardwood

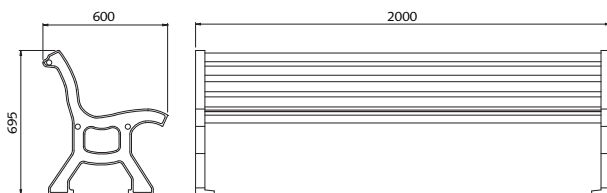
## 2 VIENNA

Part code	Description
37.880.800*	Vienna seat, with pine wood slats, length 1,620 mm, powder coated in RAL colour
37.881.800*	Vienna table with pine wood slats, length 1,500mm, depth 710mm, powder coated in RAL colour

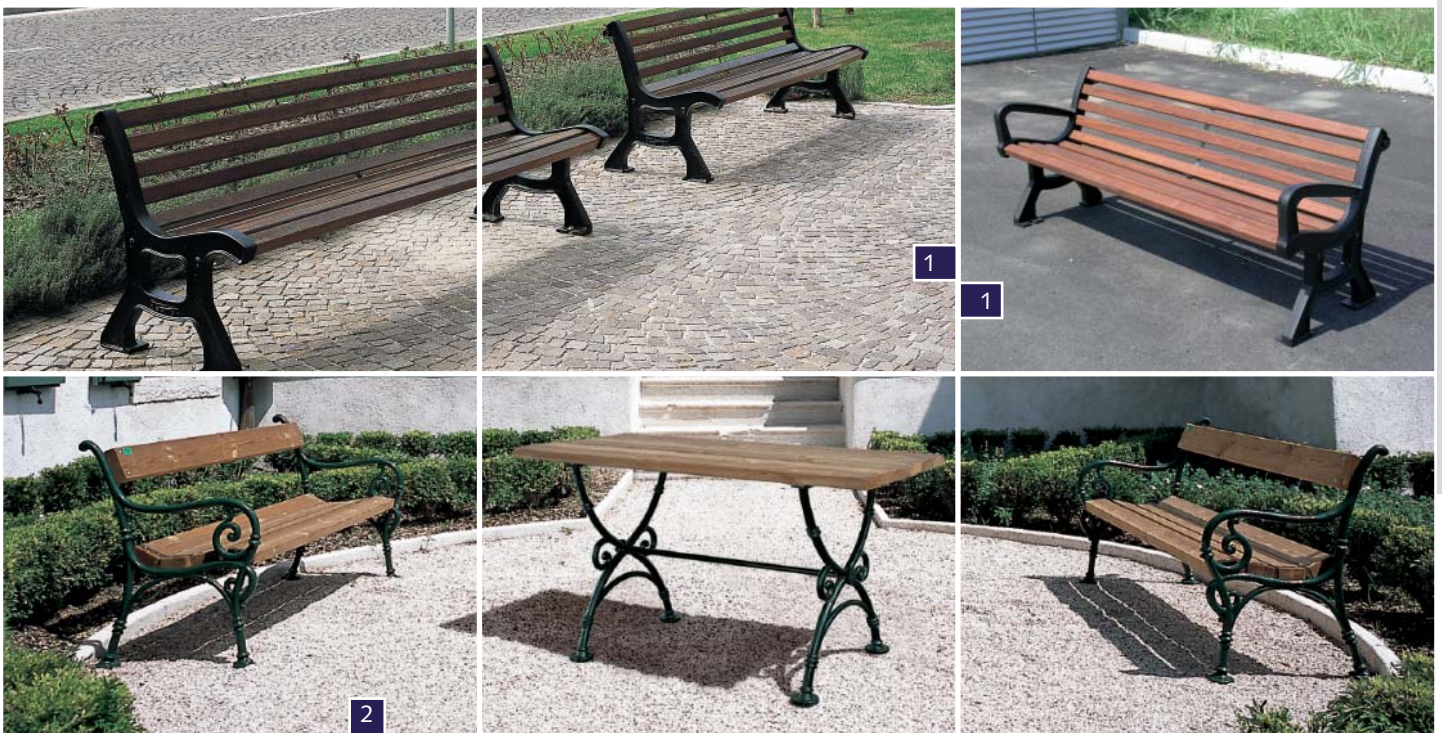
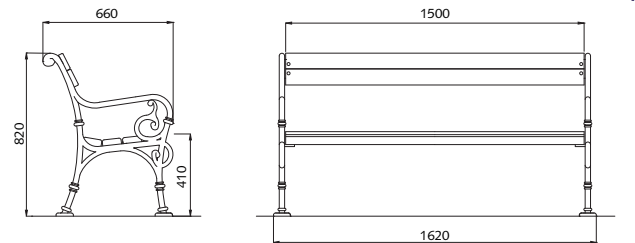
### You can choose from 11 standard colours:

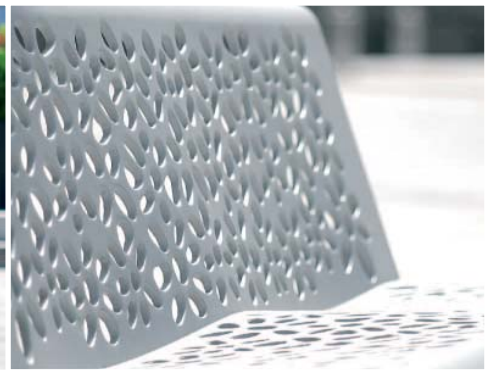
RAL 1007, daffodil yellow	RAL 3000, fire red
RAL 3005, wine red	RAL 4004, violet bordeaux
RAL 5013, cobalt blue	RAL 6009, pine green
RAL 6005, moss green	RAL 6029, mint green
RAL 7016, anthracite grey	RAL 9005, deep black
RAL 9007, grey aluminium	

### Valentino, Part code 37.736.002



### Vienna, Part code 37.880.800





MONET	
Part code	Description
37.725.800*	Monet seat, seat and back of aluminium, length 1300 mm, powdercoated in RAL
37.725.820*	Monet seat, seat and back of cast iron, length 1300 mm, powdercoated in RAL
37.726.800*	Monet seat, with supports of aluminium, length 1300 mm, seat and back of hardwood slats, powdercoated in RAL
37.727.800*	Monet seat with supports of aluminium, seat and back of hardwood slats, length 1800 mm, powdercoated in RAL
37.727.820	Monet seat with supports of cast iron, seat and back of hardwood slats, length 1800 mm, powdercoated in RAL

**You can choose from 11 standard colours:**

RAL 1007, daffodil yellow	RAL 3000, fire red
RAL 3005, wine red	RAL 4004, violet bordeaux
RAL 5013, cobalt blue	RAL 6009, pine green
RAL 6005, moss green	RAL 6029, mint green
RAL 7016, anthracite grey	RAL 9005, deep black
RAL 9007, grey aluminium	

**MONET SEAT**

The chic Monet seat evokes the floral brush strokes of the famous French impressionist and is a great seat for parks, gardens and other green areas. With a backrest as standard, the Monet seat enables a relaxing experience.

The seat is formed so that there are two gently rounded waveforms at the knees and backrest. The Monet is available in three versions, in aluminium or cast iron with floral motifs (780mm high) or elegantly equipped with hardwood slats on the seat and backrest (800mm high).

The Monet is available in two lengths 1,300 or 1,800mm, with a sit height of 460mm. The standard colour is black, however there are also other standard RAL colours available (see list).

**MONET CO-ORDINATED PRODUCTS**

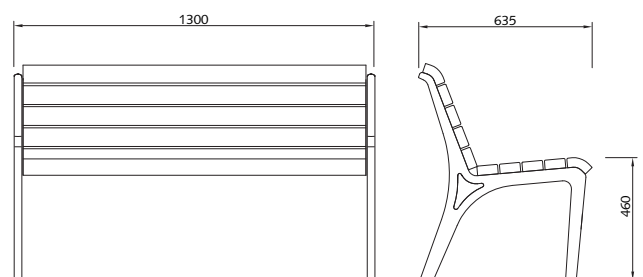
In addition to the Monet series of seating, planters, bollards and a litter bin are also available, to create a co-ordinated street scene or park area.

Litter bins page no. 86.

Bollards page no. 116.

Planters page no. 132.

**Monet, Part code 37.726.800**





## FENICIA CONCEPT



The Fenicia range of street furniture is a modern and very flexible design. Manufactured from galvanised and powder coated modular steel elements, the Fenicia concept enables designers to create any number of layouts and variations, especially when coupled with other co-ordinated products such as the Gemini litter bin.

### 1 FENICIA SEAT AND BENCH



The Fenicia seating system is composed of modular steel strips formed into a natural seat shape. The steel strips are 40mm wide and 10mm thick and are galvanised and powder coated as standard. The bench is sold per metre and we can define the shape you require as a 'made to measure' product – just give us the curves and we will produce a seat to suit.

Available with or without a backrest – as a seat - the rear of the backrest has a Ø5mm steel rod to give the structure rigidity and the whole structure is mounted below ground for solidity.

Dimensions: length per 1,000mm, height 770mm, sit height 440mm, depth 520mm (with backrest) 460mm (without backrest).

### 2 FENICIA CHAIR



The Fenicia chair is a standard product made up of six Fenicia steel elements and makes a great single seat for strategic positioning in a scheme.

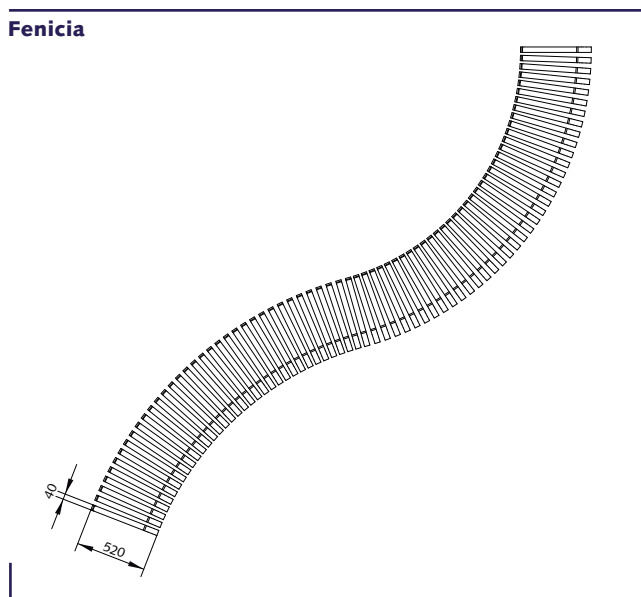
The steel strips, which are galvanised and powder coated, are joined behind the backrest using Ø5mm steel rod for rigidity.

The whole structure is then mounted on a robust stud for mounting into the ground.

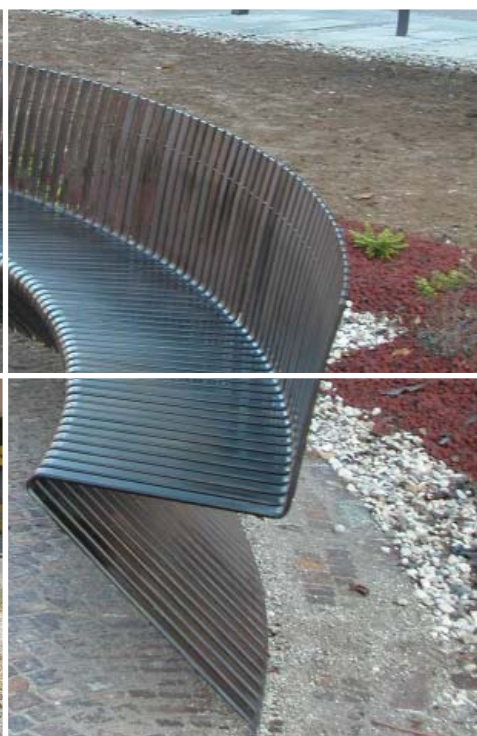
1 FENICIA SEAT	
Part code	Description
37.470.800	Fenicia seat with back, powdercoated in RAL, per metre
37.471.800	Fenicia bench without back, powdercoated in RAL, per metre
2 FENICIA CHAIR	
Part code	Description
37.475.800	Fenicia chair, powdercoated in RAL



Fenicia



1



2



1



**1 ANGEL, STAINLESS STEEL**

Part code	Description
05.890.108	Angel seat with backrest
05.891.108	Angel bench without backrest

**2 ANGEL, GALVANISED STEEL**

Part code	Description
37.890.800*	Angel seat with backrest, galvanised and powder coated in RAL
37.891.800*	Angel bench without backrest, galvanised and powder coated in RAL

**You can choose from 11 standard colours:**

RAL 1007, daffodil yellow	RAL 3000, fire red
RAL 3005, wine red	RAL 4004, violet bordeaux
RAL 5013, cobalt blue	RAL 6009, pine green
RAL 6005, moss green	RAL 6029, mint green
RAL 7016, anthracite grey	RAL 9005, deep black
RAL 9007, grey aluminium	

**1 ANGEL, STAINLESS STEEL**

The Angel seat is a stylish and comfortable seat from our City Design range. Produced wholly from stainless steel the seat is a shimmering statement of quality and looks at home in any environment; old or new, urban or landscape.

The seat is manufactured from Ø8mm stainless steel rods, welded to a sub-frame, which in turn is mounted onto the main structure.

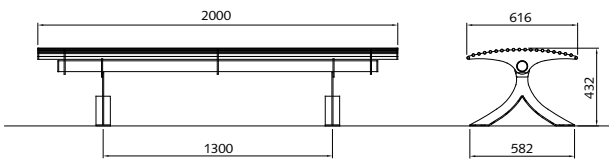
The seat can also be supplied with a backrest for a more relaxing experience and is designed to be bolted to a solid surface.

**2 ANGEL, GALVANISED STEEL**

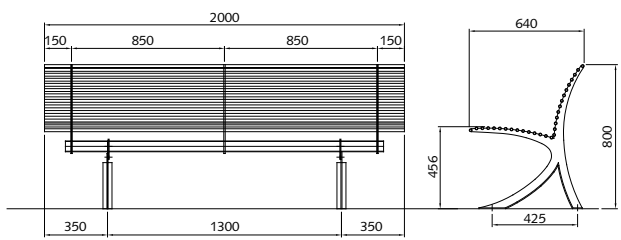
As an alternative, the Angel bench is also available in hot dip galvanised steel and polyester powder coated in a choice of 11 standard RAL colours (see box).

Again, the seat can also be supplied with a backrest and is designed to be bolted to a solid surface.

**Angel, Part code 05.891.108 / 37.891.800**



**Angel, Part code 05.890.108 / 37.890.800**





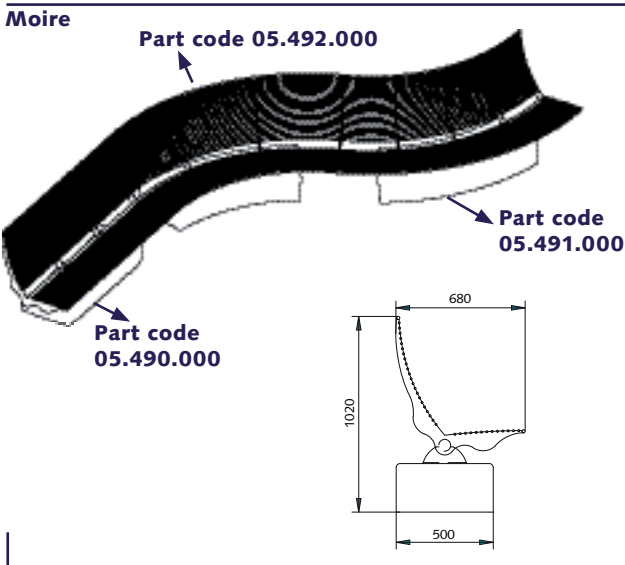
## 1 MOIRE SEATING



The Moire seating system is a combination of great style and innovation in stainless steel or powder coated galvanised steel. It has a light and flexible look that is supported by the solid presence of the Vicenza stone pedestal. Thanks to the open structure of the design, the Moire performs remarkably well in large open areas, with a very striking part of the Moire being the beautiful, bright Curved, high backrest.

The Moire is also very modular, being manufactured from three standard elements (all with a backrest); a straight run, and external curve and an internal curve. The Moire is constructed of stainless steel and supports of 5mm laser cut thick plate. The seating and backrest elements are manufactured from Ø10mm 304 stainless or galvanised steel rods.

Dimensions: standard length 2,000mm, height 1,020mm, 680mm deep. Designer: Allesandro Piaser.



## 1 MOIRE

Part code	Description
05.490.000	Moire seat with backrest
05.491.000	Moire seat with backrest and external curve
05.492.000	Moire seat with backrest and internal curve

## 2 LUNA

Part code	Description
05.495.000	Luna bench with inner lighting

## 2 LUNA



The Luna bench makes an impact in two ways: it has a simple and solid line, plus the addition of an integrated lighting system. The external structure is manufactured from perforated stainless steel allowing the light to flood from the bench at night.

Manufactured from 304 stainless, two fluorescent lamps exude a ward light via Lexan Opalescent covers. The bench is secured to the ground allowing the top to be removed for lamp changing and access to the electrics. Dimensions: length 2,000mm, depth 500mm, sit height 565mm.

Designer Marco Guerrazzi.

### Luna, Part code 05.495.000





**1 CAMILLA BENCH**

Part code	Description
37.760.800*	Camilla bench, seat out of round 8mm steel rod and powdercoated in RAL
37.764.800*	Camilla bench, seat out of varnished hardwood, steel powdercoated in RAL

**2 CAMILLA SEAT**

Part code	Description
37.750.800*	Camilla seat with back in round 8 mm, and powdercoated in RAL
37.754.800*	Camilla seat with back in varnished hardwood, steel powdercoated in RAL

**3 CAMILLA SEAT WITH ARMRESTS**

Part code	Description
37.751.800*	Camilla seat with back and armrests, in 8 mm steel rod and powdercoated in RAL
37.755.800*	Camilla seat with back and armrests, in varnished hardwood, steel powdercoated in RAL

**You can choose from 11 standard colours:**

RAL 1007, daffodil yellow	RAL 3000, fire red
RAL 3005, wine red	RAL 4004, violet bordeaux
RAL 5013, cobalt blue	RAL 6009, pine green
RAL 6005, moss green	RAL 6029, mint green
RAL 7016, anthracite grey	RAL 9005, deep black
RAL 9007, grey aluminium	

**4 CAMILLA STAINLESS STEEL**

Part code	Description
05.375.000	Camilla seat of stainless steel
05.376.000	Camilla seat of stainless steel, seat of hardwood

**FIXING PLATE FOR CAMILLA**

Part code	Description
37.759.000	anchor plate for Camilla bench
37.759.010	anchor plate for Camilla bench stainless

**CAMILLA RANGE**

The Camilla range of seating is an elegant family of products capable of being situated in any environment – internal or external. There is a whole group of seats, tables and benches to create an integrated meeting place with public and private areas in the same style. All models are available in Ø8mm round rod or varnished hardwood. Available as freestanding or with anchor plate to bolt down using M10 bolts.

**1 CAMILLA BENCH**

A perfect simple bench seat with neatly round sitting area. Dimensions: 1,560mm long, sit height 420mm, depth 555mm.

**2 CAMILLA SEAT**

Standard steel Camilla seat with backrest with a park bench feel. Dimensions: 1,560mm long, sit height 420mm, overall height 780mm, depth 565mm.

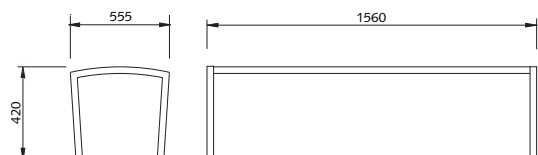
**3 CAMILLA SEAT WITH ARMRESTS**

The addition of armrests give this seat a more regal appearance for a longer stay. Dimensions: 1,560mm long, sit height 420mm, overall height 780mm, depth 565mm.

**4 CAMILLA STAINLESS STEEL**

The Camilla seat is now available in 304 stainless steel with a backrest and two arms either wholly stainless or with hardwood slats. Dimensions: 1,560mm long, sit height 420mm, overall height 780mm, depth 565mm.

**Camilla bench, Part code 37.760.8xx\***





### 1 CAMILLA PICNIC SET

The Camilla picnic set is an integrated table with two benches. The seat and table top can be in either varnished hardwood or impregnated pine wood. Dimensions: length 1,56mm, width 2,090mm (table 1,000x1,560mm), height 820mm.

### 2 CAMILLA TABLE

A further element of the range is the Camilla table. Manufactured in the same way as the rest of the family, the table is available in either varnished hardwood or impregnated pine wood. Dimensions: length 1,500mm, width 1,500mm, height 780mm.

### 3 CAMILLA CHAIR

To complete the range a neat arm chair with sturdy backrest, ideal on a patio or loggia where arrangements are the order of the day. Available in round tube, hardwood or pine. Dimensions: width 660mm, depth 565mm, sit height 420mm, overall height 780mm.

### 1 CAMILLA PICNIC SET

Part code	Description
37.793.800*	Camilla picnic set in impregnated pinewood
37.794.800*	Camilla picnic set in varnished hardwood

### 2 CAMILLA TABLE

Part code	Description
37.795.800*	Camilla table in impregnated pinewood
37.796.800*	Camilla table in varnished hardwood

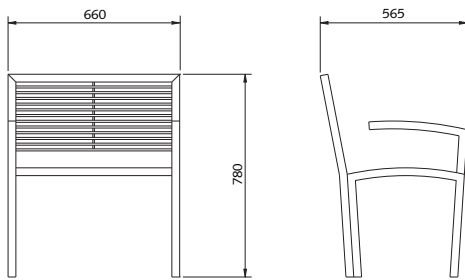
### 3 CAMILLA CHAIR

Part code	Description
37.771.800*	Camilla chair in round 8 mm steel rod
37.772.800*	Camilla chair in impregnated pinewood
37.773.800*	Camilla chair in varnished hardwood

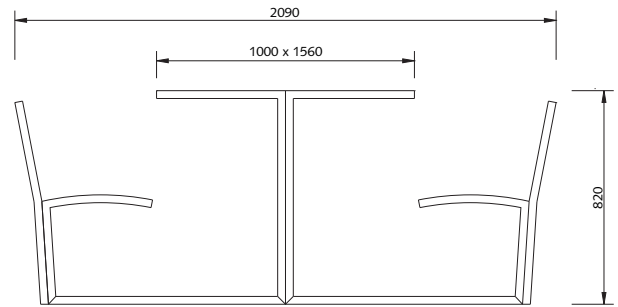
You can choose from 11 standard colours:

RAL 1007, daffodil yellow	RAL 3000, fire red
RAL 3005, wine red	RAL 4004, violet bordeaux
RAL 5013, cobalt blue	RAL 6009, pine green
RAL 6005, moss green	RAL 6029, mint green
RAL 7016, anthracite grey	RAL 9005, deep black
RAL 9007, grey aluminium	

Camilla chair, Part code 37.771.800



Camilla picnic set, Part code 37.79x.800





### NIAGRA

Part code	Description
37.738.800*	Niagra seat, length 1,800 mm, with supports powder coated in a standard RAL colour
37.739.800*	Niagra seat, length 2,400 mm, with supports powder coated in a standard RAL colour

#### You can choose from 11 standard colours:

RAL 1007, daffodil yellow	RAL 3000, fire red
RAL 3005, wine red	RAL 4004, violet bordeaux
RAL 5013, cobalt blue	RAL 6009, pine green
RAL 6005, moss green	RAL 6029, mint green
RAL 7016, anthracite grey	RAL 9005, deep black
RAL 9007, grey aluminium	

### NIAGRA

Traditionally designed park seat manufactured to modern standards. With a reclined backrest, the Niagra seat is extremely relaxing and ideal for open spaces and green areas where parents need a good sit down!

The seat comprises of a back supporting structure in laser cut 12 mm thick steel and with a front and lower rim in flat steel section measuring 80x5 mm. A flat steel plate measuring 80x3 mm is welded along the perimeter of seat and is necessary for the fastening of the seating boards.

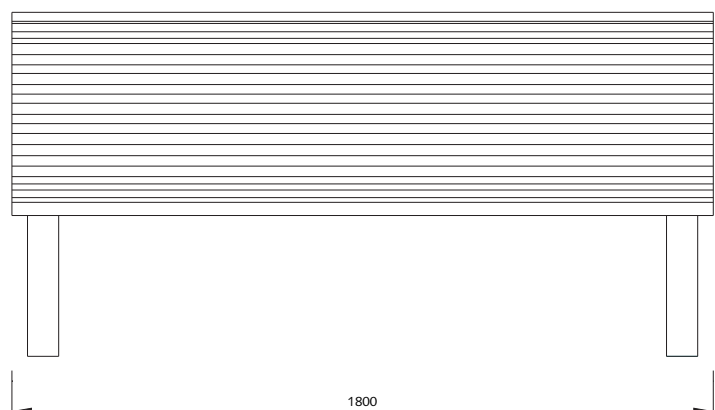
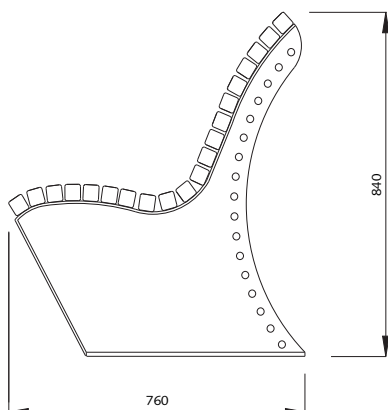
The seat has hardwood seating boards with rounded corners, measuring 40x40 mm positioned adjacent to each other to decrease the spaces between each board to a minimum and therefore create a pleasant continuation between seat and back.

Overall dimensions:

Length 1,800-2,400 mm, height 840 mm, depth 760 mm.



Niagra, Part code 37.738.800





## 1 MONARCH SINGLE SIDED SEAT

The Monarch range takes the Niagra a stage further offering internal and external curves.

Single sided supported by strong steel back structures in 12 mm thick laser cut steel. A steel plate measuring 80x3 mm is welded to the upper part supporting structure, and is required for the fastening of the seating boards. At the lower end of the back supporting structures are two rectangular steel plates measuring 200x120 mm and 12 mm thick.

The seat has hardwood seating boards with rounded edges measuring 40x40 mm and positioned next to one another so as to decrease the spaces between each stave to a minimum and therefore create a unique effect in merging the seat with the back.

This model is available either straight (see picture) or curvilinear. The curvilinear model is available both with an external and internal angle, and this is possible thanks to a particular method in the seating board curving process.

## 2 MONARCH DOUBLE SIDED SEAT

Specification as above but with the seating boards having a continuous and flowing curvature.

Overall dimensions: height 810 mm, width 1,480 mm.

## 1 MONARCH SINGLE SIDED

Part code	Description
37.741.800*	Monarch seat, straight, height 810 mm, length 1,800 mm
37.742.800*	Monarch seat, curvilinear, height 810 mm, length 1,800 mm
37.744.800*	Monarch seat, straight, height 810 mm, length 2,400 mm
37.745.800*	Monarch seat, curvilinear, height 810 mm, length 2,400 mm
37.747.800*	Monarch seat, straight, height 810 mm, length 5,000 mm
37.748.800*	Monarch seat, curvilinear, height 810 mm, length 5,000 mm

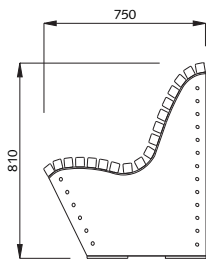
## 2 MONARCH DOUBLE SIDED

Part code	Description
37.743.800*	Monarch seat, double sided length 1,800 mm
37.746.800*	Monarch seat, double sided length 2,400 mm
37.749.800*	Monarch seat, double sided length 5,000 mm

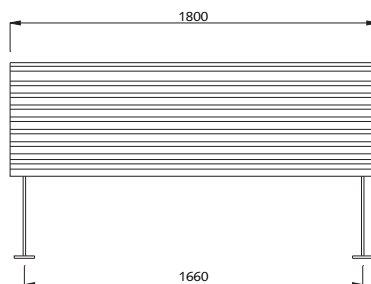
**\* THERE ARE 11 STANDARD COLOURS AVAILABLE:**

See details on opposite page.

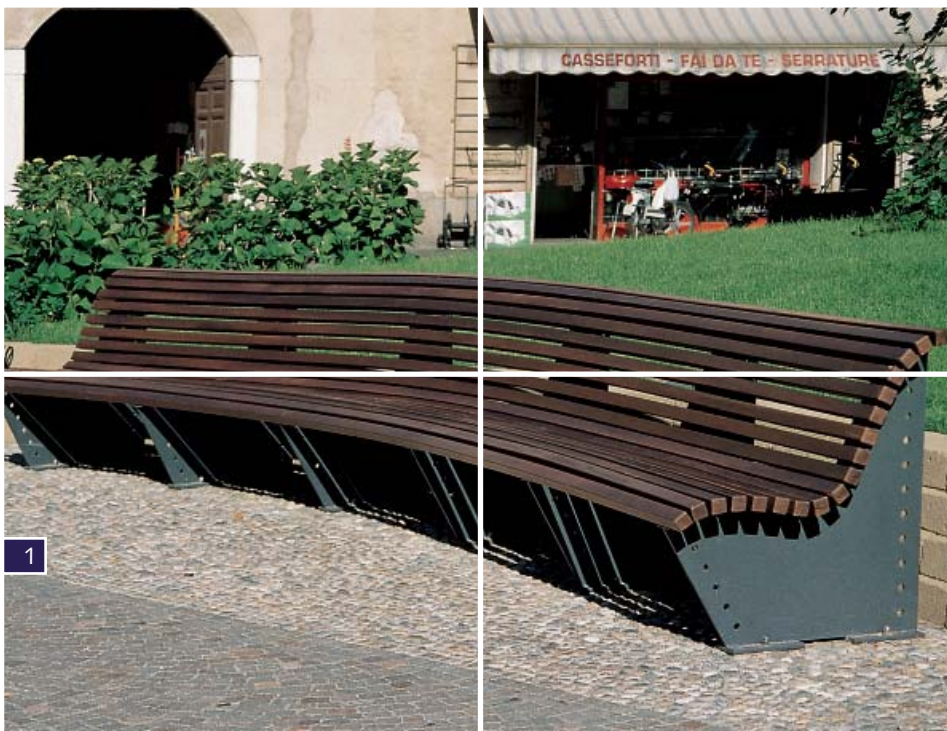
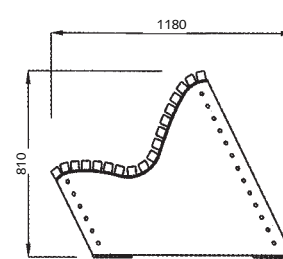
straight model



Part code 37.741.800\* / 37.742.800\*



curvilinear model





1 MARS	
Part code	Description
37.740.800*	Mars bench without back, per metre (minimum 2,000mm), supports powder coated in RAL
96.016.086	concrete foot 300x300x200 mm (1 needed per support)
2 VENUS	
Part code	Description
37.719.800*	Venus bench without back, per metre (minimum 2,000mm), supports powder coated in RAL
96.016.086	concrete foot 300x300x200 mm (1 needed per support)
*You can choose from 11 standard colours:	
RAL 1007, daffodil yellow	RAL 3000, fire red
RAL 3005, wine red	RAL 4004, violet bordeaux
RAL 5013, cobalt blue	RAL 6009, pine green
RAL 6005, moss green	RAL 6029, mint green
RAL 7016, anthracite grey	RAL 9005, deep black
RAL 9007, grey aluminium	

**THE PLANETS**

The Mars and Venus benches are very attractive modular seating systems with a robust and distinctive frame design. Perfect for trails, paths or promenades where a short breather is required before you continue your walk, or there's a view well worth a stop.

All steel parts are hot dip galvanised and polyester powder coated in a choice of 11 standard colours. Supports are designed to be bolted to a concrete pad or concrete feet are available. Price is per m.

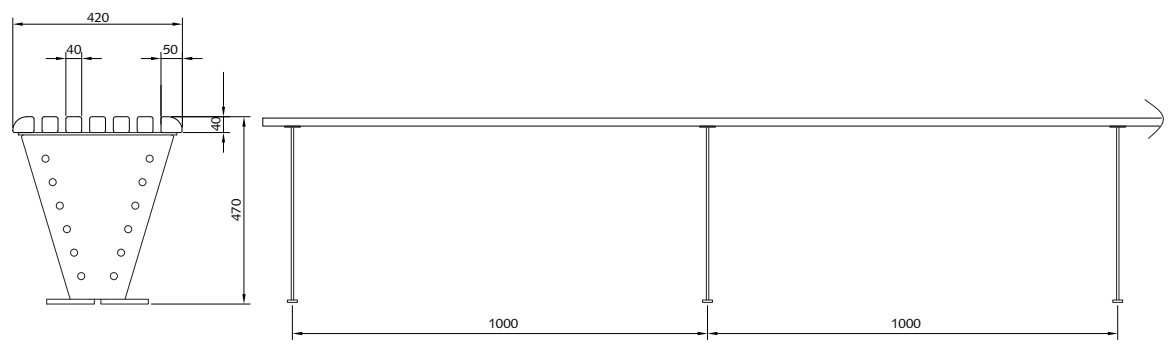
**1 MARS**

The Mars seat is a straight bench with laser cut trapezoidal supports 12mm thick spaced 1,000mm apart. Supports have pierced hole design. Seat is manufactured from 7 Iroko hard wood slats.

**2 VENUS**

The Venus seat is the curved sister of the Mars bench with identical laser cut trapezoidal supports 12mm thick spaced 1,000mm apart. Supports have pierced hole design. Seat is manufactured from 7 Iroko hard wood slats.

**Mars, Part code 37.740.800**





## FALCOZINNIA

The FalcoZinnia is a new design from Falco linked to the 'design for all' philosophy. The FalcoZinnia is primarily targeted at an older audience, something which is reflected in the slightly higher seat height and the radius in the backrest - both which improve seating comfort.

The naturally curved shape of the bench also helps groups of people communicate, plus it also possible to position additional arms, to aid rising from the seat. The seat offers space for approximately three people.

The design offers both internal and external curves so that a continuous run can be created with a standard FalcoZinnia seating elements of 45° and people can sit congregationally together (internal radius) or with some privacy (external radius). The use of intermediate supports enables the two variants to be connected easily and the creation of many combinations and styles. By using 8 seating element a complete circle is created.

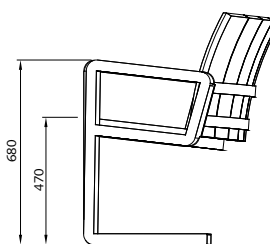
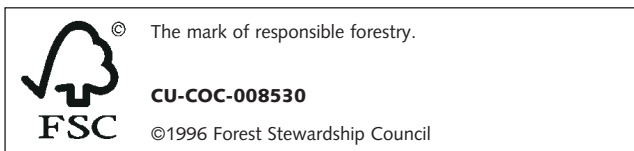
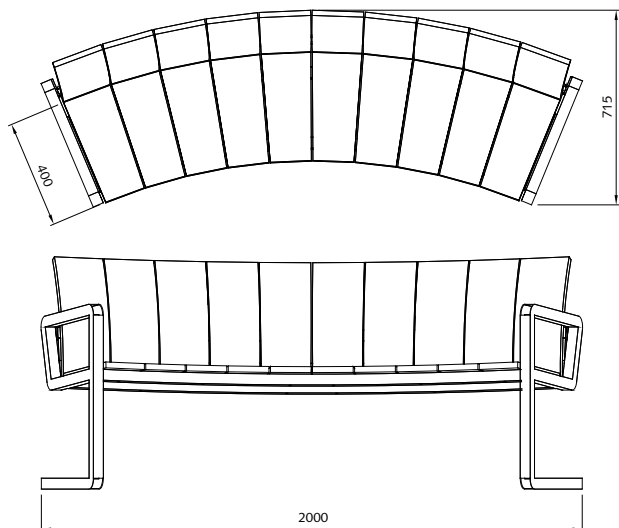
## FALCOZINNIA

Part code	Description
31.800.000	FalcoZinnia starter or end support
31.801.000	FalcoZinnia intermediate support
	FalcoZinnia seat element with back support on the inside (external)
31.803.023	FalcoZinnia seat element with back support on the outside (internal)
31.804.000	FalcoZinnia arm support

The sit height of the bench is 470mm with a depth of 400mm. The outside radius is 2,400mm and is approximately 45°. The arm supports are 45mm wide.

The FalcoZinnia is equipped with FSC certified hardwood slats, all steelwork is hot dip galvanised to BS EN ISO1461 and can be powder coated in any of the 192 RAL colours.

### FalcoZinnia, Part code 31.800.000





### FALCOSYSTEM STEEL

Part code	Description
30.551.130	FalcoSystem bench without back, 90° element, diam. 2000 mm
30.553.130	FalcoSystem bench without back, 60° element, diam. 3000 mm
30.555.130	FalcoSystem bench without back, 45° element, diam. 4000 mm
30.557.130	FalcoSystem bench without back, 36° element, diam. 5000 mm
30.561.130	FalcoSystem bench with back on outside, 90° element, diam. 2000 mm
30.563.130	FalcoSystem bench with back on outside, 60° element, diam. 3000 mm
30.565.130	FalcoSystem bench with back on outside, 45° element, diam. 4000 mm
30.567.130	FalcoSystem bench with back on outside, 36° element, diam. 5000 mm
30.571.130	FalcoSystem bench with back on inside, 90° element, diam. 2000 mm
30.573.130	FalcoSystem bench with back on inside, 60° element, diam. 3000 mm
30.575.130	FalcoSystem bench with back on inside, 45° element, diam. 4000 mm
30.577.130	FalcoSystem bench with back on inside, 36° element, diam. 5000 mm
30.550.030	FalcoSystem steel tubing Ø 100 mm, with foot plate 180x180 mm, 300 mm below ground level

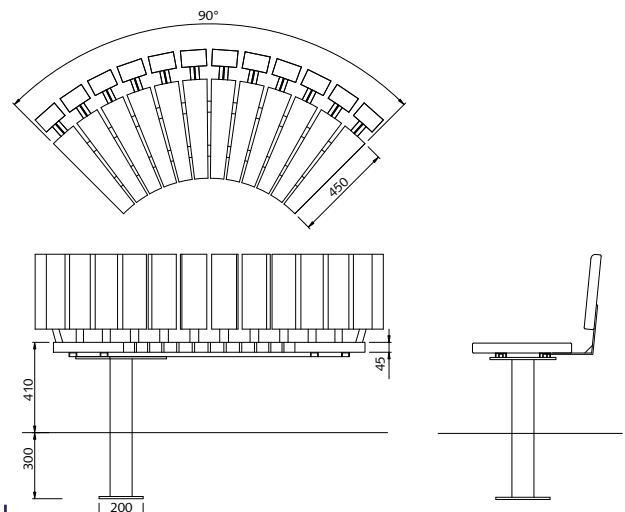
### FALCOSYSTEM STEEL

The FalcoSystem is the ultimate in flexible seating. A very simple yet very effective seating system where you can contour your own line to follow or highlight a natural or man-made curve. Available with or without a backrest.

The system is manufactured from a cylindrical leg which is either surface mounted or fixed below ground. This then supports the sub-frame of the seat which is manufactured from pre-fabricated elements. The seating is hardwearing Kambala hardwood fastened to the sub-frame.

The overall dimensions of an element are 1,570mm. All steel parts are all hot dip galvanised to BS EN ISO 1461. Backrest can be fitted internally or externally. The curved seat elements are available in 4 standard dimensions: 90°, 60°, 45°, or 36°, giving standard diameters of 2,000m, 3,000mm, 4,000mm or 5,000mm overall. The seat and legs are delivered separately.

#### Part code 30.561.130





## FALCOSYSTEM CONCRETE

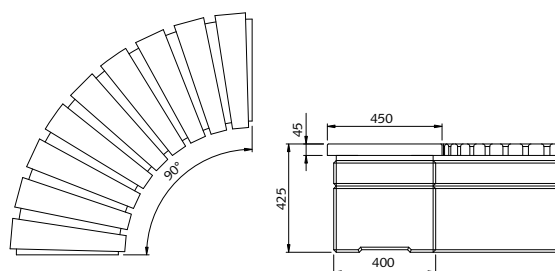
The FalcoSystem concrete version is similar to its sister range in steel but with concrete footings and supports. A great complementary range where a tougher looking product is required or where the predominant material is aggregate or concrete. The range is also available with or without a backrest.

The concrete elements are cast as a single item and include the fixing brackets. The seating elements are treated Kambala hardwood. All elements can be connected to each other, when using a single item then an additional anchor set is required, though not necessary when connecting multiple elements as the elements are pre-mounted. Dimensions: sit height is 425mm and seat depth is 450mm.

For the curved elements, you can choose from 10 different radii (inside and outside diameter respectively): 1,000/1,900mm (90°), 1,550/2,450mm (60°), 3,150/4,050mm (45°), 3,850/4,750mm (45°) and 6,150/7,050mm (30°).

Hence there is creative freedom with almost unlimited possibilities. Concrete elements require crane lifting and therefore access to site.

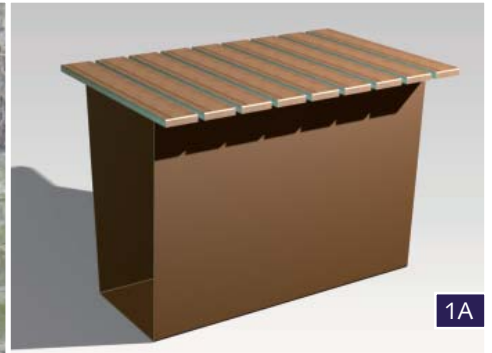
### Part code 34.101.150



## FALCOSYSTEM CONCRETE

Part code	Description
34.124.150	FalcoSystem round bench element 60° without back, diameter 1950/2850 mm
34.125.070	FalcoSystem round seat element 60° with back inside, diameter 1950/2850 mm
34.126.060	FalcoSystem round seat element 60° with back outside, diameter 1950/2850 mm
34.131.150	FalcoSystem round bench element 60° without back, diameter 2550/3450 mm
34.132.070	FalcoSystem round seat element 60° with back inside, diameter 2550/3450 mm
34.133.060	FalcoSystem round seat element 60° with back outside, diameter 2550/3450 mm
34.161.150	FalcoSystem round bench element 30° without back, diameter 5150/6050 mm
34.162.070	FalcoSystem round seat element 30° with back inside, diameter 5150/6050 mm
34.163.060	FalcoSystem round seat element 30° with back outside, diameter 5150/6050 mm
34.291.070	FalcoSystem straight seat element with back, length 1250 mm
34.292.150	FalcoSystem straight bench element without back, length 1600 mm
34.293.070	FalcoSystem straight seat element with back, length 1600 mm
34.294.150	FalcoSystem straight bench element without back, length 2000 mm
34.295.070	FalcoSystem straight seat element with back, length 2000 mm
34.297.000	anchor set





FALCOCORTEN	
Part code	Description
31.070.121	FalcoCorten chair
96.102.235	concrete foot 30x30x30 cm
31.075.121	FalcoCorten table

**1 FALCOCORTEN**

The FalcoCorten is a new design of chair combining the rich textures of corten steel with traditional FSC hardwood. Developed in the US and used on the famous Chicago Picasso sculpture, cor-ten is process of weathering steel to give it a rustic iron-oxide like appearance.

Designed by Anita Ebbing, the FalcoCorten chair has a natural and comfortable curve for a very relaxing sit.

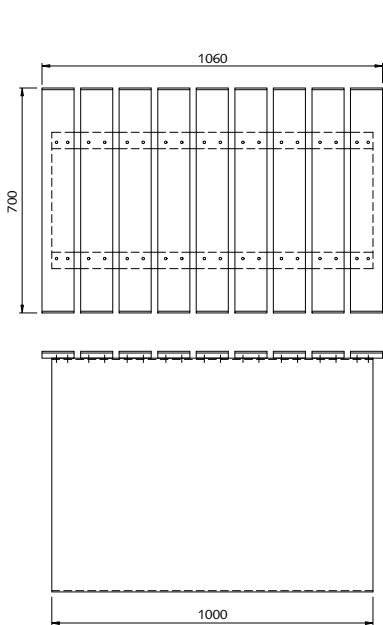
The main structure of the chair is manufactured from corten steel with the seat and backrest in hard wood slats so that it is robust, durable and low maintenance to ensure maximum appeal for many years.

The seat is bolt down and we can supply an optional concrete foot if required for asphalt or park surfaces.

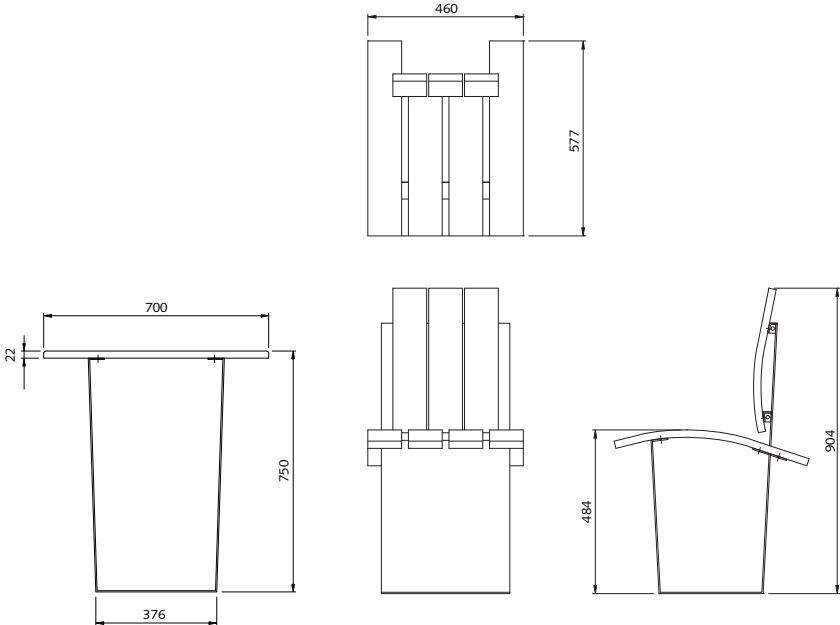


**N.B.** A table is now also available for this design - call Technical Sales for details (photo's 1A).

**FalcoCorten table, Part code 31.075.121**



**FalcoCorten chair, Part code 31.070.121**





## 1 MODULO SEATING SYSTEM

The Modulo seating system is an ingeniously designed modular seating system which enables any combination of curves and lines (internal or external) to create the ultimate seating design.

Available as a beautiful combination of stainless steel and wood or using steel rods for a more robust appearance.

This system is made up of different benches, with or without back, which makes an overall shown in the pictures. The seating and back are tubes about 8 mm. The seatings are connected to each other through round elements and create an extra seating or table.

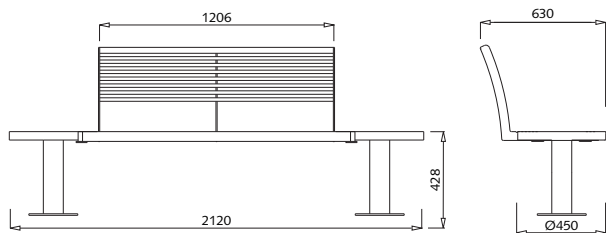
By these round elements are many versions possible, with corners from 0 until 60 degrees.

## 1 MODULO, GALVANISED

The bench supports are of tubes round 102 mm and have on the upside a table sheet round 45 mm. The support are available with round foot plate or to concrete in.

The bench elements are available in a length of 815 mm and 1415 mm. The back is always ca. 200 mm smaller. The Modulo requires assembly following delivery.

1x Part code 37.700.800\* + 2x Part code 37.706.800\*



## 1 MODULO SEATING SYSTEM

Part code	Description
37.700.800*	Modulo seating system with back support, without supports, bench length 141,5cm, 3-seated, powdercoated in RAL
37.701.800*	Modulo seating system with back support, without supports, bench length 81,5cm, 2-seated, powdercoated in RAL
37.702.800*	Modulo seating system without supports, bench length 141,5cm, 3-seated, powdercoated in RAL
37.703.800*	Modulo seating system without supports, bench length 81,5cm, 2-seated, powdercoated in RAL
37.706.800*	Modulo bench support for seating system with a welded base plate of round 250mm at ground level, powdercoated in RAL
37.707.800*	Modulo support for seat element, for in-ground fix, powdercoated in RAL

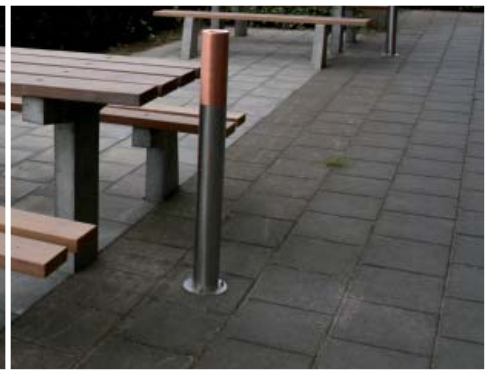
You can choose from 11 standard colours:

RAL 1007, daffodil yellow	RAL 3000, fire red
RAL 3005, wine red	RAL 4004, violet bordeaux
RAL 5013, cobalt blue	RAL 6009, pine green
RAL 6005, moss green	RAL 6029, mint green
RAL 7016, anthracite grey	RAL 9005, deep black
RAL 9007, grey aluminium	

## 2 MODULO, STAINLESS STEEL

In addition to the powder coated version the beautiful stainless steel version with hardwood slats is a stunning addition to the range. With naturally finished materials this version looks great in any context.





**1 FALCOPARK HARDWOOD**

Part code	Description
34.000.010	FalcoPark seat with backrest, below ground fix
34.000.410	Optional concrete in red / brown, below ground
34.001.020	FalcoPark seat with backrest, freestanding
34.001.410	Optional concrete in red / brown, freestanding

**2 FALCOPARK STEEL MESH**

Part code	Description
34.501.018	FalcoPark seat in mesh, below ground fix
34.501.700	additional charge for powdercoating in RAL colour
34.502.018	FalcoPark seat in mesh, freestanding
34.502.700	additional charge for powdercoating in RAL colour
34.505.018	FalcoPark table in mesh, below ground fix
34.505.700	additional charge for powdercoating in RAL colour

**3 FALCOPARK TABLE AND BENCH**

Part code	Description
34.501.011	FalcoPark seat with backrest, below ground fix
34.502.011	FalcoPark bench, freestanding
34.505.011	FalcoPark table hardwood, below ground fix

**1 FALCOPARK HARDWOOD**

The FalcoPark is a heavy, solid traditional park bench made of wood and concrete. With a backrest as standard, the feet are manufactured from solid concrete 100mm thick for rigidity and strength.

The wooden slats and backrest are manufactured from Kambala hard wood 45mm thick. The bench is delivered in flat pack form for erection on site.

**2 FALCOPARK STEEL MESH**

The FalcoPark bench is also available with a galvanised steel mesh for those areas where wood is not the required material. Available as a table, or bench with or without a backrest, the range has concrete feet 85mm thick for rigidity.

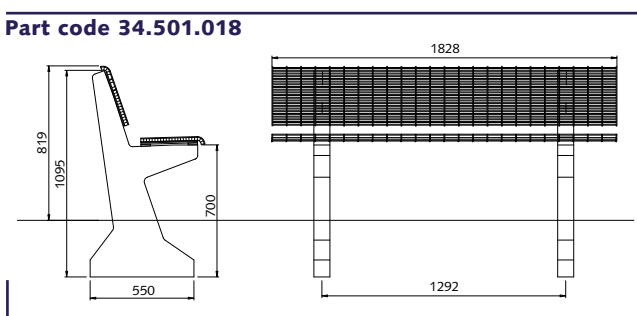
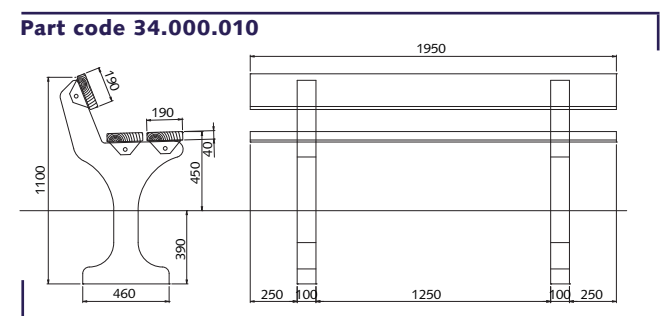
To give the products a fresh and modern look, the steel parts can be additionally polyester powder coated in any of the 192 RAL colours. All parts are delivered palletised.

Length 1,830mm.

**3 FALCOPARK TABLE AND BENCH**

This simple and straightforward range also has a solid table and bench without a back. A great unobtrusive design ideal for those utilitarian areas where the provision of an eating area is required using solid furniture.

Using FSC certified hardwood, the table is 1,950mm long x 700mm wide.



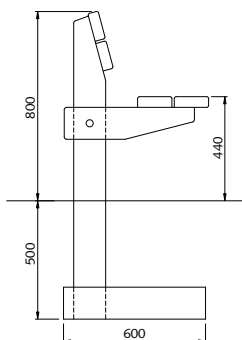


## FALCOFOREST

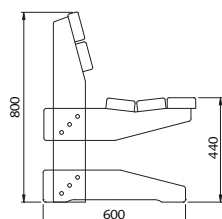
The FalcoForest is a beautiful range of outdoor park furniture, manufactured from solid Douglas Red Fir. The wood is vacuum impregnated with a preservative for a long life span. Perfect for picnic areas and parks, the FalcoForest blends naturally with any green surroundings.

The seats and table are 1,950mm long with 45mm thick slats. Plus there are a wide range of options with this product group including different mounting possibilities.

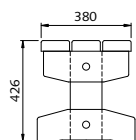
Part code 32.600.014



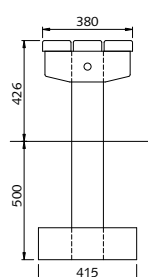
Part code 32.601.004



Part code 32.602.104



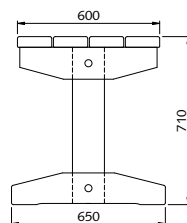
Part code 32.602.114



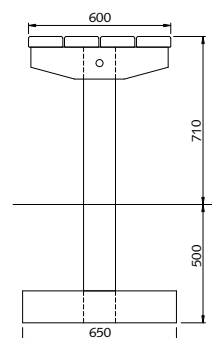
## FALCOFOREST

Part code	Description
32.600.004	FalcoForest with 2 seat and 2 back slats, freestanding
32.600.014	FalcoForest with 2 seat and 2 back slats, below ground fix
32.601.004	FalcoForest with 3 seat and 2 back slats, freestanding
32.601.014	FalcoForest with 3 seat and 2 back slats, below ground fix
32.601.004	FalcoForest with 3 seat and 2 back slats, freestanding
32.601.014	FalcoForest with 3 seat and 2 back slats, below ground fix
32.602.104	FalcoForest bench with 3 seat slats, freestanding
32.602.114	FalcoForest bench with 3 seat slats, below ground fix
32.604.004	FalcoForest table with 4 table slats, freestanding
32.604.014	FalcoForest table with 4 table slats, below ground fix

Part code 32.604.004



Part code 32.604.014





1	FALCOSWAY BENCH
Part code	Description
31.050.121	FalcoSway bench with 2 hardwood slats
31.050.700	additional charge for powdercoating steel construction in a RAL colour
31.051.121	FalcoSway bench with 3 hardwood slats
31.051.700	additional charge for powdercoating steel construction in a RAL colour
2	FALCOSWAY WALL BENCH
Part code	Description
31.900.000	FalcoSway bench support, single
31.900.700	additional charge for powdercoating steel construction in a RAL colour
31.980.001	FSC Hardwood slat 1,950x120x40mm untreated

## FALCOSWAY

FalcoSway is a range of seating which combines the utilitarian styles of park benches with a galvanised steel frame.

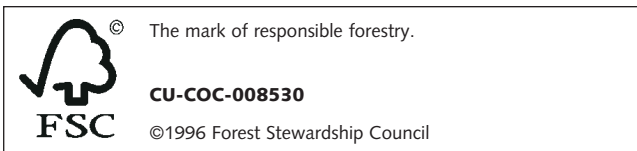
In contrast to the FalcoPark and FalcoForest ranges, the FalcoSway has a much lighter and more urban feel.

### 1 FALCOSWAY BENCH

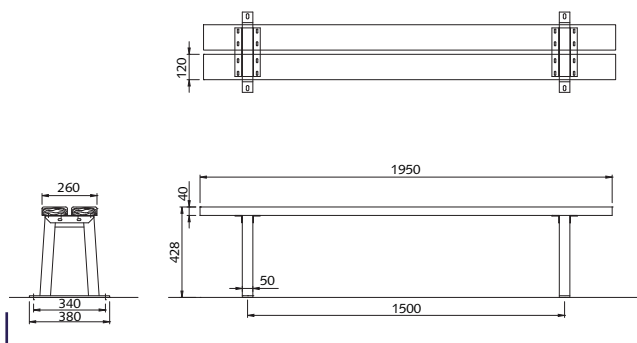
The FalcoSway bench is one of the most economical products in the Falco range. A simple and straightforward design the seat is still robust and functional. The chunky steel supports 40mm thick wood slats are FSC certified hardwood and the all the steelwork is hot dip galvanised to BS EN ISO 1461. Options include either 2 or 3 wooden seat slats. The supports are 1,500mm apart and the bench overall is 1,950mm long, the sit height is 430mm. Additionally the steel elements can be polyester powder coated. To be assembled on site.

### 2 FALCOSWAY WALL BENCH / SEAT

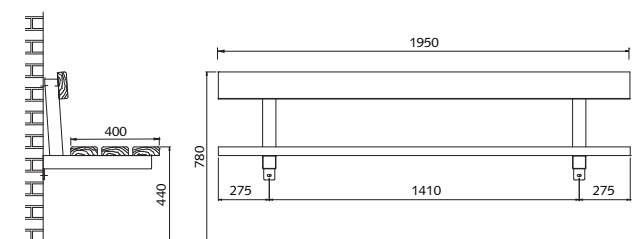
This is the wall mounted version of the FalcoSway range, where floor mounting is not an option or wall mounting is preferred. The ingenious design allows for with or without a backrest – by using the same support simply mounted upside down. Manufactured from robust 60mm box section and FSC certified hardwood, the seats are 1,950mm long. Again all steelwork is hot dip galvanised and can be powder coated if required. Delivery is in parts.



#### Part code 31.050.121



#### FalcoSway wall bench with 1 back part





## 1 FALCOSWAY SEAT SINGLE

The FalcoSway seat is a simple design with two individual steel supports. The bench is equipped with 3 hardwood sitting slats 40mm thick and a single wood backrest, all in FSC certified hardwood.

The steel parts are hot dip galvanised and the seat is 1,950mm long with a sit height of 450mm.

## 2 FALCOSWAY SEAT DOUBLE

This is a more sturdy version of the seat with a backrest and an angled seating area. Additionally the seat has two slats for the backrest making it more substantial. The supporting structure is manufactured from 50mm galvanised steel box section.

The double seat version is also available as a table, 1,400mm x 730mm, using the same construction as the seat. The seat is 1,950mm long and all the wood slats are FSC certified hardwood, 40mm thick.

## 1 FALCOSWAY SEAT SINGLE

Part code	Description
31.001.011	FalcoSway seat single backrest, seat length 1,950mm, weight 50kg
31.001.700	additional charge for powdercoating steel construction in a RAL colour

## 2 FALCOSWAY SEAT DOUBLE

Part code	Description
31.022.001	FalcoSway seat double backrest, seat length 1,950mm, weight 60kg
31.022.700	additional charge for powdercoating steel construction in a RAL colour
31.025.001	FalcoSway table with 6 FSC hardwood slats
31.025.700	additional charge for powdercoating steel construction in a RAL colour

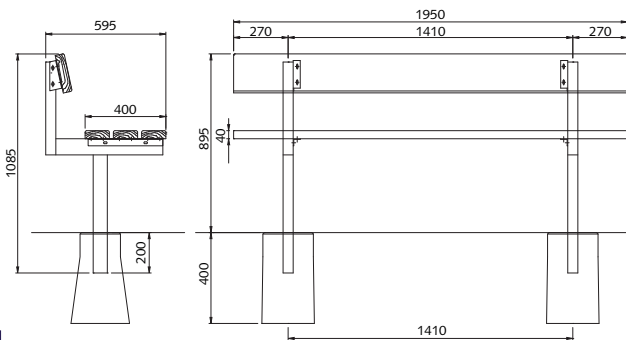


The mark of responsible forestry.

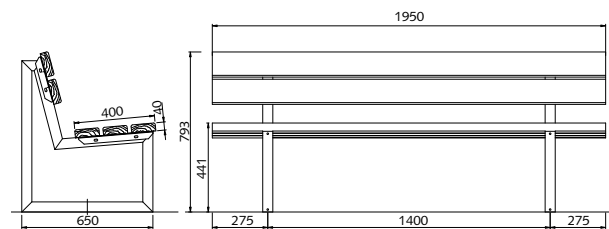
CU-COC-008530

©1996 Forest Stewardship Council

Part code 31.001.012



Part code 31.022.001







1	FALCOSWING SEAT
Part code	Description
31.762.001	FalcoSwing seat with back support, seat made of untreated FSC certified wood
31.763.101	FalcoSwing extension seat with back support, seat made of untreated FSC certified wood
31.76x.751	additional charge for powdercoating steel construction in a RAL colour
2	FALCOSWING BENCH
Part code	Description
31.760.101	FalcoSwing bench without back support, made of untreated FSC certified wood
31.761.101	FalcoSwing extension bench without back support, made of untreated FSC certified wood
31.76x.7xx	additional charge for powdercoating steel construction in a RAL colour
3	FALCOSWING, SQUARE ARRANGEMENT
Part code	Description
31.764.101	FalcoSwing bench in a square arrangement, 4x3 seat components of untreated FSC hardwood
31.765.001	FalcoSwing seat with back in a square arrangement, 4x3 seat components of untreated FSC hardwood
31.76x700	additional charge for powdercoating steel construction in a RAL colour
4	FALCOSWING, HEXAGONAL ARRANGEMENT
Part code	Description
31.766.101	FalcoSwing bench in a hexagonal arrangement, 6x3 seat components of untreated FSC hardwood
31.767.001	FalcoSwing seat with back support in a hexagonal arrangement, 6x3 seat components of untreated FSC hardwood, pre-assembled
31.76x700	additional charge for powdercoating steel construction in a RAL colour

## FALCOSWING

The FalcoSwing is a really beautifully designed product. This series of benches from Falco is supplied in many variations, allowing a wide variety of arrangements.

All benches are supplied pre-assembled and feature a sturdy steel structure which is hot-dip galvanised.

The seats are made of FSC certified hardwood. The steel structure can also be given a powdercoating in many standard RAL colours.

In theory, FalcoSwing benches can be placed anywhere. They can resist all weathers and are also vandal-resistant because of the absence of any visible nuts or bolts on the seat or back-rest. Modular construction makes many arrangements possible: free-standing benches with or without back support, free-standing benches in a square arrangement or, if required, a hexagonal arrangement.

The various components mean that any square or park can be equipped with a swing bench, with or without back support.

Every FalcoSwing bench has a sit height of 430 mm. The height of the round side or intermediate supports are 600 mm. A bench including a backrest has a total height of 780 mm.

With a straight bench the length from support to support is 1,800 mm. The square version is 1,600x1,600 mm externally.

The hexagonal form has a maximum external width of 2,600 mm.

Please ask for more drawings.



© The mark of responsible forestry.

CU-COC-008530

©1996 Forest Stewardship Council



### 1 FALCOSWING HEXAGONAL TABLE

The FalcoSwing hexagonal table has been designed to match the hexagonal FalcoSwing bench arrangement to create a perfect picnic experience. Designed with the same robust steel and FSC hardwood, the table has an optional ashtray.

Height 780mm from base plate or 795mm for below ground fix.

### 2 FALCOSWING STANDING TABLE

The FalcoSwing standing table is the standard hexagonal shape manufactured from FSC hardwood to blend with the seating range, with removable ashtray.

With a galvanised steel frame, the table's total height is 1,100mm from base plate.

### 3 FALCOSWING PICNIC TABLE

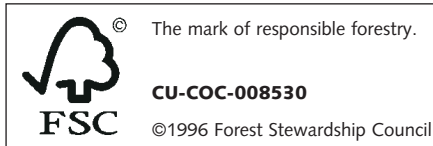
The FalcoSwing picnic table is an integral table unit with 6 seats developed from the FalcoSwing range.

With optional integral ashtray, the bar table is ideal for families to perch whilst having a snack. Strong and robust it can be placed in cafes or remote woodland trails.

Height 1,125mm from base plate.

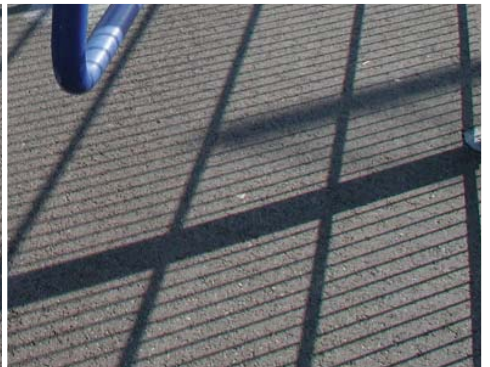
### 4 FALCOSWING RECTANGULAR TABLE

To complete the set, here is a rectangular table in two sizes; 1500mm x 570mm or 1,950mm x 570mm.



1 FALCOSWING HEXAGONAL TABLE	
Part code	Description
31.785.021	FalcoSwing hexagonal table without ashtray, bolt down
31.785.031	FalcoSwing hexagonal table with ashtray, below ground fix
31.785.7x1	additional charge for powdercoating steel construction in a RAL colour
2 FALCOSWING STANDING TABLE	
Part code	Description
31.786.021	FalcoSwing standing table without ashtray, bolt down
31.786.031	FalcoSwing standing table without ashtray, below ground fix
31.786.041	FalcoSwing standing table with ashtray, bolt down
31.786.051	FalcoSwing standing table with ashtray below ground fix
31.786.7x1	additional charge for powdercoating steel construction in a RAL colour
3 FALCOSWING PICNIC TABLE	
Part code	Description
31.788.021	FalcoSwing picnic table without ashtray and six integral seats
31.788.721	additional charge for powdercoating steel construction in a RAL colour
4 FALCOSWING RECTANGULAR TABLE	
Part code	Description
31.780.001	FalcoSwing rectangular table 1,500mmx570mm
31.781.001	FalcoSwing rectangular table 1,950mmx570mm
31.78x.700	additional charge for powdercoating steel construction in a RAL colour





**1 FALCORUBO SEAT WITH BACKREST**

Part code	Description
38.432.001	FalcoRUBO with back support, seat with base plate
38.432.700	additional charge for powdercoating steel construction in a RAL colour
38.438.001	FalcoRUBO with back support, seat on 200x100 mm base plate at least 150 mm below ground level
38.438.700	additional charge for powdercoating steel construction in a RAL colour

**2 FALCORUBO SCHOOL BENCH**

Part code	Description
38.450.002	FalcoRUBO school bench, tube 47,5 mm, seat with FSC certified hardwood planks 45x180 mm
38.450.700	additional charge for powdercoating steel construction in a RAL colour

**1 FALCORUBO SEAT**

Attractively styled bench from the successful FalcoRUBO series. A combination of styling and sturdiness.

Supports made of 60 mm tubing, hot-dip galvanised. Seat made of 60 mm thick FSC certified hardwood.

The length is 2,010 mm.

**2 FALCORUBO SCHOOL BENCH**

A bench especially designed for secondary schools, which undoubtedly will also be used at bus stops, stations, neighbourhood shopping centres etc.

Secondary schoolchildren like to sit a bit higher than normal in order to be able to get a good view of the situation.

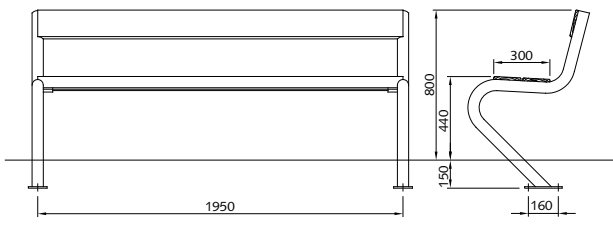
The school bench is made of thick-wall 47.5 mm tubing and curved and welded into a single unit. Length 1,500 mm.

Seat is made of FSC certified hardwood.

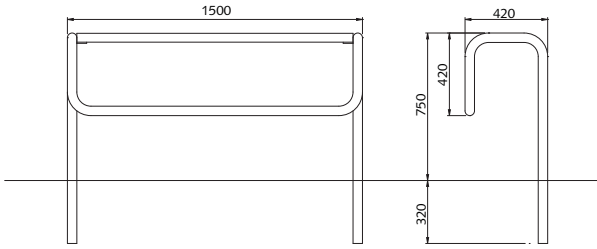
**N.B.** Co-ordinating street furniture products also available.

The mark of responsible forestry.  
**CU-COC-008530**  
 ©1996 Forest Stewardship Council

**FalcoRUBO seat, Part code 38.438.001**



**FalcoRUBO School bench, Part code 38.450.002**





## 1 FALCORUBO BENCH

The FalcoRUBO series of park furniture was designed by the well known Dutch designer Ruud van den Bosch and the bench is a lesson in simplicity. The supporting tubes have an effortless line rising from the ground to a 90° angle to form the seat bracketry.

The supports are manufactured from robust 60mm tube and the FSC hardwood slats also from matching 60mm thick boards.

All steelwork is hot dip galvanised to BS EN ISO 1461 and can subsequently be powder coated in any of the 192 RAL colours.

## 2 FALCORUBO BENCH WITH BACKREST

The FalcoRUBO bench with backrest is a natural extension of the simple bench, with the addition of two rising tubes and a backrest to match the seat.

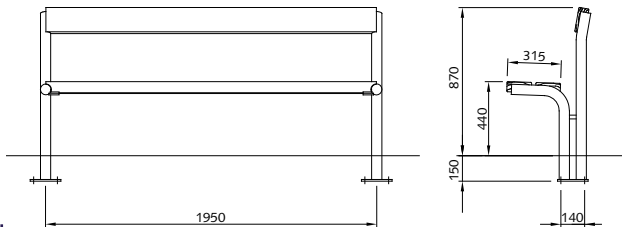
## 3 FALCORUBO PICNIC TABLE

A graceful extension of the FalcoRUBO design is this perfectly proportioned picnic table and benches.

A simple sweeping curve coupled with routed wooden table slats housed into the framework make the picnic table a beautiful modern design.

**N.B.** Co-ordinating street furniture products also available.

### FalcoRUBO seat, Part code 38.401.001



## 1 FALCORUBO BENCH

Part code	Description
38.411.001	FalcoRUBO bench without back support, supports with base plate 150 mm below ground level
38.411.700	additional charge for powdercoating steel construction in a RAL colour
38.412.001	FalcoRUBO bench without back support, supports with 180x180x10 mm base plate at ground level
38.412.700	additional charge for powdercoating steel construction in a RAL colour

## 2 FALCORUBO BENCH WITH BACKREST

Part code	Description
38.401.001	FalcoRUBO bench with back support, supports with base plate 150 mm below ground level
38.401.700	additional charge for powdercoating steel construction in a RAL colour
38.402.001	FalcoRUBO bench with back support, supports with 180x180x10 mm base plate at ground level
38.402.700	additional charge for powdercoating steel construction in a RAL colour

## 3 FALCORUBO PICNIC TABLE

Part code	Description
38.425.001	FalcoRUBO picnic set supports of tube round 60 mm, freestanding, width 1,660 mm
38.425.700	additional charge for powdercoating steel construction in a RAL colour



The mark of responsible forestry.

CU-COC-008530

©1996 Forest Stewardship Council



1



2



3



1	FALCONORSK SEAT
Part code	Description
38.000.001	FalcoNorsk seat with backrest, 2,000x650x800mm
38.000.700	additional charge for powdercoating steel construction in a RAL colour
2	FALCONORSK BENCH
Part code	Description
38.005.001	FalcoNorsk bench without backrest, 2,000x650x800mm
38.005.700	additional charge for powdercoating steel construction in a RAL colour
3	FALCONORSK TABLE
Part code	Description
38.010.001	FalcoNorsk table, 2,000x920x650mm
38.010.700	additional charge for powdercoating steel construction in a RAL colour
4	FALCONORSK ANCHORING SLEEVES
Part code	Description
38.098.000	anchoring sleeve for Ø60mm tube, with base plate 110x5mm, 150mm below ground level
38.098.700	additional charge for powdercoating steel construction in a RAL colour

## FALCONORSK

We are delighted to present the FalcoNorsk park furniture series, a design which meets the latest requirements of today in terms of design and quality. The products are a response to the increasing demand for modern park furniture for use in public areas, in urban, rural and marine environments. The furniture blends well with architecture from any period.

The framework is manufactured from a robust welded construction of Ø60mm tubular steel and finished using high quality hardwood slats from FSC certified sources. The furniture is designed for both freestanding as well as bolt down – with an anchoring hole.

All steel work is hot dip galvanised to BS EN ISO 1461 and can be powder coated in any of the 192 RAL colours. The seat slats and table top are manufactured from 40mm thick FSC hardwood.

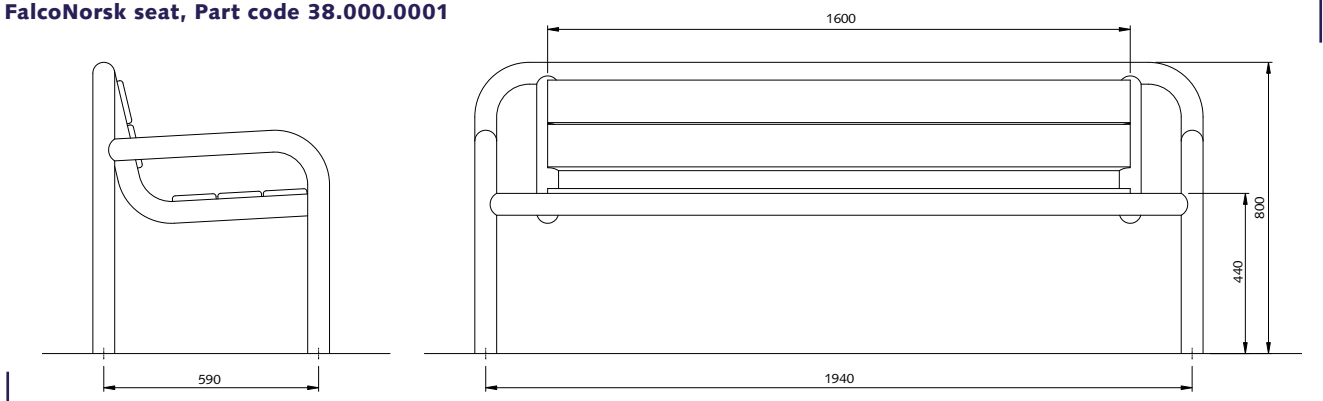


The mark of responsible forestry.

CU-COC-008530

©1996 Forest Stewardship Council

FalcoNorsk seat, Part code 38.000.0001





## ARP SEATING SYSTEM

Arp is a very stylish seating system from our partners at City Design in Italy. This is a truly design led product offering incredible style coupled with sound ergonomics in terms of the sitting experience plus the usability of the design.

Arp is a modular seating system ideal for any modern urban environment – shopping centres and malls, airports, railway and bus stations, conference centres, in fact any large modern scheme where high quality mass seating is required in a different number of orientations and quantities.

The seating element is manufactured from hard wearing die-cast aluminium and supported on robust steel framework. There are both single and double sided options plus a really user friendly table system to aid wheelchair users.

The Arp system is delivered powder coated in any of 8 standard RAL colours.

## ARP SEATING SYSTEM

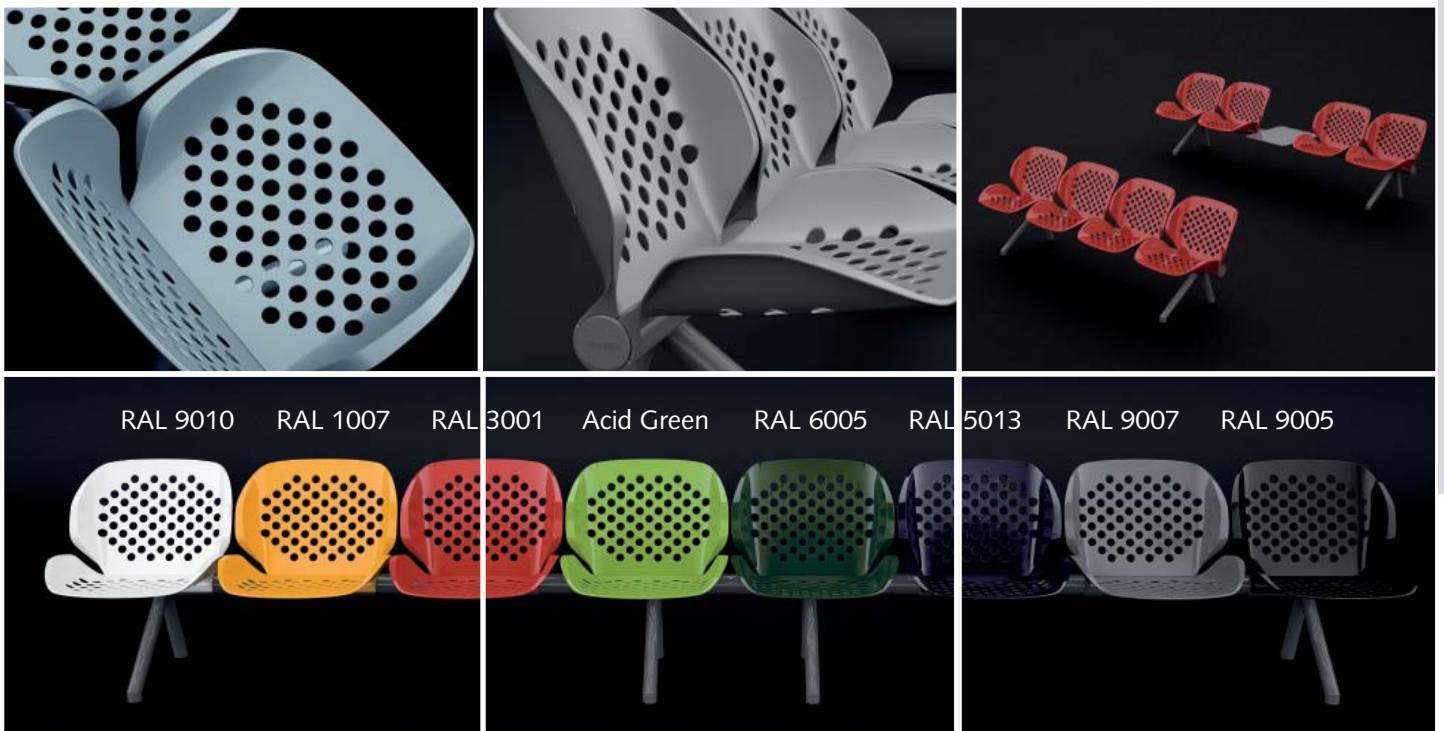
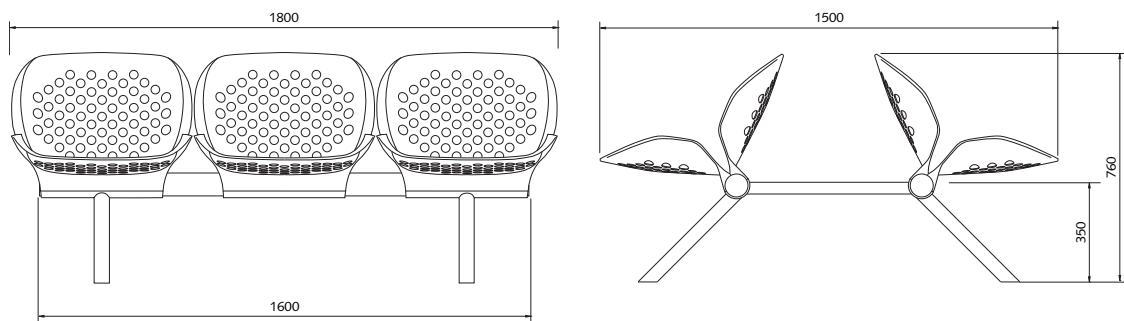
On request

You can choose from 8 standard colours:

RAL 9010, Pure White	RAL 6005, Moss Green
RAL 1007, Daffodil Yellow	RAL 5013, Cobalt Blue
RAL 3001, Signal Red	RAL 9007, Grey Aluminium
RAL xxxx, Acid Green	RAL 9005, Jet Black



### Arp seating system





1	FALCOPERFO SINGLE SEAT
Part code	Description
36.001.006	FalcoPerfo single-sided seat
36.001.700	additional charge for powdercoating in a RAL colour
2	FALCOPERFO SINGLE SEAT WITH FSC SLATS
Part code	Description
36.005.121	FalcoPerfo with FSC slats, single-sided seat
36.005.700	additional charge for powdercoating steel construction in a RAL colour
3	FALCOPERFO DOUBLE SEAT
Part code	Description
36.030.006	FalcoPerfo double-sided seat
36.030.700	additional charge for powdercoating in a RAL colour
4	FALCOPERFO ANCHORING SLEEVES
Part code	Description
36.375.000	anchoring sleeve on 80x50 mm base plate, 155 mm below ground level
36.375.010	anchoring sleeve on 80x50 mm base plate at ground level
36.376.000	set of 4 anchoring corners

### FALCOPERFO SERIES

FalcoPerfo is a very traditional Falco design and a stalwart of the Falco collection. Robust and utilitarian with a high resistance to vandalism, the FalcoPerfo series fits anywhere.

#### 1 FALCOPERFO SINGLE SEAT

These hot-dip galvanised park benches are made of a tubing frame Ø 38 mm with mild-steel strip. Seat made of 2 mm thick perforated steel plate with 25x6 mm slotted holes in a zigzag formation. The ideal bench for positioning in, for example, places which suffer from vandalism.

Dimensions: length 1,800 mm, width 760 mm, height 825 mm.

#### 2 FALCOPERFO SINGLE SEAT WITH FSC

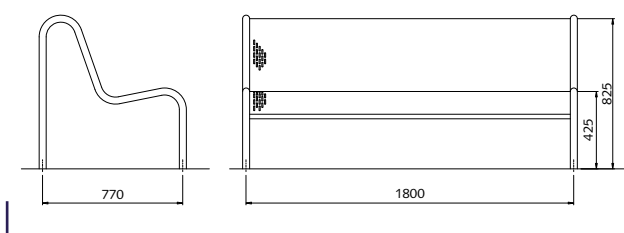
This alternative to the perforated seat uses the same side and supporting frames. Flat steel strips that are welded to the tubing of the side frames support the FSC certified hardwood slats of 55x25 mm.

The slats go smoothly in the frame work.

#### 3 FALCOPERFO DOUBLE SEAT

With this model two seats are welded onto two uprights with a profil of 80 mm in the middle. The uprights have a welded base plate of 300x300 mm on 150 mm below ground level.

FalcoPerfo single bench, art.nr. 36.001.006



© The mark of responsible forestry.

CU-COC-008530

©1996 Forest Stewardship Council



## 1 FALCOPERFO PICNIC TABLE

The picnic set seats 8 people and comprises of two benches without back support and a table.

The picnic set is 1,800 mm long.

A perforated steel plate is welded into the tubing frame.

This creates a completely contemporary unit.

## 2 FALCOPERFO BENCH

A modest though functional seat solution you can have by choosing our perforated bench without backrest.

Together with a table and a bench with backrest you can create a fine picnic set.

Also, look at the accompanying litter bin on page 93.

## 3 FALCOPERFO TABLE

In order to obtain a picnic set from loose parts we offer you this table with a perforated steel surface.

It goes well with the bench with and without backrest.

The advantage of perforated steel is that rain or snow will fall through easily so they are dry and usable quickly.

Dimensions: 600mm width x 1800mm long.

## 1 FALCOPERFO PICNIC TABLE

Part code	Description
36.051.006	FalcoPerfo picnic set for 8 persons
36.051.700	additional charge for powdercoating in a RAL colour

## 2 FALCOPERFO BENCH WITHOUT BACK

Part code	Description
36.054.106	FalcoPerfo bench without back, length 1,800 mm
36.054.700	additional charge for powdercoating in a RAL colour

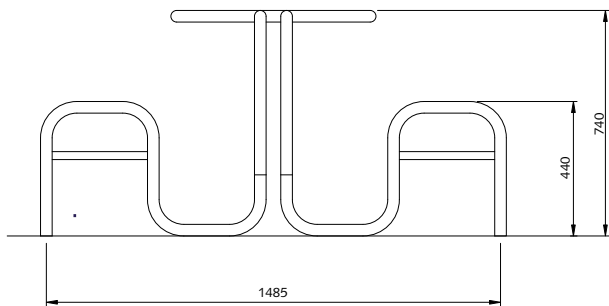
## 3 FALCOPERFO TABLE

Part code	Description
36.056.006	FalcoPerfo table
36.056.700	additional charge for powdercoating in a RAL colour

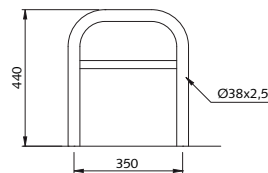
## 4 FALCOPERFO ANCHORING SLEEVES

Part code	Description
36.375.000	anchoring sleeve on 80x50 mm base plate, 155 mm below ground level
36.375.010	anchoring sleeve on 80x50 mm base plate at ground level
36.376.000	set of 4 anchoring corners

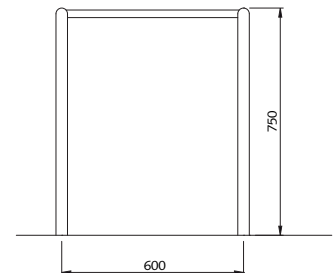
FalcoPerfo picnic table,  
Part code 36.051.006



FalcoPerfo bench without back,  
Part code 36.054.106



FalcoPerfo table,  
Part code 36.056.006





**DESIGN 5000 SEATING SYSTEM**

Part code	Description
35.501.800*	seat for straight version
35.511.800*	seat for inner circle, 30°
35.521.800*	seat for outer circle, 30°
35.531.800*	arm rest
35.541.800*	single-sided bench console
35.542.800*	double-sided bench console
35.551.800*	cross tie-bar without footing, for straight seat
35.552.800*	cross tie-bar with footing, for straight seat
35.561.800*	cross tie-bar for inner circle without footing
35.562.800*	cross tie-bar for inner circle with footing
35.571.800*	cross tie-bar for outer circle without footing
35.572.800*	cross tie-bar for outer circle with footing
35.591.800*	cover cap for bench console
35.595.800*	ground anchor as contra for footing

**You can choose from 12 standard colours:**

RAL 3003, ruby red	RAL 7032, pebble grey
RAL 3005, wine red	RAL 8019, grey brown
RAL 5000, violet blue	RAL 9005, jet black
RAL 5022, night blue	RAL 9010, pure white
RAL 6009, fir green	RAL 9006, white aluminium
RAL 7022, umbra grey	RAL 9007, grey aluminium

**DESIGN 5000 SEATING SYSTEM**

With the Design 5000 we have extended our range with multilateral furniture with an attractive and timeless design.

An important thought behind the design is the possibility to combine different variations to put in a row. Because of this you can harmonize this product with the available environment.

An arrangement with bench elements either in a straight or curved line, single-sided or double-sided. With the Design 5000 almost every wish can be fulfilled.

Even S-turns are no problem with Design 5000.

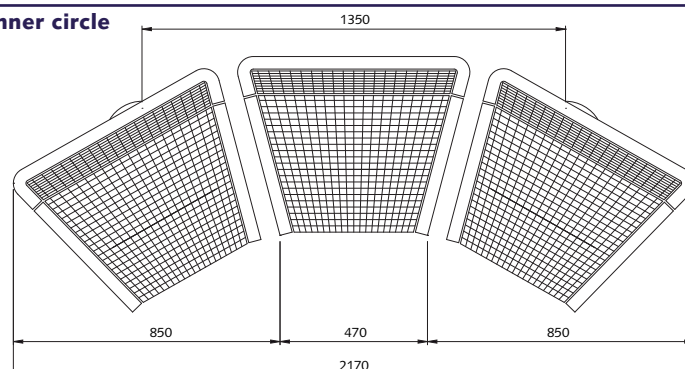
Because of the many possibilities the Design 5000 is presented as a modular system where every part is available separately.

Because of the possible arm-rests between the seating elements you create separate seats without losing the look of a bench with the Design 5000.

The Design 5000 can be used both indoors or outdoors. The steel parts are very well protected because of galvanisation and a powder coating layer in a standard colour.

The whole construction is very robust with the flat steel sections combined with formed wire of 4 mm, 5 mm and 6 mm respectively.

**Design 5000, 3 seat for inner circle**





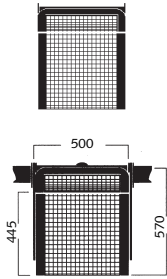
## 1 DESIGN 5000 SEATING ELEMENTS

With wall brackets you can fix the bench consoles to a wall.

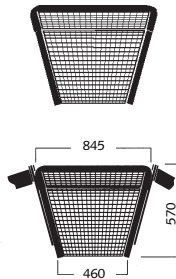
A traverse then is not necessary.

To obtain a mobile version we can supply single- and double-sided footings.

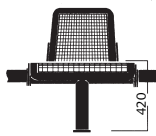
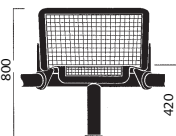
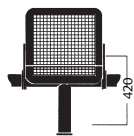
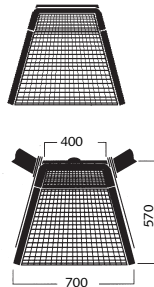
**35.501.800**  
straight



**35.511.800**  
inner



**35.521.800**  
outer



**35.551.800**  
straight

**35.561.800**  
inner circle

**35.571.800**  
outer circle

**35.531.800**  
arm rest



**35.541.800**  
single-sided



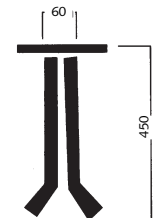
**35.542.800**  
double-sided



**35.590.800**  
wall bracket



**35.595.800**  
ground anchor



## DESIGN 5000 SEATING ELEMENT SUPPORTS

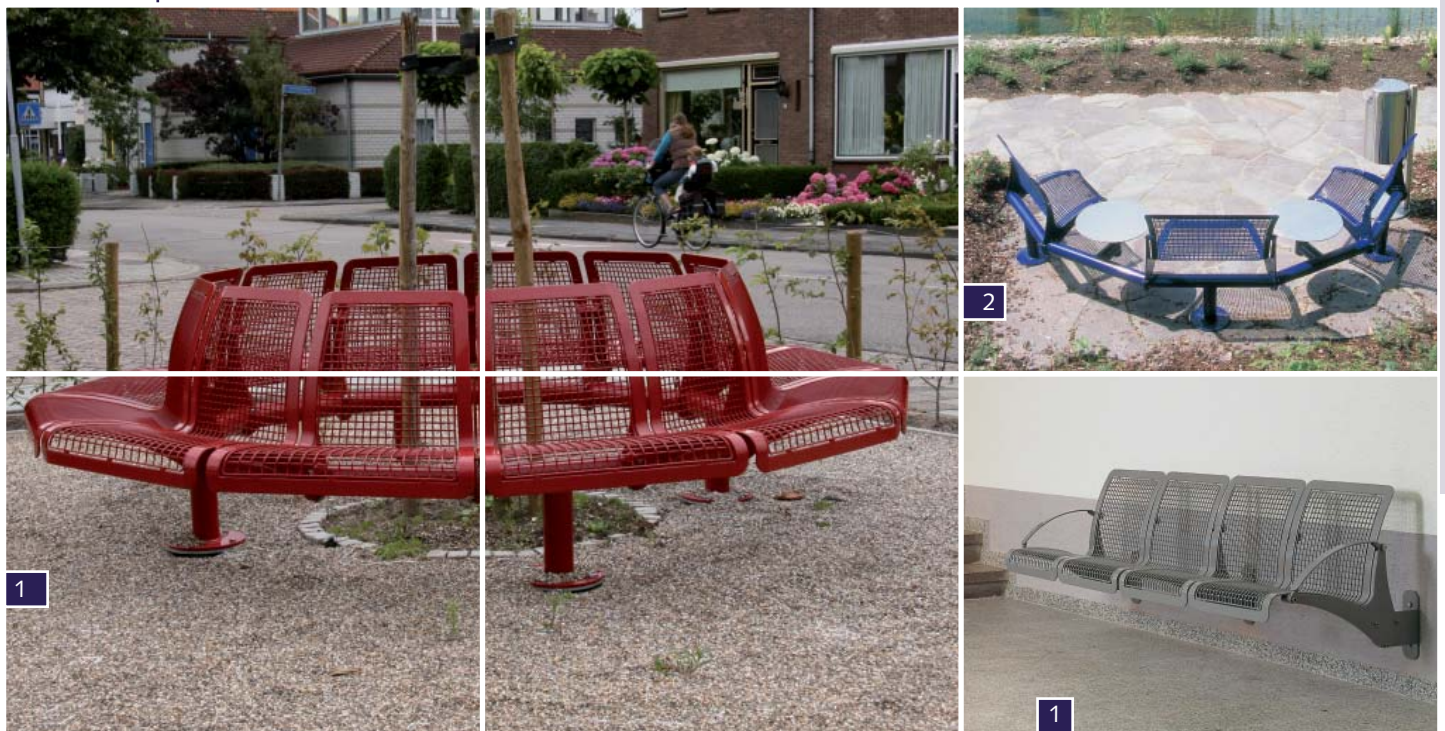
Part code	Description
35.590.800*	wall bracket
35.580.800*	mobile support for single-sided bench
35.581.800*	mobile support for double-sided bench
35.585.800*	mobile support for inner circle single-sided bench
35.586.800*	mobile support for outer circle single-sided bench

You can choose from 12 standard colours:

RAL 3003, ruby red	RAL 7032, pebble grey
RAL 3005, wine red	RAL 8019, grey brown
RAL 5000, violet blue	RAL 9005, jet black
RAL 5022, night blue	RAL 9010, pure white
RAL 6009, fir green	RAL 9006, white aluminium
RAL 7022, umbra grey	RAL 9007, grey aluminium

## 2 DESIGN 5000 TABLE

To realise a nice picnic area you can choose the accompanying table, round 490 mm.





1



3



2

1 SATURN SEAT	
Part code	Description
35.712.800*	Saturn seat for 2 people, length 950mm free standing
35.722.800*	Saturn seat for 3 people, length 1,450mm free standing
35.714.800*	Saturn seat for 4 people, length 1,920mm free standing
35.713.800*	Saturn seat for 2 people, length 950mm installation with ground anchor
35.723.800*	Saturn seat for 3 people, length 1,450mm installation with ground anchor
35.724.800*	Saturn seat for 4 people, length 1,920mm installation with ground anchor
35.595.800*	Saturn seat ground anchor, for fixed installation

2 SATURN TABLE	
Part code	Description
35.790.800*	Saturn table with 2 legs and base plate in RAL

3 JUPITER SEAT	
Part code	Description
35.702.800*	Jupiter seat for 2 people, with arm rests, length 950mm
35.703.800*	Jupiter seat for 3 people, with arm rests, length 1,450mm
35.730.000	Jupiter seat round anchor (note 2 required per bench), price each

**You can choose from 12 standard colours:**

RAL 3003, ruby red	RAL 7032, pebble grey
RAL 3005, wine red	RAL 8019, grey brown
RAL 5000, violet blue	RAL 9005, jet black
RAL 5022, night blue	RAL 9010, pure white
RAL 6009, fir green	RAL 9006, white aluminium
RAL 7022, umbra grey	RAL 9007, grey aluminium

**1 SATURN SEAT**

The Saturn seat is another 'group' seat and available as a two or three seat unit. The seat design is similar to the Design 5000 series but differs by having fixed elements, not modular. Arm-rests on the side are also available from the Design 5000 series. There is also a wall mounted version of the Saturn bench.

Manufactured from hardened flat bar steel, the Saturn furniture is resistant to vandalism and additionally, rounded corners and mesh wire of 4, 5 or 6mm are used for the robust construction. The seats are powder coated in a standard RAL colour.

**2 SATURN TABLE**

To complement the Saturn seat we have developed a co-ordinating table using the same construction. The rectangular table is 1,112mm long and 770mm wide.

**3 JUPITER SEAT**

The Jupiter seat is comprised of the same basic elements as the Saturn described above. Again a very strong seat with hardened flat bar steel, rounded corners and mesh wire of 4, 5 or 6mm are used for the robust construction.

The sub-structure for this seat however consists of free standing supports that also serve as arm-rests. Moreover, these supports give an extra design aspect to the model.

This model is also often used for internal locations. If you do not want it to be a free standing bench then we can offer you special anchor parts for in-ground fixing.

The Jupiter bench is available with two or three seats and has the same advantages as the Saturn bench. The Seats are hot dipped galvanised before powder coating in a standard RAL colour. On request we can also supply a single seat model.



## STRUCTURE SEATING

An appealing and highly practical public furniture range suitable for many locations. Combining a high degree of seat comfort, all weather practicality and attractive design, these seats offer an alternative to the common bench.

By combining seats in an easily communicative arrangement the social aspects of public seating can be maintained. The entire range is stylish and modern and can be installed in any environment, without influencing the character of the surrounding landscape or construction.

The range has two shaped seat shells: with a deep curve or with a shallow curve. These ergonomically formed seats allow the user to sit in a relaxed posture and provide easy access and comfort for the elderly and disabled, plus the form of the seat shells prevents sitting on the backrest.

Additionally planners and architects have a wide variety of products to choose from. From small chairs with or without arm-rests, to armchairs to the matching tables and waste paper baskets, individual furnishings can be combined without any problem – the complete range is not shown here so please call for more information.

The Seats are hot dipped galvanised before powder coating in a standard RAL colour.

Alternatively there is a stainless steel range which can be in polished or matt finish.

### 1 STRUCTURE SEATING DEEP CURVE

Part code	Description
35.101.800*	Structure seat deep, no support powder coated in RAL
35.122.800*	Structure seat deep, support SGD ½ (photo 1A) powder coated
35.131.000	Structure seat deep, ground anchor
35.125.800*	Structure seat deep, support wall mounted price per pair

### 2 STRUCTURE SEATING SHALLOW CURVE

Part code	Description
35.201.800*	Structure seat shallow, no support powder coated in RAL
35.223.800*	Structure seat shallow, support SGD 5/2 (photo 2A) powder coated

#### You can choose from 12 standard colours:

RAL 3003, ruby red	RAL 7032, pebble grey
RAL 3005, wine red	RAL 8019, grey brown
RAL 5000, violet blue	RAL 9005, jet black
RAL 5022, night blue	RAL 9010, pure white
RAL 6009, fir green	RAL 9006, white aluminium
RAL 7022, umbra grey	RAL 9007, grey aluminium





1 ERGOLAX	
Part code	Description
35.603.800*	Ergolax seat group, with 3 seats in wire mesh, without armrests, below ground fix in RAL
35.660.800*	Ergolax seat arm rest in RAL
2 ELEGANTO	
Part code	Description
35.903.800*	Eleganto seat group, with 3 seats in wire mesh and arm rests, below ground fix in RAL
35.923.800*	Eleganto seat group, with 3 seats in PAG-wood and arm rests, below ground fix in RAL
35.900.800*	Eleganto seat arm rest in RAL
You can choose from 12 standard colours:	
RAL 3003, ruby red	RAL 7032, pebble grey
RAL 3005, wine red	RAL 8019, grey brown
RAL 5000, violet blue	RAL 9005, jet black
RAL 5022, night blue	RAL 9010, pure white
RAL 6009, fir green	RAL 9006, white aluminium
RAL 7022, umbra grey	RAL 9007, grey aluminium

### 1 ERGOLAX

The seat is striking by its' curvaceous, elegant design. It is ergonomically and comfortably formed and invites you to relax.

Exit from the seat for less mobile people is easier due to its height of 460 mm and the supporting arm-rests. The seats are framed by laser formed parts of 6 mm thickness.

The high strength grid mesh of 15x15 mm, made out of 4, 5 and 6mm wire thickness, fully protected against rust by hot dipped galvanising which provides a base for a quality polished surface. The final finish is a quality powder coating. Fixing of the seats on a stable sub frame construction made of vertical tube.

Measurements (excluding arm-rest):

Length 500 mm, depth 600 mm, height 800 mm, seat height 460 mm, length arm-rest 40 mm.

Measurement of side platform:

Length 265 mm, depth 540 mm, height 460 mm.

PAG-wood is a special synthetic resin-pressed wood (pressure 500t) which combines the best attributes of wood and plastic. It is extremely shock, vandal and weather resistant, even against burning from cigarettes. It is also non-absorbent and therefore, hygienic. With regards to Arm-rests, they must be ordered with the seat and cannot be added afterwards.

### 2 ELEGANTO

The seat is striking by its' straight and elegant design. Its light tilt backwards is an invitation for relaxed sitting and rising is easily managed by people with restricted mobility due to arm-rests and the 440mm height of the seat.

The seat is framed by laser formed parts of 6mm thickness. The high strength grid mesh of 15x15 mm, made out of 4, 5 and 6mm wire thickness, is fully protected against rust by hot dipped galvanising which provides a base for a quality polished surface.

Also available in PAG-wood.

Measurements (excluding arm-rest):

Length 500 mm, depth 600 mm, height 800 mm, seat height 440 mm, width arm-rest 40 mm.

Measurement of side platform:

Length 265 mm, depth 630 mm, height 440 mm.



## ERGOLAX PARK SEAT

In addition to the individual seating rows, the Ergolax range of seating also includes a park seat, which is available in both wire mesh or in PAG-wood. The steel framework is galvanised and powder coated in a standard RAL colour (see box) to create a smooth finish. The seat is available in longer lengths on request and is delivered un-assembled.

The design has a curve at the front of seat for comfort and has 2 arm rests, length 1,420mm.

### 1 ERGOLAX SEAT WITH WIRE MESH

The Ergolax seat comes as standard with wire mesh finish. The mesh size is 15mm x 15mm square and uses wire in 4, 5, and 6mm gauge for high stability.

The supporting side elements are manufactured from laser cut steel with chamfered edges for safety.

The seat is available with oval base plates for bolting to concrete or with an anchor for below ground fix.

### 2 ERGOLAX SEAT WITH PAG-WOOD

This is the Ergolax seat with PAG-wood instead of mesh. PAG-wood is a combination of; oak, synthetic material and resin bonded under very high pressure. The result is material which exhibits the best qualities of each of the materials with the aesthetics of wood and the strength of synthetics.

The material is has high impact resistance and resistant to burning cigarettes, note it is 3 times heavier than oak. In addition PAG-wood is hygienic in that it has no pores for dirt o food to become trapped in. The seat can be delivered with an oval base plate or with an anchor for below ground fix.

### 1 ERGOLAX SEAT WITH WIRE MESH

Part code	Description
35.754.800*	Ergolax seat in wire mesh, length 1,420mm, with steel framework on base plates, powder coated in RAL

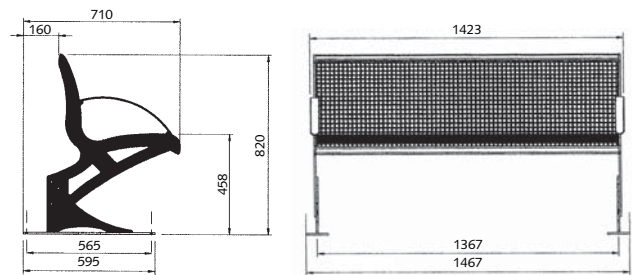
### 2 ERGOLAX SEAT WITH PAG-WOOD

Part code	Description
35.774.800*	Ergolax seat in PAG-wood, length 1,420mm, with steel framework on base plates, powder coated in RAL

#### You can choose from 12 standard colours:

RAL 3003, ruby red	RAL 7032, pebble grey
RAL 3005, wine red	RAL 8019, grey brown
RAL 5000, violet blue	RAL 9005, jet black
RAL 5022, night blue	RAL 9010, pure white
RAL 6009, fir green	RAL 9006, white aluminium
RAL 7022, umbra grey	RAL 9007, grey aluminium

#### Ergolax seat with wire mesh, Part code 37.754.800







### 1 VOLTO SEAT

Part code	Description
35.862.800*	Volto seat, 2 seats with support and base plates
35.863.800*	Volto seat, 3 seats with support and base plates
35.864.800*	Volto seat, 4 seats with support and base plates
35.865.800*	Volto seat, 5 seats with support and base plates

#### You can choose from 12 standard colours:

RAL 3003, ruby red	RAL 7032, pebble grey
RAL 3005, wine red	RAL 8019, grey brown
RAL 5000, violet blue	RAL 9005, jet black
RAL 5022, night blue	RAL 9010, pure white
RAL 6009, fir green	RAL 9006, white aluminium
RAL 7022, umbra grey	RAL 9007, grey aluminium

### 2 VOLTO SEAT STAINLESS STEEL

Part code	Description
05.325.000	Volto seat, perforated stainless steel polished, 40x60mm U profile
05.325.100	Volto seat, perforated stainless steel brushed, 40x60mm U profile
05.326.000	Volto seat, perforated stainless steel polished, 50x60mm U profile
05.326.100	Volto seat, perforated stainless steel brushed, 50x60mm U profile
05.327.000	Volto seat, wall mounting bracket, stainless steel polished
05.327.100	Volto seat, wall mounting bracket, stainless steel matt

### 3 FALCOFLIP

Part code	Description
35.881.000	FalcoFlip seat, with return mechanism
35.881.700	additional price for powder coating in RAL
35.881.100	FalcoFlip seat, wall support for 1 seat
35.881.700	additional price for powder coating in RAL
35.882.100	FalcoFlip seat, wall support for 2 seats
35.882.700	additional price for powder coating in RAL

### 1 VOLTO SEAT

The Volto seating system is a neat, clean design creating a very versatile range which will fit in any context where unobtrusive seating is required. Based on the 'Structure' series, the Volto is manufactured from round tube and 12mm square wire mesh.

The seat is delivered as standard with base plates and can be mounted on a number of sub frames depending on the length of run required. Each seat is 420mm wide with a depth of 350mm. The seat is galvanised and powder coated as standard in any of the following colours

### 2 VOLTO SEAT STAINLESS STEEL

The Volto seat is also available in a stainless steel version. Edged in round steel tube, the seat is available in perforated steel as standard or 12mm square wire mesh as per the galvanised option. Each seat is supplied with a 'U' profile bracket for fixing to a support frame.

### 3 FALCOFLIP

The FalcoFlip is an useful combination of Volto Seat with a spring return mechanism - ideal for bus stops and temporary waiting areas where space is an issue. When not in use, the seat sits vertical, it can then be easily folded down for sitting and when the user leaves, the seat automatically returns to the vertical position.

Manufactured in robust steel, the FalcoFlip is hot dip galvanised to BS EN ISO 1461 and can be powder coated in any of the 192 RAL colours.



## FALCOPRIO SEATING

The FalcoPrio range is a budget range of steel and mesh seating, but does not lose any of its robust and vandal proof nature. A highly utilitarian range, the FalcoPrio is ideal for use where eating is a must but design is secondary.

Single seat or several seats combined are easily fixed to a sub-frame of rectangle steel 40x60mm, with a column for in-ground fixing or with a flange for surface mounting.

All steel parts are hot dip galvanised to BS EN ISO 1461 and are subsequently powder coated in any of the standard RAL colours (see box opposite).

### DIMENSIONS:

height:	850 mm
seat-height:	460 mm
depth:	650 mm
length:	460 mm

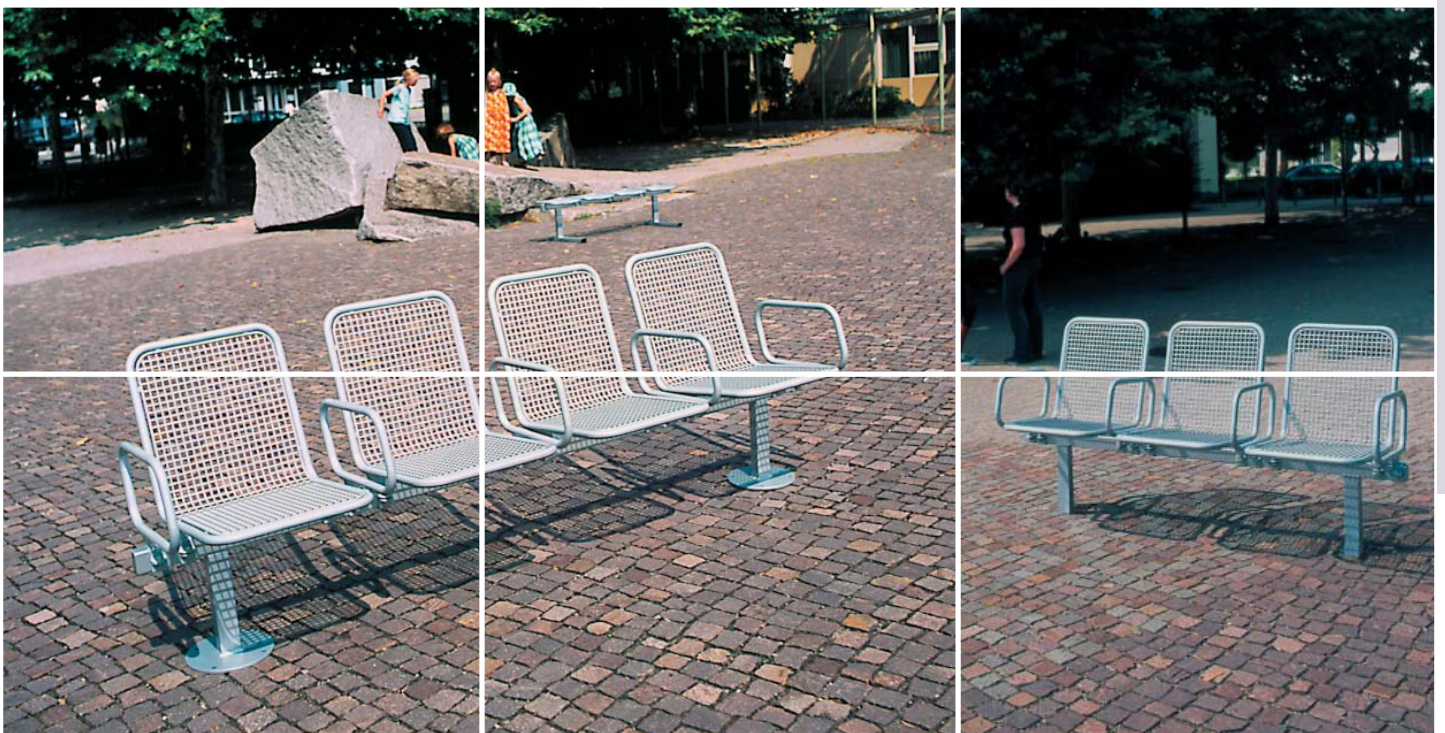
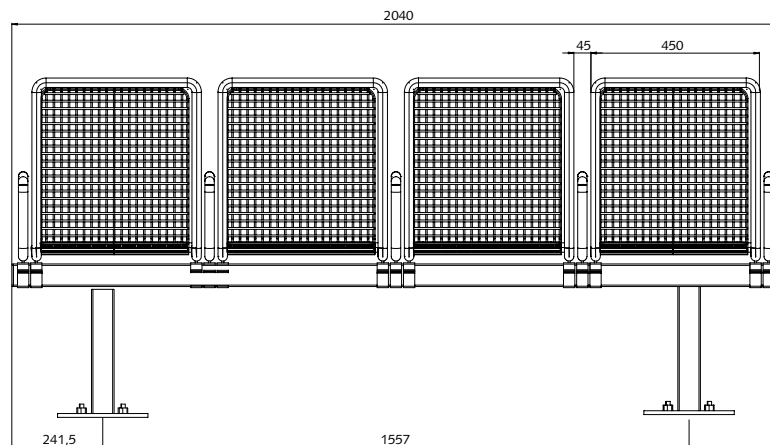
## FALCOPRIO

Part code	Description
35.001.800*	FalcoPrio seat to mount on support
35.003.800*	FalcoPrio armrest
35.032.800*	FalcoPrio support for 2 seats, on base plates
35.033.800*	FalcoPrio support for 3 seats, on base plates
35.034.800*	FalcoPrio support for 4 seats, on base plates

### You can choose from 12 standard colours:

RAL 3003, ruby red	RAL 7032, pebble grey
RAL 3005, wine red	RAL 8019, grey brown
RAL 5000, violet blue	RAL 9005, jet black
RAL 5022, night blue	RAL 9010, pure white
RAL 6009, fir green	RAL 9006, white aluminium
RAL 7022, umbra grey	RAL 9007, grey aluminium

### Part code 35.034.800





1   TRIBUNE	
Part code	Description
39.520.x00*	Tribune seat with seat-back
2   LUNAROSA WITH BACK	
Part code	Description
39.500.x00*	LunaRosa seat with backrest of treated Iroko
39.501.x00*	LunaRosa bench without back

**There is a choice of 5 colours which are recognized by the 6th. figure of the Part code:**

xx.xxx.0xx = pink	xx.xxx.1xx = gray
xx.xxx.2xx = green	xx.xxx.3xx = salt and pepper
xx.xxx.5xx = yellow	

**1 | TRIBUNE SEAT**

The Tribune seat is a majestic design from our 'Vasart' range of stone street furniture. A truly 'statement making' piece of furniture, the Tribune with its refined stainless back rests and clad central column, has a commanding presence.

Supported on three Ø400mm cylindrical columns, the Tribune has sweeping lines. Manufactured from a bonded marble aggregate and synthetic staple, the seat has the aesthetics of marble combined with the functionality of solid granite.

Dimensions: length 4,000mm, width 750mm. Weight 1,550kg.

**2 | LUNAROSA**

LunaRosa is another stylish aggregate seat to add flair and depth to a scheme. The LunaRosa bench consists of two cylindrical shaped concrete pillars round 325 mm on which a curved seat (bench with back) or a straight seat (bench without back) is located.

The surface of the concrete pillars and seat is smooth, the round sides are bush-hammered. The bench stands independently.

Dimensions LunaRosa with back: length 2,100 mm, depth 900 mm, height 900 mm, weight 385 kg.

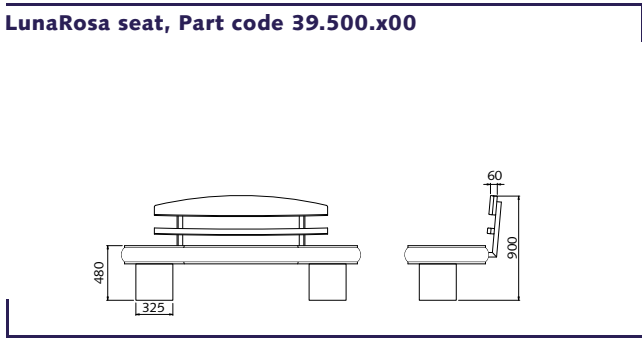
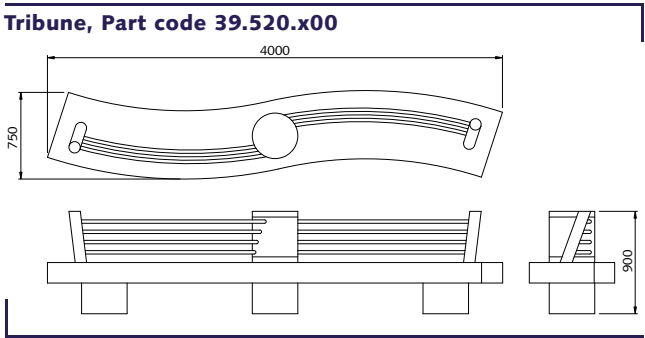
Dimensions LunaRosa without back: length 2,100 mm, depth 500 mm, height 480 mm, weight 315 kg.

**CO-ORDINATED PRODUCTS**

Litter bins page no. 105. Bollards page no. 130 and 131.  
Planters page no. 136 and 137.

**N.B.**

We have produced an expanded brochure showing **all** of the "Vasart" range of products, with some great ideas for parks and gardens - all for a copy!





**1 ELBA**

A beautiful bench built from an ellipse and two cylinders in a timeless look. Because the division line between the two shapes falls inside, the difference between seating and support elements is emphasized even more. This bench will look great in urban zones as well as the green zones.

The concrete parts are made up a mix of cement, marble grit and has a zinc armament. The bench has a friendly appearance because of the smoothly finished exterior.

Length 1750 mm, height 450 mm, width 550 mm. Weight 260 kg.

**2 RONDINE**

The Rondine bench has sensuous flowing lines providing a stunning design. Available with or without back rest, the style would look at home on any prestigious site.

The concrete parts are made up of a mix of cement, marble grit and the bench has a zinc armament.

Finished partly smooth and partly rough gives this bench extra character.

Two versions differentiate in the presence of a back with a hollow flowing foot or in the absence of a back with a spherical flowing foot.

**Elba, Part code 39.505.x00**



**1 ELBA**

Part code	Description
39.505.x00*	Elba bench

**2 RONDINE**

Part code	Description
39.510.x00*	Rondine seat with back
39.515.x00*	Rondine bench without back

**There is a choice of 5 colours which are recognized by the 6th. figure of the Part code:**

xx.xxx.0xx = pink

xx.xxx.1xx = gray

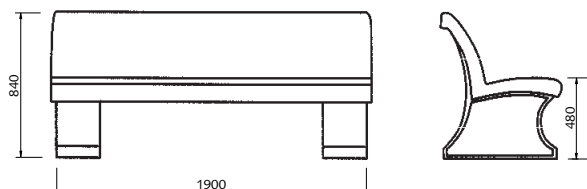
xx.xxx.2xx = green

xx.xxx.3xx = salt and pepper

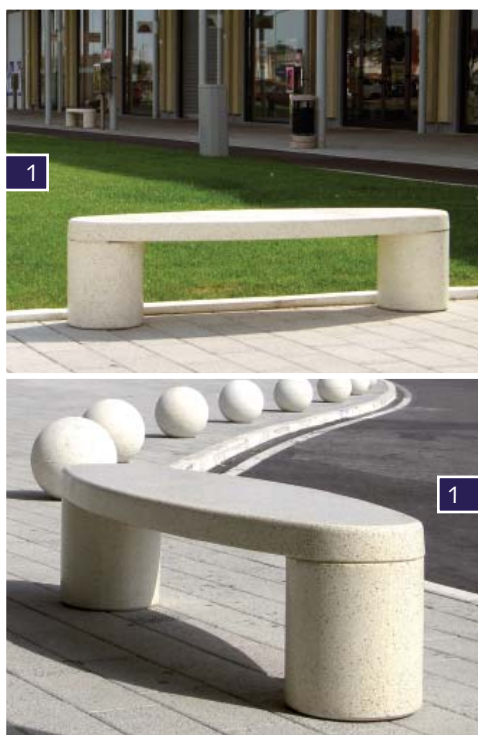
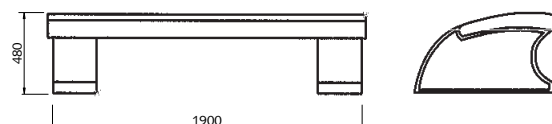
xx.xxx.5xx = yellow

**N.B.** Co-ordinated products are available for these designs.

**Rondine wit back, Part code 39.510.x00**



**Rondine without back, Part code 39.515.x00**





1 FALCOGRANITE MODULAR BENCH	
Part code	Description
07.300.015	FalcoGranite bench, starter section, black granite
07.305.015	FalcoGranite bench, intermediate section, black granite

2 FALCOGRANITE RECTANGULAR BENCH	
Part code	Description
07.310.015	FalcoGranite bench, length 1,500mm

**FALCOGRANITE BENCH**

The FalcoGranite range comprises a complete co-ordinated range of street furniture products, creating a cool and solid design statement. The FalcoGranite seating range is a modular series of chiselled granite blocks with polished sitting surfaces.

**1 FALCOGRANITE MODULAR BENCH**

The modular FalcoGranite seat is a combination of starter and intermediate 600mm square sections. This modular system enables planners to create a group of seats of different shapes and sizes to suit large or small schemes.

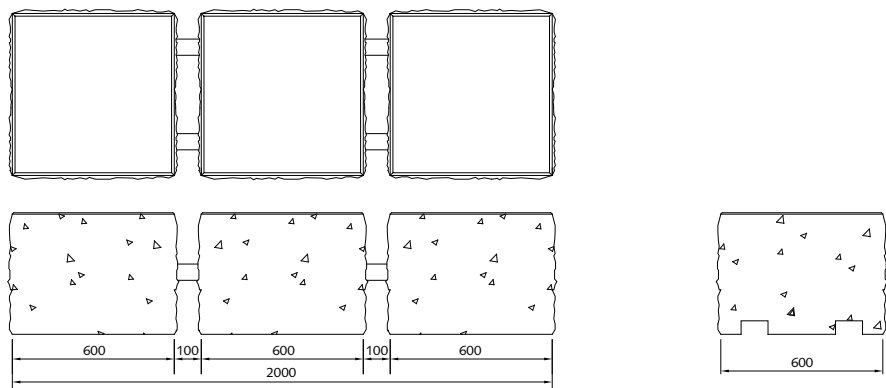
The blocks are coupled using stainless steel tubes. The site height of the seat is 450mm and there is 100mm gap between each module.

**2 FALCOGRANITE RECTANGULAR BENCH**

The FalcoGranite bench is a solid slab of chiselled granite which complements the modular seats. With the same polished surface, the bench has the same sit height of 450mm and the same width of 600mm, but with a length of 1,500mm.



granite elements, 2x Part code 07.300.015 + 1x Part code 07.305.015 + 2x Part code 07.300.300





## VASART

The Riviera series is a part of the large 'Vasart' range of co-ordinated street furniture. The range is manufactured from a reinforced bonded aggregate of marble grit and synthetic staples to give a highly aesthetic group of products which have great functionality – call us for a full range Vasart brochure.

### 1 RIVIERA SEAT

The Riviera seats are a harmonious combination of geometric elegance and functionality. A very solid seat, the Riviera is highly vandal resistant whilst giving an urban area a real lift. Surfaces are partially bush hammered and there is a rainwater gutter integral to the seat. Dimensions: length 1,800mm, width 780mm sit height 480mm. Weight 695kg.

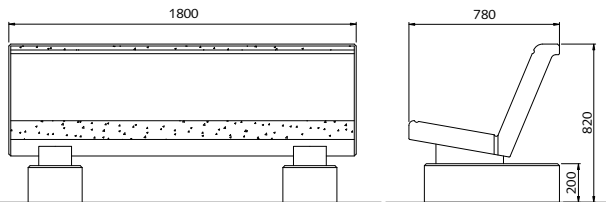
### 2 RIVIERA BENCH

This is a flat bench version of the above seat, utilising the same mounting feet and surface finish. A highly functional bench with a high sit height. Dimensions: length 1,800mm, width 600mm, sit height 500mm. Weight 470kg.

### 3 QUARZINA SEAT

The Quarzina seats are an elegant and modern alternative to the Riviera integrating wood with the Vasart aggregate. Again the surfaces are partially bush hammered and the wood slats are manufactured from treated Iroko hardwood. Dimensions: length 1,800mm, width 700mm, sit height 450mm. Weight 330kg.

#### Riviera seat



### 1 RIVIERA SEAT

Part code	Description
39.201.x06*	Riviera seat with back rest

### 2 RIVIERA BENCH

Part code	Description
39.202.X06*	Riviera bench without back rest

### 3 QUARZINA SEAT

Part code	Description
39.204.x*00	Quarzina seat with back rest

### 4 QUARZINA BENCH

Part code	Description
39.205.x*00	Quarzina bench without back rest

There is a choice of 5 colours which are recognized by the 6th. figure of the Part code:

xx.xxx.0xx = pink	xx.xxx.1xx = gray
xx.xxx.2xx = green	xx.xxx.3xx = salt and pepper
xx.xxx.5xx = yellow	

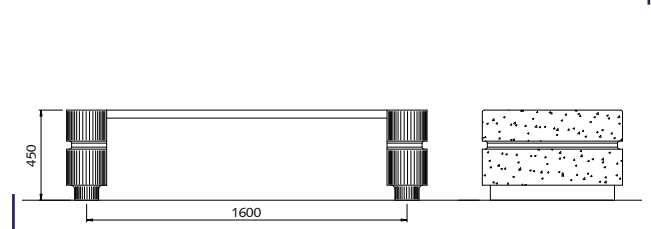
### 4 QUARZINA BENCH

The Quarzina is also available without a back rest, representing a sturdy park bench. Dimensions: length 1,800mm, width 700mm, sit height 450mm. Weight 260kg.

## CO-ORDINATED PRODUCTS

Litter bins page no. 105. Bollards page no. 130 and 131.  
Planters page no. 136 and 137.

#### Quarzina bench





**EXAMPLE PHOTO 1 - POUF**

Qty	Description
1	seat top, 650x650x130mm, black
1	sub-frame, 650x650x85mm, grey
4	short legs, 85x85x225mm, grey

**EXAMPLE PHOTO 2 – LOUNGE COUCH**

Qty	Description
1	backrest, 330x210x650mm, black
2	seat top, 650x650x130mm, black
4	sub-frame, 650x1,300x85mm, grey
1	short legs, 85x85x225mm, grey

**EXAMPLE DRAWING 3 – CHAIR**

Qty	Description
1	backrest, 330x210x650mm, black
1	seat top, 650x650x130mm, black
1	sub-frame, 650x650x85mm, grey
4	short legs, 85x85x225mm, grey

**IN THE MOOD - CONCEPT**

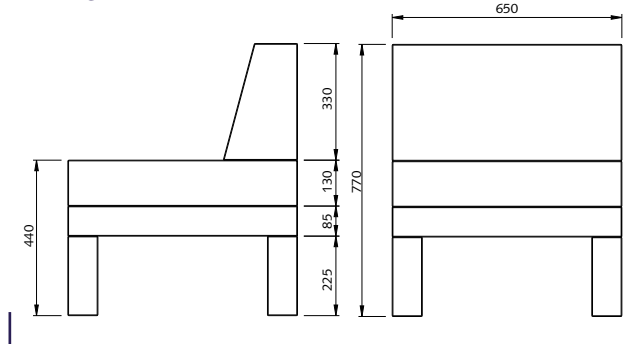
'In the Mood' is unique - a totally modular system of architectural elements which are designed for the construction of bespoke outdoor communal areas. This atmospheric range of seating and table components designed by Buitenom, enables the user to find a place to relax in a way which suits their mood. You can relax on a grand sofa, picnic on a table with colleagues or relax with your laptop on the corner couch.

In the Mood is a kind of 'DIY kit'. It is conceptual outdoor furniture system manufactured solely from cut granite. Standard elements give landscape architects numerous possibilities and combinations for creativity. The costs are low, foundations are not necessary and the design is vandal resistant.

The granite elements are formed in standard dimensions as follows:

Low height	440mm (pouf, sit height)
Overall height	770mm (tables, seat back rest)
Width	650mm (all products)
Seat thickness	130mm (all products)
Sub-frame thickness	85mm (all products)

**Drawing 3: In the Mood Chair**



The possibilities are endless, but here we have assembled some typical arrangements (see photos) which include: chair, couch, lounge couch, corner couch, pouf, tables high and low (3 sizes: 325, 650 or 1,300mm long).



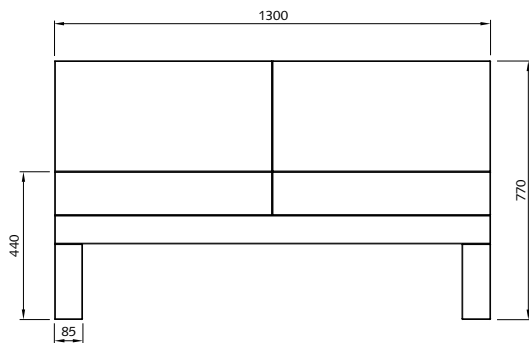
## IN THE MOOD - CONSTRUCTION

The 'In the Mood' concept has been designed with the urban landscape in mind; parks, city centres, squares, gardens, institutions outdoors or indoors. Landscape architects, project developers, town planners and other designers of the public space can display high level of creative freedom. The only limitation of creativity is the limit of the imagination.

In addition the range has a number of advantages, including being maintenance free. The heavy construction prevents unwanted moving and makes the installation vandal resistant, plus foundations are not necessary, though concrete feet may be preferred to secure the table feet.

The standard colour combination is grey and black granite, but other colour possibilities of this product are available on request to create interesting contrasts depending on quantities. The standard finish consists of mat or shiny surface. In terms of manufacture, components are pinned and glued to other elements to create a solid and rigid structure.

**Drawing 3: In the Mood Sofa**



## EXAMPLE PHOTO 1 – SQUARE TABLE HIGH

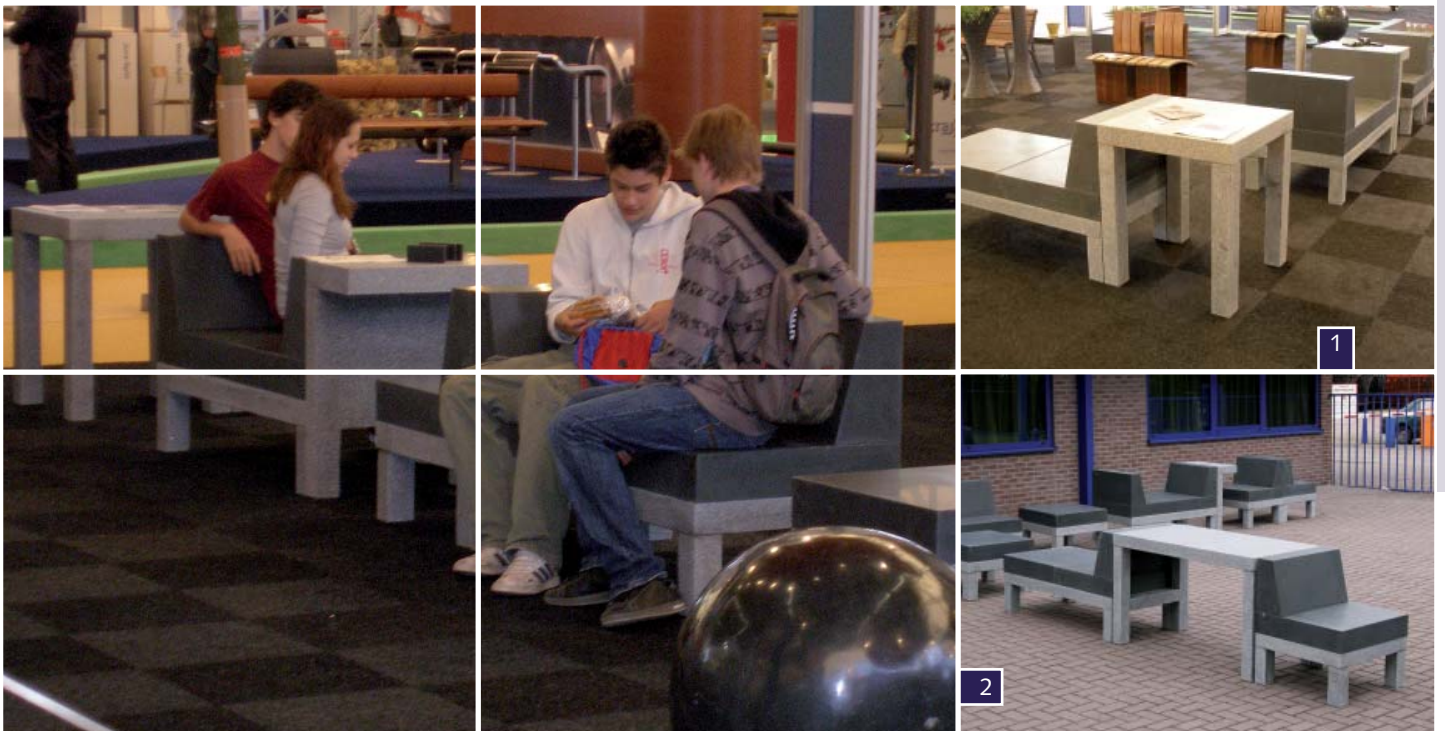
Qty	Description
1	sub-frame, 650x650x85mm, grey
4	long legs, 85x85x685mm, grey

## EXAMPLE PHOTO 2 – LONG TABLE HIGH

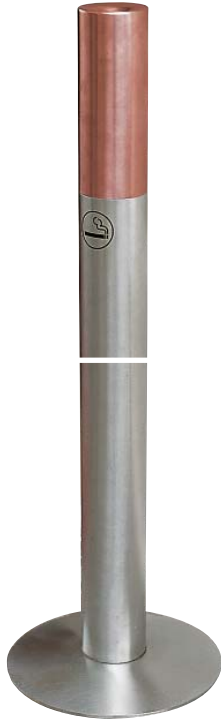
Qty	Description
1	sub-frame, 650x1,300x85mm, grey
4	long legs, 85x85x685mm, grey
2	stretchers, 850x850x480mm, grey (optional)

## EXAMPLE DRAWING 3 – SOFA

Qty	Description
2	backrest, 330x210x650mm, black
2	table top, 650x650x130mm, black
1	sub-frame, 650x1,300x85mm, grey
4	short legs, 85x85x225mm, grey



1



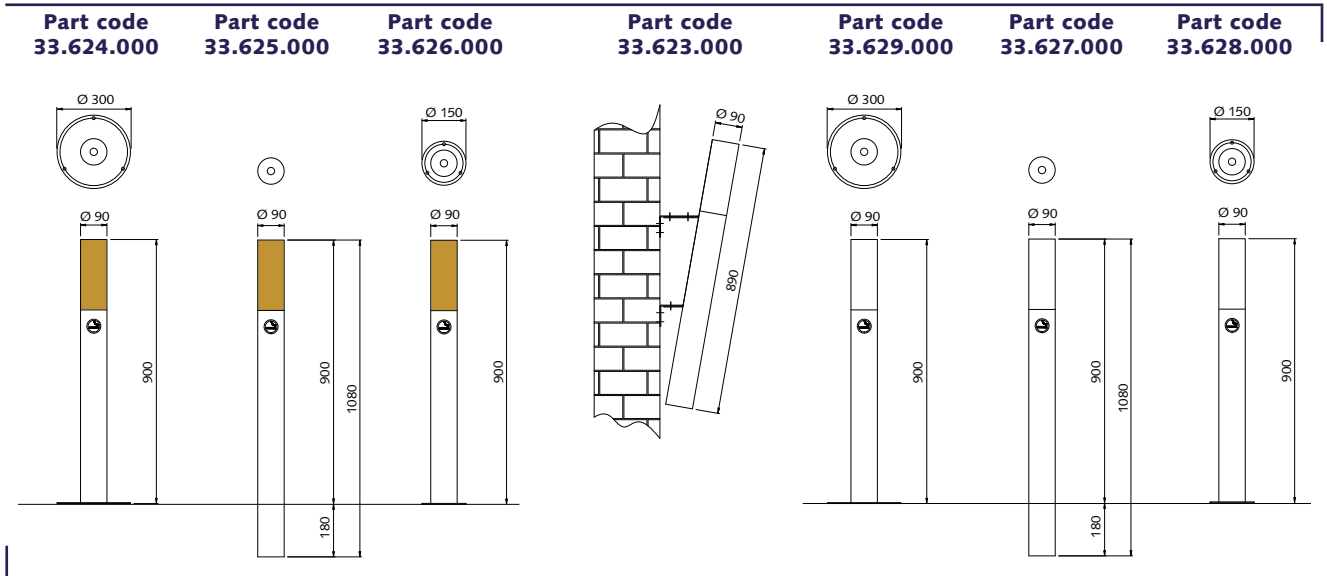
1 CYCAS ASHTRAY, COPPER TOP	
Part code	Description
33.624.000	Cycas ashtray, free standing
33.625.000	Cycas ashtray, extended tube for below ground installation
33.626.000	Cycas ashtray, with base plate to bolt down
2 CYCAS ASHTRAY, WALL MOUNTED	
Part code	Description
33.623.000	Cycas ashtray, stainless steel top
33.623.100	Cycas ashtray, copper top
3 CYCAS ASHTRAY, STAINLESS STEEL	
Part code	Description
33.629.000	Cycas ashtray, free standing
33.627.000	Cycas ashtray, extended tube for below ground installation
33.628.000	Cycas ashtray, with base plate to bolt down

**1 CYCAS ASHTRAY**

The Cycas ashtray is a simple, yet stylish and discrete solution to the ever increasing problem of the disposal of cigarette butts. It is made from 90mm diameter stainless steel tubing (grade 304) making it robust durable and easily maintainable.

The removable top enables emptying to become a, quick, clean and easy process. The top is also available in copper to give the unit a 'cigarette look'.

All Cycas's have a clearly visible no smoking logo, and are available free standing, bolt down with base plate, wall mounted or with an extended tube for installation below ground.





## 1 M2 ASHTRAY

The M2 is a wall mounted ashtray, that is galvanised and powder coated and available in a choice of RAL colours the central cover hole is in stainless steel. The unit has a capacity of 3 litres. All are supplied with the no smoking logo.

## 2 TOWER COLUMN ASHTRAY

The Tower Column ashtray is a classic minimalist yet functional design for outdoor use which blends with any urban landscape. The ashtray consists of a base Ø160mm supporting an Ø110mm column both are manufactured from die-cast aluminium painted with a polyester resin powder coating for outdoor use. The column is topped with an ashtray manufactured from grade 304 stainless steel, beaded and painted (or natural, upon request), Ø245x50mm.

The Column ashtray is available in two heights, either 860mm or 1100mm. The column is fixed to the ground by means of bolts and dowels at three points on the bottom flange. Fischer fixing bolts and dowels and white sand are included with the kit. Weight 2kg.

There is also a wall mounted version available (not shown).

## 1 M2

Part code	Description
33.620.800*	M2 ashtray, wall mounted, powder coated

\*You can choose from 11 standard colours:

RAL 1007, daffodil yellow	RAL 3000, fire red
RAL 3005, wine red	RAL 4004, violet bordeaux
RAL 5013, cobalt blue	RAL 6009, pine green
RAL 6005, moss green	RAL 6029, mint green
RAL 7016, anthracite grey	RAL 9005, deep black
RAL 9007, grey aluminium	

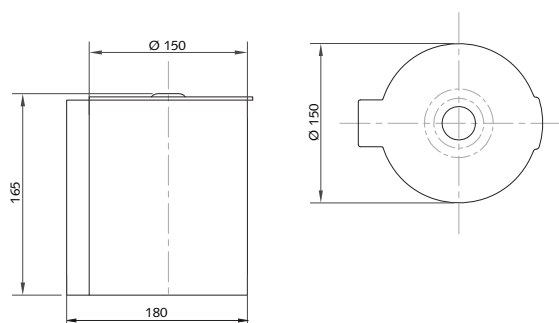
## 2 TOWER ASHTRAY

Part code	Description
38.890.800	Tower Column Ashtray 860mm high
39.891.800	Tower Column Ashtray 1100mm high

## 3 CENICERO

Part code	Description
33.522.000	CeniCero ashtray 120x120x355mm high, wall mounted, powder coated in RAL 8016
33.554.000	CeniCero ashtray 160x160x1000mm high, with base plate for ground fixing, powder coating in RAL 8016

## M2



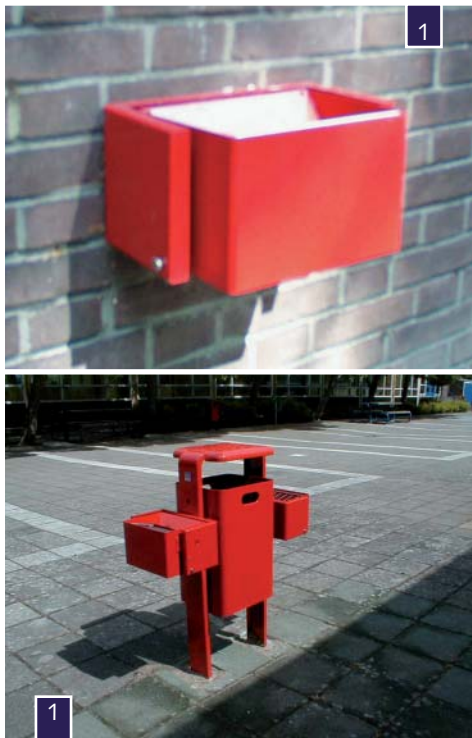
## 3 CENICERO ASHTRAY

fdpline®

The CeniCero is made of galvanized steel and available in two sizes, 355mm high (120x120mm) to be fitted to the wall or 1000mm high (160x160mm) for ground fixing.

The stubbing plate area is made of 304 stainless steel, the whole design is practical and helps to make it easy to empty and maintain. The no smoking logo is fixed to the front of the unit.





1 TEMPO ASHTRAY	
Part code	Description
33.150.000	Tempo ashtray for wall and support installation
33.150.700	additional price for powdercoating ashtray in RAL
33.150.710	additional charge powdercoating litter bin in RAL and holder in RAL
33.153.000	Tempo ashtray on post ø 60 mm
33.154.000	Tempo ashtray on post ø 76 mm
33.157.000	Tempo ashtray support on flat steel plate
33.157.700	additional charge for powdercoating in RAL
33.391.000	triangular key
2 ROTHMAN ASHTRAY	
Part code	Description
33.159.000	Rothman ashtray for wall mounting
33.159.700	additional charge fo powdercoat in RAL colour
33.391.000	triangular key

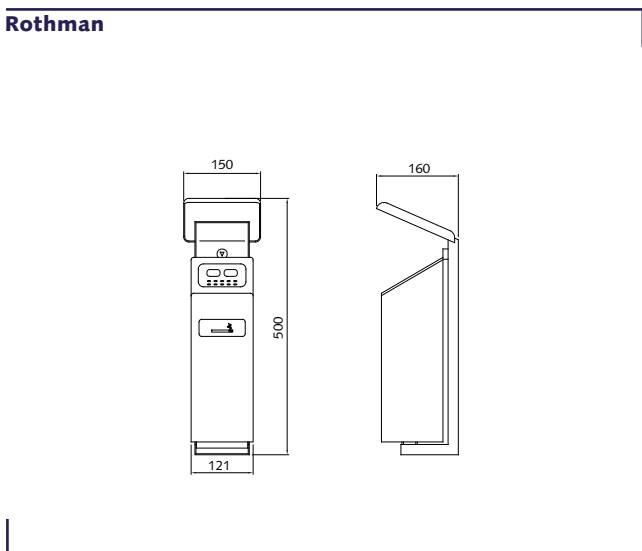
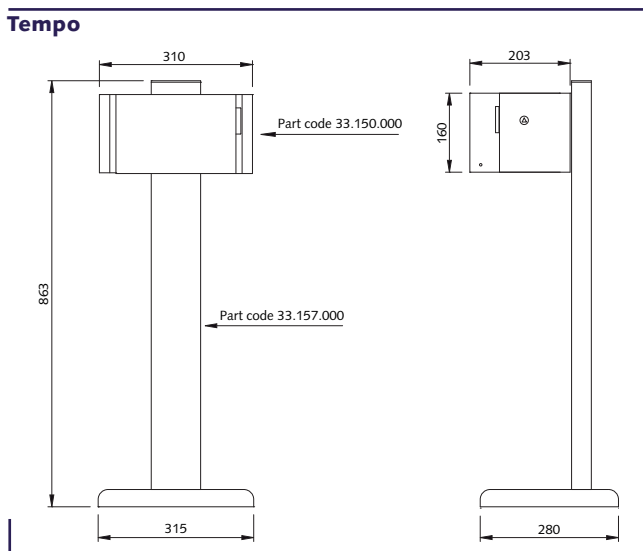
**1 TEMPO ASHTRAY**

The Tempo is a rugged ashtray that can be offered as a stand alone post mounted or wall mounted unit. It can also be added to the rectangular and hexagonal range of litter bins to offer a litter and cigarette solution to most locations.

Access to allowing emptying is by use of a triangular key  
 Dimensions: 305x158x210 mm, net 245x158x153 mm.

**2 ROTHMAN ASHTRAY**

A fine wall mounted ashtray available in a range of RAL colours with a stainless steel perforated stubbing plate.  
 The body of the ashtray is in galvanised steel. Emptying of the bin is done through the use of a triangular key.





## FALCOULTIMO

The FalcoUltimo litter bin's design is fresh and functional and has been developed in association with the KVD Bureau in Amsterdam, Holland, their experiences and observations have influenced the shape and operation of the litter bin.

It's slim line profile is ideal in a world where the minimising of 'street clutter' and ease of movement on our streets is becoming a necessity.

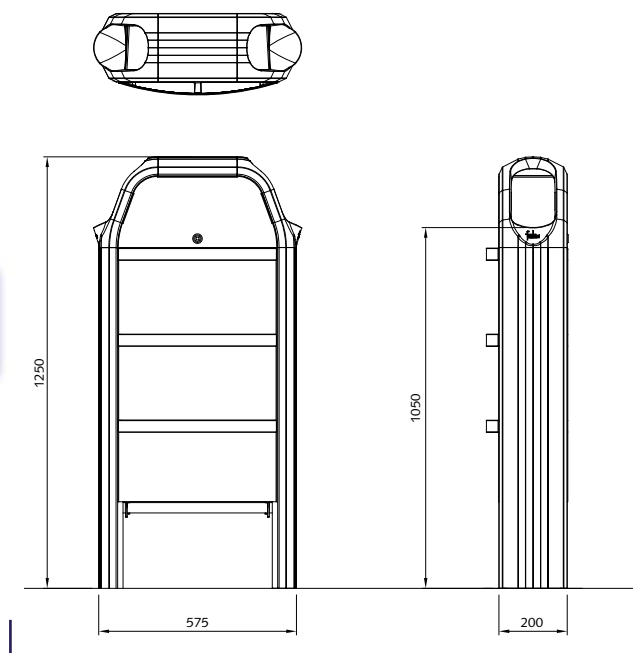
For ease of emptying by the operator, the bin liner/body has functional decorative banding that are used as aids to help grasp it in the lifting and emptying process.

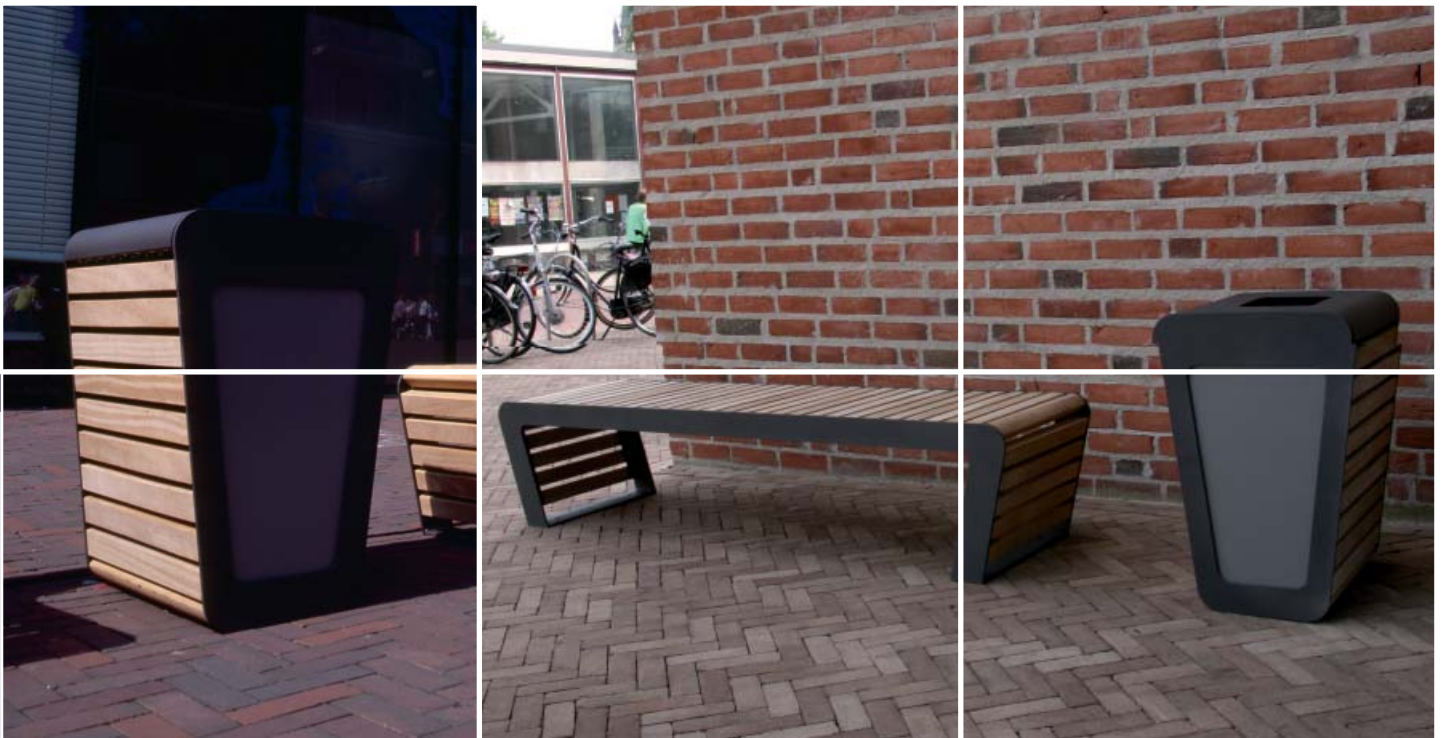
Capacity is approximately 55 litres.

## FALCOULTIMO

Part code	Description
33.330.000	FalcoUltimo litter bin ground fixed including powder coating in 2 RAL Colours

### FalcoUltimo





FALCOLINEA	
Part code	Description
31.528.021	FalcoLinea litter bin with FSC timber
33.391.000	triangular key

**FALCOLINEA**

The FalcoLinea range mingles traditional materials with modern design, and are ideally suited to any urban environment including Shopping Centres, Parks, Town Squares/Plaza's and Corporate Buildings.

FalcoLinea can offer an opportunity to relax in style and comfort and enjoy the surroundings. The aesthetic choice and combination of the natural colour of wood with hot dip galvanised steel, and if required a powder coated finish in a choice of 192 standard RAL colours. With it's complementary range of products it is the complete answer to any street scene.

**FALCOLINEA CO ORDINATED PRODUCTS**

Benches page no. 14.

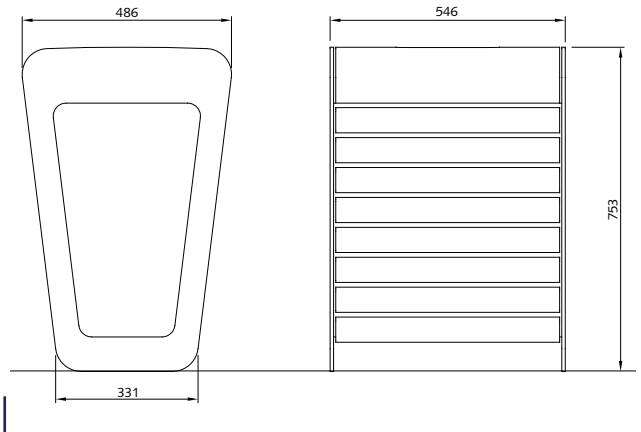

 The mark of responsible forestry.  
**CU-COC-008530**  
 ©1996 Forest Stewardship Council

**1 FALCOLINEA LITTER BIN**

The litterbin can be free standing or fixed to the ground or even have a concrete block attached to the base to add extra stability.

Litter bin capacity is 80 litres.  
 Overall Height 753mm, width at the top 486mm, width at the bottom 331mm,  
 Depth 546mm, with an opening of 190 x 240mm.

**FalcoLinea**





## TRIANGLE

The Triangle range of products from Falco is a coordinated range of street furniture characterised by its fresh eye catching design, its functionality and its durability. The range consists of; shelters, canopies, benches and seating, litter bins, bollards and cycle parking systems.

The range also benefits from the versatility of the material options available: a range of aggregates can be used to create either light cream supports or heavier appearance darker mounts to contrast with the hardwood slats. Similarly, the range can be made in either stainless steel or powder coated in any of the 192 RAL colours.

The litter bin has a very useable open top design and is opened by using a triangular key in the side door.

It can be supplied either freestanding or can be bolted down by using expansion bolts as required by the surface to be fixed too. Litter bin capacity is 44 litres.

## TRIANGLE

Part code	Description
33.511.017	Triangle litter bin, free-standing, with stainless steel panels quality 316 between 2 natural stone elements (green/black), dimension 440x440 mm, contents approx. 44 litres, weight 140 kg, opening 180x180 mm, with internal container

## TRIANGLE CO ORDINATED PRODUCTS

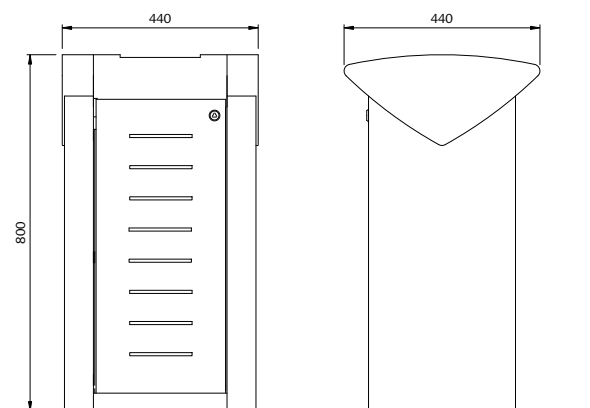
Benches page no. 16 and 17.

Bollards page no. 118.

Cycle parking page no. 168, 176, 177 and 178.

Shelters page no. 222 and 223.

### Triangle





1   MONET	
Part code	Description
33.600.800*	Monet litter bin, cast aluminium and powder coated
33.600.820*	Monet litter bin, cast iron and powder coated
2   CIMA	
Part code	Description
33.634.800*	Cima litter bin with stainless steel ashtray
You can choose from 11 standard colours:	
RAL 1007, daffodil yellow	RAL 3000, fire red
RAL 3005, wine red	RAL 4004, violet bordeaux
RAL 5013, cobalt blue	RAL 6009, pine green
RAL 6005, moss green	RAL 6029, mint green
RAL 7016, anthracite grey	RAL 9005, deep black
RAL 9007, grey aluminium	

### 1 | MONET CO ORDINATED PRODUCTS

Benches page no. 40.

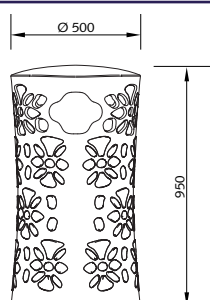
Planters page no. 132. Bollards page no. 116.

### 2 | CIMA CO ORDINATED PRODUCTS

Benches page no. 22.

Planters page no. 132. Bollards page no. 117.

Monet



### 1 | MONET

Part of a coordinated collection the main characteristics of the products are the delicate and essential figures.

The floral relief and perforated texture give the surfaces a vibrant sensation, where the formal and functional aspects fit together.

The Monet collection, with its Impressionist echoes, gives elegance and personality to urban space.

The Monet Litter bin can be cast from aluminium, or iron, and powder coated in range of RAL colours.

Options include the addition of an ashtray in the top.

Capacity is 110 litres.

### 2 | CIMA

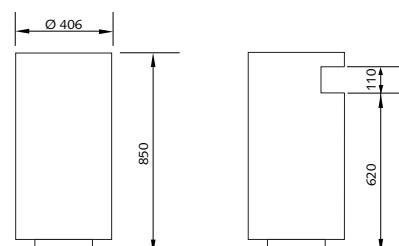
All elements of the Cima range use concave steel profiles. As a result of the clean imagery and form's the 'design line' is neutral enabling the products to blend perfectly in both historical and contemporary contexts.

Cima is manufactured from sheet steel that is galvanised and powder coated, it is opened by use of a triangular key to a side door.

Options include a choice of two types of ashtrays to the top of the bin.

Capacity for the bin is 75 litres.

Cima





## 1 AMBROSIANO

An uncomplicated galvanised steel powder coated open topped litter bin, but with a certain style due to it's Italian design.

A range of RAL colours enhance it's adaptability to be used in varied urban landscapes. Capacity 80 litres.

Minimum quantity per order is 10 items.

## 2 GRANDELISEO

A slender elliptical large capacity litter bin ideal for plaza's or narrow street areas it is constructed form galvanised sheet steel and available in 11 standard RAL colours.

Each foot has a built in base plate for ease of installation onto concrete or similar hard surface. Capacity of 110 litres.

Minimum quantity per order is 10 items.

## 1 AMBROSIANO

Part code	Description
33.615.800*	Ambrosiano litter bin, open topped, capacity 80 litre, in standard RAL

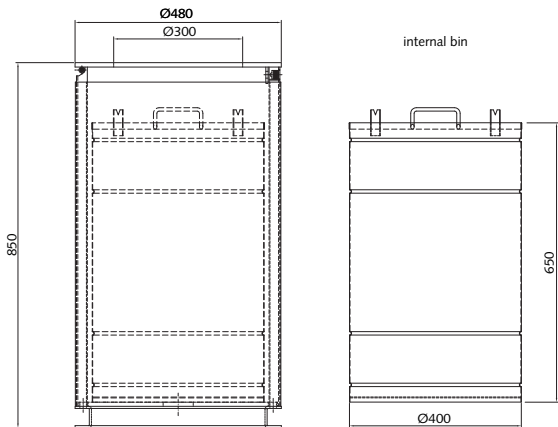
## 2 GRANDELISEO

Part code	Description
33.629.800*	Grandeliseo litter bin, with covered top, capacity 110 litre, in standard RAL

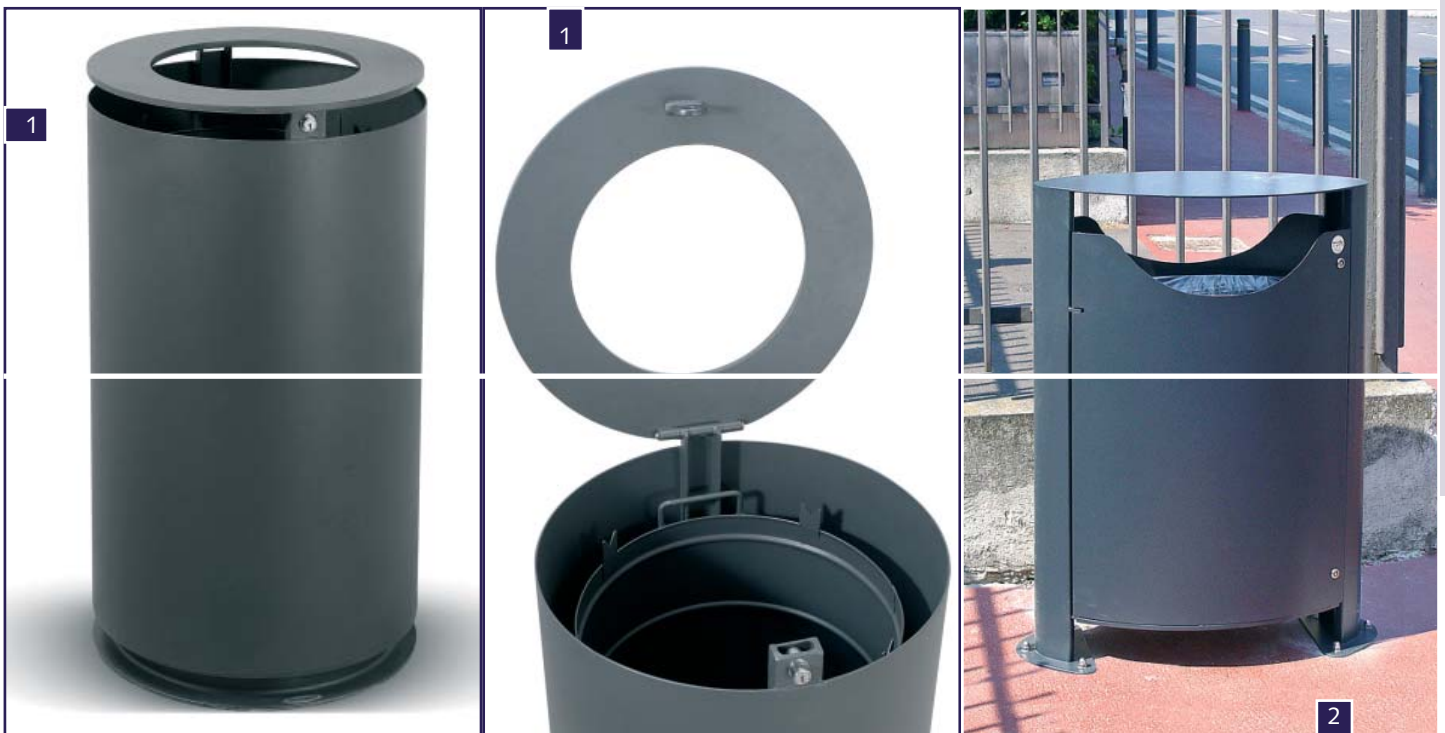
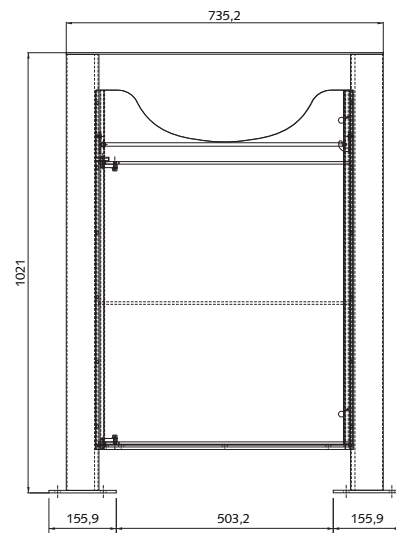
You can choose from 11 standard colours:

RAL 1007, daffodil yellow	RAL 3000, fire red
RAL 3005, wine red	RAL 4004, violet bordeaux
RAL 5013, cobalt blue	RAL 6009, pine green
RAL 6005, moss green	RAL 6029, mint green
RAL 7016, anthracite grey	RAL 9005, deep black
RAL 9007, grey aluminium	

### Ambrosiano



### GrandEliseo





1A



1B



2

1 ELISEO	
Part code	Description
05.342.000	Eliseo litter bin, roof and posts in stainless steel
33.630.800*	Eliseo litter bin in stainless steel, posts powdercoated in RAL
33.631.800*	Eliseo litter bin, completely galvanized and powdercoated in RAL
2 MAJESTIC	
Part code	Description
05.333.000	Majestic litter bin, roof and posts in stainless steel
33.633.800*	Majestic litter bin, completely galvanized and powdercoated in RAL
You can choose from 11 standard colours:	
RAL 1007, daffodil yellow	RAL 3000, fire red
RAL 3005, wine red	RAL 4004, violet bordeaux
RAL 5013, cobalt blue	RAL 6009, pine green
RAL 6005, moss green	RAL 6029, mint green
RAL 7016, anthracite grey	RAL 9005, deep black
RAL 9007, grey aluminium	

**1 ELISEO**

A 45 litre capacity elliptical litter bin, provided with fixed lid. The bottom and lid, appropriately roller levelled, are in sheet steel 30/10 mm thick.

The lid and bottom are held in position by two lateral oval hollow posts in steel 60x30 mm which also act as supports. The bin posts are fastened to the ground by means of a steel terminal flange. The two perforated Sendzimir galvanised sheet steel panels, 10/10 of a mm thick are roller levelled, polished and provided with the stiffening ribs required: one of the two panels opens and is provided with a lock.

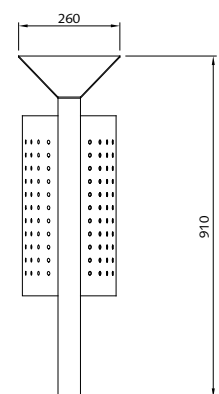
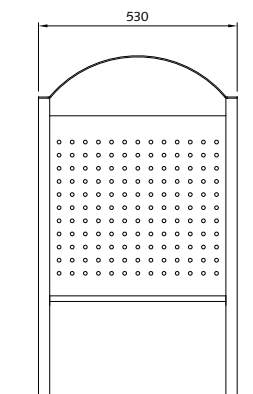
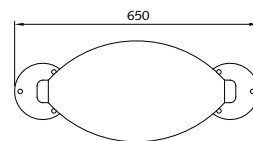
**2 MAJESTIC**

A 45 litre capacity elliptical litter bin. It has a characteristic conical shape, wider at the top and narrower at the bottom, and it is provided with fixed lid; the bottom of the bin is adequately aerated, and the lid is roller levelled to avoid any rubbish being left on the top. Both the bottom and lid are in sheet steel 30/10 mm thick; they are held in position by two lateral oval hollow posts in steel 60x30 mm which also act as support.

The bin posts are fastened to the ground by means of a steel terminal flange. The two perforated Sendzimir galvanised sheet steel panels, 10/10 of a mm thick are roller levelled, polished and provided with the stiffening ribs required; one of the two panels opens and is provided with a lock.

**N.B.** Eliseo (1B) and Majestic are also available in stainless steel.

**Eliseo**





**1 PANDORA**



This strange and unique design for a litter bin has a base made in steel with an aluminium lid with 3 openings.

A triangular key gives access to a ring for attachment of a plastic bag or an option of a steel liner is possible.

All steel parts are galvanised and powder coated in a range of standard RAL colours, also can be powder coated in silver, metallic bronze or anthracite. An ashtray is an option.

Litter bin capacity is 75litres.

**1 PANDORA**

Part code	Description
33.900.800	Pandora litter bin in steel and aluminium, powder coated in standard RAL colour
33.902.800	Pandora litter bin in aluminium, powder coated in standard RAL colour

**2 DARA**

Part code	Description
33.920.800	Dara litter bin with built in ashtray

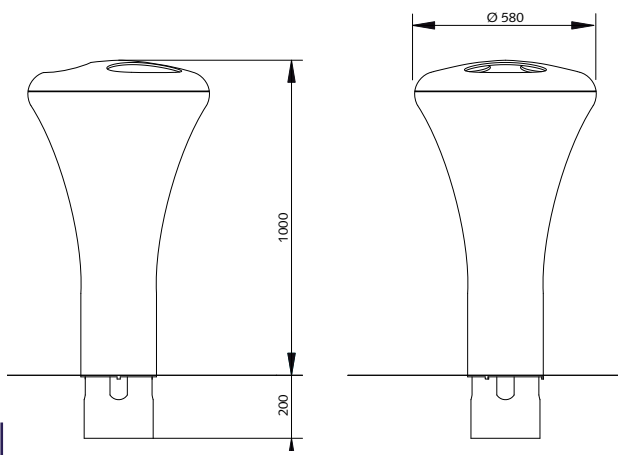
**2 DARA**



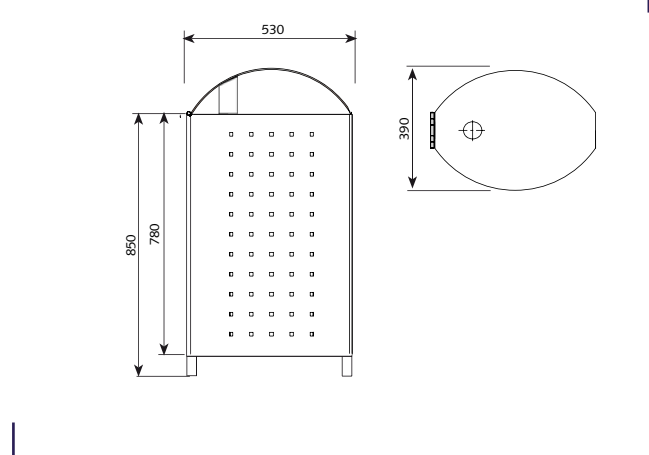
The Dara waste bin is a contemporary product, based on a userfriendly design and modern look. The curved top together with the oval shape of the body provide a unique appearance on the streets. The large door opening makes emptying easy.

An ashtray is built in as standard, the capacity of the litter bin is 100 litres.

**Pandora**



**Dara**





1A



1B



2



## 1 SCARABEO WITH LID

Part code	Description
33.670.800*	Scarabeo litter bin with lid, with concrete sides and steel rod grid 8 mm, contents 70 litres, steel parts hot galvanized and powdercoated in RAL color
33.685.800*	Scarabeo litter bin with lid, with concrete sides and steel rod grid 8 mm, contents 140 litres, steel parts hot galvanized and powdercoated in RAL color

## 2 SCARABEO WITH LID AND ASHTRAY

Part code	Description
33.672.800*	Scarabeo litter bin with lid and ashtray, with concrete sides and steel rod grid 8 mm, contents 70 litres, steel parts hot galvanized and powdercoated in RAL color
33.687.800*	Scarabeo litter bin with lid and ashtray, with concrete sides and steel rod grid 8 mm, contents 140 litres, steel parts hot galvanized and powdercoated in RAL color

### You can choose from 11 standard colours:

RAL 1007, daffodil yellow	RAL 3000, fire red
RAL 3005, wine red	RAL 4004, violet bordeaux
RAL 5013, cobalt blue	RAL 6009, pine green
RAL 6005, moss green	RAL 6029, mint green
RAL 7016, anthracite grey	RAL 9005, deep black
RAL 9007, grey aluminium	

## SCARABEO

The side supports are vibrated concrete and have rounded corners; the containing framework is in steel angular profiles and either steel rods, hardwood, Pine or rectangular staves 55x35 mm with rounded edges.

To change the bag, open either the top or the front of the container. Available in 70 or 140 litre sizes.

Galvanised and powder coated in a standard RAL colour.

### 1 SCARABEO WITH LID

Dimensions 70 litres: 510x500x980 mm (photo 1A).

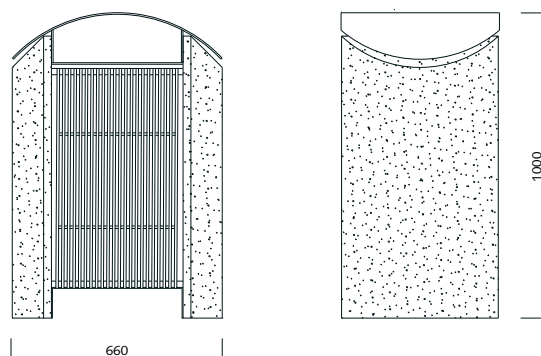
Dimensions 140 litres: 660x500x1,000 mm (photo 1B).

### 2 SCARABEO WITH LID AND ASHTRAY

Dimensions 70 litres: 510x500x980 mm.

Dimensions 140 litres: 660x500x1,000 mm.

### Scarabeo, 140 litres





## 1 MACINA

A 150 litre litter bin with a modern “trunk-conical” line. The Macina model litter bin has been designed to facilitate the easy removal of rubbish by the operators.

The container and lid are in galvanised sheet steel and cut using innovative laser technology (photo 1A). Also available in stainless steel (photo 1B).

The domed lid is round and is provided with a hole measuring approximately Ø 150 mm, created to place the rubbish in the bin without lifting the lid. The key to access the bin will be supplied exclusively to the operators.

It is also available with a bag holder in steel rod and suitable hooks to fasten the bag itself. It is also available in a flanged version or with a semi-spherical concrete base. Additional charge for powder coating steel framework in a standard RAL colour.

## 2 PALL MALL

This steel waste with liner has a capacity of 45 or 90 litres. After the lid is opened the liner can be removed and emptied. The bin has been designed to be wall mounted.

With the lid closed it's in built baffle system ensures that a fire cannot be sustained .

1 MACINA	
Part code	Description
05.336.000	Macina litter bin of stainless steel 304 with holder for refuse bin
05.338.000	Macina litter bin of stainless steel 304 with concrete base of round 540 mm and holder for refuse bin
33.610.800*	Macina litter bin with holder for refuse bag, height 84 cm, powdercoated in RAL colour
33.611.800*	Macina litter bin with holder for refuse bag and ashtray, height 86 cm, powdercoated in RAL colour
33.612.800*	Macina litter bin with concrete base of 540 mm, with holder for refuse bag, height 920 mm, powdercoated in RAL colour
33.613.800*	Macina litter bin with concrete base of 540 mm, with ashtray and holder for refuse bag, height 940 mm, powdercoated in RAL colour

### You can choose from 11 standard colours:

RAL 1007, daffodil yellow	RAL 3000, fire red
RAL 3005, wine red	RAL 4004, violet bordeaux
RAL 5013, cobalt blue	RAL 6009, pine green
RAL 6005, moss green	RAL 6029, mint green
RAL 7016, anthracite grey	RAL 9005, deep black
RAL 9007, grey aluminium	

2 PALL MALL	
Part code	Description
33.445.000	Pall Mall litter bin 45 litre capacity
33.445.700	additional charge for powder coating steel construction in RAL colour
33.446.000	Pall Mall litter bin 90 litre capacity
33.446.700	additional charge for powder coating steel construction in RAL colour

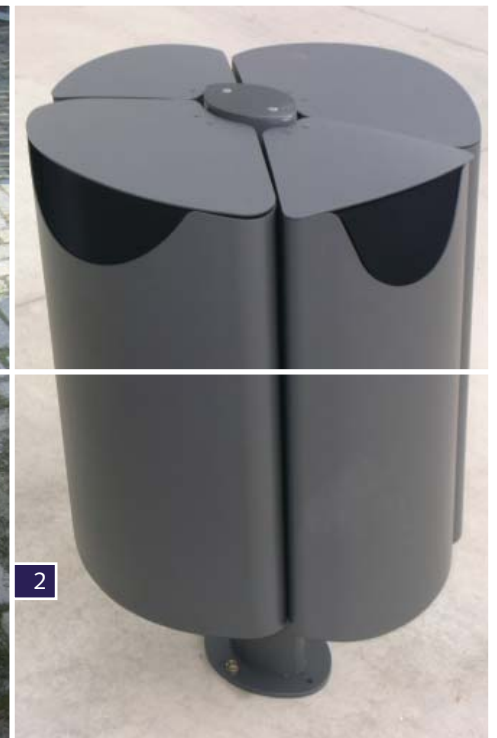




1



2



2

## 1 COROLLA

Part code	Description
33.647.800*	Corolla litter bin with a round lid, diameter 600 mm, height 900 mm, support with flange, steel parts powdercoated in RAL colour
33.648.800*	Corolla litter bin with a round lid and ashtray, diameter 600 mm, height 900 mm, support with flange, steel parts powdercoated in RAL colour
33.649.000	concrete support for round litterbin Corolla, dimensions 510x80 mm

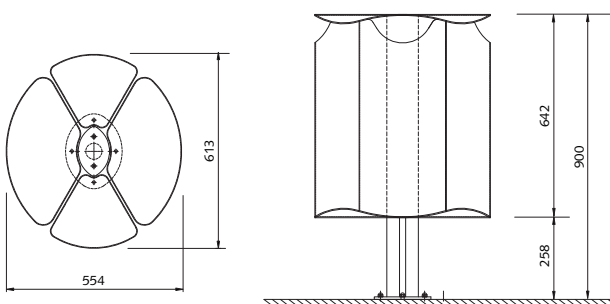
## 2 FIORE

Part code	Description
33.664.800*	Fiore litter bin 25 litres powder coated
33.665.800*	Fiore litter bin 40 litres powder coated
33.666.800*	Fiore upright with anchor piece powder coated
33.667.800*	Fiore upright with base plate powder coated

### You can choose from 11 standard colours:

RAL 1007, daffodil yellow	RAL 3000, fire red
RAL 3005, wine red	RAL 4004, violet bordeaux
RAL 5013, cobalt blue	RAL 6009, pine green
RAL 6005, moss green	RAL 6029, mint green
RAL 7016, anthracite grey	RAL 9005, deep black
RAL 9007, grey aluminium	

### Fiore, 2x Part code 33.664.800, 2x Part code 33.665.800 and 1x Part code 33.667.800



## 1 COROLLA

A 90 litre capacity circular or 45 litre capacity semicircular litter bin constructed with shaped flat steel profiles 20x4 mm, welded at the top to a ring Ø 600 in steel rod diameter 10 mm and strengthened with three intermediate rings Ø 400 in steel rod diameter 10 mm. The internal container, round and extractable, is in galvanised sheet steel 8/10mm thick perforated at the bottom to discharge rain water. It is provided with an anti-theft safety chain.

The bin can be provided with a round lid in galvanised sheet steel, complete with a rotation hinge to facilitate removal of the contents. Furthermore, the lid can include an ashtray made of a round fixed part in sheet iron 10/10 mm. with rimmed border to avoid any sharp edges. A mobile part in perforated steel sheet is placed inside the fixed part to allow the ash to pass down and at the same time separate the cigarette butts that will remain on top. To facilitate its emptying, the ashtray is provided with a handle in the centre.

The ashtray is hot galvanised in accordance with UNI regulations and painted with thermo-hardening polyester powder in RAL 9005 colour.

## 2 FIORE

The Fiore is a modular waste bin designed in the shape of a flower. It is made up of a beautiful elliptical upright of pressed aluminium.

Up to 4 units can be placed on the upright, made up of 2 x 25 litres and 2 x 40 litres bins, giving a total capacity of 130 litres. The Fiore is also available with 1 bin of 40 litres.

You have a choice of 11 standard powder coated RAL colours.



## 1 FALCOPERFO ROUND

The cylindrical outer casing is made of perforated steel plate with slotted holes, welded all round internally onto the base plate for mounting on the post.

Hot-dip galvanised. Internal containers always made of galvanised steel plate.

Internal bin is 355 mm x height 545 mm. You can take the inner bin out or you put a garbage bag in and around the inner bin.

## 2 FALCOPERFO SQUARE

Made of perforated sheet steel. The square post and the perforated sheet are hot-dip galvanised. The post is suitable for a single or double bin and has to be grouted in.

All internal containers are made of galvanised steel plate.

A hinged lid with handles is optional. The inner bin can be taken out or a garbage bag can be put in and around it.

## 1 FALCOPERFO ROUND

Part code	Description
33.870.010	FalcoPerfo Round litter bin on post to grout in
33.870.040	FalcoPerfo Round litter bin on post with welded base plate diam. 200 mm at ground level
33.870.700	additional charge for powdercoating in RAL colour

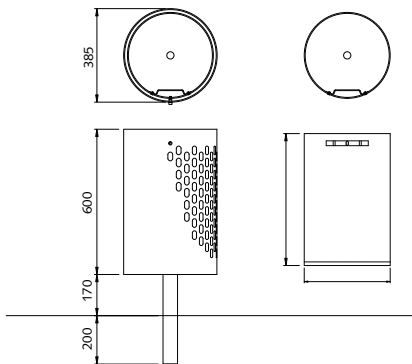
## 2 FALCOPERFO SQUARE

Part code	Description
33.850.010	FalcoPerfo Square litter bin on post to grout in
33.850.700	additional charge for powdercoating in RAL colour
33.851.010	FalcoPerfo Square litter bin with lid, post to grout in
33.851.700	additional charge for powdercoating in RAL colour
33.860.010	FalcoPerfo Square double litter bin with lid, post to grout in
33.860.700	additional charge for powdercoating in RAL colour

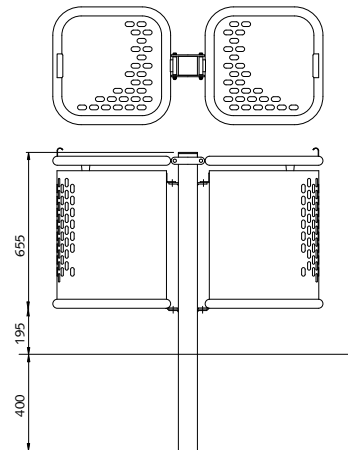
## FALCOPERFO CO ORDINATED PRODUCTS

Benches page no. 65.

Part code 33.870.010 internal bin



Part code 33.860.010





<b>1</b>	<b>FAMILY</b>
<b>Part code</b>	<b>Description</b>
33.609.850	Family litter bin powder coated in 4 colours (Yellow, Red, Blue and Green)
<b>2</b>	<b>QUATTROQUARTI</b>
<b>Part code</b>	<b>Description</b>
05.340.000	Quattroquarti recycling litter bin in stainless steel 304, drip covers powder coated
<b>3</b>	<b>FALCODICE</b>
<b>Part code</b>	<b>Description</b>
33.608.850	FalcoDice recycling bin, four openings, stainless steel

**1 FAMILY**  
 Modular large bin, cylindrical in shape in galvanised sheet 15/10 mm thick.  
 It is provided with a manual system to lift and move the lid, in sheet steel 40/10, to facilitate the emptying of rubbish.  
 Every module has a capacity of 90 litres and it is distinguished by a specific colour for separate collection of rubbish.

**2 QUATTROQUARTI**  
 Cylindrical recycling litter bin divided into 4 parts for different refuse glass, plastic, paper and general rubbish, total capacity is 200 litres. Every sector is distinguished by a different colour, and on the inside individual refuse sack's are attached to ring bag holders.

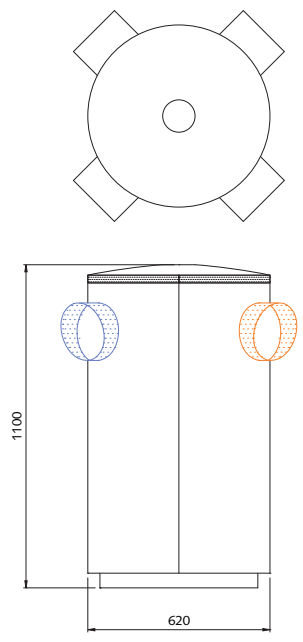
The top part of the bin is closed by a convex lid, with a central extractable ashtray.  
 All metal parts are in stainless steel, except drip covers which are in galvanised and powder coated steel.

**3 FALCODICE**  
 An amusingly designed recycling bin in the shape of a dice, this should encourage young children to get used to using litter bins and make them more aware of recycling.

The 4 holes on the top are coloured to distinguish different rubbish collection. The lid can be opened with a key  
 The structure of the bin is formed In aluminium with the sides in stainless steel.

Minimum quantity per order is 10 pieces.

**QuattroQuarti**



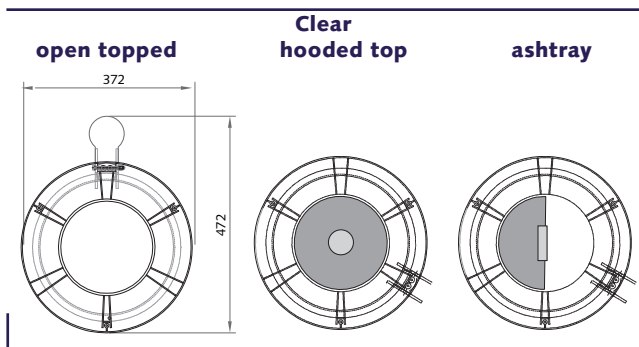


## CLEAR

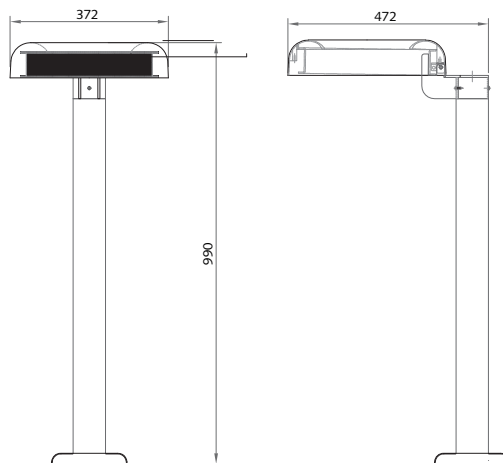
Sometimes the simplest solutions are the most obvious.

Clear is a simple and user friendly refuse collection system available as individual wall mounted or post mounted, open topped or hooded sack holders or even as an ashtray system.

Post mounted versions are available also in double or triple system to promote recycling.



### Clear post mounted



1 CLEAR	
Part code	Description
33.780.800*	Clear litter bin, anti-terrorism, triple for the different collection of rubbish with bag holder in aluminium and post
33.781.800*	Clear litter bin, anti-terrorism, triple for the different collection of rubbish with bag holder in aluminium for wall mounting
33.782.800*	Clear litter bin, anti-terrorism, single RAL 6018, with bag holder in aluminium for wall mounting
33.783.800*	Clear litter bin, anti-terrorism, single, with bag holder in aluminium for wall mounting
33.784.800*	Clear litter bin, anti-terrorism, single RAL 6018, with bag holder in aluminium and post
33.785.800*	Clear litter bin, anti-terrorism, single, with bag holder in aluminium, lid and post
33.786.800*	Clear litter bin, double with post, construction galvanised and powder coated
33.788.800*	ashtray, semicircular for Clear litter bin
33.789.800*	ashtray, round for Clear litter bin
33.790.800*	lid in die casting
2 CLEAR UP	
Part code	Description
33.791.800*	Clear Up closed litter bin in steel, with bag holder in aluminium and post, capacity 50 litres
<b>You can choose from 11 standard colours:</b>	
RAL 1007, daffodil yellow	RAL 3000, fire red
RAL 3005, wine red	RAL 4004, violet bordeaux
RAL 5013, cobalt blue	RAL 6009, pine green
RAL 6005, moss green	RAL 6029, mint green
RAL 7016, anthracite grey	RAL 9005, deep black
RAL 9007, grey aluminium	





1A



1C



2



1B

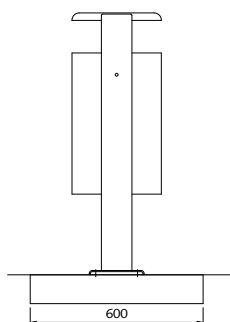
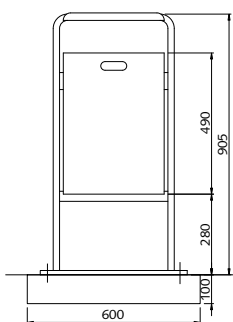
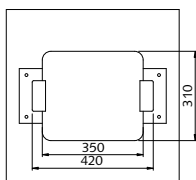


1D

Photo 1A=Part code 33.105.050    Photo 1B=Part code 33.105.060  
 Photo 1C=Part code 33.107.010    Photo 1D=Part code 33.106.030

LITTER BIN, RECTANGULAR	
Part code	Description
33.105.0xx	Rectangular litter bin, 40 litres, open model, with supports and steel bin
33.106.0xx	Rectangular litter bin, 40 litres, with ongoing supports and steel bin
33.101.1xx	Rectangular litter bin, 40 litres, with ongoing supports and aluminium bin
33.161.1xx	Rectangular litter bin, 60 litres, with ongoing supports and aluminium bin
33.107.0xx	Rectangular litter bin, 40 litres, with square roof, supports and steel bin
33.102.1xx	Rectangular litter bin, 40 litres, with square roof, supports and aluminium bin
33.162.1xx	Rectangular litter bin, 60 litres, with square roof, supports and aluminium bin
33.391.000	special triangular key

**Part code 33.162.130**



**1 RECTANGULAR LITTER BIN**

Our bins distinguish themselves through:

- \* easy function recognition
- \* simplicity of use
- \* shape
- \* stable construction
- \* neat finish without sharp edges
- \* long term protection against corrosion due to hot-dip galvanisation according to BS EN-ISO 1461

Versions according to last three figures of the art.no.:

- .x10 = to grout in
- .x30 = on base plate with concrete plate 600x600x100 mm
- .x40 = on base plate
- .x50 = for post installation
- .x60 = for wall installation
- .x70 = for post installation with clamp for round  $\varnothing$  60 mm
- .x80 = for post installation with steel band for round  $\varnothing$  60 mm

The litter bins are available in steel or aluminium. The aluminium bins consist of 2 mm aluminium sheets. The steel bins have 1.75 mm thick sheets.

The pin can be removed from its holder through unlocking it with a special triangular key.

The hot-dip galvanised steel supports, steel bins and aluminium bins can be powdercoated in a RAL colour for an additional charge. As well as the superior appearance, the powdercoating also gives extra protection against corrosion.

It is also possible to give the support one colour and the bin in another colour!

**2 RECTANGULAR LITTER BIN WITH ASHTRAY**

The ashtray's shown on photo 2 can be seen on page 82.



## 1 PEGASO



Modern rounded triangular shaped Litter Bin constructed from stainless steel for that contemporary feel and ease of maintenance. The large side door is open by use of a triangular key.

Inside a steel ring is attached to fit refuse sacks too.

An ashtray is fitted to the top of the litter bin.

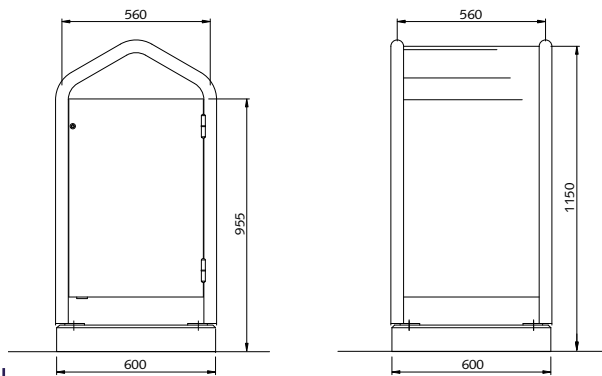
## 2 GARBAGEBOX

A bigger litter bin with gable roof for a content of 120 litres. Utilitarian and robust. Dimension 565x565x1100 mm.

The box consists of a hot dip galvanized steel robust welded construction. The front can be opened with a triangular key.

**N.B.** This box goes well with our benches series 38.0, described on pages 60, 61 and 62.

### Garbagebox



## 1 PEGASO

Part code	Description
33.905.800	Pegaso litter bin, 120 litres

## 2 GARBAGEBOX

Part code	Description
33.441.040	Garbagebox litter bin on base plates
33.445.030	Garbagebox litter bin on base plates mounted on slab 600x600x100 mm
33.445.700	additional charge for powdercoating litter bin in RAL colour
33.445.710	additional charge for powdercoating in two colours; steel structure in RAL colour, cladding in RAL colour
33.391.000	triangular key

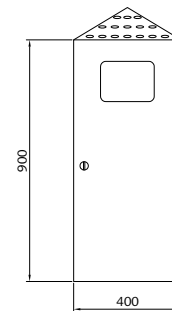
## 3 PRECINCT BIN

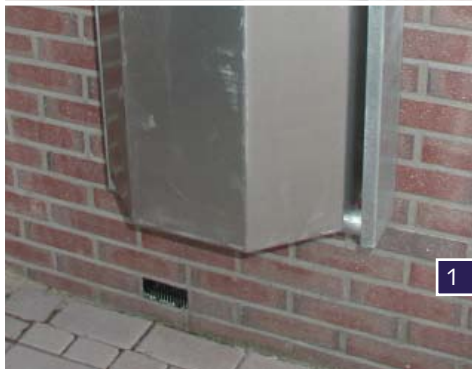
Part code	Description
33.002.564	Precinct litter bin with ashtray and liner
33.002.564A	Precinct litter bin, spare liner

## 3 PRECINCT BIN

Combination litter and ash bin is available with galvanised liner or sack ring all steel parts are galvanised and powder coated, the ashtray top is covered by a stainless steel triangulated top. Liner is removed for easy emptying by use of a triangular key.

### Precinct bin





**1 ALUMINIUM LITTER BIN**

Part code	Description
33.262.110	Hexagonal aluminium litter bin, contents 65 litres, with ongoing steel supports and hexagonal roof and ashtray to grout in
33.262.130	Hexagonal aluminium litter bin, contents 65 litres, with ongoing steel supports and hexagonal roof and ashtray, on base plate with concrete slab 60x60x10 cm
33.262.160	Hexagonal aluminium litter bin, contents 65 litres, with ongoing steel supports and hexagonal roof and ashtray, for wall mounting
33.262.702	additional charge for powdercoating litter bin and post / holder in RAL colour

**2 ALUMINIUM LITTER BIN, 110 LITRE**

Part code	Description
33.240.130	Hexagonal aluminium litter bin with hinged bin with restriction, contents 110 litres, with steel posts and roof and base plate on concrete slab 60x60x10 cm
33.240.700	additional charge powdercoating litter bin in RAL colour
33.240.701	additional charge powdercoating post / holder in RAL colour
33.241.130	Hexagonal aluminium litter bin with clamping for refuse bag and hinged bin with restriction, contents 110 litres, with steel posts and roof and base plate on concrete slab 60x60x10 cm
33.241.700	additional charge powdercoating litter bin in RAL colour
33.241.701	additional charge powdercoating post / holder in RAL colour

**1 HEXAGONAL ALUMINIUM 65 LITRES LITTER BIN**

A very robust and durable litter bin brought about by its engineered and thoughtful construction. The sleek design ensures that rubbish can be dropped from almost any angle.

The aluminum containers are produced from 2 mm aluminum plate, and for ease of emptying the container can be removed in it's entirety from the support cradle all of which is operated with the use of a triangular key. Capacity 65 litres.

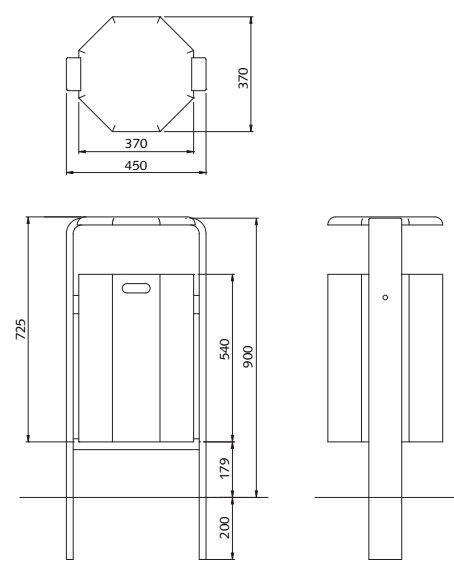
A wall mounted unit is also available.

Optional ashtray unit is available to be fitted to the top of the bin.

**2 HEXAGONAL ALUMINIUM 110 LITRES LITTER BIN**

All the features of the Hexagonal 65 litres litter bin but with the added advantage of a larger capacity of 110 litres, because of the capacity the bin is ideal for locations where more waste is left or where it is not possible to empty the bins so readily/often.

**Part code 33.262.110**





## 1 LITTER BIN, HEXAGONAL

Our bins distinguish themselves through:

- \* easy function recognition
- \* simplicity of use
- \* shape
- \* stable construction
- \* neat finish without sharp edges
- \* long term protection against corrosion due to hot-dip galvanisation according to BS EN-ISO 1461

Versions according to last three figures of the art.no.:

- .x10 = to grout in
- .x30 = on base plate with concrete plate 600x600x100 mm
- .x40 = on base plate
- .x50 = for post installation
- .x60 = for wall installation (photo 1D)
- .x70 = for post installation with clamp for round  $\varnothing$  60 mm
- .x80 = for post installation with steel band for round  $\varnothing$  60 mm

The litter bins are available in steel or aluminium. The aluminium bins consist of 2 mm aluminium sheets. The steel bins have 1.75 mm thick sheets.

The pin can be removed from its holder through unlocking it with a special triangular key.

The hot-dip galvanised steel supports, steel bins and aluminium bins can be powdercoated in a RAL colour for an additional charge. As well as a superior appearance the powdercoating also gives extra protection against corrosion.

It is also possible to give the support one colour and the bin in another colour!

## 2 LITTER BIN - SINGLE POST

It is also possible to have four bins on one post. For example if you want to separate garbage.

### STEEL LITTER BIN, HEXAGONAL

Part code	Description
33.207.020	Hexagonal steel litter bin, with ongoing steel supports and hexagonal roof, on base plate with concrete slab 60x60x10 cm (photo 1A)
33.207.040	Hexagonal steel litter bin, with ongoing steel supports and hexagonal roof, on base plate
33.207.060	Hexagonal steel litter bin, with ongoing steel supports and hexagonal roof, for wall mounting
33.207.080	Hexagonal steel litter bin, with ongoing steel supports and hexagonal roof, for post installation with steel band (photo 1B)
33.207.700	additional charge for powder-coating litter bin in RAL colour
33.207.702	additional charge for litter bin and post / holder in RAL colour

### STEEL LITTER BIN WITH ASHTRAY, HEXAGONAL

Part code	Description
33.217.020	Hexagonal steel litter bin with ashtray, with ongoing steel supports and hexagonal roof, on base plate with concrete slab 60x60x10 cm (photo 1C)
33.217.040	Hexagonal steel litter bin with ashtray, with ongoing steel supports and hexagonal roof, on base plate
33.217.060	Hexagonal steel litter bin with ashtray, with ongoing steel supports and hexagonal roof, for wall mounting
33.207.700	additional charge for powder-coating litter bin in RAL colour
33.207.702	additional charge for litter bin and post / holder in RAL colour
33.391.000	triangular key





1 KOPENHAGEN	
Part code	Description
33.010.000	Kopenhagen litter bin for wall or post fixation
33.010.700	additional charge for powdercoating of itter bin in RAL colour
33.055.340	post ø 60 mm, length 1500 mm
33.055.341	set of clamping strips to go with post
33.055.700	additional charge for powdercoating of post in RAL colour
2 EUROLINE	
Part code	Description
33.015.000	Euroline litter bin with tube frame
33.015.700	additional charge for powdercoating of litter bin in RAL colour
33.015.710	additional charge for powdercoating of tube frame in RAL colour
3 BOWLER	
Part code	Description
33.012.000	Bowler litter bin to go between posts
02.974.000	set of Bowler posts to mount litter bin, round 90 mm, total height 1,500 mm
33.012.700	additional charge for powdercoating of litter bin in RAL colour
02.974.700	additional charge for powdercoating set of posts in RAL colour
33.391.000	special triangular key

**1 KOPENHAGEN**

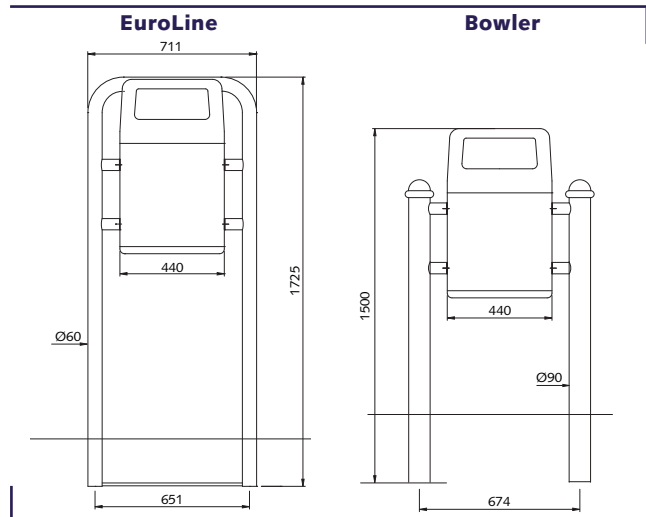
Our Kopenhagen litter bin is a timeless bin that fits any environment. Especially with a colour in RAL to your liking or that is one with the back ground. A special triangular key opens the bottom to easily empty the bin and your hands do not get dirty! The bin has a width of 430 mm, a depth of 310 mm and a height of 685 mm. The wall has a thickness of 1.5 mm. You can fix the Kopenhagen to the wall or to an optional post of Ø 60 mm and a length of 150 mm. To fix the bin on the post you need clamping strips.

**2 EUROLINE**

The same litter bin as above but then between two posts that also go over the top. Through four side tubes of Ø 47.5 mm the bin is clamped with help of bolts.

**3 BOWLER**

Again the Kopenhagen bin but then between two Bowler posts. The bin is clamped in the same way as the EuroLine. The posts have a total length of 1500 mm and a diameter of 90 mm. This bin goes well with the Bowler posts, barriers, guide rails, benches and bicycle parking system.





## ROUND LITTER BIN

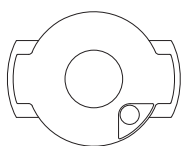
A new litter bin to add to the series of bins utilizing basic shapes, rectangle and hexagonal the new variant Round. It is a round bin which is available either with or without a hood to protect against rain and birds.

The ergonomic design of the round litter bin also gives it a great modern feel, with the top cover blending into the upright supports.

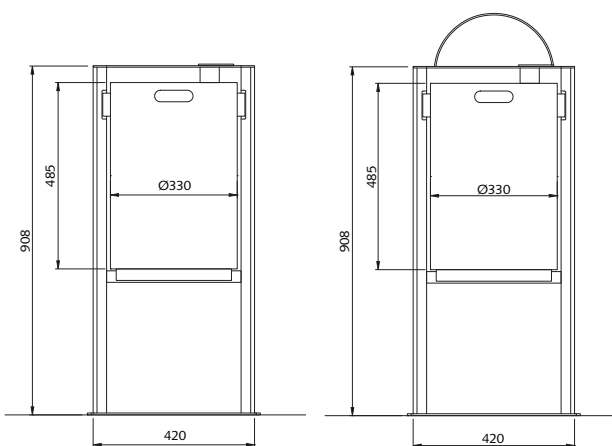
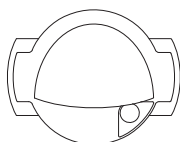
The bin and steel supports can be powder coated separately to give a contrasting feel to the design.

As standard an ashtray is fitted. A triangular key is used to aid removal of the liner for emptying.

**Part code**  
**33.220.040**



**Part code**  
**33.230.040**



## ROUND LITTER BIN

Part code	Description
33.220.010	litter bin without hood, to grout in
33.220.030	litter bin without hood, on base plate with concrete plate 600x600x100 mm
33.220.040	litter bin without hood, on base plate
33.220.060	litter bin without hood, for wall installation
33.230.010	litter bin with hood, to grout in
33.230.030	litter bin with hood, on base plate with concrete plate 600x600x100 mm
33.230.040	litter bin with hood, on base plate
33.230.060	litter bin with hood, for wall installation
33.220.700	additional charge for powdercoating litter bin 33.220.0x0 and 33.230.0x0 in RAL colour
33.220.702	additional charge for powdercoating litter bin and steel support 33.220.0x0 and 33.230.0x0 in RAL colour
33.220.703	additional charge for powdercoating litter bin 33.220.0x0 and 33.230.0x0 in RAL colour and steel support in RAL colour
33.391.000	triangular key





**1 PACMAN**

Part code	Description
33.650.000	PacMan litter binn for mounting on post, colour green
33.651.000	PacMan litter bin for mounting on post, colour orange
33.652.000	PacMan litter bin with galvanised supporting post, colour green
33.653.000	PacMan litter bin with galvanised wall bracket, colour orange
33.660.000	post for PacMan litter bin, with 15 cm anchorparts, height above ground with litter bin 1090mm
33.662.000	post for PacMan litter bin, with concrete platebase, height with litter bin 1090mm

**2 DINOVA**

Part code	Description
33.068.000	Dinova litter bin in Dark Green
33.068.220	Dinova litter bin by means of click system also later ashtray to build in
33.068.030	Dinova sack holder
33.055.340	Dinova tube post round 60mm, total length 1500mm for litter bin
33.055.341	loose set of clamping strips for mounting of litter bin to post

**3 DEXTER**

Part code	Description
33.050.000	Dexter plastic litter bin, colour bin resembling RAL 2002, orange
33.051.000	Dexter plastic litter bin, colour bin resembling RAL 6029, green
33.055.341	Dexter loose set of clamping strips for mounting of litter bin to post
33.055.343	Dexter loose steel wall support for litter bin

**1 PACMAN**

A 32 litre capacity litter bin with lid made of recyclable high density polyethylene in green or orange. Its particular shape provides for the lid to fit into the lower part, thus concealing the rubbish bag. Furthermore, the supporting post perfectly fits in with the profile of the bin.

It is provided with a safety lock to secure the upper section. It can be fastened to any support, post or wall. The support pole is squared and in steel 50x50 mm section and 1.5 mm in thickness. It is available in the flanged or embedded version or even with a concrete base element.

Indicative weight: 4 kg. Overall dimensions: 377x326x635mm.

**2 DINOVA**

The Dinova has a modern and contemporary design which is low maintenance and pleasant to the eye. It is made in HDDE plastic and has a hood to protect from wind, birds and rodents.

Can be wall or post mounted and has a capacity of 50 litres. Available in green, orange, blue and grey.

**3 DEXTER**

Capacity approximately 50 litres. Made from polyethylene or steel (see page 103) and available in green or orange.

The litter bin has a floor flap at the bottom of the bin for easy, rapid and hygienic emptying (key is provided).

Can be wall or post mounted.



## 1 LISTER

A simple solid post mounted litter bin with a capacity of 50 litres. The Lister has an integrated ashtray at the edge of the rim, there is minimal fire hazard because the internal pipe runs independently to the bottom of the bin.

Can be powder coated on request and also can be produced without the ashtray.

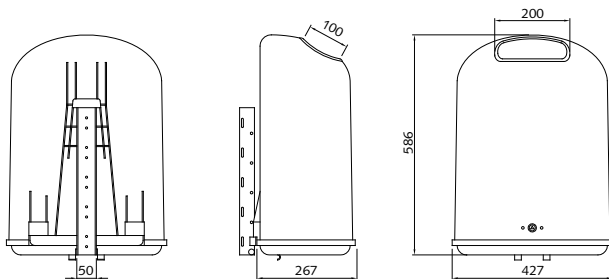
## 2 MIDAS

Steel waste with a capacity of 50 litres. Equipped with a lockable flap at base of bin for easy, quick and hygienic emptying (key is supplied).

Dimensions: height 580mm above 390x230mm, 430x275mm. Weight around 5.7 kg.

Also possible in polyethylene (see page 102).

### Midas, Part code 33.055.000



## 3 TULIPANO

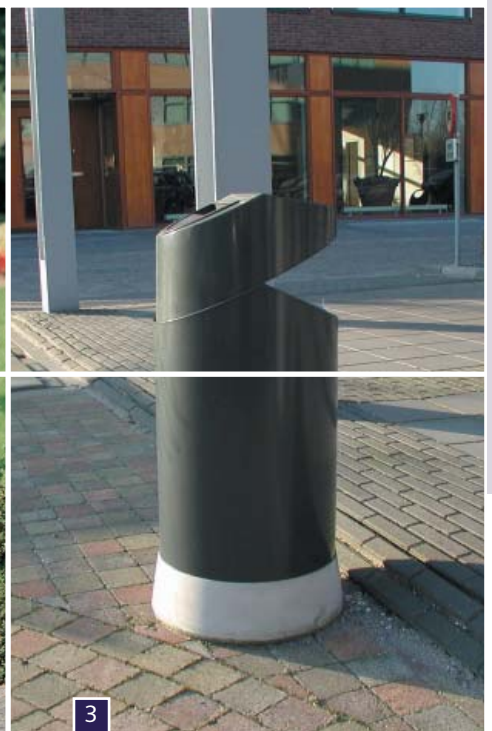
Elegant and cylindrical litter bin, with conical base and a faceted capping and interior bag holder.

Tulipano is made of three parts: pedestal, storage and closure cap. The pedestal consists of a formed concrete as previously described. The storage unit is made of a cylinder (Ø 285 mm) and outside

there is a second cylinder which forms a hollow space. This solution excludes any view of the sack inside.

The closure cap is inserted in the storage unit. The cap can be supplied with an ashtray. Central body and cap are from cold rolled steel band, thickness 15/10, painted with epoxy paint.

1 LISTER	
Part code	Description
33.890.010	Lister litter bin, to grout in
33.890.700	additional charge for powdercoating in RAL colour
33.391.000	triangular key
2 MIDAS	
Part code	Description
33.055.000	Midas litter bin, emptying through ground lid, with key
33.055.700	additional charge for powdercoating litter bin in RAL colour
33.055.340	tube post round 60mm, total length 150cm for litter bin
33.055.710	additional charge for powdercoating tube post in RAL colour
33.055.341	loose set of clamping strips for mounting of litter bin to post
33.055.343	loose steel wall support for litter bin
3 TULIPANO	
Part code	Description
39.881.109	Tulipano litter bin without ashtray
39.882.109	Tulipano litter bin with ashtray





1 FALCOCUBE	
Part code	Description
33.450.008	FalcoCube litter bin, free standing
2 PARK	
Part code	Description
33.400.301	Park litter bin in conical shape with slats of Kambala 25x45mm, concrete socle and inner bin galvanised
33.400.601	additional charge wooden slats varnished in white
33.402.000	additional charge conical litter bin with lid
33.405.301	Park litter bin in straight shape with slats of Kambala 30x50mm, concrete socle and inner bin galvanised
33.405.601	additional charge wooden slats varnished in white

**1 FALCOCUBE**

The FalcoCube is distinguished by its blend of traditional timber and steel, this sleek design is complemented with a range of planters and seating the Falco range of wood based products gives designers a real choice when wishing to use natural materials.

The framework is all hot dip galvanised steel and can be polyester powder coated in any of the 192 RAL colours.

**2 PARK**

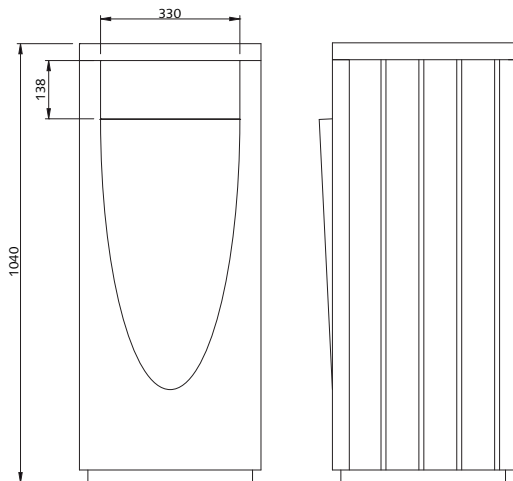
A traditional wooden bin ideal for park or leisure areas, the wooden Kambala slats are fixed to galvanized steel rings for robustness. The base is a substantial concrete pedestal.

The inner liner is also galvanised.

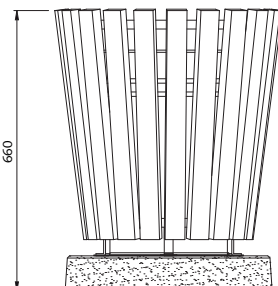
Capacity 54 litres. Height: 660mm.



FalcoCube



Park, Part code 33.400.301





## 1 TRIBUNE

The litter bin comprises of two lateral supports of steel reinforcement in a cylindrical shape (radius 200 mm), with the upper part rounded with a central container in inox brushed stainless steel 316 aisi, covered with a dome (radius 200 mm) of the same material.

The container is provided with a lock. Finishing: supports are bush-hammered on the outside and smooth inside.

**N.B.** The bin goes well with Tribune seat on page 74.

## 2 CESTONE

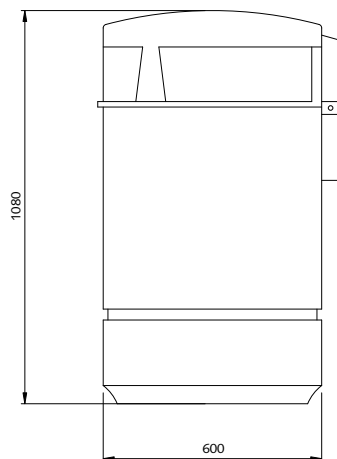
A practical design with a large capacity. This cylindrical bin has a reinforced cover. A key lock is available on request.

A pull-out container in galvanised steel is optional. Weight 215 kg. Capacity is 136 litres.

Possible cover colours: green, RAL 6005 or grey, RAL 7016.

A stainless steel ashtray in the cover can be supplied on request.

### Cestone, Part code 39.865.x00



## 1 TRIBUNE

Part code	Description
39.525.x00*	Tribune litter bin with container and dome of brushed stainless steel, capacity 68 litre

## 2 CESTONE

Part code	Description
39.865.x00*	Cestone litter bin, capacity 136 litre
39.867.000	incorporated stainless steel ashtray
39.868.000	sheet-zinc basket (it can be extracted)

## 3 CESTONE QUADRATO

Part code	Description
39.862.x00*	Cestone Quadrato litter bin, capacity 150 litre

There is a choice of 5 colours which are recognized by the 6th. figure of the Part code:

xx.xxx.0xx = pink	xx.xxx.1xx = grey
xx.xxx.2xx = green	xx.xxx.3xx = salt and pepper
xx.xxx.5xx = yellow	

## 3 CESTONE QUADRATO

Similar in design to the Cestone (described above) but in a square shape. Available with pull-out container in galvanised steel or with bag ring. Weight 310 kg, capacity 150 litres.

Possible cover colours: RAL 6005 moss green or RAL 7016 anthracite grey.

### CO-ORDINATED PRODUCTS

Benches page no. 75 and 77.

Planters page no. 137.





FROG	
Part code	Description
33.636.800*	Frog with integrated roof, basket of steel plate, powdercoated in standard RAL colour
33.637.800*	Frog with steel basket holder with integrated roof, ashtray, powdercoated in standard RAL colour
33.639.000	support round 60 mm for mounting of litter bin Frog, total height 1200mm to grout in
33.641.000	supports round 60 mm with concrete platebase for mounting of litter bin Frog, total height 1000mm

**You can choose from 11 standard colours:**

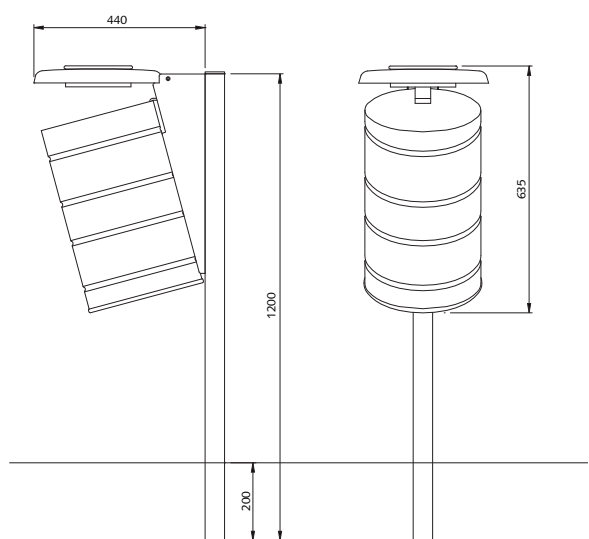
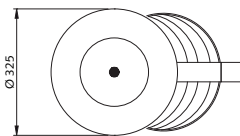
RAL 1007, daffodil yellow	RAL 3000, fire red
RAL 3005, wine red	RAL 4004, violet bordeaux
RAL 5013, cobalt blue	RAL 6009, pine green
RAL 6005, moss green	RAL 6029, mint green
RAL 7016, anthracite grey	RAL 9005, deep black
RAL 9007, grey aluminium	

**FROG**

The uncomplicated design of the Frog makes it a use anywhere bin and is available either wall or post mounted and comes as standard with a hood to protect against wind, birds and rodents. Refuse sacks can be held in place by the optional thermo plastic sack holder.

It is a great utilitarian product and very flexible in where it can be used.

**Frog, Part code 33.637.800 + 33.639.000**





## 1 DOG STATION

The Dog Station is a combined unit for the dispensing of bags and for the disposal dog of dog waste, it is practical, clean and hygienic and the lockable dispenser has space for as many 800-1000 waste bags.

The waste receptacle has a capacity of 35 litres and can be offered as a stand alone unit.

The dispenser is also available for installation on the wall or on a pole.

The Dog Station is available in 304 stainless steel quality, or galvanized and powder coated in a standard RAL colour.

## 2 CLEAN DOG

The Clean Dog is a cylindrical open topped bin that is set at an angle to make the depositing of dog waste easier it is galvanized and can be powder coated.

The bin comes with the logo's as shown on the pictures.

## 1 DOG STATION

Part code	Description
33.310.800*	Dog Station Bag Dispenser and waste bin between uprights
33.312.800*	Dog Station Separate Dispenser and waste bin between uprights

### You can choose from 6 standard colours:

RAL 1018, zinc yellow	RAL 7016, anthracite grey
RAL 5015, sky blue	RAL 9007, grey aluminium
RAL 6005, moss green	RAL 9016, traffic white

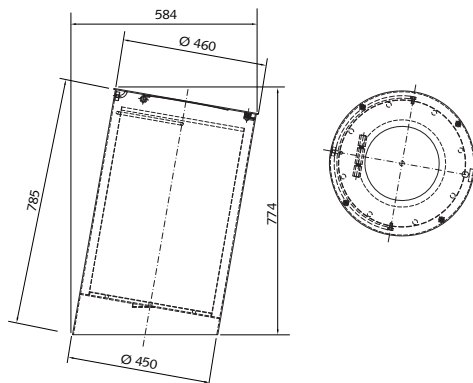
## 2 CLEAN DOG

Part code	Description
33.320.800*	Clean Dog waste bin

### You can choose from 11 standard colours:

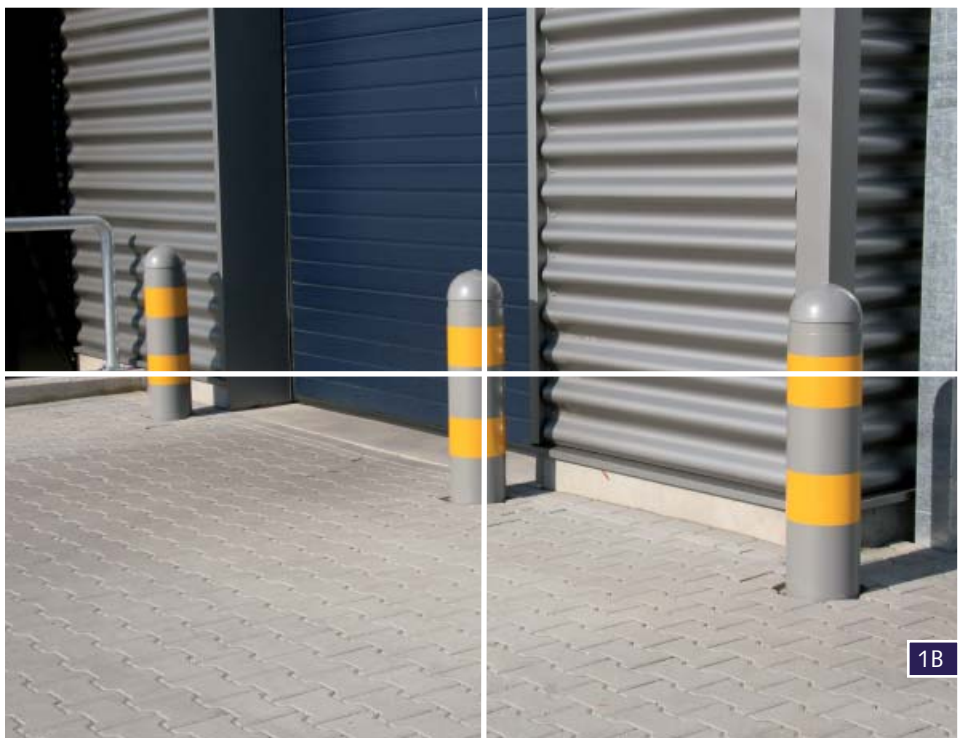
RAL 1007, daffodil yellow	RAL 3000, fire red
RAL 3005, wine red	RAL 4004, violet bordeaux
RAL 5013, cobalt blue	RAL 6009, pine green
RAL 6005, moss green	RAL 6029, mint green
RAL 7016, anthracite grey	RAL 9005, deep black
RAL 9007, grey aluminium	

### Clean Dog





1A



1B

### ROUND STEEL BOLLARD

Part code	With welded flat top, Ø 108 mm
02.800.160	Round steel bollard, height 1007mm from base plate 180x180mm
02.800.170	Round steel bollard, height 1007mm from base plate 300x300mm
02.801.000	Round steel bollard, height 1207mm
02.802.000	Round steel bollard, height 1507mm
With welded flat top and embedded ring, Ø 108 mm	
02.800.161	Round steel bollard, height 1076mm from base plate 180x180mm
02.800.171	Round steel bollard, height 1076mm from base plate 300x300mm
02.801.151	Round steel bollard, height 1276mm
02.802.151	Round steel bollard, height 1576mm
With welded flat top, Ø 219 mm	
02.820.170	Round steel bollard, height 1014mm from base plate 180x180mm
02.821.000	Round steel bollard, height 1214mm
02.822.000	Round steel bollard, height 1514mm
With welded flat top and embedded ring, Ø 219 mm	
02.820.171	Round steel bollard, height 1141mm from base plate 300x300mm
02.821.151	Round steel bollard, height 1341mm
02.822.151	Round steel bollard, height 1641mm

### ROUND STEEL BOLLARD

The Falco Round steel bollards are increasingly being used as a sturdy and also attractive barrier.

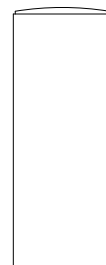
They can be used to protect facades and business entrances, pavements, pedestrian areas, along verges etc.

Available in diameters of 108x3.6 mm and 219x4 mm, and in different lengths and with a welded flat top (Photo 1A) or welded round top with embedded ring (Photo 1B).

The various ranges can be supplied with an extended tube for below ground installations or with a 180 x 180mm welded base plate on the 108 mm diameter and 300x300 mm on the 219 mm diameter for an additional charge.

The bollards are made of top grade tubing, and are hot-dip galvanised in accordance with EN-ISO 1461 when they have been processed.

welded flat top

welded round top  
with embedded ring

**N.B.** All bollards can be powder-coated in a standard RAL colour for additional charge.

Bollard with welded flat top with base plate or to grout in, is now also available in stainless steel. See page 110.



## SQUARE STEEL BOLLARD

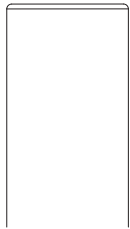
The Falco Square steel bollards are primarily used to protect shop windows and facades and pavements, pedestrian areas, along verges and at business entrances.

The square bollards provide an attractive and, above all, sturdy barrier.

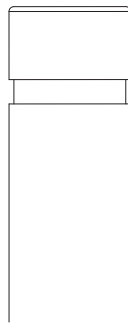
Available in the cross-section dimensions 100 mm, 120 mm and 140 mm, and in different lengths with 2 kinds of flat tops (see below).

The bollard can, of course, be equipped with a welded base plate for an additional charge. On the bollard with 100 mm profile this is 180x180 mm or 300x300 mm, whilst from 120mm it is 300x300mm.

welded flat top



welded flat top and embedded ring



## SQUARE STEEL BOLLARD

With welded flat top and embedded ring,  
140x140x5 mm

02.840.172	Square steel bollard, height 1080mm from base plate 300x300mm
02.841.152	Square steel bollard, height 1280mm
02.842.152	Square steel bollard, height 1580mm

## SQUARE STEEL BOLLARD

Part code With welded flat top, 100x100x4 mm

02.830.160	Square steel bollard, height 1004mm from base plate 180x180mm
02.830.170	Square steel bollard, height 1004mm from base plate 300x300mm
02.831.000	Square steel bollard, height 1204mm
02.832.000	Square steel bollard, height 1504mm

With welded flat top and embedded ring,  
100x100x4 mm

02.830.162	Square steel bollard, height 1080mm from base plate 180x180mm
02.830.172	Square steel bollard, height 1080mm from base plate 300x300mm
02.831.152	Square steel bollard, height 1280mm
02.832.152	Square steel bollard, height 1580mm

With welded flat top, 120x120x4 mm

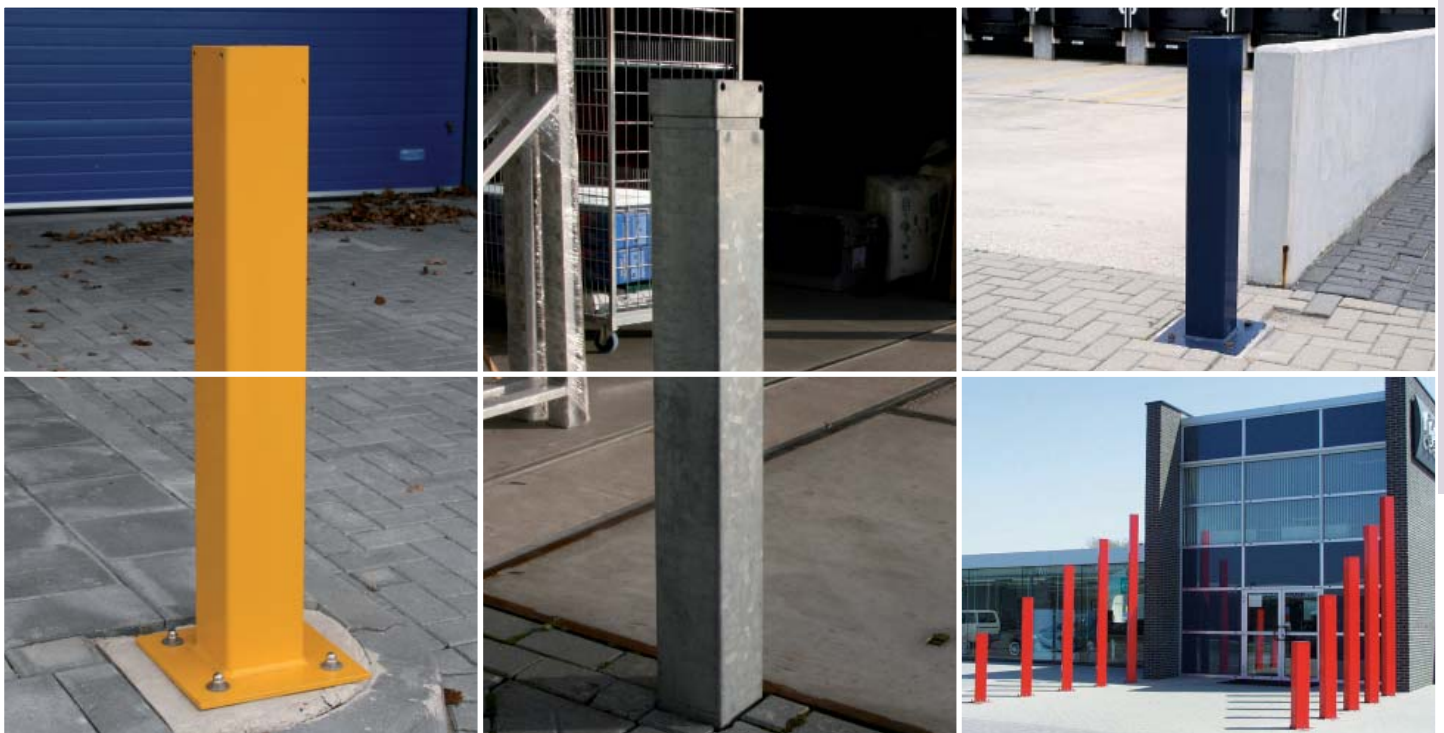
02.860.170	Square steel bollard, height 1004mm from base plate 180x180mm
02.861.000	Square steel bollard, height 1204mm
02.862.000	Square steel bollard, height 1504mm

With welded flat top and embedded ring,  
120x120x4 mm

02.860.172	Square steel bollard, height 1080mm from base plate 300x300mm
02.861.152	Square steel bollard, height 1280mm
02.862.152	Square steel bollard, height 1580mm

With welded flat top, 140x140x5 mm

02.840.170	Square steel bollard, height 1004mm from base plate 180x180mm
02.841.000	Square steel bollard, height 1204mm
02.842.000	Square steel bollard, height 1504mm





**1 | STAINLESS STEEL BOLLARD**

Part code	Description
05.420.010	Stainless steel bollard extended for below ground installation, Ø 89mm
05.420.060	Stainless steel bollard with base plate, Ø 89mm
05.422.081	Stainless steel bollard, removable, length 820mm, with quick fastening system and base sleeve, Ø 89mm
05.423.081	Stainless steel removable bollard, cylinder lock, including base sleeve, Ø 89mm

**2 | STAINLESS STEEL BOLLARD**

Part code	Description
05.400.600	Stainless steel bollard, fixed, total length 750mm, Ø 205mm
05.490.000	additional price for a 150mm wide red reflective red tape
05.491.000	additional price for a 150mm wide red reflective white tape

**3 | TAZIO**

Part code	Description
05.750.000	Tazio bollard, extended for below ground installation, Ø 60mm
05.750.010	Tazio bollard with base plate, Ø 60mm

**1 | STAINLESS STEEL BOLLARD, Ø 89MM**

An elegant and slim post in stainless steel, quality 316. With versions to grout in or to remove from base sleeve with triangular lock on cylinder. Its diameter is 89mm.

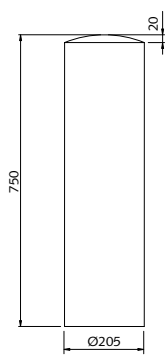
**2 | STAINLESS STEEL BOLLARD, Ø 205MM**

Demarcation bollard ideal for Plaza's or Squares or any other pedestrianised areas, made from 316 grade stainless steel they will stay looking good for many year. Diameter is 205mm. Reflective red or white tape can be added if required.

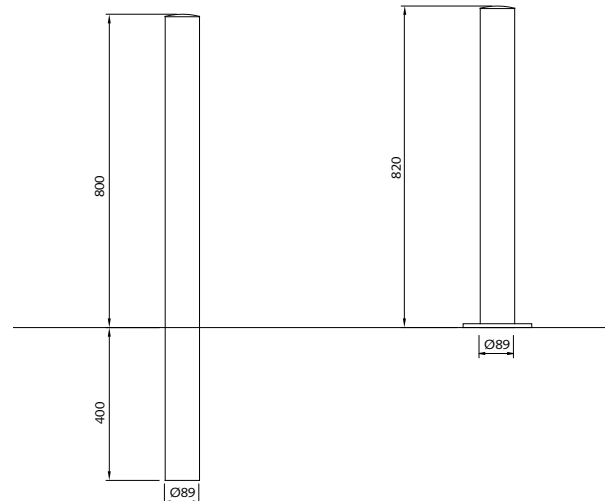
**3 | TAZIO BOLLARD**

Column bollard with a diameter of 60mm stainless steel with upper terminal provided with an illuminated LED system. Slits are present along the tubular structure, these are lined internally with plastine opaline piping to uniformly diffuse light. It is available with extended tube for below ground installation or with base plate. Minimum quantity per order is 10 items.

**Part code 05.400.600**



**Part code 05.420.010      Part code 05.420.060**





**1 STAINLESS STEEL BOLLARD Ø 48MM**

A slender bollard with a diameter of 48mm in 304 grade stainless steel for installation below ground or with a base plate. Ideal in an architectural environment such as parks and town centres.

**2 STAINLESS STEEL BOLLARD Ø 102MM**

A robust bollard with a diameter of 102 mm in 304 grade stainless steel. This bollard gives both a visible and static deterrent. Very suitable as a separation for pedestrians and vehicles, Plaza's or Squares etc.

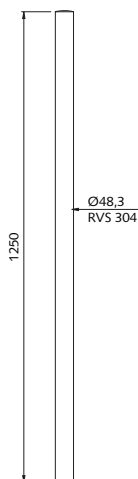
Available with base plate, extended tube for below ground installation or removable.



**1 STAINLESS STEEL BOLLARD, Ø 48MM**

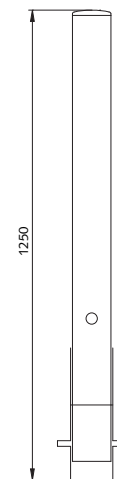
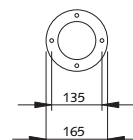
Part code	Description
05.630.000	Stainless steel bollard, extended for below ground installation, Ø 48mm
05.630.010	Stainless steel bollard, Ø 48mm, with base plate
2 STAINLESS STEEL BOLLARD, Ø 102MM	
Part code	Description
05.680.160	Stainless steel bollard, with round base plate, Ø 102mm
05.682.080	Stainless steel bollard, removable, total length 1250mm, triangular quick opening system, without base sleeve, Ø 102mm
05.682.180	Stainless steel bollard, removable total length 1250mm, triangular quick opening system, with base sleeve, Ø 102mm
05.682.200	cover for base sleeve of stainless steel bollard 05.68x.xxx

Part code 05.630.000



Part code 05.680.160

Part code 05.682.180





**1 BOWLER BOLLARD, FIXED**

Part code	Description
02.950.060	total length 820 mm from base plate 180x180 mm
02.950.700	additional charge for powdercoating in RAL colour
02.960.020	total length 1220 mm to grout in
02.960.040	length 1220 mm from separate galvanised ground plate 300x300 mm with 2 M8x16 bolts
02.960.050	length 1220 mm from welded ground plate 300x300 mm
02.960.700	additional charge for powdercoating in RAL colour
02.960.701	additional charge for powdercoating in RAL 9010, colour: white
02.960.703	additional charge for powdercoating in RAL 6012, colour: green
02.960.756	additional charge for white coating with 2 red bands
Part code	Available for mounting chains:
03.890.000	set of brackets, galvanised, for attaching chains, incl. stainless steel bolts
03.890.700	additional charge for powdercoating brackets in RAL colour
03.891.000	set of brackets, galvanised and powdercoated in RAL 9010, colour: white
03.892.000	set of brackets, galvanised and powdercoated in RAL 6012, colour: green
<b>NB</b>	<b>See page 125 for chains</b>

**2 BOWLER BOLLARD, STAINLESS STEEL**

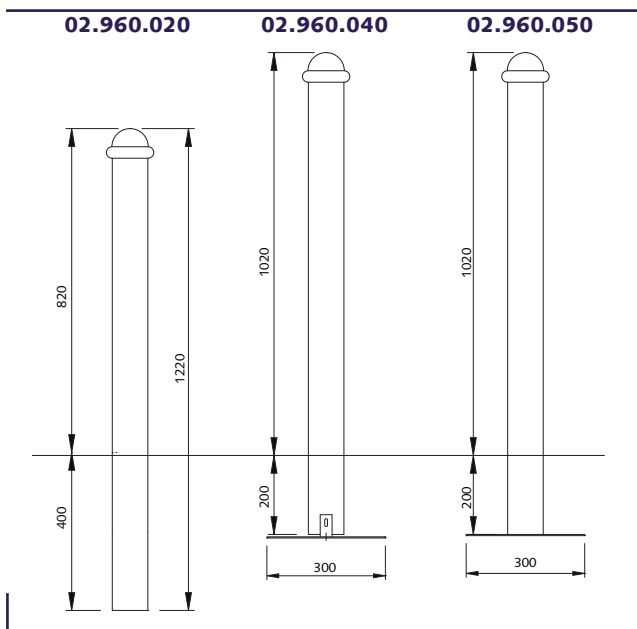
Part code	Description
05.410.010	length 1250 mm to grout in
05.410.060	post on base plate 180x180 mm, length 820 mm
05.412.080	removable, length 820 mm, with quick fastening system
05.413.080	removable, length 820 mm, with cylinder system

**1 BOWLER BOLLARD, FIXED**

The Bowler bollard is based on the traditional cannon design used extensively through out the UK and Europe. This versatile bollard is available in a wide range of versions, stainless steel, galvanized only or galvanized and powder coated in choice of 192 standard RAL colours, these options can be supplied as an extended tube version for below ground installation, with a base plate to surface fix or as a removable bollard (see page opposite).

If required brackets can be added to the bollard so chain linking can be used. The Bowler theme can be used through out a scheme by using the coordinated range of seating, litter bins, and guide rails.

Call our Technical Sales Staff for co-ordinated street furniture ideas.





### 3 BOWLER BOLLARD, REMOVABLE

Alongside the fixed posts the Falco Design Line Bowler also offers a wide range of removable posts, available with 2 securing systems.

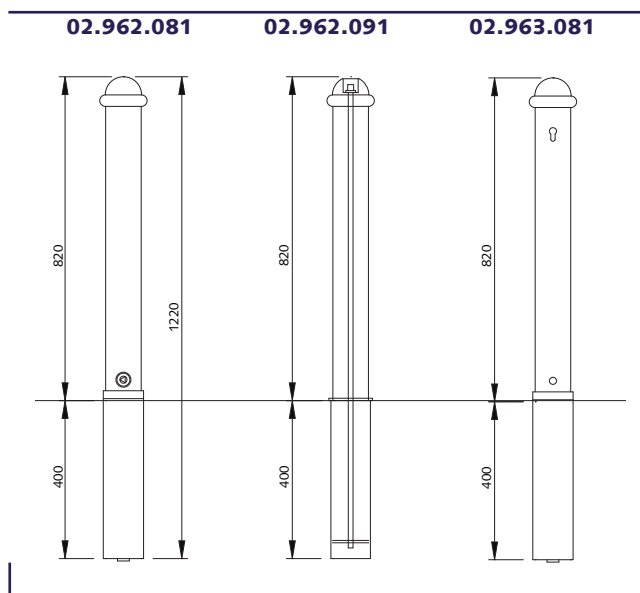
Firstly, quick fastening. Ideal for those situations where the post needs to be removed regularly and therefore quickly. When it is replaced, the post clicks back into the fixing (photo 3A). Unlock with the special Falco triangular key (art.no. 03.190.000).

A threaded spindle (photo 3B) in the post allows the post to be fastened and unfastened using the triangular key.

The quick fastening post is also available with a separate locking half euro profile cylinder (included, photo 3C).

Highly suitable for those situations where the post only needs to be removed occasionally.

The base sockets can be ordered separately.



### 3 BOWLER BOLLARD, REMOVABLE

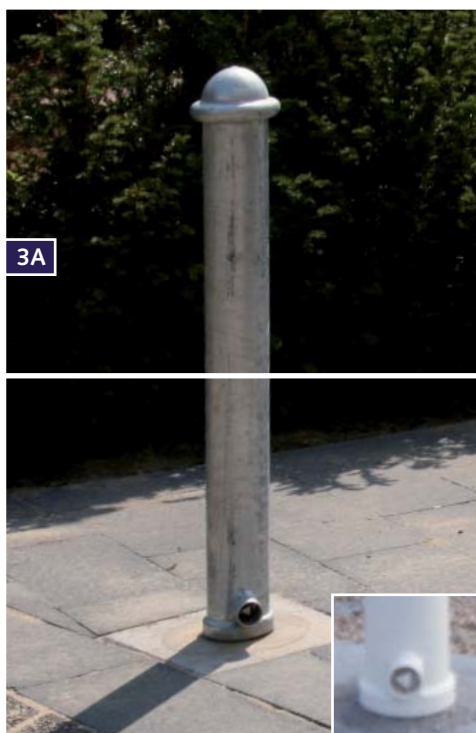
Part code	Triangular quick fastening system (photo 3A)
02.962.081	removable post with triangular quick fastening system, with base sleeve long 400mm
02.962.700	additional charge for powdercoating in RAL colour
02.962.756	additional charge for white coating with 2 red bands
02.998.040	steel hot-dip galvanised base socket, length 400mm
02.960.756	special triangular key
Part code	Triangular spindle fastening system (photo 3B)
02.962.091	removable post with triangular spindle fastening system, with base sleeve 400mm long
02.962.700	additional charge for powdercoating in RAL colour
02.962.756	additional charge for white coating with 2 red bands
02.997.040	steel hot-dip galvanised base socket, length 400mm
03.190.000	special triangular key
Part code	Cylinder lock system with 3 keys (photo 3C)
02.963.081	removable post with cylinder lock system system, keyed differently
02.963.700	additional charge for powdercoating in RAL colour
02.963.756	additional charge for white coating with 2 red bands
02.998.040	steel hot-dip galvanised base socket, length 400 mm

### CO-ORDINATED PRODUCTS

Guide rails page no. 144 and 145.

Litter bin page no. 100.

Cycle parking system page no. 188.





1 CONICAL BOLLARD, FIXED	
Part code	Description
03.800.010	Conical fixed barrier post, total length 1050mm
03.800.020	Conical fixed barrier post, total length 1250mm
03.800.040	Conical fixed barrier post, total length 1250mm, with separate ground plate 300x300mm
03.800.060	Conical fixed barrier post, total length 820mm from welded base plate 300x300mm
03.800.700	additional price for powdercoating of post 03.800.010/020/040 in RAL colour
03.800.701	additional charge for powdercoating of post 03.800.010/020/040 in RAL 9010 - white
03.800.703	additional charge for powdercoating of post 03.800.010/020/040 in RAL 6012 - green
03.800.710	additional charge for powdercoating of post 03.800.050/060 in RAL

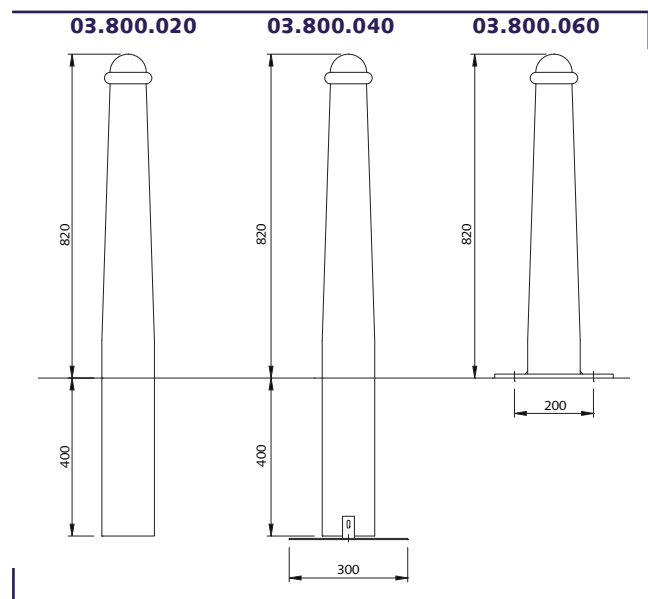
**1 CONICAL BOLLARD**

A barrier post made of steel tubing with a diameter of 133/90x3 mm. This series of barrier posts are fitted with a rounded steel top made of a single piece of flat steel with ring. Overall, it is therefore a sturdy barrier post with an attractively finished rounded Bowler top.

Usable in virtually any environment and for many purposes. We produce these barrier posts in large quantities, making the price particularly attractive.

Unlike so many imitations, these conical barrier posts are not made of welded steel plate; a special system is used to heat and regenerate the seamless tubing. The result is a much stronger post without a weld seam.

If required brackets can be added to the bollard so chain linking can be used.





## 2 CONICAL BOLLARD, REMOVABLE

Alongside the fixed posts we also offer a wide range of removable posts, available with 2 securing systems.

Firstly, quick fastening. Ideal for those situations where the post needs to be removed regularly and therefore quickly. When it is replaced, the post clicks back into the fixing (photo 2A). Unlock with the special Falco triangular key (art.no. 03.190.000).

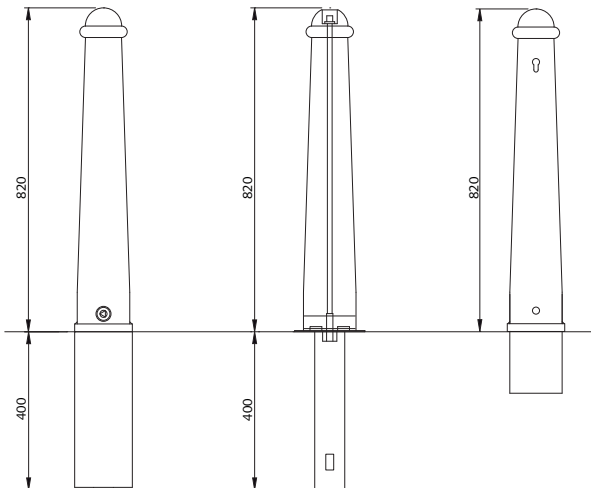
For the spindle fastening (photo 2B), a threaded spindle in the post allows the post to be fastened and unfastened using the triangular key.

The quick fastening post is also available with a separate locking half euro profile cylinder with 3 keys (included, photo 2C).

Highly suitable for those situations where the post only needs to be removed occasionally.

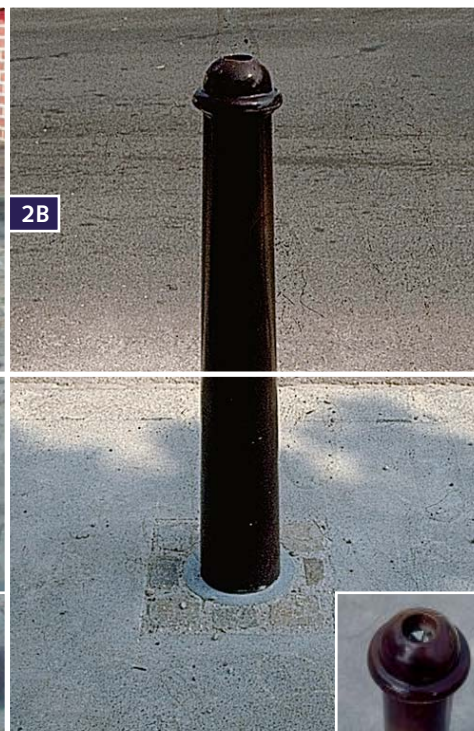
The base sockets can be ordered separately.

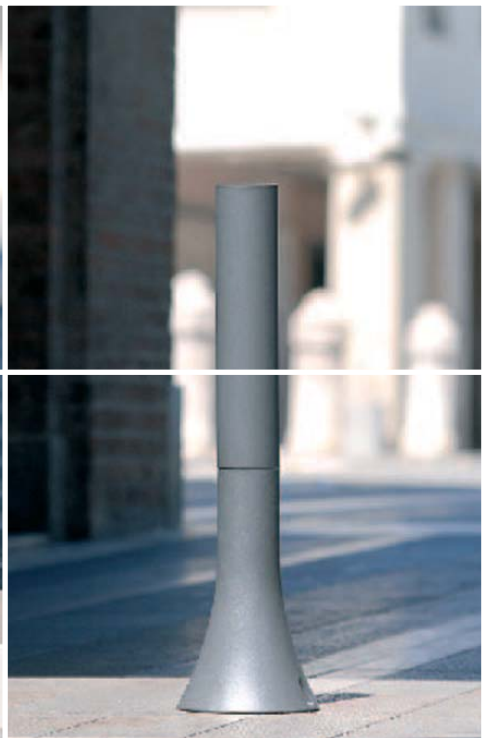
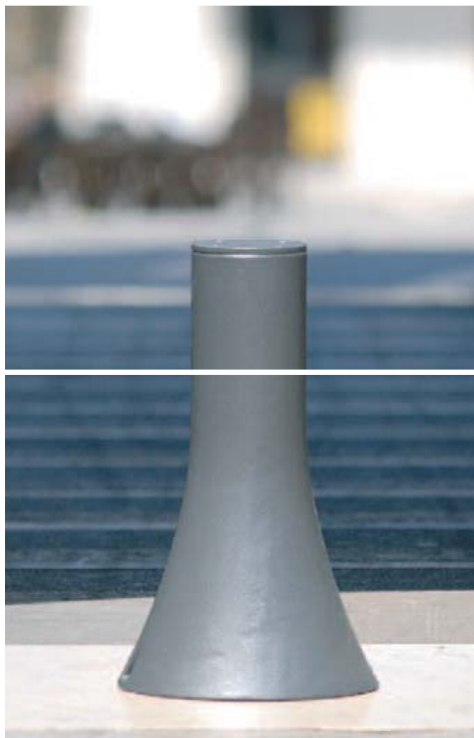
**03.802.080 + 03.898.040**      **03.802.090 + 03.899.040**      **03.803.090**



## 2 CONICAL BOLLARD, REMOVABLE

Part code	Triangular quick fastening system (photo 2A)
03.802.080	removable conical bollard with quick fastening triangular locking system, without base sleeve
03.802.700	additional price for powdercoating of post in RAL colour
03.802.701	additional charge for powdercoating post in white, RAL 9010
03.802.703	additional charge for powdercoating post in green, RAL 6012
03.898.040	separate base sleeve with top plate for conical post with quick fastening system, length 400mm
Part code	Triangular spindle fastening system (photo 2B)
03.802.090	removable conical bollard with spindle fastening triangular locking system, without base sleeve
03.802.700	additional charge for powdercoating post in RAL colour
03.802.701	additional charge for powdercoating post in white, RAL 9010
03.802.703	additional charge for powdercoating post in green, RAL 6012
03.899.040	separate base sleeve with top plate for conical post with spindle system, length 400mm
Part code	Cylinder lock system with 3 keys (photo 2C)
03.803.090	removable conical bollard with quick fastening locking system for cylinder (included)
03.803.700	additional charge for powdercoating post in RAL colour
03.803.701	additional charge for powdercoating post in white, RAL 9010
03.803.703	additional charge for powdercoating post in green, RAL 6012
03.898.040	separate base sleeve with top plate for conical post with quick fastening system, length 400mm





1 MONET BOLLARD	
Part code	Description
04.902.800	Monet bollard, High Aluminium Bollard without lighting
04.903.800	Monet bollard, High Cast Iron Bollard without lighting
04.902.816	Monet bollard, High Aluminium Bollard with lighting
04.903.816	Monet bollard, High Cast Iron Bollard with lighting
04.900.800	Monet bollard, Low Aluminium Bollard without lighting
04.900.816	Monet bollard, Low Aluminium bollard with lighting
04.901.800	Monet bollard, Low Cast Iron Bollard without lighting
04.901.816	Monet bollard, Low Cast Iron bollard with lighting

### 1 MONET BOLLARD

The Monet bollard is part of a collection that has impressionist echoes and gives elegance and personality to urban spaces. Subsequently the Monet bollard can be formed in cast iron or aluminium and is available in two different heights both of which are available with or without lighting.

The shape is characterised by a column that widens on its downward journey, finished in black steel, other standard RAL colours are available.

The bollard can also have optional chain linking, or can be linked with stainless steel tubing to create an elegant and stylish barrier detail are available on request.

### CO-ORDINATED PRODUCTS

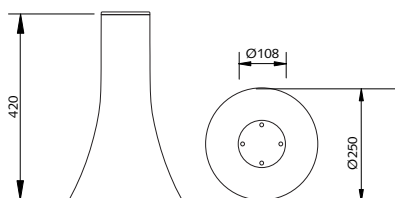
Benches page no. 40.

Litter bins page no. 86.

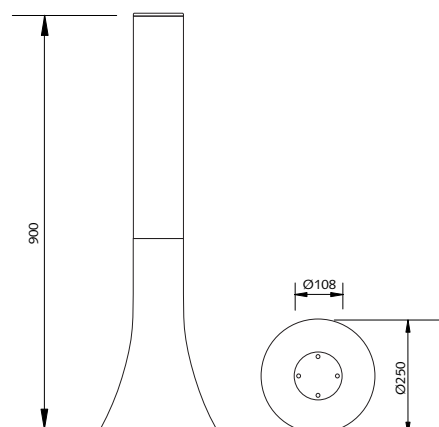
Planters page no. 132.



#### Monet low bollard



#### Monet high bollard





## 1 CIMA BOLLARD

Cima is a ball shaped bollard with a flattened underside. Here under fits an aluminum pole with round base plate supplied with 3 bolt holes for ground fixing. The sphere is black coated while the pole and the base plate are aluminium colored.

Total height is 330mm, height of the globe is 260mm and with a diameter of 300mm. Nice detail is the optional obtainable LED lightning inside the sphere which shines out from the underside. The light shines to the floor along the pole.

## CO-ORDINATED PRODUCTS

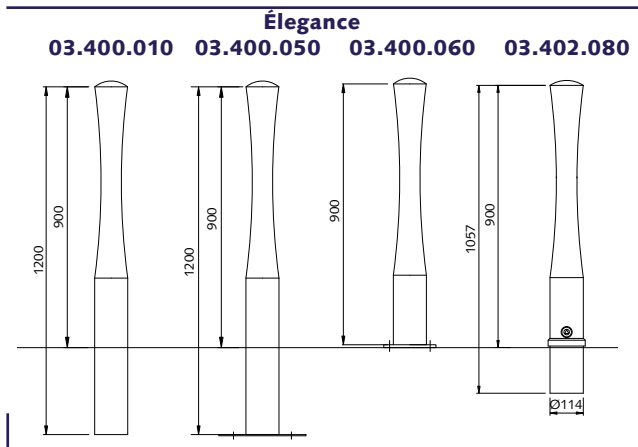
Benches page no. 22.

Litter bins page no. 86.

Planters page no. 132.

## 2 ÉLEGANCE BOLLARD

Élegance is certainly a term which applies to this new post from Falco. A svelte appearance thanks to the slim mid-part, and attractively finished at the top with a slightly curved top. The post curves from 114 mm to 70 mm to 113 mm.



## 1 CIMA BOLLARD

Part code	Description
04.905.800	Cima bollard, Aluminium
04.905.816	Cima bollard, Aluminium with lighting
04.906.800	Cima bollard, Cast Iron
04.906.816	Cima bollard, Iron with lighting

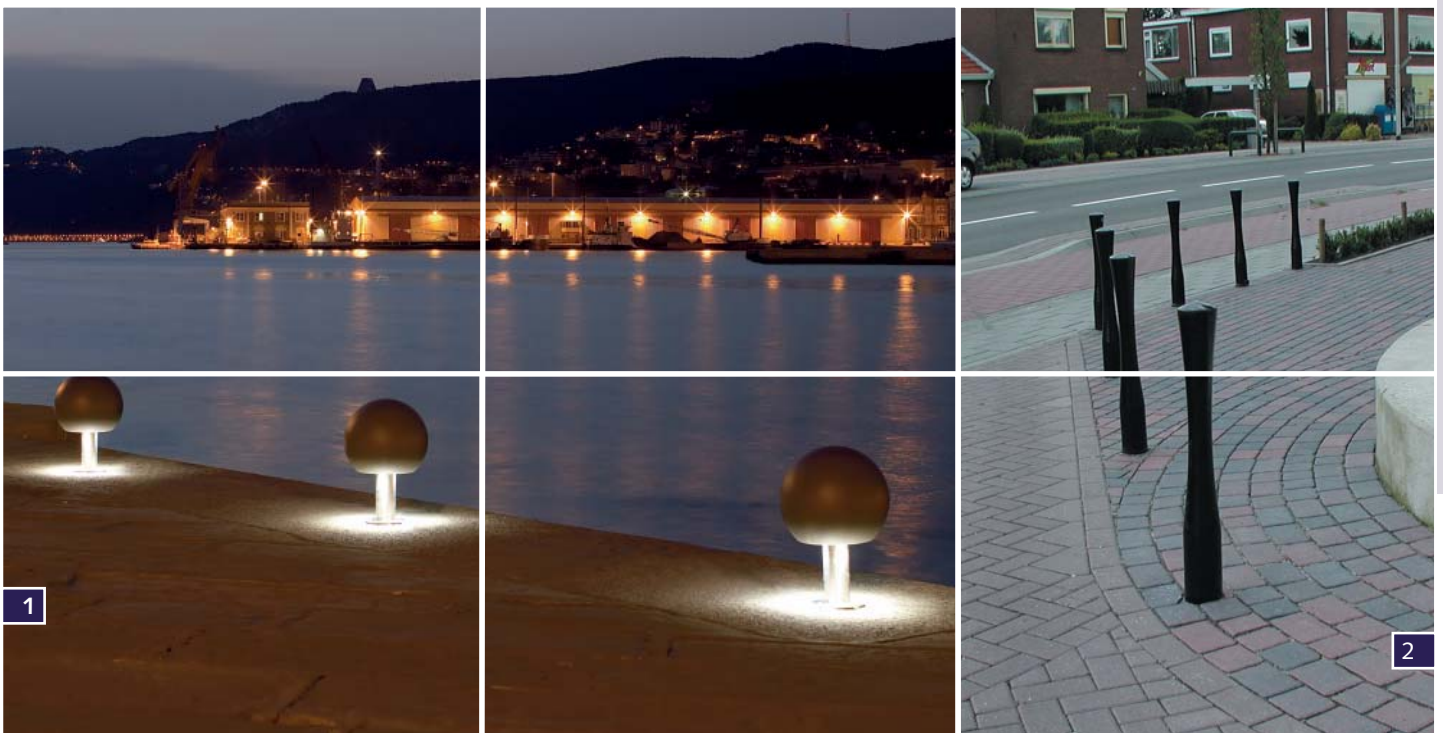
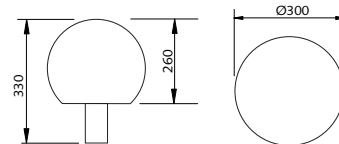
## 2 ÉLEGANCE BOLLARD

Part code	Description
03.400.010	Élegance fixed barrier bollard, total length 1200mm
03.400.050	Élegance fixed barrier bollard, total length 1200mm from welded ground plate 300x300mm
03.400.060	Élegance fixed barrier bollard, total length 900mm from welded base plate 180x180mm
03.400.700	additional charge for powdercoating of post RAL
03.402.080	Élegance removable barrier bollard, p total length 900mm, locking with triangular quick fastening
03.402.700	additional charge for powdercoating of post RAL
03.498.023	base sleeve, long 200 mm
03.190.000	triangular key

The additional option of powder-coating means that the Elegance barrier post can be used practically anywhere. Models with base plate and welded base plate are also available.

Another attractive addition to our range of posts, another style innovation from Falco. Galvanised according to EN-ISO 1461.

## Cima





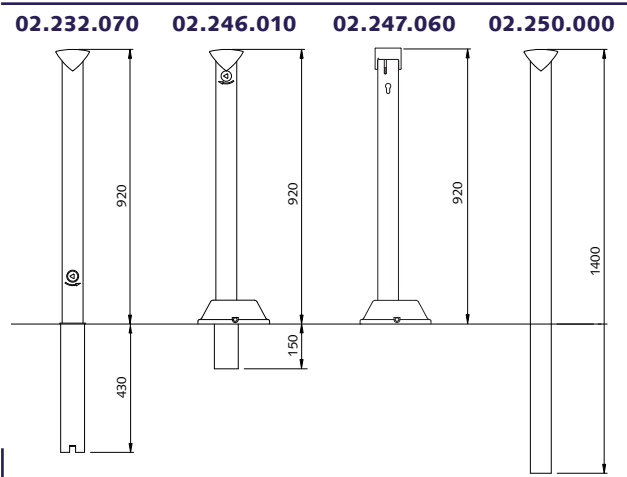
1 TRIANGLE BOLLARD	
<b>Part code</b>	<b>Removable barrier bollard, triangular key locking</b>
02.232.070	Triangle bollard without base sleeve (long anchor)
02.232.270	Triangle bollard, coated white with 2 reflecting strips, without base sleeve (long anchor)
02.232.700*	additional charge for powdercoating in RAL colour
02.232.701*	additional charge for powdercoating in RAL colour
03.191.043	base sleeve long 430 mm for 02.232.070/02.232.270 to grout in
<b>Part code</b>	<b>Folding barrier bollard, triangular key locking</b>
02.246.010	Triangle bollard with anchor 150 mm to grout in
02.246.210	Triangle bollard, coated white with 2 reflecting strips, with anchor 150 mm to grout in
02.246.700*	additional charge for powdercoating in RAL colour
02.246.701*	additional charge for powdercoating in RAL colour
03.190.000	triangular key for 02.246.010/02.246.210
<b>Part code</b>	<b>Folding barrier bollard, cylinder locking system</b>
02.247.060	Triangle bollard on hinging base
02.247.260	Triangle bollard, coated white with 2 reflecting strips, on hinging base
03.990.000	euro profile half-cylinder, key differently with 3 keys, length 39.5 mm, ordered with Falco product
03.990.010	euro profile half-cylinder, keyed alike with 3 keys, length 39.5 mm, ordered with Falco product
<b>Part code</b>	<b>Fixed barrier bollard</b>
02.250.000	Triangle bollard with 500 mm anchor to grout in
02.250.200	Triangle bollard, coated white with 2 reflecting strips, with 500 mm anchor to grout in
02.250.700*	additional charge for powdercoating in RAL colour
02.250.701*	additional charge for powdercoating in RAL colour
xx.xxx.700*	additional charge for bollard with Triangle finial powdercoated in a RAL colour
xx.xxx.701*	additional charge for Triangle finial powdercoated in a RAL colour

## 1 TRIANGLE BOLLARD

The Triangle range of products from Falco is a co-ordinated range of street furniture characterised by its fresh eye catching design, its functionality and its durability. The range consists of; shelters, canopies, benches and seating, litter bins, bollards and cycle parking systems. The range also benefits from the versatility of the material options available: a range of aggregates can be used to create either light cream supports or heavier appearance darker mounts to contrast with the hardwood slats. Similarly, the range can be made in either stainless steel or powder coated in any of the 192 RAL colours. As a result, the aesthetics of the FalcoTriangle range are well suited to both modern urban locations or traditional rural settings, providing the architect with a very versatile range of products with which to create a distinctive outdoor environment. The Triangle bollards are available in fixed, removable and folding designs. The top of the bollards are all finished with the 'Triangle Finial' which is made from aluminium, the body of the bollard is formed from 70 x 70mm square steel tube which is galvanised and can optionally be powder coated in 192 standard RAL colours.

## CO-ORDINATED PRODUCTS

Benches page no. 16 and 17. Litter bins page no. 85. Shelters page no. 222 and 223. Cycle parking page no. 168, 176, 177 and 178.







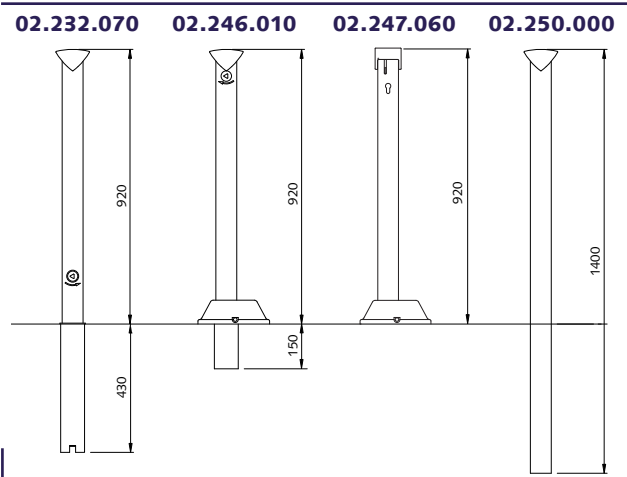
1 TRIANGLE BOLLARD	
<b>Part code</b>	<b>Removable barrier bollard, triangular key locking</b>
02.232.070	Triangle bollard without base sleeve (long anchor)
02.232.270	Triangle bollard, coated white with 2 reflecting strips, without base sleeve (long anchor)
02.232.700*	additional charge for powdercoating in RAL colour
02.232.701*	additional charge for powdercoating in RAL colour
03.191.043	base sleeve long 430 mm for 02.232.070/02.232.270 to grout in
<b>Part code</b>	<b>Folding barrier bollard, triangular key locking</b>
02.246.010	Triangle bollard with anchor 150 mm to grout in
02.246.210	Triangle bollard, coated white with 2 reflecting strips, with anchor 150 mm to grout in
02.246.700*	additional charge for powdercoating in RAL colour
02.246.701*	additional charge for powdercoating in RAL colour
03.190.000	triangular key for 02.246.010/02.246.210
<b>Part code</b>	<b>Folding barrier bollard, cylinder locking system</b>
02.247.060	Triangle bollard on hinging base
02.247.260	Triangle bollard, coated white with 2 reflecting strips, on hinging base
03.990.000	euro profile half-cylinder, key differently with 3 keys, length 39.5 mm, ordered with Falco product
03.990.010	euro profile half-cylinder, keyed alike with 3 keys, length 39.5 mm, ordered with Falco product
<b>Part code</b>	<b>Fixed barrier bollard</b>
02.250.000	Triangle bollard with 500 mm anchor to grout in
02.250.200	Triangle bollard, coated white with 2 reflecting strips, with 500 mm anchor to grout in
02.250.700*	additional charge for powdercoating in RAL colour
02.250.701*	additional charge for powdercoating in RAL colour
xx.xxx.700*	additional charge for bollard with Triangle finial powdercoated in a RAL colour
xx.xxx.701*	additional charge for Triangle finial powdercoated in a RAL colour

## 1 TRIANGLE BOLLARD

The Triangle range of products from Falco is a co-ordinated range of street furniture characterised by its fresh eye catching design, its functionality and its durability. The range consists of; shelters, canopies, benches and seating, litter bins, bollards and cycle parking systems. The range also benefits from the versatility of the material options available: a range of aggregates can be used to create either light cream supports or heavier appearance darker mounts to contrast with the hardwood slats. Similarly, the range can be made in either stainless steel or powder coated in any of the 192 RAL colours. As a result, the aesthetics of the FalcoTriangle range are well suited to both modern urban locations or traditional rural settings, providing the architect with a very versatile range of products with which to create a distinctive outdoor environment. The Triangle bollards are available in fixed, removable and folding designs. The top of the bollards are all finished with the 'Triangle Finial' which is made from aluminium, the body of the bollard is formed from 70 x 70mm square steel tube which is galvanised and can optionally be powder coated in 192 standard RAL colours.

## CO-ORDINATED PRODUCTS

Benches page no. 16 and 17. Litter bins page no. 85. Shelters page no. 222 and 223. Cycle parking page no. 168, 176, 177 and 178.



## 1 STAND UP BOLLARD

A distinctive combination of wood and steel to give this bollard a noble and functional look.

This bollard will coordinate with both the FalcoCube and FalcoBloc ranges of seating and litter bins.

All steel parts are galvanized and can be supplied powder coated on request in one of our 192 standard RAL colours.

The bollard can be surface fixed by means of a base plate or below ground fixed with the anchor piece.

## 2 PLAZA BOLLARD

modo®

A beautiful and simple design for use throughout any urban streetscape. Low maintenance bollard with high visual appeal, constructed from cylindrical 130mm diameter Cor-ten steel tubing, and topped off with 140mm diameter stainless steel cap.

The Plaza can be constructed from Cor-ten steel only if required.

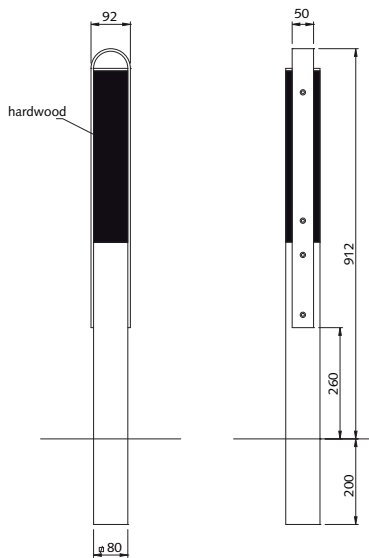
## 1 STAND UP BOLLARD

Part code	Description
02.290.000	Stand Up bollard 80x80 mm, anchor piece 200 mm
02.290.060	Stand Up bollard 80x80 mm, base plate 180x180x10 mm
02.290.700	additional charge for powdercoating in a RAL colour

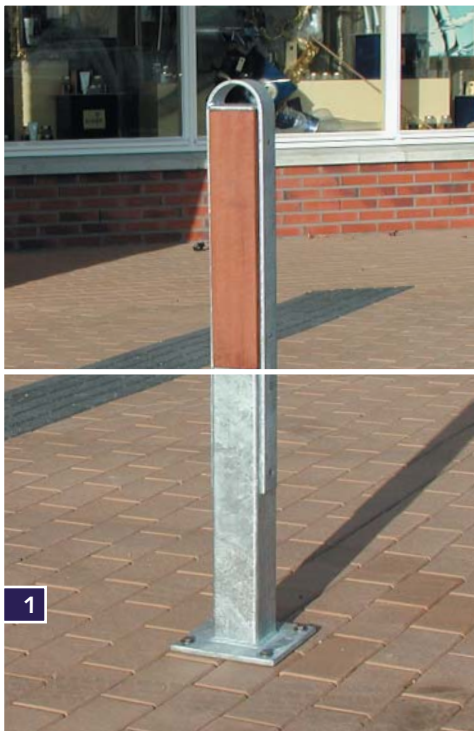
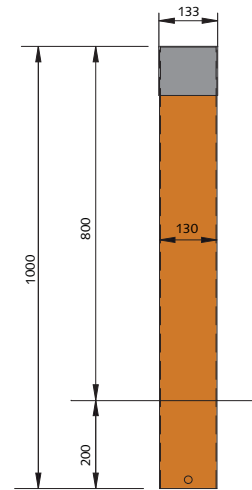
## 2 PLAZA BOLLARD

Part code	Description
04.800.050	Plaza Bollard, corten and stainless steel
04.800.000	Plaza bollard, corten only

Stand Up, Part code 02.290.000



Plaza, Part code 04.800.050





## 1 FALCOFLATLINE BOLLARD

The trend towards tighter form continues and this innovative looking rigid structure fits into virtually any street. Constructed from steel and galvanized it's appeal and versatility can be added to by choosing one of our 192 standard powder coating RAL colours.

Can be used alongside the FalcoBloc (pages 34 and 35) or FalcoCube (pages 36 and 37) as part of our range of coordinating street furniture.

The FalcoFlatline is also available as cycle stand/leaning bracket (page 169).

## 2 DO BOLLARD

The Do Bollard has a domed top that is elliptical with truncated cone shaped body all cast from aluminium with an average diameter of 70 mm.

The bollard can be supplied with eyebolts for the fastening of chains.

It is available in a removable version, which includes a fixed element to be embedded in the ground.

Colour: micaceous grey.

Overall dimensions: Ø80x1200 mm high (1000h above ground).

## 3 GRISOU BOLLARD

Overtured U shaped bollard formed from galvanised steel tubing 60 x 30mm section, provided with steel eyebolts for attaching chain link.

Grisou is available with a base plate for surface fixing, extended for below ground installation or removable from a fixed base.

Overall dimensions are 200 x 60 x 800mm high.

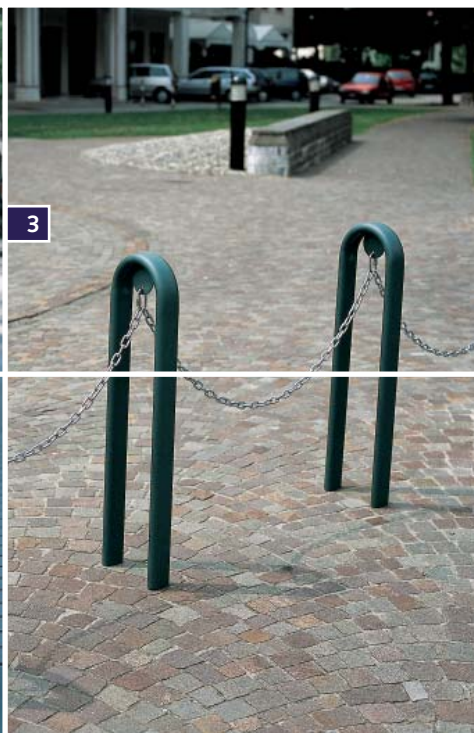
1 FALCOFLATLINE	
Part code	Description
02.120.040	FalcoFlatline bollard, fixed, total length 1300mm
02.120.700	additional charge for powdercoating in RAL colour
02.120.200	FalcoFlatline bollard, fixed, length 900mm, with base plate 200x100mm
02.120.720	additional charge for powdercoating bollard with base plate in RAL colour
2 DO	
Part code	Description
04.940.800*	Do bollard for below ground installation, total length 1200 mm, powdercoated in standard RAL colour
04.940.850*	Do bollard, removable, length from surface 1000 mm, powdercoated in standard RAL colour
3 GRISOU	
Part code	Description
04.930.800*	Grisou bollard for below ground installation, total length 970 mm, powdercoated in standard RAL colour
04.931.800*	Grisou bollard with base plate, total length 800 mm, powdercoated in standard RAL colour
04.932.800*	Grisou bollard, removable, length from surface 800 mm, powdercoated in standard RAL colour
You can choose from 11 standard colours:	
RAL 1007, daffodil yellow	RAL 3000, fire red
RAL 3005, wine red	RAL 4004, violet bordeaux
RAL 5013, cobalt blue	RAL 6009, pine green
RAL 6005, moss green	RAL 6029, mint green
RAL 7016, anthracite grey	RAL 9005, deep black
RAL 9007, grey aluminium	



1



2



3



1



2



2

1	FALCOGRANITE BOLLARD
Part code	Description
07.021.015	FalcoGranite bollard in smooth/chiseled, black granite
2	FALCOGRANITE PAWN
Part code	Description
07.020.015	FalcoGranite pawn, polished, black granite

**1 FALCOGRANITE BOLLARD**  
 Smooth and clean lined demarcation bollard offering a Mediterranean feel for Town Squares, Plaza's , or any pedestrianised areas, also offers the opportunity to be used as seating if required.

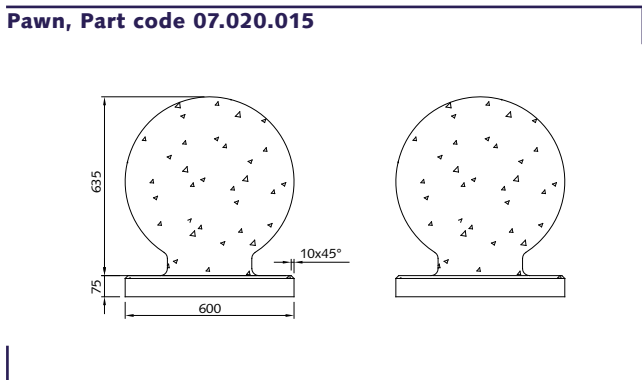
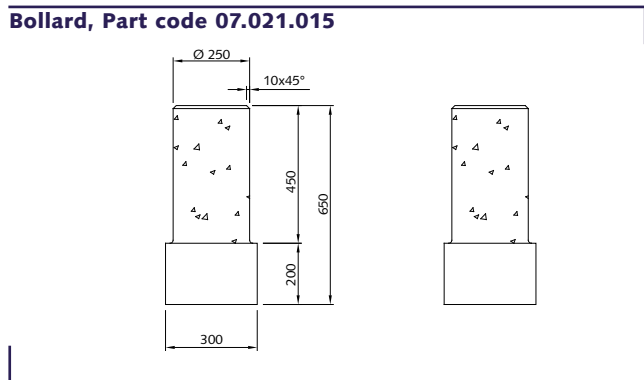
Overall height is 450 mm.  
 The square block (300x300x300 mm) can be sunk below the boulder.

**2 FALCOGRANITE PAWN**  
 A round granite sphere offering timeless appeal to any location.  
 Overall diameter of 600mm.

The sphere rests on a square area with the dimensions 600x600x75mm that can be sunk below the boulder.

**FALCOGRANITE PRODUCTS**

Falco can now offer a range of granite products this has been influenced by a growing trend towards natural/organic look products from solid materials such as concrete or stone. The advantages that can be obtained from the use of these materials are their stability, strength against vandalism, and very low maintenance costs. The granite was already proved successful as an element in our Triangle range.





## 1 MOON BOLLARD

The Moon is especially suitable as a demarcation of pedestrianised areas, and deposition along sidewalks and quays. It can be used as an alternative to rows of bollards and adds a beautification to a townscape.

Moon is formed from cast iron as standard black RAL 9005.

The Moon is 300 mm round and has a total height including the base of 420 mm.

## 2 SFERA BOLLARD

A striking sphere which is not only useful for demarcation but also embellishment of a streetscape.

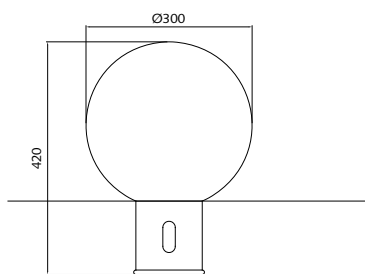
The ball can have eye bolts added to enable chain link to be used.

It is available in 3 finishes engraved, textured or smooth, the base of the ball is flat.

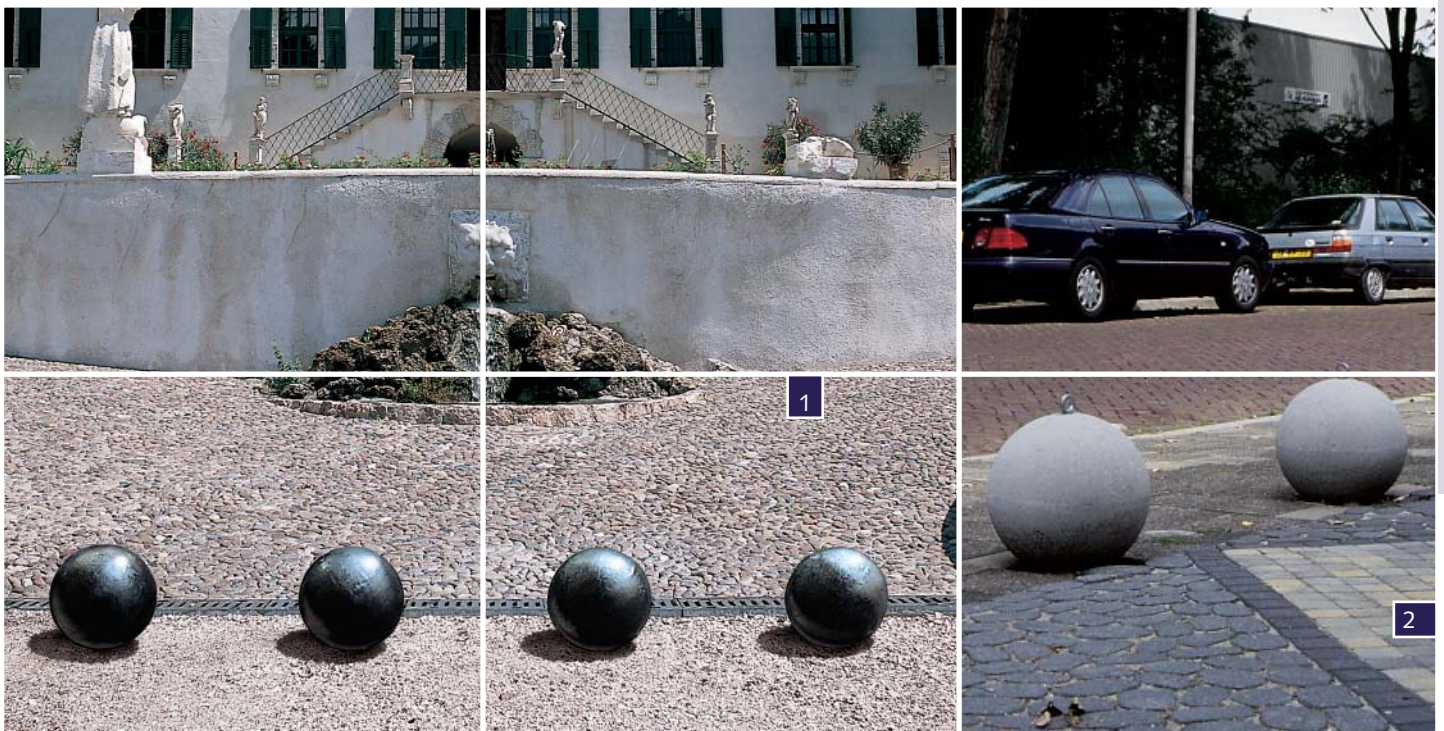
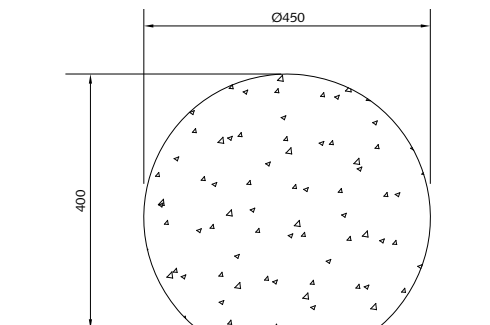
The Sfera has a diameter of 450 mm and 400 mm high,

1	MOON
Part code	Description
04.915.000	Moon bollard of cast iron, height 40cm, diameter 300mm, weight 31 kilo
2	SFERA
Part code	Description
39.808.x00*	Sfera bollard, engraved
39.808.x08*	Sfera bollard, sandblasted
39.808.x09*	Sfera bollard, smooth
39.840.000	anchor tube to be anchored below the sphere and after fixation to be poured with concrete, length 600mm
<b>There is a choice of 5 colours which are recognized by the 6th. figure of the Part code:</b>	
xx.xxx.0xx = pink	xx.xxx.1xx = grey
xx.xxx.2xx = green	xx.xxx.3xx = salt and pepper
xx.xxx.5xx = yellow	

Moon, Part code 04.915.000



Sfera, Part code 39.808.x0x





1	CHAIN BOLLARD
Part code	Description
02.460.102	Chain bollard, fixed, total length 1100mm
02.460.700	additional charge for powdercoating of post RAL
2	CHAIN BOLLARD
Part code	Description
03.150.000	Chain bollard, total length 1500mm
03.150.700	additional charge for powdercoating of post RAL
03.150.200	Chain bollard, total length 1500mm, in white 2K coating and 2 reflecting red bands
3	MOBILE CHAIN BOLLARD
Part code	Description
02.466.000	Chain bollard, movable steel, with container feet 300x300x100mm with two handles
02.466.700	additional charge for powdercoating of post RAL

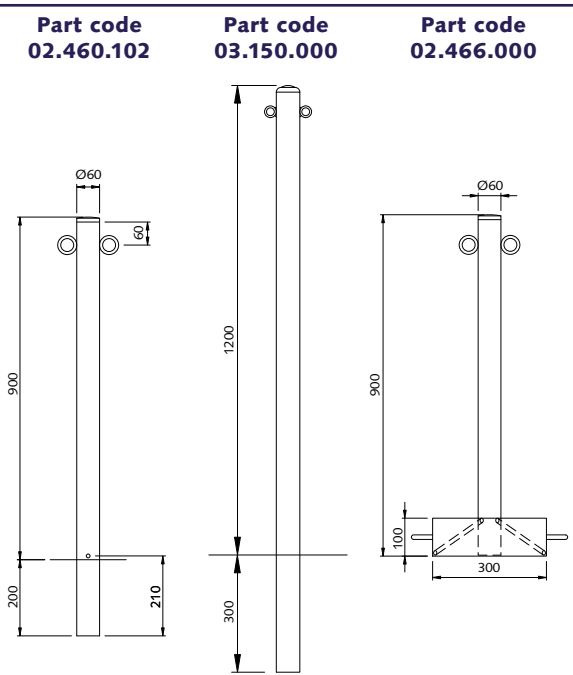
**1 CHAIN BOLLARD 1100MM**  
 A simple 60 mm round steel chain post with two welded eyes and a plastic cap. Height 1100 mm including 300 mm below ground anchor element.

**2 CHAIN BOLLARD 1500MM**  
 An attractive and secure chain post with a tubing diameter of 60 mm. Fitted as standard with two welded chain eyes at 180°. Height above ground 1200mm.

This chain post is available both in simple hot-dip galvanised finish, or hot-dip galvanised and coated white. Equipped with 2 red reflecting bands for good visibility. Other RAL colours are, of course, also an option.

**3 MOBILE CHAIN BOLLARD**  
 An ideal solution for a temporary demarcation. The post has a diameter of 60 mm and is provided with welded tray of 300x300x100 mm.

The tray can be filled with sand or cement. With the welded handlebars you can move the post around.





## 1 CHAINS

All options listed in part box opposite.

## 2 CYLINDER LOCKS

Falco supplies euro profile cylinders including three keys to the standard of DIN. According to DIN 18252, RAL 1811, with 6 pins. These are quality locks which fit the Falco products.

The keys cannot be reproduced without us supplying the blind key!

## 3 PADLOCKS

In addition to tough cylinder locks we also have available padlocks of the same quality. Suitable for the U-lok bicycle support, chains, demarcation posts etc.

The lock body is 50 mm with a solid ring and three keys.

## FILM

Call our sales department for prices.

## DID NOT FIND IT?

Could not find what you were looking for?  
Please ask us.  
In this catalogue only standard items are shown.  
But there is more!

## 1 CHAINS

Part code	Description
03.905.002	steel, electrogalvanised chain coated in red and white, colourchange every 50 cm, thickness of link 6 mm
03.906.000	steel ship chain, thickness of link 6 mm
03.906.006	plastic chain red/white, thickness of link 6 mm
03.908.000	steel chain link thickness 8 mm
03.908.700	additional charge of powdercoating chain 03.908.000 in RAL colour
03.908.020	seperate steel connection link
03.906.101	separate steel S-hook
03.906.103	separate steel S-hook coated in red
03.906.201	separate steel pinch connecting link
03.906.405	separate stainless steel carbine hook dimension 60x6 mm

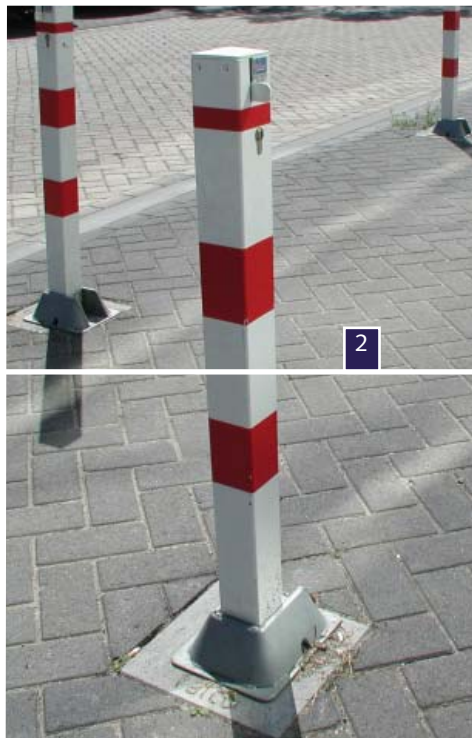
## 2 CYLINDER LOCKS

Part code	Description
03.990.000	half europrofile cylinder, keyed differently with 3 keys, ordered directly with Falco product
03.990.009	separate extra key for half Europrofile cylinder, keyed differently
03.990.010	half Europrofile cylinder, keyed alike with 3 keys, ordered directly with Falco product
03.990.019	separate extra key for half Europrofile cylinder, keyed alike

## 3 PADLOCKS

Part code	Description
03.993.000	brass padlock with 50 mm case, keyed differently, with 3 keys
03.993.010	brass padlock with 50 mm case, keyed alike, with 3 keys





1 SENTRY BOLLARD, FIXED	
Part code	Description
03.130.010	Sentry bollard, fixed, total length 1100mm
03.130.210	Sentry bollard, fixed, total length 1150mm, in white 2K coating with 2 reflecting red bands
2 SENTRY BOLLARD, FOLD-DOWN	
Part code	Description
03.126.200	Sentry bollard with anchor part 300mm, in white coating and 2 red band
03.126.260	Sentry bollard with base plate for concrete floor, in white coating and 2 red bands
03.127.200	Sentry bollard, cylinder lock, with anchor part 300mm, in white coating and 2 red bands
03.127.260	Sentry bollard, cylinder lock, with base plate for concrete floor, in white coating and 2 red bands
03.129.200	Sentry bollard, padlock system, with anchor piece, coated white with 2 red reflecting bands
03.129.260	Sentry bollard, padlock system, ground-mounting base plate, coated white with 2 red reflecting bands
03.190.000	triangular key
03.990.000	half euro profile cylinder, keyed differently
03.990.010	half euro profile cylinder, keyed alike
03.993.100	brass padlock, keyed differently
03.993.110	brass padlock, keyed alike
3 SENTRY BOLLARD, REMOVABLE	
Part code	Description
03.102.070	Sentry bollard with anchor piece
03.102.270	Sentry bollard, coated white with 2 red reflecting bands, with anchor piece
03.102.700	additional charge for powdercoating in RAL colour
03.190.000	triangular key
03.191.043	separate square base sleeve
03.194.000	lockable cover

### 1 SENTRY BOLLARD, FIXED

The 70 x 70 x 3mm Sentry bollard is used frequently as a barrier along pavements, verges, street corners and many other varied locations. Supplied as standard hot dip galvanized or hot dip galvanized and powder coated in white with 2 red reflective bands. Height is 900mm.

### 2 SENTRY BOLLARD, FOLD DOWN

The Sentry fold-down bollard has various fastening options:

- \* Unlocking with a separately ordered triangular key in a non-standard size. When placed upright, the bollard clicks into the lock automatically.
- \* Unlocking with a separately ordered half euro profile cylinder with 3 keys. You can also use your own half euro profile cylinder. When placed upright, the bollard has to be locked with the key.
- \* Unlocking and locking with your own padlock or with the sturdy Falco padlock with 3 keys (order separately).

All models are hot-dip galvanised or hot-dip galvanised and coated white and equipped with 2 red reflecting bands. The base plate is made of steel and is extremely stable. The hinge is well-protected from the wheels of vehicles by the base plate.

The dimensions of the post are 70x70 mm. Available with an anchor piece to embed in a concrete base or with a base plate with holes for mounting on the ground.

### 3 SENTRY BOLLARD, REMOVABLE

Ideal barrier bollard for all situations where the bollard needs to be removed quickly and easily with the triangular key to be ordered separately. No key or similar is required in order to return the bollard. When returned, the post clicks into the lock.

The Sentry bollard is made of 70x70 mm profile and is 900 mm high. Order base socket art.no. 03.191.043 separately. This bollard is hot-dip galvanised or hot-dip galvanised and coated white and equipped with 2 red reflecting bands.



## 1 BLOCKING BOLLARD

An excellent solution for those situations where security and accessibility need to be combined. The blocking bollards are used as protection and demarcation in industry. The bollards are 110 mm square and removable. They can be locked with a padlock (not included). When they have been removed, a lid covers the base socket. Height 900 mm above ground, total 1200 mm.

Equipped with 2 sturdy handles for easy handling. An additional loose base socket is ideal for storing the removed bollard safely and neatly.

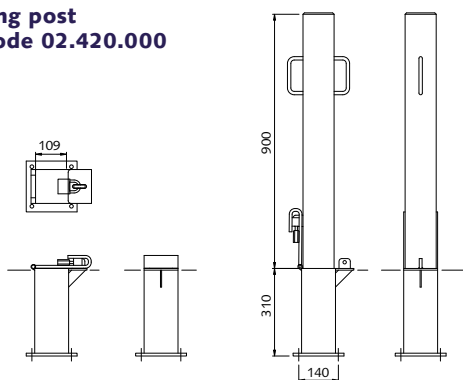
## 2 TELESCOPIC BOLLARD

The square 90x90 mm telescopic bollard is easy to operate with a special key unlocking after opening a small cap. On installation the top is virtually level with the ground.

The base sleeve is round and 140 mm with a flange at the top. The height of the bollard above ground level is 900 mm.

Furthermore the steel is hot-dip galvanized and provided with a reflecting film in red and white. The base sleeve has to be concreted in at site.

**blocking post**  
Part code 02.420.000



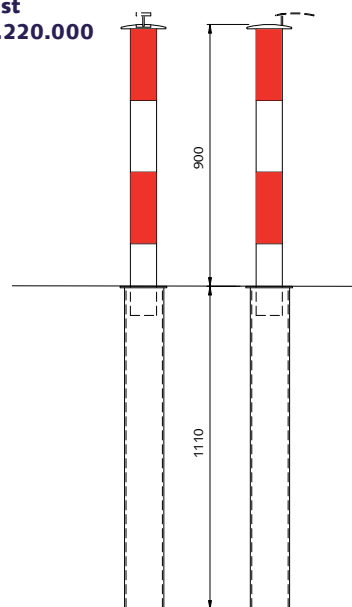
## 1 BLOCKING BOLLARD

Part code	Description
02.420.000	Blocking bollard, height 900 mm
02.420.700	Additional charge for powder coating in a RAL colour
02.420.100	Loose base socket, length 300 mm

## 2 TELESCOPIC BOLLARD

Part code	Description
02.220.000	Square telescopic bollard, with a reflecting film
03.190.000	Triangular key

**telescopic post**  
Part code 02.220.000





## 1 HYDRA BOLLARD

Part code	Description
02.472.000	Hydra bollard, height above ground level 900mm
02.472.700	additional charge for powdercoating of post in RAL colour
02.472.200	Hydra bollard, height above ground level 900mm, white with 2 red reflecting bands
03.190.000	triangular key
02.479.100	loose base sleeve length 500mm
02.479.200	cover for base sleeve

## 2 DEDRA BOLLARD

Part code	Description
02.980.000	Dedra bollard, fixed, total length 1130mm
02.980.060	Dedra bollard, fixed, lenth 900mm from base plate 180x180mm
02.980.700	additional charge for powdercoating of post in RAL colour
02.980.756	additional charge for powdercoating in RAL 9010, colour: white, with 2 reflecting red bands

## 1 HYDRA BOLLARD

A familiar sight in many towns and villages for years. The fastening with a threaded spindle allows the Hydrabollard to be fixed securely. Particularly suitable for situations where the bollard has to be removed occasionally. Made of circular 76mm tubing and 900mm high. Base socket ordered separately.

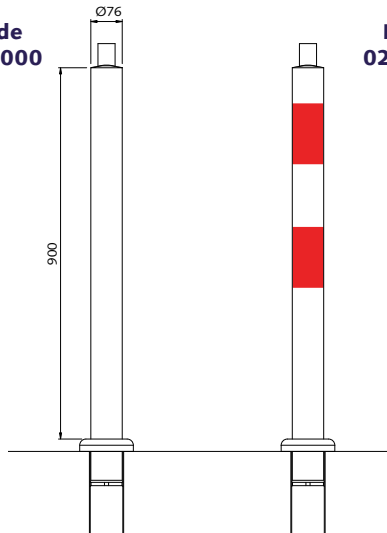
Available both powder-coated in white with red bands and just hot-dip galvanised. Unlocking and locking is only possible with the Falco triangular key.

## 2 DEDRA BOLLARD

A functional demarcation bollard for every situation to guide or hold back traffic. This hot dip galvanised bollard has a diameter of 76 mm and a plastic cap, with a length of 1100 mm to install below ground, or 900 mm from base plate (180x180mm).

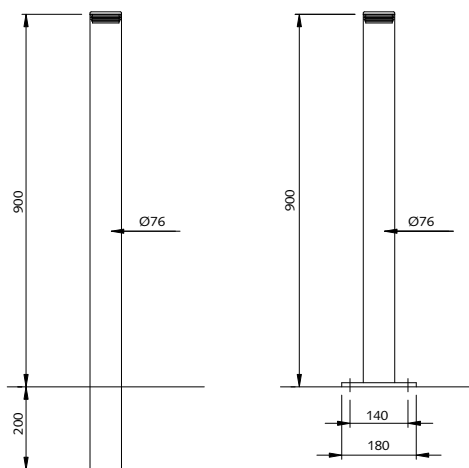
As an option, the bollard can be powdercoated in a standard RAL colour or provided with a white coating and two red reflective tapes.

Hydra,  
Part code  
02.472.000



Hydra,  
Part code  
02.472.200

Dedra,  
Part code 02.980.000    Dedra,  
Part code 02.980.060





### 1 SENTINEL 1 BOLLARD, FIXED

The circular steel barrier posts are particularly effective. In addition, they are also good to look at, thanks to the neat finish. The tubing diameter is 60 mm. Height above ground 920 mm. Available with concrete bases of various dimensions. The post is hot-dip galvanised or hot-dip galvanised and coated white and provided with 2 wide red reflecting bands.

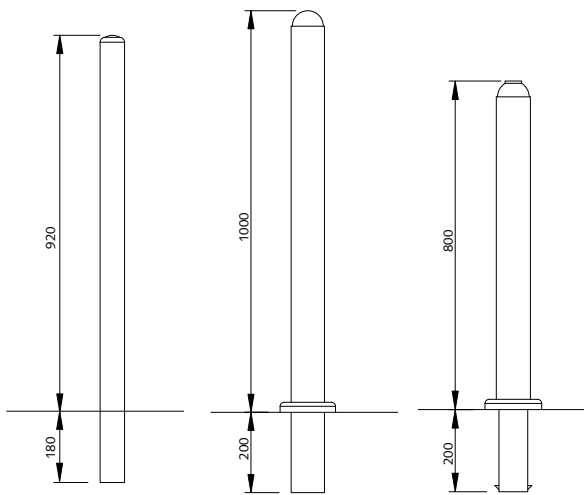
### 2 SENTINEL 2 BOLLARD, FIXED

The attractive circular 83mm diameter posts have already been used in many towns and villages because of the simple but robust design and excellent in-ground element. Standard length above ground is 800 mm. The anchor piece is 430 mm long. This post comes hot-dip galvanised as standard, but is -of course- also available coated in a standard RAL colour for an additional charge.

### 3 SENTINEL BOLLARD, REMOVABLE

The attractive, circular posts with a diameter of 83 mm are very popular with County Councils and Businesses. Combined with the fixed version (see above) this series of posts offers an excellent solution to your access control problems. The removable post is unlocked with the special triangular key (art. no. 03.190.000). Order base socket art.no. 03.291.043 separately. The additional option of powder-coating in a standard RAL colour means you have a practical and eye-pleasing solution to your access control problem within reach.

**Part code 03.140.010**      **Part code 03.220.020**      **Part code 03.222.020**



1 SENTINEL 1 BOLLARD, FIXED	
Part code	Description
03.140.010	Sentinel 1 fixed bollard, totale length 1100mm
03.140.210	Sentinel 1 fixed bollard, totale length 1100mm, in white 2K coating with 2 reflecting red bands
2 SENTINEL 2 BOLLARD, FIXED	
Part code	Description
03.220.020	Sentinel 2 fixed post, total length 1200mm
03.220.700	additional charge for powdercoating post in RAL colour
3 SENTINEL BOLLARD, REMOVABLE	
Part code	Description
03.222.020	Sentinel removable bollard with triangular locking system, total length 1030mm
03.222.640	additional charge for powdercoating in white, with 2 red reflecting bands
03.222.700	additional charge powdercoating post in RAL colour
03.190.000	special triangular key
03.291.041	separate round base sleeve, length 410mm
03.292.000	additional charge for fixation of combined white and red reflecting band onto post





1	DEVIATORE
Part code	Description
39.800.x00*	Deviatore bollard, engraved
2	MIGNON
Part code	Description
39.806.x00*	Mignon bollard, diameter 400mm, height 400mm, engraved
39.806.x08*	Mignon bollard, diameter 400mm, height 400mm, sandblasted
39.806.x09*	Mignon bollard, diameter 400mm, height 400mm, smooth
39.807.x00*	Mignon bollard, diameter 500mm, height 500mm, engraved
39.807.x08*	Mignon bollard, diameter 500mm, height 500mm, sandblasted
39.807.x09*	Mignon bollard, diameter 500mm, height 500mm, smooth

There is a choice of 5 colours which are recognized by the 6th. figure of the Part code:

xx.xxx.0xx = pink	xx.xxx.1xx = grey
xx.xxx.2xx = green	xx.xxx.3xx = salt and pepper
xx.xxx.5xx = yellow	

## CONCRETE BOLLARDS

Falco delivers five different models of concrete bollards. Every model has its own specific design, but with the same purpose, to protect pedestrian precincts or to determine public or private areas. The bollards are available with different surface treatments. All models are equipped with eye-bolts for easy transportation which can be removed after placing

### 1 DEVIATORE

Elegance in the protection or demarcation of pedestrian precincts and of public or private areas.

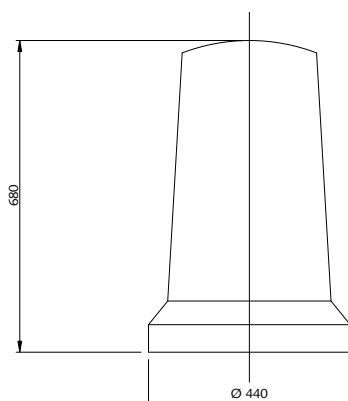
Balanced design with refinement. Smooth base diameter 440 mm and total height 680 mm, weight 45 kg.

### 2 MIGNON

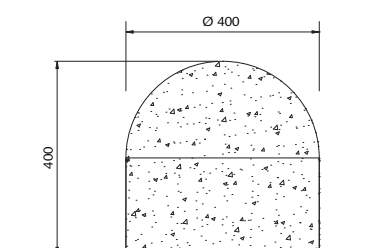
The domed top Mignon is conspicuous and may be used as a parking barrier or in pedestrian areas.

Available in two versions: height 400 mm, Ø 400 mm, weight 90 kg and height 500 mm, Ø 500 mm, weight 190 kg.

Deviatore, Part code 39.800.x00



Mignon, Part code 39.806.x00





## 1 PUFFO

Both a bollard and somewhere to sit (the top is smooth) the cylindrical bollard has a leading edge chamfered at 45 °. With galvanised eye-bolts for movement or linking chain.

Available in two versions: height 500 mm, Ø 400 mm, weight 115 kg or height 500 mm, Ø 500 mm, weight 136 kg.

## 2 PARMA

The Parma is available in smooth or sandblasted finish and is cylindrical of shape with a domed top. The lower part has a 50 mm anchor with diameter of 350 mm. At the base an opening is incorporated for an anchor to facilitate permanent fixing.

On request the Parma is also available without the 50 mm anchor so that it can be movable (weight 160 kg).

The standard Parma has a total height of 700 mm inclusive of the 50 mm anchor, a diameter of 400 mm and a weight of 165 kg.

## 3 CYCLOPSIS

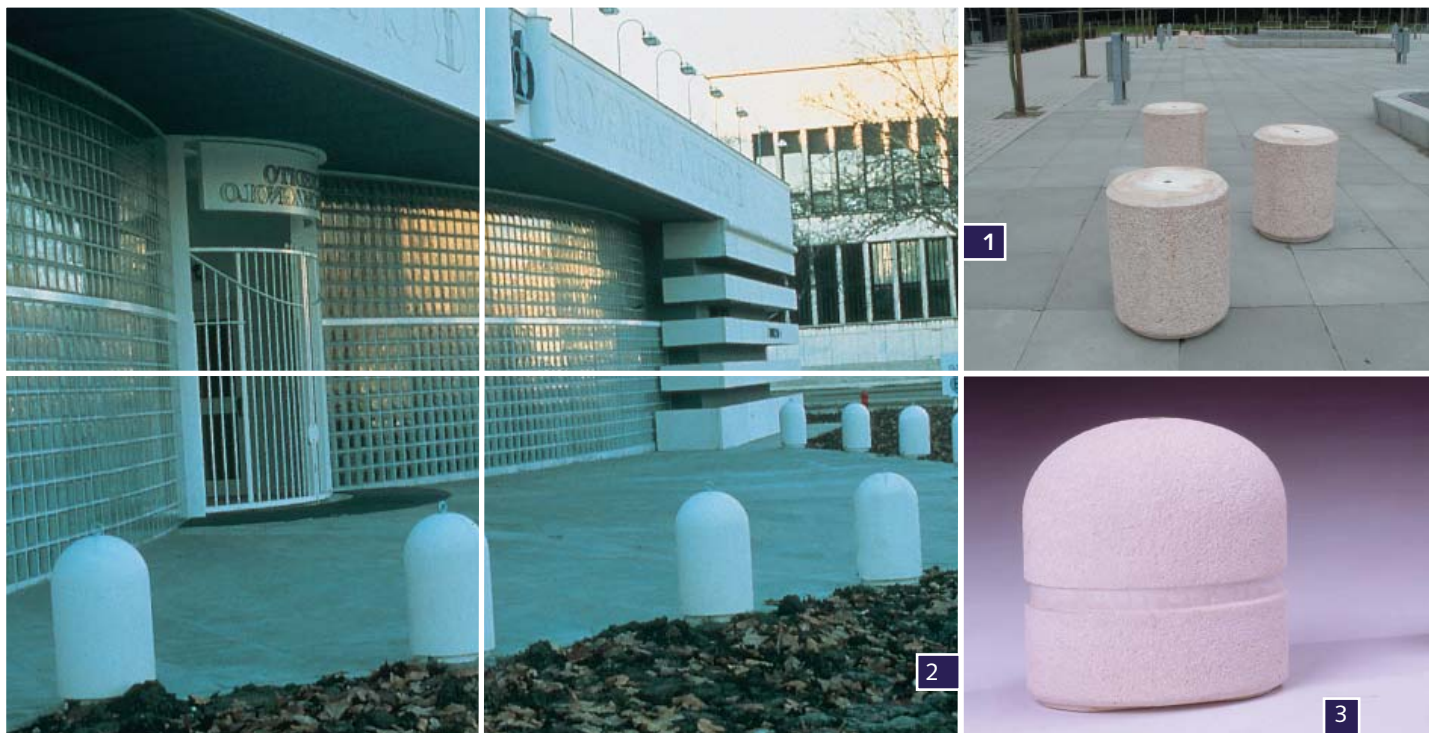
The bollard for pedestrian precinct. Its elliptical shape and composition offer a very agreeable and function alternative to other commonplace solutions.

It has a rectangular base 300x220x30 mm and has eye-bolts for movement. Installation is achieved by the use of a threaded base fixed at an insert at the base of the bollard at 200 mm.

1 PUFFO	
Part code	Description
39.801.x*08	Puffo bollard, diameter 400 mm, height 500 mm, weight 115 kg, sandblasted
39.802.x*08	Puffo bollard, diameter 500 mm, height 500 mm, weight 136 kg, sandblasted
2 PARMA	
Part code	Description
39.805.x*00	Parma bollard, diameter 400 mm, height 700mm, bush hammered
39.805.x*08	Parma bollard, diameter 400 mm, height 700 mm, sandblasted
39.805.x*09	Parma bollard, diameter 400 mm, height 700 mm, smooth
3 CYCLOPSIS	
Part code	Description
39.740.x*00	Cyclopis bollard, elliptical shape, 530x500x320 mm (hxwxd)
39.741.x*00	Cyclopis bollard, round shape, 530x500x500 mm (hxwxd)
<b>There is a choice of 5 colours which are recognized by the 6th. figure of the Part code:</b>	
xx.xxx.0xx = pink	xx.xxx.1xx = grey
xx.xxx.2xx = green	xx.xxx.3xx = salt and pepper
xx.xxx.5xx = yellow	



WWW.FALCO.CO.UK





1



2



1 MONET PLANTER	
Part code	Description
32.760.800*	Monet Aluminium planter Height 935 mm
32.760.820*	Monet Cast Iron planter Height 935 mm
32.761.800*	Monet Aluminium planter Height 2300 mm
32.761.820*	Monet Cast iron planter Height 2300 mm
32.762.800*	Monet Aluminium planter Height 550 mm
32.762.820*	Monet Cast iron planter Height 550 mm
2 CIMA PLANTER	
Part code	Description
32.773.800*	Cima Round planter 406 mm
32.774.800*	Cima Round planter 609 mm
32.775.800*	Cima Round planter 960 mm
32.776.800*	Cima Rectangular planter 1000 x 400 mm
You can choose from 11 standard colours:	
RAL 1007, daffodil yellow	RAL 3000, fire red
RAL 3005, wine red	RAL 4004, violet bordeaux
RAL 5013, cobalt blue	RAL 6009, pine green
RAL 6005, moss green	RAL 6029, mint green
RAL 7016, anthracite grey	RAL 9005, deep black
RAL 9007, grey aluminium	
3 DARA PLANTER	
Part code	Description
32.780.800	Dara planter powder coated in RAL 8019

**1 MONET**  
 Part of a coordinated collection the main characteristics of the products are the delicate and essential figures. The floral relief and perforated texture give the surfaces a vibrant sensation, where the formal and functional aspects fit together. The Monet planters are part of a collection that has impressionist echoes and gives elegance and personality to urban spaces. They are formed from cast iron or aluminium and are available in three different heights and three designs.

**CO-ORDINATED PRODUCTS**  
 Benches page no. 40.  
 Litter bins page no. 86.  
 Bollards page no. 116.

**2 CIMA**  
 All elements of the Cima range use concave steel profiles. As a result of the clean imagery and form's the 'design line' is neutral enabling the products to blend perfectly in both historical and contemporary contexts. The Cima planters are available in a rectangular and round implementation.

**CO-ORDINATED PRODUCTS**  
 Benches page no. 22.  
 Litter bins page no. 86.  
 Bollards page no. 117.

**3 DARA**  
 The Dara is an exceptional planter, the upper part is based on a square which moves downwards into a circle it rests on the four small feet. All four sides are perforated at regular intervals with a 9 squares pattern. Height: 500 mm, length and width 745 mm, Ø 745 mm. Standard powder coating in RAL 8019 greybrown.





## 1 IONA PLANTER



A stunningly beautiful planter for an impressive statement.

Circular planter in low maintenance Cor-ten steel available as a concave (drawing) or convex (photo) shaped versions.

The hole in the top is in the shape of a figure eight.

## 2 CARINA PLANTER



Stainless steel triangular sectioned planter with arched sides made up of three 100 x100mm support pillars and rounded and conical telescoping.

The upper frame is finished in Mogano wood.

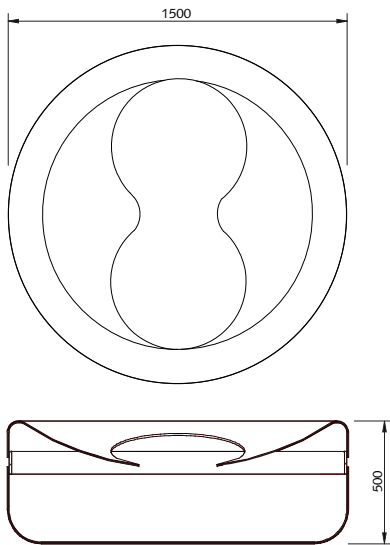
## 3 ECO PLANTER



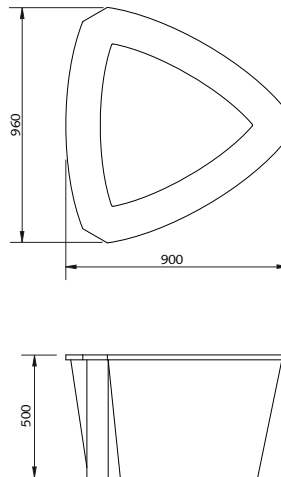
Stainless steel planter with truncated cone clover design, upper frame finished with Mogano wood.

1 IONA	
Part code	Description
32.710.000	Iona planter concave, in corten steel Ø1500mm x 550mm high
32.711.000	Iona planter convex, in corten steel Ø1500mm x 800mm high
2 CARINA	
Part code	Description
05.913.000	Carina planter, upper part in Mogano wood, height 500mm
3 ECO	
Part code	Description
05.912.000	Eco planter, upper part in Mogano wood, height 450mm

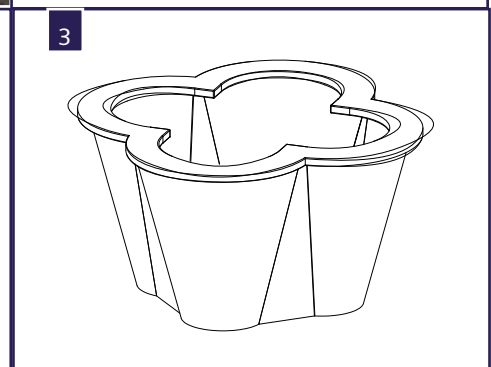
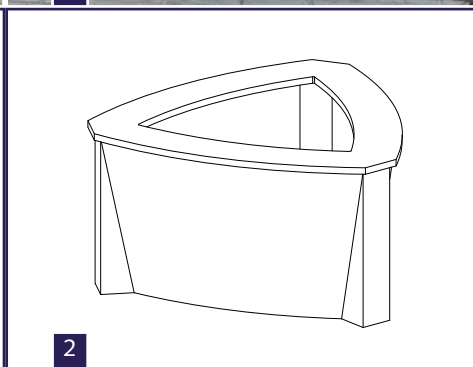
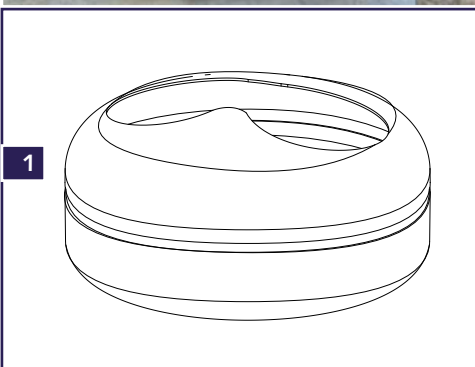
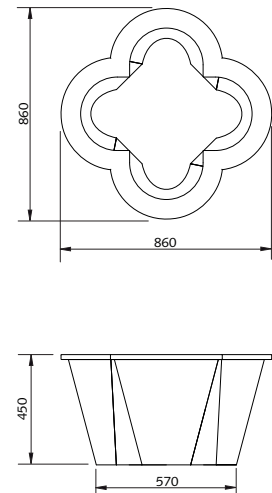
**Iona**  
Part code 32.710.000



**Carina**  
Part code 05.913.000



**Eco**  
Part code 05.912.000





1 BOOMBAK	
Part code	Description
32.200.000	Boombak planter, round 950mm, height 550mm
32.210.000	Boombak planter, round 1150mm, height 670mm
32.220.000	Boombak planter, round 1310mm, height 800mm
32.230.000	Boombak planter, round 1750mm, height 800mm
32.222.000	round bench for mounting onto planter 32.220.000
32.232.000	round bench for mounting onto planter 32.230.000
2 PLANTER COLOGNE	
Part code	Description
32.720.004	Cologne planter, dimension 1000x1000mm, height 405mm
32.721.004	Cologne planter, dimension 1000x1000mm, height 495mm
	Cologne planter, dimension 800x800mm, height 405mm
32.726.004	Cologne planter, dimension 800x800mm, height 495mm
32.730.004	Cologne planter, dimension 500x1000mm, height 405mm
32.731.004	Cologne planter, dimension 500x1000mm, height 495mm
32.735.004	Cologne planter, hexagonal, diameter 800mm, height 405mm
32.736.004	Cologne planter, hexagonal, diameter 800mm, height 495mm
32.740.004	Cologne planter, hexagonal, diameter 1000mm, height 405mm
32.741.004	Cologne planter, hexagonal, diameter 1000mm, height 495mm
32.746.004	Cologne planter, hexagonal, diameter 1200mm, height 495mm
32.747.004	Cologne planter, hexagonal, diameter 1200mm, height 585mm

## 1 BOOMBAK

The Boombak is an ideal solution to planting in pedestrian areas, streets, squares, or even on flat roofs.

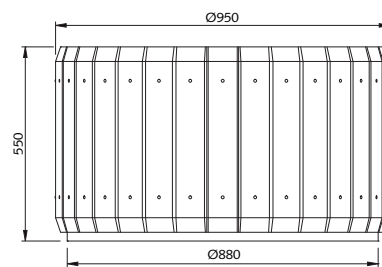
The outside of the planter is enhanced with hardwood slating and can be which is attached to a galvanized steel liner/frame.

To enhance it's usability seating can be added around the planter. There are four sizes available in the range.

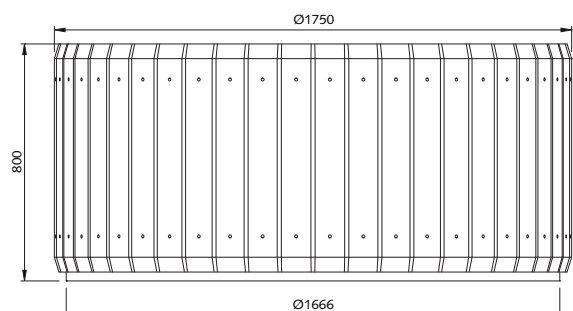
## 2 COLOGNE PLANTER

The Cologne planter is available in rectangular, square or hexagonal shapes and is constructed from beams of timber for ruggedness and durability.

### Boombak, Part code 32.200.000



### Boombak, Part code 32.230.000





## FALCOBLOC PLANTERS

This range of planters is available in three different versions. The standard size for all is 1000 x 1000 mm with a height of 600 mm. They fit perfectly with the FalcoBloc seating (pages 34 and 35).

All versions are constructed with a galvanised box steel framework and are equipped with a galvanized steel plate liner. Other sizes are available upon request.

### 1 FALCOBLOC WOODEN PLANTER

This implementation has been carried out with wooden slats, they parts are 95 mm wide and 19 mm thick. The slats are all perfectly combined with either the galvanized steel framework or as an option galvanized and powder coated.

### 2 FALCOBLOC STEEL PLANTER

As the name suggests it is identical in design to the wooden planter, the only exception being the four wooden side walls are replaced with perforated sheet steel for a raw industrial look.

These panels can be left galvanized only or blended in with the Local Authority colours by powder coating in 1 of our 192 standard RAL colours.

Perforations are 8mm square.

### 3 FALCOBLOC STAINLESS STEEL PLANTER

All details are as above in the steel planter except that the 4 side walls are in 316 grade stainless steel.

## CO-ORDINATED PRODUCTS

Benches page no. 34 and 35.

### 1 FALCOBLOC WITH WOOD

Part code	Description
32.708.016	FalcoBloc planter with hardwood
32.708.700	additional framework powder coating In RAL

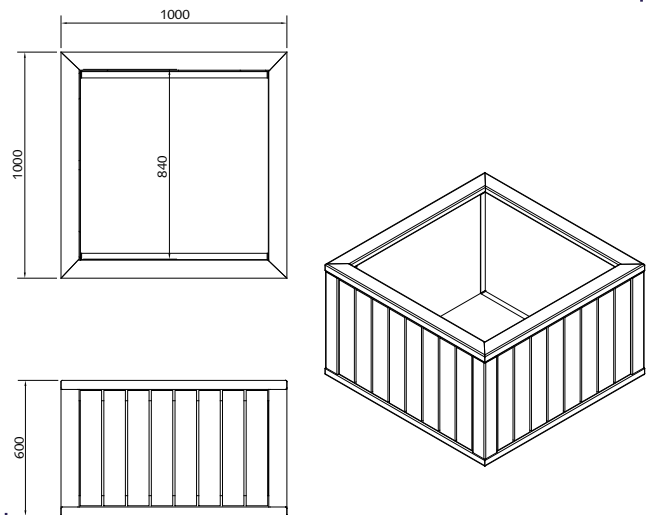
### 2 FALCOBLOC WITH STEEL

Part code	Description
32.707.016	FalcoBloc planter with galvanized frame and powder coated perforated steel side walls in RAL
32.707.700	additional framework powder coating in RAL

### 3 FALCOBLOC WITH STAINLESS STEEL

Part code	Description
32.705.016	FalcoBloc planter with stainless steel side walls
32.705.700	additional framework powder coating in RAL

Part code 32.708.016







**1 | DIAMANTE**

Part code	Description
39.350.x00*	Diamante planter, total length 1560mm, capacity 235 litre

**2 | SMERALDO**

Part code	Description
39.320.x00*	Smeraldo Cilinder planter, diameter 500mm, height 480mm, capacity 48 litre, weight 61 kilo
39.321.x00*	Smeraldo Cilinder planter, diameter 600mm, height 560mm, contents 94 liters
39.322.x00*	Smeraldo Cilinder planter, diameter 600mm, height 830mm, capacity 136 litre
39.323.x00*	Smeraldo Cilinder planter, diameter 800mm, height 400mm, capacity 115 litre
39.324.x00*	Smeraldo Cilinder planter, diameter 800mm, height 650mm, capacity 210 litre
39.325.x00*	Smeraldo Cilinder planter, diameter 900mm, height 800mm, capacity 352 litre
39.326.x00*	Smeraldo Cilinder planter, diameter 1000mm, height 400mm, capacity 191 litre
39.327.x00*	Smeraldo Cilinder planter, diameter 1100mm, height 410mm, capacity 211 litre

**3 | LUNAROSA**

Part code	Description
39.355.x00*	Lunarosa planter, height 500mm, capacity 210 litre
39.356.x00*	Lunarosa planter, height 600mm, capacity 335 litre

There is a choice of 5 colours which are recognized by the 6th. figure of the Part code:

xx.xxx.0xx = pink	xx.xxx.1xx = grey
xx.xxx.2xx = green	xx.xxx.3xx = salt and pepper
xx.xxx.5xx = yellow	

**1 | DIAMANTE**

Hexagonal modules for interlocking layouts and with bases for different heights.

The inside is circular, diameter 920 mm and is water resistant with eye bolts included for movement. It is available with a plinth of 200 mm to change the hexagonal height.

**2 | SMERALDO**

Available in a range of dimensions and distinguished by round and essential lines, the Smeraldo offers a wide choice for the urban environment.

The inside is water resistant and is complete with eyebolts for movement.

**3 | LUNAROSA**

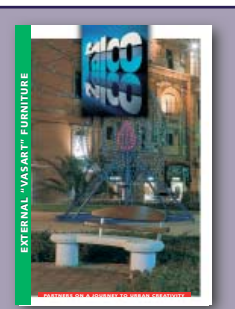
The Lunarosa planter looks to be made up of three chambers, the outside surface has a rough finish with a smooth decorative recess of 65mm.

The planter is available in two different sizes. The smaller version 500mm high, 600mm wide and 1000mm long, the larger version is 600mm high, 800mm wide, long and 1350mm long.

Also, look at the accompanying bench on page 74.

**N.B.**

We have produced an expanded brochure showing all of the "Vasart" range of products, with some great ideas for parks and gardens - all for a copy!





## 1 QUARZO

Characterised by features in smooth bas-relief with smooth edges and rounded end walls.

Quarzo planter, thanks to its different sizes and its thickness, is suitable for furnishing by forming demarcations, or defining pedestrian or special areas.

It is excellent as a plant container, thanks to its' wall thickness, which protect roots from the outside climate.

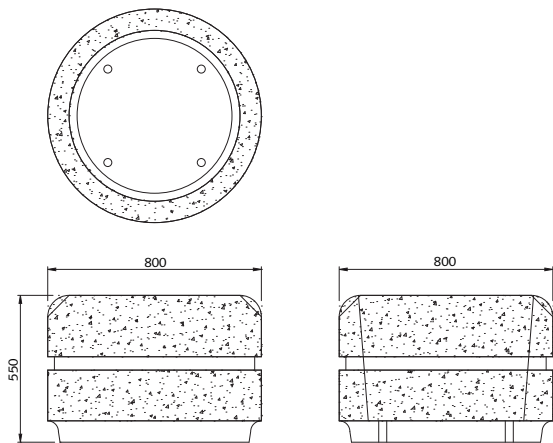
With a bridging bench every Quarzo planter can be combined with a seating area.

## 2 TOPAZIO

A traditionally dimensioned planter design for public and private spaces. The inside is water resistant and eye bolts are included for movement.

There are a wide number of sizes to suit each environment.

### Quarzo, Part code 39.318.x00



1 QUARZO	
Part code	Description
39.310.x00*	Quarzo planter, length 1500mm, width 600mm, height 550mm, capacity 265 litre, weight 460 kilo
39.311.x00*	Quarzo planter, length 1200mm, width 600mm, height 550mm, capacity 206 litre, weight 397 kilo
39.312.x00*	Quarzo planter, length 800mm, width 600mm, height 550mm, capacity 127 litre, weight 283 kilo
39.317.x00*	Quarzo Cilinder planter, diameter 1100mm, height 550mm, capacity 312 litre, weight 394 kilo
39.318.x00*	Quarzo Cilinder planter, diameter 800mm, height 550mm, capacity 141 litre, weight 290 kilo
39.380.x00*	Central planter Quarzo, dimension 1200x1200x 870mm, capacity 859 litre, weight 840 kilo

2 TOPAZIO	
Part code	Description
39.330.x00*	Topazio planter, length 400mm, width 400mm, height 450mm, capacity 32 litre, weight 68 kilo
39.331.x00*	Topazio planter, length 600mm, width 400mm, height 450mm, capacity 52 litre, weight 90 kilo
39.332.x00*	Topazio planter, length 80 cm, width 400mm, height 450mm, capacity 73 litre, weight 104 kilo
39.334.x00*	Topazio planter, length 120 cm, width 400mm, height 450mm, capacity 115 litre, weight 157 kilo

There is a choice of 5 colours which are recognized by the 6th. figure of the Part code:

xx.xxx.0xx = pink

xx.xxx.1xx = grey

xx.xxx.2xx = green

xx.xxx.3xx = salt and pepper

xx.xxx.5xx = yellow



1

2



1 GUARDIAN	
Part code	Description
32.010.000	Guardian, diameter 350/800mm
32.010.100	Guardian, diameter 350/800mm with fixing staves/bolts
32.010.700	additional charge for powder coating in RAL
32.020.000	Guardian, diameter 350/600mm
32.020.700	additional charge for powder coating in RAL
2 DEFENDER	
Part code	Description
32.050.000	Defender, height 1100mm, diameter 350/800mm
32.050.700	additional charge for powder coating in RAL
32.051.000	Defender, height 1800mm, diameter 350/800mm
32.051.700	additional charge for powder coating in RAL
32.052.000	Defender, height 1200mm, diameter 300/470mm
32.052.700	additional charge for powder coating in RAL
32.053.000	Defender, height 1100mm, diameter 300/470mm
32.053.700	additional charge for powder coating in RAL
3 SICURO	
Part code	Description
32.498.800*	Sicuro tree protector, height 1300mm, powdercoated in RAL colour
32.499.800*	Sicuro tree protector, height 1800mm, powdercoated in RAL colour

**You can choose from 11 standard colours:**

RAL 1007, daffodil yellow	RAL 3000, fire red
RAL 3005, wine red	RAL 4004, violet bordeaux
RAL 5013, cobalt blue	RAL 6009, pine green
RAL 6005, moss green	RAL 6029, mint green
RAL 7016, anthracite grey	RAL 9005, deep black
RAL 9007, grey aluminium	

### 1 GUARDIAN

These sturdy tree protectors are available galvanized and can be powder coated on request in a range of standard RAL colours. It is composed of 2 half's and bolted together with stainless steel bolts.

Height: 1800mm. Suitable for mounting onto tree grilles

### 2 DEFENDER

Ideal protection for climbing plants or trees, the Defender is a perfect solution for plants that are being established against walls. It can be supplied galvanized only or galvanized and powder coated in a range of standard RAL colours.

Three heights are available 1100mm, 1200mm and 1800mm.

### 3 SICURO

Vertical tree guard made of two steel piping curved elements with diameter 20 mm, and upper extremities blocked by a black and flat ABS cap, shaped in a semicircular way with the extremities set for assembly with screws and self-locking nut in stainless steel.

Fastening to the ground is possible thanks to welded and punched steel plates anchored to the ground by means of M8 electro galvanized dowels or log bolts.

Overall dimensions low Sicuro: 535 x 1,300 mm.

Overall dimensions high Sicuro: 535 x 1,800 mm.



### 1 DIANA TREE GRILLE

Plants protecting grid with a central hole of 300 mm in diameter, made of 2 rectangles of electro forged grid, available with 20x2mm, 25x2 mm or 30x2 mm mesh.

The border of the grid has a plate 20x2 mm thick and a rod measuring 5 mm in diameter.

The two grids lean on an angular perimeter steel section framework acting as support.

### 2 ROUND TREE GRILLE

Circular traditional tree grille made from 30mm thick cast iron in four parts with radial design.

Comes with galvanised inlay frame and irrigation cap.

The Round can be either bitumen dipping varnished or powder coated on request.

Outer diameter 1270mm. Inner diameter 600mm.

### 3 TRADITION TREE GRILLE

Square traditional tree grille made from 30mm thick cast iron in four parts with round or radial design. On photo 3 you see radial.

On the drawing beside you see the round design.

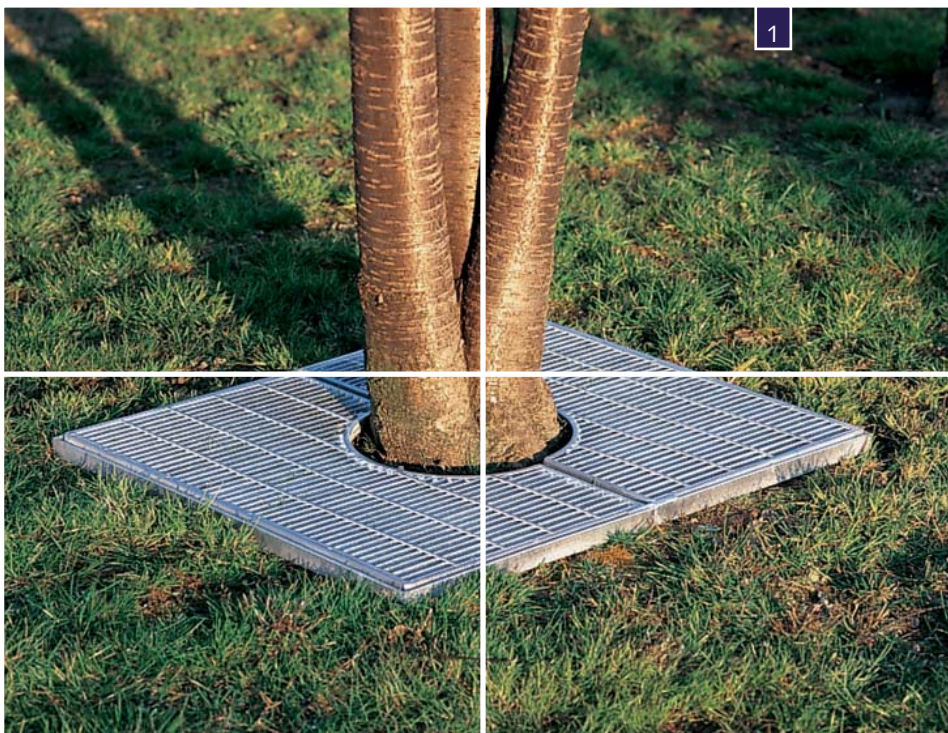
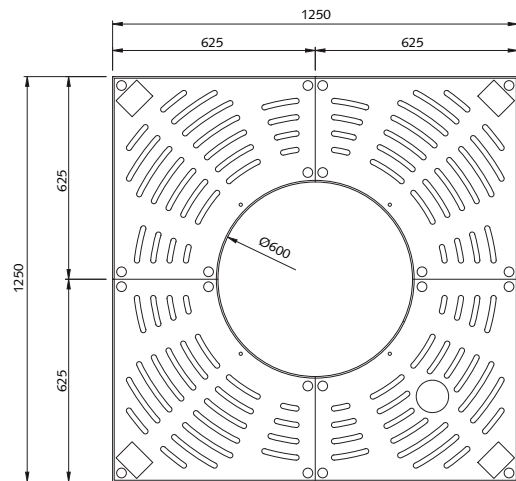
Comes with galvanised inlay frame and irrigation cap.

The Round can be either bitumen dipping varnished or powder coated on request.

Dim. 1270 x 1270mm. Inner diameter 600mm.

1 DIANA	
Part code	Description
32.263.000	Diana tree grille, 800 x 700mm
32.263.100	steel frame 800 x 700mm
32.264.000	Diana tree grille, 1100 x 1100mm
32.264.100	steel frame 1100 x 1100 mm
32.265.000	Diana tree grille, 1500 x 1500mm
32.265.100	steel frame 1500 x 1500mm
2 ROUND	
Part code	Description
32.252.000	Round tree grille
3 TRADITION	
Part code	Description
32.250.000	Tradition tree grille Radial, with iron frame
32.250.100	Tradition tree grille Round, with iron frame

Tradition, Part code 32.250.100



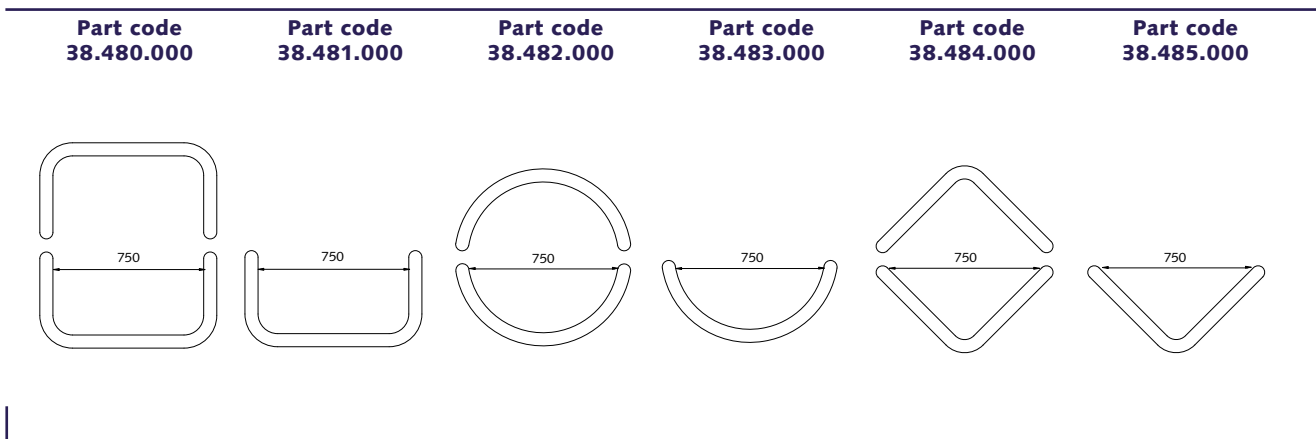




1 FALCORUBO	
Part code	Description
38.480.000	FalcoRUBO protector, square, 2-part
38.481.000	FalcoRUBO protector, U-model, 1-part
38.482.000	FalcoRUBO protector, circular, 2-part
38.483.000	FalcoRUBO protector, semi-circular, 1-part
38.484.000	FalcoRUBO protector, rhomboid, 2-part
38.485.000	FalcoRUBO protector, V-model, 1-part
38.48x.700	additional charge for powdercoating in RAL colour
38.488.000	anchor set of bended steel plate 400 mm long, height 152 mm, width 82 mm with mounting holes and stainless steel bolts, per set
2 FALCORUBO GUIDE RAIL	
Part code	Description
38.490.000	FalcoRUBO guide rail, length 750mm
38.491.000	FalcoRUBO guide rail, length 900mm
38.492.000	FalcoRUBO guide rail, length 1200mm
38.493.000	FalcoRUBO guide rail, length 1500mm
38.494.000	FalcoRUBO guide rail, length 1800mm
38.494.700	additional charge for powdercoating in RAL colour

**1 FALCORUBO PROTECTOR**  
 These are formed from 60mm galvanized steel tubing. They are supplied as standard to be concreted in below ground, alternatively a 2 part anchor set can be supplied to enable the units to be fitted into flower beds or similar soil types.  
 Height above ground 430mm.  
 Available in a 3-different models.

**2 FALCORUBO GUIDE RAIL**  
 The FalcoRUBO guide rails are a handy solution for the protection of lawns and gardens, and the demarcation of parking spaces. They are formed from 60x2 mm galvanized tubing if required they can be powder coated in 1 of 192 standard RAL colours.  
 The height above ground 430mm.





## 1 FALCOARMOR

The FalcoArmor is a straightforward tree protector composed of two galvanized flat steel rings of 50x6 mm, they are connected to 3 x 42 mm galvanized steel tubes by stainless steel bolts. These uprights are 1200mm high and are buried into soil surrounding trees or plants, or can be concreted in for other applications.

All galvanized steel parts can be powder coated in a range of 192 standard RAL colours.

## 2 FALCOARC

The FalcoArc is derived by bending 60mm galvanized steel tubing into a triangular profile, it is an ideal protection system for walls, plants or buildings against parking cars.

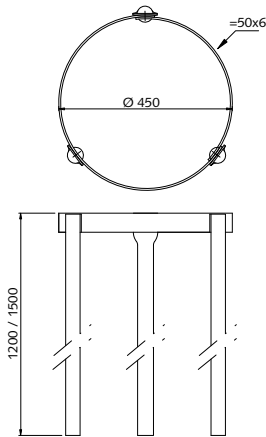
Overall height is 1300mm, concreted into the ground.

All galvanized steel parts can be powder coated in a range of 192 standard RAL colours.

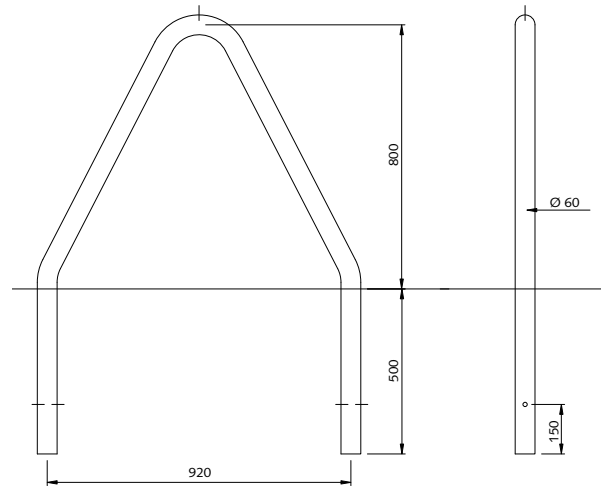
1 FALCOARMOR	
Part code	Description
31.210.000	FalcoArmor tripod tree protector diameter 450mm, total height 1200mm
31.210.700	additional charge for powdercoating in RAL colour
2 FALCOARC	
Part code	Description
31.205.000	FalcoArc barrier of tubing 60mm, total height 1300mm, width at the base 920mm
31.205.700	additional charge for powdercoating in RAL colour



FalcoArmor, Part code 31.210.000



FalcoArc, Part code 31.205.000

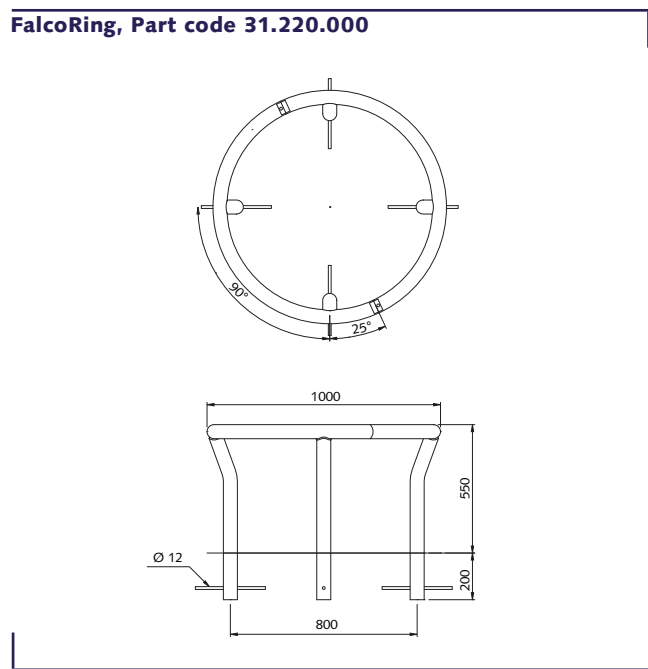
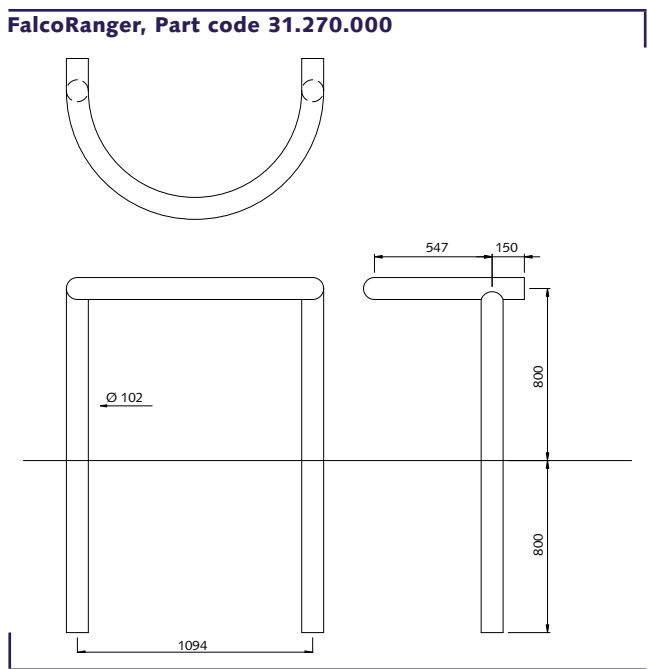




1 FALCORANGER	
Part code	Description
31.270.000	FalcoRanger semi-circular heavy duty barrier, width 1100mm c.t.c. height 1650mm
31.270.700	additional charge for powdercoating in RAL colour
2 FALCORING	
Part code	Description
31.220.000	FalcoRing barrier diameter 1000mm, including 4 anchorsticks
31.220.700	additional charge for powdercoating in RAL colour

**1 FALCORANGER**  
 The FalcoRanger semi-circle protector is formed from heavy duty 102mm galvanized steel tubing. It has a radius of 550mm with an overall height of 1650mm of which 800mm is buried below ground or concreted in. It is an ideal protector for trees or columns against cars, vans and trucks.  
 All galvanized steel parts can be powder coated from a range of 192 standard RAL colours.

**2 FALCORING**  
 The FalcoRing comes in two parts and is constructed from 60mm galvanized steel tubing with a diameter of 1000mm it has 4 uprights whose overall height is 750mm of which 200mm is buried below ground or concreted in.  
 All galvanized steel parts can be powder coated from a range of 192 standard RAL colours.





## 1 FALCOPILOT

The FalcoPilot is a functional and yet extremely effective guide rail, manufactured from 42mm galvanised steel tubing that can be on request powder coated in a range of 192 standard colour ranges.

Uses for the FalcoPilot are many and varied, it is available either with extended tubes for below ground installation or with welded base plates, a removable version is also available.

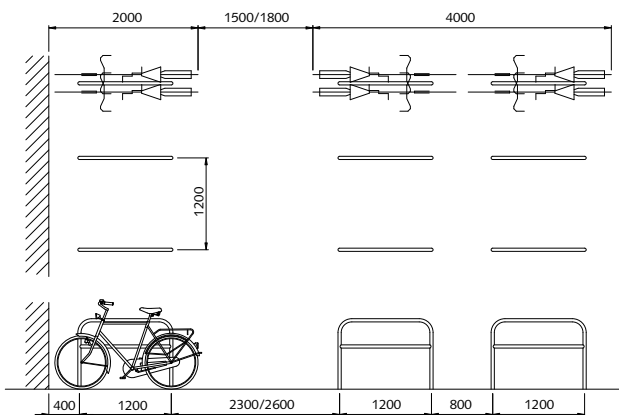
## 2 FALCOPILOT CONTINUOUS

For all types of demarcation and trolley bays etc.

Made from 48mm galvanised steel tubing that can be powder coated on request in range of 192 standard RAL colours.

The system has start and end uprights, and intermediate, corner and T-uprights, which provide optimum flexibility.

### FalcoPilot



## 1 FALCOPILOT

Part code	Description
02.100.000	FalcoPilot guide rail with intermediary tube, width 1200mm, total height 1100mm
02.101.000	FalcoPilot guide rail with intermediary tube, width 1500mm, total height 1100mm
02.102.000	FalcoPilot guide rail with intermediary tube, width 1800mm, total height 1100mm
02.103.000	FalcoPilot guide rail with intermediary tube, width 2100mm, total height 1100mm
02.104.000	FalcoPilot guide rail with intermediary tube, width 2400mm, total height 1100mm
02.105.000	FalcoPilot guide rail with intermediary tube, width 2700mm, total height 1100mm
02.106.000	FalcoPilot guide rail with intermediary tube, width 3000mm, total height 1100mm
02.10x.700	additional charge for powdercoating in RAL colour

## 2 FALCOPILOT CONTINUOUS

### 2 loose straight tubing elements,

### between uprights

Part code	Description
02.146.001	FalcoPilot with two vertical struts, length 1100mm
02.146.002	FalcoPilot with two vertical struts, length 1400mm
02.146.003	FalcoPilot with two vertical struts, length 1700mm
02.146.004	FalcoPilot with two vertical struts, length 2000mm
02.146.005	FalcoPilot with two vertical struts, length 2300mm
02.146.006	FalcoPilot with two vertical struts, length 2600mm
02.146.007	FalcoPilot with two vertical struts, length 2900mm
02.146.70x	additional charge for powdercoating in RAL colour





BOWLER GUIDE BARRIER	
Part code	Description
02.970.000	start/end upright for straight tubing elements
02.970.020	intermediate upright for straight tubing elements
02.970.040	T-upright for straight tubing elements for 3 expansions
02.970.060	corner upright for straight tubing elements
02.970.700	additional charge for powdercoating upright in RAL colour
2 loose straight tubing elements, between uprights	
Part code	Description
02.146.001	with two vertical struts, length 1100 mm
02.146.002	with two vertical struts, length 1400 mm
02.146.003	with two vertical struts, length 1700 mm
02.146.004	with two vertical struts, length 2000 mm
02.146.005	with two vertical struts, length 2300 mm
02.146.006	with two vertical struts, length 2600 mm
02.146.007	with two vertical struts, length 2900 mm
02.146.70x	additional charge for powdercoating in RAL colour

### BOWLER GUIDE BARRIER WITH STRAIGHT ELEMENTS

Part of the Bowler coordinated range other products available seating, litter bins and bollards.

Connecting guide barriers with straight cross-bars. On these connecting guide barriers the uprights are linked by two straight tubes. The centre to centre distance of the posts depends on the intermediary piece. The posts stand 1020 mm above ground level, with a 380 mm anchor part or 100x200 mm base plate.

One end of the 47.5 mm diameter cross bar is welded to the post and sticks out for 200 mm from the heart of the post. An aluminum coupling piece takes care of the fixation for the tubing elements.

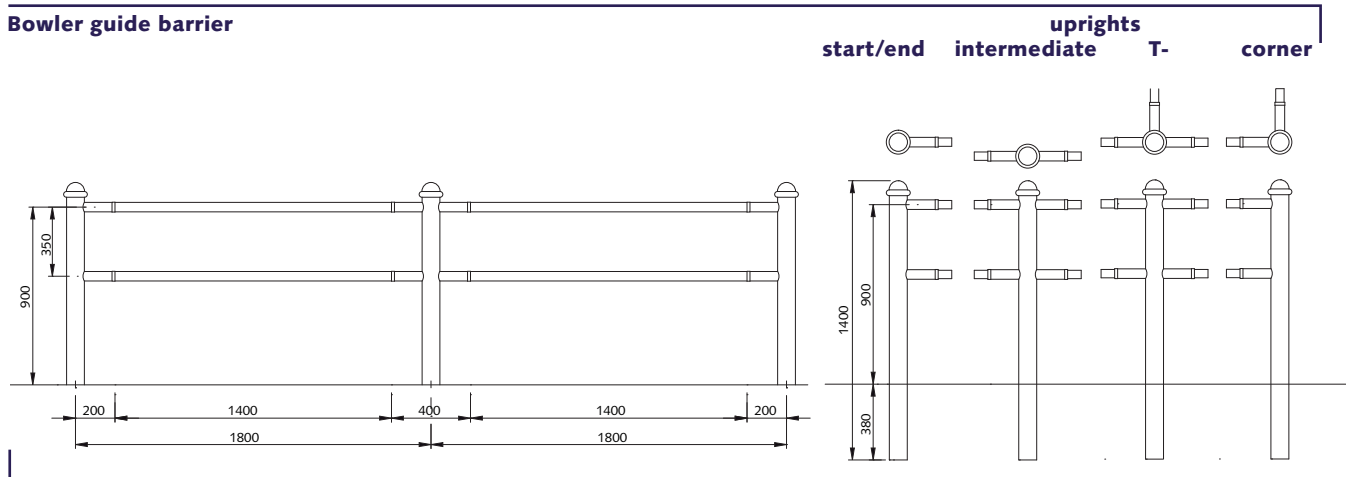
### CO-ORDINATED PRODUCTS

Bollards page no. 112 and 113.

Litter bin page no. 100.

Cycle parking system no. 188.

### Bowler guide barrier





## 1 BOWLER CROSS GUIDE RAIL

Part of the Bowler coordinated range other products available seating, litter bins and bollards.

The St. Andrew's cross of tubes 30x20x2 mm is welded between a lower and upper tube of 40x40x2 mm.

The side posts have a 200 mm anchor part or a 180x180x10 mm base plate.

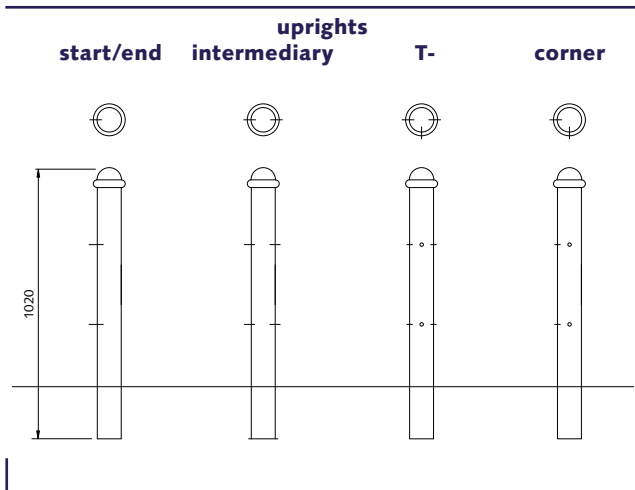
The low picture in blue shows a special with intermediate posts!

## 2 BOWLER CURVED GUIDE RAIL

On these connecting guide barriers, the uprights are connected with curved tubing with a diameter of 60x2 mm, bevelled at the bottom.

The height of the post above ground level is 820 mm. Shown on the picture with base plates, with anchor piece in the description.

You can have an anchor piece of 200 or 400 mm, or a base plate of 200x6 mm. Between the post and the curved tubing there are two aluminium couplings.



1 BOWLER CROSS GUIDE RAIL	
Part code	Description
02.925.007	barrier fence with St. Andrew's cross, posts c.t.c. 1200 mm
02.925.700	additional charge for powdercoating in RAL colour
02.926.000	barrier fence with St. Andrew's cross, posts c.t.c. 1500 mm
02.926.700	additional charge for powdercoating in RAL colour
2 BOWLER CURVED GUIDE RAIL	
Part code	Description
02.930.010	start/end post, total length 1050 mm
02.930.700	additional charge for powdercoating in RAL colour
02.931.010	intermediary post, total length 1050 mm
02.931.700	additional charge for powdercoating in RAL colour
02.932.010	T-post, total length 1050 mm
02.932.700	additional charge for powdercoating in RAL colour
02.933.010	corner post, total length 1050 mm
02.933.700	additional charge for powdercoating in RAL colour
02.938.012	curved tubing element to go between posts, length c.t.c. 1200 mm
02.938.712	additional charge for powdercoating in RAL colour
02.938.015	curved tubing element to go between posts, length c.t.c. 1500 mm
02.938.715	additional charge for powdercoating in RAL colour
02.938.018	curved tubing element to go between posts, length c.t.c. 1800 mm
02.938.718	additional charge for powdercoating in RAL colour





### GUIDE RAIL

Part code	Description
02.540.000	guide rail, tubing diameter 47,5 mm, length 900mm, total height 1250mm
02.540.700	additional charge for powdercoating in RAL colour
02.541.000	guide rail, tubing diameter 47,5 mm, length 1200mm, total height 1250mm
02.541.700	additional charge for powdercoating in RAL colour
02.542.000	guide rail, tubing diameter 47,5 mm, length 1500mm, total height 1250mm
02.542.700	additional charge for powdercoating in RAL colour
02.543.000	guide rail, tubing diameter 47,5 mm, length 1800mm, total height 1250mm
02.543.700	additional charge for powdercoating in RAL colour
02.560.000	guide rail, tubing diameter 60,3 mm, length 900mm, total height 1250mm
02.560.700	additional charge for powdercoating in RAL colour
02.561.000	guide rail, tubing diameter 60,3 mm, length 1200mm, total height 1250mm
02.561.700	additional charge for powdercoating in RAL colour
02.562.000	guide rail, tubing diameter 60,3 mm, length 1500mm, total height 1250mm
02.562.700	additional charge for powdercoating in RAL colour
02.563.000	guide rail, tubing diameter 60,3 mm, length 1800mm, total height 1250mm
02.563.700	additional charge for powdercoating in RAL colour

### GUIDE RAIL

Guide rails protect pedestrians, cars, cyclists, shop windows, facades, warehouse racks, machines and much more.

Guide rails are always clearly a barrier, add in addition to protection also ensure effective routing of pedestrians, bicycles and cars.

The Falco guide rails are made of top grade ungalvanised tubing. Once all working such as cutting, drilling and bending is completed, the rails are hot-dip galvanised in accordance with EN-ISO 1461.

The rails are available in 3 tubing diameters, namely 47.5 mm, 60.3 mm and 76.1 mm (page 147), and in 7 standard lengths.

All guide rails are now also available with an extra cross-bar.

The tubing diameter is thereby the same as the guide rail on  $\varnothing$  47.5 mm and  $\varnothing$  60.3 mm. On the  $\varnothing$  76.1 mm rails the cross-bar has a diameter of 60 mm.

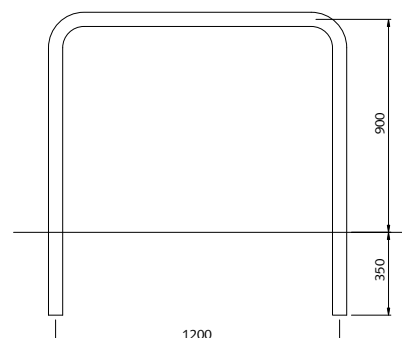
Call our product specialists to find our price and delivery time.

Naturally the guide rails can be powdercoated in a standard RAL colour after hot-dip galvanising for a small additional charge.

Another option with base plates is also available.

**N.B.** Now also available in stainless steel with a diameter of 48.3 mm and 60.3 mm. Please ring for prices.

### Part code 02.561.000





## 1 GUIDE RAIL

These guide rails are offered with a diameter of 76.1 mm in galvanized steel tubing, can be powder coated in any of 192 standard RAL colours.

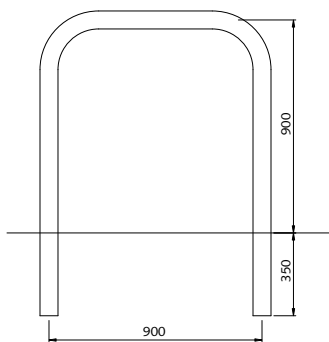
Available in 8 standard lengths as listed.

## 2 BASE SLEEVE

All the guide rails can be offered in a removable form, without any further modifications to the rails and with simple tools.



Part code 02.570.000



## 1 GUIDE RAIL

Part code	Description
02.570.000	guide rail, tubing diameter 76.1 mm, length 900mm, total height 1250mm
02.571.000	guide rail, tubing diameter 76.1 mm, length 1200mm, total height 1250mm
02.572.000	guide rail, tubing diameter 76.1 mm, length 1500mm, total height 1250mm
02.573.000	guide rail, tubing diameter 76.1 mm, length 1800mm, total height 1250mm
02.574.000	guide rail, tubing diameter 76.1 mm, length 2100mm, total height 1250mm
02.575.000	guide rail, tubing diameter 76.1 mm, length 2400mm, total height 1250mm
02.576.000	guide rail, tubing diameter 76.1 mm, length 2700mm, total height 1250mm
02.577.000	guide rail, tubing diameter 76.1 mm, length 3000mm, total height 1250mm
02.57x.700	additional charge for powdercoating in RAL colour

## 2 BASE SLEEVE WITH COMPRESSION FIXING

Part code	Description
02.305.000	length 200 mm, for tubing Ø 41.5 mm
02.315.000	length 200 mm, for tubing Ø 47.5 mm
02.325.000	length 200 mm, for tubing Ø 60.3 mm
02.335.000	length 200 mm, for tubing Ø 76.1 mm
02.306.000	length 500 mm, for tubing Ø 41.5 mm
02.316.000	length 500 mm, for tubing Ø 47.5 mm
02.326.000	length 500 mm, for tubing Ø 60.3 mm
02.336.000	length 500 mm, for tubing Ø 76.1 mm





### ROTATING BARRIERS

Part code	Description
03.361.000	rotating barrier, length 1500mm, with 1 traverse
03.361.700	additional charge for powdercoating in RAL colour
03.361.200	rotating barrier, length 1500mm, with 1 traverse, coated in white with red tapes
03.362.000	rotating barrier, length 2000mm, with 1 traverse
03.362.700	additional charge for powdercoating in RAL colour
03.362.200	rotating barrier, length 2000mm, with 1 traverse, coated in white with red tapes
03.363.000	rotating barrier, length 2500mm, with 1 traverse
03.363.700	additional charge for powdercoating in RAL colour
03.363.200	rotating barrier, length 2500mm, with 1 traverse, coated in white with red tapes
03.371.000	rotating barrier, length 1500mm, with 2 traverses
03.371.700	additional charge for powdercoating in RAL colour
03.371.200	rotating barrier, length 1500mm, with 2 traverses, coated in white with red tapes
03.372.000	rotating barrier, length 2000mm, with 2 traverse
03.372.700	additional charge for powdercoating in RAL colour
03.372.200	rotating barrier, length 2000mm, with 2 traverse, coated in white with red tapes
03.373.000	rotating barrier, length 2500mm, with 2 traverse
03.373.700	additional charge for powdercoating in RAL colour
03.373.200	rotating barrier, length 2500mm, with 2 traverse, coated in white with red tapes
03.190.000	triangular key
03.191.043	separate square base sleeve, length 430mm

### ROTATING BARRIER

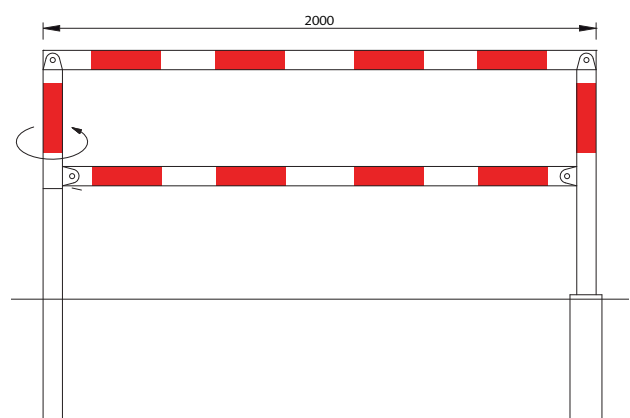
The barriers that can be turned away are available in lengths of 1000, 1500, 2000 and 2500 mm.

The height above ground is 900 mm. The uprights are 70x70 mm and the traverse 60x40 mm. One of the uprights is provided with a quick fastening system and triangular key.

The barriers are hot dip galvanised and can be powder-coated in a RAL colour. White coating with red reflective tape is often wanted because of its visibility.

The base sleeves (450mm long) to receive the uprights can be grouted in. You need an extra base sleeve for a second fixation point when f.e. the barrier is open for a longer period. You can have one or two traverses.

### Part code 03.372.2000





## PROTECTION BARRIER

Ideal in areas where protection of vulnerable and not to mention valuable/costly plant and machinery and buildings walls is vital. The Protection barrier offers extensive defense against all types of vehicles including cars, vans, lorries and fork lift trucks.

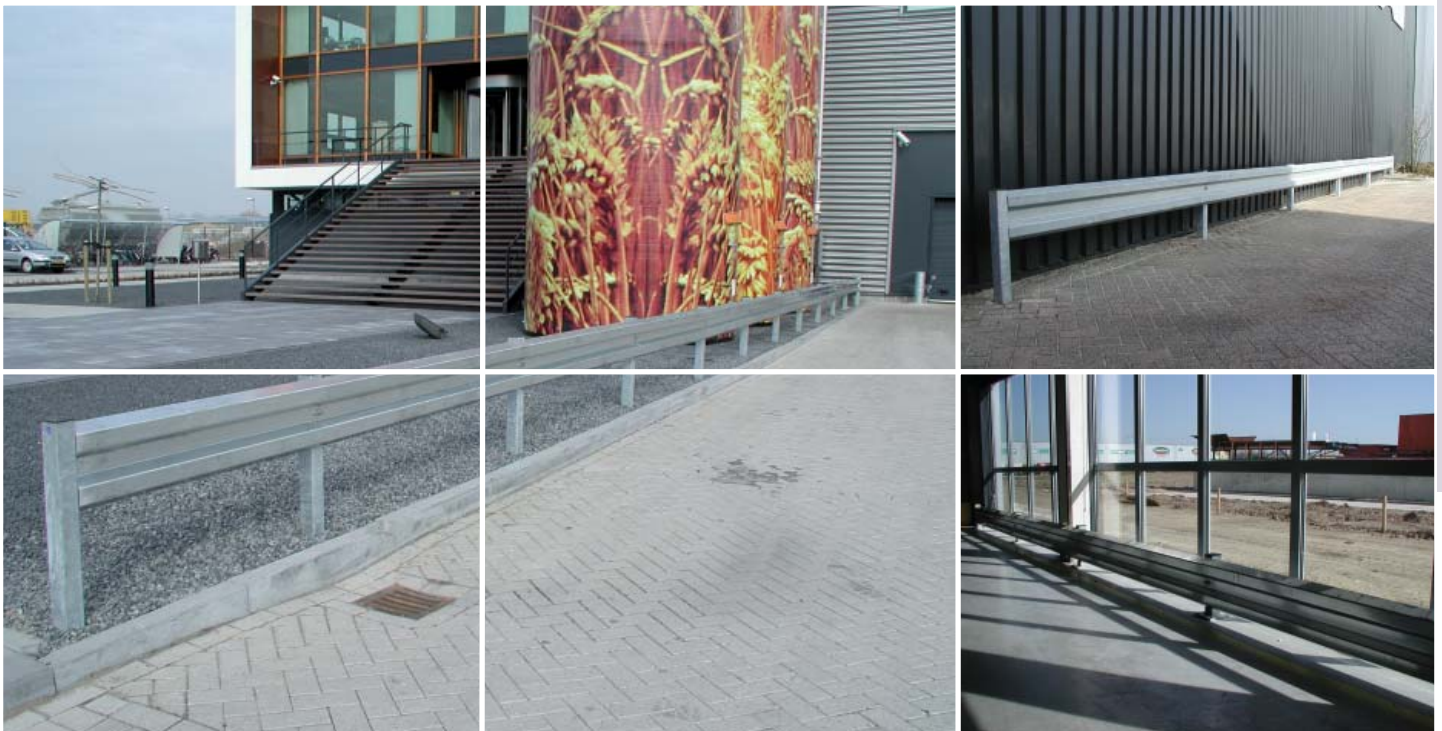
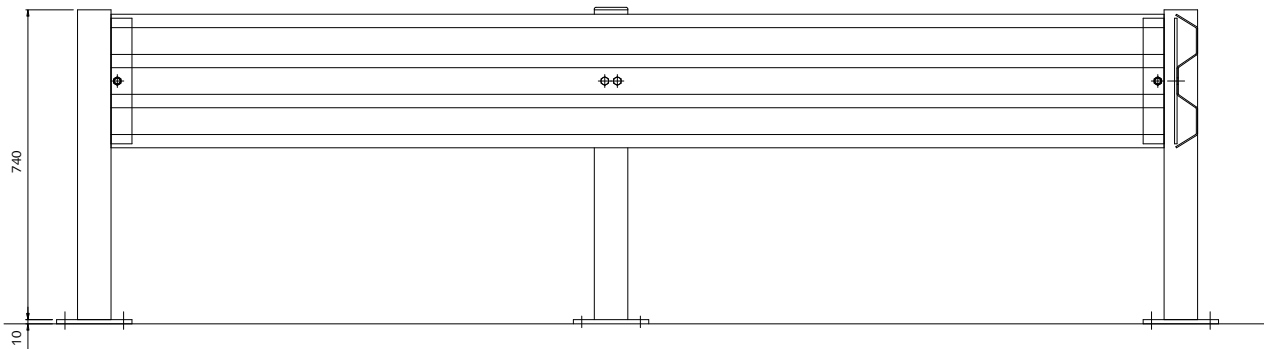
The barrier is supplied as standard in galvanised steel, but can be powder coated on request to match surrounding buildings in a choice of 192 standard RAL colours.

It can be supplied with extended supports for below ground fixing or with base plates.



PROTECTION BARRIER	
Part code	Description
02.790.000	protection profile barrier out of folded steel sheets thick 3mm, length 2500mm
02.790.700	additional charge for powdercoating in RAL colour
02.794.000	protection profile barrier out of folded steel sheets thick 3mm, length 2000mm
02.794.700	additional charge for powdercoating in RAL colour
02.796.000	steel intermediate post for protection profile barrier, total length 1000mm
02.796.010	steel end post for protection profile barrier, total length 1000mm
02.796.020	steel corner post for protection profile barrier, total length 1000mm
02.796.700	additional charge for powdercoating post in RAL colour

Part code 02.790.000





GUIDE TUBE	
Part code	Description
02.680.230	Tube barrier, length 1500mm, height 200mm
02.680.700	additional charge for powdercoating in RAL colour
02.681.230	Tube barrier, length 1500mm, height 900mm
02.681.700	additional charge for powdercoating in RAL colour
02.682.230	Tube barrier, length 2000mm, height 200mm
02.682.700	additional charge for powdercoating in RAL colour
02.686.230	Tube barrier, length 2000mm, height 900mm
02.686.700	additional charge for powdercoating in RAL colour

**TUBE BARRIER**

Since its launch the Tube Barrier has been extensively used by our customers through out Europe. The fine form and the solid-looking protection offers a stylish and simple solution to all areas. Originally designed as a project specific product we are pleased to now offer it as part of our standard range.

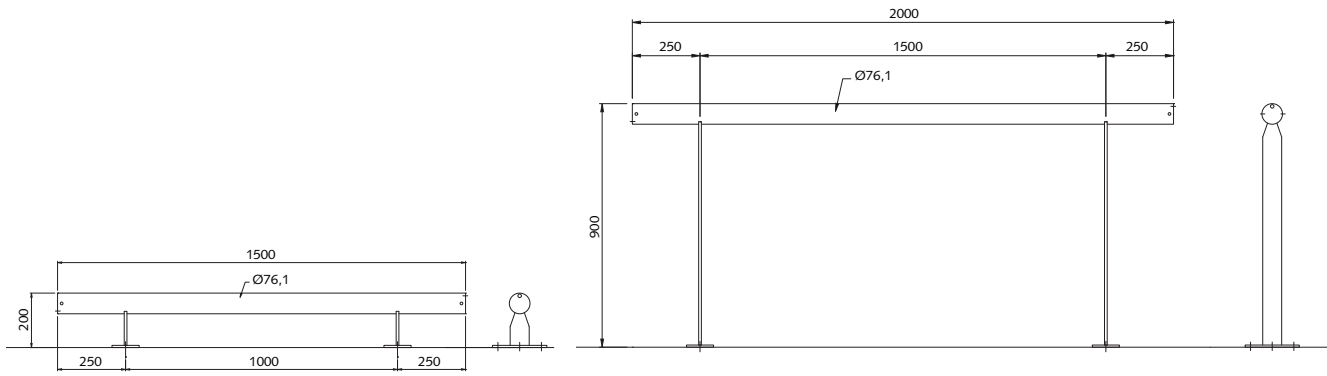
The Tube Barrier is made up of a galvanised steel tube of 219mm diameter welded to 2 uprights available in heights of 200mm (photo's 1A) or 900mm (photo's 1B).

It can be supplied with extended supports for below ground installation or with base plates.



Part code 02.680.230

Part code 02.686.230





## GUIDE TUBE BARRIER

For heavier protection against unwanted vehicle access, the construction consists of a round 193.7mm traverse welded to round supports 90 mm. The tube ends are closed and the standard length is 3000 mm.

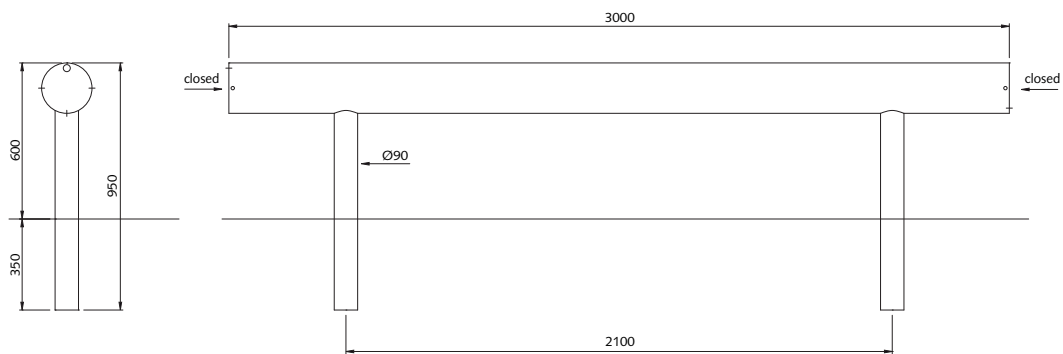
Available for below ground installation in two heights: 600 and 750 mm or with base plates.

The tube barrier can be powder coated in one of 192 standard RAL colours.

## GUIDE TUBE BARRIER

Part code	Description
02.690.000	guide tube on 2 supports to grout in, length 3000 mm, total height 800 mm
02.690.214	guide tube on 2 supports, length 3000 mm, height 600 mm from welded base plates 180x180 mm
02.690.700	additional charge for powdercoating in RAL colour
02.691.000	guide tube on 2 supports to grout in, length 3000 mm, total height 950 mm
02.691.214	steel tube on 2 supports, length 3000 mm, height 750 mm from welded base plates 180x180 mm
02.691.700	additional charge for powdercoating in RAL colour

### Part code 02.690.000

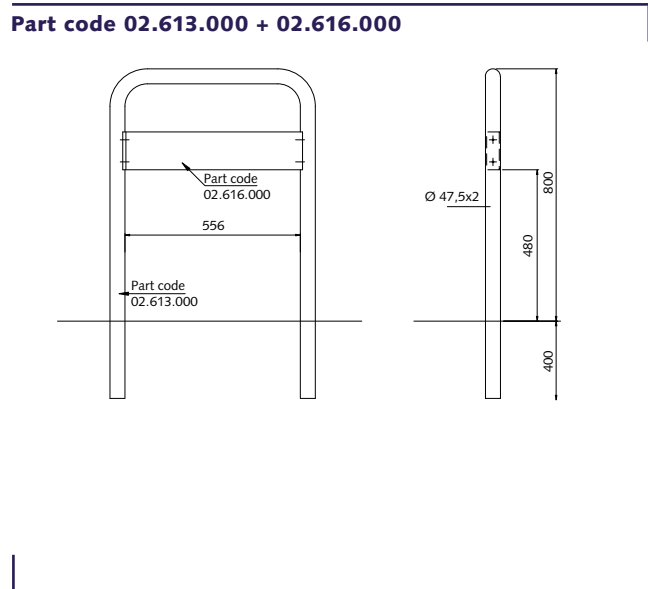
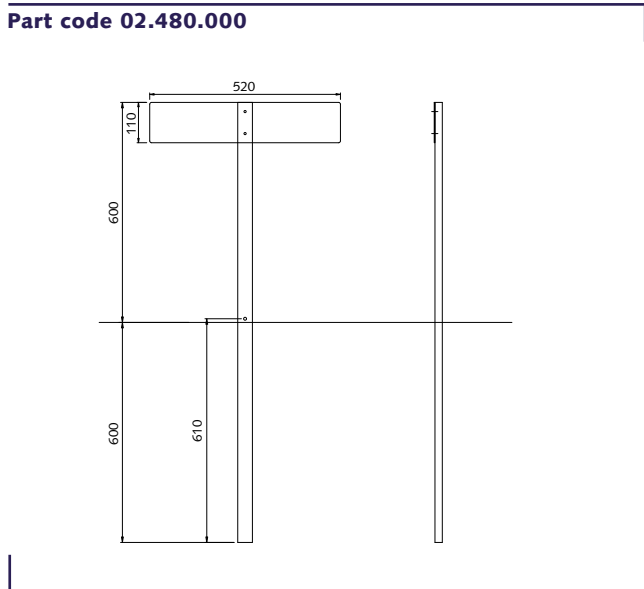




1 PARKING SPACE POST	
Part code	Description
02.480.000	parking space reservation post
02.480.700	additional charge for powdercoating frame in a RAL colour
2 RESERVATION FRAME	
Part code	Description
02.613.000	tube frame for art.no. 02.616.000
02.613.700	additional charge for powdercoating frame in a RAL colour
02.616.000	steel plate to mount inside frame
02.616.700	additional charge for powdercoating frame in a RAL colour
02.617.099	additional charge for text on powder-coated plate 02.616.000 _____ (colour) letters; text _____

**1 PARKING SPACE POST**  
Simple post with panel for Logo or Text, constructed from galvanised steel and powder coated on request in a choice of 192 standard colours.  
Extended supports for below ground installation.

**2 RESERVATION FRAME**  
The Reservation frame is constructed from 48mm galvanised steel tubing and a galvanised steel plate 550 x 120mm it can be powder coated on request in a choice of 192 standard colours.  
  
Height above ground is 800mm. Should be supplied powder coated to maintain good adhesion for added text.





## PARKING CLICK BARS

The Falco parking bar has been an excellent solution for many years. At 950 mm wide and 450 mm high, the bar ensures that your parking space is always available.

Supplied complete with a half euro profile cylinder with 3 keys. You thereby have the choice of cylinders keyed differently or alike.

The cylinder is protected by a rubber piece.

Handily packaged in a box with a drilling template for fixation on a concrete surface. The bar can be colour powder-coated in a standard RAL colour for an additional charge.

Optionally you can choose a prefab concrete slab in which the bar totally disappears when down. You then do not trip over and the bar is not damaged when run over.

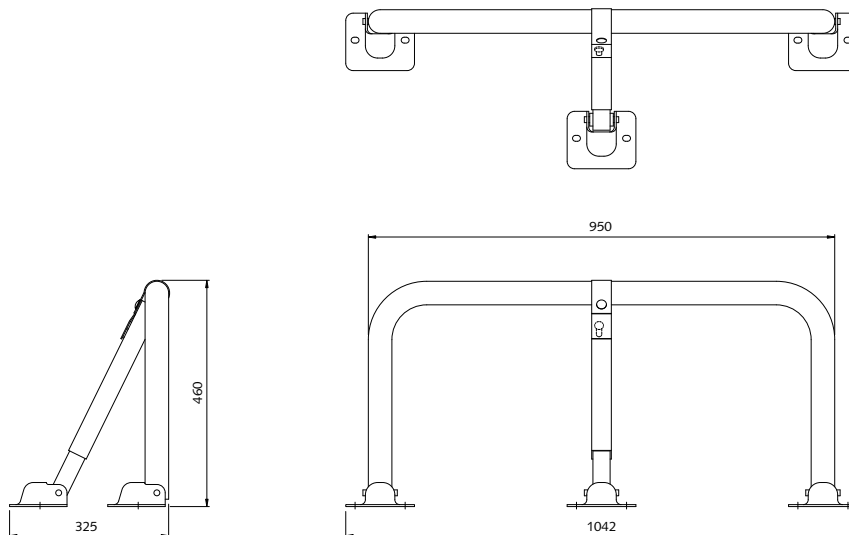
The slab weight 295 kg and has the bolts included.

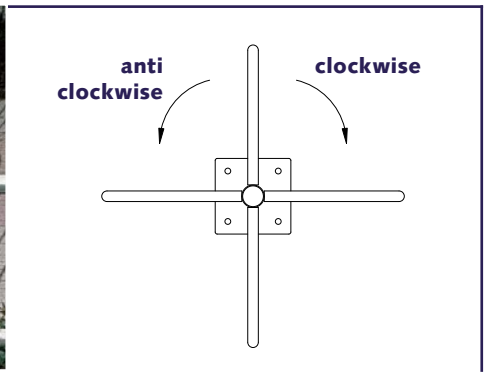
A set of 4 red reflecting bands makes the bar more noticeable in upright position.

## PARKING CLICK BARS

Part code	Description
02.622.000	Parking click bar, hot-dip galvanised, varying combination cylinder, weight approx. 8 kg
02.622.050	Parking click bar, hot-dip galvanised, same combination cylinder, weight approx. 8 kg
02.622.101	prefab concrete slab, for parking click bar
02.622.700	additional charge for powdercoating parking click bar in a RAL colour
02.622.160	set of 4 red reflecting bands, 50 mm wide, applied

### Part code 02.622.000





FALCO TURNSTILE	
Part code	Description
03.020.000	turnstile, height 1000 mm
03.020.700	additional charge for powdercoating in a RAL colour
03.021.000	turnstile, height 1250 mm
03.021.700	additional charge for powdercoating in a RAL colour
03.022.000	turnstile, height 1500 mm
03.022.700	additional charge for powdercoating in a RAL colour
03.023.000	turnstile, height 2000 mm
03.023.700	additional charge for powdercoating in a RAL colour
03.024.000	additional charge for rotation restricter 4x90 degrees anti-clockwise
03.025.000	additional charge for rotation restricter 4x90 degrees clockwise

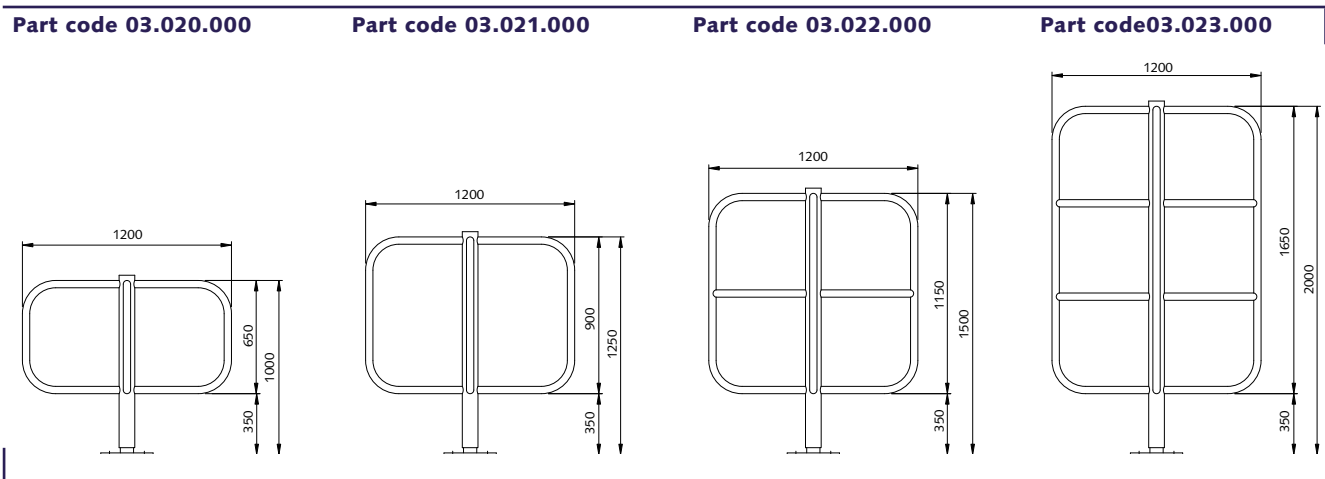
**FALCO TURNSTILE**

A simple and attractively priced turnstile. Supplied as standard with a diameter of 1200 mm and a height of 1000, 1250, 1500 or 2000 mm. Positioning is simple, thanks to the welded steel 300x300x10 mm base plate.

The pillar is stable with a tubing diameter of 90 mm. The tubing of the wings is  $\varnothing$  41.5x2 mm.

To force passers-by to go one way there are the rotation restricters 'clockwise' or 'anti-clockwise'.

**N.B.** To be combined with the FalcoPilot guide rails of page 143.





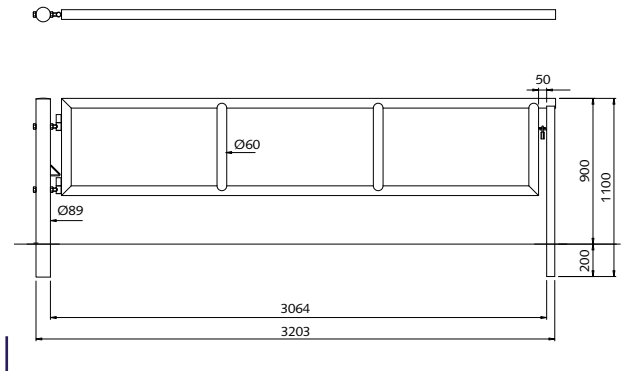
## 1 SWING BARRIER

Swing barriers are often used in conjunction with the Kissing gate, particularly in those situations where vehicles still need occasional access for maintenance.

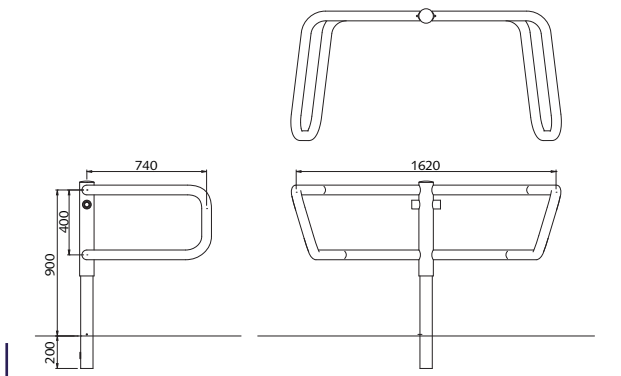
The swing barrier can be secured with your own padlock.  
Net clearance 3000 mm.

**N.B.** Also available in shorter lengths on request.

### Swing barrier, Part code 02.911.000



### Kissing gate, Part code 02.901.000



## 1 SWING BARRIER

Part code	Description
02.911.000	steel swing barrier, total height above ground level 900 mm
02.911.700	additional charge for powdercoating swing barrier in a RAL colour

## 2 KISSING GATE

Part code	Description
	steel Kissing gate comprising: post, crossbar and bolt, hot-dip galvanised
02.901.700	additional charge for powdercoating Kissing gate in a RAL colour

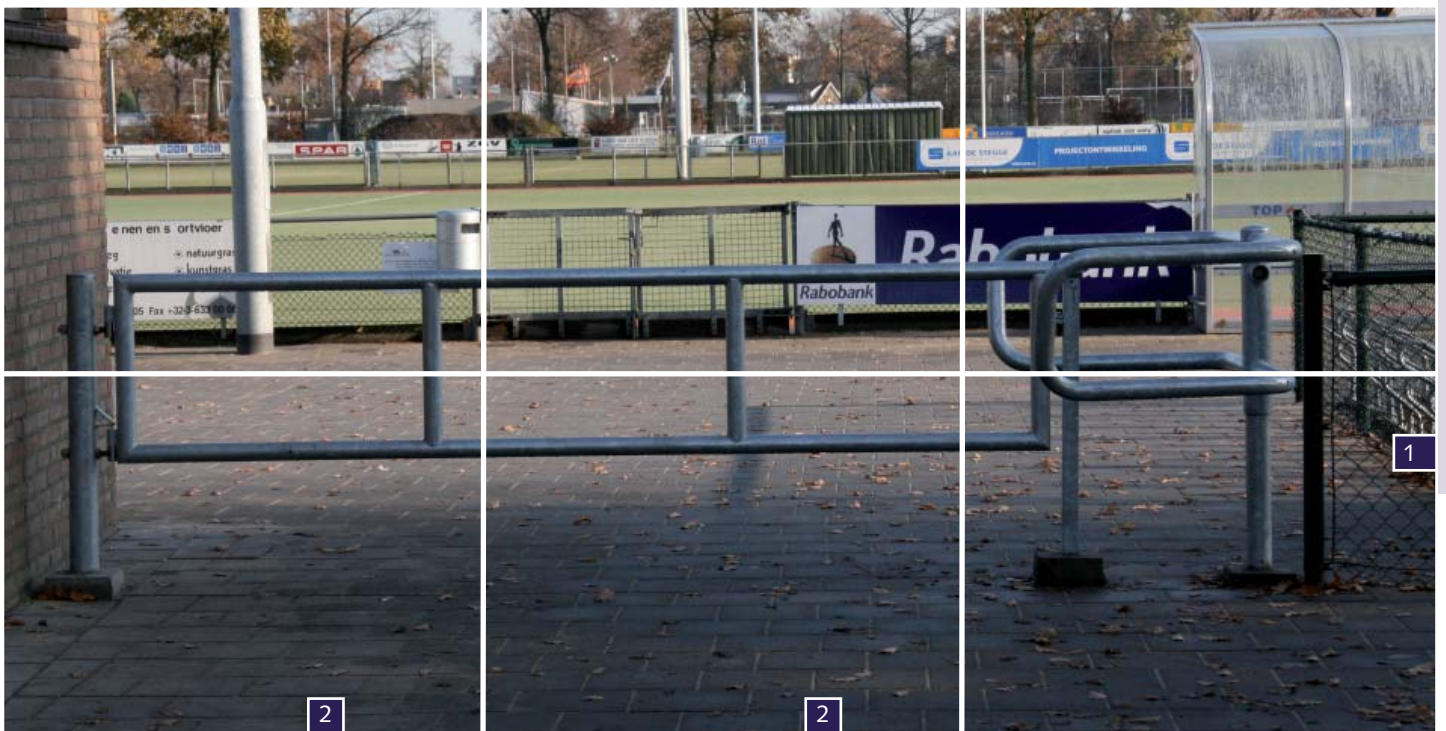
## 2 KISSING GATE

Alongside the impeding role played by guide rails, it is also often desirable to prevent access by bicycles and mopeds. To this end, Falco has been supplying the Kissing gate for many years.

Wherever cyclists and moped riders improperly use 'rat runs', they can now be barred with the Kissing gate, as a result of which pedestrians can once again use these pedestrian paths unimpeded and with a sense of security.

Pushchairs, prams and wheelchairs can all pass through the gate. Bicycles and mopeds cannot. Operation is simple: a pram is pushed into the gate, is turned, the crossbar is moved and the pram can pass through the gate.

**N.B.** Not all prams and wheelchairs can pass through the gate with a 750 mm gap.  
Ask the sales department about the possibilities.





### MANUAL BARRIER

Part code	Description
06.040.100	manual barrier, 4 metres clear width
06.040.751	manual barrier, 4 metres clear width, barrier in white powdercoating with red horizontal film
06.050.100	manual barrier, 5 metres clear width
06.050.751	manual barrier, 5 metres clear width, barrier in white powdercoating with red horizontal film
06.060.100	manual barrier, 6 metres clear width
06.060.751	manual barrier, 6 metres clear width, barrier in white powdercoating with red horizontal film
06.070.100	manual barrier, 7 metres clear width
06.070.751	manual barrier, 7 metres clear width, barrier in white powdercoating with red horizontal film
06.080.000	latching post on base plate 200x100x8 mm
06.080.700	additional price for powdercoating of post in RAL colour
06.085.000	aluminium hinge post mounted under barrier
03.993.000	brass padlock with 50 mm case, keyed differently, with 3 keys

### MANUAL BARRIER

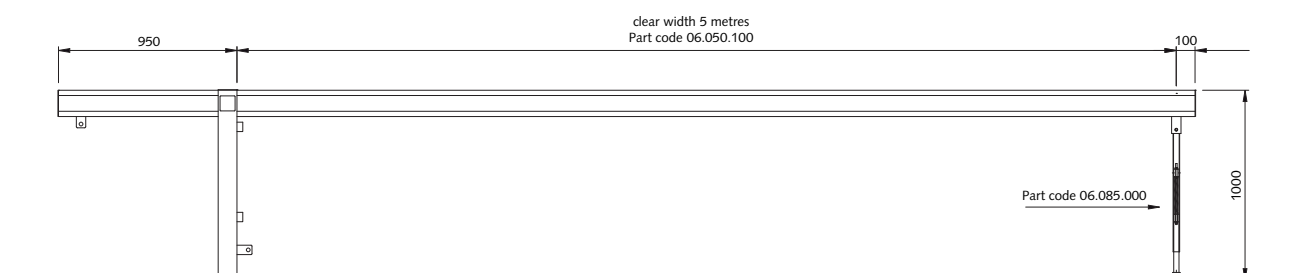
The barriers are used a great deal on market squares, leisure sites, service roads, industrial sites, camp sites and in forests. On the one hand as security, and on the other, to prevent or control access.

The pillar is made of 100x60 mm steel tubular section and fitted with 300x300 base plates with anchor bolt holes at a centre to centre distance of 200 mm for M16 anchor bolts. The barrier is made of anodised F22 aluminium, specially octagonally profiled. The barrier revolves on a stainless steel axis with a diameter of 30 mm. All the steel elements are hot-dip galvanised.

These barriers can be locked with a padlock in both open and closed position. The barriers can also be coated white, and are then furnished with red film in the centre of the barrier along the full length on both sides.

All barriers are produced with a counterweight and friction clutch. This has been a tried and tested system for optimum ease of use for many years.

### manual barrier





## MANUAL SWIVEL BARRIER

Comprising a hot-dip galvanised pillar and an aluminium octagonal barrier.

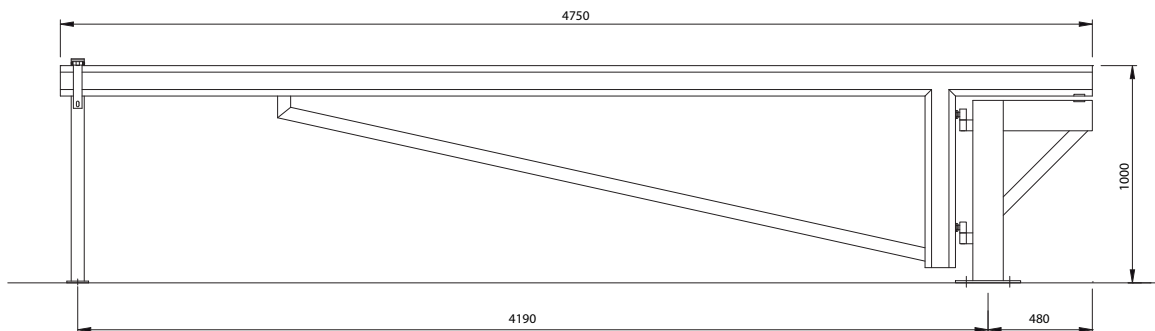
In a closed position the barrier has to be locked with a padlock at the latching post. With another latching post you can also lock the barrier in the open position. This post also has a base plate to fix below ground level.



## MANUAL SWIVEL TURNSTILE

Part code	Description
06.130.000	manual swivel barrier, length 3 metres
06.130.751	manual swivel barrier, length 3 metres, in white powdercoating with red horizontal film
06.140.000	manual swivel barrier, length 4 metres
06.140.751	manual swivel barrier, length 4 metres, in white powdercoating with red horizontal film
06.150.000	manual swivel barrier, length 5 metres
06.150.751	manual swivel barrier, length 5 metres, in white powdercoating with red horizontal film
06.160.000	manual swivel barrier, length 6 metres
06.160.751	manual swivel barrier, length 6 metres, in white powdercoating with red horizontal film
06.170.000	manual swivel barrier, length 7 metres
06.170.751	manual swivel barrier, length 7 metres, in white powdercoating with red horizontal film
06.114.000	latching post with padlock facility
03.993.000	brass padlock with 50 mm case, keyed differently, with 3 keys

manual swivel barrier, length 4 metres





### RAISED BARRIER

Part code	Description
06.180.024	column 120x120mm, total length column 2400mm
06.173.000	crossbar, length 3000mm
06.173.756	crossbar, length 3000mm, powdercoated in RAL 9010 - white with red reflecting square films
06.174.000	crossbar, length 4000mm
06.174.756	crossbar, length 4000mm, powdercoated in RAL 9010 - white with red reflecting square films
06.175.000	crossbar, length 5000mm
06.175.756	crossbar, length 5000mm, powdercoated in RAL 9010 - white with red reflecting square films
06.176.000	crossbar, length 6000mm
06.176.756	crossbar, length 6000mm, powdercoated in RAL 9010 - white with red reflecting square films

### RAISED BARRIER

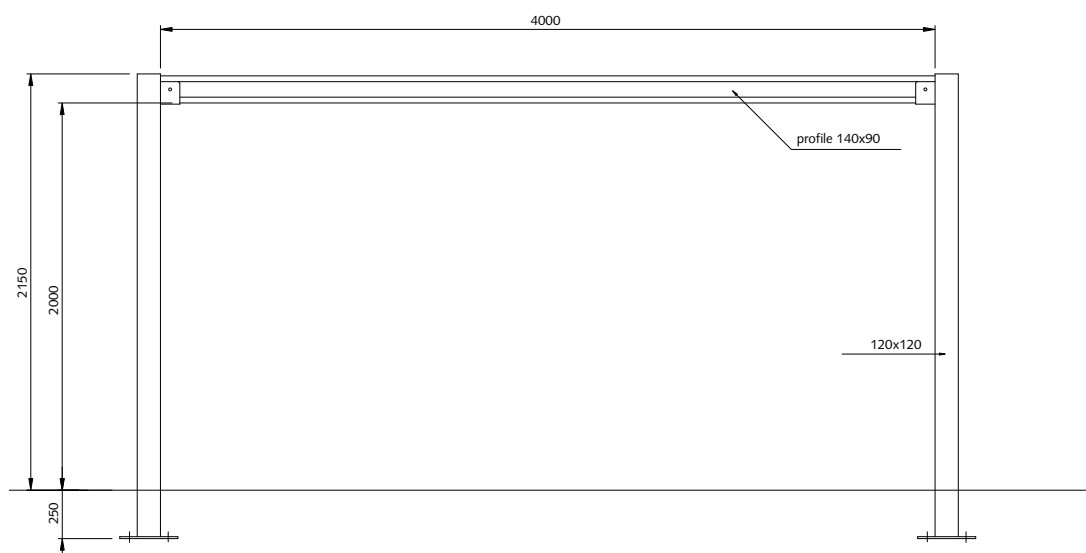
This system consists of 2 types of pillar with "catchers". Uprights made of square steel tubular sections, with base plate.

The aluminium barrier is 140x90 mm. On both sides of the barrier the text: "MAX. HEADROOM ... CM", in adhesive letters. Letter height 50 mm, colour black.

The uprights are available in 120x120 mm or 140x140 mm depending on the overall height.

Base plates of 300x300x10 mm are welded under the uprights for fixation 250 mm below ground level.

2x Part code 06.180.024 + 1x Part code 06.174.000





## 1 ALUMINIUM FLAGPOLE

The Falco aluminium flagpoles is supplied in many different versions and models . They are constructed from an extruded Aluminium profile. Flagpoles with a length above ground of 4, 5, 6 and 7 meters are supplied with a diameter of 60 mm, while the 7 and 8 meters are available with a 90 mm diameter. The top finial is supplied as standard in black.

Available in a white-coated aluminum or plain finish.

Anchoring can be with a socket or with a tilting base, these can be supplied with a concrete foot or embedded into a block.

## 2 ANTI VANDALISM MECHANISM

The flagpoles with a diameter of 90 mm are also available with a internal housing for use in public space where the flagpole may attract attention for vandalism, the cord runs through the interior of the mast and is only accessible with a key in the side of the mast. The cord height can be adjusted through this flap.

## 3 FLAGPOLE WITH BANNER HOLDER

We can now offer flagpoles with a banner holder, the extender is available in either a 60mm or 90 mm diameter and is equipped with a wear-resistant, double ball bearing system. The mast is available with a tilting arrangement.

## 1 ALUMINIUM FLAGPOLE Ø 60MM

Part code	Description
08.006.2x0	Aluminium Flagpole Ø 60mm, length 6 metres
08.007.2x0	Aluminium Flagpole Ø 60mm, length 7 metres
08.820.060	Fixing Sleeve with base plate for Ø 60mm
08.820.061	Fixing sleeve with concrete foot for Ø 60mm
08.822.060	Tilting base with anchor plate for Ø 60mm
08.822.061	Tilting base with concrete foot for Ø 60mm

## 1 ALUMINIUM FLAGPOLE Ø 90MM

Part code	Description
08.207.2x0	Aluminium Flagpole Ø 90mm, length 7 metres
08.208.2x0	Aluminium Flagpole Ø 90mm, length 8 metres
08.820.090	Fixing Sleeve with base plate for Ø 90mm
08.820.091	Fixing sleeve with concrete foot for Ø 90mm
08.822.090	Tilting base with anchor plate for Ø 90mm
08.822.091	Tilting base with concrete foot for Ø 90mm

## 2 ANTI VANDALISM MECHANISM

Part code	Description
08.200.005	For Ø 90mm Flagpole

## 3 FLAGPOLE WITH BANNER HOLDER

Part code	Description
08.200.025	Banner Holder for Ø 60mm & Ø 90mm





### ALUMINIUM FLAGPOLE

Part code	Description
08.407.215	Conical Aluminium Flagpole powder coated, 7 metres Ø 114 – 60mm
08.407.255	Conical Aluminium Flagpole non powder coated, 7 metres Ø 114 - 60mm
08.408.215	Conical Aluminium Flagpole powder coated, 8 metres Ø 114 - 60mm
08.408.255	Conical Aluminium Flagpole non powder coated, 8 metres Ø 114 - 60mm
08.409.215	Conical Aluminium Flagpole powder coated, 9 metres Ø 114 – 60mm
08.409.255	Conical Aluminium Flagpole non powder coated, 9 metres Ø 114 - 60mm
08.822.100	Tilting base plate for Ø 114mm Flagpole
08.410.215	Conical Aluminium Flagpole powder coated, 10 metres Ø 135 – 60mm
08.410.255	Conical Aluminium Flagpole non powder coated, 10 metres Ø 135 - 60mm
08.822.135	Tilting base plate for Ø 135mm Flagpole
08.412.215	Conical Aluminium Flagpole powder coated, 12 metres Ø 145 – 60mm
08.412.255	Conical Aluminium Flagpole non powder coated, 12 metres Ø 145 - 60mm
08.822.145	Tilting base plate for Ø 145mm Flagpole

### ALUMINIUM FLAGPOLE

The conical aluminum flagpoles are ideal if you hang out a flag regularly and not for just one off occasions or anniversaries.

This classic style mast has a slim design and fits into any environment. Thanks to the special production process, this flagpole is manufactured to a very high quality, so making intensive use not a problem. Standard with orange finial, and black nylon cleat and cord guider.

The conical mast is available in the following lengths: 5, 6, 7, 8, 9, 10 and 12 meters. For the assembly we advise the tilting system which is available for a quick system.

Available in both a clear anodized implementation and white coated finish.



## 1 FALCOROTOMAST

The Falco Rotomast is new to the range and is formed from strong profiled aluminium with a diameter of 90 mm and is equipped with an right angled extension bar or banner holder that rotates 360°.

The banner holder can swivel smoothly with the wind direction, but it also ensures that the flag/banner stays clearly visible. An advantage with the Rotomast is that the mast does not need to be lowered to change the banner.

With the use of polyurethane rings as a counterweight it ensures the flag is always tight along the mast.

The masts are coated in white.

## 2 CONICAL POLYESTER FLAGPOLE

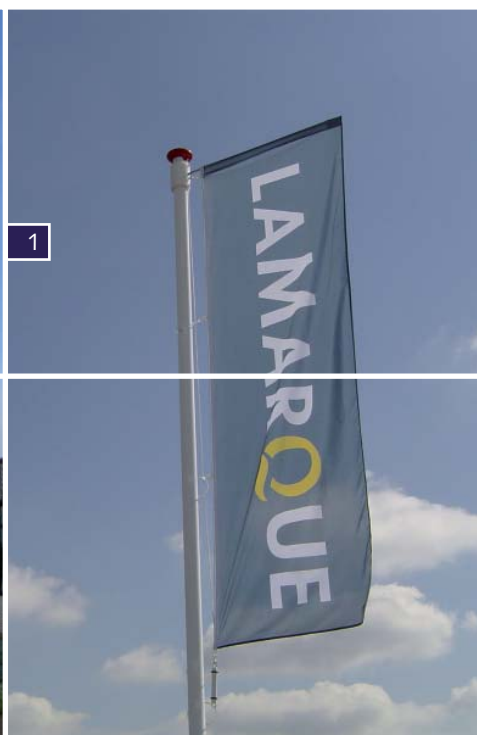
A mast made from a modern material (Polyester) a Traditional form. The properties reinforced Polyester, means the mast is flexible, lightweight and very hard wearing.

The flagpole comes as standard with an orange finial, frog cleat and cord all parts are with non-corroding. The flagpole comes with 5 metres of cord with core. We advise the use of the tilting base. The Falco polyester flagpoles are available from 5 meters to a length of no more than 18 meters.

The standard masts are white. But is also available in almost all RAL and PMS pantone colours.

The masts are coloured during the production process and are also UV-resistant coated. The flagpoles are manufactured to the standard set out in BS 6096.

1 FALCOROTOMAST	
Part code	Description
08.426.215	Aluminium Rotomast Ø90mm with 360° rotating banner holder 6 metres with orange finial
08.427.215	Aluminium Rotomast Ø90mm with 360° rotating banner holder 7 metres with orange finial
08.428.215	Aluminium Rotomast Ø90mm with 360° rotating banner holder 8 metres with orange finial
08.429.215	Aluminium Rotomast Ø90mm with 360° rotating banner holder 9 metres with orange finial
08.822.090	Aluminium Rotomast with tilting base with anchor plate for Ø 90mm
2 CONICAL POLYESTER FLAGPOLE	
Part code	Description
08.456.215	6 metre long, diameter 100 – 65mm
08.457.215	7 metre long, diameter 100 – 65mm
08.458.215	8 metre long, diameter 100 – 65mm
08.459.215	9 metre long, diameter 100 – 65mm
08.460.215	10 metre long, diameter 135 – 65mm
08.462.215	12 metre long, diameter 135 – 65mm
08.826.000	Tilting base for flagpoles up to 9 metres
08.827.000	Tilting base for flagpoles 10 – 12 metres





# The greatest choice of cycle parking systems in the UK

Cycling is fast becoming one of the most important forms of transport for modern times. The national and global shift towards everything environmental and healthy are epitomised in **cycling**.

Local authorities, architects, designers, commercial and industrial organisations are all changing and adapting to embrace the challenge of cycling – and each group has its own needs and ideas. Practical, robust, stylish, economical, modular, design led? ... there are many different 'drivers' to satisfying the needs of each scheme, and at Falco we have **a range of cycle parking** products which will provide a solution for any environment.

Everyone knows: that in Holland it is flat and that everyone cycles – everywhere! The Netherlands has the highest ratio of cycles per head of population in the world, so it is no surprise that Falco's Dutch colleagues have designed the most **innovative range** of cycle parking solutions anywhere.

Falco has been involved in providing cycle parking solutions for many years and we have developed an unparalleled range of stands, **racks, stores and shelters** to suit every requirement.

In this section we present the current range of distinctive racks and stands for cycle parking.

## Innovative cycle parking solutions





From the basic Sheffield stand through to the innovative double height FalcoFriendly or even sophisticated bespoke parking systems, Falco offers the **widest choice of products** in the UK. In addition, our equally large range of shelters and canopies (in the following section) are designed to complement the cycle parking systems shown here.

Across the range there is a great variation in form and function. The diversity of design and style enables specifiers to find products with a design element, which will not only complement a scheme, but positively **add value** to any streetscape.

Functionally, all our products are manufactured to a high standard, to be robust, give years of service and provide a high degree of security for cyclists. Steel parts are hot-dip galvanised to BS EN ISO 1461 and can be polyester powder coated in any of the **192 RAL colours**.

Cycling is a positive activity in many ways - health, cost, environmental and much more - the benefits are clear! So let us help to solve your infrastructure needs with high quality cycle parking systems which are both **functional and attractive**, and promote cycling within your community.



# QUESTIONS?

**Falco** Barnfield Close, Barnfield Ind. Estate, Leek Staffordshire ST13 5EG  
T 01538 380080 F 01538 386421 E sales@falco.co.uk W www.falco.co.uk





**1 SHEFFIELD STAND (Ø 41.5 MM)**

Part code	Without cross strut
02.008.000	width 900mm for below ground fix
02.008.015	width 900mm, height 800mm with base plates
02.008.700	additional charge for powdercoating in RAL
Part code	With cross strut
02.010.000	width 900mm for below ground fix
02.010.010	width 900mm, height 900mm with base plates
02.010.700	additional charge for powdercoating in RAL
02.100.000	width 1200mm for below ground fix
02.100.010	width 1200mm, height 900mm with base plates
02.100.700	additional charge for powdercoating in RAL

**2 SHEFFIELD STAND (Ø 60.0 MM)**

Part code	Without cross strut
02.560.000	width 900mm for below ground fix
02.560.009	width 900mm, height 900mm with base plates
02.560.700	additional charge for powdercoating in RAL
02.561.000	width 1200mm for below ground fix
02.561.009	width 1200mm, height 900mm with base plates
02.561.700	additional charge for powdercoating in RAL
Part code	With cross strut
02.550.000	width 900mm for below ground fix
02.550.009	width 900mm, height 900mm with base plates
02.550.700	additional charge for powdercoating in RAL
02.551.000	width 1200mm for below ground fix
02.551.009	width 1200mm, height 900mm with base plates
02.551.700	additional charge for powdercoating in RAL

**N.B.** Also available in stainless steel - (PTO) (pages 166 and 167) or in Toaster format (page 172).

**SHEFFIELD STANDS**

Sheffield stands are the most fundamental of cycle parking products. Two cycles can be secured, one on either side with a chain or cable lock. They are available with base plates for surface mounting or with longer legs for below ground fixing into concrete.

Additionally there are options with or without a cross strut and in different sizes. All Falco stands are hot dip galvanised to BS 1461 and additionally can be powder coated.

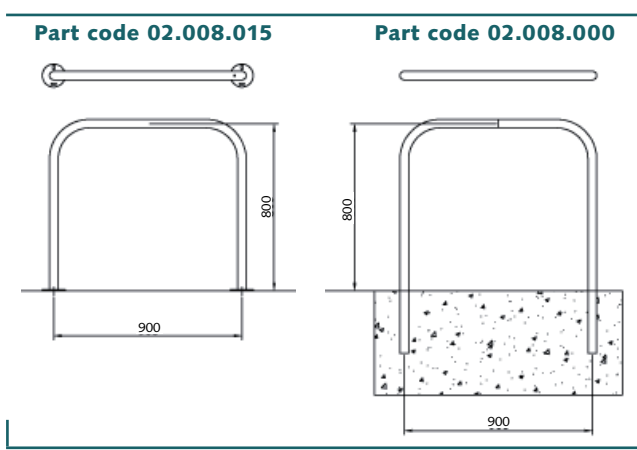
Normally placed at 800mm intervals, Sheffield stands are a sound, friendly and affordable bicycle parking solution.

**1 SHEFFIELD STANDS (Ø41.5MM)**

Basic Sheffield stand, designed to sit 800mm above ground level. Bolt down base plate or below ground fix (height 1,100mm of which 300mm is set below ground) options.

**2 SHEFFIELD STANDS (Ø60.0MM)**

A more robust stand, designed to sit 900mm above ground level. Bolt down base plate or below ground fix (height 1,250mm of which 350mm is set below ground) options





## 1 SHEFFIELD STANDS (Ø76.0MM)

A heavy duty Sheffield stand for the most challenging environments. The optional cross strut is Ø60.0mm. Bolt down base plate or below ground fix (height 1,250mm of which 350mm is set below ground) options.

## 2 MOPED / SCOOTER STANDS

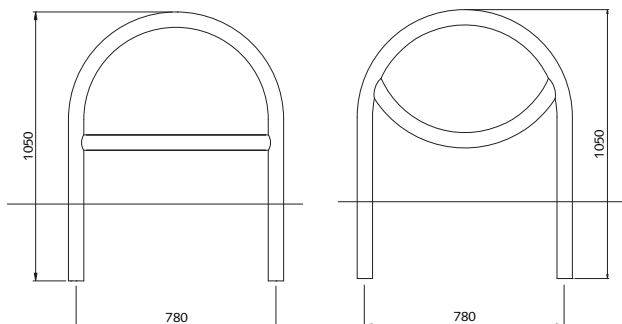
In addition to the various frame supports for bicycles, we now also offer two models specifically designed to accommodate mopeds and scooters as well as cycles. The heavy duty frame supports are manufactured from robust 60mm tubing, with a centre to centre distance of 780mm and both had a cross strut added to provide additional security points.

There are both below ground and surface fix (base plate) options as follows. Below ground fix are 1,050mm high of which 300mm is set below ground, whilst the surface fix option is 750mm high.

All products are hot-dip galvanised to BS EN ISO 1461, on top of which powder coating can be added in any of the 192 RAL colours.

Part code 01.011.000

Part code 01.012.000



## 1 SHEFFIELD STAND (Ø 76 MM)

### Part code Without cross strut

02.570.000	width 900mm for below ground fix
02.570.009	width 900mm with base plates
02.570.700	additional charge for powdercoating in RAL
02.571.000	width 1200mm for below ground fix
02.571.009	width 1200mm with base plates
02.571.700	additional charge for powdercoating in RAL

### Part code With cross strut

02.580.000	width 900mm for below ground fix
02.580.009	width 900mm with base plates
02.580.700	additional charge for powdercoating in RAL
02.581.000	width 1200mm for below ground fix
02.581.009	width 1200mm with base plates
02.581.700	additional charge for powdercoating in RAL

## 2 MOPED / SCOOTER STANDS

### Part code Description

01.011.000	frame support straight, height 1050mm, 750mm above ground
01.011.009	frame support straight, height 750mm with base plate
01.011.700	additional charge for powdercoating in RAL
01.012.000	frame support curved, height 1050mm, 750mm above ground
01.012.009	frame support curved, height 750mm with base plate
01.012.700	additional charge for powdercoating in RAL





1 SHEFFIELD STANDS (STAINLESS STEEL)	
Part code	Description
05.240.000	900 mm long, total height 1250 mm
05.241.000	1200 mm long, total height 1250 mm
05.242.000	1500 mm long, total height 1250 mm
05.243.000	1800 mm long, total height 1250 mm

2 SHEFFIELD STAND (WITH CROSS STRUT)	
Part code	Description
05.250.000	900 mm long, total height 1250 mm
05.251.000	1200 mm long, total height 1250 mm
05.252.000	1500 mm long, total height 1250 mm
05.253.000	1800 mm long, total height 1250 mm

**1 SHEFFIELD STANDS (STAINLESS STEEL)**

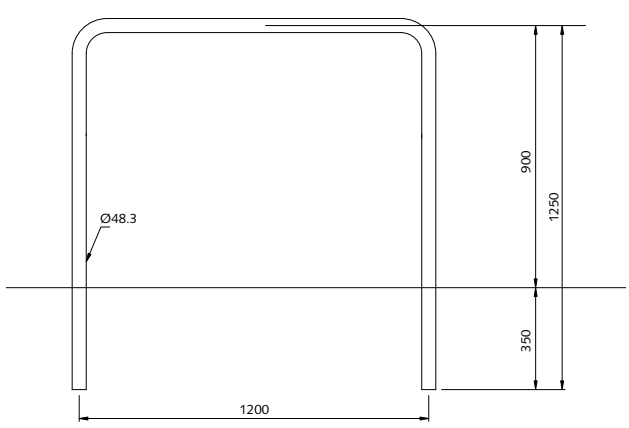
To provide a smarter guide rail or Sheffield stand Falco can also offer you the stainless steel versions in different lengths. In either 316 or 304 quality to give you maximum durability outdoors.

The standard product is manufactured from Ø48mm tube with a height of 1,250mm for below ground fix. The stainless steel Sheffield stand is also available with base plates as a bolt down version.

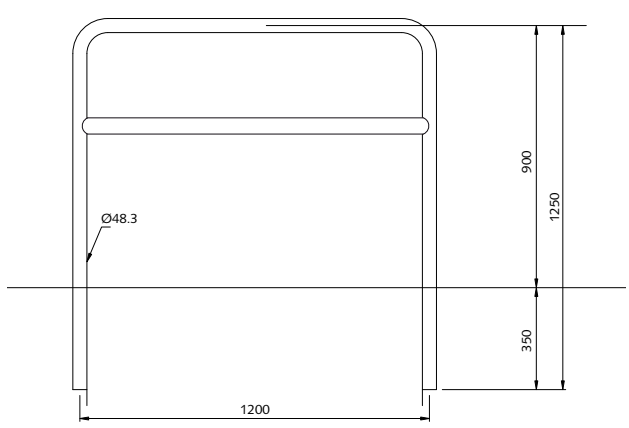
**2 SHEFFIELD STANDS (WITH CROSS STRUT)**

Identical to the guide rail above but then with an intermediary tube. Also available with a base plate for bolt down.

Part code 05.241.000



Part code 05.251.000





## 1 CYCLE HOOP

This is a stylish alternative to the Sheffield stand. In stainless steel, the Cycle Hoop is designed for below ground fixing and is available in two versions, without or with pre-formed concrete feet.

Standard sizes as follows:

Length 600mm, height 1325mm.

Length 600mm, height 1145mm from feet.

Tube diameter Ø42.4mm

## 2 STAINLESS STEEL ARCH

A modest but smart bicycle stand in stainless steel, our arch.

The arch has a width of 190 mm c.t.c. upright.

The total height is 1250 mm.

The tube has a diameter of 48.3x2 mm.

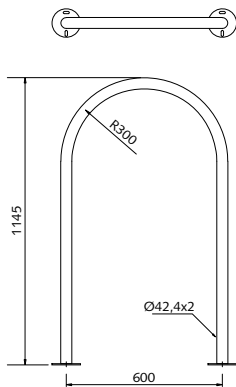
## 1 STAINLESS STEEL ARCH

Part code	Description
05.003.000	Stainless steel cycle hoop, length 600mm overall height 1325mm
05.003.125	Stainless steel cycle hoop, with concrete feet, length 600mm height from feet 1145mm

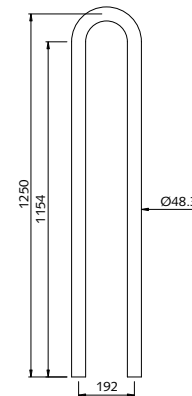
## 2 STAINLESS STEEL ARCH

Part code	Description
05.281.000	190 mm wide, total height 1250 mm

Part code 05.003.125



Part code 05.281.000





**TRIANGLE LEANING BRACKET**

Part code	Description
01.568.000	Triangle leaning bracket with anchor parts
01.568.026	Triangle leaning bracket with baseplates 130x150x8 mm
01.568.700	additional charge for powder-coated in a RAL colour

**TRIANGLE**

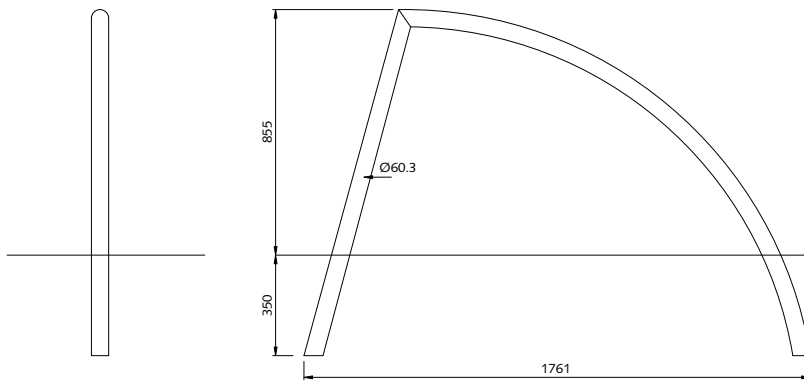
A great design led alternative to the Sheffield stand, the fin shaped cycle stand is part of our 'Triangle' range of co-ordinated street furniture. The design is very user friendly in that it gives all sizes of cycle something to lean against.

With a continuous tube you can attach your bicycle at several spots. The main tube off the stand is 60.3x2.9 mm and can be supplied with anchor parts to grout in or base plates for surface fix. The thick tube gives it a long lifespan. When several stands are installed next to each other then the intermediate distance between the main posts should be at least 750 mm.

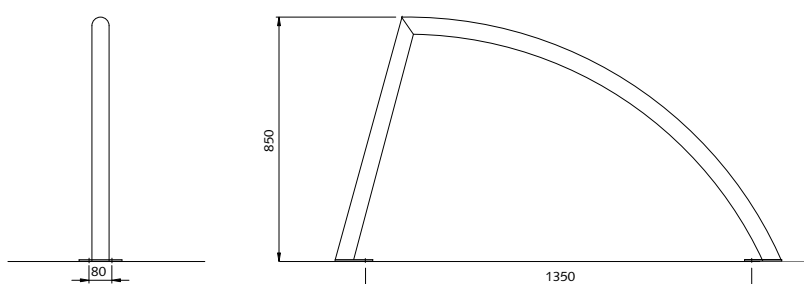
**TRIANGLE CO ORDINATED PRODUCTS**

- Benches page no. 16 and 17. Litter bin page no. 85.
- Bollards page no. 118. Shelters page no. 222 and 223.
- Cycle parking systems page no. 176, 177 and 178.

**Triangle, Part code 01.568.000**



**Triangle, Part code 01.568.026**





## 1 FALCOFLATLINE

The FalcoFlatline is a square section alternative to the rounded Sheffield stand. It can be used both as a cycle stand or as a barrier fence for pavements and demarcation.

The barrier is manufactured from steel box profile 80x20mm. Approximately 660mm from the top there is an additional strip to give the frame more solidity and 'body'.

The stand is designed to be mounted 900mm above ground level. The width is 750 mm. There are two options with either a root for below ground fix or alternatively a bolt down option with welded base plates 200x100mm with 2 mounting holes. The FalcoFlatline is also available as fixed bollard/post (page 121).

## 2 FALCOFAIR

A further variation to the cycle stand/leaning bracket is the curvy FalcoFair with its Greek 'pi' shape. Very much a design led option, the FalcoFair has bags of flair!

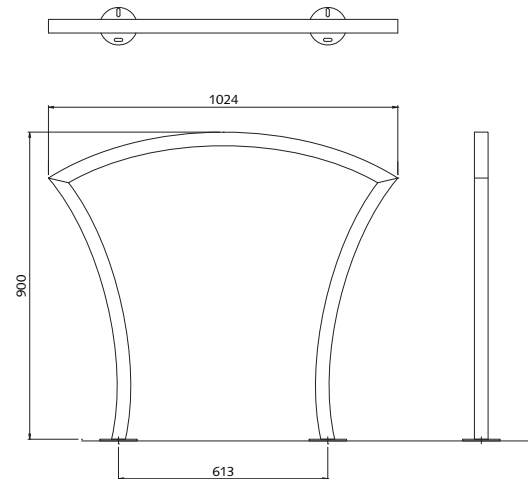
The stand is manufactured from 3 symmetrical robust steel sections welded in a curved profile. The leaning bracket is 1,024mm wide and 900mm high ground level. It is a fine and solid design thanks to the use of 40mm profile tube.

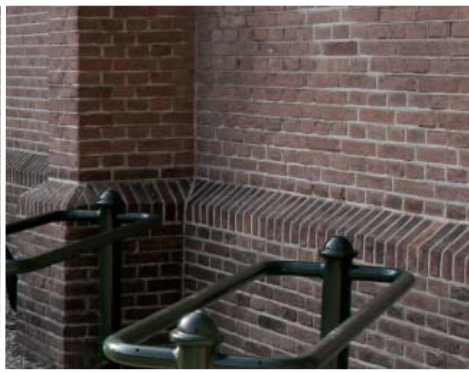
The FalcoFair is available with 2 welded base plates of diameter Ø110mm.

All Falco steelwork is hot dip galvanised to BS EN ISO 1461 and can additionally be powder coated in any of the 192 RAL colours.

1 FALCOFLATLINE	
Part code	Without cross strut
02.125.020	width 750mm, total height 1100mm for below ground fix
02.125.700	additional charge for powdercoating in RAL
02.125.212	width 750mm, height 900mm with base plates 200x100mm
02.125.712	additional charge for powdercoating in RAL
2 FALCOFAIR	
Part code	Description
02.015.010	width 1024 mm, height 900mm with base plates round 100mm
02.015.700	additional charge for powdercoating in RAL

FalcoFair, Part code 02.015.010



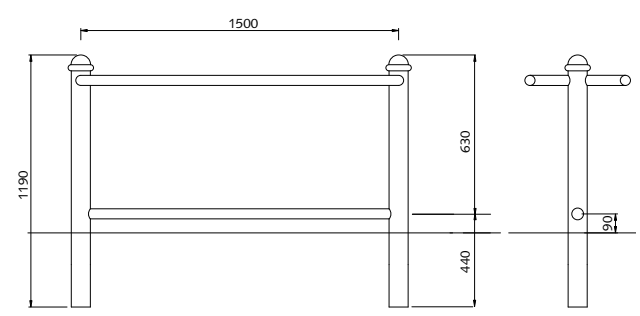


1	DOUBLE-T
Part code	Description
00.820.000	Double-T uprights with anchor piece
00.820.700	additional charge for powdercoating in a RAL colour
2	FALCOFLYER
Part code	Description
01.242.000	FalcoFlyer with 350 mm anchor piece
01.242.014	FalcoFlyer on base plate 180x180 mm
01.242.700	additional charge for powder-coating in a RAL colour

**1 DOUBLE-T**

Using the Falco 'Bowler' design, the Double-T is ideal for securing two cycles whilst keeping them at a good distance apart where space is not an issue and there is an opportunity to give the cyclist plenty of room. A great advantage is that you cannot secure two cycles with one lock, since the rails are spaced 450mm apart.

**Double-T, Part code 00.820.000**



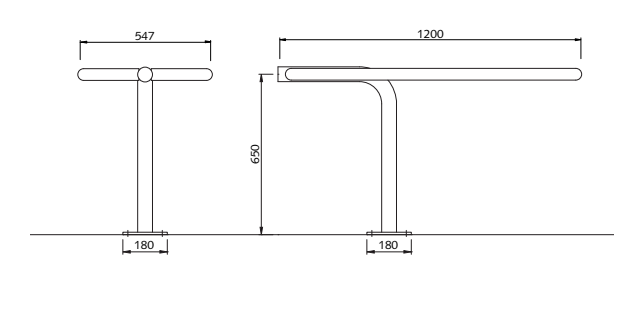
**2 FALCOFLYER**

The FalcoFlyer, with its aerodynamic influence, is a very useful cycle stand with many benefits. This economical product enables two cycles to be secured at a distance to eliminate the problem of cycles touching as with a Sheffield stand. Additionally as the FalcoFlyer has only a single mounting upright, then installation costs are greatly reduced.

Manufactured from robust Ø60mm and Ø47.5mm steel tube, the FalcoFlyer is mounted 650mm above ground level embedded in concrete, and if fitted against a wall, then the product should be placed min 900mm from the wall.

All Falco steel products are hot-dip galvanised to BS EN ISO1461 and can be polyester powder coated as an additional finish in any of the 192 RAL colours. Please note minimum order quantity of 20 stands.

**FalcoFlyer, Part code 01.242.014**





## 1 ELBOW SUPPORT, HOT DIP GALVANIZED

The Elbow series provides stable support for the parked bicycle. The design means that part of the bicycle rests against the support. The user can secure the bicycle against theft to the support using his own chain or cable lock.

The Elbow is available in a single- (photo 1A) and double-sided (photo 1B) version. This series is made of round 47.5 mm tubing.

## 2 ELBOW SUPPORT, STAINLESS STEEL

The Elbow series provides stable support for the parked bicycle. The design means that part of the bicycle rests against the support ( $\varnothing 48.3 \times 2$  mm).

The user can secure the bicycle against theft to the support using their own chain or cable lock. Height from floor is 484 mm.

This series is made of stainless steel 316 or 304.

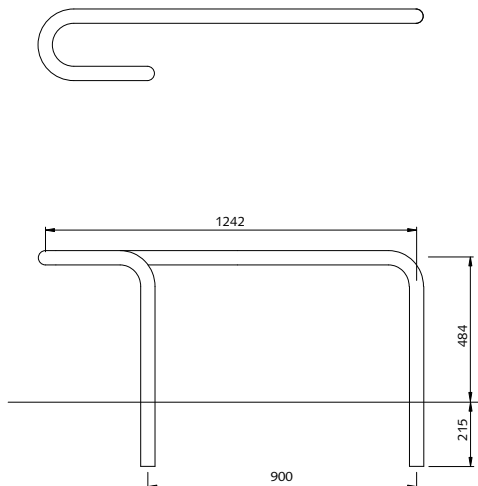
## 1 ELBOW SUPPORT, HOT DIP GALVANIZED

Part code	Description
01.261.000	Elbow, single with 215mm anchor piece RH
01.261.700	additional charge for powdercoating in RAL
01.262.000	Elbow, single with base plate $\varnothing 110$ mm LH
01.262.700	additional charge for powdercoating in RAL
01.265.000	Elbow, double with 150mm anchor piece
01.265.700	additional charge for powdercoating in RAL
01.266.000	Elbow, double with 215mm anchor piece
01.266.700	additional charge for powdercoating in RAL

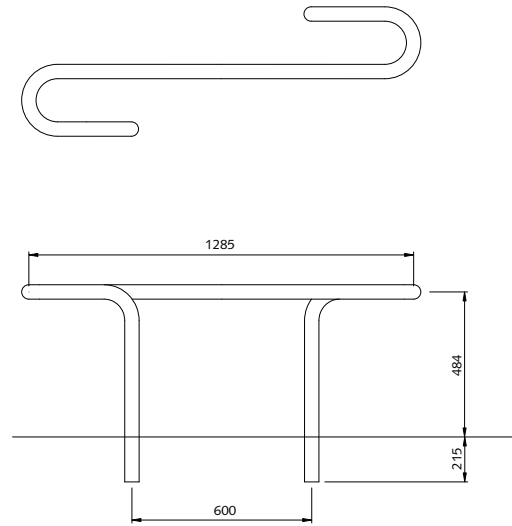
## 2 ELBOW SUPPORT, STAINLESS STEEL

Part code	Description
05.126.000	Elbow, single with 150mm anchor piece
05.126.050	Elbow, double with 150mm anchor piece

Elbow, Part code 01.261.000



Elbow, Part code 01.266.000



1A



2



2



1B



2



## FALCOTOASTER

Part code	Description
01.245.003	length 1,800mm with 3 supports 600mm ctc
01.245.703	additional charge for powdercoating 01.245.003 in a RAL colour
01.245.004	length 2,400mm with 4 supports 600mm ctc
01.245.704	additional charge for powdercoating 01.245.004 in a RAL colour
01.245.005	length 3,000mm with 5 supports 600mm ctc
01.245.705	additional charge for powdercoating 01.245.005 in a RAL colour
01.245.102	length 1,500mm with 2 supports 750mm ctc
01.245.772	additional charge for powdercoating 01.245.102 in a RAL colour
01.245.103	length 2,250mm with 3 supports 750mm ctc
01.245.773	additional charge for powdercoating 01.245.103 in a RAL colour
01.245.104	length 3,000mm with 4 supports 750mm ctc
01.245.774	additional charge for powdercoating 01.245.104 in a RAL colour
01.245.205	length 4,000mm with 5 supports 800mm ctc
01.245.785	additional charge for powdercoating 01.245.205 in a RAL colour
99.000.011	aluminium coupling to join Toasters (2 req'd)

## FALCOTOASTER

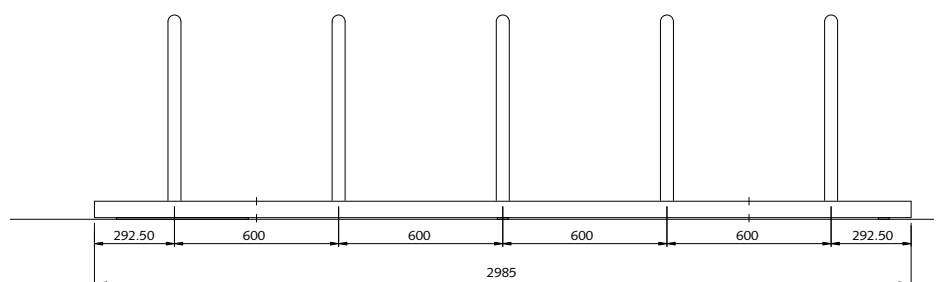
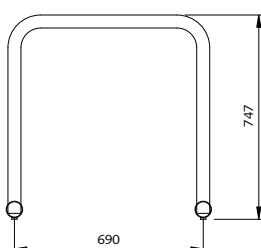
As its name suggests, the FalcoToaster, mounts rows of Sheffield stands on a purpose built frame creating a 'toast rack' effect. This is a great option for temporary installations or where digging up the floor is not appropriate. The range accommodates between 6 and 10 cycles with different spacing options as well.

The supports are welded to the Ø60mm tube base. Available in 3 standard lengths: 1,800 mm or 2,250 mm with 3 supports, 2,400 mm or 3,000 mm with 4 supports and 3,000 mm with 5 supports. The securing supports are mounted 600mm, 750mm or 800mm apart. The FalcoToaster is particularly useful for public use, as it can be used from 2 sides, is sturdy and appealing in its simplicity.

The base supporting tubes have holes for mounting the FalcoToaster on a level base. The top hole is larger so that the bolt fixing is concealed within the rail.



## FalcoToaster, Part code 01.245.005





## FALCOFLEX

The FalcoFlex is a flexible alternative to both the Sheffield stand and the FalcoToaster. Manufactured from robust modular steel tubes, the FalcoFlex can be assembled to create an infinite array of designs whilst enable two cycles to be parked at each stand.

The 'waveform' arrangement of the stand enables designers to create straight or curved patterns in conjunction with a particular landscape scheme.

Manufactured from Ø48mm tube modules; top, bottom and end - typically the FalcoFlex is mounted at 700mm between 'peaks' but this can be varied.

The structure is hot-dip galvanised to BS EN ISO 1461 and can be subsequently polyester powder coated in any of the 192 colours of the RAL register.

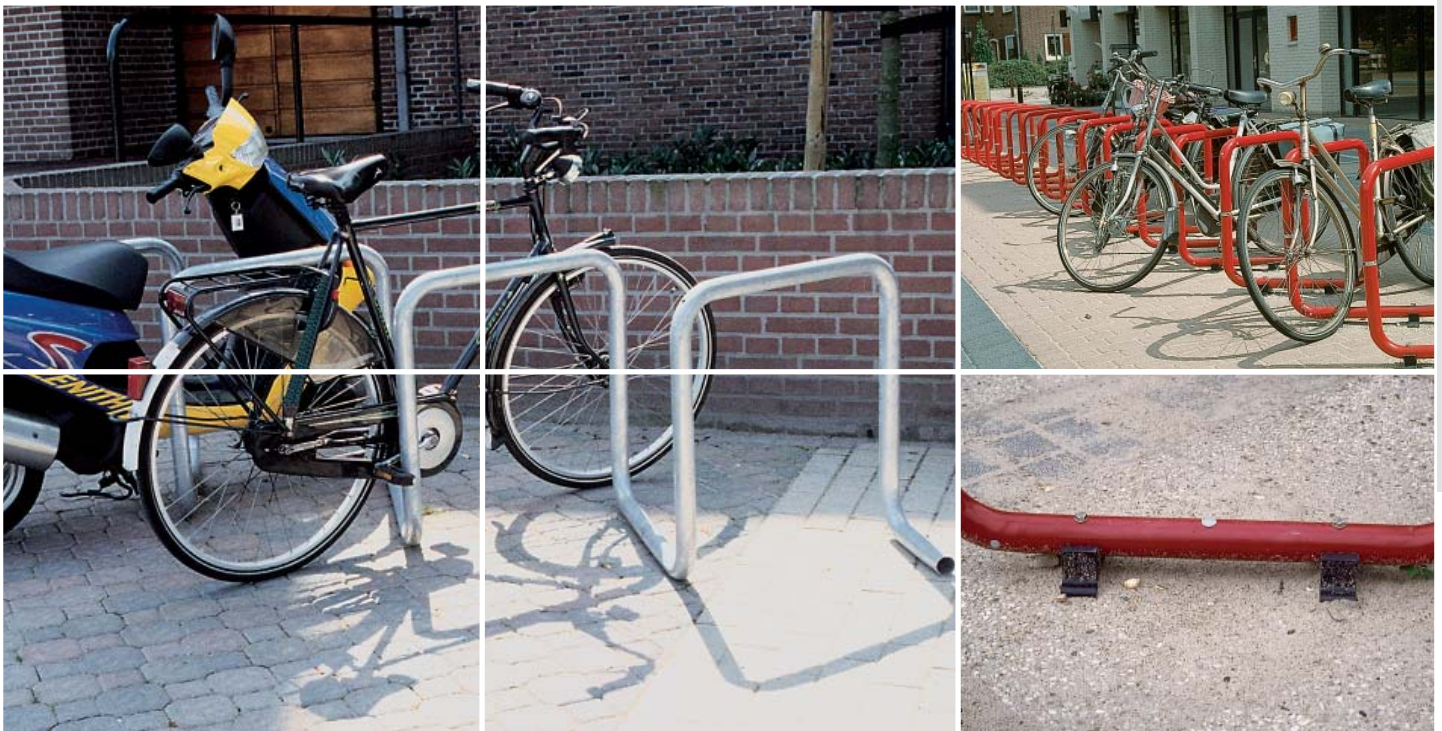
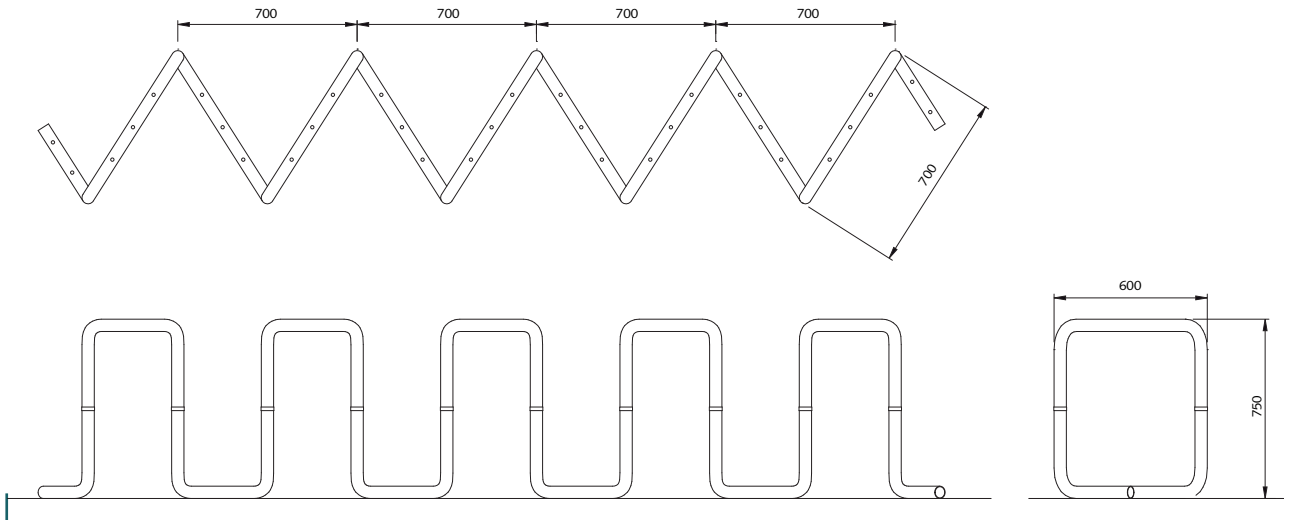
## FALCOFLEX

Part code	Description
01.250.000	FalcoFlex floor support 700x350 mm
01.250.700	additional charge for powdercoating in a RAL colour
01.251.000	FalcoFlex upper support 700x350 mm
01.251.700	additional charge for powdercoating in a RAL colour
01.252.000	FalcoFlex end/start support 350x350 mm
01.252.700	additional charge for powdercoating in a RAL colour
99.000.011	plastic adjuster for floor installation
99.000.201	end cap, PVC



### FalcoFlex, 01.250 series:

4x Part code 01.250.000 + 5x Part code 01.251.000 + 2x Part code 01.252.000





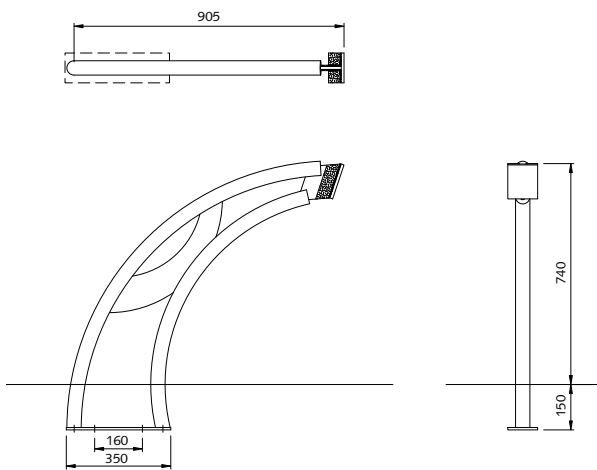
**FALCOFUNNY LEANING SUPPORT**

Part code	Description
01.240.000	FalcoFunny leaning support
01.240.700	additional charge for powder-coating in a RAL colour

**FALCOFUNNY LEANING SUPPORT**

The FalcoFunny is both a practical alternative to traditional stands as well as a distinctive design led product. This leaning support enables cyclists to hold their bike by the upright saddle support in a plastic coated cushioned pocket, rather than having the crossbar rest against a metal surface. Integral to the design are openings which allow a cycle chain or lock through to secure the cycle and the robust nature of the product provides a 'feel safe' factor for users.

**FalcoFunny**



The FalcoFunny design means it can be used in as part of a street scene development adding both structure and flair where traditional Sheffield stands will detract from the quality of the environment.

Manufactured from robust Ø48mm steel tube and 10mm thick welded steel plate, the FalcoFunny is a very sturdy product when mounted below ground.

The FalcoFunny has now been modified to provide even greater benefits to encourage cycling, with the addition of an integrated secure cycle lock and chain (see photos 1B). Mounted directly onto the cycle stand using a secure key system, the cyclist can park a bike, wrap the integral heavy duty cycle chain round their bike and into the lock, insert £1 and take the key away with them. On return, simply insert the key, retrieve their coin and cycle home - the locking mechanism is ready for the next person.

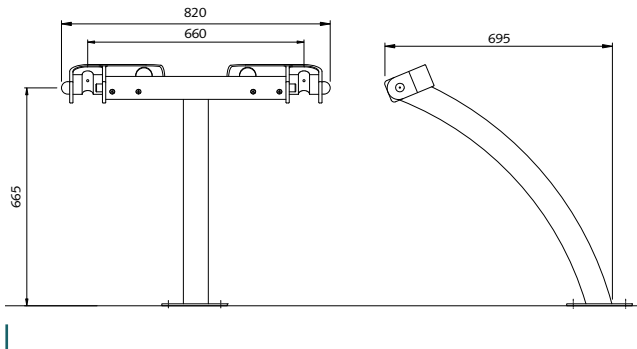


## U-LOK

The U-Lok is another innovative secure cycle parking system from Falco which provides integrated locking functionality for the cyclist. With this system, the cyclist need only carry a secure padlock rather than a heavy duty chain as well. As with the FalcoFunny, the cycle is supported by its frame in a plastic block to protect its paintwork. A sliding bolt mechanism is then moved across to secure the cycle in place and locked with the use of a padlock or standard cycle lock. Chain, cable and stirrup locks can also be used to secure the bicycle. When U-loks are used, it is very important to provide information to potential users. The U-lok does, incidentally, come with brief instructions as standard.

The U-lok is design-protected throughout Europe. The U-lok has no restrictions in terms of tyre width. Virtually any bicycle can be placed in the U-lok. The locking of the saddle tube and the height of the upright means that it is easy to use. It is not necessary to squeeze between the bicycles; users can remain behind the bicycle. The Falco U-lok is the right choice for safe and secure cycle parking. The U-loks are available in one height and are freestanding for 2 bicycles equidistant from one another. The U-lok uprights for 2 bicycles are best placed around 1350 mm apart.

### U-lok, Part code 01.620.248



## U-LOK

Part code	Description
01.620.000	U-lok for 2 bicycles equidistant, with anchor part to grout in
01.620.248	U-lok for 2 bicycles equidistant, with base plate
01.620.700	additional charge for powdercoating of main post in a RAL colour
01.620.701	additional charge for powdercoating of circular bracket in a different RAL colour in stead of red

The curved main support consists of a tube 76.1x2.9 mm and the cross tube is 70x2 mm. The circular bracket is 10 mm thick, powder coated in red and fitted with a plastic block. The sliding pin is made of solid round 20 mm steel and fitted with a hardwearing plastic sleeve in order to prevent damage to the bicycle. All steel components are hot-dip galvanised in accordance with EN-ISO 1461.

The height of the U-lok above the surface is 695 mm, the total height is 820 mm. For installation purposes you can choose between an anchor part to grout in or a base plate for fixed concrete surfaces.

All steel products made by Falco are hot-dip galvanised according to the standard EN-ISO 1461. The addition of a powdercoating not only gives you extra protection but also the choice of a RAL colour to suit your requirements.

The robust tube and solid steel parts make sure that the U-lok has a long lifespan.

All these treatments provide the U-lok with great durability so that it can decorate your street scene for years.

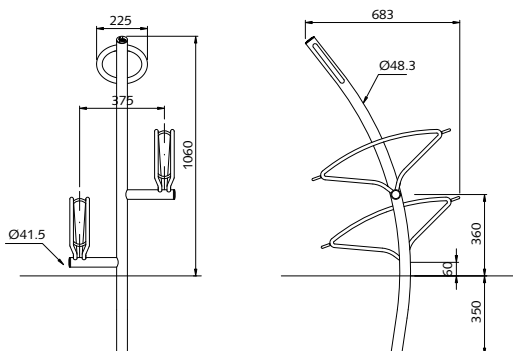




### TRIANGLE-10

Part code	Description
01.550.000	with single-sided 1 low cycle space left, with anchor part
01.550.025	with single-sided 1 low cycle space left, with baseplate Ø 220 mm
01.550.700	additional charge for powder-coated in RAL
01.551.000	with double-sided 2 low and 2 high cycle spaces, with anchor part
01.551.025	with double-sided 2 low and 2 high cycle spaces, with baseplate Ø 220 mm
01.551.700	additional charge for powder-coated in RAL
01.553.000	with single-sided 1 high cycle space right, with anchor part
01.553.025	with single-sided 1 high cycle space right, with baseplate Ø 220 mm
01.553.700	additional charge for powder-coated in RAL
01.554.000	single-sided high/low, with anchor part
01.554.025	single-sided high/low, with baseplate Ø 220 mm
01.554.700	additional charge for powder-coated in RAL

#### Triangle-10, Part code 01.554.000



### TRIANGLE CYCLE PARKING SYSTEM

The Triangle parking system is part of one of our co-ordinated street furniture ranges. Drawing on a recognisable theme, the Triangle range is a harmonious range of street furniture products covering; seating, bollards, litter bins, shelters and lighting, enabling designers to create an integrated external environment.

There are three versions of the Triangle cycle stand; Triangle-10, Triangle-20 and Triangle-30. Each stand has wheel brackets integrated into the design with three general options;

- a) a single wheel low bracket on the left only
- b) a single wheel high bracket on the right only
- c) a single wheel low bracket on the left and a high bracket on the right

Again, the FalcoTriangle stand offer a real design led cycle parking option to encourage people to cycle.

#### 1 TRIANGLE-10

The Triangle-10 is an eye-catcher in 2 ways. It is a model which is very easy on the eye, whilst a bicycle can be secured to the eye at the top. The triangle motif is featured in the wheel bracket. The model bends towards the user, so that the bicycle can be easily chained to the eye. The wheel brackets and the ring on the Triangle-10 are made of solid steel. The double eyes mean that any bicycle can be secured in accordance with the 1.5 minute standard stipulated by FietsParKeur (a Dutch standard). So there is no need to secure 2 bicycles to 1 eye! Also available in a double-sided design with 4 spaces.

The main tube on the Triangle-10 model has a diameter of 48.3x3.25 mm. The crossbar onto which the wheel bracket is welded has a diameter of 41.5x2 mm.

The wheel bracket is also solid, and has a 13 mm diameter and a 55 mm gap. The optional base plate is 220x6 mm in diameter and has 3 circular fixing holes Ø12mm.



## TRIANGLE-20

The Triangle-20 resembles the Triangle-10, but is characterised by the double tube which bends forwards.

The user's lock can be secured around the tube at any point. On the Triangle-20 each bicycle can again be attached to its own part of the system, so no two bikes are on the same tube.

The main tube has a diameter of 42.4x3.25 mm. The crossbar onto which the wheel bracket is welded has a diameter of 41.5x2 mm.

The wheel bracket is solid and has a 13 mm diameter and a 55 mm gap. The welded base plate is 220x6 mm in diameter and has 3 circular fixing holes Ø12mm.

## TRIANGLE CO ORDINATED PRODUCTS

Benches page no. 16 and 17. Litter bin page no. 85.

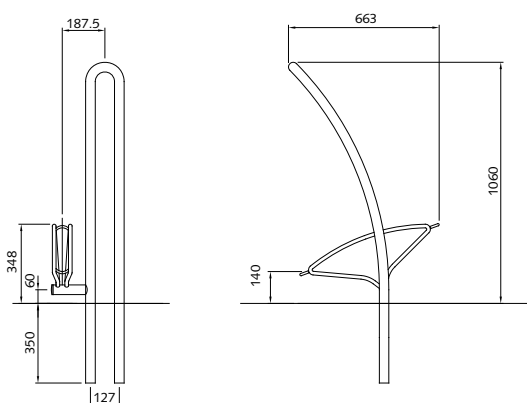
Bollards page no. 118. Shelters page no. 222 and 223.

Cycle parking page no. 168, 176 and 178.

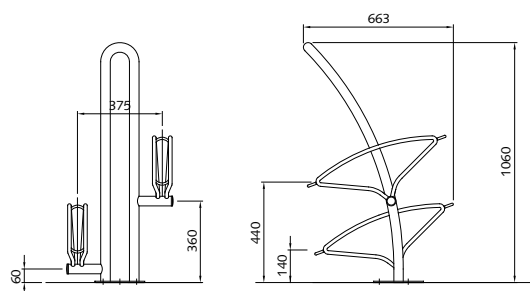
## TRIANGLE-20

Part code	Description
01.555.000	with single-sided 1 low cycle space left, with anchor part
01.555.025	with single-sided 1 low cycle space left, with baseplate Ø 220 mm
01.555.700	additional charge for powder-coated in a RAL colour
01.558.000	with single-sided 1 high cycle space right, with anchor part
01.558.025	with single-sided 1 high cycle space right, with baseplate Ø 220 mm
01.558.700	additional charge for powder-coated in a RAL colour
01.559.000	single-sided high/low, with anchor part
01.559.025	single-sided high/low, with baseplate Ø 220 mm
01.559.700	additional charge for powder-coated in a RAL colour

Triangle-20, Part code 01.555.000



Triangle-20, Part code 01.559.025





**TRIANGLE-30**

Part code	Description
01.560.000	with 1 low cycle space left, with anchor part
01.560.026	with 1 low cycle space left, with baseplates
01.560.700	additional charge for powder-coated in a RAL colour
01.563.000	with 1 high cycle space right, with anchor part
01.563.026	with 1 high cycle space right, with baseplates
01.563.700	additional charge for powder-coated in a RAL colour
01.564.000	with 1 high and 1 low cycle space left and right, with anchor part
01.564.026	with 1 high and 1 low cycle space left and right, with baseplates
01.564.700	additional charge for powder-coated in a RAL colour

**TRIANGLE-30**

The Triangle-30 model differs from the Triangle-10 and 20 versions by using the 'fin' Sheffield stand design, it does however feature the same distinctive triangle wheel bracket. Available in galvanised steel tube or stainless steel.

On the Triangle-30 the main tube has a diameter of 60.3x2.9 mm. The crossbar onto which the wheel bracket is welded has a diameter of 41.5x2 mm. The wheel bracket which is featured on all 3 models is also solid, and has a 13 mm diameter and a 55 mm gap. The 2 triangular welded base plates are 130x150x8 mm with two 9x18 mm slots.

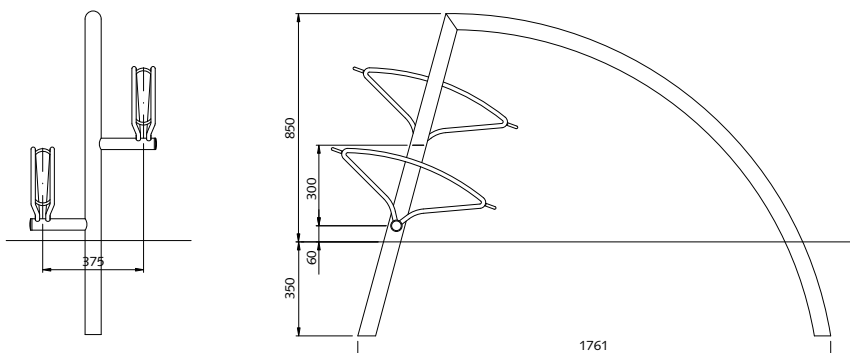
This model is also available without wheel brackets (see page 168), leaving a contemporary styled bicycle leaning bracket.

**TRIANGLE CO ORDINATED PRODUCTS**

Benches page no. 16 and 17. Litter bin page no. 85.  
 Bollards page no. 118. Shelters page no. 222 and 223.  
 Cycle parking systems page no. 168, 176 and 177.



**Triangle-30, Part code 01.564.000**





## PERFECTO

The Perfecto cycle stand is the natural progression from the Triangle stands to the Ideal stands. There are the three standard models available with different wheel supports high and low.

For installation purposes you can obtain the model with an anchor part to grout in or with a base plate. The wheel supports are made of solid steel that makes it very durable.

The Perfecto is a user-friendly system for 99.9% of bicycles used in the U.K., including city, hybrid, racing and mountain bikes. Some specialist mountain bikes would have difficulty using this rack.

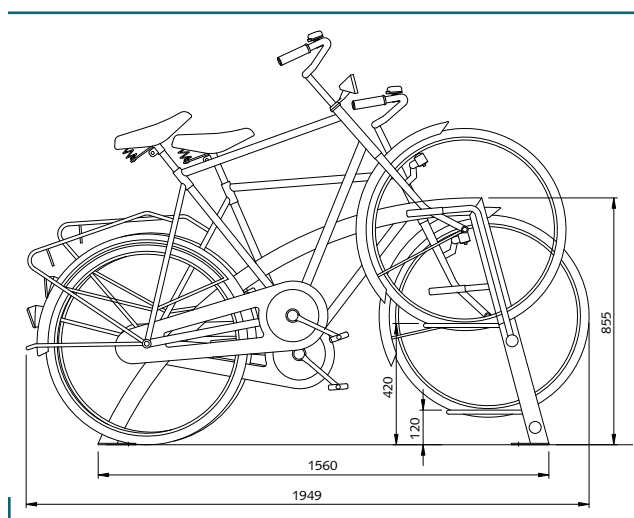
The wheel supports are welded 375 mm apart in width and 300 mm in height so that bicycles do not become entangled in each other. The bicycle can be easily secured with a user's own lock via the forward inclined tube.

The main tube of the Perfecto is 60.3x2.9 mm. The cross tube upon which the wheel supports are welded is 41,5x2 mm. The solid wheel clamp is 20mm thick, and opens up 135 mm for the front fork of the bicycle. The wheel support below consists of a solid 14 mm bar. Moreover, the wheel clamp is covered with a plastic sleeve at the top to protect the lacquer of the front fork. A wheel can never bend because the front fork is supported. When several Perfectos are installed next to each other, then the intermediate distance between the main posts should be at least 750 mm.

All steel products made by Falco are hot-dip galvanised according to the standard BS EN ISO 1461. The addition of a powdercoating not only gives you extra protection but also the choice of a RAL colour to suit your requirements.

## PERFECTO

Part code	Description
01.360.000	with 1 low place left, with anchor piece
01.360.026	with 1 low place left, with base plates
01.360.700	additional charge for powder-coated in a RAL colour
01.363.000	with 1 high place right, with anchor piece
01.363.026	with 1 high place right, with base plates
01.363.700	additional charge for powder-coated in a RAL colour
01.364.000	with high-low places, with anchor piece
01.364.026	with high-low places, with base plates
01.364.700	additional charge for powder-coated in a RAL colour



The thick tube and solid steel parts make sure that the Perfecto has a long lifespan. All these treatments make the Perfecto very durable so that it can decorate your street scene for years.





1	IDEAL CLAMP
Part code	Description
00.741.000	Ideal clamp low, with 235 mm anchor piece
00.744.000	Ideal clamp high, with 235 mm anchor piece
2	IDEAL CLAMP WITH PLATE
Part code	Description
00.745.000	Ideal cycle parking system with cover plate, single edition, for 4 bikes, c.t.c. 375 mm, total length 1500 mm
00.746.000	Ideal cycle parking system with cover plate, left edition, for 4 bikes, c.t.c. 375 mm, total length 1500 mm
00.747.000	Ideal cycle parking system with cover plate, right edition, for 4 bikes, c.t.c. 375 mm, total length 1500 mm
00.748.000	Ideal cycle parking system with cover plate, between frames, for 4 bikes, c.t.c. 375 mm, total length 1500 mm
00.745.700	additional charge for powdercoating in a RAL colour

### 1 IDEAL CLAMP

The Ideal cycle parking system can justifiably be called an ideal stand. The design of the wheel supports means this rack is suitable for virtually any bicycle. A few benefits:

- provides outstanding stability for the bicycle by clamping the front fork;
- the plastic sleeve prevents damage to the front fork;
- does not place a load on the front wheel thanks to plastic covering;
- prevents the bicycle from rolling back;
- is exceptionally sturdy, using round-bar steel Ø 20 mm;
- offers the user the option of securing the bicycle with the welded eye;

The latest version is the Ideal-MB model, designed for ATBs and mountain bikes. The wheel support is extra-wide. In addition to the rack version, Falco also offers the Ideal series as a cycle clamp in both low and high version, which can be alternated. We would recommend a spacing of at least 650 mm for one height, and 375 mm for high-low.

### 2 IDEAL CLAMP WITH PLATE

A frequent problem with cycle parking systems is the unwanted rubbish which accumulates around the racks. For example the leaves in the fall or other wandering rubbish. It does not make the parking of bikes easier. Therefore Falco has found an innovative solution. We made a cover plate which is at the same time a ground plate where, in this case, the Ideal clamps are placed.

The ground plate is a flat plate which is placed under the clamps instead of the standard rack which is usually placed under the cycle clamps.

The Ideal clamps are placed high/low with a centre to centre size of 375 mm. The clamps are based on the 00.744 Ideal clamps.

These racks are hot-dip galvanised and available in a standard RAL colour. It is an intern developed product which assure you of Falco quality. You can choose from a single element, a left element, a right element and a "in between"? element. The last 3 choices you acquire when you choose for a longer length.

Length 1500 mm (per element), depth 388 mm and endlessly to match.



## FALCOSEVEN

The FalcoSeven is a combination of several of Falco's other cycle stands maximising the design features. Mounted on a sturdy tubular steel frame, the stand incorporates the classic 'Ideal' wheel clamp which holds the forks of the front wheel rigid, but also uses the 'eye' design from the Triangle-10 for locking the cycles at a convenient and useful height.

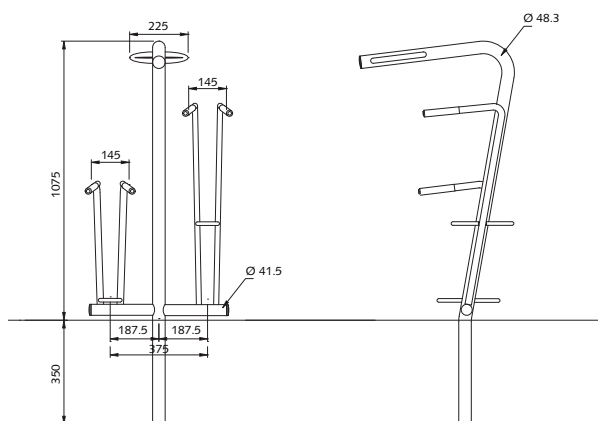
Additionally the FalcoSeven is designed to be mounted either onto a concrete base via integrated base plates or alternatively as a below ground fix; either set into a concrete or supplied with an integral concrete block.

## FALCOSEVEN

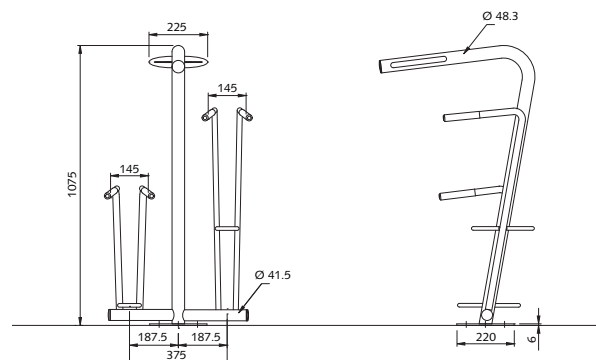
Part code	Description
01.370.000	FalcoSeven with add-on support including chain eye, 1 low and 1 high place, with anchor part of 350 mm to grout in
01.370.025	FalcoSeven with add-on support including chain eye, 1 low and 1 high place, with base round 220x6 mm for surface fix
01.370.700	additional charge for powdercoating in a RAL colour



FalcoSeven, Part code 01.370.000



FalcoSeven, Part code 01.370.025





IDEAL SINGLE SIDED (375MM CTC)	
Part code	Description
00.703.037	Ideal rack, 3 place, c.t.c. 375mm, length 1,125mm
00.703.700	additional charge for powder coating in RAL
00.704.037	Ideal rack, 4 place, c.t.c. 375mm, length 1,500mm
00.704.700	additional charge for powder coating in RAL
00.705.037	Ideal rack, 5 place, c.t.c. 375mm, length 1,875mm
00.705.700	additional charge for powder coating in RAL
00.706.037	Ideal rack, 6 place, c.t.c. 375mm, length 2,250mm
00.706.700	additional charge for powder coating in RAL
00.665.000	Ideal rack mounting bracket

**IDEAL**

The design of the wheel supports means this rack is suitable for virtually any bicycle. A few benefits:

- provides outstanding stability for the bicycle by clamping the front fork;
- the plastic sleeve prevents damage to the front fork;
- does not place a load on the front wheel thanks to plastic covering;
- prevents the bicycle from rolling back;
- is exceptionally sturdy, using round-bar steel Ø 20 mm;
- offers the user the option of securing the bicycle with the welded eye.

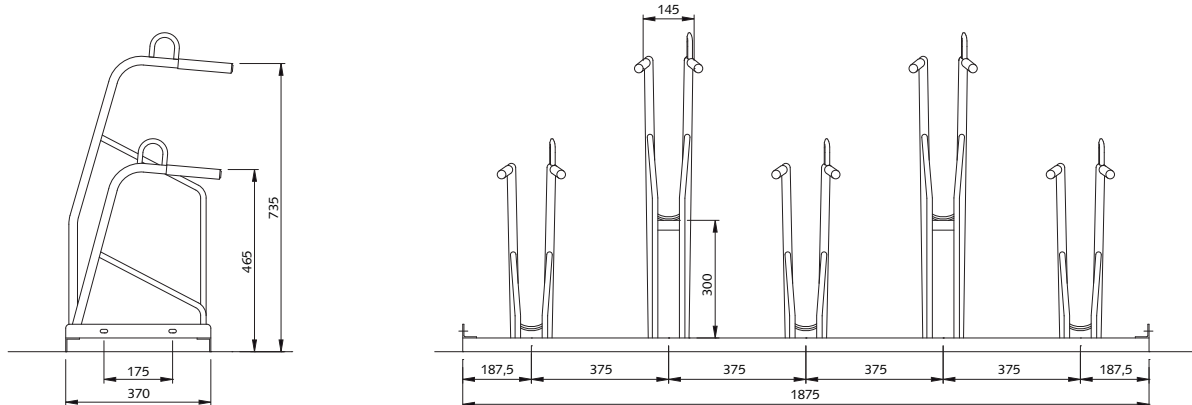
In the Ideal range there are three standard spacing options (centre to centre); 350mm or 375mm for racing bikes and 400mm for mountain bikes. The 350mm must be ordered in quantity.



**IDEAL SINGLE SIDED**

The standard Ideal rack for racing bikes has a centre to centre spacing of 350mm and can be used with or without an add-on support (see next page) to act as a locking point (on even place racks only).

**Ideal, Part code 00.705.037**





## IDEAL-MB

The latest version is the Ideal-MB model, designed for ATBs and mountain bikes. The wheel support is extra-wide. The benefits are seen on page 182.

## IDEAL-MB SINGLE SIDED

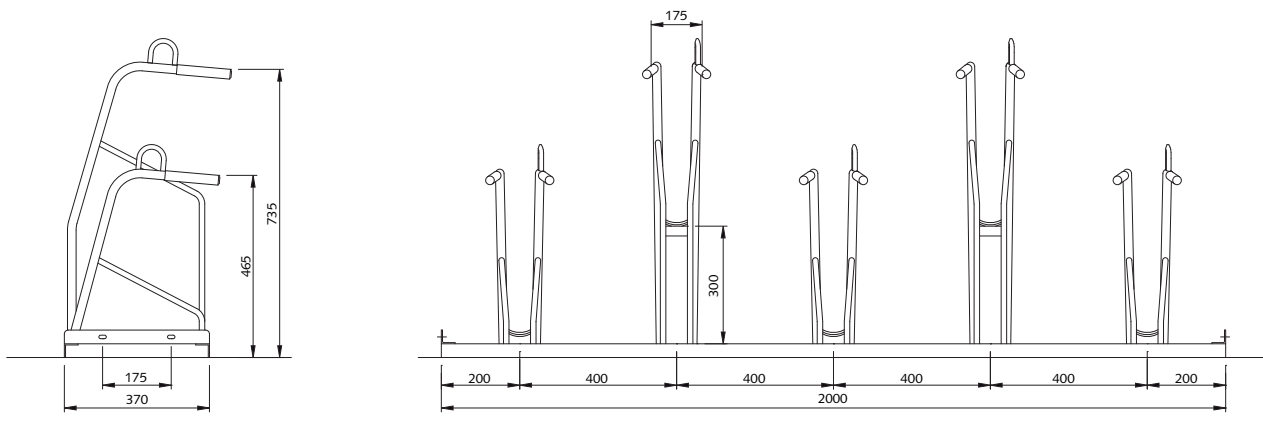
The single-sided model is available with a spacing of 400 mm. The space in the clamp is 155 mm for the front fork. A spacing of 400 mm is required for mountain bikes. For standard bicycles a spacing of 375 mm is sufficient (see page 182).

## IDEAL-MB SINGLE SIDED (400MM CTC)

Part code	Description
00.703.240	Ideal-MB rack, 3 place, c.t.c. 400mm, length 1,200mm
00.703.700	additional charge for powder coating in RAL
00.704.240	Ideal-MB rack, 4 place, c.t.c. 400mm, length 1,600mm
00.704.700	additional charge for powder coating in RAL
00.705.240	Ideal-MB rack, 5 place, c.t.c. 400mm, length 2,000mm
00.705.700	additional charge for powder coating in RAL
00.706.240	Ideal-MB rack, 6 place, c.t.c. 400mm, length 2,400mm
00.706.700	additional charge for powder coating in RAL
00.665.000	mounting bracket



Ideal, Part code 00.705.240





1 IDEAL DOUBLE SIDED	
Part code	Description
00.726.018	Ideal rack, 6 place (3 each side), c.t.c. 375mm, length 1,125mm
00.728.018	Ideal rack, 8 place (3 each side), c.t.c. 375mm, length 1,500mm
2 IDEAL-MB DOUBLE SIDED	
Part code	Description
00.728.220	Ideal-MB rack, 6 place (3 each side), c.t.c. 400mm, length 1,200mm
00.728.220	Ideal-MB rack, 8 place (3 each side), c.t.c. 400mm, length 1,600mm
3 MOUNTING BRACKET	
Part code	Description
00.665.000	Ideal rack mounting bracket

**IDEAL**

The Ideal rack is also available in a 'double sided' version, enabling cycles to be parked from either side in an 'island' orientation. The racks have the same hi-lo design as the single sided version and of course provide the same features and benefits.

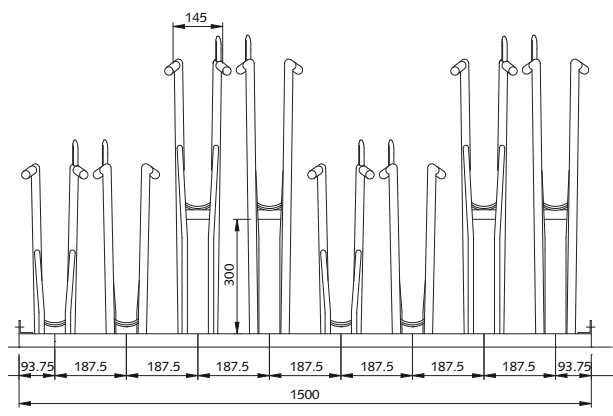
**1 IDEAL DOUBLE SIDED**

Again there are two versions available for racing bikes with cycle spacings either 350mm or 375mm centres. This means in practice that the due to the double sided nature cycles are actually parked 175mm or 187.5mm apart – a great space saving option.

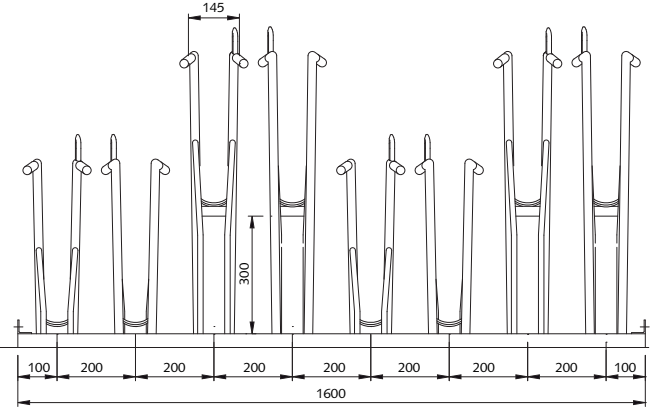
**2 IDEAL-MB DOUBLE SIDED**

The Ideal-MB double sided option is again the Mountain Bike version of the range. With spacings at 400mm c.t.c. (200mm double sided) then there is a great space saving option for cycles with wider tyres.

Ideal, Part code 00.728.018



Ideal, Part code 00.728.220





## 1 ADD-ON SUPPORT

The add-on support is designed to provide a locking point for cycles at saddle/frame height, where security is an issue or simply locking the front wheel is not enough. The add-on support is bolted into Ideal racks which have been pre-drilled to take the support post.

The post is manufactured from robust Ø42mm steel tube. The support is only suitable for racks with even numbers of cycle spaces enabling two cycles to be attached to each post.

## 2 HINGE FOR BICYCLE RACK

In order to remove debris which can collect within the rack frame, we can offer a hinge which attaches to the rack and enables it to be lifted up so that access can be gained to remove items such as rubbish or leaves.

The hinge is only suitable for single sided racks and two per rack should be sufficient.

## 1 IDEAL FOR ADD-ON SUPPORTS

Part code	Description
00.704.637	Ideal rack, 4 place, c.t.c. 375mm, length 1,500mm
00.706.637	Ideal rack, 6 place, c.t.c. 375mm, length 2,250mm

## 1 IDEAL-MB FOR ADD-ON SUPPORTS

Part code	Description
00.704.640	Ideal-MB rack, 4 place, c.t.c. 400mm, length 1,600mm
00.706.640	Ideal-MB rack, 6 place, c.t.c. 400mm, length 2,400mm

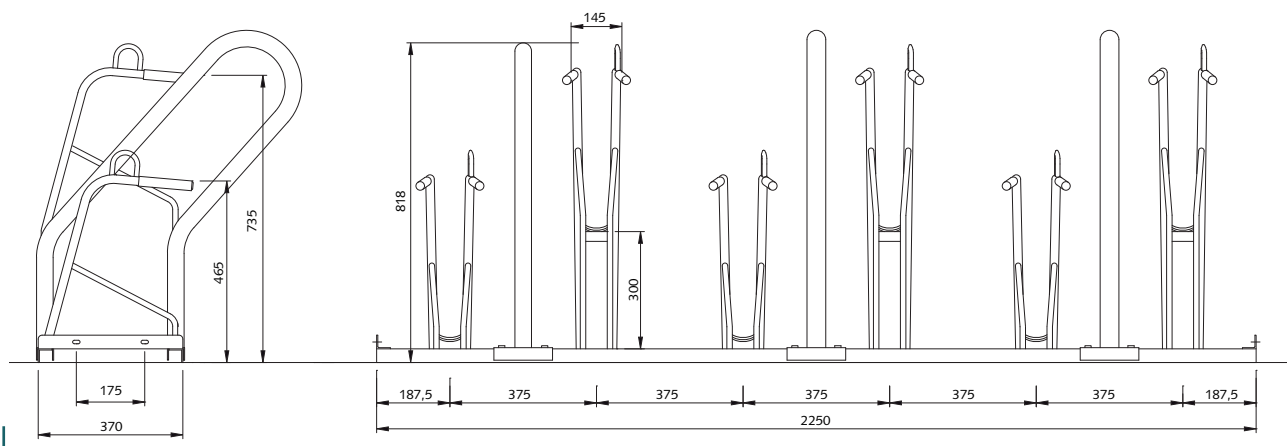
## 1 ADD-ON SUPPORTS

Part code	Description
00.630.000	support for 4 or 6 place rack per two cycle places
00.630.700	additional charge for powder coating in a RAL colour

## 2 HINGE

Part code	Description
00.739.120	for single sided bicycle racks
00.739.700	additional charge for powder coating in a RAL colour

Ideal wit add-on support, Part code 00.706.037 + 2x Part code 00.630.000





**1 | A-11 CYCLE RACK (300MM CTC)**

Part code	Number of Spaces	ctc mm	Length mm
00.004.030	4	300	1,200
00.005.030	5	300	1,500
00.006.030	6	300	1,800
00.007.030	7	300	2,100
00.008.030	8	300	2,400

**1 | A-11MB CYCLE RACK (400MM CTC)**

Part code	Number of Spaces	ctc mm	Length mm
00.003.240	3	400	1,200
00.004.240	4	400	1,600
00.005.240	5	400	2,000
00.006.240	6	400	2,400

**2 | A-11B DOUBLE SIDED (300MM CTC)**

Part code	Number of Spaces	ctc mm	Length mm
00.030.015	10	300	1,500
00.032.015	12	300	1,800
00.033.015	13	300	1,950
00.035.015	15	300	2,250

**2 | A-11B-MB DOUBLE SIDED (400MM CTC)**

Part code	Number of Spaces	ctc mm	Length mm
00.026.220	6	400	1,200
00.028.220	8	400	1,600
00.030.220	10	400	2,000
00.032.220	12	400	2,400

**A-11 RACKS**

Probably the most popular rack in the world! The A-11 is the original cycle rack - the most flexible of designs, seen everywhere and a great economical solution where mass parking is a requirement.

Manufactured from robust angle iron, the A-11 alternates wheel positioning high and low to make parking easier, plus a huge number of options and variants (not all listed here).

**1 | A-11 STANDARD CYCLE RACK**

The standard A-11 rack for racing bikes is available in two variants, with spacings either 300mm or 375mm centres.

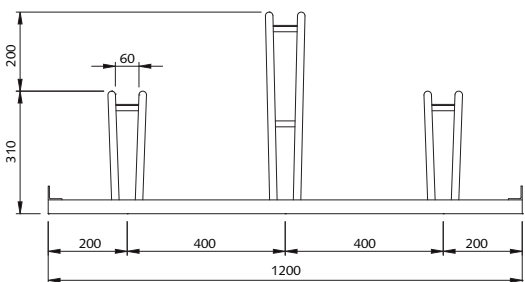
Available as a single and double sided version.

**2 | A-11MB MOUNTAIN BIKE RACK**

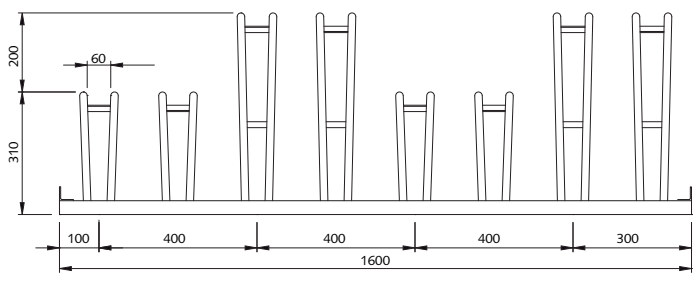
The 'MB' version has slightly wider tube spacings to accommodate the larger tyres on mountain bikes. Additionally the spacing of the cycle places is increased with 400mm, to reduce the likelihood of handle bars clashing.

Available as a single or double sided version.

**A-11MB, Part code 00.003.240**



**A-11B-MB, Part code 00.028.220**





The Ideal (page 182) and A-11 single-sided (page 186) racks with a centre to centre distance of 375 (A-11 and Ideal) or 400 mm (A-11MB and Ideal-MB) can be equipped with add-on supports or fastening posts.

The racks need to be modified for this. In order to ensure quality, the racks are drilled before being hot-dip galvanised; the supports or posts are only fitted afterwards. The racks on which this is possible are listed on this page.

### 1 FASTENING POST

The fastening posts are fitted in the same way as the add-on support. Equipped with a 12 mm solid loop to secure the bicycle lock. Fastening posts are made of 40x40 mm tubing and hot-dip galvanised. A simple and affordable alternative to the add-on support. In contradiction to the add-on support this fastening post can also be applied to the A-11B double-sided racks!

### 2 ADD-ON SUPPORT (STRAIGHT)

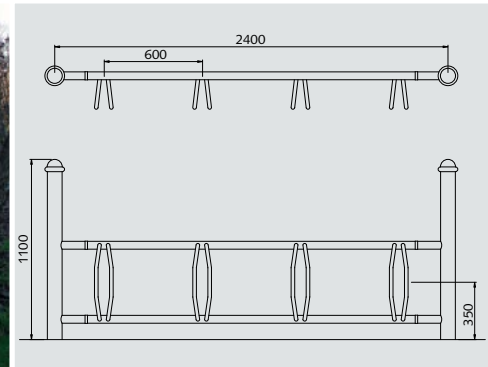
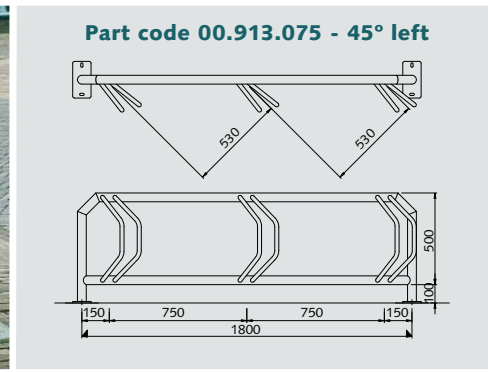
The add-on support is made of 47.5 mm tubing and mounted on the angle iron or the rack with bolts. Only suitable for racks with an even number of spaces (see list). The protruding section means that the cyclist can remain behind the bicycle.

### 3 ADD-ON SUPPORT (ANGLED)

The add-on support is made of 42.4x3.25 mm tubing and mounted on the angle iron or the rack with bolts. Only suitable for racks with an even number of spaces. The protruding section means that the cyclist can remain behind the bicycle.

A-11 CYCLE RACK			
Part code	Number of Spaces	ctc mm	Length mm
00.004.637	4	375	1,500
00.006.637	6	375	2,250
00.008.637	8	375	3,000
A-11MB CYCLE RACK			
Part code	Number of Spaces	ctc mm	Length mm
00.004.640	4	400	1,600
00.006.640	6	400	2,400
1 FASTENING POST			
Part code	Description		
00.610.000	post with strut		
00.610.700	additional charge for powder coating in a RAL colour		
2 ADD-ON SUPPORT (STRAIGHT)			
Part code	Description		
00.620.000	support height 870 mm, support width 985 mm		
00.620.700	additional charge for powder coating in a RAL colour		
13 ADD-ON SUPPORT (ANGLED)			
Part code	Description		
00.630.000	for installation on single-sided rack per two places (high-low = 1 support)		
00.630.700	additional charge for powder coating in a RAL colour		





1	VELO
Part code	Description
00.903.060	rack for 3 bicycles, length 1,500 mm, 90°
00.904.060	rack for 4 bicycles, length 2,100 mm, 90°
00.905.060	rack for 5 bicycles, length 2,700 mm, 90°
00.913.075	rack for 3 bicycles, length 1,800 mm, 45° left
00.913.175	rack for 3 bicycles, length 1,800 mm, 45° right
00.914.075	rack for 4 bicycles, length 2,550 mm, 45° left
00.914.175	rack for 4 bicycles, length 2,550 mm, 45° right
00.915.075	rack for 5 bicycles, length 3,300 mm, 45° left
00.915.175	rack for 5 bicycles, length 3,300 mm, 45° right
2	BOWLER
Part code	Description
00.953.060	rack for 3 bicycles, length 1,800 mm, 90°
00.954.060	rack for 4 bicycles, length 2,400 mm, 90°
00.963.075	rack for 3 bicycles, length 2,250 mm, 45°
00.964.075	rack for 4 bicycles, length 3,000 mm, 45°
00.976.060	rack for 2x3 bicycles, length 1,800 mm, 90°
00.978.060	rack for 2x4 bicycles, length 2,400 mm, 90°
00.980.060	rack for 2x5 bicycles, length 3,000 mm, 90°
02.976.000	starter post, total height 1,220 mm
02.976.020	intermediate post, total height 1,220 mm
02.976.040	T-post, total height 1,220 mm
02.976.060	angle post, total height 1,220 mm
02.976.700	additional charge for powdercoating in a RAL colour

**1 VELO**

The Velo rack is a great, flexible and simple design. Based on the Falco Almelo range it uses the single wheel clamp and incorporates it into a low cost tubular steel frame. The wheel clamps are all at the same level and positioned 600mm apart. The Velo is equipped as standard with a base plate for surface mounting to a concrete base.

The rack is suited for both public and private use with the rigid steel frame making it highly resistant to vandalism. Additionally, the shape and style of the rack makes them able to double-up as barriers or guide rails.

The main structure is manufactured from Ø48mm tubing, whilst the conical wheel supports are made of solid round steel bar. The upright supports come with welded base plates as standard.

**2 BOWLER**

The Bowler cycle rack takes ideas from both the Velo and Almelo racks and incorporates them into the 'Bowler' street furniture style.

In this instance the Almelo wheel clamps are arranged as per the Velo design between Bowler posts. The benefit with the Bowler style is that intermediate posts can be added a required to create a continuous run of cycle parking.

The Bowler rack is simple to assemble and is mounted as a below ground fix, but is also available with base plates if required. Additionally the rack can be incorporated with other barriers and seating product in the Bowler range to create a harmonious street scene.

**BOWLER CO ORDINATED PRODUCTS**

- Guide rails page no. 144 and 145.
- Litter bin page no. 100.
- Bollards page no. 112 and 113.



## 1 ALMELO

The Almelo cycle parking range takes its name from the town where it was first used. The wheel clamps - a standard design enabling only standard commuter cycles to be parked – are mounted to two parallel steel tubes which are in turn welded to the ‘U’ shaped end frames, also of robust steel tube.

Mainly suitable for normal commuter bicycles. It will not take extra thick or mountain bike tyres. The system consists of U-supports (uprights) and cycle racks. Each combination starts with U-supports (Part code 00.950.000) and a cycle rack. This can then be expanded with intermediate uprights (Part code 00.950.010) and a matching number of cycle racks.

The Almelo model is also available as a double-sided model. With the same benefits, of course!

## 2 FALCOCITY

The FalcoCity model is a rack which combines the Almelo and Ideal (page 180) models. And now even with stainless steel uprights! The benefits of both models come fully into their own on the FalcoCity model. This cycle rack is highly suitable for all kinds of bicycles, regardless of the tyre width.

The uprights are in stainless steel 316, corn 320.

Some people felt that the lack of an add-on support was a defect. This variant provides for this. The system consists of long or short uprights and start, end and intermediate uprights with the rack element. This enables you to create a solution for any situation and of any length.

Available for 3, 4 or 5 bicycles.

Please note minimum order quantity of 5 racks.

1 ALMELO	
Part code	Description
00.950.000	U-support, end or start
00.950.010	U-support, intermediate
00.950.700	additional charge for powdercoating in a RAL colour
00.953.060	rack for 3 bicycles, length 1,800 mm
00.954.060	rack for 4 bicycles, length 2,400 mm
00.955.060	rack for 5 bicycles, length 3,000 mm
00.976.060	rack for 2x3 bicycles, length 1,800 mm
00.978.060	rack for 2x4 bicycles, length 2,400 mm
00.980.060	rack for 2x5 bicycles, length 3,000 mm
2 FALCOCITY	
Part code	Uprights, stainless steel
05.085.200	short model, start or end support, with base plates
05.085.210	short model, start or end support, with anchor parts
05.085.300	short model, intermediate support, with base plates
05.085.310	short model, intermediate support, with anchor parts
Part code	FalcoCity racks
00.863.060	FalcoCity rack for 3 bicycles, length 1800 mm, without add-on support
00.863.260	FalcoCity rack for 3 bicycles, length 1800 mm, with add-on support
00.864.060	FalcoCity rack for 4 bicycles, length 2400 mm, without add-on support
00.864.260	FalcoCity rack for 4 bicycles, length 2400 mm, with add-on support







FALCOBICI	
Part code	Description
01.050.000	FalcoBici, length 1800 mm
01.050.700	addition charge for powdercoating in a RAL colour
01.051.000	FalcoBici, length 2400 mm
01.051.700	addition charge for powdercoating in a RAL colour
01.052.000	FalcoBici, length 3000 mm
01.052.700	addition charge for powdercoating in a RAL colour
01.055.000	concrete support 734.3x120 mm
01.057.000	steel support 715 mm
01.057.700	addition charge for powdercoating in a RAL colour

**FALCOBICI**

The FalcoBici is a very European style of cycle parking system. The miniature 'toast rack' effect is created from mounting a series of wave shaped steel tubes 55mm apart on two cross-struts. The cross-struts are mounted higher at the back and lower at the front to create a cradle in which to rest the bike wheel. The whole structure is then mounted on two end supports.

The FalcoBici is available in three standard sizes to house 3, 4 or 5 cycles at 600mm between each bike.

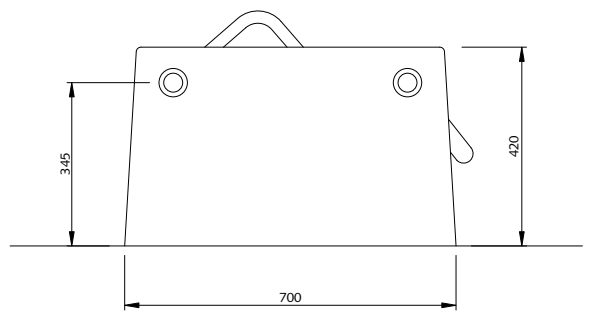
The FalcoBici offers two different end support styles as either traditional concrete blocks (photo's 1A) or as 'n' profile steel sections manufactured from square box section (photo's 1B).

All steelwork comes hot dip galvanised as standard and can be additionally powder coated in any of the 192 RAL colours if required.

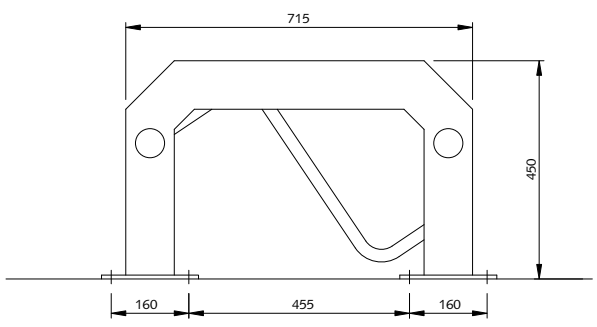
Orders must be for quantities of 5 or more.



**Part code 01.055.000 - concrete support**



**Part code 01.057.000 - steel support**





## 1 F-1 CYCLE WALL CLAMP

Sturdy cycle wall clamp with wheel supports made of 41.5 mm tubing and solid 12 mm steel. Hot-dip galvanised.

Available in

90° and 45°. Depth with bicycle is then 2,000 mm and 1,500 mm respectively. We recommend that the clamps be fitted at a centre to centre distance of 650 mm at 90° and 920 mm at 45°.

The centre of the clamp must be mounted 350 mm above the ground. Stainless steel mounting bolts can be ordered separately.

## 2 F-7MS AND F-7MBS CYCLE WALL CLAMP

Heavy duty cycle wall clamp made of solid 20 mm steel welded onto a 230x100 mm mounting plate which is 8 mm thick and has been hot-dip galvanised. Equipped with 2 fixing holes of 13 mm diameter. Available in 90° (photo 2A) and 45° (photo 2B). Depth with bicycle is then 2,000 mm and 1,500 mm respectively.

We recommend that the clamps be fitted at a centre to centre distance of 650 mm at 90° and 920 mm at 45°. The centre of the clamp must be mounted 350 mm above the ground.

## 1 F-1 CYCLE WALL CLAMP

Part code	Description
01.120.090	F-1 wall clamp in 90°
01.120.045	F-1 wall clamp in 45°

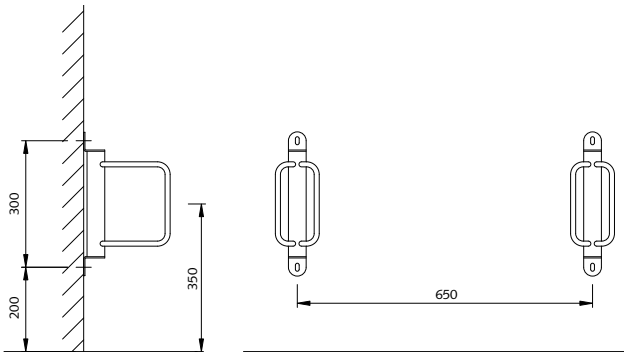
## 2 F-7MS AND F-7MBS CYCLE WALL CLAMP

Part code	Description
01.141.090	F-7MS wall clamp in 90°
01.141.045	F-7MS wall clamp in 45°
01.148.090	F-7MBS wall clamp for mountain bikes, in 90°
01.148.045	F-7MBS wall clamp for mountain bikes, in 45°

A version suitable for mountain bikes (F-7MBS) is now also available. We recommend that these clamps be fitted at a centre to centre distance of 750 mm at 90° and 1060 mm at 45°.

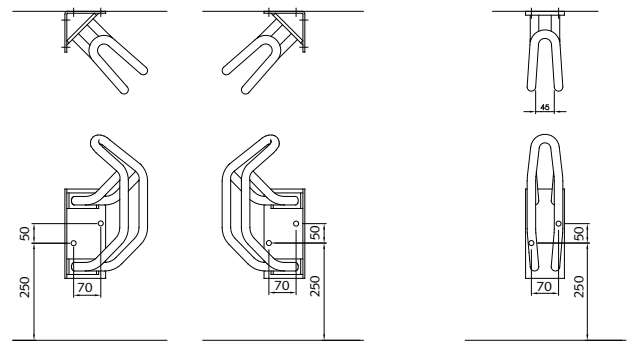
F-7MS is also available with a gutter for high low positions to save space.

### F-1, Part code 01.120.090



### F-7MS Part code 01.141.045

### Part code 01.141.090



1

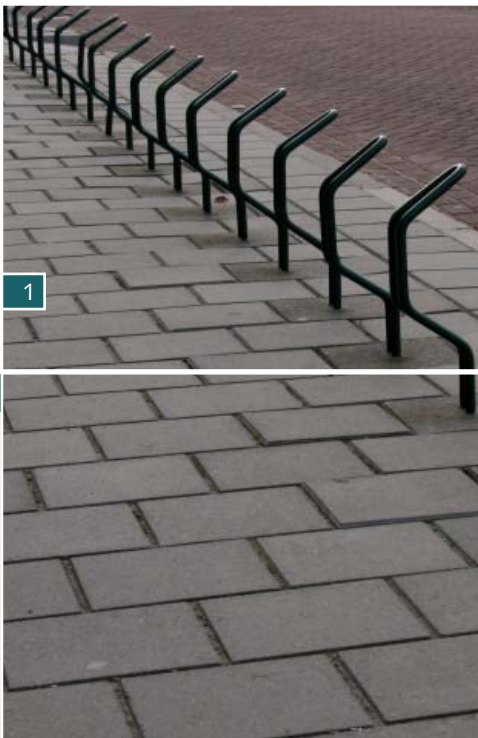


2A



2B





1 F-7 SINGLE CYCLE CLAMP	
Part code	Description
01.160.000	with 150 mm anchor piece
01.160.171	with 200 mm anchor piece
01.160.700	additional charge for powdercoating in a RAL colour

2 F-8 DOUBLE CYCLE CLAMP	
Part code	Description
01.162.000	with 150 mm anchor piece
01.162.171	with 200 mm anchor piece
01.162.700	additional charge for powdercoating in a RAL colour

**CYCLE CLAMPS**

The F-7 and F-8 cycle clamps are general purpose, floor mounted, low cost solutions for areas where vandalism and theft are not an issue. A great economical way to provide cycle parking in mass numbers where standard leaning hoops such as Sheffield stands are not appropriate.

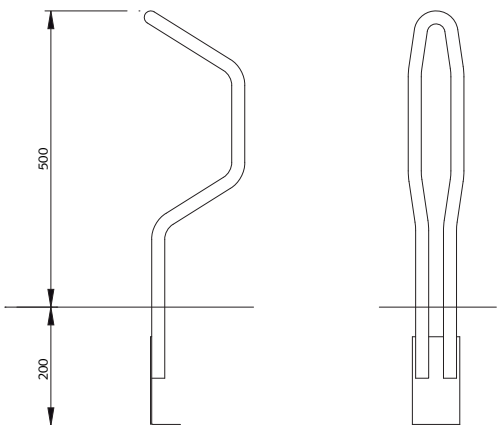
**1 F-7 SINGLE CYCLE CLAMP**

Heavy duty single cycle clamp made of solid 20 mm steel. Hot-dip galvanised. Equipped with 120 mm anchor piece or with special anchor. The support diameter of 20 mm solid steel guarantees a long lifespan.

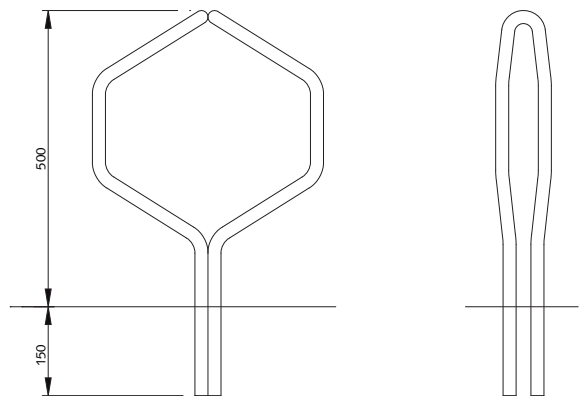
**2 F-8 DOUBLE CYCLE CLAMP**

Heavy duty double cycle clamp made of solid 20 mm steel. Hot-dip galvanised. Basically similar to the F-7 model. The insertion depth on the F-8 is increased to 195 mm. The support diameter of 20 mm solid steel guarantees a long lifespan. Also available without concrete base or with an extra-heavy base.

**F-7, Part code 01.160.171**



**F-8, Part code 01.162.000**





## F-10(M) AND F-11(M) CYCLE CLAMP

A range of cycle clamps suitable for all types of front wheel up to a tyre width of 50 mm. Also suitable for mountain bikes. This is due to the special design of the wheel support which has been hot-dip galvanised. This series features a low and a high clamp: the F-10(M) and F-11(M) respectively.

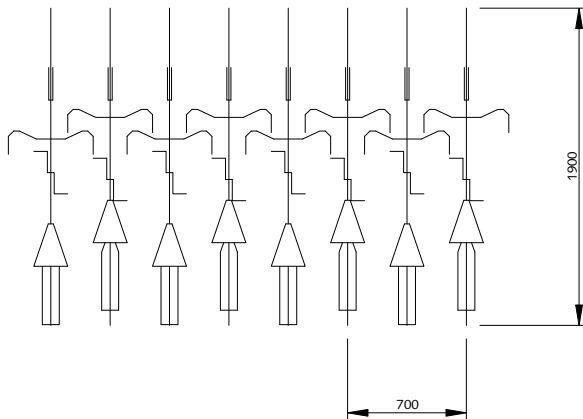
These models are often alternated in order to give the benefit of high/low. We thereby recommend a centre to centre distance of 375 mm. When using only low clamps, the recommended distance is 650 mm. Equipped with 150 mm anchor as standard.

The clamps can be installed at 90° or 45° depending on the orientation required. Both products are available in two versions: in Ø22mm galvanised steel tube as F-10 / F-11 or in Ø20mm solid round bar as F-10M / F-11M.

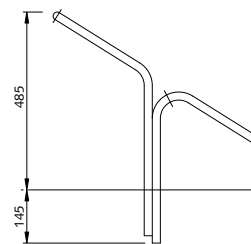
## F-10(M) AND F-11(M) CYCLE CLAMP

Part code	Description
01.170.000	single-sided low cycle clamp F-10, with 150 mm anchor piece
01.171.000	single-sided high cycle clamp F-11, with 150 mm anchor piece
01.175.000	single-sided low cycle clamp F-10M, with 150 mm anchor piece
01.176.000	single-sided high cycle clamp F-11M, with 150 mm anchor piece
01.175.171	solid single-sided low cycle clamp F-10M, with welded angle iron 150x50x80x2 mm, length 225 mm
01.176.171	solid single-sided high cycle clamp F-11M, with welded angle iron 150x50x80x2 mm, length 225 mm

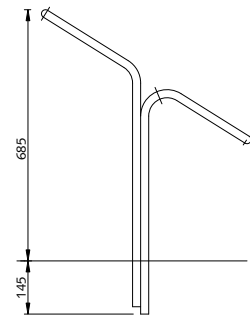
single-sided high/low  
centre to centre 350 mm



F-10(M)  
Part code 01.170.000



F-11(M)  
Part code 01.171.000





FALCOSLIM	
Part code	Description
00.500.000	start/end post, profile 100x50 mm on base plate 200x100 mm
00.501.000	intermediary post, profile 100x50 mm on base plate 200x100 mm
00.502.000	end support suitable for wall mounting
00.504.000	intermediate support suitable for wall mounting
00.505.000	cross bar, length 300 cm
00.505.010	cross bar, up to a length of 150 cm
00.505.020	cross bar, up to a length of 299 cm
00.509.000	support for handlebar with protection plastic, distance between places is flexible

**FALCOSLIM**

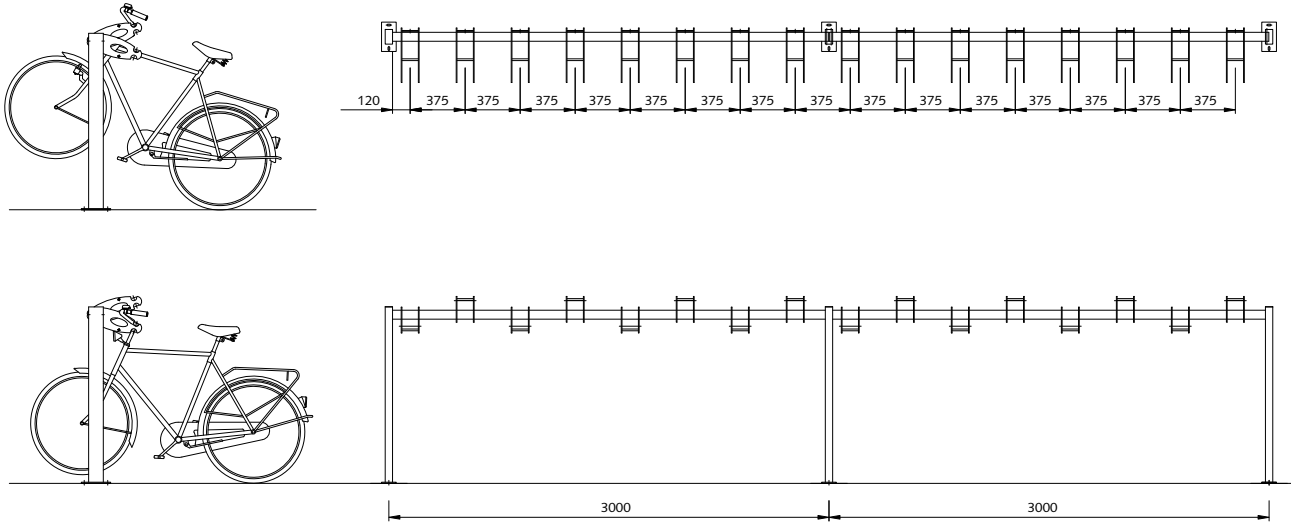
The FalcoSlim is a great option to all those cycle racks which clutter the floor collecting leaves and rubbish. The design suspends the cycle by the handle bars so that the front wheel is not clamped with the potential for distortion.

Suspended from two bolt down uprights, the box section cross member houses a number of handle bar supports, which have two features; first a profiled hole in them for passing the cycle lock through and second a rubber sheathing to protect the handle bars.

**1 FALCOSLIM SINGLE SIDED**

The single sided version is available with two standard size cross members of 150mm and 300mm plus a variable one up to 299mm so that the system can be made bespoke to your space availability. As well as the standard floor mounted version, the single sided FalcoSlim is also available as a wall mounted option using wall supports – ask our technical sales staff for details.

**FalcoSlim, single sided**





## 2 FALCOSLIM DOUBLE SIDED

This model has a high-low system so that the available space is used to maximum effect. The distance between the handlebar hooks is not pre-determined, so can be set to suit its' surroundings.

The hook upon which the handlebar rests is provided with a plastic cover to prevent scratches. Whereas the hook can be mounted variable, the cross bar can also be used double-sided.

Up to 8 bicycles can be hung single-sided over a length of 3,000 mm and 15 bicycles double-sidedly!

The hooks for the handlebars are pushed over the cross-bar and then fixed with a bolt.

The cross-bar will be mounted between two columns which can be fixed to the ground with base plates.

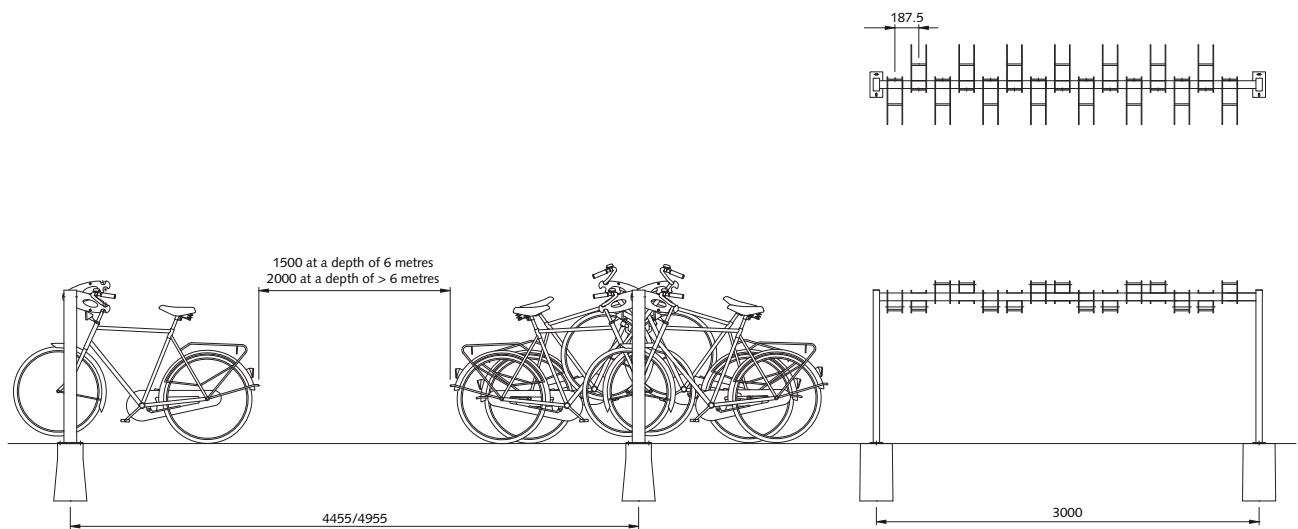
The cross bar has got a profile of 60x60 mm and is available up to a length of 3,000 mm.

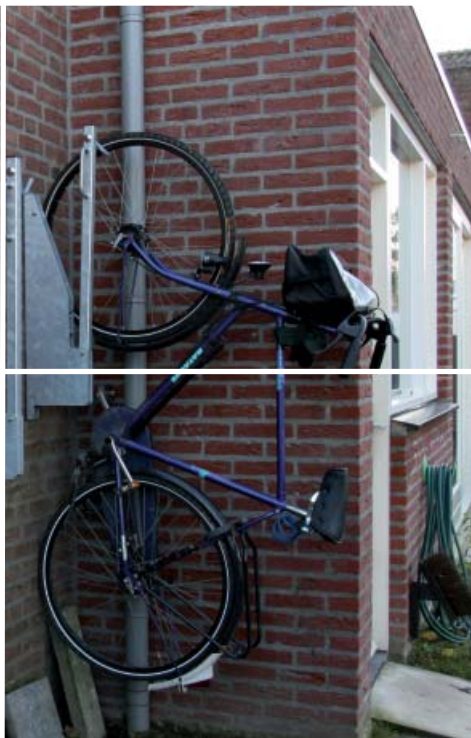
The columns have a profile of 100x50 mm with a base plate of 200x100 mm on ground level.

All steel parts are hot dip galvanised according to the standard EN-ISO 1461.

The steel parts can be powdercoated, but we do not recommend the cross-bar to be powdercoated because of the slidable hooks.

### FalcoSlim, double sided



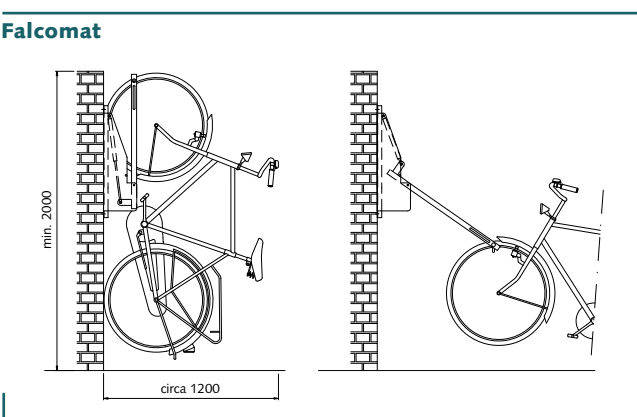


1	FALCOMAT
Part code	Description
01.900.000	Falcomat for 1 bicycle to be mounted to a wall
01.900.700	additional charge for powdercoating in a RAL colour
2	HANGING RAIL
Part code	Description
01.094.000	complete set with 4 hooks high/low for mounting to a ceiling
01.094.100	complete set with 4 hooks high/low for mounting to a wall

**1 FALCOMAT**

The FalcoMat is a very popular wall mounted cycle parking unit and a great space saving solution. Using an ingenious gas strut assisted mechanism, the FalcoMat makes vertical mounting of cycles very easy, plus it takes up a minimum of space.

Simply attach the front wheel to the hook, pull the bicycle towards you and the bicycle is automatically raised! To retrieve the cycle, just pull gently on the saddle and the bicycle then drops down and can be unhooked. Robust, secure and space saving, the FalcoMat is easily mounted onto the wall with just two bolts.



**2 HANGING RAIL**

A much more budget option for the mounting of cycles vertically, the Hanging Rail is a very simple and practical parking system.

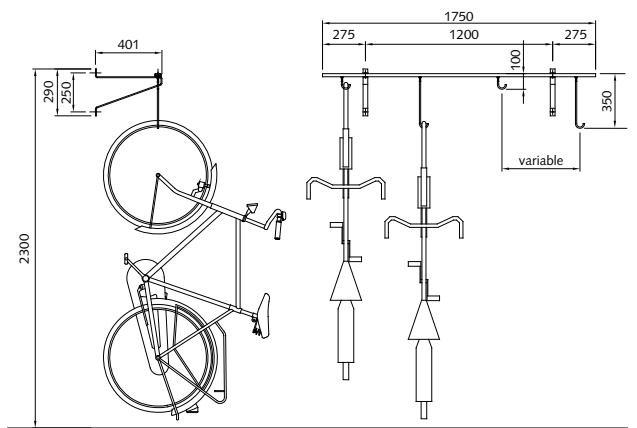
The system consists of 4 stainless steel hooks mounted on a rail. Bicycles can be suspended by their front wheel from the hooks. The rail can be secured to a wall or ceiling by means of 2 supports. Because the bicycles are suspended, little depth is needed. This makes the hanging rail extremely suitable for smaller spaces such as cellars and/or sheds.

Any brick wall will have a space for this hanging rail. The hanging rail is hot-dip galvanised and is 1,750 mm long. The hooks can be moved along the rail, so that you can choose the distance between the bicycles.

The fact that the hooks (solid 8 mm) are different lengths means that the bicycles can be slid in adjustable proximity.

With the addition of a simple F1 wall clamp at the level of the lower wheel, the unit becomes lockable and secure.

**hanging rail, Part code 01.094.100**





## FALCOCARROUSSELOMAT

The FalcoCarrouseloMat is the original space saving cycle parking system. Within a 3m x 3m space it is possible to house 12 cycles - making it a really viable option where space is at a premium! Manufactured from 12 automatic FalcoMat's mounted on a rotating central column, the CarrouseloMat enables cyclists to rotate the structure find an empty space and quickly and easily park their bike.

Additionally cycles can also be secured using the handle of the FalcoMat providing peace of mind in in-secure areas.

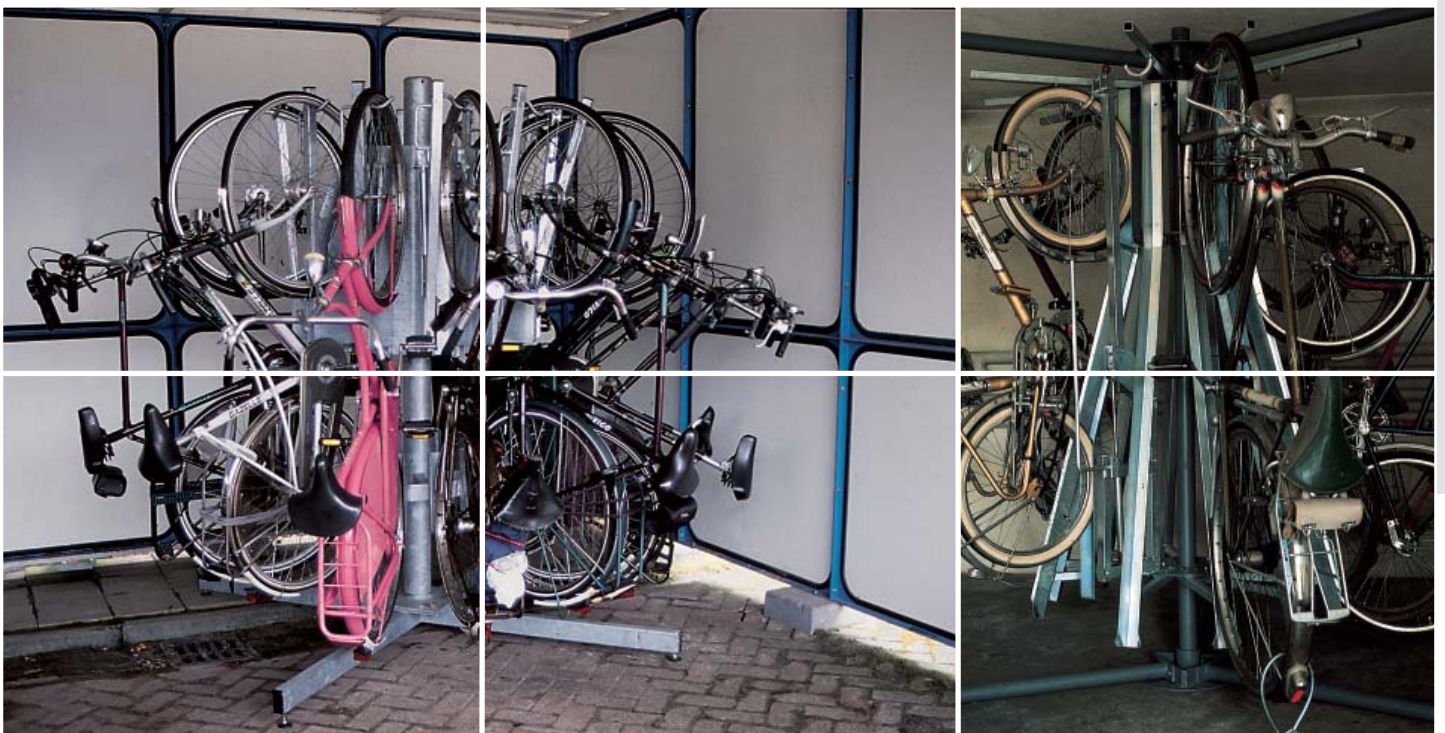
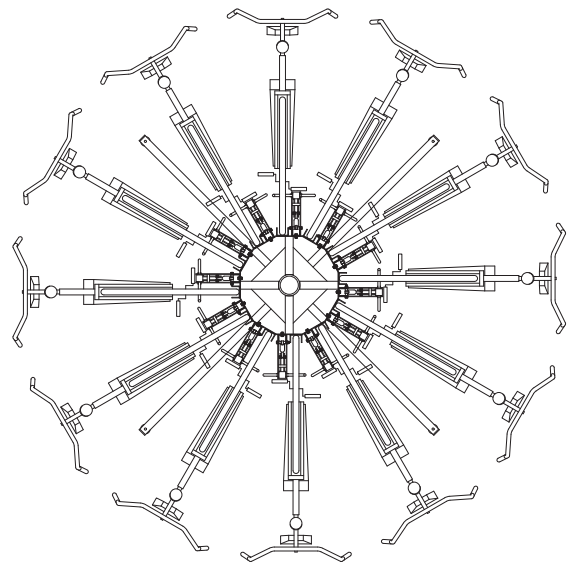
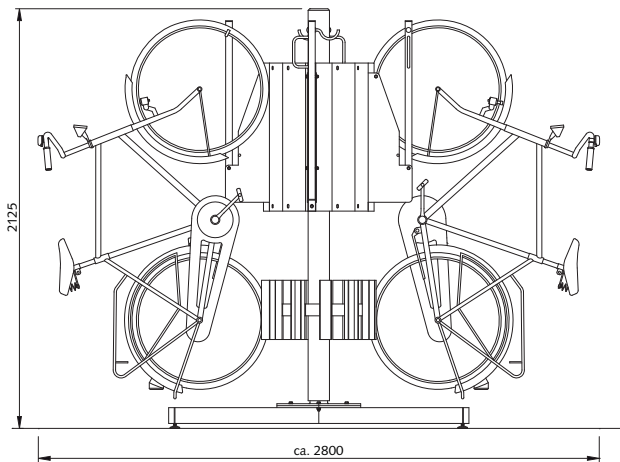
The FalcoCarrouselomat is available in two versions; the standard model is a free standing option where the support legs have adjustable plastic feet to adapt to uneven surfaces, alternatively where there is a water flat concrete base or sunken pillars, the unit can be bolted securely to the ground using stainless steel hardware.

## FALCOCARROUSSELOMAT

Part code	Description
01.900.300	CarouselloMat, main column with 12 automatic bicycle lifts FalcoMat, free standing
01.900.300	CarouselloMat, main column with 12 automatic bicycle lifts FalcoMat, to be mounted to the floor

### FalcoCarrouseloMat

### top view





FALCOFRIENDLY	
Part code	Description
00.304.000	two storey bicycle rack for 4 bikes, single-sided, with rack below, upper rack with gutter, c.t.c. 40 cm, freestanding, min. free height 270 cm
00.304.700	additional charge for powdercoating of unit, handlebars excluded, in RAL color
00.304.710	additional charge powdercoating 2 hand bars upper places in RAL 3000, fire red

**FALCOFRIENDLY**

The FalcoFriendly is a very innovative and user friendly ‘two tier’ cycle parking system. You can house twice as many bikes in the same area as any standard cycle rack. As its name suggests, the great benefit of the FalcoFriendly is its user-friendliness – there is no lifting of the cycle involved at all.

The FalcoFriendly is a great innovation in cycle parking and with the cost of property now a key issue in many of our major towns and cities, by halving the amount of space required by planners for cycle parking, developers can achieve huge savings! For example traditionally 100 cycle spaces would require a width of 40m with the FalcoFriendly you would require only 20m saving 50%!



Dimensions of the system:

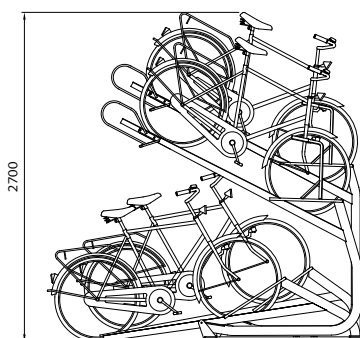
Width: 800 mm

Depth: 2150 mm

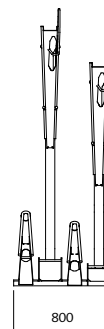
Height: 2256 mm

Necessary space before the system: 2950 mm.

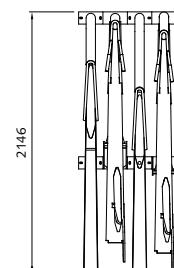
side view



front view



top view





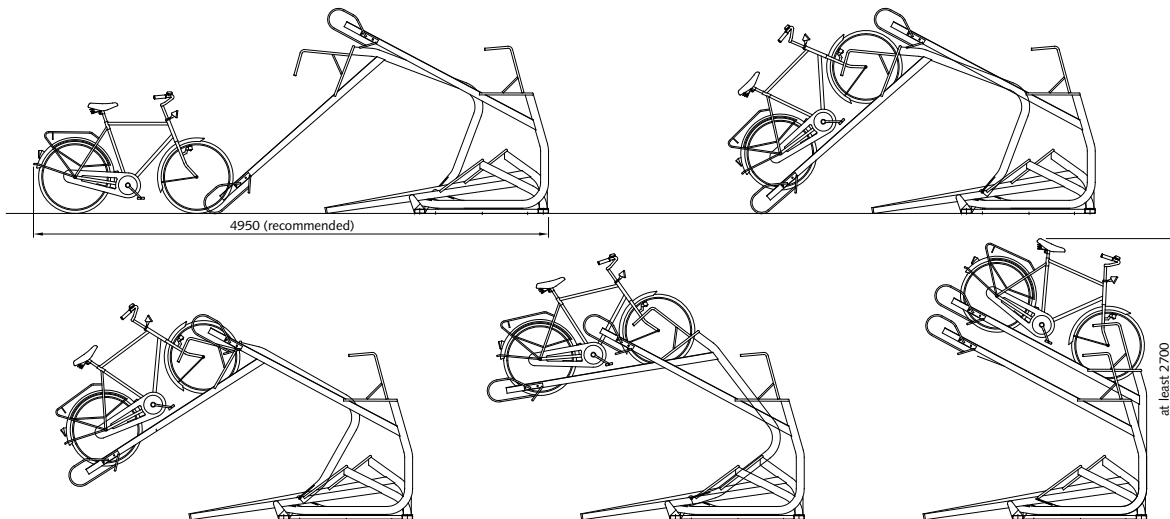
## FALCOFRIENDLY

Either park your bicycle in the lower tier as you would with a standard 'Ideal' cycle rack or, for the upper tier, simply roll the bicycle into the guides and lift the handle! The cycle is carried up and over to a position of rest using the unique mechanism which is assisted using gas struts so that there is very little effort required. A damper ensures that the cycle comes to rest smoothly.

A single unit of FalcoFriendly consists of four cycle places (two low, two high) with a width of just 800mm or 200mm per cycle. Using a heavy duty hot dip galvanised steel framework, the system is easily bolted to a flat concrete base and provides a sturdy and robust structure.

The units can be placed side by side to create a continuous run – ideal for use in car parks and basements - or alternatively back to back to create a double sided effect. The FalcoFriendly system requires a free height of 2,800mm to allow for the upper tier cycles to clear those on the lower rack.

All steel elements of the FalcoFriendly system are hot dip galvanised to BS EN ISO 1461. Additionally, the whole structure can then be polyester powder coated in any of the 192 RAL colours and often the upper tier handles are coloured in RAL 3000 Flame Red to help users.





FALCOSAFE	
Part code	Description
01.801.000	basic cycle locker, for 1 bicycle, 2 side walls
01.805.000	extension cycle locker, for 1 bicycle, 1 side wall
01.821.000	basic moped locker, for 1 moped, 2 side walls
01.825.000	extension moped locker, for 1 moped, 1 side wall
01.805.xxx*	additional charge for powdercoating in a RAL colour
01.805.xxx*	additional charge for powdercoating in a RAL colour
01.805.xxx*	additional charge for powdercoating in a RAL colour
xx.xxx.700*	additional charge for powder-coating the steel structure, excl. roof plate, side wall cross-bars, wall plates, wheel gutter and wheel clamp
xx.xxx.710*	additional charge for powder-coating the roof plate (incl. smooth triangular plate over door and rear)
xx.xxx.720*	additional charge for powder-coating the perforated plate used for the door, rear, side walls and side wall cross-bars

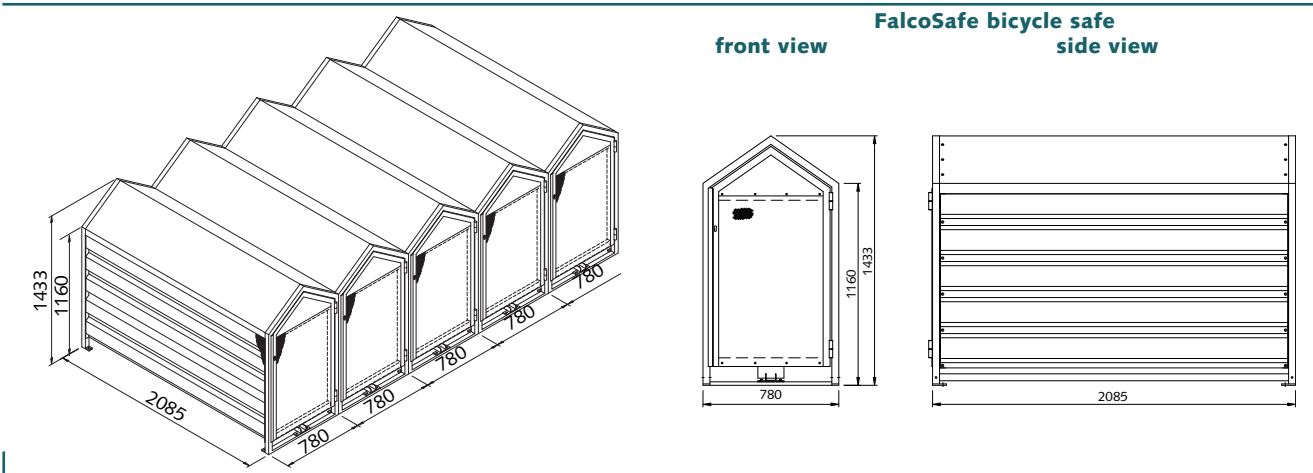
**FALCOSAFE LOCKER**

The FalcoSafe locker is a robust and secure cycle storage unit and comes in two standard sizes; one for cycles and one for mopeds. The bicycle or moped is protected within the locker from the destructive effects of vandals and weather.

The perforated sides mean that the contents remain visible for security whilst eliminating unpleasant odours through good ventilation. Side wall perforated panels are contoured for extra strength. The individual design is completed with the gable roof; to deter roof access. A huge variety of attractive colour combinations are also available.

The bicycle is pushed into the locker along a channel up to the cycle clamp. Any number of cycle lockers can be linked together. In addition, the lockers can also be positioned back to back. The great flexibility allows you to choose your own combinations and lengths! The standard locker is suitable for securing with a user's padlock and with coin return, coin retain and Euro-profile lock options.

The lockers come with a hasp and staple as standard for use with a padlock, however other options are available on request including Euro-cylinder integral lock and coin return mechanism.





## FALCOSAFE ROUND LOCKER

New to our product range is the FalcoSafe Round. This FalcoSafe locker has the same robust properties and construction as the popular standard FalcoSafe locker but in this case it sports two new features.

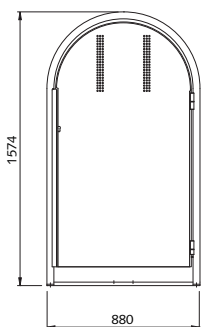
The rounded roof profile softens the look of the product making it much more design-led. This is ideal where clients are looking for products to put in a high profile areas such as bus or railway stations and wish to promote or highlight the service with a non-utilitarian looking product. A second feature is the tapered design of the housing, this means the lockers can be placed front to back or 'top to tail', or in an curve/arch, to create real space savings.

A branding opportunity, the door can be perforated with a design of the client's choosing enabling the customer to promote a particular campaign or promotion. Send us the design and we will incorporate it into the door.

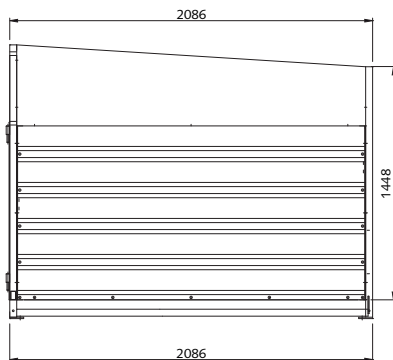
Locker dimensions are: width 880mm at the front - 630mm, height:1574mm at the front to 1448mm, depth: 2086mm overall.

DIMENSIONS	FalcoSafe:	FalcoSafe Round:
width	780 mm (per safe)	880-630 mm (per safe)
height	1160 - 1433 mm	1574 - 1448 mm
depth	2085 mm	2086 mm

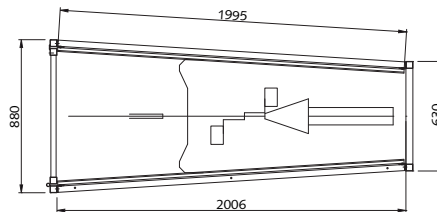
front view



FalcoSafe Round side view



top view





FALCOHILO	
Part code	Description
01.861.000	basic locker, 1 space; 1 door low with cylinder lock, door plates powdercoated in a RAL colour
01.861.100	basis locker, 1 space; 1 door low with padlock facility, door plates additional powdercoated in a RAL colour
01.861.700	additional charge for powdercoating steel structure and rear wall plate in a RAL colour
01.862.000	basic locker, 2 spaces; 1 door low and 1 door high with cylinder lock, door plates powdercoated in a RAL colour
01.862.100	basic locker, 2 spaces; 1 door low and 1 door high with paclock facility, door plates powdercoated in a RAL colour
01.862.700	additional charge for powdercoating steel structure and rear wall plate in a RAL colour
01.863.000	basic locker, 3 spaces; 2 doors low and 1 door high with cylinder lock, door plates powdercoated in a RAL colour
01.863.100	basic locker, 3 spaces; 2 doors low and 1 door high with padlock facility, door plates powdercoated in a RAL colour
01.863.700	additional charge for powdercoating steel structure and rear wall plate in a RAL colour

**FALCOHILO - CYCLE LOCKER**

The FalcoHiLo cycle locker has two great features: first it is around 25% smaller than other lockers and second it looks great! Developed in conjunction with the design house Van der Veers, the FalcoHiLo is a very popular locker particularly in areas where the designer wishes to make an impact both on the eye and through the use of space.

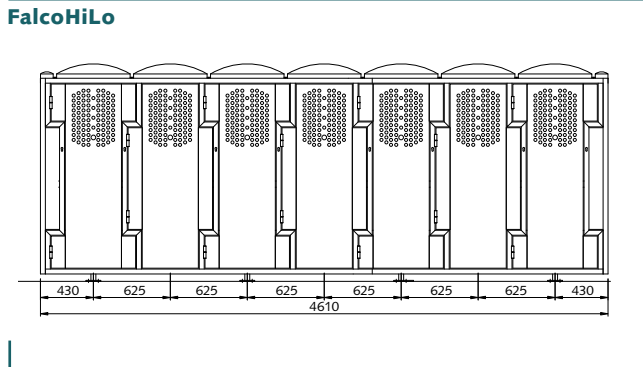
Functionally a key design strength of the product is the simple use of the high and low system. Here the cycle in the first locker sits at a different level to the cycle in the second locker, as the handle bars, (obviously the widest point on the cycle) are not adjacent then the lockers can be designed closer together but still with a secure dividing wall.

Aesthetically the locker is characterised by the fat/thin design of the door fronts coupled with the rounded roof to create highly individual cycle spaces. Through powder coating or by adding graphics to the end panels, then the design is enhanced so that a row of HiLo's really makes a statement about cycling and the benefits it brings.

With this patented system Falco produces a cycle locker which occupies around 25% less space than other cycle locker systems. A considerable saving of scarce and expensive development land. The clear internal width of each locker is 700mm which means that there is room for every type of cycle, even with a basket, windscreen or child seat!

The dimensions of the cycle locker are:  
 Depth: 2,085 mm, height 1,710 mm.  
 Width: number of bicycle spaces x 625 mm + 235 mm.

The front and rear wall are made of segments of welded tubular section; these segments are connected above and below to one another. Supports with a base plate are welded to the bottom row which can, if required, be fitted with anchor blocks which can be ordered separately.





The door has a welded base frame and is clad with rolled and moulded steel plate. The circular front plate comes with a perforation as standard for observation and ventilation. The door plates are powder coated in a RAL colour from the choice listed below .

The roof is made from a fibreglass-reinforced polyester. This polyester is coloured throughout and is available in all RAL colours in cases of larger quantities.

The standard RAL colours are: yellow; RAL 1005, green; RAL 6005, blue; RAL 5010, grey; RAL 7042 and red; RAL 3011.

At the ends of each arrangement, 2 end frames are used which are also made of polyester and are available in the same colourways. The internal walls are made of perforated steel plate. The wheel gutters are made of U profile and are suitable for mountain bike tyre widths.

End walls available as standard are:

- steel profile plate vertical;
- hardwood lattice 19x95 mm, centre to centre distance 120 mm;
- Trespa meteon version in one of the standard colours.

A particularly smart option is a Trespa Meteon end wall engraved with the bicycle logo. This makes the locker even more recognisable for users.

Innumerable colour combinations are possible by having colour applied in the form of a powder-coating to the steel structure, side walls or door frame together with the coloured roof elements. The steel structure is hot-dip galvanised as standard, whilst the steel plates are Sendzimir galvanised.

The locker doors are supplied as standard with the sturdy FALCO deadlock and Euro profile cylinder or padlock facility.

We offer various other locks as options, such as coin locks, deposit locks etc. etc.!

FALCOHILO	
Part code	Description
01.864.000	basic locker, 4 spaces; 2 doors low and 2 doors high with cylinder lock, door plates powdercoated in a RAL colour
01.864.100	basic locker, 4 spaces; 2 doors low and 2 doors high with padlock facility, door plates powdercoated in a RAL colour
01.864.700	additional charge for powdercoating steel structure and rear wall plate in a RAL colour
01.865.000	basic locker, 5 spaces; 3 doors low and 2 doors high with cylinder lock, door plates powdercoated in a RAL colour
01.865.100	basic locker, 5 spaces; 3 doors low and 2 doors high with padlock facility, door plates powdercoated in a RAL colour
01.865.700	additional charge for powdercoating steel structure and rear wall plate in a RAL colour
01.874.000	add-on locker, 4 spaces; 2 doors low and 2 doors high with cylinder lock, door plates powdercoated in a RAL colour
01.874.100	add-on locker, 4 spaces; 2 doors low and 2 doors high with padlock facility, door plates powdercoated in a RAL colour
01.874.700	additional charge for powdercoating steel structure and rear wall plate in a RAL colour
01.875.000	add-on locker, 5 spaces; 3 doors low and 2 doors high with cylinder lock, door plates powdercoated in a RAL colour
01.875.100	add-on locker, 5 spaces; 3 doors low and 2 doors high with padlock facility, door plates powdercoated in a RAL colour
01.875.700	additional charge for powdercoating steel structure and rear wall plate in a RAL colour





#### MIDI BIKE BOX

Part code	Description
01.940.xxx	Midi Bike Box, roof polycarbonate, polyester sides in gray/gray, with cylinder lock and 6 keys
01.940.700	additional charge for powdercoating in a RAL colour

#### MIDI BIKE BOX

The Midi Bike Box is the perfect solution for housing 4 of 5 cycles at offices, homes and in neighbourhoods. In many places of work there are only a few staff who cycle, but it is important to be able to provide safe and secure storage. With the Midi Bike Box all this is possible with the addition of a little design flair as well!

Operating like a huge bread-bin, the Midi Bike Box is a cylindrical design with an upward sliding, curved door at the front. Equipped with an exceptionally secure Euro profile cylinder deadlock, the Midi Bike Box is easy to use. Once unlocked, the door slides back into the rear casing, this is easily achieved even by a child, as the door is spring loaded so that its operation is assisted.

The Midi Bike Box is also ideal for use where renting is an issue. There is a choice of cylinder lock type such as the master key system, which enables landlords to manage the renting of cycle parking spaces in various ways. The standard comes with 5 keys plus a spare.

Another great feature of the Midi Bike box is the number of colour options available. Manufactured from tough moulded polyester, the end panels are available in five standard colours with options for the front and rear casing to be different:

- \* Grey RAL 7042
- \* Yellow RAL 1005
- \* Green RAL 6005
- \* Blue RAL 5010
- \* Red RAL 3011

- however for orders of 20 or more any of the 192 RAL colours can be used. The colours are applied in pairs (left and right) but in any combinations to both the rear casing and the sliding door. To maintain the integrity of the security, the clear window panels are manufactured from robust clear polycarbonate sheets.

Additionally the supporting steel structure is hot dip galvanised to BS EN ISO 1461 as standard, but can be powder coated in any of the 192 colours of the RAL colour register, if you really wish to make a statement! All fixings are stainless steel.

With moving parts and clear sheets, the Midi Bike Box does have some maintenance requirements, specifically giving the plastic parts a wash down with soapy water plus oiling the lock and the moving parts. There is a small gap all around, underneath the bike box so that the street can be cleaned with a hose pipe if required whilst restricting access to debris, leaves etc.



The Midi Bike Box is an example of a recognisable and aesthetically sound product. Nevertheless, ease of use and security are priority number one. And the designers of this model have certainly succeeded in that regard!

The Midi Bike Box must be placed on a good level foundation. The box is then simply bolted down using four M10 x 130mm stainless steel bolts, one at each corner.

**Dimensions:**

This is based on a database featuring the dimensions of over 30 bicycles. One important contributing factor is the child seat. The height of child seats nowadays is around 450 mm!

Centre to centre dimensions: 350 mm

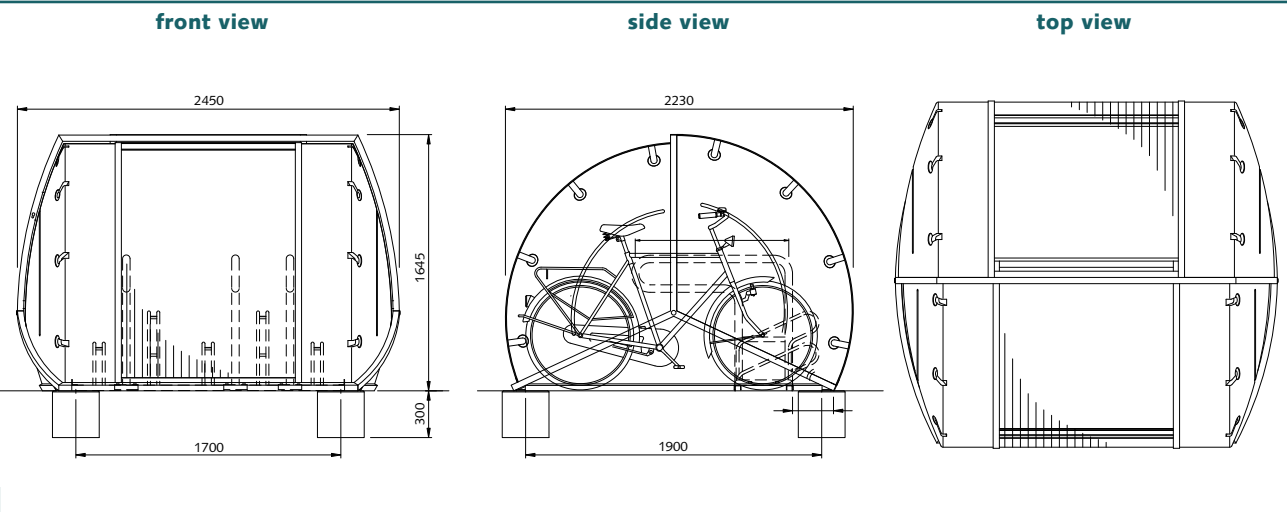
Number of bicycles: 5

Internal radius: 1,050 mm

Vertical position of centre of arc: 500 mm

In other words, child seats etc. do not need to be removed for storage of the bicycle in the Midi Bike Box!

CYCLE PARKING SYSTEMS FOR MIDI BIKE BOX	
Part code	Description
00.005.238	A-11 cycle rack, 5 place for mountain bikes, ctc 375mm, length 1,875mm
00.665.000	fixing bracket (two required)
03.990.220	spare key





# Shelters, Canopies and Walkways to cover every ... thing!

Falco's range of high quality shelters, canopies and walkway structures, provides a comprehensive product portfolio for every situation. With 50 years **experience**, Falco brings a large amount of expertise into the integration and development of covered structures into public areas.

Falco shelters can be used for **every application**; cycling, smoking, bus stops, parent waiting shelters, teen shelters, secure equipment stores, kiosks, sports dug-outs, the applications are unlimited.

Whether utilitarian or design led, Falco products exert style coupled with **high functionality**, enabling them to fit into most schemes and environments. Plus the modular nature of Falco shelters and canopy systems enables designers to create a structure in unlimited sizes and orientations.

All Falco products are **robust** and stylish to give years of service and high resistance to vandalism.

## Robust practical shelter solutions





The wide range of shelters, also complement the comprehensive street furniture ranges available, with matching co-ordinated products for many ranges including; seats, benches, litter bins, ash bins, tree grilles and planters.

Many of the products have useful design features such as integral drainage systems, plus there is a wide range of finishes and materials including: hardwood, wire mesh, pierced steel plate, glass and corrugated aluzinc sheets.

All steel components are hot-dip galvanised to BS 1461 providing high corrosion resistance - also an ideal substrate for polyester powder coating - available in a choice of 192 RAL colours. We also provide FOC site surveys, CAD layouts and schematics, plus product technical data sheets are available in PDF format to make specifying easier.



# QUESTIONS?

**Falco** Barnfield Close, Barnfield Ind. Estate, Leek Staffordshire ST13 5EG  
**T** 01538 380080 **F** 01538 386421 **E** sales@falco.co.uk **W** www.falco.co.uk



FALCOLITE	
Part code	Description
76.309.050	FalcoLite starter section roof and back wall polycarbonate
76.319.050	FalcoLite add-on section roof and back wall polycarbonate
76.309.700	powder coating of starter section
76.319.700	powder coating of add-on section
76.349.052	end wall in polycarbonate
76.349.1xx*	end wall, Trespa

These end walls can also be supplied in:	
code .145	Trespa, colour white, No. A03.0.0
code .149	Trespa, colour yellow, No. A04.1.7
code .153	Trespa, colour red, No. A12.3.7
code .157	Trespa, colour blue, No. A21.5.4
code .161	Trespa, colour grey, No. A03.4.0
code .165	Trespa, colour green, No. A32.7.2

parking, the possibilities are endless using the modular nature of the FalcoLite. Available in three distinct variants; single sided, double-sided or combi, the FalcoLite is not only a robust and flexible shelter it is also very attractive and highly cost effective. With different roof and side wall options and capable of combining with most cycle racks or benches, the FalcoLite is our most flexible and popular shelter.

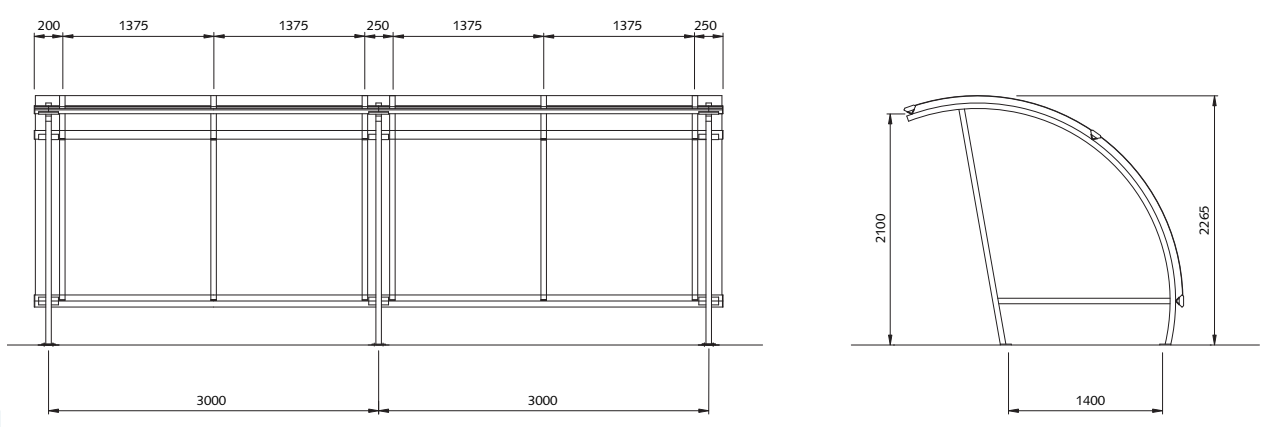
### FALCOLITE SINGLE BAY

The FalcoLite single bay unit is a simple, classic shelter. With a natural curve and angled front support, the single bay combines strength with great design lines. Additionally the FalcoLite incorporates integral gutters so that when used as a waiting shelter, there is no rain dripping to the shelter entrance. A single unit can be easily extended using 'add-on' units to create a continuous line of covered shelter as far as you need. Like all Falco products, as a stand alone, bolt down unit, it is simple to install and under normal use will remain maintenance free for many years creating a very low cost of ownership. The FalcoLite can be used as a smoking shelter complete with bench and ashtray. Also available with acrylic sheets.

### FALCOLITE

The FalcoLite is our flagship shelter – stylish and functional. From housing 8 cycles in a simple 1 bay unit to providing mass cycle

#### FalcoLite, single bay





## FALCOLITE DOUBLE SIDED

The FalcoLite Double Sided version of the shelter brings two FalcoLite shelters back to back in an attractive 'Gull wing' effect. Where access is at a premium, this design creates an 'island' effect enabling cycles to be parked double sided with either double sided racks or single units placed back to back.

The double sided FalcoLite can also be used in conjunction with a single bay to build up multiple parking systems.

We have many project images available, give us a call.



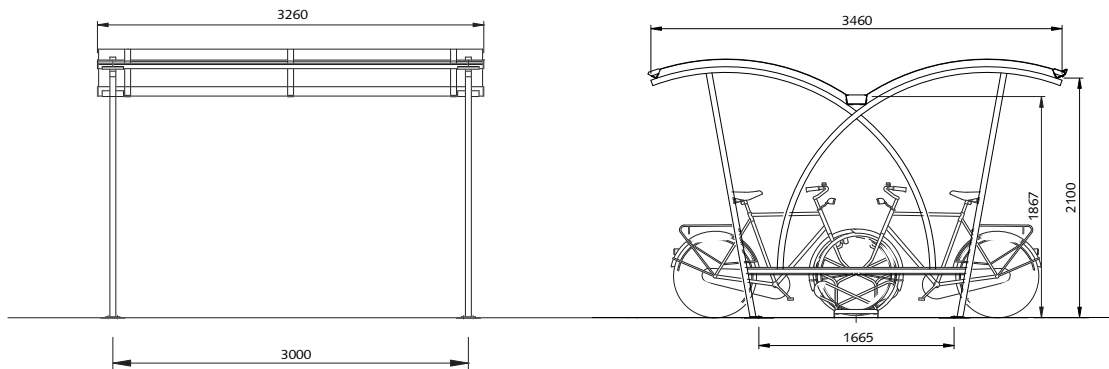
## FALCOLITE DOUBLE SIDED

Part code	Description
76.409.050	FalcoLite double sided starter section
76.419.050	FalcoLite double sided add-on section
76.449.052	end wall Closed in 1 part, polycarbonate
76.459.1xx*	end wall Closed in 1 part, Trespa
76.469.1xx*	end wall Closed in 3 parts, Trespa

### These end walls can also be supplied in:

code .145	Trespa, colour white, No. A03.0.0
code .149	Trespa, colour yellow, No. A04.1.7
code .153	Trespa, colour red, No. A12.3.7
code .157	Trespa, colour blue, No. A21.5.4
code .161	Trespa, colour grey, No. A03.4.0
code .165	Trespa, colour green, No. A32.7.2

### FalcoLite, double sided





FALCOLITE COMBI	
Part code	Description
76.369.050	FalcoLite walkway canopy, base section, with clear polycarbonate covering
76.379.050	FalcoLite walkway canopy, add-on section, with clear polycarbonate covering
76.389.052	walkway closure for FalcoLite canopy of clear polycarbonate, delivery together with the shelter
76.390.052	walkway closure for FalcoLite canopy with single revolving door for FalcoLite of polycarbonate

**FALCOLITE COMBI**

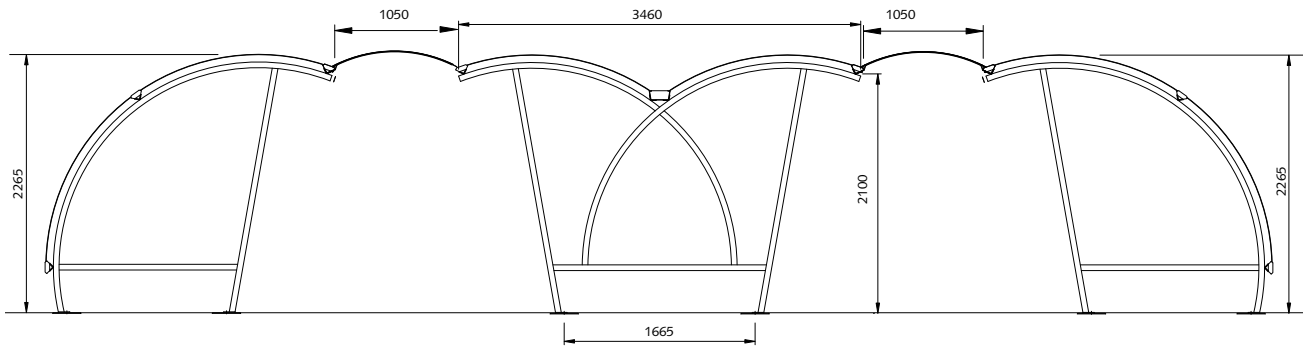
A useful combination is to create a cycle compound with cycle parking each side by placing two FalcoLite's facing each other. Compounds have the advantage of providing wide coverage whilst retaining maximum visibility.

By providing an optional walkway cover down the middle or panels at each end it is possible to produce a fully enclosed area - a dedicated and secure weather shelter.

Additionally by combining a FalcoLite double (page 209) with the combi, it is possible to create a truly impressive design led solution for any use.



FalcoLite, combi





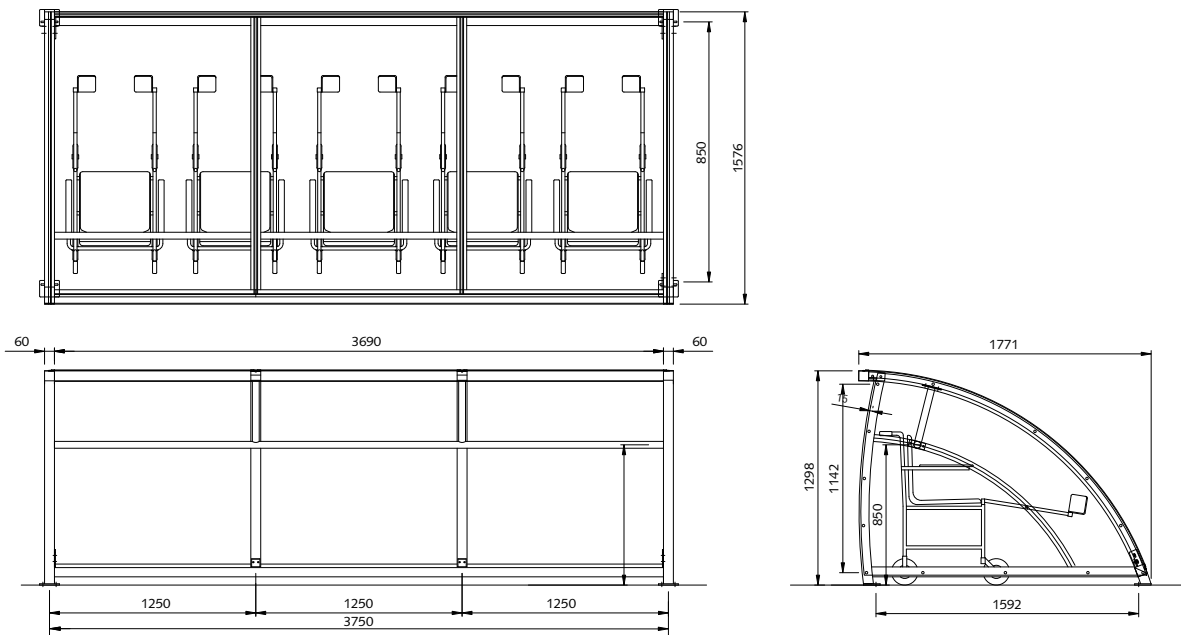
## FALCOROLLER

The FalcoRoller is a purpose designed shelter for storing pushchairs, buggies or hospital wheelchairs. Derived from the stylish FalcoSail canopy, at 3,750mm wide, the FalcoRoller shelter can house up to five pushchairs.

Additionally the shelter has an optional locking rail for the user to secure the pushchair to if it is being placed in a non-secure environment. The hot dip galvanised shelter is available with robust polycarbonate roof sheets as standard but acrylic is also available on request.

## FALCOROLLER

Part code	Description
77.509.050	FalcoRoller single sided, starter, roof and back wall of clear polycarbonate
77.509.700	additional charge for powdercoating frame starter in RAL
77.519.050	FalcoRoller single sided, add-on, roof and back wall of clear polycarbonate
77.519.700	additional charge for powdercoating frame add-on in RAL
77.520.000	fixing beam for FalcoRoller, length 3708mm
77.549.052	prefab end wall covering of clear polycarbonate, supplied together with the shelter





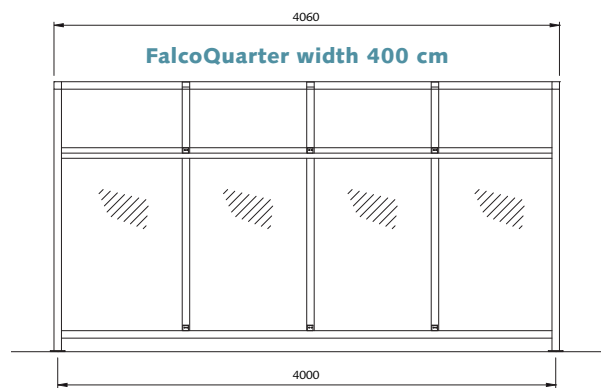
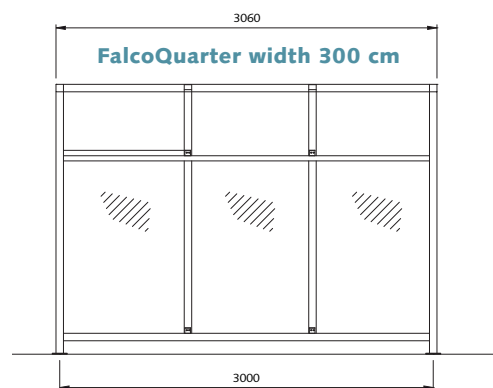
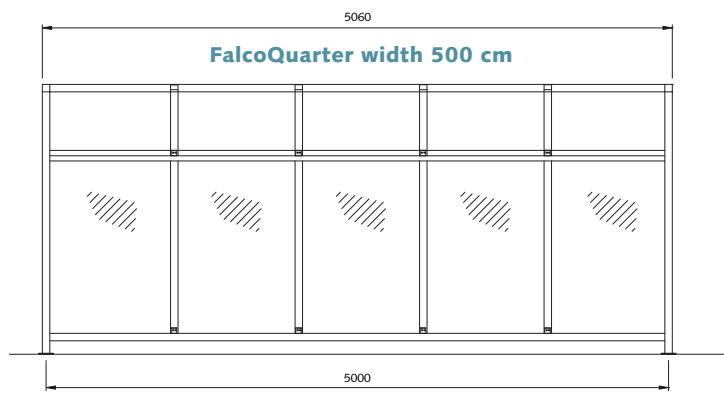
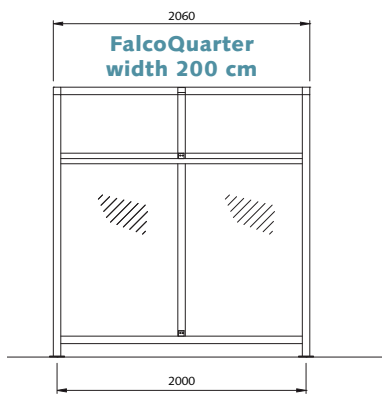
**FALCOQUARTER**

The FalcoQuarter is one of Falco's newest and most versatile shelter designs. Developed to meet the needs of community projects where budget is the main constraint, the FalcoQuarter offers great flexibility and quality but for minimum cost.

The quarter name comes straight from the design shape of the quarter segment of a disk and provides great simplicity in both form and function.

Ideal for weather, cycle or wheelchair use, the FalcoQuarter is available in a wide range of options with bays in 2m, 3m, 4m and 5m variants enabling any size of shelter to be created. The simple design lines mean that the shelter can look inconspicuous if necessary by blending in with most surroundings.

The shelter is clad in robust PET or polycarbonate and together with the hot dip galvanised steel frame, is a substantial installation.





## FALCOQUARTER COMPOUND

With the addition of a simple walkway cover and optional gates front and rear, the FalcoQuarter can easily be made into a very versatile storage compound. Again with up to 5m variants, it is possible to create enclosed, weather proof spaces of any size.

The front and rear entrance/exits can be left open or closed off. Using robust metal gates, PET or polycarbonate sheets it is simple to create a secure compound which is lockable yet visible.

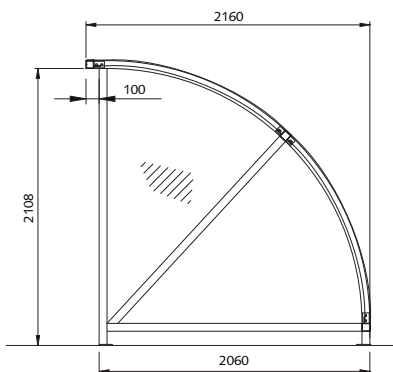
Like all Falco products, the FalcoQuarter is very robust with the steelwork being hot dip galvanised to BS EN 1461, for years of service.

Additionally the shelter can be polyester powder coated in any of the 192 colours of the RAL register to match a scheme or corporate colour.

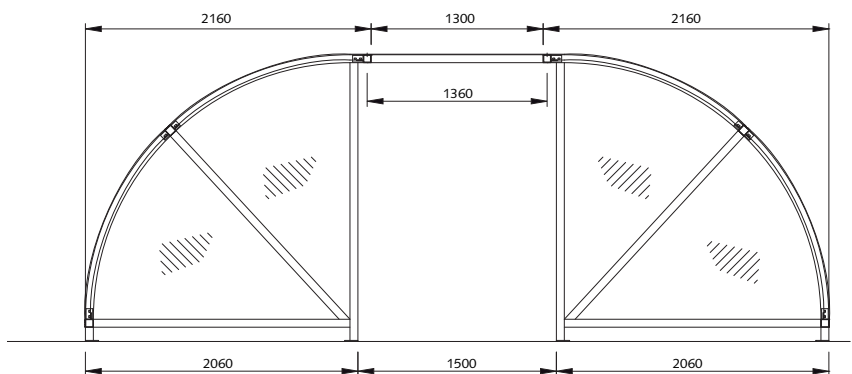
## FALCOQUARTER

Part code	Description
78.209.040	single sided starter section with roof and back wall in clear PET, length 2000mm
78.209.700	additional charge for powdercoating in RAL
78.309.040	single sided starter section with roof and back wall in clear PET, length 3000mm
78.309.700	additional charge for powdercoating in RAL
78.409.040	single sided starter section with roof and back wall in clear PET, length 4000mm
78.409.700	additional charge for powdercoating in RAL
78.469.040	walkway cover, starter section, with roof in clear PET, length 4000mm
78.479.040	walkway cover, add-on section, with roof in clear PET, length 4000mm
78.509.040	walkway cover, starter section, with roof in clear PET, length 5000mm
78.509.700	additional charge for powdercoating in RAL
78.449.042	side wall in clear PET thick 5 mm

FalcoQuarter



FalcoQuarter compound with walkway cover





**FALCOSAIL, SINGLE SIDED**

Part code	Description
77.309.050	FalcoSail starter section single sided, length 3000 mm
77.319.050	FalcoSail add-on section single sided, length 3000 mm
77.409.050	FalcoSail starter section single sided, length 4000 mm
77.419.050	FalcoSail add-on section single sided, length 4000 mm
77.449.052	prefab end wall covering of clear polycarbonate, delivery together with the shelter
77.449.1xx*	prefab end wall covering of Trespa Meteon sheet, colour*, delivery together with the shelter

**These end walls can also be supplied in:**

code .145	Trespa, colour white, No. A03.0.0
code .149	Trespa, colour yellow, No. A04.1.7
code .153	Trespa, colour red, No. A12.3.7
code .157	Trespa, colour blue, No. A21.5.4
code .161	Trespa, colour grey, No. A03.4.0
code .165	Trespa, colour green, No. A32.7.2

**FALCOSAIL, SINGLE SIDED**

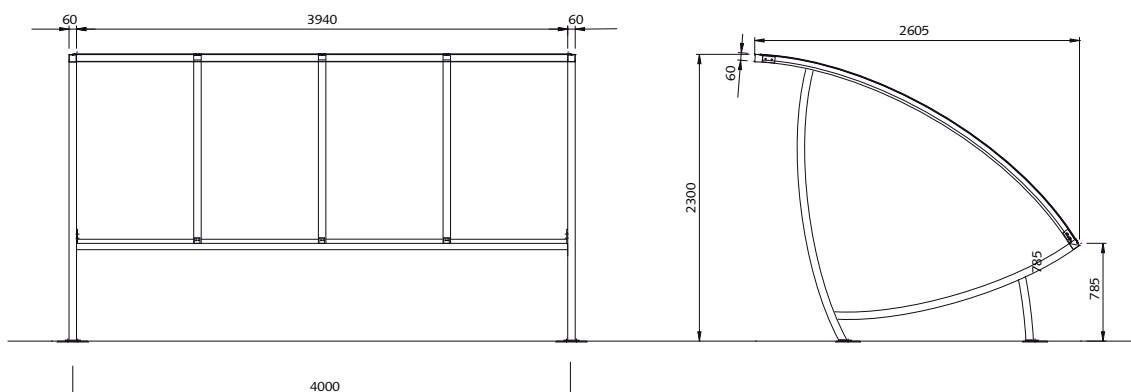
The FalcoSail shelter is a great design alternative to the FalcoLite or FalcoQuarter. The FalcoSail is a design led product and from any angle the likeness of a sail ship is unmistakable, making the shelter a very attractive addition to any external environment for use as a waiting, smoking or cycle storage shelter.

With both 3m and 4m options, there is great scope to extend ...P this shelter can hold upwards of 8 cycles in an impressive design led solution. Like all Falco shelters, the FalcoSail is modular in design enabling a shelter to be built up to house any number of cycles in various combinations.

Clad in robust polycarbonate the steelwork is hot dip galvanised to BS EN 1461 and can be powder coated in any of the 192 RAL colours.

Also available in clear acrylic.

**FalcoSail, single sided, Part code 77.409.050**





## FALCOSAIL, COMBI MODEL

As with the FalcoLite and FalcoQuarter it is possible to create a 'combi' style of compound or walkway by placing bays of FalcoSail facing each other. The use of a walkway cover between the bays ensures a weatherproof space for housing; cycles, pushchairs, motorcycles or virtually anything.

Additionally end panels can be manufactured from hard vandal resistant Trespa in a six different optional colours of; white, yellow, red, blue, grey or green.

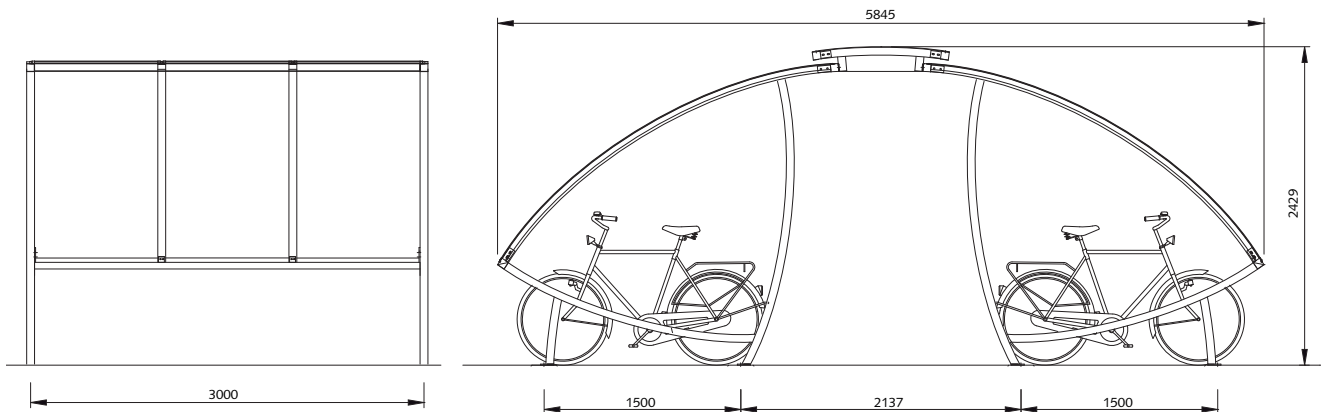
## FALCOSAIL, COMBI MODEL

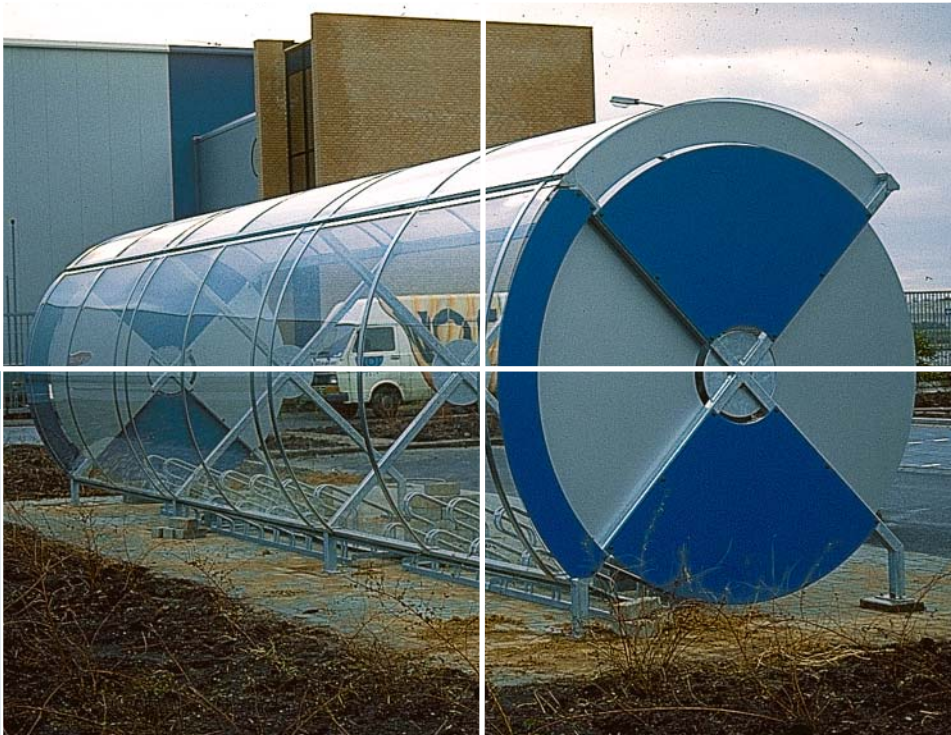
Part code	Description
77.369.050	FalcoSail walkway cover, clear polycarbonate, 3000 mm
77.469.050	FalcoSail walkway cover, clear polycarbonate, 4000 mm

**N.B.** Polycarbonate has exceptional mechanical properties; in addition to its optical clarity it has a high ignition temperature. Plus where acrylic is approximately 25 times stronger than glass of the same thickness, polycarbonate is 250 times stronger giving it excellent impact resistance. It also has a low weight/area ratio of 1.2g/cm<sup>2</sup> - it is a great easily handled material.



### FalcoSail, combi model





1 FALCOMEGA, SINGLE SIDED	
Part code	Description
63.009.050	FalcoMega starter section single sided, polycarbonate
63.019.050	FalcoMega add-on section single sided, polycarbonate
63.029.050	back wall polycarbonate (starter section)
63.029.150	back wall polycarbonate (add-on section)
63.049.1xx*	end wall (4 quadrants per end)
63.069.1xx*	end wall fascia board (2 quadrants per end)
These end walls can also be supplied in:	
code .145	Trespa, colour white, No. A03.0.0
code .149	Trespa, colour yellow, No. A04.1.7
code .153	Trespa, colour red, No. A12.3.7
code .157	Trespa, colour blue, No. A21.5.4

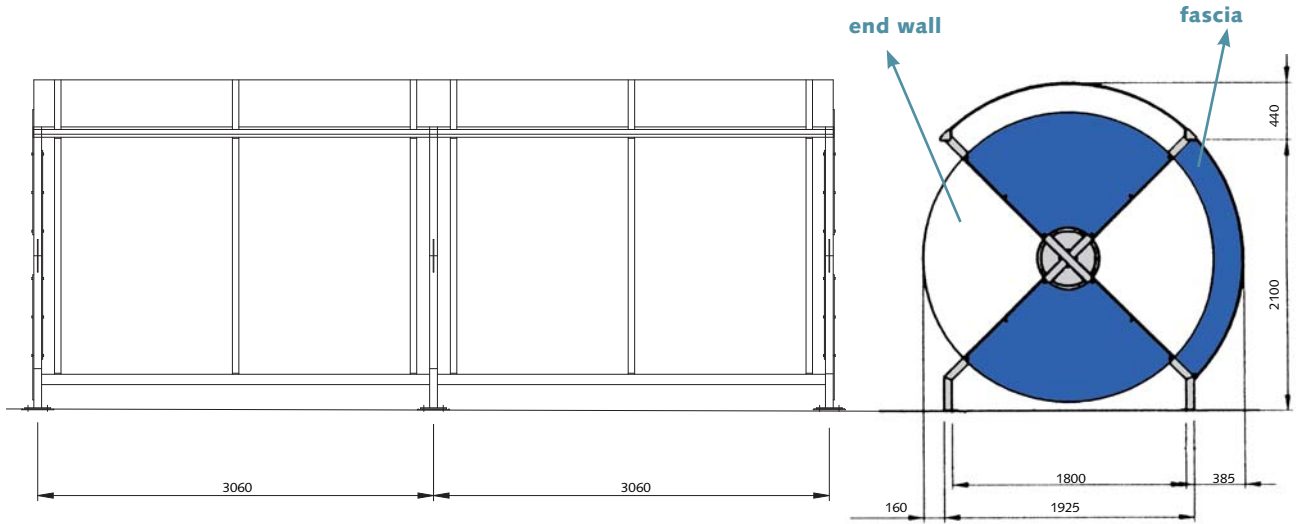
1 FALCOMEGA, SINGLE SIDED

With the FalcoMega, we have taken the design element a further step forward. The 'wheel' end panels give a real cycling feel to this design and the options of coloured Trespa panels mean an infinite variety of colours and styles can be achieved. Like the FalcoLite, the FalcoMega can be arranged in a Single, Double Sided or Combi composition creating a great flexible option to inspire cycling.

Utilising the standard modularity of Falco products, the FalcoMega is a very versatile shelter. Manufactured from robust hot dip galvanised steelwork to BS EN 1461, the FalcoMega has rainwater drainage incorporated into the trusses of the structure enabling water to be discharged just above ground level.

Also available in clear acrylic.

FalcoMega, single sided





## 2 FALCOMEGA, DOUBLE SIDED

As with many of the Falco clear shelters, the FalcoMega is capable of being made into both a double sided or 'combi' compound type shelter. As with the FalcoLite 'gull wing' design, the idea is the same – by integrating two units back to back, you can create a 4m deep shelter with double the capacity but not double the cost.

## 3 FALCOMEGA, COMBI MODEL

By combining single and/or double FalcoMega shelters, the use of walkway canopies allows the easy creation of a combi shelter. Walkway canopies and single doors are also available for this design on request. The depth of the combi version is 6.5m, again with unlimited length from adding modular sections.

Also available in clear acrylic.

## 2 FALCOMEGA, DOUBLE SIDED

Part code	Description
63.109.050	FalcoMega starter section double sided, polycarbonate
63.119.050	FalcoMega add-on section double sided, polycarbonate
63.149.1xx*	end wall, with 1 square and 6 quarters Trespa
63.069.1xx*	fascia, with 1 quarter Trespa

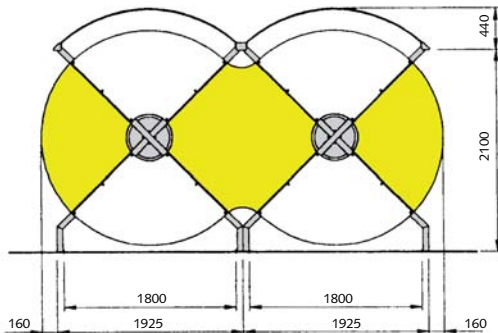
## 3 FALCOMEGA, COMBI MODEL

Part code	Description
63.209.050	FalcoMega starter section combi model, polycarbonate
63.029.050	back wall, with polycarbonate
63.049.1xx*	end wall (4 quarters per end)
63.069.1xx*	end wall fascia board (with 1 quarters per end)

These end walls can also be supplied in:

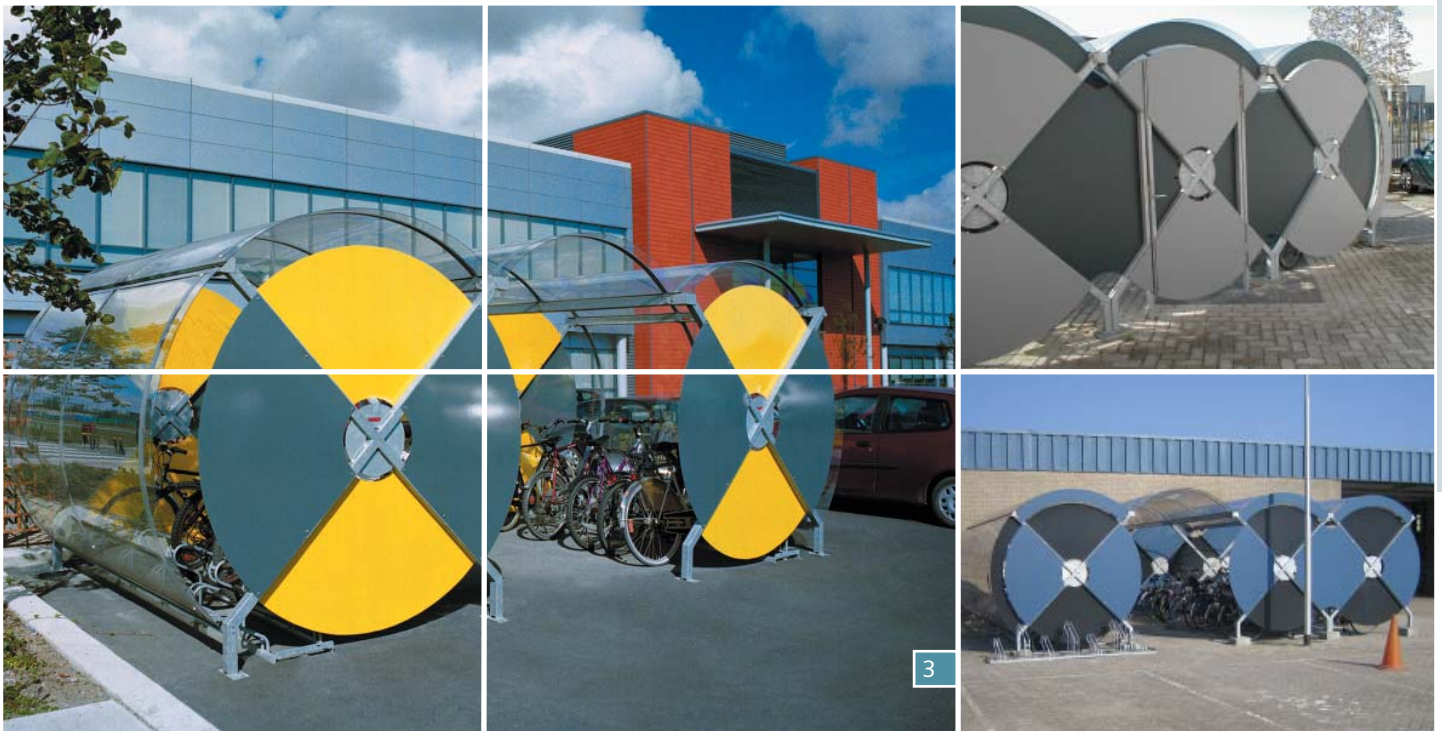
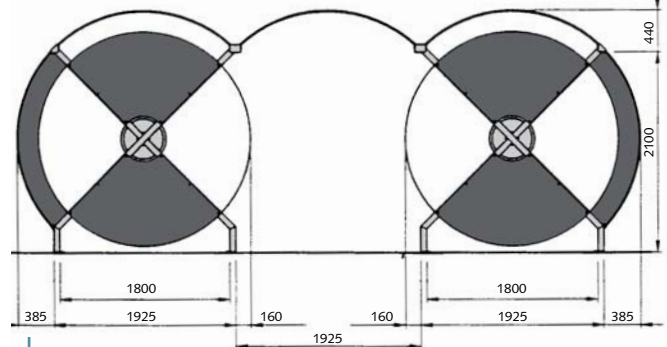
code .145	Trespa, colour white, No. A03.0.0
code .149	Trespa, colour yellow, No. A04.1.7
code .153	Trespa, colour red, No. A12.3.7
code .157	Trespa, colour blue, No. A21.5.4
code .161	Trespa, colour grey, No. A03.4.0
code .165	Trespa, colour green, No. A32.7.2

FalcoMega, double sided



2

FalcoMega, combi model





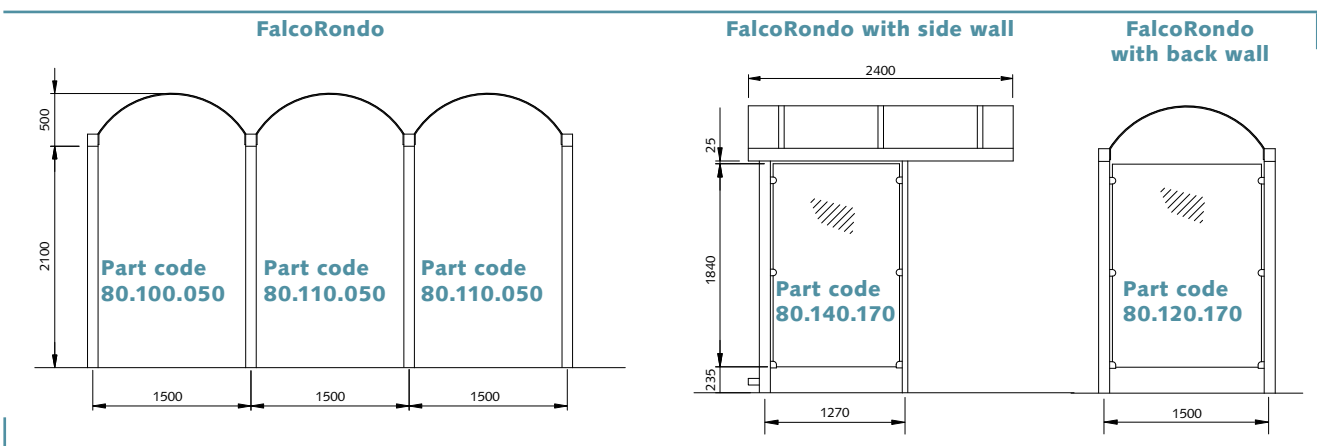
1 FALCORONDO, SINGLE SIDED	
Part code	Description
80.100.050	FalcoRondo starter section polycarbonate
80.100.700	additional charge for powdercoating steel structure
80.110.050	FalcoRondo add-on section polycarbonate
80.110.700	additional charge for powdercoating steel structure
80.120.170	back wall of safety glass, width 1,400 mm
80.130.170	back wall of safety glass, width 1,350 mm
80.140.170	side wall of safety glass with column, width 1,340 mm
80.150.170	side wall of safety glass with 2 columns, width 2,300 cm

above ground level and is available with optional glass panels for weather protection. Manufactured from hot dip galvanised steel sections, the roof is clad in robust polycarbonate sheets to create a strong structure which is lightweight in appearance. The FalcoRondo is a below ground fix structure mounted on heavy duty 100mm x 100mm uprights.

**1 FALCORONDO, SINGLE SIDED**  
 A single sided shelter with a total roof span of 2,400mm. Highly suitable for any canopy use including; waiting shelter, cycle parking, machine cover etc. Available with or without rear and side walls. If rear walls are used, then the usable depth is reduced by approximately 200mm.

**FALCORONDO**  
 The FalcoRondo is a cantilevered design incorporating a 'barrel' vaulted roof section. A very flexible canopy system which can be arranged side by side or in a continuous run in the style of a walkway canopy. An additional benefit is that the canopy is available as a 1.5m or 2.5m wide unit enabling a number of options for walkways and sheltered areas. The design has integral gutters for rainwater which discharge just

Clear height 2,100 mm, total 2,600 mm. The outside dimension of the arch barrel supports is 1,600 mm. Centre to centre gutter is 1,500 mm. In addition to its open nature, this model has another important benefit. The spaces are free of uprights at the front, so no obstacles! Bicycle racks, if any, can be joined continuously. Rain is transported through the column to a spout at the base. Also available in clear acrylic.





## 2 FALCORONDO, DOUBLE SIDED

A double-sided shelter with a total roof span of 4,500 mm. Particularly suited to parking large numbers of bicycles. Available with or without side walls. Clear height 2,100 mm, total 2,600 mm. The outside dimension of the arch barrel supports is 1,600 mm. Centre to centre gutter is 1,500 mm.

In addition to its open nature, this model has another important benefit in that the spaces are free of uprights at the front so there are no obstacles.

**N.B.** The FalcoRondo is also available with a pitched roof section (see photo below) and is known as the FalcoPuncto. The FalcoPuncto has all the options of the FalcoRondo.

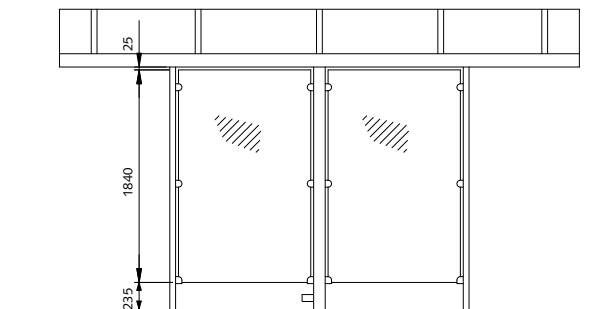
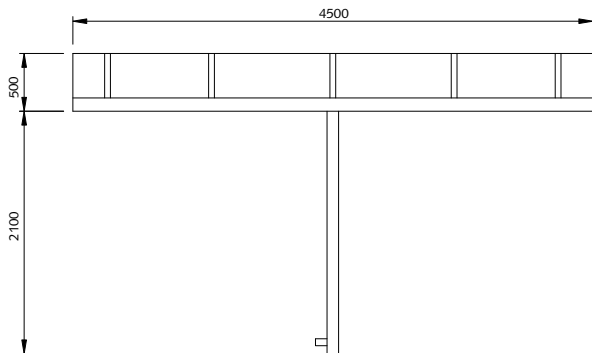
Also available in clear acrylic.

## 2 FALCORONDO, DOUBLE SIDED

Part code	Description
80.300.050	FalcoRondo starter section polycarbonate
80.300.700	additional charge for powdercoating steel structure
80.310.050	FalcoRondo add-on section polycarbonate
80.310.700	additional charge for powdercoating steel structure
80.340.170	side wall with safety glass, depth 259 cm, with 2 columns
80.340.702	additional charge for powdercoating steel structure
80.350.170	side wall with safety glass, depth 450 cm, with 4 columns
80.350.702	additional charge for powdercoating steel structure



### FalcoRondo, double sided





**FALCOBUS, SERIES 25.9**

Part code	Description
25.900.050	FalcoBus base section, length 2060 mm, depth 1600 mm, height 2100/2900 mm, roof with clear polycarbonate covering, without wall panels
25.910.050	FalcoBus shelter, length 3015 mm, depth 1600 mm, height 2100/2900 mm, roof with clear polycarbonate covering 3 mm
25.915.050	FalcoBus shelter, length 3015mm, depth 3200 mm, height 2100/2900mm, 2 roofs with clear polycarbonate covering 3 mm
25.920.050	FalcoBus base section, length 3970 mm, depth 1600 mm, height 2100/2900 mm, roof with clear polycarbonate covering
25.930.050	FalcoBus base section, length 4925 mm, depth 1600 mm, height 2100/2900 mm, roof with clear polycarbonate covering
25.940.170	side wall, clear safety glass with 6 clamps
25.950.170	arch barrel enclosure, clear safety glass
25.960.170	front or back wall panel, clear safety glass
25.980.000	intermediary column for front/back wall panel

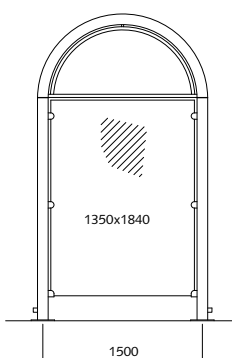
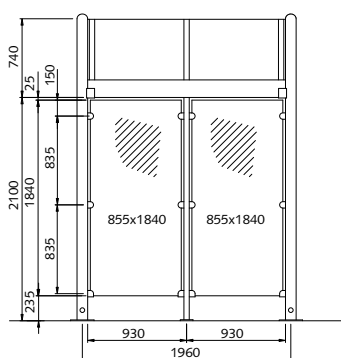
**FALCOBUS, SERIES 25.9**

The FalcoBus is a modern style shelter with a particular use in environments where people are waiting such as bus stops, smoking shelters, park shelters. Increasingly used by both local authorities as well as private commercial developments, the FalcoBus is a very neat, open, airy shelter with simple design lines.

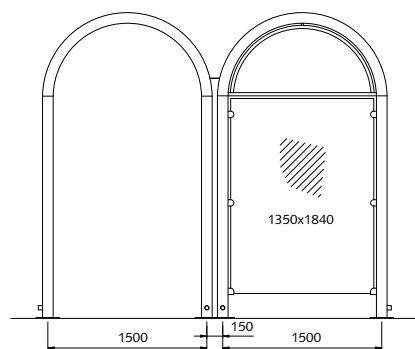
As with most Falco shelters and canopies, the FalcoBus is a modular structure enabling designers to create a shelter in various lengths and orientations. The steel structure is hot dip galvanised and is greatly enhanced with a polyester powder coat finish, which Falco offers across the whole range of the 192 colours of the RAL register.

The shelter can be clad in either acrylic or polycarbonate and if the walls are used then these are executed in 8mm safety glass mounted between frames using stainless steel glass clamps.

**FalcoBus**



**Example with 2 arches**





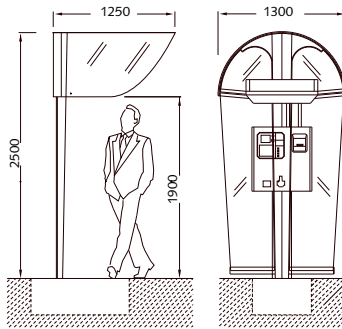
## 1 MINISPOK

Shelter for parking meter or ticket validating machine, made of a triangular/conic shaped support post 8 mm thick, on top of which are welded two supports necessary to hold up the thermoformed clear methacrylate roofing.

The roofing is 10 mm thick and is provided with a red stripe on both sides, in compliance with safety regulations.

Overall dimensions: 1,300x1,250x2,500 mm.

### MiniSpok



## 2 SPOK

Modular overhanging bus shelter, made of 10 mm thick, non Alloy steel supporting posts, appropriately welded to form a rigid and indeformable structure.

The shelter roofing is in 16 mm thick clear pitted polycarbonate, held up by non alloy steel shuttering profiles.

The back and lateral (optional) curtain walls are 8 mm thick tempered glass, according to safety regulations and are blocked in position with specific aluminium profiles.

The seat is in non alloy sheet steel 2 mm thick.

## 1 MINISPOK

Part code	Description
74.950.810*	shelter for ticket machine or cash machine, powdercoated in standard RAL

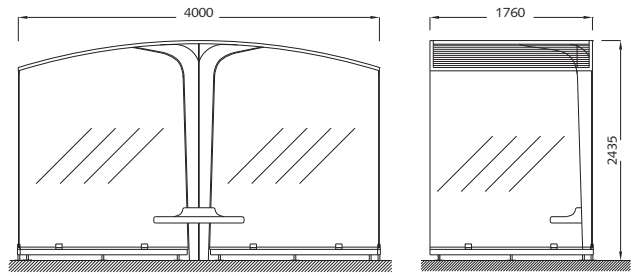
## 2 SPOK

Part code	Description
74.900.810*	bus or smoking shelter, powdercoated in standard RAL

You can choose from 11 standard colours:

RAL 1007, daffodil yellow	RAL 3000, fire red
RAL 3005, wine red	RAL 4004, violet bordeaux
RAL 5013, cobalt blue	RAL 6009, pine green
RAL 6005, moss green	RAL 6029, mint green
RAL 7016, anthracite grey	RAL 9005, deep black
RAL 9007, grey aluminium	

### Spok



Indicative weight for basic module: 400 kg.

Indicative weight for a lateral curtain wall: 67 kg.

Overall dimensions of basic module: 4,000x1,760x2,435 mm.

Overall dimensions for a lateral curtain wall: 10x1,760x2,435 mm.





**TRIANGLE, SINGLE SIDED**

Part code	Description
68.000.000	Triangle single sided starter section, roof of aluzinc sheets
68.010.000	Triangle single sided add-on section, roof of aluzinc sheets
68.020.017	back wall with 5 aluzinc sheets
68.040.017	side wall made of sendzimir galvanised sheets
68.050.017	side wall, starter element with 2 uprights and a aluzinc sheet
68.051.017	side wall, add-on element with 1 upright and a aluzinc sheet
68.100.000	single sided starter section, roof of aluzinc sheets, including lighting
68.110.000	single sided add-on section, roof of aluzinc sheets, including lighting
68.200.172	single sided starter section, roof of 10 mm safety glass sheets
68.210.172	single sided add-on section, roof of 10 mm safety glass sheets
68.300.172	single sided, starter section, roof of 10 mm thick safety glass, with lighting
68.310.172	single sided, add-on section, roof of 10 mm thick safety glass, with lighting

**TRIANGLE, SINGLE SIDED**

Triangle canopy system is part of a co-ordinated range of street furniture products which includes litter bins, seating, bollards, cycle stands and lighting.

The shelter brings the familiar design led 'triangle' theme to the fore and the use of a range of materials including stainless steel and powdercoated galvanised steel with roof cladding options of aluzinc or safety glass.

As with all Falco products, the aesthetic strengths of the design are matched by high functionality. The canopy incorporates integrated gutters with rainwater being channelled inside the structure and discharged at ground level.

Additionally lighting can be incorporated into the central panel of the canopy with opaque acrylic covering. Optional back wall panels include steel sheet or safety glass.

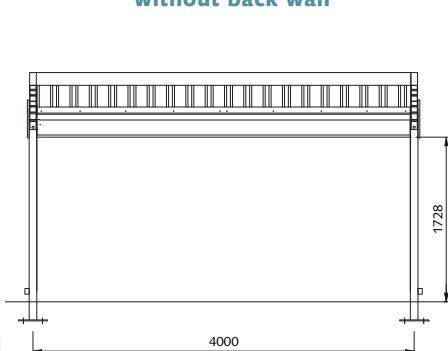
**TRIANGLE CO ORDINATED PRODUCTS**

Benches page no. 17. Litter bin page no. 85.

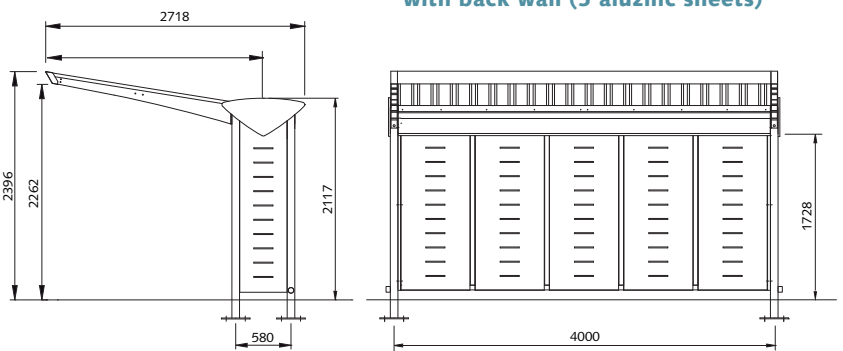
Bollards page no. 48.

Cycle parking systems page no. 168, 176, 177 and 178.

**Triangle single sided starter section without back wall**



**Triangle single sided starter section with back wall (5 aluzinc sheets)**





## TRIANGLE, DOUBLE SIDED

Again there is a double sided canopy option making the Triangle a very versatile unit. Used as a standalone 'island' unit, the canopy creates a great design statement with a the symmetry of the canopy arms creating a light and spacious feel. By utilising the pierced side panels, the design also provides a feeling of privacy when a demarcation of some description is required to highlight a specific use for the space.

By placing two units facing each other a covered walkway or compound can be created. Utilising the 2.25m span for each arm, a walkway 4m wide is possible – ideal for a public thoroughfare. Like all Falco shelters, the modular nature of the Triangle canopies enables designers and specifiers to create a walkway system of any dimensions. Ideal for bus shelters, a public market, cycle parking or simple weather cover.

## TRIANGLE CO ORDINATED PRODUCTS

Benches page no. 17. Litter bin page no. 85.

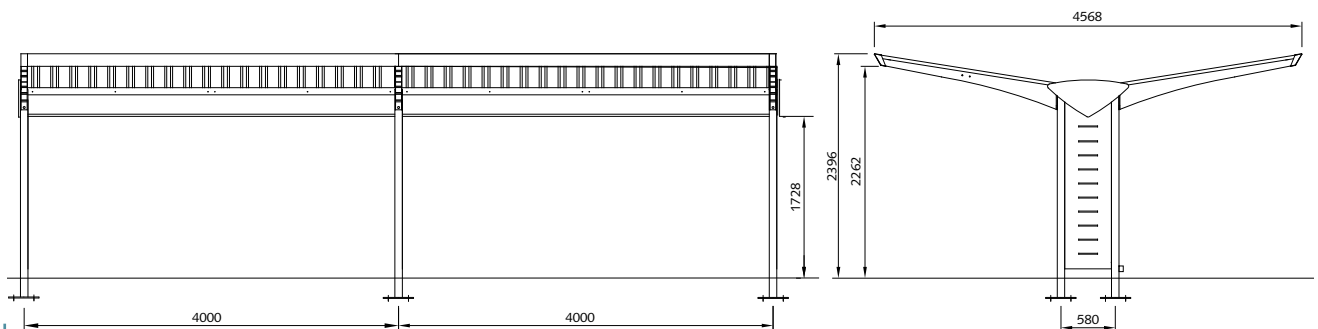
Bollards page no. 48.

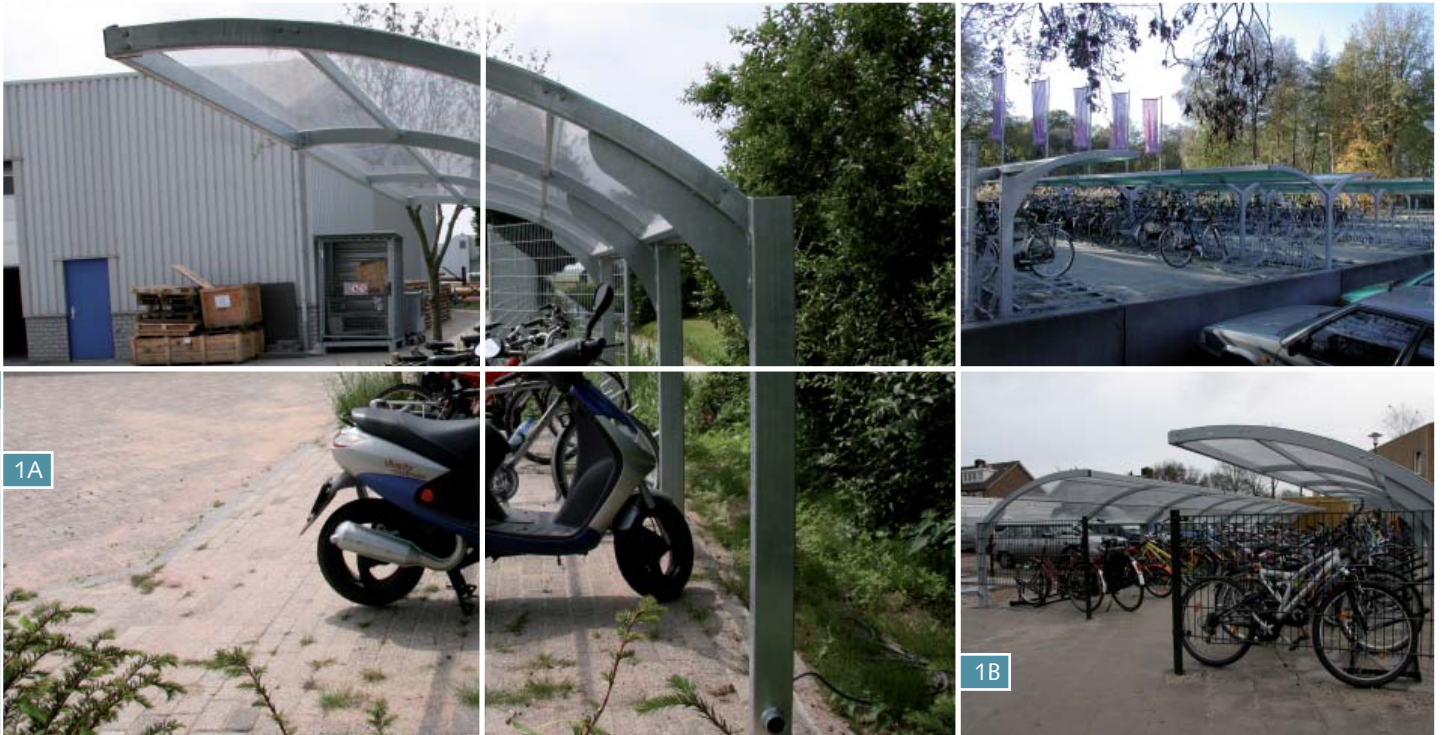
Cycle parking systems page no. 168, 176, 177 and 178.

## TRIANGLE, DOUBLE SIDED

Part code	Description
68.500.000	Triangle double sided starter section, roof of aluzinc sheets
68.510.000	Triangle double sided add-on section, roof of aluzinc sheets
68.040.017	side wall made of sendzimir galvanised sheets
68.600.000	Triangle double sided starter section, roof of aluzinc sheets, including lighting
68.610.000	Triangle double sided add-on section, roof of aluzinc sheets, including lighting
68.700.172	Triangle double sided starter section, roof of 10 mm safety glass sheets
68.710.172	Triangle double sided add-on section, roof of 10 mm safety glass sheets
68.800.172	Triangle double sided starter section, roof of 10 mm safety glass sheets, including lighting
68.810.172	Triangle double sided add-on section, roof of 10 mm safety glass sheets, including lighting

## Triangle double-sided, 1 base section + 1x add-on section





1 FALCOGAMMA, SINGLE SIDED	
Part code	Description
77.759.050	FalcoGamma-Hi single sided, starter with 4 mm clear polycarbonate roof, length 4000mm
77.769.050	FalcoGamma-Hi single sided, add-on with 4 mm clear polycarbonate roof, length 4000mm
77.709.050	FalcoGamma-Lo single sided, starter with 4 mm clear polycarbonate roof, length 4000mm
77.719.050	FalcoGamma-Lo single sided, add-on with 4 mm clear polycarbonate roof, length 4000mm

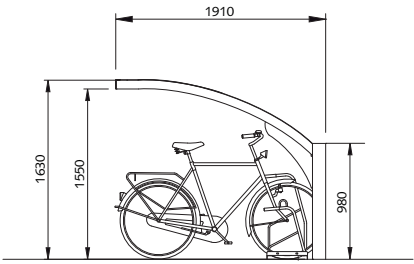
**FALCOGAMMA (LO AND HI)**

The FalcoGamma is a new canopy product designed with clean lines and functionality in mind. The design is very flexible with both; single and double sided and 'Hi' (photo 1A) and 'Lo' (photo 1B) versions available to meet a variety of uses.

The design uses 60 mm box section steel as opposed to the round tube of the Harmony.

With robust polycarbonate roof sheets and a central gutter integral to the design, the FalcoGamma is ideally suited to public areas where a robust product is required.

**single sided FalcoGamma-Lo**



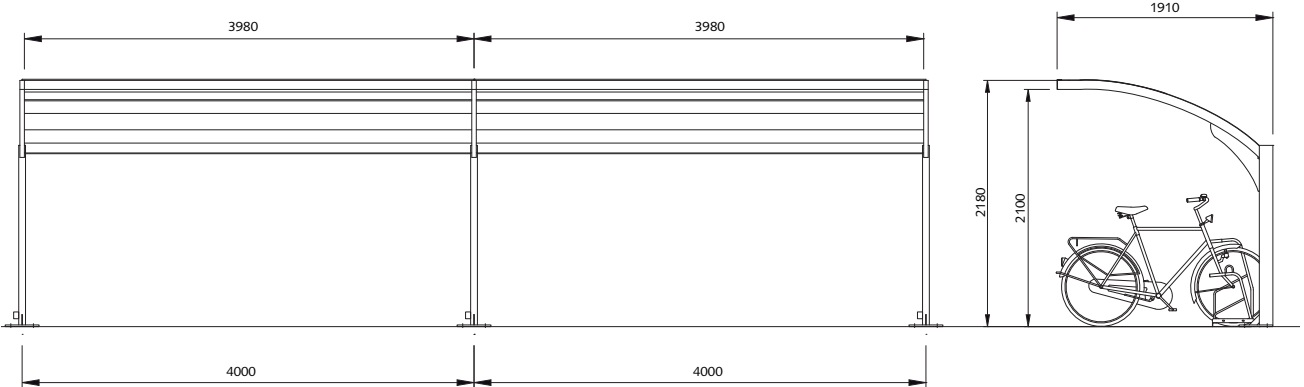
**1 FALCOGAMMA, SINGLE SIDED**

The single sided canopy creates a 1.9 metre span ideal for cycle parking or as a walkway canopy.

Manufactured from robust steel and hot dip galvanised to BS EN ISO 1461, the canopy is both utilitarian and provides a very low cost of ownership.

The Gamma-Hi gives free head height of 2,100mm and the Gamma-Lo a free height of 1,550mm – ideal for cycle parking.

**single sided FalcoGamma-Hi, with add on section**





## 2 FALCOGAMMA, DOUBLE SIDED

The double sided FalcoGamma creates a majestic tree design when viewed in elevation. Tip to tip, the overall span of the canopy is 4,000mm with free head height of 2,100mm at the front.

The arched arms cause rainwater to run into the central integral gutter and the waste water is discharged at ground level via internal drainage.

Again both Hi (2A) and Lo (2B) versions are available for maximum flexibility and where required safety glass side panels can be fitted to create an enclosed space.

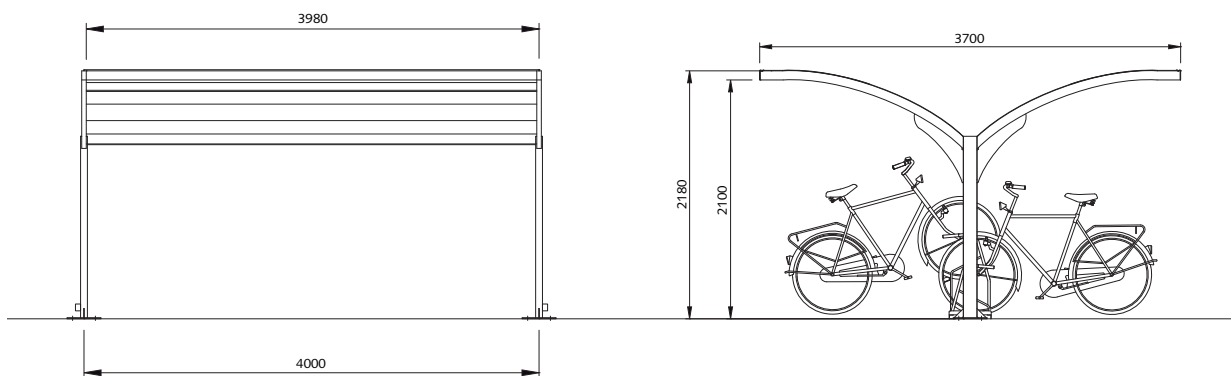
Photo (2C) shows the FalcoGamma adapted so that it just covers cycle saddles - reducing cost.

Like all Falco products, the FalcoGamma can be polyester powder coated in any of the standard colours of the RAL register, and special colours are available on request.

## 2 FALCOGAMMA, DOUBLE SIDED

Part code	Description
77.859.050	FalcoGamma-Hi double sided, starter with 4 mm clear polycarbonate roof, length 4000mm
77.869.050	FalcoGamma-Hi double sided, add-on with 4 mm clear polycarbonate roof, length 4000mm
77.959.050	FalcoGamma-Lo double sided, starter with 4 mm clear polycarbonate roof, length 4000mm
77.969.050	FalcoGamma-Lo double sided, add-on with 4 mm clear polycarbonate roof, length 4000mm
77.809.050	FalcoGamma-Lo double sided saddle, starter with 4 mm clear polycarbonate, length 4000mm
77.819.050	FalcoGamma-Lo double sided saddle, add on with 4 mm clear polycarbonate, length 4000mm

### double sided FalcoGamma-Hi, starter section





**1 FALCOHARMONY, SINGLE SIDED**

Part code	Description
73.000.824*	FalcoHarmony single sided starter section with roof covering of 4mm clear acrylic
73.010.824*	FalcoHarmony single sided add-on section with roof covering of 4mm clear acrylic

**2 FALCOHARMONY, DOUBLE SIDED**

Part code	Description
73.100.824*	FalcoHarmony double sided starter section with roof covering of 4mm clear acrylic
73.110.824*	FalcoHarmony double sided add-on section with roof covering of 4mm clear acrylic

**You can choose from 11 standard colours:**

RAL 1007, daffodil yellow	RAL 3000, fire red
RAL 3005, wine red	RAL 4004, violet bordeaux
RAL 5013, cobalt blue	RAL 6009, pine green
RAL 6005, moss green	RAL 6029, mint green
RAL 7016, anthracite grey	RAL 9005, deep black
RAL 9007, grey aluminium	

**FALCOHARMONY**

The FalcoHarmony is an elegant design with curved lines and a graceful, gently sweeping arch creating a very natural branch-like feel. The canopy is supported by tubular coulmns with laser cut fins both top and bottom and like the FalcoGamma, the FalcoHarmony is available in both single and double sided versions. The canopy comes with robust polycarbonate or acrylic clear roof sheets and is hot dip galvanised and powder coated as standard.

**1 FALCOHARMONY, SINGLE SIDED**

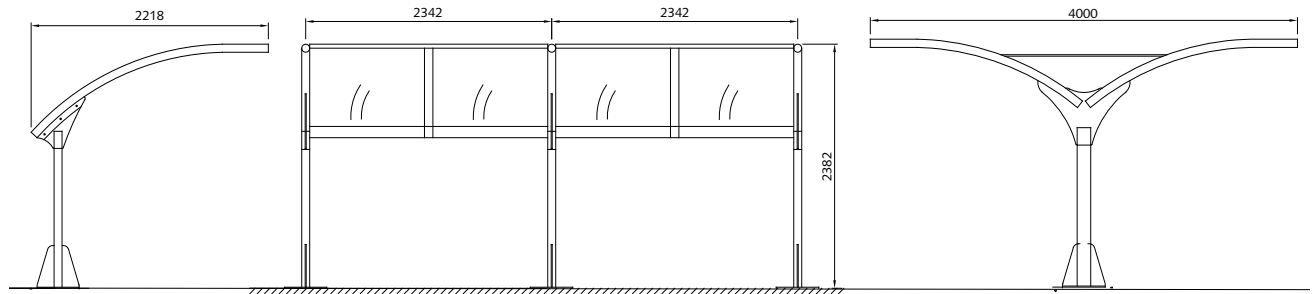
A standard module of the single sided model has a canopy width of 2,342mm and depth of 2,218mm front to back. The free head height at the front of the canopy is 2,280mm.

**2 FALCOHARMONY, DOUBLE SIDED**

The standard module for the double sided canopy has a depth of 4,000mm with the same width and head height as the single sided option.

**FalcoHarmony, single sided**

**FalcoHarmony, double sided**





## FALCOBREEZE

The FalcoBreeze is another new product from Falco offering a great alternative where floor space is at a premium.

Increasingly on busy streets and walkways, signs, posts and street furniture are reducing the amount of available space for pedestrians to walk, so the FalcoBreeze creates a great overhead canopy space whilst occupying a minimum of floor space.

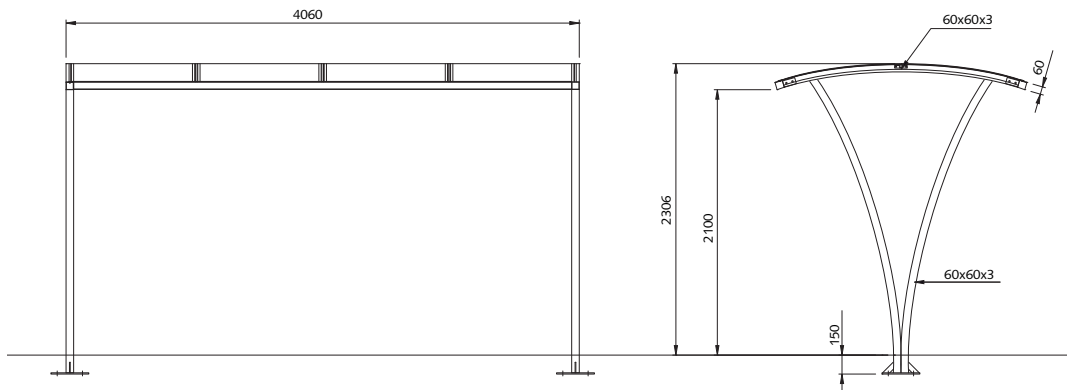
The FalcoBreeze shown in the photograph and CAD drawing is a 4,000mm long canopy with a 2,000mm curved sweep and provides a standard free head height of 2,100mm, however options are available for this highly modular design, for much greater spans up to 5000mm.

All steelwork is hot dip galvanised to BS EN ISO 1461 and polyester powdercoating is available as an additional option, in any of the 192 colours in the RAL register.

## FALCOBREEZE

Part code	Description
72.209.050	FalcoBreeze starter section, roof of clear polycarbonate, length 2000mm
77.219.050	FalcoBreeze add-on section, roof of clear polycarbonate, length 2000mm
77.309.050	FalcoBreeze starter section, roof of clear polycarbonate, length 3000mm
77.319.050	FalcoBreeze add-on section, roof of clear polycarbonate, length 3000mm
77.409.050	FalcoBreeze starter section, roof of clear polycarbonate, length 4000mm
77.419.050	FalcoBreeze add-on section, roof of clear polycarbonate, length 4000mm
77.509.050	FalcoBreeze starter section, roof of clear polycarbonate, length 5000mm
77.519.050	FalcoBreeze add-on section, roof of clear polycarbonate, length 5000mm

### FalcoBreeze starter section, length 4000mm





**FALCORONDO DOOR CANOPY**

Part code	Description
81.209.050	FalcoRondo starter section door canopy with clear polycarbonate roof, width 1,600 mm, depth 900 mm
81.209.700	additional charge for powder-coating steel structure in RAL
81.212.020	FalcoRondo starter section door canopy with clear polycarbonate roof, width 1,600 mm, depth 1,200 mm
81.212.700	additional charge for powder-coating steel structure in RAL
81.309.020	FalcoRondo starter section door canopy with clear polycarbonate roof, width 2,100 mm, depth 900 mm
81.309.700	additional charge for powder-coating steel structure in RAL
81.312.020	FalcoRondo starter section door canopy with clear polycarbonate roof, width 2,100 mm, depth 1,200 mm
81.312.700	additional charge for powder-coating steel structure in RAL

**FALCORONDO DOOR CANOPY**

A cantilevered door canopy made up of two supports fastened to the wall with roof panels in either polycarbonate or acrylic. The side beams also act as the gutter, and are equipped with rainwater spouts.

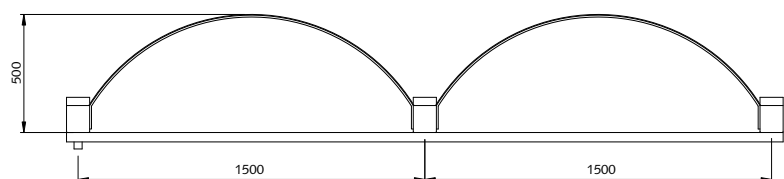
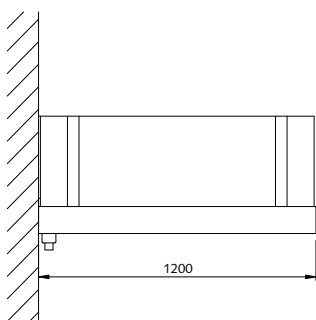
All steel parts are hot-dip galvanised. For a small sum, you can have the steel parts powder-coated in a standard RAL colour. Supplied as standard without mountings.

The nature of the wall is very important to ensure the correct choice. DIY mounting is perfectly feasible with a certain amount of technical expertise.

**N.B.** Other dimensions, add-on canopies and collection gutters are available on request.

From a depth of 1,500 mm you need a tie rod.

**FalcoRondo door canopy**





## FALCOPUNCTO DOOR CANOPY

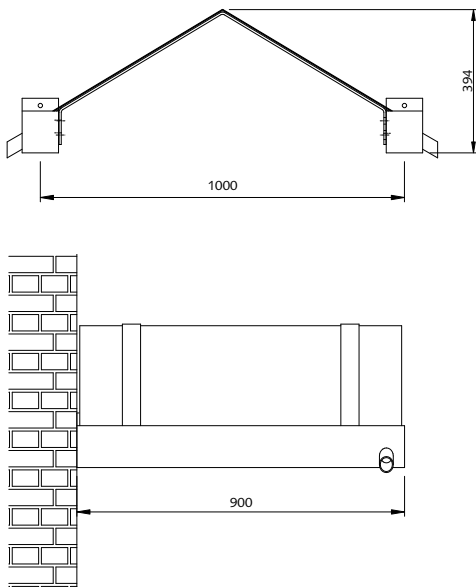
A cantilevered door canopy made up of two supports fastened to the wall with roof panels in either polycarbonate or acrylic. The uprights also act as the gutter, and are equipped with rainwater spouts.

All steel parts are hot-dip galvanised. For a small sum, you can have the steel parts powder-coated in a standard RAL colour. Supplied as standard without mountings.

The nature of the wall is very important to ensure the correct choice. DIY mounting is perfectly feasible with a certain amount of technical expertise.

**N.B.** Other dimensions, add-on canopies and collection gutters are available on request.

### FalcoPuncto door canopy, Part code 84.009.050



## FALCOPUNCTO DOOR CANOPY

Part code	Description
84.009.050	FalcoPuncto starter section door canopy with clear polycarbonate roof, width 1,100 mm, depth 900 mm
84.009.700	additional charge for powder-coating steel structure in RAL
84.012.050	FalcoPuncto starter section door canopy with clear polycarbonate roof, width 1,100 mm, depth 1,200 mm
84.012.700	additional charge for powder-coating steel structure in RAL
84.062.050	FalcoPuncto add-on section door canopy with clear polycarbonate roof, width 1,000 mm, depth 1,200 mm
84.062.700	additional charge for powder-coating steel structure in RAL
84.212.050	FalcoPuncto starter section door canopy with clear polycarbonate roof, width 1,600 mm, depth 1,200 mm
84.212.700	additional charge for powder-coating steel structure in RAL
84.262.050	FalcoPuncto starter section door canopy with clear polycarbonate roof, width 1,500 mm, depth 1,200 mm
84.262.700	additional charge for powder-coating steel structure in RAL





FALCORONDO CARPORT / WALKWAY	
Part code	Description
81.502.050	FalcoRondo carport/walkway starter section with clear polycarbonate roof, length 4,800 mm
81.502.700	additional charge for powder-coating steel structure in RAL
81.602.020	FalcoRondo carport/walkway starter section with clear polycarbonate roof, length 5,400 mm
81.602.700	additional charge for powder-coating steel structure in RAL
81.702.020	FalcoRondo carport/walkway starter section with clear polycarbonate roof, length 6,000 mm
81.702.700	additional charge for powder-coating steel structure in RAL

**FALCORONDO CARPORT / WALKWAY**

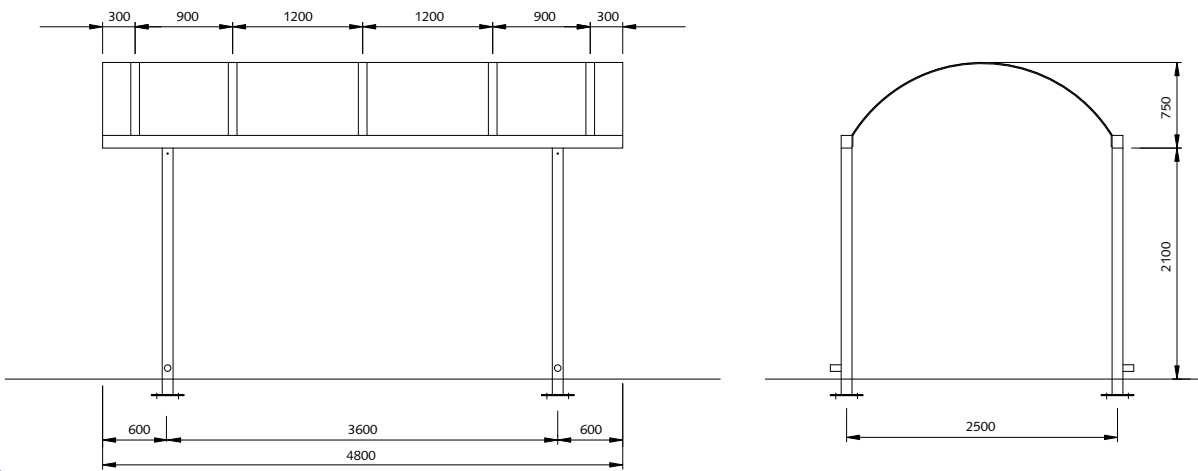
The FalcoRondo range of products is very flexible and here we have a larger version of the family.

The structure can be used as a carport or other vehicle/equipment cover or when joined with other 'add-on' sections it can become an entrance canopy or walkway ideal for large shopping centres. The transparent polycarbonate or acrylic roof sheets mean that there is maximum visibility and light.

The FalcoRondo carport has a standard width of 2.5m and with options of 4.8m, 5.4m or 6.0m it is an very flexible unit capable of extending to any length.

Side walls are available as an option and the hot dip galvanised steelwork can be powder coated in any of the 192 RAL colours to co-ordinate with a particular design scheme.

**FalcoRondo carport**





## FALCOINDY

The FalcoIndy is a more traditional style of canopy very much in the 'budget' category, but with one big advantage – it can be up to 3m deep, offering a potential 9m<sup>2</sup> base storage area.

The standard product can be offered with optional mesh sides and rear panels, plus with the addition of front gates it can become an ideal secure storage unit for materials and tools – specifically due to the high visibility it provides.

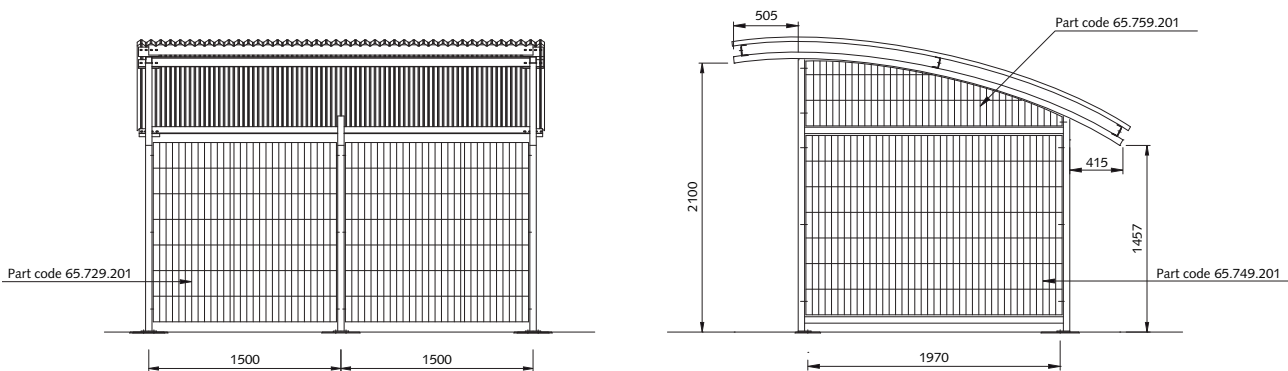
The structure is bolt down making it simple to install, requiring only a flat concrete pad. The FalcoIndy roof sections are manufactured from curved aluzinc sheets and the robust steel structure is hot dip galvanised to BS EN ISO 1461 as standard.

Additionally the shelter can be powder coated in any of the 192 colours of the RAL colour register.

## FALCOINDY

Part code	Description
65.700.000	FalcoIndy single sided starter section, roof of aluzinc profile sheets, length 3000 mm
65.710.000	FalcoIndy single sided add-on section, roof of aluzinc profile sheets, length 3000 mm
65.729.201	back wall existing of 1 intermediary column and 2 grid mats
65.749.201	end wall, filling in mesh steel for lower rectangular part of FalcoIndy
65.759.201	end wall, filling of upper part of shelter in mesh steel

## FalcoIndy





FALCOSPAN	
Part code	Description
21.023.000	roof, 2220x2220 mm (without uprights)
21.024.000	roof, 2750x2220 mm (without uprights)
21.025.000	roof, 3280x2220 mm (without uprights)
21.026.000	roof, 3810x2220 mm (without uprights)
21.027.000	roof, 4340x2220 mm (without uprights)
21.028.000	roof, 4870x2220 mm (without uprights)
21.029.000	roof, 5400x2220 mm (without uprights)
21.144.000	supporting column 120x120 mm as starter or end support, up to roof depth 2220 mm
21.144.100	supporting column 120x120 mm as intermediary support, up to roof depth 2220 mm
21.152.000	prefab roof joining frame, galvanised, length 2220 mm when using 21.144.100

**FALCOSPAN**

The FalcoSpan series of canopies offers great flexibility when providing an uncomplicated weather shelter. An exceptionally attractive and open shelter, very simple construction and great aesthetics.

Useful for smoking shelters, walkways, canopies, cycle shelters and general waiting areas, the FalcoSpan can cover every option.

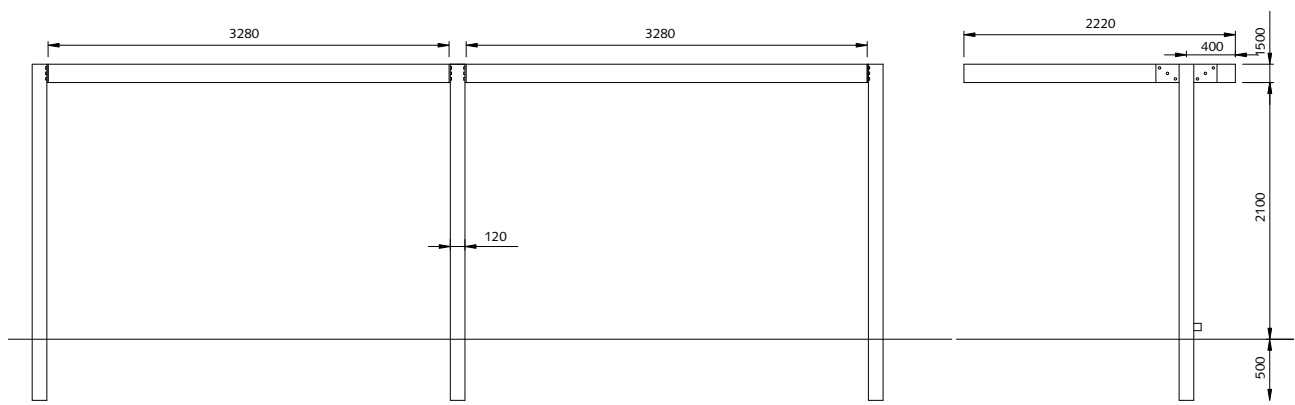
The cantilevered design is topped with a robust roof section which contains integral gutters enabling waste water to be discharged at ground level via the supporting uprights.

In two standard depths – 1,690mm and 2,220mm – the FalcoSpan is available in five different widths providing huge flexibility:

- 2,220mm
- 3,280mm
- 4,340mm
- 4,870mm
- 5,400mm

The standard roof sheets are in aluzinc corrugated metal, but other options are available if you require something to let the light in.

**2x Part code 21.025.000 + 2x Part code 21.144.000 + 1x Part code 21.144.1000**





## FALCOSPAN

The FalcoSpan shelter is available with optional side panels to create a weather shelter or smoking shelter. The panels of safety glass are mounted on the canopy uprights and provide great weather protection whilst allowing maximum visibility.

Falco manufactures a full range of benches and litter bins to complement the shelter and can advise on suitable products to accompany the design.

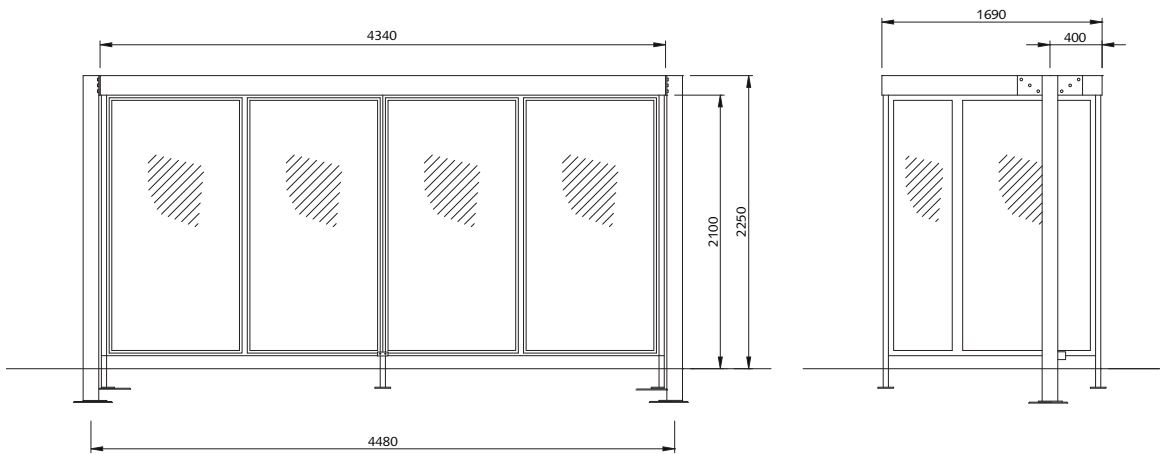
At Falco we employ our own installation teams and can advise on design, siting and installation issues. The flexibility of the FalcoSpan range means that there is a solution to most canopy requirements.

**N.B.** Details CAD schematics and plans are available on request from our design department.

## FALCOSPAN

Part code	Description
21.013.000	roof, 2220x1690 mm (without uprights)
21.015.000	roof, 3280x1690 mm (without uprights)
21.016.000	roof, 3810x1690 mm (without uprights)
21.017.000	roof, 4340x1690 mm (without uprights)
21.018.000	roof, 4870x1690 mm (without uprights)
21.019.000	roof, 5400x1690 mm (without uprights)
21.153.000	prefab joining roof frame 1690 mm
21.230.000	end support for glass wall
21.231.000	corner support for glass wall
21.233.170	glass wall width 2220 mm
21.235.170	glass wall width 3280 mm
21.237.170	glass wall width 4340 mm

### FalcoSpan 4340x1690 mm, with glass walls





**FALCOTEL-E**

Part code	Description
23.000.000	FalcoTel-E base section, roof of corrugated metal sheeting, length 4000mm
23.010.000	FalcoTel-E add-on section, roof of corrugated metal sheeting, length 4000mm
23.020.000	back wall with corrugated metal sheeting
23.028.000	back wall with hardwood lattice work
23.040.000	end wall with corrugated metal sheeting
23.048.000	end wall with hardwood lattice work

**FALCOTEL**

The FalcoTel range is another popular modular product capable of meeting most applications.

There are a wide number of configurations of the FalcoTel family from a simple open canopy or double sided unit to a secure lockable store or wall mounted canopy.

The pitched roof means all rain water is directed towards the rear of the store and away from the door areas.

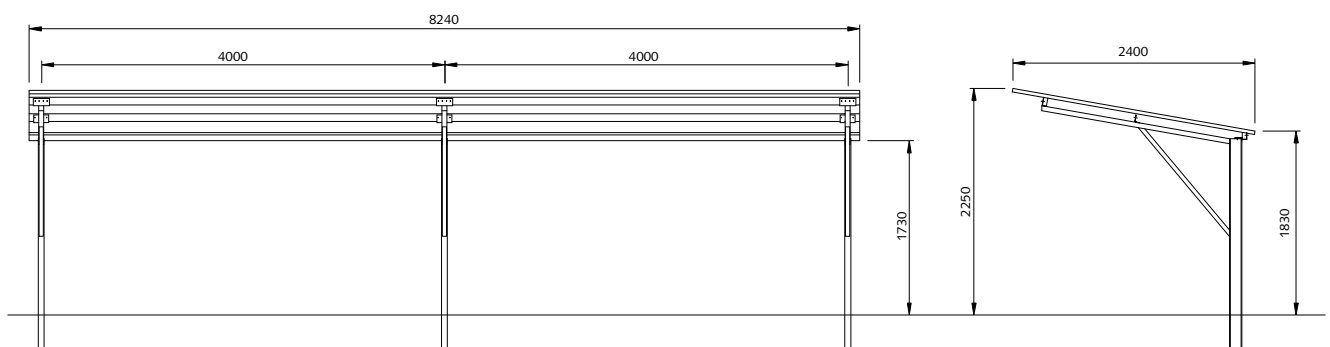
**FALCOTEL-E**

This is the basic building block of the range with uprights and the roof section – a very affordable and simple design.

By adding back and side walls, the FalcoTel-E can be supplied as an enclosed shelter with optional cladding in hardwood, corrugated metal sheets or steel mesh to meet various design schemes. Like most Falco products, the shelter is modular enabling it to be extended as required.



1x Part code 23.000.000 + 1x Part code 23.010.000





## FALCOTEL-D

The FalcoTel-D is a double sided variant of the FalcoTel-E. With a distinct 'Y' shaped section, the FalcoTel-D has great symmetrical lines as well as complimenting the single sided version of the range.

As an 'island' unit, the FalcoTel-D can be used as a stand alone unit or in rows to create a large storage compound.

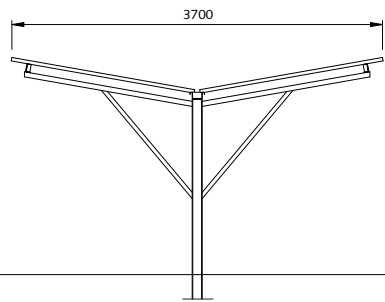
The pitched roof section channels rainwater to the centre of the structure where it is collected in a gutter and discharged via a drain pipe to ground level.

As with the single sided version, cladding is available for the end panels enabling designers to add playful variations to the scheme. The standard module is 4,000mm between the centres of the uprights and the canopy has a span of 3,700mm.

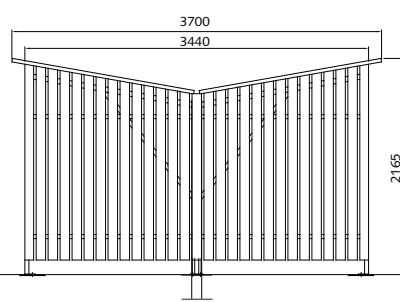
## FALCOTEL-D

Part code	Description
23.500.000	FalcoTel-D base section with roof of aluzinc corrugated sheets, length 4000mm
23.510.000	FalcoTel-D add-on section with roof of aluzinc corrugated sheets, length 4000mm
23.540.000	prefab side frame with aluzinc sheets and diagonal top
23.548.000	end wall with hardwood lattice work, slanting form
23.550.300	prefab pointed side frame with aluzinc sheets and diagonal top
23.558.300	prefab pointed side frame with hardwood slats and diagonal top

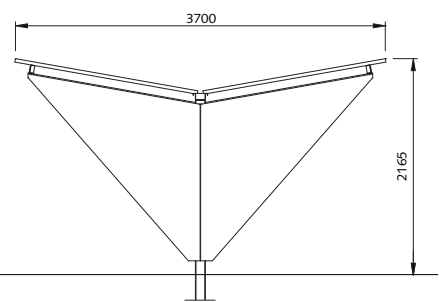
without end wall



FalcoTel-D  
end wall with hardwood work



end wall with diagonal top





FALCOTEL-K	
Part code	Description
23.201.000	FalcoTel-K base section with polyester roof sheets, length 4000mm
23.211.000	FalcoTel-K add-on section with polyester roof sheets, length 4000mm
23.228.000	rear wall with hardwood slats on steel purlins
23.238.000	front wall with hardwood slats large 95mm on steel purlins
23.248.000A	prefab side frame on base plates with single door type A with hardwood slats large 95 mm
23.248.000B	prefab side frame on base plates with single door type B with hardwood slats large 95 mm
23.248.000C	prefab side frame on base plates with single door type C with hardwood slats large 95 mm
23.248.000D	prefab side frame on base plates with single door type D with hardwood slats large 95 mm

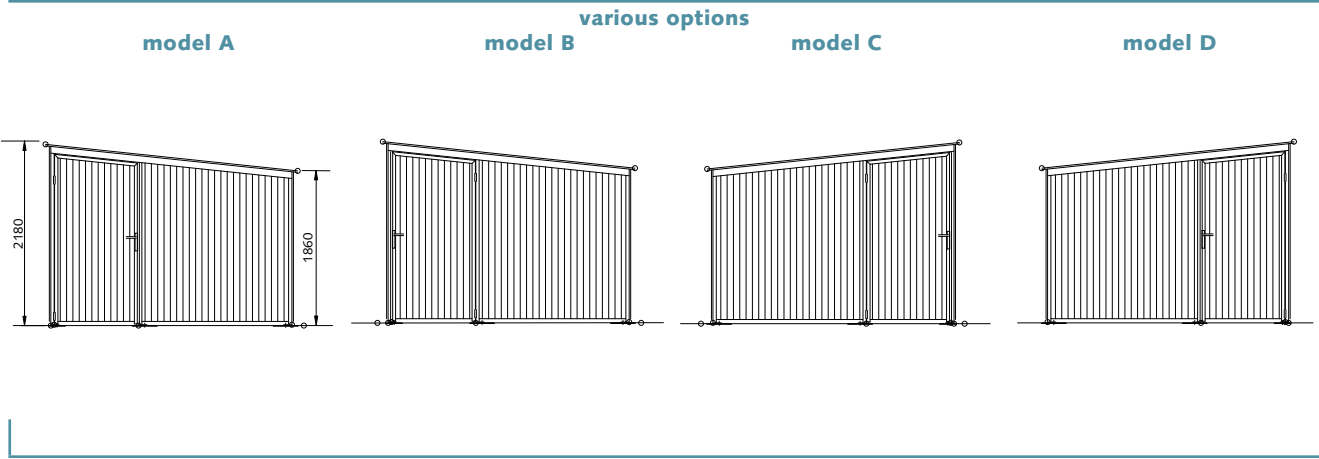
**FALCOTEL-K**

The FalcoTel-K enables the FalcoTel range to become a secure store. At 2,900mm deep, the FalcoTel-K is slightly deeper than the standard range and is ideal for cycle storage enabling cyclists to manoeuvre their bikes in and out safely.

The store can be clad in a variety of finishes including hardwood slats, corrugated aluzinc sheets or wire mesh.

There are a number of permutations for positioning the door (see diagram for some examples) with a single or double doors able to be positioned in either the front or side walls, the shelter also comes complete with a Europrofile cylinder lock.

Like all Falco products, the steel work is hot dip galvanised to BS EN ISO 1461 and can be polyester powder coated in any of the 192 RAL colours.





## FALCOTEL-L

The FalcoTel-L is the wall mounted version of the FalcoTel range. A highly economical canopy requiring a sturdy wall for bolting to, it can be used for loading bays, entrances, stores etc.

The canopy provides coverage of 4,000mm widthways and is 2,400mm deep, the roof sheets are manufactured from corrugated aluzinc sheets.

It can be mounted at any height from the floor, though a standard distance of 2095mm is recommended.

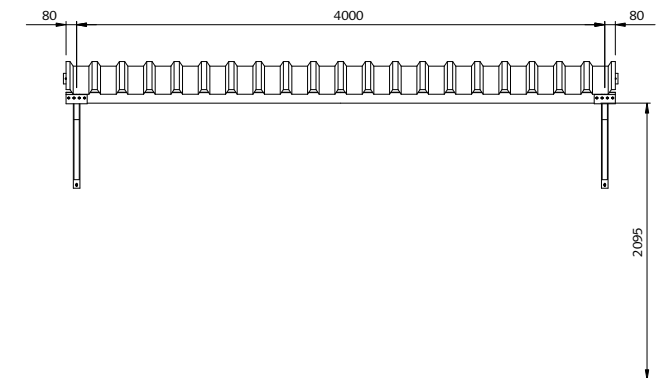
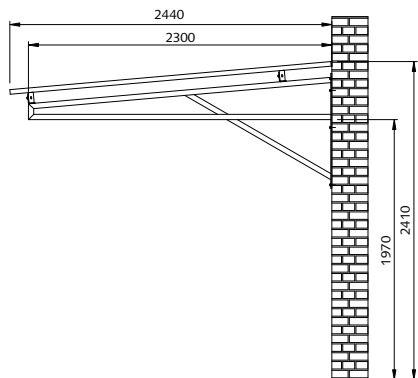
Framework is hot-dip galvanized to BS EN ISO 1461 and can be powdercoated in any of the 192 RAL colours.

## FALCOTEL-L

Part code	Description
23.300.000	FalcoTel-L starter section, length 4000 mm
23.310.000	FalcoTel-L add-on section, length 4000 mm
23.350.000	side wall in corrugated metal sheeting
23.357.000	side wall in pinewood slats
23.358.000	side wall in hardwood slats



### FalcoTel-L





FALCOZAN-360, DOUBLE SIDED	
Part code	Description
27.103.000	FalcoZan-360 double sided base section with aluzinc roof sheets
27.113.000	FalcoZan-360 double sided add-on section with aluzinc roof sheets
27.443.000	prefab wall covering with aluzinc sheets
27.448.000	side wall covering with hardwood lattice work

**FALCOZAN-360**

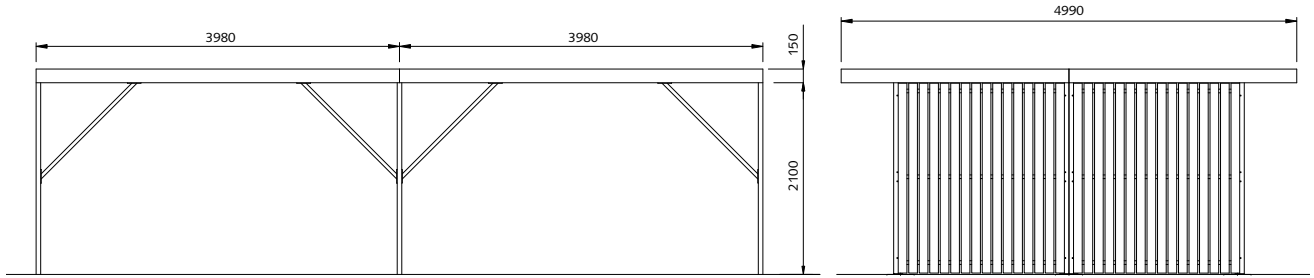
The FalcoZan-360 is the double sided version of the range. By placing two single shelters back-to-back, it is easy possible to create a 5m deep shelter whilst retaining the wide 4m opening front and back. Additionally, more shelters can be placed side to side to create a covered area of virtually any size.

All steelwork is hot dip galvanised as standard and the roof sheets are manufactured from 0.75mm corrugated aluzinc sheets.

The FalcoZan family of shelters are bolt down products and as such are quick and simple to install on a water flat concrete base. Falco employs its own installation engineers and we can offer full contract management of the supply and erection of your shelter product.



FalcoZan-360, series 27.1, base section with one add-on section





## FALCOZAN

The FalcoZan range is a neat and simple design of open shelter, ideal for any application. Available in both single and double sided versions, the FalcoZan is a vandal resistant steel shelter with optional side cladding in hardwood slats, corrugated aluzinc sheets or other finishes on application.

The standard 4m wide shelter has a steel fascia integral to the roof section which also has a rainwater collection/outlet.

## FALCOZAN-180, SINGLE SIDED

The FalcoZan-180 is the single sided version of the product range. A base module is 3,980mm wide x 2,495mm deep, with a free head height of 2,100mm. The base module can be added to - to create a shelter as wide as required, by using standard 'add-on' units.

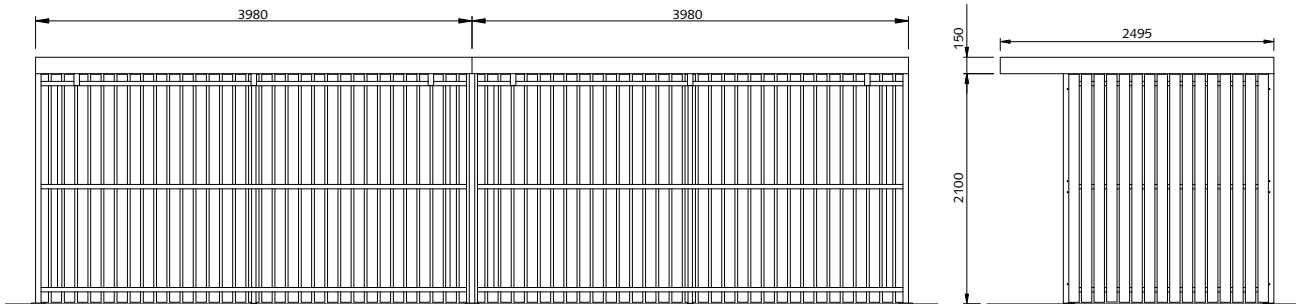
The steelwork and roof are hot dip galvanised as standard with an option to polyester powder coat on top of this substrate if required.

## FALCOZAN-180, SINGLE SIDED

Part code	Description
27.003.000	FalcoZan-180 single sided base section with aluzinc roof sheets
27.013.000	FalcoZan-180 single sided add-on section with aluzinc roof sheet
27.423.000	wall with aluzinc sheets 1 mm on steel frame
27.428.000	back or side wall with hardwood lattice work 95mm
27.443.000	prefab end wall covering, of aluzinc corrugated sheets 1mm
27.448.000	side wall covering with hardwood lattice work



## FalcoZan-180, series 27.0, base section with one add-on section





1 FALCOFOX, SINGLE SIDED	
Part code	Description
26.600.008	FalcoBase single sided shelter, base section with roof of aluzinc sheets
26.610.008	FalcoBase single sided shelter, add-on section with roof of aluzinc sheets
26.628.000	prefab back wall with hardwood lattice work on steel frame
26.648.000	prefab side wall with hardwood lattice work
2 FALCOFOX, DOUBLE SIDED	
artikelnr.	omschrijving
26.700.008	FalcoBase double sided shelter, base section with roof of aluzinc sheets
26.710.008	FalcoBase double sided shelter, add-on section with roof of aluzinc sheets
26.748.000	prefab side wall with hardwood lattice work
3 FALCOFOX, COMBI	
artikelnr.	omschrijving
26.800.008	FalcoBase combi shelter, base section with roof of aluzinc sheets

**FALCOFOX**

The FalcoFox is a simple, solid shelter range. The range is available in single, double-sided and combi versions. All variants come with an integral gutter and galvanised steel drain as standard. The shelter has a 190mm high hard wood fascia all round as a standard finish. The range is also available with walls clad in other materials including profiled Aluzinc sheets or hardwood tongue and groove.

**1 FALCOFOX, SINGLE SIDED**

The single sided variant has a depth of 2580mm and a free head height of 2100mm. As with most Falco shelters, the roof slopes towards the rear. The roof has profiled aluzinc roof sheets as standard mounted on robust steel purlins. Overall width opening at the front is 4000mm.

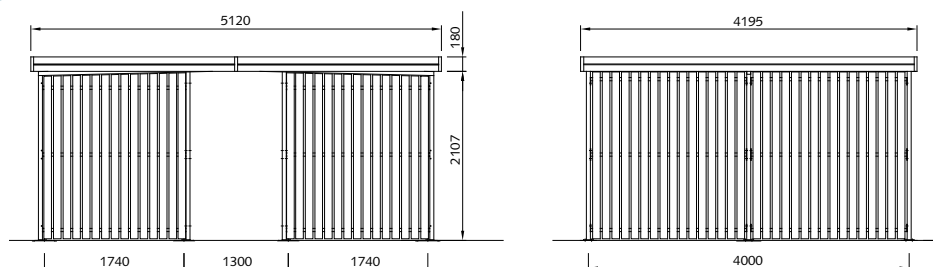
**2 FALCOFOX, DOUBLE SIDED**

The double-sided version has an overall depth of 4970mm with the side wall actual length of 3650mm. The front opening width is 4000mm. You can choose from various side walls for the cladding.

**3 FALCOFOX, COMBI**

The FalcoFox can also be implemented as combi version with the equivalent of two single sided shelters installed face to face creating a door opening. The version can be expanded with 'add-on' sections both in depth and width to create an unlimited shelter size. Overall width is 5120mm with a depth of 4000mm.

**FalcoFox, serie 26.8 (combi variant)**





## FALCOLOK

The FalcoLok store is a very versatile range of shelters providing lockable secure store in a modular range and can be supplied in 2,500mm, 3000mm or 5000mm modules, up to any size. Useful for storing a wide range of items such as; cycles, equipment, bins etc, the FalcoLok is a robust and vandal resistant utilitarian product but in a great design.

Available in a range of claddings – hardwood slats, corrugated aluzinc sheets or wire mesh, the FalcoLok is a great addition to any design scheme.

## FALCOLOK-250

The FalcoLok 250 is the smallest version of the FalcoLok range. It measures 2,500mm across the front x 3,980mm deep, with a door in the front section as standard (though it is optional to place one in the side). The store has an overall height of 2,250mm and a free head height of 2,100mm.

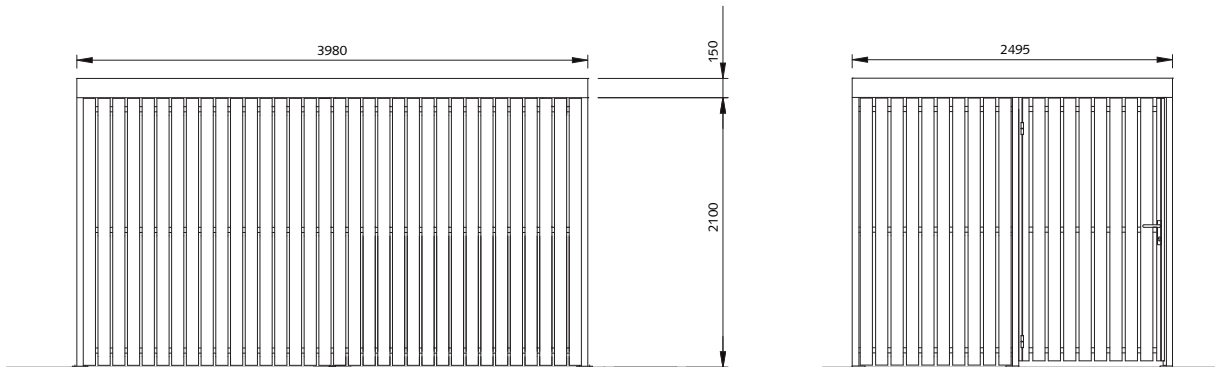
The FalcoLok range is bolt down making it an easy product to install.

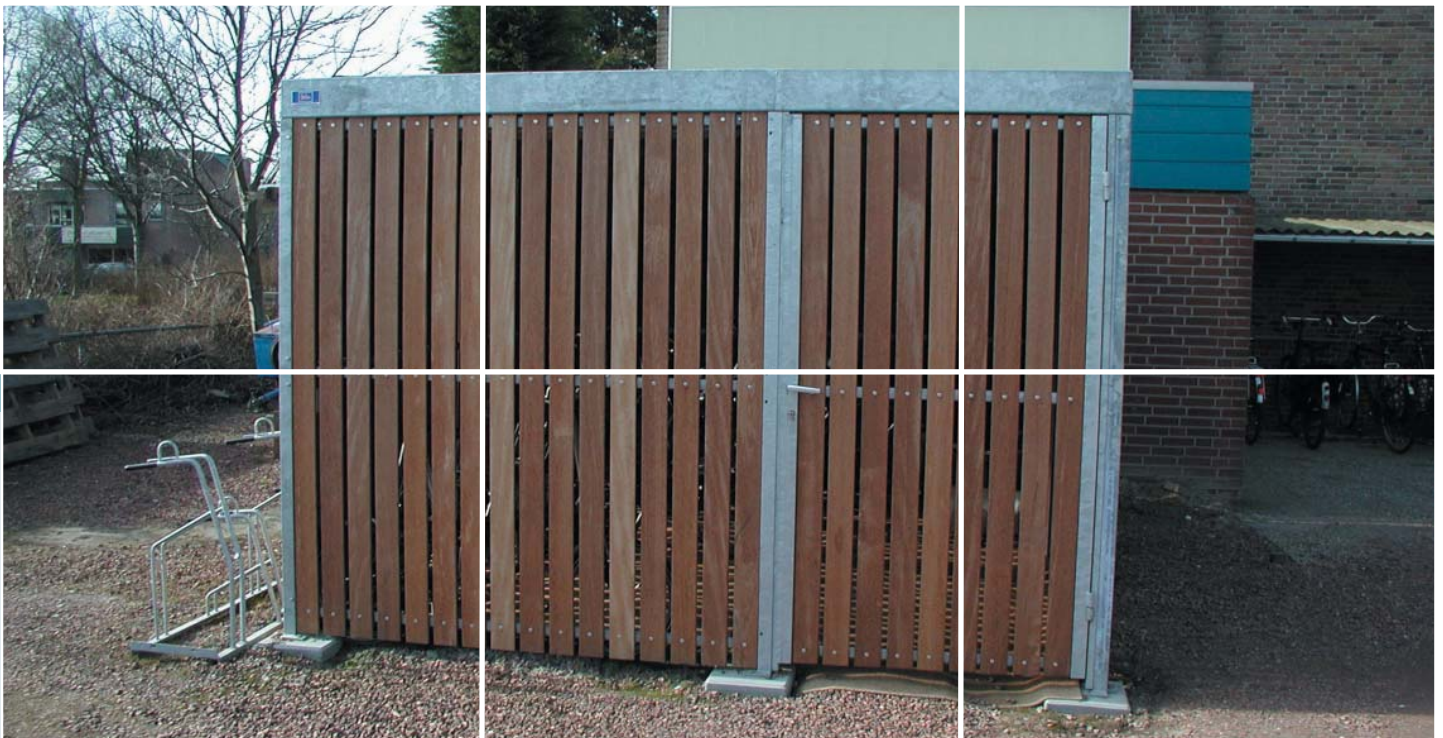
## FALCOLOK-250

Part code	Description
27.503.000F	FalcoLok-250 base section with aluzinc roof sheets, with single door, left
27.528.000	side wall with hardwood lattice work 95mm
27.548.000	end wall with hardwood lattice work 95mm, closed
27.558.000	end wall with hardwood lattice work 95mm, with single door, left



FalcoLok-250 with single door, DIN left





FALCOLOK-300	
Part code	Description
27.553.000	FalcoLok-300 base section with aluzinc roof sheets, roof in 2 parts
27.423.000	wall with aluzinc sheets 1 mm on steel frame
27.428.000	back or side wall with hardwood lattice work 95mm
27.443.000	prefab wall covering with aluzinc sheets 1 mm
27.448.000	side wall covering with hardwood lattice work
27.453.000	walk way shut in aluzinc profile sheets 1 mm
27.458.000	walkway shut off with hardwood lattice work, large 95mm
27.463.000	single door with aluzinc profile sheets 1 mm, on steel frame, right
27.468.000	single door with hardwood lattice work, right, clear width 110 cm

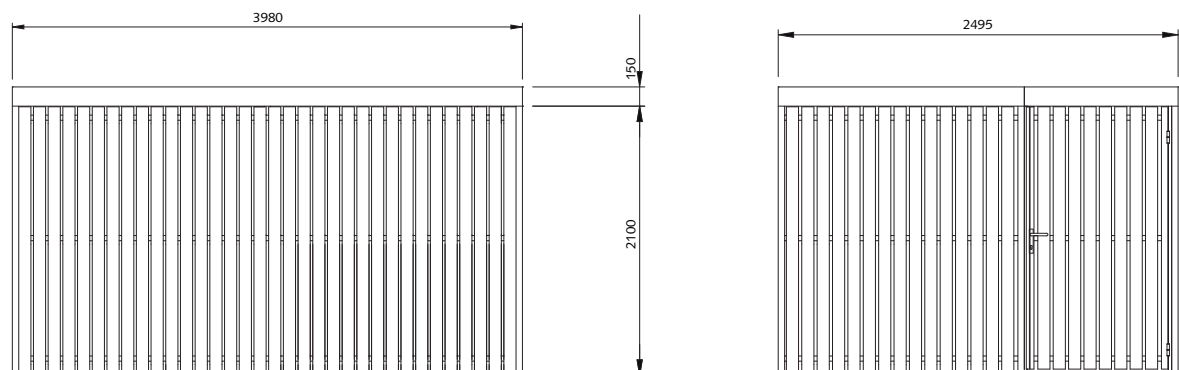
**FALCOLOK-300**

The FalcoLok-300 is a larger variant of the FalcoLok range measuring 3,120mm at the front x 3,980mm deep. The height is the same as for all the FalcoLok products – 2,250mm overall height and 2,100mm free head height. Again there are options to place a door in the side rather than the front of the store, and again options add-onto the unit in virtually any direction to create a store of your own bespoke size or shape.

The roof sheets on the FalcoLok series are standard 1mm thick aluzinc, creating a robust and long lasting store. The rainwater on the sheets is directed into the roof fascia which channels the water to drainpipes for the dispersion of water to ground level.

All steelwork on the FalcoLok series is hot dip galvanised to BS EN ISO 1461 and can be additionally powder coated in any of the 192 RAL colours if required.

**FalcoLok-300 with single door**





## FALCOLOK-500

The FalcoLok 500 is the big brother of the FalcoLok family. With a standard module size of 4,990mm across the front and a depth of 3,980mm the FalcoLok 500 is a very large equipment/cycle store housed under a single roof span without internal supports.

As with all products in the range, the FalcoLok 500 can be extended both widthways and in depth, with the option to add doors on both the longer front or shorter side walls.

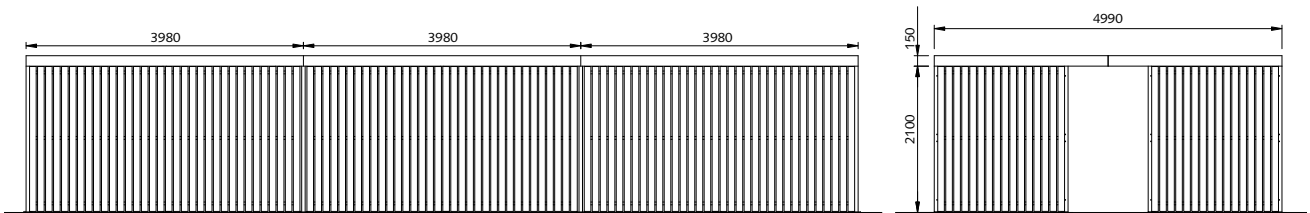
Installed by many local authorities as well as on private sites, the FalcoLok range is a unique storage solution offering great aesthetic qualities where a utilitarian store is required to not just house equipment but also look good and blend in with the overall design scheme.

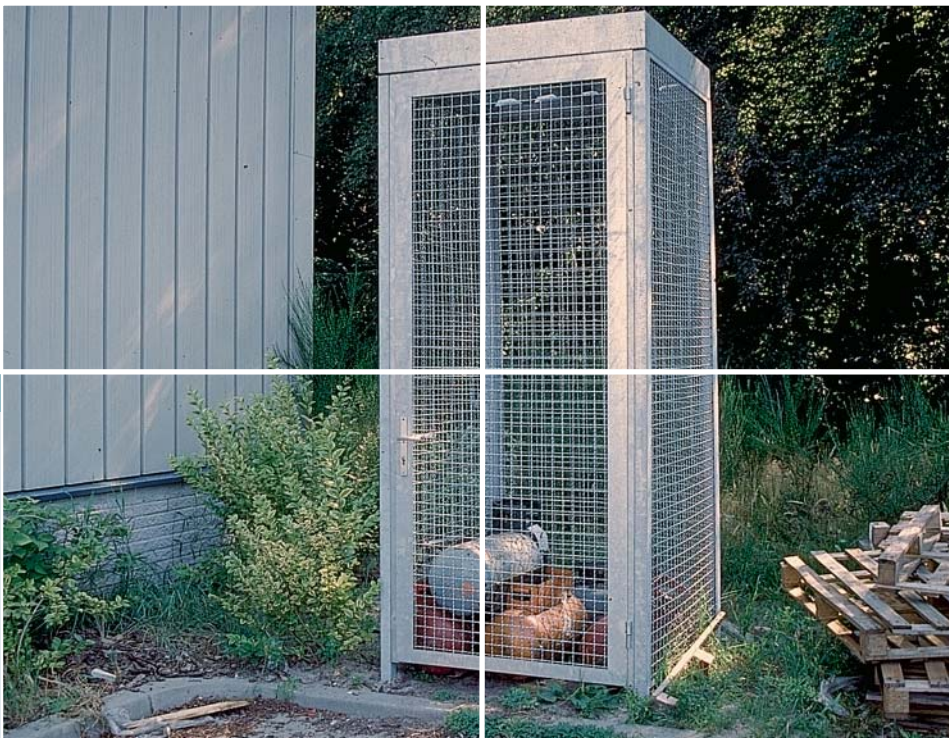
All doors are supplied with a Europrofile cylinder lock for added security and can be arranged in either a single or double arrangement.

## FALCOLOK-500

Part code	Description
27.203.000	FalcoLok-500 base section with aluzinc roof sheets
27.213.000	FalcoLok-500 add-on section with aluzinc roof sheets
27.428.000	back or side wall, 2 parts, with hardwood lattice work 95mm
27.429.081	prefab steel wall, 2 parts, covered with perforated sheets of thick 2 mm
27.448.000	side wall covering with hardwood lattice work
27.449.081	single prefab end wall cover galvanised perforated sheets thick 2 mm
27.458.000	walkway shut off with hardwood lattice work
27.459.081	walkway shut off with perforated sheets 2 mm
27.468.000	single door with hardwood lattice work, DIN right
27.469.081	single door with perforated sheets 2 mm on steel frame, right
27.680.000	drainpipe spout on roof element
27.684.000	drainpipe Ø60 mm mounted at roof join
27.684.100	drainpipe spout Ø60mm

## FalcoLok-500, series 27.





FALCOTRAZ	
Part code	Description
69.800.000	wall element, dim. 530x2,500 mm
69.801.000	wall element, dim. 1,060x2,500 mm
69.805.000	single door, dim. 1,060x2,500 mm
69.806.000	double door, dim. 2,120x2,500 mm
69.872.000	column 50x50 mm, length 2500 mm
69.862.000	rain pipe, round 60 mm, length 2500 mm

**FALCOTRAZ**

The FalcoTraz modular storage system is a very versatile storage cage or lock-up. It can be used to house virtually anything; gas bottles, play equipment, grounds maintenance equipment, sports equipment or cycles. The unit comes in standard 0.5m or 1.0m panels enabling the designer to create a store which fits the space you have available. The FalcoTraz is also higher than standard stores with 2,500mm high panels. The doors are lockable using high security Europrofile cylinder locks and can be placed single or double as often as required.

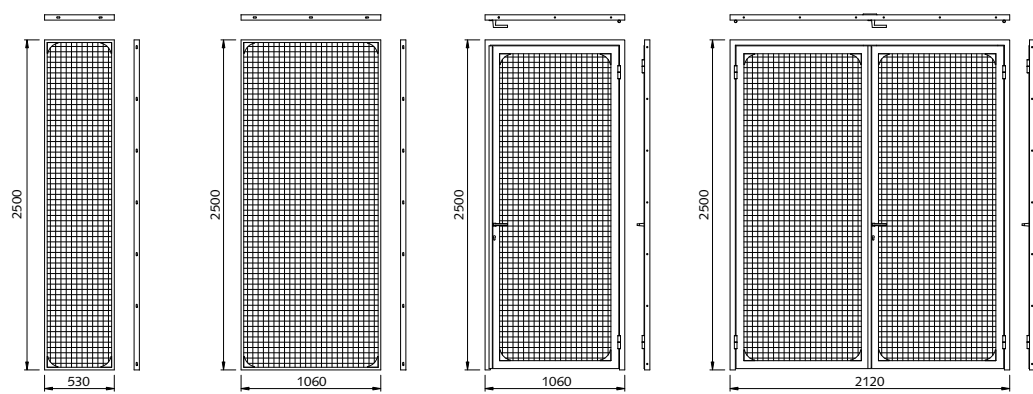
The FalcoTraz store can be clad in aluzinc panels as well as the standard mesh finish to create an enclosed space keeping valuable equipment away from prying eyes.

Additionally, the store is also very robust to minimise an attempts at vandalism or illegal entry.

All steelwork is hot dip galvanised to BS EN ISO 1461 and can be polyester powder coated in any of the 192 RAL colours.



FalcoTraz    69.800.000    69.801.000    69.805.000    69.806.000





## FALCOGRAND

The largest of the Falco range of stores, the FalcoGrande is a shelter for heavy plant and equipment or vehicles or even our two tiered cycle storage system.

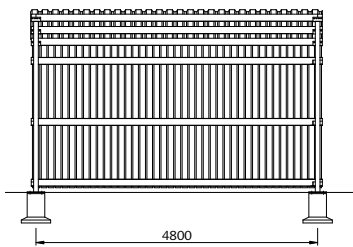
With a free head height of 3,060mm at the front sloping to 2,625mm at the rear, the FalcoGrande has huge capacity. The front opening is 4,800mm to enable large construction plant access and if required front walls with single or double doors are available. The roof has standard 0.75mm aluzinc sheets and rainwater is directed to integral gutters and downspouts.

All steel work is hot dip galvanised to BS EN ISO1462 and can be powder coated if required.

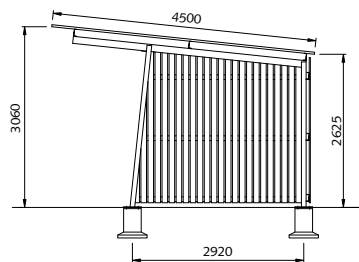
## FALCOGRAND

Part code	Description
67.300.000	FalcoGrande starter section, single sided
67.310.000	FalcoGrande add-on section, single sided
67.320.000	back wall in aluzinc sheets
67.328.000	back wall in hardwood
67.340.000	side wall in aluzinc sheets
67.348.000	side wall in hardwood
67.350.000	prefab end wall with aluzinc profiled sheets on steel frame
67.358.000	prefab end wall with hardwood slats large 95mm on steel frame, joist depth with straight front column

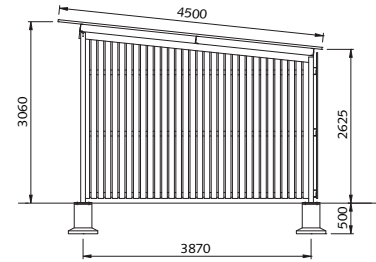
FalcoGrande shelter 67.3



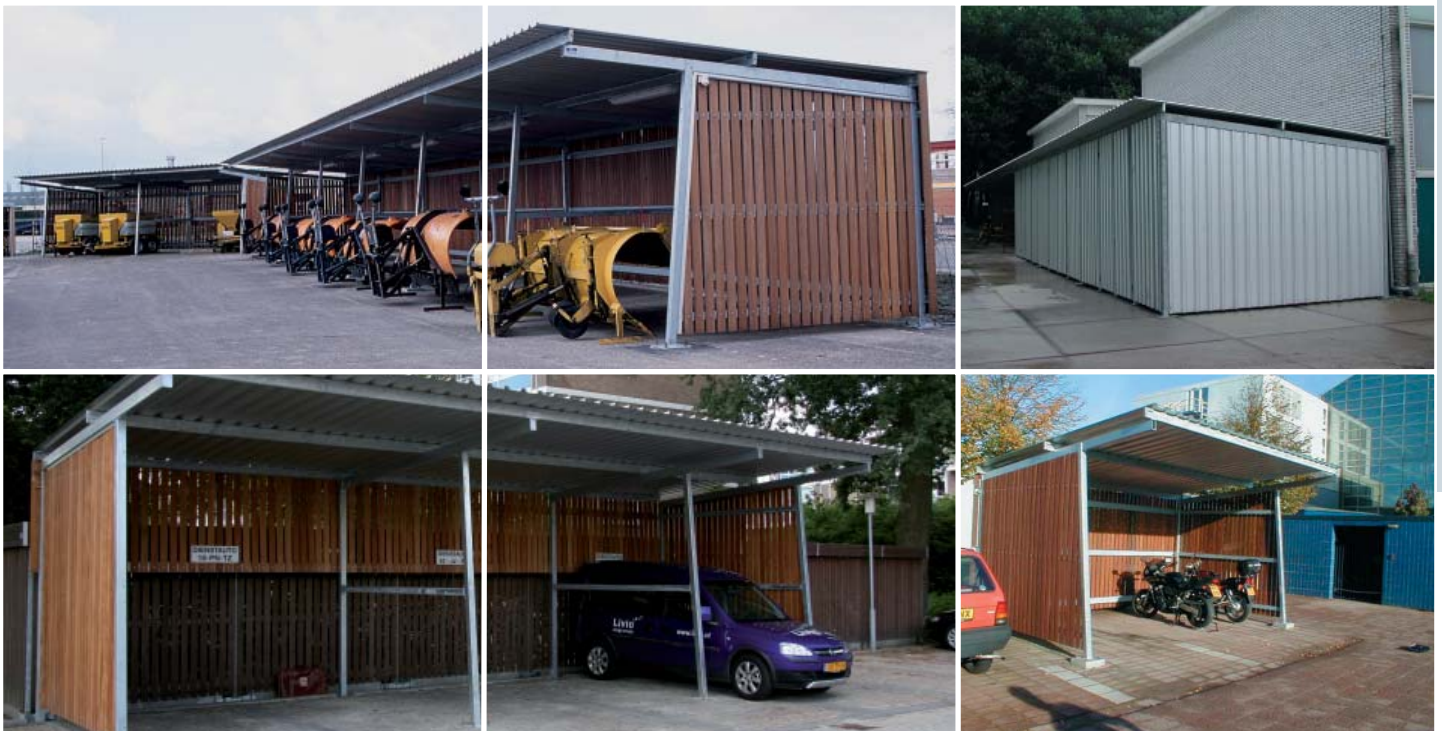
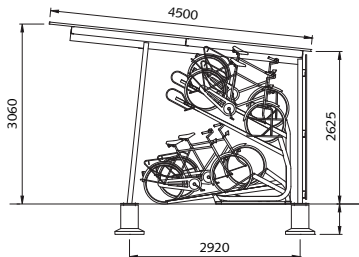
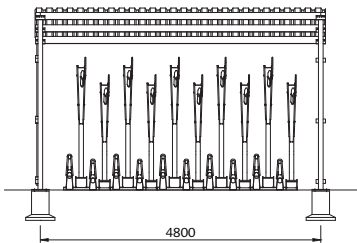
with side wall 67.348.000



with side wall 67.358.000



FalcoGrande shelter with cycle parking system FalcoFriendly (pages 198 and 199)





1



1



2

1 FALCOMAX, SERIES 29.3	
Part code	Description
29.350.002	FalcoMax base section, roof with profiled aluzinc sheets
29.360.002	FalcoMas add-on section, roof with profiled aluzinc sheets
29.320.000	back wall, with profiled aluzinc sheets

2 FALCOMAX, SERIES 29.5	
Part code	Description
29.500.002	FalcoMax base section, roof with profiled aluzinc sheets
29.510.002	FalcoMax add-on section, roof with profiled aluzinc sheets

options, the FalcoMax is a very versatile unit. Giving a very sturdy appearance, the all round fascia board is powder coated or in colour or transparent coating as standard and provides the FalcoMax with a face for adding graphics if required.

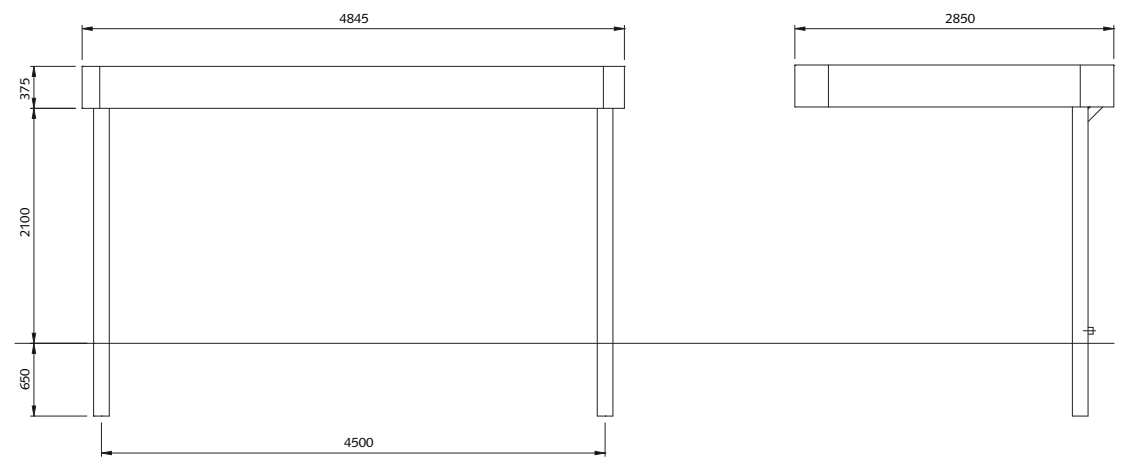
**1 FALCOMAX SINGLE SIDED, SERIES 29.3**  
 The great benefit of the FalcoMax 29.3 series is that it is mounted on two legs, positioned 4,500mm centre to centre. Embedded into concrete this design means the minimum of floor interference with maximum coverage. The canopy depth is 2,850mm and has an integral gutter system with standard 0.75mm aluzinc roof sheets. The fascia board is 375mm high and the canopy has a free head height of 2,100mm.

**2 FALCOMAX DOUBLE SIDED, SERIES 29.5**  
 The double-sided 29.4 variant is mounted as the single sided but with a total roof span of 5,100mm square. With the legs mounted centrally along the depth of the shelter. This really does offer Maximum shelter with the minimum of disruption and groundwork.

**FALCOMAX**

The FalcoMax design is a straight forward range of canopies which offer maximum coverage but use the minimum of floor space - an ideal solution when coverage is the key issue. In five standard variants utilising single sided or double sided, two leg or four leg

**FalcoMax, series 29.3**





## FALCOMAX, SERIES 29.6, 29.7, 29.8, 29.9

The FalcoMax 29 series is the four legged version of the FalcoMax product range and the style is very simple and appealing. Again, the product family offers huge coverage with the minimum of site disruption in terms of groundwork and as a bolt down product is quick and simple to install. As with the 29.

The fascia is smaller than the two legged option at 150mm and comes hot dip galvanised as standard. If required, timber slatted or mesh side walls can be added along with gates to make a secure storage area.

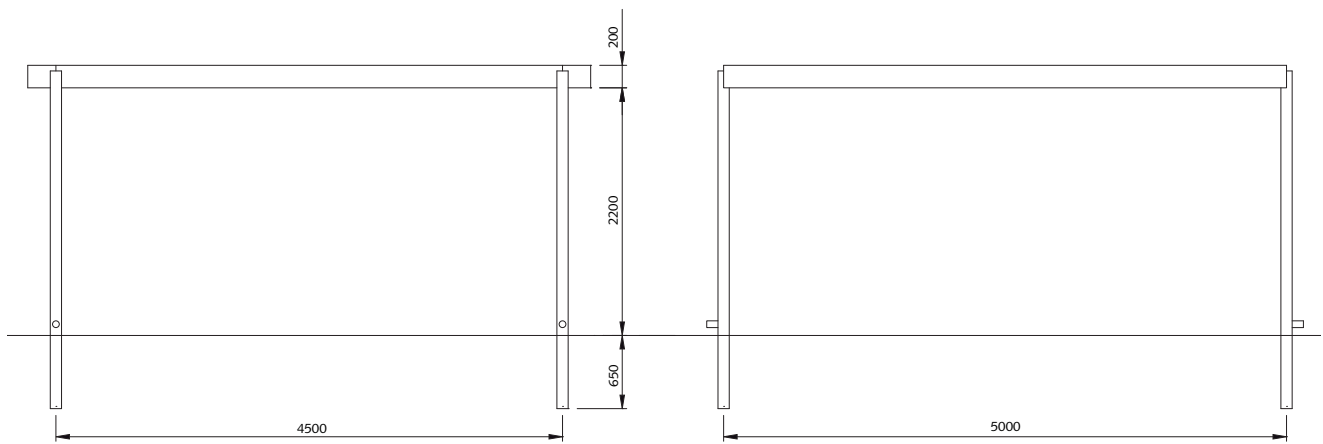
## OPTIONS

The variants for the four legged series offer great flexibility in terms of size with starter modules in widths of 3m up to 6m, with a choice of depths. These can then be simply added together to create a store or walkway of any size. This type of shelter is ideally suited to vehicle parking bays, disabled parking bays or entrance canopies where vehicular access is required.

## FALCOMAX, SERIES 29.6, 29.7, 29.8, 29.9

Part code	Description
29.600.003	FalcoMax starter section, single sided 5x3 metres
29.600.103	FalcoMax add-on section, single sided 5x3 metres
29.700.003	FalcoMax starter section, single sided 5x4 metres
29.700.103	FalcoMax add-on section, single sided 5x4 metres
29.800.002	FalcoMax starter section, single sided 5x5 metres
29.800.102	FalcoMax add-on section, single sided 5x5 metres
29.900.002	FalcoMax starter section, single sided 5x6 metres
29.900.102	FalcoMax add-on section, single sided 5x6 metres

## FalcoMax, series 29.8





NAVAHO	
Part code	Description
65.500.000	Navaho starter section, dim. 5,000x5,000mm
65.500.700	additional price for powdercoating of steel construction in RAL colour
65.500.712	additional price for powdercoating of roof sheets, double-sided
65.510.000	Navaho add-on section
65.510.700	additional price for powdercoating of steel construction in RAL colour
65.510.712	additional price for powdercoating of roof sheets, double-sided

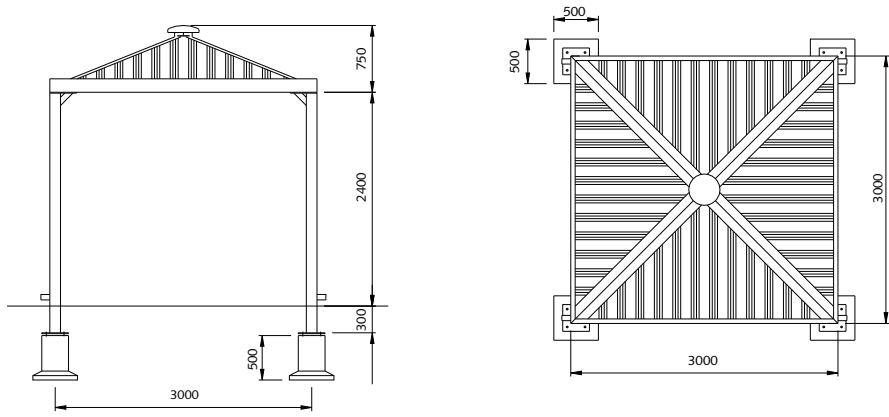
**NAVAHO**

The Navaho is a really versatile shelter. With a 5m x 5m span it is an ideal structure for; smoking, recreation, shelter from the elements - especially in school areas - or even somewhere to put the barbeque! Available with coloured roof panels you can create a matrix pattern an a highly colourful covered area. With a free head height of 2,400mm, the large dimensions coupled with integral rainwater disposal system make this a great value shelter.

There are now 3m and 4m versions of the canopy available, making the range very versatile.

The hot dip galvanised steelwork can also be polyester powder coated in any of the 192 RAL colours.

Navaho, 300x300 cm





## 1 NAVAHO WALL ELEMENTS

There are several options to close one or more sides of the Navaho shelter.

Generally the transparent option is chosen with safety glass panels. Other options are aluzinc profiled steel sheets or wooden slats.

You can also make a storage shelter and then enter with a single or double door.

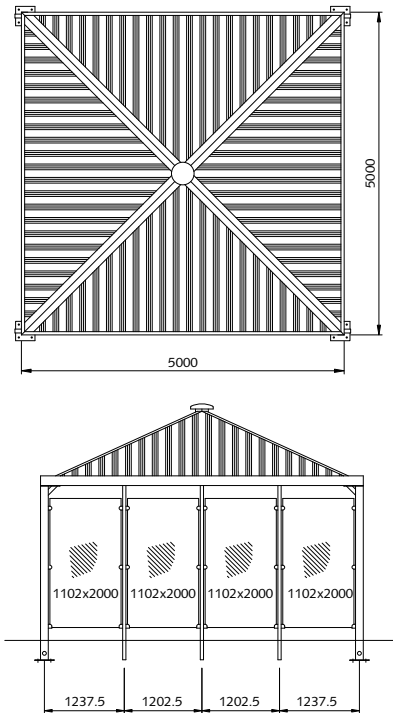
## 2 STANDING TABLES

Next to litter bins, benches and ash trays we can also supply standing tables with integrated ash trays!

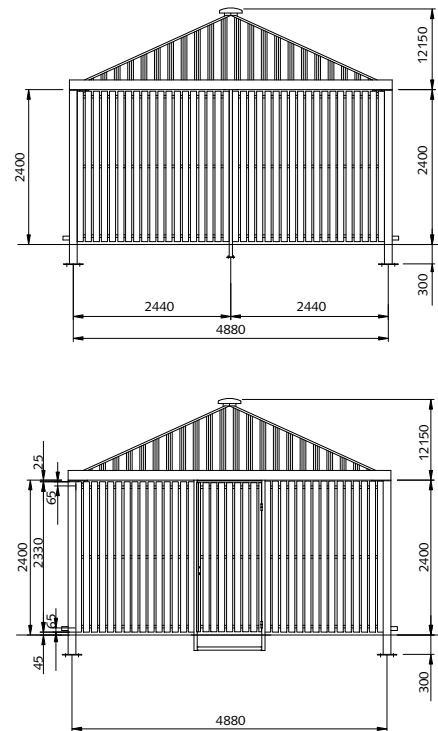
## 1 NAVAHO WALL ELEMENTS

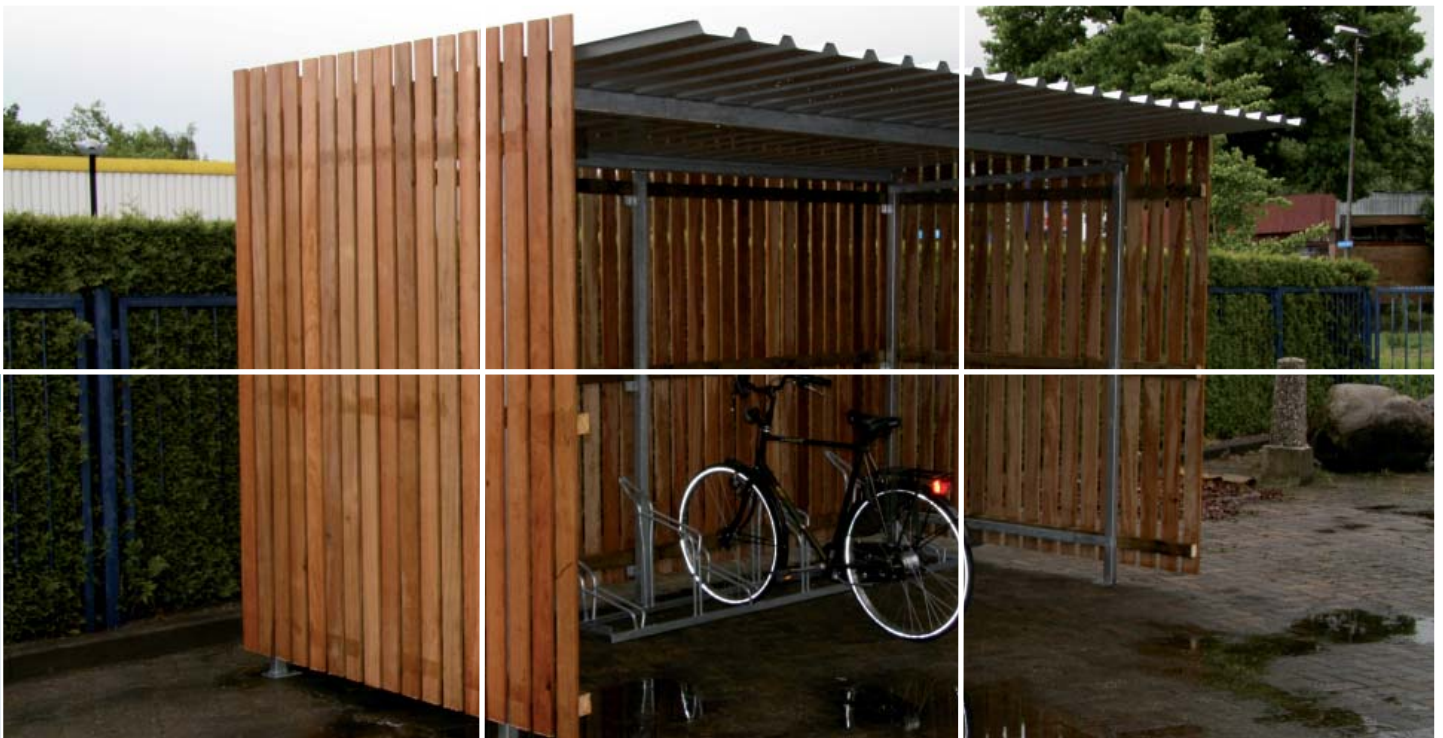
Part code	Description
65.520.000	side wall in aluzinc profiled steel sheets
65.520.700	additional charge for powdercoating steel construction in RAL colour
65.520.712	additional charge for powdercoating steel sheets in RAL colour
65.520.170	side wall in 4 safety glass panels, 3 columns, length 4,760 mm, height 2,000 mm
65.520.770	additional charge for powdercoating columns in RAL colour

### Navaho with 4 safety glass panels



### Navaho with wooden slats and a single door





1 FALCOBASE, SINGLE SIDED	
artikelnr.	omschrijving
64.000.000	FalcoBase starter section, single sided, length 4000mm, depth 2250mm, height 2100/2300mm
64.000.000G	FalcoBase starter section, single sided, with gutter, length 4000mm, depth 2250mm, height 2100/2300mm
64.010.000	FalcoBase add-on section, single sided, length 4000mm, depth 2250mm, height 2100/2300mm
64.010.000G	FalcoBase add-on section, single sided, with gutter, length 4000mm, depth 2250mm, height 2100/2300mm
64.428.000	FalcoBase back wall with hard wood slats
64.428.000G	FalcoBase back wall with hard wood slats with gutter
64.448.000L	FalcoBase side wall with hard wood slats left
64.448.000R	FalcoBase side wall with hard wood slats right

**FALCOBASE**

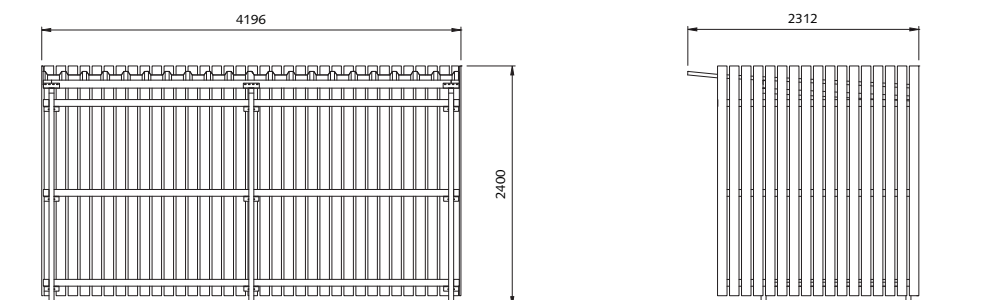
The FalcoBase is a new shelter with a budget price tag. The shelter addresses a market where developers often use cheaper wooden fencing to build simple stores where cost is a key issue. Available as a combi, a double sided or single sided version, the FalcoBase is very flexible and simple design that has all the advantages and expandability of a larger shelter but for a budget price.

The outer cladding consists of FSC hardwood slats or alternatively aluzinc profiled plates which are riveted to the galvanised framework and double as a fascia covering the roof sheets. Other finishes are possible on request. The walls are delivered pre-fabricated with an integrated roof frame on a bolt down structure making it easy for self build.

**1 FALCOBASE, SINGLE SIDED**

The single sided unit is 4,196mm wide as standard, with an overall depth of 2,312mm and a height of 2,400mm. To keep the cost at a minimum, the unit has an optional gutter and standard cladding of pre-assembled hardwood slats or corrugated aluzinc sheets - other types are available on request.

**FalcoBase, single sided**





## 2 FALCOBASE, DOUBLE SIDED

The FalcoBase double sided unit is manufactured by placing two FalcoBase single units back to back with no intermediate wall.

This creates a useful 5m x 4m 'corral' ideal as a bin store or general equipment store. The unit comes complete with an integral gutter as standard and is only extendable in its depth.

## 3 FALCOBASE, COMBI MODEL

The FalcoBase combi model is constructed by placing two single sided shelters with the front side facing each other and completing the structure with an additional fascia across the openings.

The structure can be completed by adding a shut-off at the back and either single or double doors at the front. A ridge plate is added between the two roof sections to maintain the weather integrity and as with the single sided shelter, the gutter is optional. The combi model is extendable both width ways and depth ways.

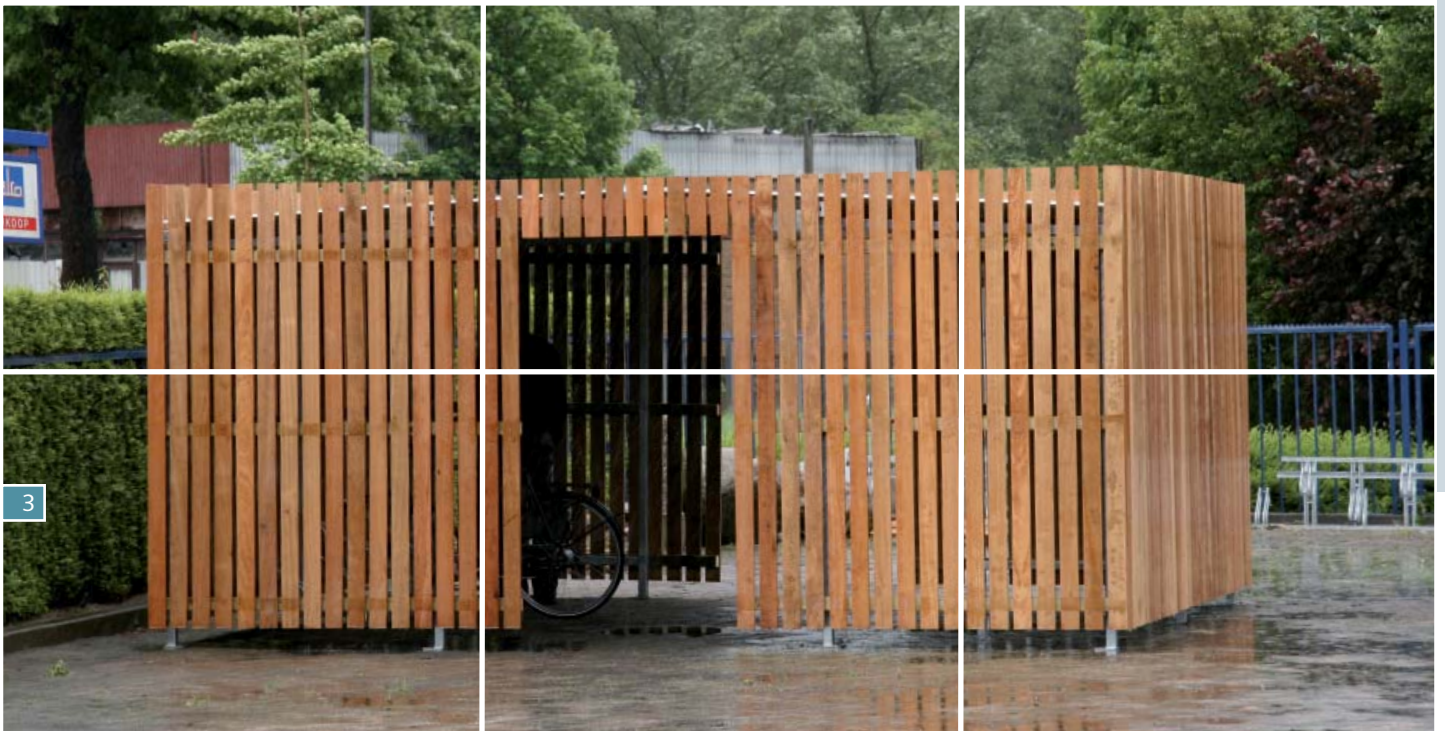
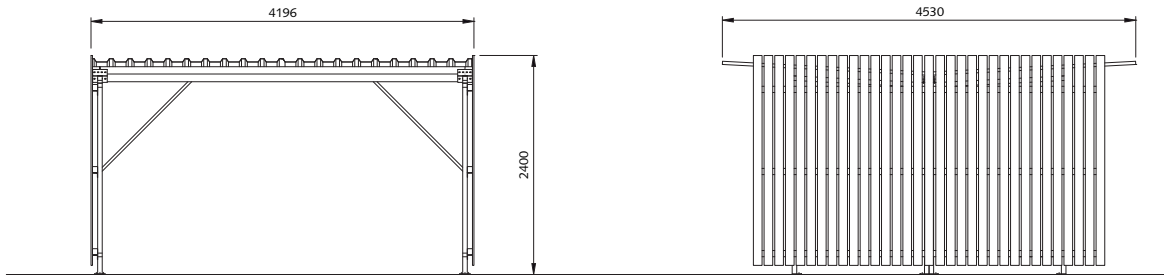
## 2 FALCOBASE, DOUBLE SIDED

Part code	Description
64.100.000	FalcoBase double sided, starter section
64.110.000	FalcoBase double sided, add-on section
64.148.000L	FalcoBase double sided, side wall left
64.148.000R	FalcoBase double sided, side wall right

## 3 FALCOBASE, COMBI MODEL

Part code	Description
64.200.000	FalcoBase combi, starter section
64.200.000G	FalcoBase combi, starter section with gutter
64.210.000	FalcoBase combi, add-on section
64.210.000G	FalcoBase combi, add-on section with gutter

## 2 FalcoBase, double sided





## FALCOSTOR

The FalcoStor is the ultimate modular shelter capable of fulfilling a number of uses - and a universal design with rounded panel infills. Manufactured from sturdy standard panels, the FalcoStor can be designed to almost any configuration to create the shelter of your choice.

Combined with some of our benches and litter bins, the FalcoStor makes a great shelter. The FalcoStor series offers many variations and applications: bus shelter, cycle shelter, waiting area, ATM shelter, pump shelter and any combination of the above.

Overall height of the shelter is 2,450mm.

### Roof Section

The roof sections are manufactured from a special steel profile which incorporates an internal gutter for the dispatch of rainwater, which is channelled to ground level via a downpipe. The profiled section also creates a useful fascia board 150mm high which can be used for graphics or signage. The roof is covered using aluzinc roof sheets.

The roof section is available in a number of standard sizes within the following dimensions:

Depths: 1,160mm, 1,690mm, 2,220mm, and 2,750mm

Widths: 1,160mm, 1,690mm, 2,220mm, 2,750mm, 3,280mm, 3,810mm, 4,340mm, 4,870mm and 5,400mm.

The roof section is then supported using robust steel uprights.

### Side Panels

The wall elements are available in 2 widths: 530mm and 1,060mm. Both panels are a standard 2,300mm high. The Side panels are manufactured from robust steel angle and 'T' section. The bottom panel is fitted with a 2mm thick powder-coated (any RAL colour) aluminium plate and the top panel is fitted with 6mm thick float glass. Each of the panel infills are attached using close fitting

neoprene frame strips to maintain a good seal. Depending on the chosen roof size you obtain different wall elements; 2 sides closed, 3 sides closed or partly closed, everything is possible.

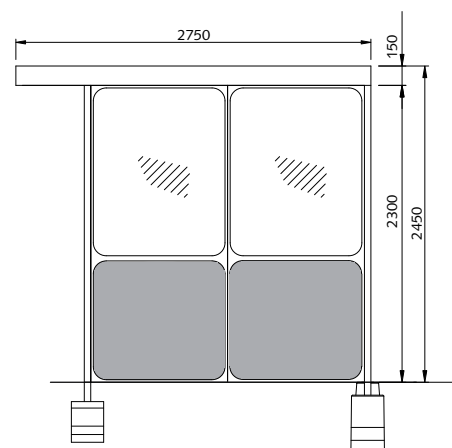
In addition to the standard wall filling, they can also be fitted with safety glass, aluminium plate (top and bottom), polycarbonate. Powder coating in any of the 192 RAL colours is also an option.

### Prices and Delivery

Prices of shelters are available on request. Based on your information and requirements we offer a project price customised for your individual configuration.

Depending on the size of the shelter, the FalcoStor can be delivered ready assembled or in flat pack form for assembly on site, please ensure we are aware of what your requirements are.

**FalcoStor, part number 20.645.000**  
**FalcoStor, build off 1 roof element, 4 uprights,**  
**1 drainage and 7 wall elements.**





## FALCONETTE

Falco has been offering a flexible and attractive solutions to your space problems for many years and the FalcoNette cabins are the ideal solution to most kiosk requirements. A completely flexible and bespoke system based around standard elements utilising both 530mm and 1,060mm wide wall sections, the FalcoNette can be anything from 1m x 1m up to 2,220mm x 5,930mm (floor dimensions), with the complete design, glass type, colour, sun protection, etc. etc., can be entirely customised to your requirements..

Each cabin is constructed as standard from an insulated floor, wall elements and a door with, 2mm powder-coated RAL colour, aluminium plate below and 6mm float glass above, four corner pillars, a roof frame with integrated guttering and a steel drainpipe. The standard 200mm high roof section has a standard overhang of 90mm all round.

Available in two standard heights:

2,300mm internal and 2,550mm external

2,500mm internal and 2,750mm external

The cabins are delivered fully assembled.

### Floor Section

The floor element is made up of a layered assembly as follows: a base of steel box section is overlaid with a stiffening steel plate laid in the floor. Then 20mm fire-retarding styropor and 18mm chipboard are added. The assembly is finished with floor covering and skirting boards. The cabin is designed to be placed on a water level concrete base.

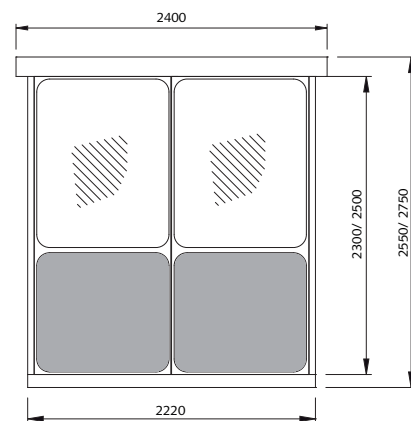
### Wall Panels

The walls, which are available in two widths: 530 and 1,060mm, are then mounted on the floor assembly. Manufactured from robust steel angle and 'T' section, tie plates are welded with a radius in the internal corners for added rigidity. We divide the elements into a bottom panel and a top panel. The panel infill consists of 2mm

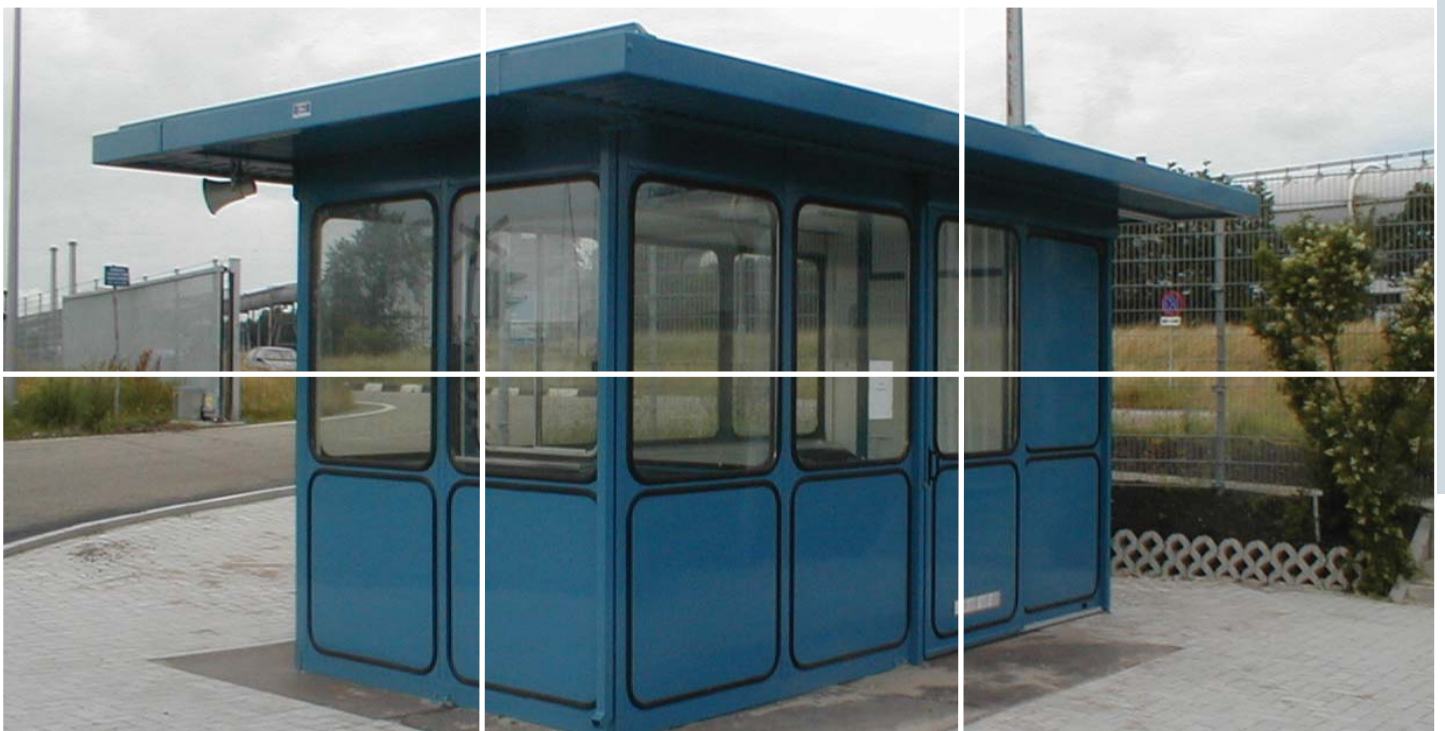
aluminium plate, powder-coated, with rounded corners below and 6mm float glass, also with rounded corners, above. The filling is mounted using an extruded aluminium frame with a rubber strip. The bottom panel is standard isolated and finished with white board. The door comprises a frame complete with locks and hinges and a sliding air vent in the lower panel. The door can open inwards or outwards, and be hung left or right, according to your requirements.

### Roof Section

The roof element has an 85mm overhang all round and is manufactured from a special steel profile characterised by the internal, all-round gutter which is connected to an external drainpipe. This section also acts as a fascia for graphics and signage. The roof element is equipped with hoisting eyes, joined with box beams, welded and hot-dip galvanised. Then covered with 16mm white plastic-coated ceiling sheet, glass wool and an aluzinc sheet filing panel. This makes up your standard basic cabin, you can then expand the cabin with various options – see following pages.



**N.B.** We have a specific product data sheet about these cabins, our FalcoNettes. It includes all information, drawings and details. Also you'll find advice about combinations and usage.





### ASSEMBLY AND DELIVERY

The FalcoNette is always delivered fully assembled and fully fitted out. All that is required is to secure the cabin and connect the services.

The FalcoNette is a complete modular build as is the costing. Our technical sales staff will be pleased to talk through your requirements with you and make a project price to suit. Alternatively send us a drawing or sketch of your requirements and we will create the best solution for your needs.

The cabin can be powder coated in any of the 192 RAL colours. The roof, floor and wall elements as well as the bottom panels can all be powder coated and even all in different colours.

Graphics or signage can be added to personalise the kiosk – and it is ideal for creating a cabin in line with a particular corporate identity.

To give you an idea of the construction we here are several examples:

#### PHOTO 1

FalcoNette with a floor size of 2,220 x 3,280mm, insulation, powdercoated with RAL colour with one door and safety glass.

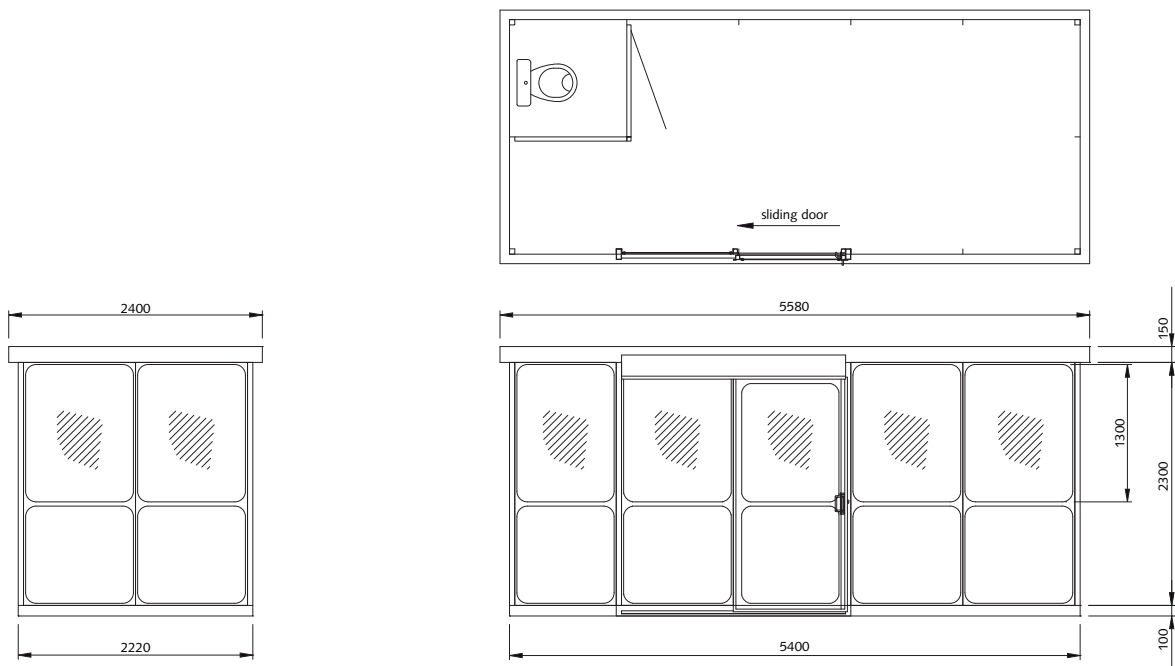
#### PHOTO 2

FalcoNette with a floor size of 1,160 x 1,160mm, insulation, with one door and float glass, included counter window and counter plates.

#### CAD DRAWING

FalcoNette with floor size of 2,220 x 5,400mm, insulation, powdercoated in RAL colour with 1 sliding door and safety glass, inclusive toilet space.

3





## ACCESSORIES

Here we list some of the accessories which are available for our prefab cabins. The items are listed in service grouping, but if your requirement is not here then please give us a call and we will endeavour to include your requirements.

### 1 FINISHING

Both the roof and the floor are available with additional insulation. The roof as well as the floor are obtained with extra isolation. For certain adjustments the chipboard can be replaced with solid plastic

### 2 SUN PROTECTION

Both internal and external blinds are available for the cabin. Manually operated and electric roller shutters are also available, for example to conceal the contents when not in use. Detachable shutters are also available.

### 3 DOORS

In addition to the standard door, it is also possible to install additional doors for an additional charge. Though in certain situations only a sliding door will fulfil your requirements.

### 4 ROOMS

Rooms can be created in the cabins; for example, a separate office space, kitchen or toilet. Additional columns, internal walls and doors are available for this purpose.

### 5 FILLING OPTIONS FOR WALL ELEMENTS

In certain situations, it may be necessary to replace the upper glass panel with aluminium plate. This is useful in a toilet, for example.

### 6 OTHER TYPES OF GLASS

The FalcoNette has float glass as standard, however within the UK, Safety glass is always used and insulated glass is also an option.

### 7 TRANSOM AND SASH WINDOWS

Transom and sash windows are available to provide the required ventilation. Counter windows are also available for ticket office units. These windows are contained in an aluminium frame, and also equipped with the highly characteristic rounded corners.

### 8 ELECTRICS, HEATING AND LIGHTING

We have many options. Switches, boxes, cable gutters, electrical appliances, anything is possible. By application the each service is installed to a wall mounted isolation point.

Cable is applied to current European standards, connection to the mains supply is customer's responsibility.

### 9 DOOR-SPRING AND STORM CHAIN

Because of frequently heavy winds, it is advisable to equip a door with a storm chain or heavy duty door-spring.

### 10 VENTILATION

It may be desirable to supplement the air vent included as standard, for example in a toilet. A number of standard ventilators are available. Air-conditioning is also available on request.

### 11 SANITARY WARE

A toilet, a wash basin and a urinal are all available as facilities which may be necessary if a cabin is to be occupied for a lengthy period of time or in an isolated area.

### 12 FURTHER....

There are options for ducts in the floor for cables (e.g. computer CAT 5), various fixing profiles and concrete bases, kitchen blocks with and without a water heater.

**N.B.** Please send us a list of your requirements!







## FALCOTECTURE

FalcoTecture is a very creative, modular wireframe system which can be used in a huge variety of urban schemes. As a flexible pergola system, FalcoTecture establishes a framework or skeleton around which creeping plants can be trained to create; screens, walkways, canopies or a standalone streetscape installation.

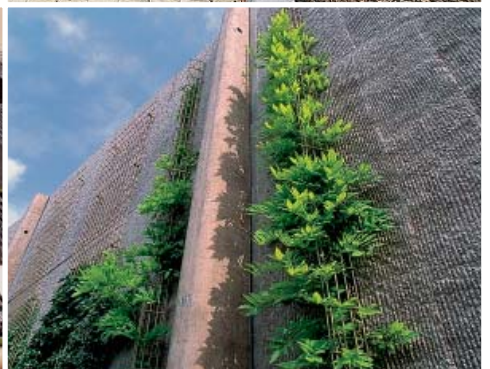
### Modular Pergola System

Using modular elements, the FalcoTecture system is a range of component building blocks which are easily joined together and mounted either on the ground or to a wall. The system is fully hot dip galvanised to BS EN ISO 1461, so legs can be placed directly into planters giving climbing plants and creepers the perfect frame.

### High Quality and Long Lasting

FalcoTecture is manufactured from thick gauge wire welded into very robust elements. In addition to the standard galvanised finish, we can additionally polyester powder coat in any of the 192 RAL colours, so you can create a structure which will blend or contrast with any environment.

On the next page we have some examples of previous schemes to give some idea of the flexibility of the system.







1



2



3

## FALCOTECTURE - PROJECTS

Here are a few ideas from previous projects. If you're not sure if we have the particular section size or design, just give us a call and we can help – it's a bespoke design from a modular system.

### 1) Bow Arch Arcade

Photo 1 shows how with the use of arches the inner radius can be adjusted to follow the line of design.

### 2) Pergola's for park places

Photo 2 demonstrates the use of purlins and uprights to create a pergola structure over a car park or bin store.

### 3) Pergola for gable walls

Photo 3 illustrates how the FalcoTecture elements can be used to punctuate bleak walls with either a structure or

FalcoTecture is a system of modular building blocks, the structure is limited by your imagination!

For more information or to request a quote, please call one of our Technical Sales staff on (01538) 380080.







# A great combination of play and urban design!

## **The challenge**

... is to create a challenge! Stimulating children's senses, developing their interest and challenging their perceptions - through interaction, innovation and invention.

We are always looking for something new to take play further into the learning zone and to help contribute to children's development, to continually fascinate them, intrigue them ... challenge them!

## **The concept**

Falco has launched 'the science park' range of play equipment, from Modo in Italy. Inspired by the European concept of 'Design for All' the range is very innovative, hands on and interactive. Being science biased it provides a new concept in play, stimulating children to use their imagination in different ways through technology. The range promotes learning, experimentation and interaction, drawing on a whole breadth of scientific concepts; visual perception, cause and effect, energy, force and motion, light and sound and more, creating a sensory learning experience - which is bags of fun!

## **The range**

The 'science park' play equipment is an integrated range of over 50 high quality, innovative play products. It is versatile and has a great sculptural quality enabling designers to either co-ordinate products to construct a whole play zone or use just a single item to provide structural but interactive punctuation to a landscape - interior or exterior.

Many of the products have a distinct sensory nature helping children where issues such as touch, sound or visual effects can have play benefit, as a result we have grouped the products in four associated categories:

- 1 Sight and Sound**
- 2 Water and Fluids**
- 3 Tradition with a Twist**
- 4 Mechanics and Gravity**

*innovative, inventive, interactive!*





### 1 Sight and Sound

The first section Sight and Sound includes products which have visual and aural content! Some incredible pieces where illusions and reflections can stimulate some inspiring ideas, plus some great opportunities for children to make their own sounds.

### 2 Water and Fluids

The calming effects of Water and Fluids are a great aid to concentration. Children are instantly drawn to the movement of fluids and how to manage and control its flow. Here there are some impressive products which use centuries old ideas in a modern context.

### 3 Tradition with a Twist

The third section includes 'traditional' play equipment such as see-saws and roundabouts - but here they have a fabulous twist! We all know what a see-saw does, but what if you could change the position of the seat so that a child and an adult could balance?

### 4 Mechanics and Gravity

The final section is Mechanics and Gravity – this is heavy stuff! Here there are some really challenging games for older children who have a curiosity in all things mechanical and moving. Using pulleys and levers to understand just how our ancestors built things and are still relevant today.

#### The products

The equipment is manufactured from high quality materials including robust stainless steel. The products can be installed individually or as part of a larger scheme. Each item has a panel to accompany it, including a text in two parts: the first showing instructions of how to play, and the second gives an easy explanation of the scientific concept being used.



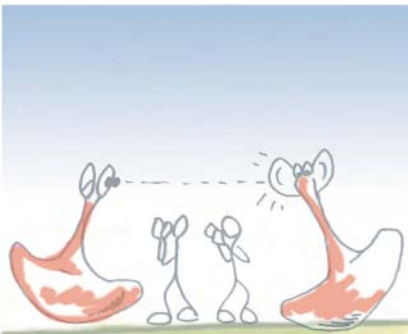
# QUESTIONS?

**Falco** Barnfield Close, Barnfield Ind. Estate, Leek Staffordshire ST13 5EG  
**T** 01538 380080 **F** 01538 386421 **E** sales@falco.co.uk **W** www.falco.co.uk





**SIGHT AND SOUND**



The Sight and Sound section introduces 22 core products which all have sensory buzz! The visual products both challenge and mesmerise our perception of the real world, a place where kids stretch their brain as they try and work out what their eyes are telling them, then slowly they can adapt their visual system to try and make sense of the images and then ... start experimenting!

The aural products both charm and sooth, helping children to develop a wide range of important communication skills.

Children love to make sounds as well as find sounds and here are some ideas which will resonate! There are games to work out who is speaking to who, a 'Big Ears' listening game and even a pianoforte to create your own music – a real vibe!



## ROTATING OPTICAL ILLUSIONS



A great set of traditional illusions replicated for outdoor play areas that mesmerise and confuse our interpretation of shapes and create a distortion of reality: vibrating shapes, mixing colours, spires with three-dimensional effects.

The rotating illusions are printed onto aluminium disks and mounted on a robust stainless pillar via a free turning bearing. These are available in two sizes: Small - Ø600mm and Large - Ø1,200mm.

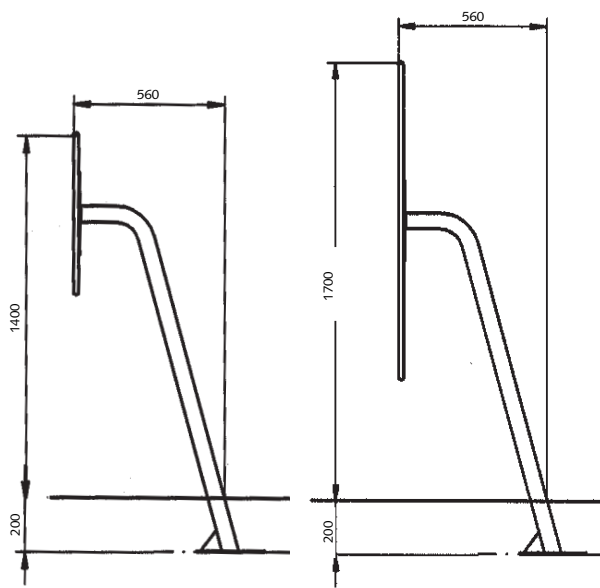
Design tobia.reposi, by Modo.

## ROTATING OPTICAL ILLUSIONS

Part code	Description
55.500.0xx	Rotating optical illusions, diam. 60 cm
55.502.0xx	Rotating optical illusions, diam. 120 cm

Part code 55.500.0xx

Part code 55.502.0xx



You can choose from these images below



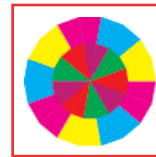
55.50x.010



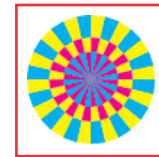
55.50x.020



55.50x.030



55.50x.040



55.50x.050



55.50x.060

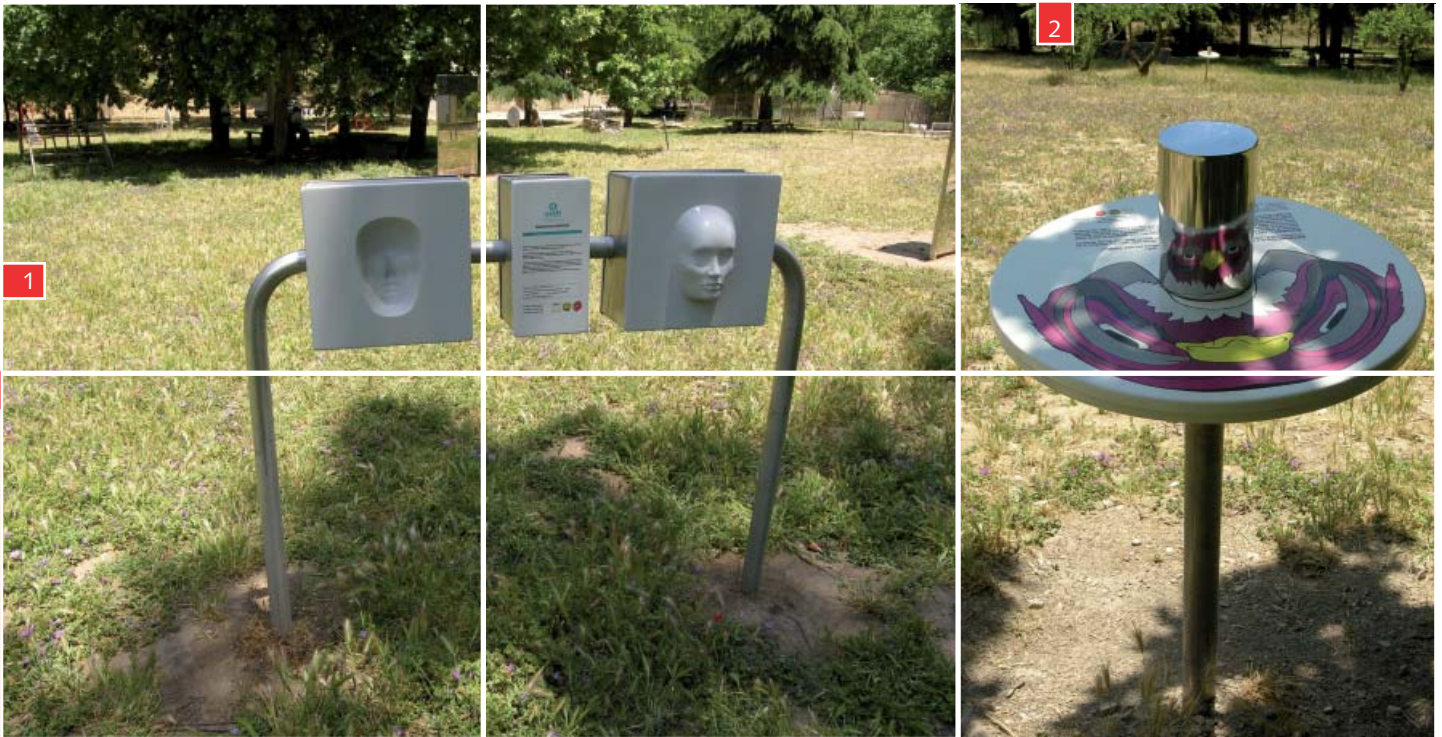


55.50x.070




55.50x.080





1	NEGATIVE-POSITIVE
Part code	Description
55.505.000	Negative-positive
2	ANAMORPHOSIS
Part code	Description
55.504.010	Anamorphosis, owl
55.504.020	Anamorphosis, dog
55.504.030	Anamorphosis, dog
55.504.040	Anamorphosis, bicycle




**1 NEGATIVE-POSITIVE** 

An installation based on visual illusion, where children can have the experience of how concave and convex shapes can look alike and you are continually surprised by how much your brain is being deceived by the illusion brought in by your eye.

The use of light and shadow enhance the visual perception that these images can be either concave or convex.

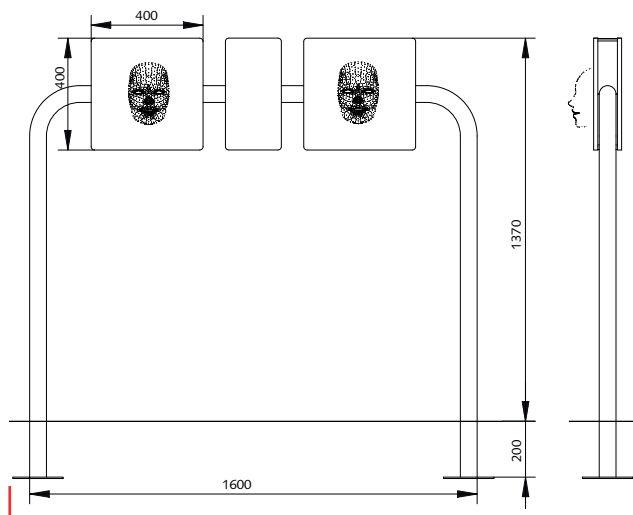
The game is manufactured from three-dimensional casts created as resin mould mounted on a robust stainless supporting tubular framework.

**2 ANAMORPHOSIS** 

A funny installation: distorted and incomprehensible images on the flat surface only take shape and become meaningful when viewed through the reflection of a cylindrical mirror.

A range of pictures are available for children to be surprised by. The pictures are printed on a Ø600mm aluminium disk with a polished aluminium cylinder. The structure is mounted on a stainless steel support pillar.

Part code 55.505.000



Anamorphosis: you can choose from these images below



55.504.010



55.504.020



55.504.030



55.504.040



## 1 THE IMPOSSIBLE TRIANGLE



An unusual object that cannot be recognised unless viewed from a particular angle. The discovery can be astonishing, helping children to become curious and inquisitive and causes us to question the complex function of our eye-brain perceptive system.

This game is composed of two elements: a stainless steel structure (triangular volumetric element manufactured from a 100 x100 mm square tube and Ø60 mm support) and a distant element (view-finder), manufactured from a Ø60 mm stainless steel tube and a disk with a hole in the centre. The two elements are ideally placed 8m apart to obtain the best optical effect.

Design tobia.reposi

Height 150 cm, width 85 cm, length 110 cm.

## 2 FIXED OPTICAL ILLUSIONS



An exhibit with 4 panels arranged in two sides, showing the most famous optical illusions that question our perception and help us to better understand the eye-brain system.

The structure is manufactured from Ø60mm stainless steel tube, with aluminium game panels 2.5mm thick, with rounded corners for safety.

## 1 THE IMPOSSIBLE TRIANGLE

Part code	Description
55.518.000	The Impossible Triangle

## 2 FIXED OPTICAL ILLUSIONS

Part code	Description
55.508.000	Fixed Optical Illusions

## 3 FIXED OPTICAL ILLUSIONS BENCH

Part code	Description
55.506.000	Fixed Optical Illusions Bench

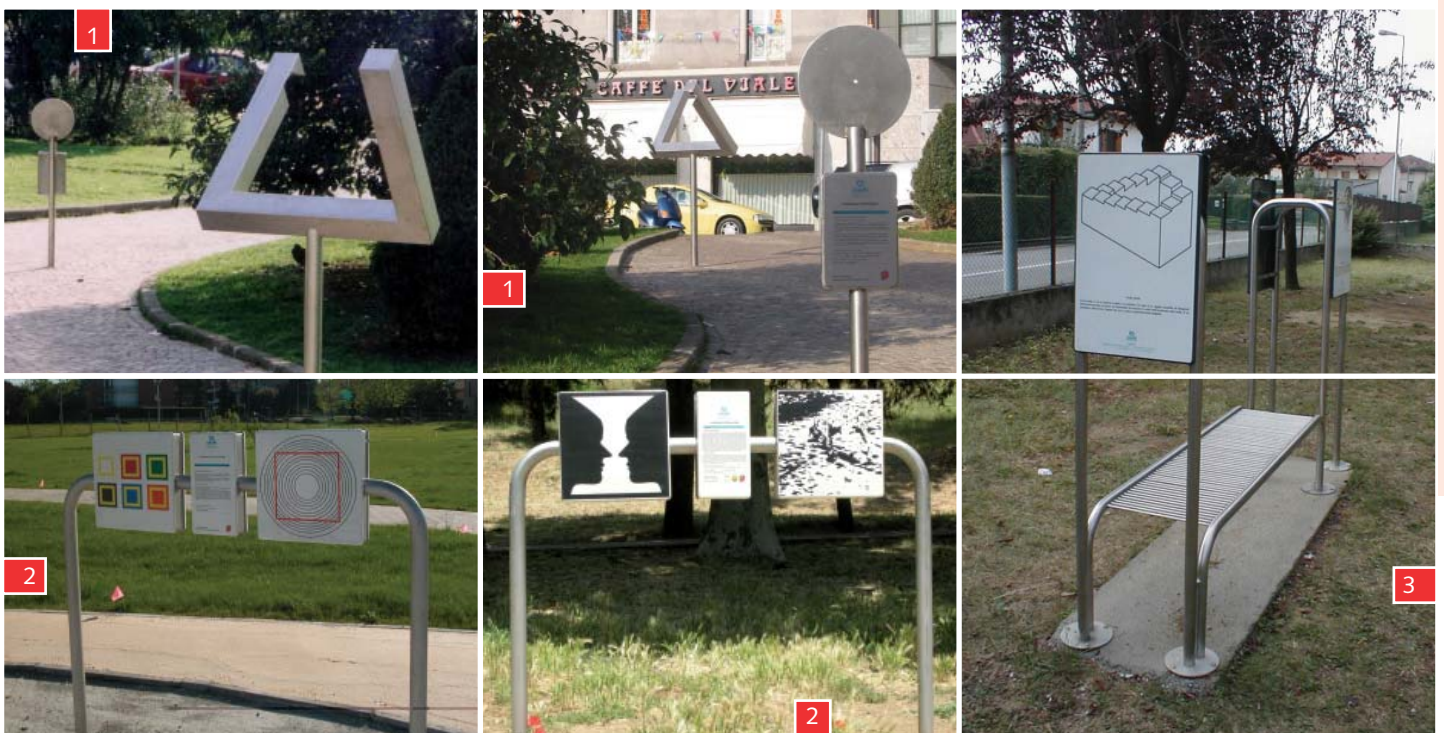
## 3 FIXED OPTICAL ILLUSIONS BENCH



A chance to stop and rest on a bench with the opportunity of a visual game: panels with plenty of curiosities, contrasts, illusions and ambiguities that test our perceptive system out.

Designed using a stainless steel bench from which to view the graphics. The bench is manufactured from Ø40mm stainless steel tube frame and 8mm diameter seating rods.

The graphics are printed onto aluminium panels supported by sturdy stainless steel frames.





1   DISTORTING MIRRORS	
Part code	Description
55.511.000	Distorting mirrors, fat/thin
55.511.010	Distorting mirrors, big/small

2   ANTI-GRAVITY MIRROR	
Part code	Description
55.510.000	Anti-gravity mirror

Dimensions fat/thin: height 2.020 mm, depth 181 mm, length 900 mm.

Dimensions big/small: height 1.985 mm, depth 303 mm, length 1.000 mm.

**1 | DISTORTING MIRRORS** 

A range of mirrored surfaces that distort reality, making us appear very wide or very thin, very tall or very short, depending on the curvature of the mirror. It is a particularly fun installation which can also help us to understand the use of concave and convex mirrors in our daily life.

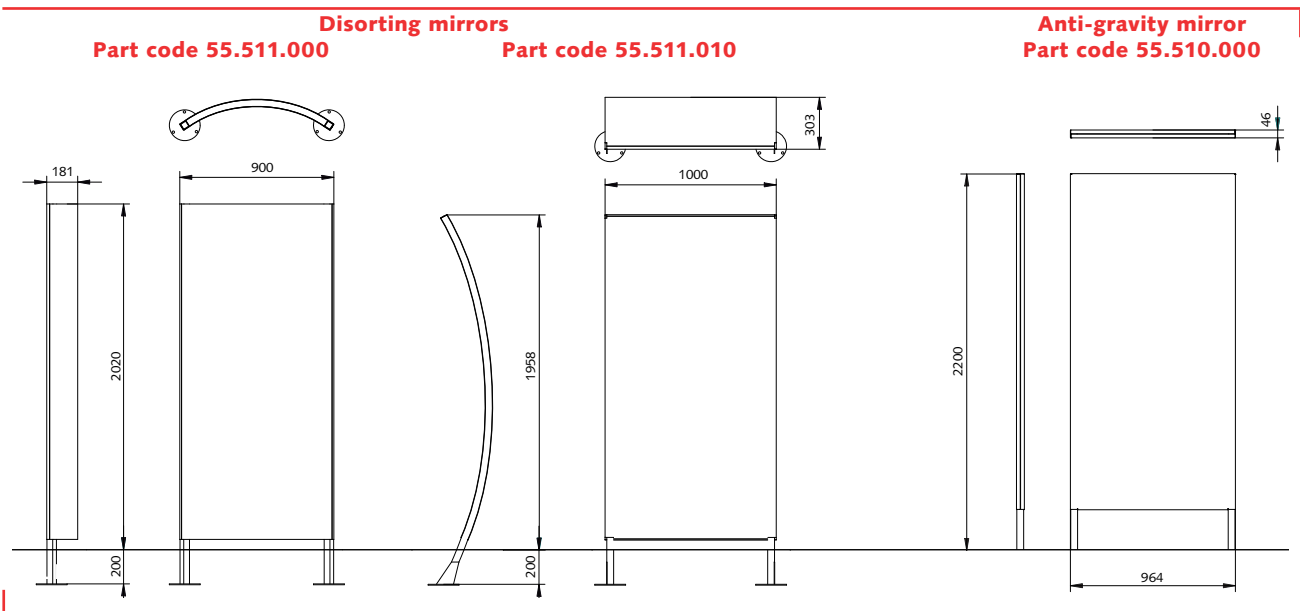
Each element is composed of a highly polished stainless steel mirror-finished reflecting panels mounted onto a stainless tube structure.

**2 | ANTI-GRAVITY MIRROR** 

A mirrored surface like many others that surround us every day. But this is a place where we can play, where we can be transformed, where we can be lifted off the ground. And that's not all: we can also understand why this is possible and familiarise ourselves with light reflecting properties.

The structure is manufactured from stainless steel tube housing mirror-finished stainless steel reflecting panels.

Dimensions: height 2.200 mm, depth 46 mm, length 964 mm.





## 1 VISIONS TREE



A multi-equipped game based on visual functions which both entertains as well as providing an understanding of how we can expand our visual power using various instruments.

The Visions Tree integrates three optical instruments in one - a microscope, a periscope and a telescope.

The telescope and microscope both enable us to enlarge distant or small objects whilst the periscope increases our field of vision by surmounting obstructions in our immediate field of view.

Manufactured from stainless steel, the game is mounted on a bearing enabling it to move through a full 360° field of vision.

## 2 SPEAK INTO THE TUBE



A great game for children to have fun with and socialise.

A series of eight mouthpieces are connected to one another to create four pairs of 'speaking tubes'. These are arranged in an eccentric pattern which challenges us to discover which of our friends will reply at the other end. They are usually arranged to form a circle, so that a gathered emplacement is created; but it is possible to create a bespoke design with the 4 couples of connections which is only limited by the maximum distance of 50m between the mouth/ear pieces of each couple.

The structure is manufactured from robust stainless steel tubing connected underground using flexible tubing

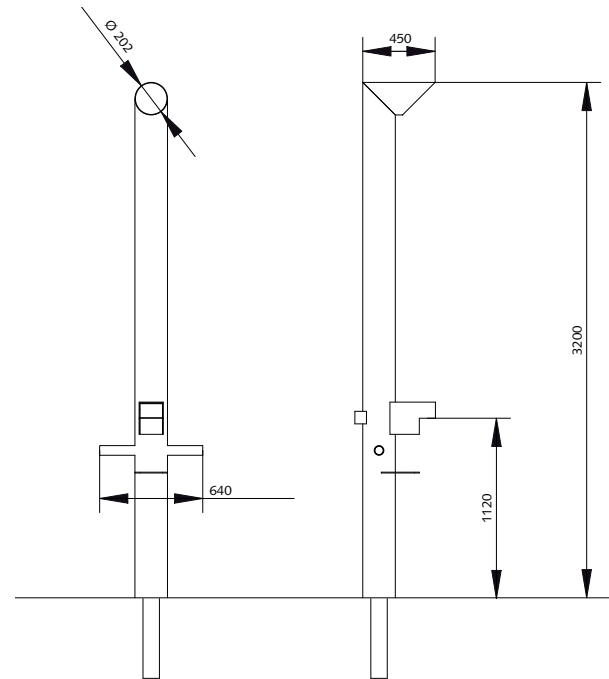
## 1 VISIONS TREE

Part code	Description
55.515.000	Visions Tree

## 2 SPEAK INTO THE TUBE

Part code	Description
55.520.000	Speak into the tube

### Part code 55.515.000





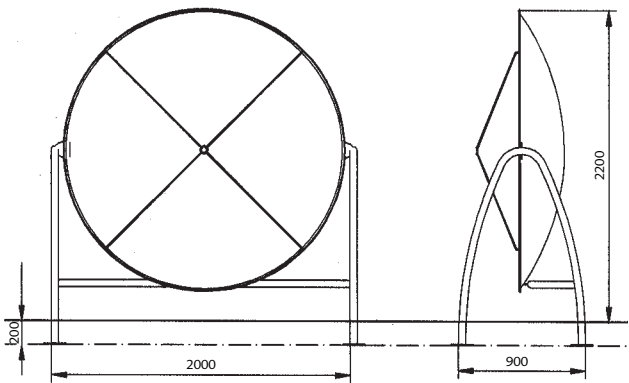
<b>1</b>	<b>FOCALISED VOICES</b>
<b>Part code</b>	<b>Description</b>
55.522.000	Focalised voices
<b>2</b>	<b>VOICES OF AIR</b>
<b>Part code</b>	<b>Description</b>
55.524.000	Voices of air

Without any amplification a clear vocal signal can be transmitted over a large distance. The large Ø1,800mm stainless steel parabolas have safely rounded edges and are mounted on a robust stainless steel tubular support frame.

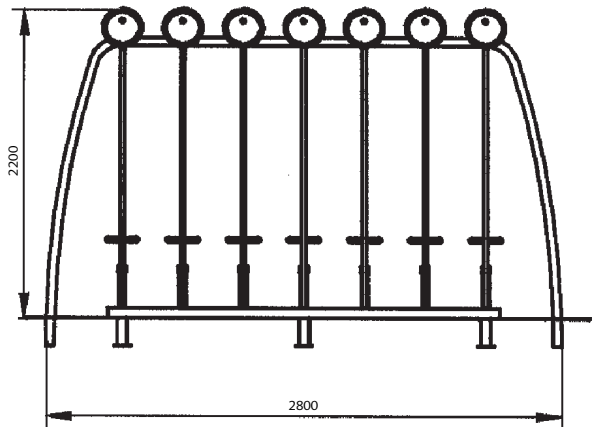
**1 FOCALISED VOICES** **modo**  
 A wonderful piece of equipment to demonstrate how sound waves can be focused to enable them to travel over distance. The game is based on two large parabolas that face each other over a distance, one child whispers into one parabola, and despite the surrounding noise of the playground, the whispering can be heard by the other.

**2 VOICES OF AIR** **modo**  
 By using the pumps children can push the air through the tubes, over the whistle and hear the sound. A simple but effective game showing the effects of forcing air through an instrument to discover musical notes. With a group of children together, they can create a symphony of sound and hold concerts with friends!  
 The supporting structure, blowing pump elements, sound emission tubes with whistle and conical 'bell' are all manufactured from stainless steel tube.

**Part code 55.522.000**



**Part code 55.524.000**





**1 FORTEPIANO** 

A magnificent gigantic pianoforte! Enter a 'Lilliputian' world where small children can create big symphonies - by playing on a giant piano and hopping from note to note.

The notes are played when the children step from key to key, or jump on and off the pianoforte. They can compose their own music and, in groups of two or three, even produce chord sequences and more complex compositions.

Available with either 7 or 12 notes, the Fortepiano game is made up of individual 'sound box' modules 120mm high, 1,250mm deep and 100mm wide manufactured in stainless steel.

These are placed side by side with each sound box emitting a specific note. Each module is made up of a 1.5mm thick box in stainless steel, with an inner sonorous mechanism, which is composed of levers and hammers and strikes a harmonic bar provided with its own harmonic note.

The module has an inner speed reducer and a series of pads to cushion the foot push.

**2 WAVE AFTER WAVE** 

An intriguing pianola design which takes children into the world of sounds and waves. By turning the handle the glockenspiel-like wood laths move with a perfect wave.

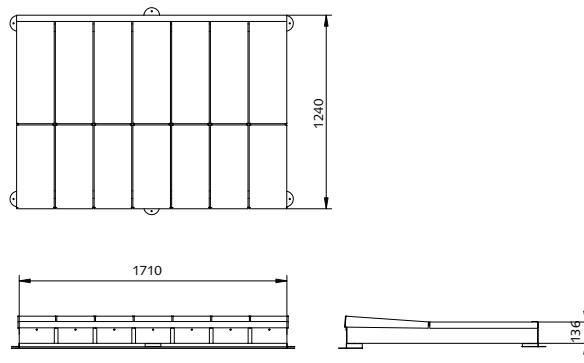
The motion also makes hammers move and produces sounds from the wood blocks. But for older children who get involved they enter the interesting and complex world of waves, frequency and amplitude. The supporting structure is manufactured from Ø40mm stainless steel, and the wood sound blocks are manufactured from Iroko dim 40x40mm.

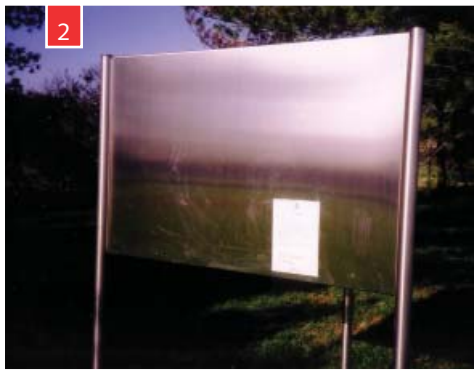
Design tobia.reposi

Height 110 cm, width 100 cm, length 120 cm.

1 FORTEPIANO	
Part code	Description
55.530.000	Fortepiano (7 notes)
55.530.010	Fortepiano (12 notes)
2 WAVE AFTER WAVE	
Part code	Description
55.531.000	Wave after wave

**Part code 55.530.000**





1	CALEIDOGIRA
Part code	Description
55.516.000	Caleidogira
2	KALEIDOSCOPE
Part code	Description
55.512.000	Kaleidoscope

**1 CALEIDOGIRA** modo

The Caleidogira is an unusual product which takes advantage of the Kaleidoscope effect. The vista in front of the viewer bounces across the reflecting panels inside the tube, multiplying in infinite copies as you turn about 360°. This gives rise to some spectacular effects particularly when sighted in a bright environment such as parks and gardens.

Stainless steel structure with a Ø60 mm tube supporting element, Ø30 mm tube circular handle and Ø150 mm tube viewer element.

Design tobia.reposi  
Height 110 cm, diameter 90 cm.

**2 KALEIDOSCOPE** modo

The Kaleidoscope is a sturdy structure which can be installed at any height depending on the age group. When you enter the structure you find your reflection endlessly multiplied and if friends come in too, you get a great crowded effect. A fantastic opportunity to explore light and reflection with friends or on your own, bring an object in with you and see what you can do!

The structure is manufactured from mirror finish polished stainless steel panels 1,000mm high mounted on sturdy stainless steel legs.





**1 HIGH EARS**



These 'High Ears' are just that – like an aural telescope!  
They give children a great opportunity to compare the quiet of the playground with the distant noise of a road or a factory.

With these big ears, ideal for areas with trees, we can also listen to the branches swaying in the breeze or the birds singing in the branches.

Mounted on a pivot, you can turn the game around a 360° field of view to enable children to contrast sounds from different areas of the locality – how does the clash and clatter of industrial work compare with the quieter tones of nature?

Design tobia.reposi  
Height 400/500 cm, length 110 cm.

**2 PANPIPES**



An aural experience derived from different height stainless steel tubes producing sounds with different tones.  
This is the first impression, but if we listen harder, we will notice that not only the sound and the tones, but also vibrations, frequencies and resonances are also present.

Structure in stainless steel tube manufactured from elements with different diameters: 30, 40, 48 mm. Organ pipes hearing height from the ground of 1,100 mm.

Design tobia.reposi  
Height 420 cm, width 110 cm, length 200 cm.

1 HIGH EARS	
Part code	Description
55.527.000	High Ears
2 PANPIPES	
Part code	Description
55.523.000	PanPipes

**N.B.** All play equipment is tested and approved to the UNI EN 1176 standard by the Italian Play and Safety Institute. This approval is confirmed by the label "Tested Safety Label".

The Modo play equipment is designed to be mounted on a water flat concrete base (details available). Additionally each product is delivered with an information panel explaining; the function of the game, its use and any advised age recommendations which may apply.

It is recommended that the products are placed within areas without natural or artificial obstacles within a clearly defined area.





1 ECHOTUBE	
Part code	Description
55.521.000	EchoTube

2 GUITAR STRING	
Part code	Description
55.525.000	Guitar string

**1 ECHO TUBE** modo

An imposing 18m long structure with an impact that cannot help but attract attention. Clap your hands and listen to the sound that comes back - is it the same? This is not just a game, but also an opportunity to reflect on sound and its behaviour when it travels in a confined space and is reflected back to you.

Have a conversation with yourself! The tube has a stainless steel mesh covering the aperture to stop any build up of leaves or debris.

Design tobia.reposi.  
Height 100 cm, width 73 cm, length 1800 cm.

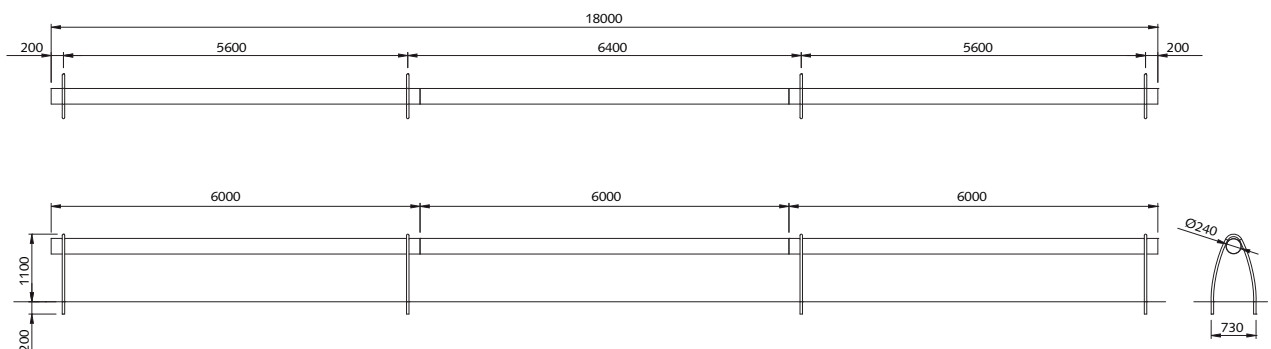
**2 GUITAR STRING** modo

This simple set up allows us to create vibrations and waves that will linger on the suspended cord, just like a giant guitar string.

The string is manufactured from stainless steel wire and is supported by Ø100mm stainless steel columns.

Design tobia.reposi.  
Height 300 cm, length 1500 cm.

**Echo tube, Part code 55.521.000**





**1 BELLS**



A pleasant musical instrument, composed of a series of tubular bells and provided with an inner knocker that produces restful natural sounds when exposed to the currents of air.

This static 'installation' piece of 'oversized' tubular bells, typical of many back gardens throughout the UK, can add an extra dimension to any sensory park where sounds, visual and touch sensations combine to create an overall collage to stimulate and rouse our senses.

The parabolic supporting structure is manufactured from  $\varnothing 90$  mm stainless steel and the sound element of  $\varnothing 30$  mm brass tubes of different lengths, suspended from an annulus.

Design tobia.reposi .  
Height 500 cm, length 230 cm.

**1 BELLS**

Part code	Description
55.526.000	Bells

2 RAIN CIRCLE	
Part code	Description
55.528.000	Rain Circle



**2 RAIN CIRCLE**

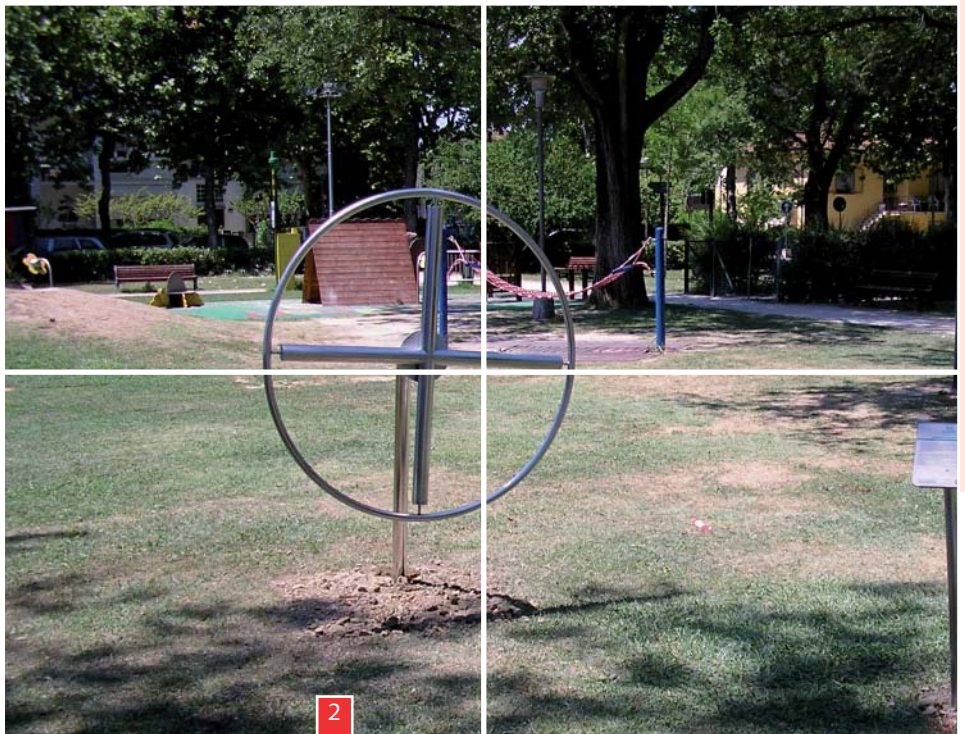
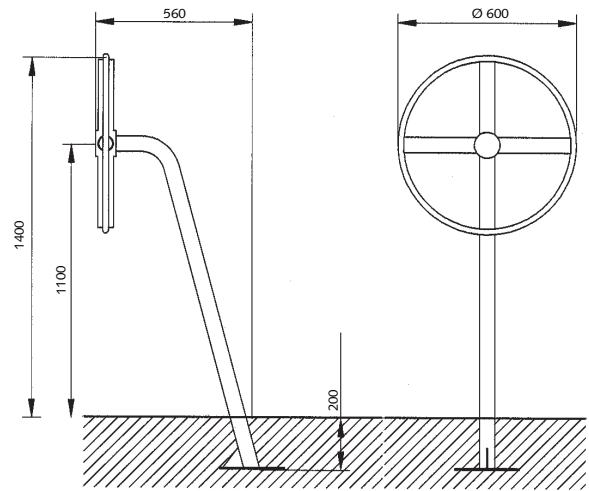


A great aural experience, the Rain Circle is like a kind of rudder that when rotating, emits sounds similar to the marine backwash from a boat like rain, flowing water or the wave that crashes on the seashore.

The supporting pillar is manufactured from  $\varnothing 60$ mm stainless steel tube; the circle shaped rudder is mounted and rotates on sturdy bearings and made from  $\varnothing 22$ mm tube with  $\varnothing 60$ mm crossed tubes.

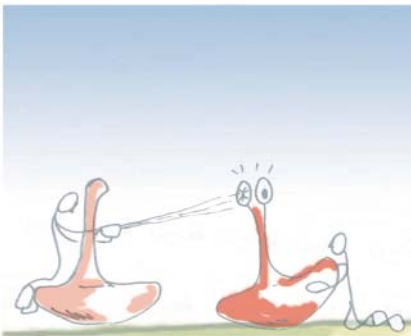
Design tobia.reposi.  
Height 140 cm, width 56 cm, length 66 cm.

Part code 55.528.000





## WATER AND FLUIDS



Water has been one of the driving elements of our world since its creation.

It is just as relevant today as it has always been whether used for survival, for power or just pleasure.

The Water and Fluids products of the Science Park range look at all these aspects; how our forefathers raise water for drinking using the Archimedes screw, the use of a water wheel in beginning to drive forward the cogs of industry or using water jets to squirt each other! For children, water has a fascination that no other material has and here we have a great range of products which will keep them spellbound for hours.



## ARCHIMEDES



An intriguing installation designed to create interest in the mechanics used in moving water up from a lower bowl to an upper one. It relates to the well-known principle of the mathematician Archimedes, who used the screw method to pump water up from rivers to irrigate fields.

The Archimedes screw is great for young children providing one of those never ending streams of water – how the water appears to remain static yet move slowly up an incline. Why not trace the progress of a spot?? By placing a small stick at the bottom and follow it's progress as it travels up the water elevator! The water travels up the screw, and into an upper pan, which then tips into a lower pan before being returned to the main reservoir.

## ARCHIMEDES

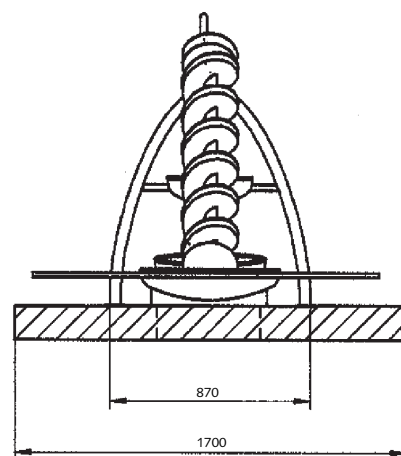
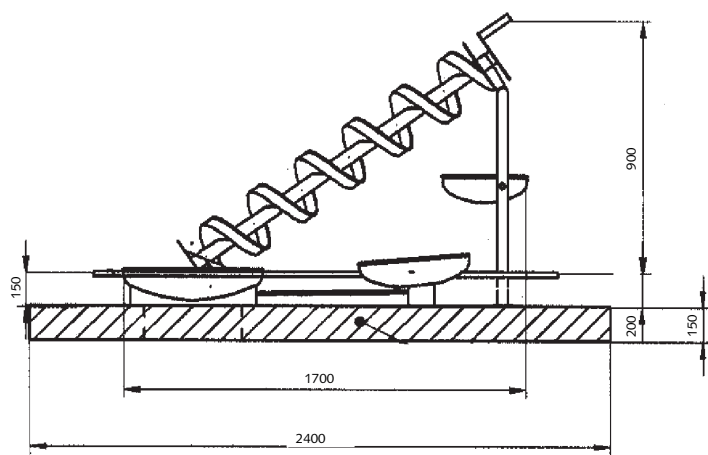
Part code	Description
55.562.000	Archimedes

Alternatively integrate the unit with a fountain or pond for a holistic effect.

The whole structure is manufactured from stainless steel including the bowls, screw, tubing and support structure.

Height 130 cm, width 110 cm, length 260 cm.

Part code 55.562.000





**LEONARDO**

Part code	Description
55.563.000	Leonardo

**LEONARDO**



A game meant for younger children. Easy to handle, it's an involving and interactive set-up. The water, running on the slide, falls alternatively on the two big wheels and makes them rotate at different speeds. Their rotating motion could be easily transmitted to millstones, machinery or even propellers!

We named the game after Leonardo the man who was one of the first to understand the importance of these machines driven by water. The game requires a constant water supply or can be used with children and just a bucket!

The structure is manufactured completely in stainless steel including; fountain, slide bowl (shaped plate and a Ø22mm rod on the edges), the two rotating elements and the main structure.

Height 85 cm, width 45 cm, length 320 cm.





## WATER JETS



The water jets are a great game for two or more children - with a rotating seat and a built-in pump they are capable of spraying water over a 360° area. From a learning perspective children can reflect on the nature of water and its potential power. How far can you shoot the water jet? Is it the same each time? Or is it just a great way of keeping cool on a hot summer's day!

Two or more stations, set at a proper distance, can create a game area where children can interact with each other using only splashes of water.

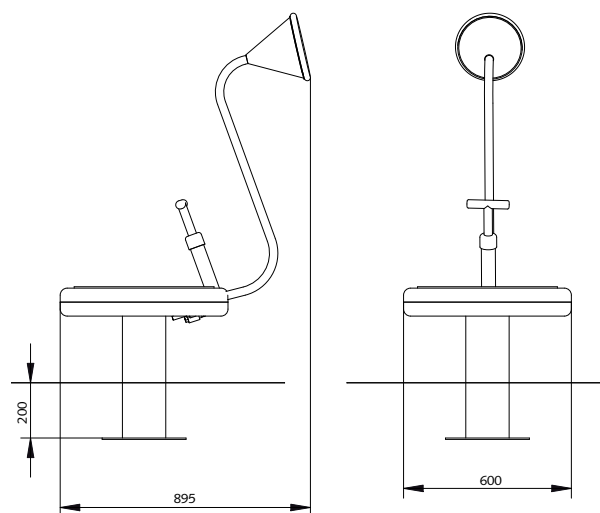
The seating element is composed of a turned stainless steel disc, covered with anti-slip material, connected to a robust load bearing tube. The game requires a reservoir of water to feed the water jet.

The spraying element is manufactured wholly from stainless steel leading to a Ø240mm conical 'mouthpiece'.

## WATER JETS

Part code	Description
55.561.000	Water Jets

Part code 55.561.000



[WWW.FALCO.CO.UK](http://WWW.FALCO.CO.UK)





<b>1</b>	<b>WHIRLPOOL</b>
<b>Part code</b>	<b>Description</b>
55.564.000	Whirlpool
<b>2</b>	<b>WATER GAMES</b>
<b>Part code</b>	<b>Description</b>
55.560.000	Water Games

**1 WHIRLPOOL**



The Whirlpool is an amazing visual game in which movement, shapes and physics all come together. By turning the central 'steering wheel', children can make the two contrasting liquids rotate very quickly allowing them to see how the surface of liquids form a parabolic shape.

The idea of using a rotating liquid to create a perfect parabolic surface was first proposed by Sir Isaac Newton and later used as the principle behind the liquid mirror telescope – a ground breaking concept used in modern powerful astronomical telescopes.

The centrifugal force created as the Whirlpool turns causes the liquid to climb the walls of the container creating a great visual effect.

Height 140 cm., width 50 cm., length 50 cm.

**2 WATER GAMES**

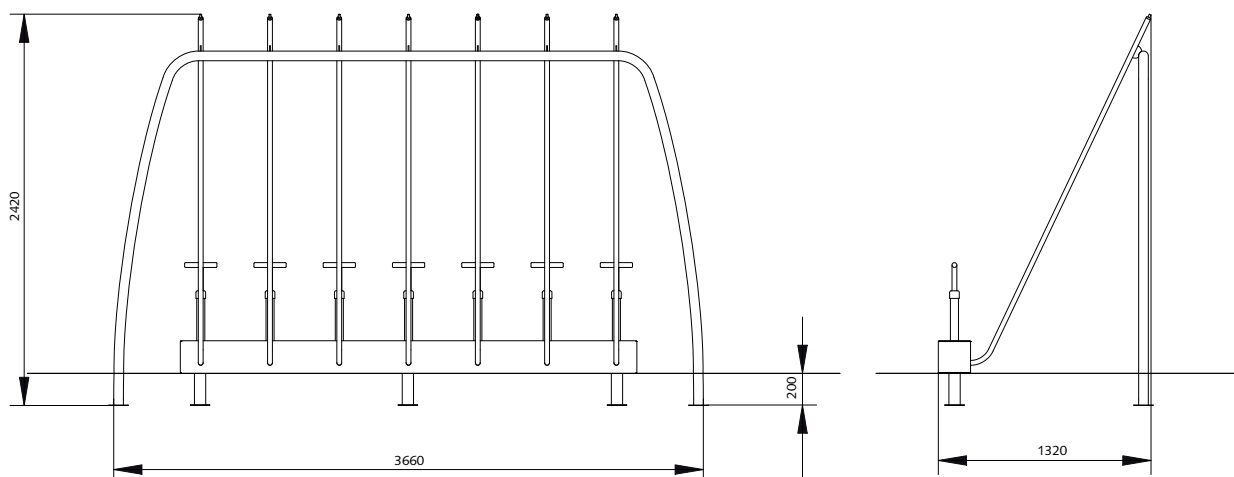


A great way for children to be competitive and have fun - using water pumps you can push the water through the pipes and try to get a jet as high as possible. This helps to understand the connection between water pressure and water speed, and at the same time challenge your friends in funny water games.

Supporting structure made up of robust stainless steel tube. Pumping elements are set on Ø50 mm stainless steel tubing and connected to Ø30mm stainless steel spraying tubes.

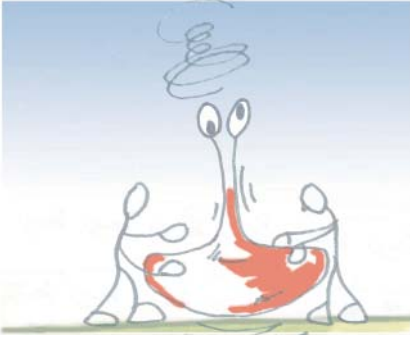
On request it is possible to modify the orientation of the water-jet tubes. Height 220 cm, width 200 cm, length 280 cm.

**Part code 55.560.000**





## TRADITION WITH A TWIST



Traditional play equipment is the result of hundred's of year's of evolution, where children have distilled their experiences down to a number of elemental movements – turning on a roundabout, up and down on a see-saw, backward and forward on a swing.

Here we have all these basic ingredients but with bags of added value! – from simply putting the roundabout on a slant to creating a fabulous gyroscopic roundabout or from a see-saw which you can adjust to enable kids to balance with adults to ... the best of all, combining a roundabout and a swing – the Swinging Nest – this really is tradition with a twist!





SEE-SAW	
Part code	Description
55.552.000	See-Saw for two
55.554.000	See Saw for four

**SEE-SAW** 

See saw Margery Daw - a classic sea-saw with a technical twist. This traditional see-saw has an integral mechanism which, by turning a wheel, allows the bed of the see-saw to move along the pivot to create an uneven longer and a shorter side. This enables a child and a parent to balance despite the weight difference - great learning experience based on leverage!

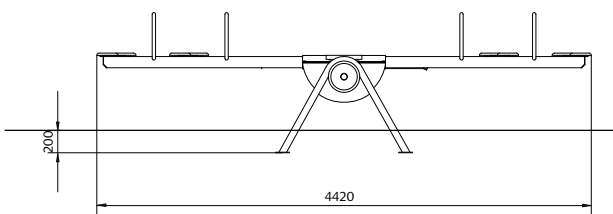
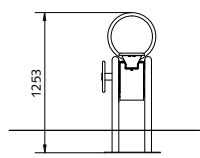
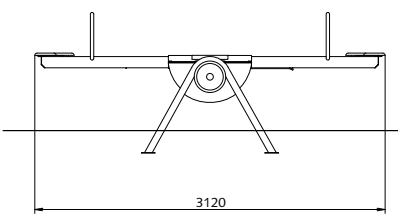
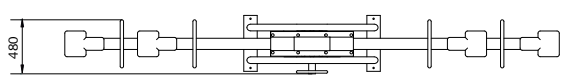
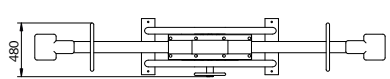
One of the oldest and perhaps best loved games for young children to play with their parents – a game of real communication, which other game do you constantly face your partner? which enables kids to interact with their friends whilst looking straight at them – great interaction/communication.

The horizontal element is manufactured from square section stainless steel with tubular stainless support arches and handles. Two versions are available for two people (photo 1) or a larger one for four (photo 2).



Part code 55.552.000

Part code 55.554.000





**1 SEMIBALL**



A simple piece of play equipment in the shape of a shell which has been designed to give children that centrifugal experience. Large enough for children to stretch out comfortably, with a friend to push or on their own, children have fun in letting themselves go and relaxing in the irregular rotating movements.

The semiball 'cup' is manufactured from robust and hardwearing stainless steel making it suitable for any environment. Similarly the rotation pivot and support frame of the structure are also manufactured from stainless steel tube.

**2 GYROSCOPIC BICYCLE**

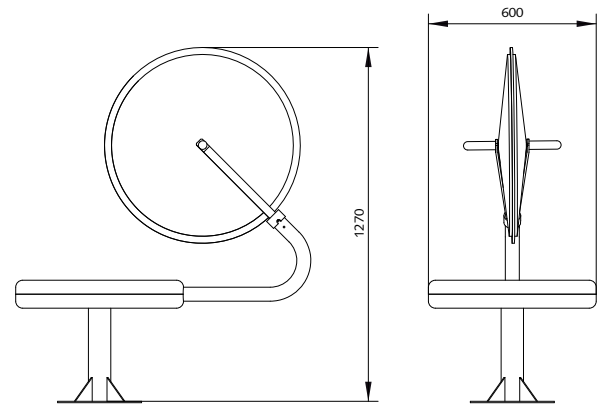


An amazing concept - one child sits on the stool holding the two handles either side of the wheel. A friend then spins the wheel as hard as possible. Take your feet off the ground, incline the handles and experience the gyroscopic effect as the stool 'magically' turns in the direction you point! But then what happens if you try to turn it back? A rotating seat that really gets children's imagination thinking about motion.

The product is manufactured from hard wearing stainless steel with a safer surface seat. The wheel is made from glass fiber to ISO 5470, supported by stainless tubing.

<b>1</b>	<b>SEMIBALL</b>
<b>Part code</b>	<b>Description</b>
55.541.000	SemiBall
<b>2</b>	<b>GYROSCOPIC BICYCLE</b>
<b>Part code</b>	<b>Description</b>
55.540.000	Gyroscopic Bicycle

Part code 55.540.000



1

2



<b>1</b>	<b>ROTATING SEE-SAW</b>
Part code	Description
55.550.000	Rotating See-Saw
<b>2</b>	<b>ROUNABOUT</b>
Part code	Description
55.548.000	Roundabout

**1 ROTATING SEE-SAW** modo

An amazing see-saw that rotates on itself with incredible, sinuous movements. Simply push and go and the see-saw will 'rock and rotate' with you - a true feeling of flying! The see-saw is also fitted with a speed limiter which ensures that it does not exceed a safe speed, making it great fun for anyone over 6 years old. The main pillar is manufactured from robust stainless steel tube, with the arched support also stainless steel tube as are the seats with safety handles.

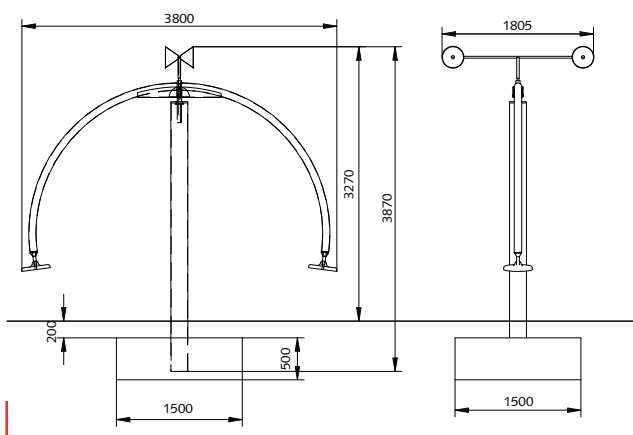
Rotating structure in the upper part of the game composed of two couples of conical elements that are further joined together with a stainless tube.

**2 ROUNABOUT** modo

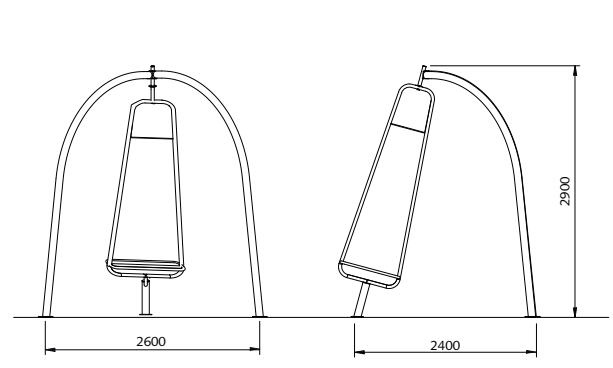
Climb aboard the roundabout to feel the giddiness of the centrifugal force! A great game for exploring centres of gravity - by adjusting your barycentre you can rotate yourself. The main column is manufactured from Ø48mm stainless steel tube, with a supporting base covered with anti-slip material. The arch support is also manufactured from stainless steel tube.



**Part code 55.550.000**



**Part code 55.548.000**





## 1 DUTCH DISC



A traditional Dutch Disc design with a huge Ø2.5m diameter play area. A great activity for a group of friends trying to keep their balance, testing centrifugal force or simply playing a roundabout game. Can the children maintain co-ordination of their movements and hold their position?

The disc is manufactured from robust stainless steel with the bed covered with an anti-slip safer surface material and a stainless tube around the perimeter of the disc.

## 2 SPINNING TOP



A fun game that stimulates children to find new positions, cope with changes in speed as well as learning the bases of rotational movement. Like skaters, children are able to perform amazing pirouettes - like turning on a sixpence!

The movement unit is in cast iron mounted on a ball race, with the base covered in chequer plate and a safer surface.

The support column is manufactured from stainless steel tube with an Ø80mm spherical handle.

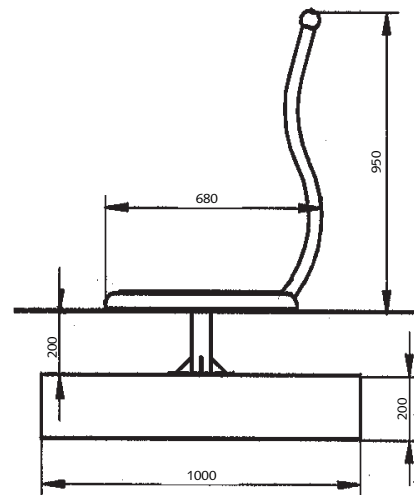
## 1 DUTCH DISK

Part code	Description
55.547.000	Dutch Disc

## 2 SPINNING TOP

Part code	Description
55.555.000	Spinning Top

Part code 55.555.000





1	LITTLE MUSHROOM
Part code	Description
55.546.000	Little Mushroom
2	TURNTABLE
Part code	Description
55.556.000	TurnTable

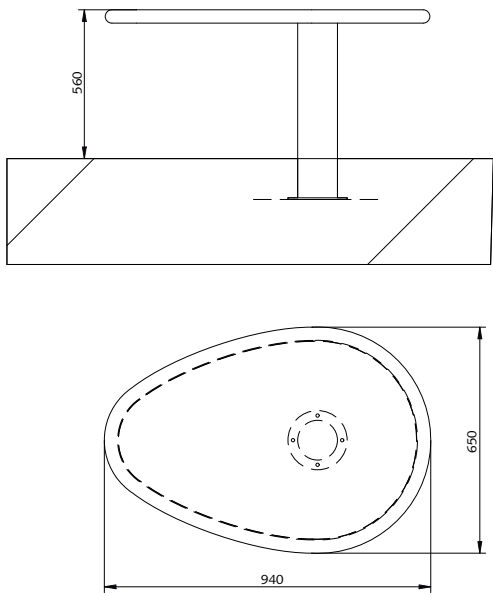
1 **LITTLE MUSHROOM** 

A great variation on the roundabout/Dutch Disc theme but mounted slightly higher. The children can climb onto the oval face with its axis off-centre and try and keep their balance as it rotates. How different or how easy is it to move when you start by standing over the axis and steadily move outwards?!

The surface has an anti-slip surface material and the edges are rounded for safety. The sturdy supporting pillar is of robust stainless steel.

The mushroom is 650mm wide and 940mm long and sits 560mm off the ground.

Part code 55.546.000



2 **TURNTABLE** 

More options with another variant on the roundabout theme this is a lazy way to play! The turntable is an inclined disk covered with shockproof material on which you can hang and let yourself turn without falling down. It enables younger children to lean their bodies on the surface and rotate in a liberating way.

The rotating element is manufactured from stainless steel mounted on a sturdy supporting pillar.

The Turntable is 600mm wide and 400mm long and sits 110mm off the ground.



**1 TROTTOLA**



It's a soft, round object reminiscent of the old spinning top; it can be used to add a feature to a green area or an urban space area. With its rounded shape it offers a flexible design piece either fixed horizontally, inclined or with a rotating option.

Wonderfull sculptural furniture piece with its own characteristics which makes it pleasing to the eye. The possibilities for play are endless and only depend on how children decide to relate with this unusual shape. Sit down and let yourself be taken on a special journey...and discover what Trottola is able to do !!

**2 NIDONDOLO - THE SWINGING NEST**



At last a game that appeals to everyone. The swinging nest is more than just an amusing way to pass the time. Just the slightest movement will cause the nest to turn and swing at the same time. Children can climb, lie, sit or even stand in the nest for a great communal experience.

All play surfaces are protected using safer surface to safeguard children as they climb in and out of the nest.

**3 SANDPIT**

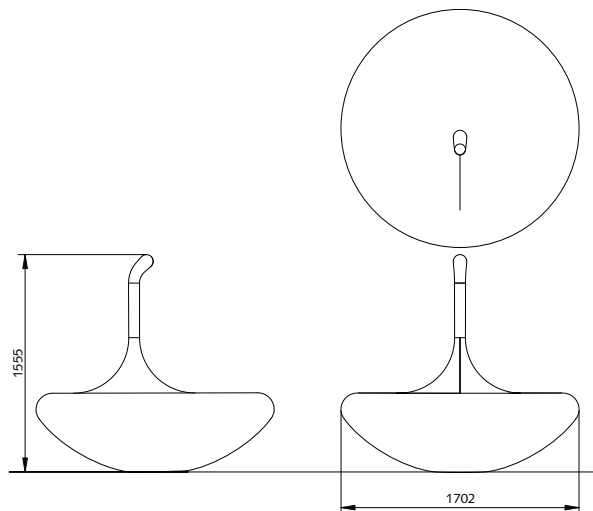


The classic sand pit is a fun and constructive way to play. A 2,000 mm. parabolic container in 3 mm stainless steel plate with safe rounded edges. Supports manufactured from Ø40 mm stainless steel tube. A real traditional game for young children, with it's water like qualities, the sandpit gives hours and hours of enjoyment – sifting and moving or building roads, buildings and whole towns!

Design tobia.reposi  
Height 70 cm, diameter 200 cm.

<b>1</b>	<b>TROTTOLA</b>
Part code	Description
55.590.000	Trottola, standard
<b>2</b>	<b>NIDONDOLO - THE SWINGING NEST</b>
Part code	Description
55.557.000	The Swinging Nest
<b>3</b>	<b>SANDPIT</b>
Part code	Description
55.570.000	Sandpit

Part code 55.590.000





**MECHANICS AND GRAVITY**



This is the heavy mob!

For every action there is an equal and opposite reaction ... and the ideas in these products is to give children the opportunity to find out what happens when forces come into play!

Mechanics is about things that move, how they move why they move, what makes them move?

From a gravity zip wire to a heavy weight pulley system, fun ways to help children's imagination when considering the power of gravity and how we have overcome this to build the world in which we live.



## 1 GYROSCOPIC WHEEL



A lenticular wheel suspended by chain with two handles fastened to the supporting framework either side.

The wheel is mounted on a bearing enabling it to rotate.

Spin the wheel stand round the barrier and see how the gyroscopic effect works!

Manufactured with a robust stainless steel tubular framework, wheel suspended by stainless steel chain and manufactured from glass fibre to ISO5470.

## 2 LEVERS



With a small amount of effort, you can move a very big load! This is a simple machine which demonstrates the use of levers and how they can be applied on our everyday lives. Archimedes first described the principle which we can now see applies to wheel barrows, nutcrackers and even see-saws!

Three stepped lever elements are manufactured from stainless steel tube with sandblasted concrete weights fastened to the ends.

Supporting structure in tubular stainless steel.

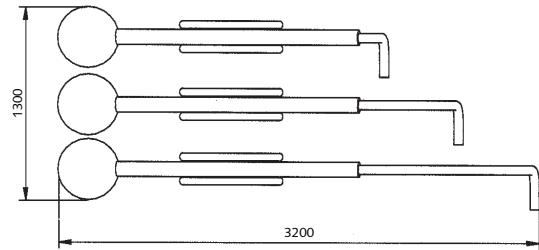
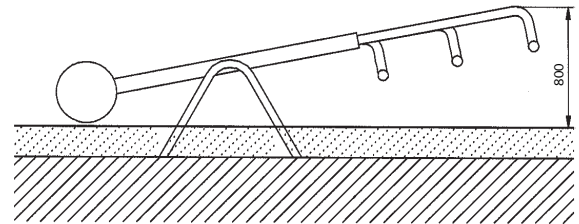
## 1 GYROSCOPIC WHEEL

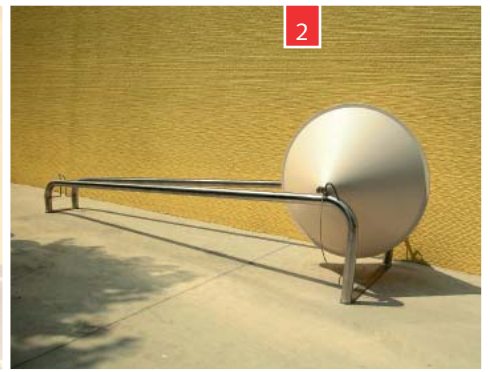
Part code	Description
55.543.000	Gyroscopic Wheel

## 2 LEVERS

Part code	Description
55.544.000	Levers

Part code 55.544.000





<b>1</b>	<b>PULLEYS</b>
Part code	Description
55.545.000	Pulleys
<b>2</b>	<b>TORICELLI</b>
Part code	Description
55.549.000	Toricelli

**1 PULLEYS** modo

An installation which clearly demonstrates the principle of mechanical advantage. Not just a way of lifting weights but a demonstration of how throughout time people have used this means of lifting to push forward the capabilities of construction.

Sandblasted concrete spheres are suspended by stainless traction cables over a series of pulleys ending with a nylon rope to operate the system. Supporting framework is manufactured from robust stainless steel tubing.

**2 TORICELLI** modo

A visual illusion which looks like a strange shaped object but is effectively a double cone, mounted onto two diverging rails, which appears to go uphill. But it's just an illusion: it balances at the top of the poles because it's centre of gravity (when moving from the start position to the end) is actually lower.

The track system is manufactured from robust 60mm diameter stainless steel tube, with the conical roller manufactured from glass fibre to ISO5470 running on a stainless rod.





## 1 ROPEWAY



A zip wire! This device allows children to feel the sensation of flying and throwing themselves into the air in complete safety.

Let yourself be transported from one end of the cable to the other and challenge your playmates to see who can make it to the other side. Supporting pillar is manufactured from Ø200 mm tube, with the trestle at either end in Ø48 mm tube, shields from Ø40 mm tube, all stainless steel. Stainless steel sliding cable.

Design tobia.reposi.

Height 430 cm, width 200 cm, length 2,400 cm.

## 2 ANEMOMETER



This anemometer is used in making precise measurements of wind speeds and directions.

A wholly educational tool children can systematically register wind stream and direction, to make regular weather condition notes. It can be useful to find out that when it rains or snows, some defined conditions occur repeatedly. Supporting structure made up of 90 mm. Ø stainless steel tube.

Design tobia.reposi.

Height 350 cm, width 110 cm, length 170 cm.

## 1 ROPEWAY

Part code	Description
55.542.000	Ropeway

## 2 ANEMOMETER

Part code	Description
55.580.000	Anemometer

## 3 SUNDIAL

Part code	Description
55.583.000	Sundial

## 3 SUNDIAL

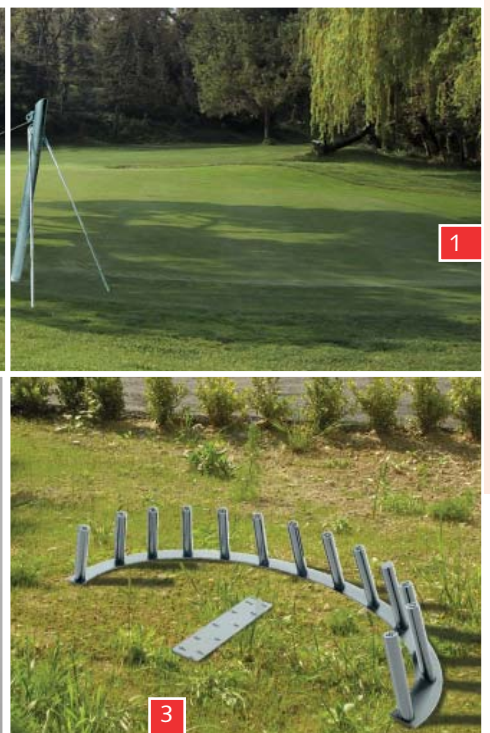
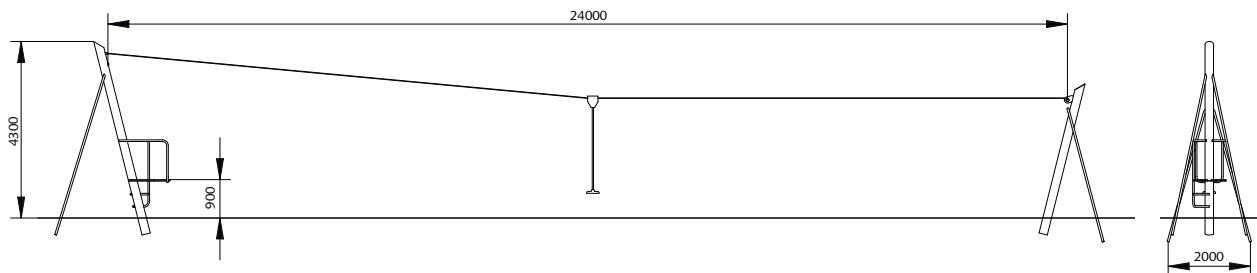


Horology and time! The principle is demonstrated here using a sundial as used by our ancestors. A simple sun-dial which tells the time with the shadow produced by our body shape.

The columns and hour markers are manufactured from 100mm diameter stainless steel tubes mounted on a semi circle of laser cut stainless plate. A further stainless plate placed in the centre of the arc marks the months of the year.

The most ancient and still reliable way of telling the time by the hours. This stylish sundial in the style of the whole of the science park range can be mounted to give children an insight into the movement of the sun and the passing of time ... is it tea time yet or can we play for a little more time ... !

Part code 55.542.000





#### **CAD DRAWINGS AND DESIGN**

We can help prepare CAD drawings and schematics for your scheme, to your specifications.

#### **SPECIFICATION**

If you wish to specify Falco products then our website should contain all the information you require, if not PDF's are available on request.

#### **SITE VISITS**

Falco Technical Sales staff are available to carry out free site visits, just make an appointment with our office.

#### **QUOTATION**

We will be pleased to make you a detailed offer with fixed prices, conditions, product descriptions and delivery times.

#### **ORDER CONFIRMATION**

We take great care with your order, to avoid any mistakes we ask you to check our order confirmation thoroughly.

#### **AVAILABILITY**

Some of the products illustrated are available ex-stock. Other products are made to order. Please ask our sales department to advise specific dates for products of interest.

#### **DELIVERY**

Delivery charges are quoted separately and where appropriate will assume the availability of mechanical handling to off-load products at point of supply. On request we can provide a vehicle with an appropriate lifting equipment.

#### **ASSEMBLY**

Some products are delivered in flat pack format and will require on site assembly. Falco has an assembly team who can assemble all our products at extra cost.

#### **INSTALLATION**

Falco employs its own installation teams who are all CSCS certified as a minimum. We can provide full installation drawings.

#### **HEALTH AND SAFETY**

Health and Safety is paramount at Falco, particularly during installation - Falco is a CHAS compliant business.

#### **QUALITY**

Falco's products meet the highest standards of quality thanks to our internal quality control, we aim to provide the best in terms of products and service.

#### **ENVIRONMENT**

Falco's aim is to minimise any adverse environmental effects which result from its business operations such as the use of FSC certified wood.

#### **GENERAL TERMS AND CONDITIONS**

Written quotations will include our general terms and conditions relating to the offer, these are also available on request.

#### **GUARANTEE**

Falco provides a 12 month product guarantee under the terms described in our general sales and delivery conditions.

#### **DESIGN RIGHTS**

Most of the products in this brochure are registered models. These are manufactured exclusively for Falco and copying any of these designs is illegal.

#### **FINALLY**

This Falco brochure has been prepared with great care. However, printing and typesetting errors are sometimes unavoidable. Products and specifications in this catalogue may be modified at anytime.

#### **QUESTIONS?**

T (01538) 380080

F (01538) 386421

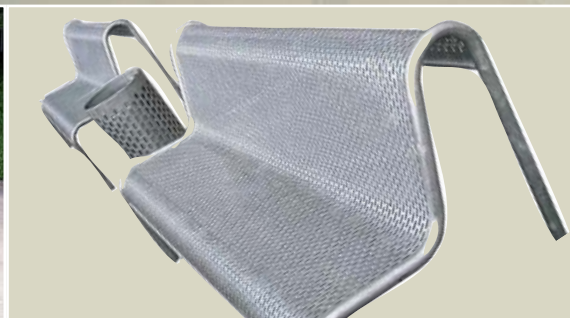
E sales@falco.co.uk

W www.falco.co.uk

Barnfield Close, Barnfield Ind Est

Leek Staffordshire ST13 5EG





### FALCO – A SUPPORTIVE BUSINESS

I hope we have been able to give you some great ideas to further your streetscene plans.

To help with planning details you can download technical files in pdf format from our website, plus we also provide CAD schematic design facilities as part of our service.

If you cannot find just what you are looking for then do give us a call, we are developing new products all the time and most of all - we have a helpful and proactive sales team.

### INSTALLATION

We employ our own teams of well trained installation engineers as well as having our own delivery vehicles with mechanical lifting facilities for the more substantial products.

Plus we provide 'turnkey' project management from site surveys to final sign off from a professional contract management team.

### HOT DIP GALVANISING

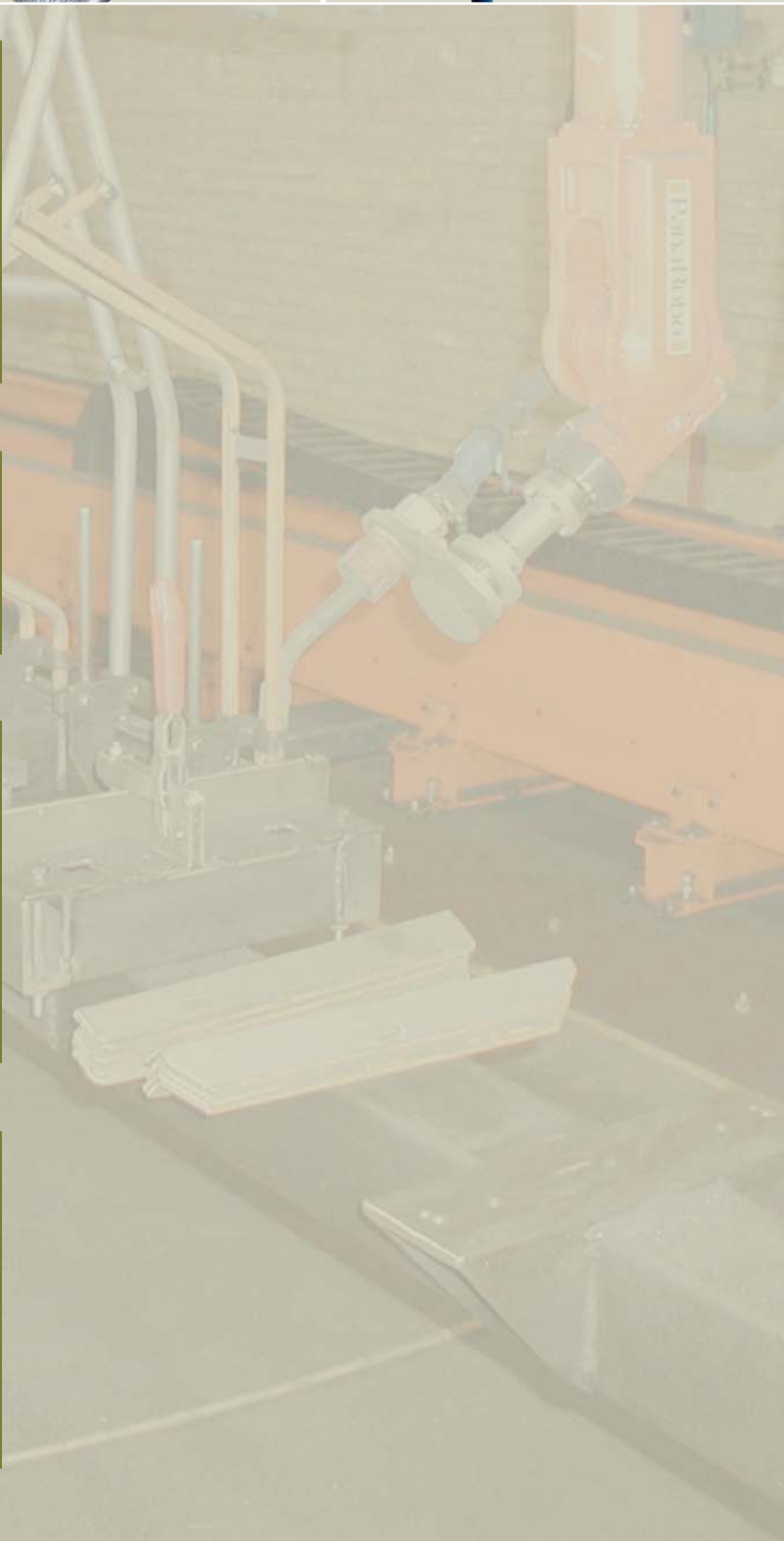
In order to give all Falco's steel based products additional durability, they are hot dip galvanised to BS EN 1461. This is a three stage process creating a series of zinc-iron alloys which are chemically attached to the product. This zinc layer can provide long term corrosion resistance for up to 25 years and longer in an inland environment depending on the local conditions.

The zinc layer provides an excellent base for any subsequent powder coating process.

### POWDER COATING

To provide additional protection as well as a decorative layer of colour powder coating can be undertaken on top of the galvanised finish. Following galvanisation the structure is electrically charged causing the steelwork to attract the polyester powder which is sprayed evenly over the surface of the product.

The whole structure is then cured in a high temperature oven causing the powder to fuse to the zinc layer. The result is a uniform, durable, high-quality and attractive finish.





### STAINLESS STEEL

The exceptional corrosion resistance of stainless steel comes from the addition of alloys, mainly chrome and nickel.

Falco uses the highest quality stainless steel – both 304 and 316 grades. With 316, the investment might be a little higher but the level of protection against corrosion is unparalleled especially in marine or industrial environments.

### FSC CERTIFIED WOOD

The FSC logo identifies products which contain wood from well managed forests certified in accordance with the rules of the Forest Stewardship Council.

Falco tries hard to be environmentally friendly throughout our business, we are therefore proud to have the FSC certificate.



The mark of responsible forestry.

CU-COC-008530

©1996 Forest Stewardship Council

### OUR BUSINESS

Falco designs, manufactures, supplies and installs a complete range of outdoor furniture for buildings, streets, parks, and urban environments. The 35,600m<sup>2</sup> manufacturing and business complex at the head office is being continually developed and now contains our most advanced production and storage facilities. All our products are developed with cutting edge design, high quality and durability in mind. Combining these factors with affordable prices enables customers to enjoy a very low cost of ownership when purchasing Falco goods. The production range currently extends to around 20,000 products, with this product portfolio Falco now occupies a leading position in many European countries.

Falco's business culture is based on the integrity of our staff and confidence in our products. All business processes are undertaken in a timely and professional manner and all staff are encouraged to be proactive and courteous at all times.

Our aim is to establish professional partnerships and develop long term relationships with all our external partners.