

STAUFF



## Hydraulic Accessories

Local solutions for  
individual customers  
worldwide



- Comprehensive choice
- Immediate delivery
- High quality standard

The STAUFF hydraulic accessories programme has been carefully designed to offer a range of components suited to the demands of building hydraulic systems in most industrial and mobile applications.

Whether you require simple filler breathers or precise electrical level switches, flow control valves or complete filter units; the STAUFF accessories range should provide you with the choice you need.

At STAUFF we are aware of the ongoing development and innovation within the hydraulic industry.

## Walter Stauffenberg GmbH & Co. KG

P.O. Box 1745 • 58777 Werdohl • Germany  
Im Ehrenfeld 4 • 58791 Werdohl • Germany

Telephone: + 49 2392 916-0

Facsimile: + 49 2392 2505

E-Mail: sales@stauff.com

Internet: www.stauff.com

We strive to keep up with and further develop the latest technology and to bring the benefit of any such improvements directly to the customer.

Additionally we are always prepared to consider custom built products, if you have a special need.

We ensure that your most urgent requirements are met by keeping a large and comprehensive stockholding both in Germany and in our overseas locations.

These products are subject at all times to our EN ISO 9001:2000 Quality Management Systems.

### AUSTRALIA

STAUFF Corporation Pty. Ltd.  
P.O. Box 227  
Unanderra, NSW, 2526  
24-26 Doyle Avenue  
Unanderra Wollongong, NSW, 2526  
Telephone: +61 2 4271 18 77  
Facsimile: +61 2 4271 84 32  
sales@stauff.com.au

### BRAZIL

STAUFF Brasil Ltda.  
Avenida Gupê 10767  
Galpão 2 - Bloco A  
Barueri - São Paulo  
CEP 06422-120  
Telephone: +55 11 47 72 72 00  
Facsimile: +55 11 47 72 72 10  
stauff@stauffbrasil.com

### CANADA

STAUFF Canada Ltd.  
866 Milner Avenue  
Scarborough  
Ontario M1B 5N7  
Telephone: +1 416 282 46 08  
Facsimile: +1 416 282 30 39  
sales@stauffcanada.com

### CHINA

STAUFF International Trading  
(Shanghai) Co., Ltd.  
Shangdian Mansion, Pudong  
551, Gaoke Road (W.)  
200126 Shanghai  
Telefon: +86 21 58 45 65 60  
Telefax: +86 21 58 45 66 80  
stauffsh@public.sta.net.cn

### FRANCE

STAUFF S.A.  
230, Avenue du Grain d'Or  
Z.I. de Vineuil - Blois Sud  
41354 Vineuil-cedex  
Telephone: +33 2 54 50 55 50  
Facsimile: +33 2 54 42 29 19  
direction@stauffsa.com

### INDIA

STAUFF India Pvt. Ltd.  
Gat. No. 2340  
Pune Nagar Road, Wagholi  
Pune, 412207  
Telephone: +91 20 3293 0124  
Facsimile: +91 20 2705 1567  
sales@stauffindia.com

### IRELAND

STAUFF Ireland  
Unit B3  
Weatherwell Business Park  
Clondalkin  
Dublin 22  
Telephone: +353 (0)1457 4936  
Facsimile: +353 (0)1467 0687  
sales@stauff.ie

### ITALY

STAUFF Italia s.r.l.  
Viale Nuova Valassina 78  
angolo Via Baragiola sn  
20033 Desio (Mi)  
Italia  
Telephone: +39 0362 63 80 70  
Facsimile: +39 0362 63 80 69  
sales@stauff.it

### KOREA

STAUFF Korea Ltd.  
1500-12, Dadae-Dong  
Saha-Ku  
Pusan, 604-826  
Telephone: +82 51 266 6666  
Facsimile: +82 51 266 8866  
info@stauff.co.kr

### NEW ZEALAND

STAUFF Corporation (NZ) Ltd.  
P. O. Box 58517  
Greenmount, Auckland  
Unit D, 103 Harris Road  
East Tamaki, Auckland  
Telephone: +64 9 271 48 12  
Facsimile: +64 9 271 48 32  
info@stauff.co.nz

### POLAND

STAUFF Polska Sp. z o.o.  
ul. Rdestowa 51  
81-591 Gdynia  
Telephone: +48 (58) 660 11 60  
Facsimile: +48 (58) 629 79 52  
sales@stauff.pl

### RUSSIAN FEDERATION

STAUFF LLC  
Office 205, Building 7  
11, Scharikopodschipnikovskaya  
Moscow, 115088  
Telephone: +7 495 223 89 61 and  
+7 495 679 90 08  
Facsimile: +7 495 679 90 48  
sales@stauff.ru

### UNITED KINGDOM

STAUFF UK Ltd.  
500, Carlisle Street East  
Off Downgate Drive  
Sheffield, S4 8BS  
Telephone: +44 114 251 85 18  
Facsimile: +44 114 251 85 19  
sales@stauff.co.uk

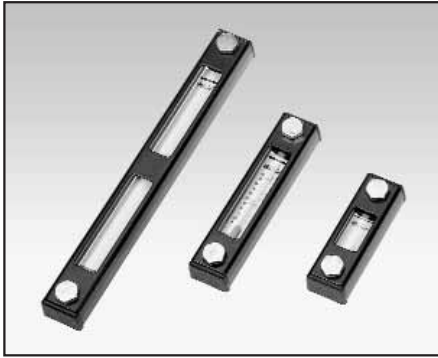
### UNITED STATES OF AMERICA

STAUFF Corporation  
7 Wm. Demarest Place  
Waldwick, 07463-1542  
New Jersey  
Telephone: +1 201 444 78 00  
Facsimile: +1 201 444 78 52  
sales@stauffusa.com

**Distributors and warehouses  
in all industrial countries.**

<b>STAUFF Hydraulic Accessories</b>		<b>Page</b>
Level Gauges	<b>SNA</b>	<b>4</b>
Level Gauges	<b>SNK</b>	<b>5</b>
Thermo Switches	<b>TS</b> (for SNA and SNK)	<b>6</b>
Level-Temperature Switches	<b>SLTS</b>	<b>7</b>
Throttle and Flow Control Valves	<b>DV/DRV</b> (In-line mounting)	<b>8</b>
Throttle and Flow Control Valves	<b>DVP/DRVP</b> (Manifold mounting)	<b>9</b>
Throttle Valves	<b>DVE</b> (Cartridge assembly)	<b>10</b>
Flow Curves	<b>DV/DRV - DVP/DRVP - DVE</b>	<b>11</b>
Check Valves	<b>RV</b> (In-line mounting)	<b>12</b>
Plastic Filler Breathers	<b>SPB</b>	<b>13-15</b>
Plastic Filler Breathers	<b>SPBN</b> (Narrow Version)	<b>16-17</b>
Metal Filler Breathers		<b>18-21</b>
	<b>SMBB</b> (Bayonet style)/	
	<b>SMBT</b> (Screw-in style)/	
	<b>SMBP</b> (Push-on style)	
Angled side Mounting Brackets	<b>SMBB-ASMB</b>	<b>22</b>
Lockable Metal Filler Breathers	<b>SMBL</b>	<b>23</b>
Plastic Filler Breather	<b>SES</b>	<b>24</b>
Giant Air Breathers	<b>SGB</b>	<b>25</b>
Desiccant Air Breathers	<b>SDB</b>	<b>26-27</b>
Inclusive accessories: adaptor plates (AP), contamination indicator (FM), Drying agent refilling material (RD); replacement air filter inserts (SGB)		
Suction Strainers	<b>SUS</b>	<b>28</b>
Diffusers	<b>SRV</b>	<b>29</b>
Flow Indicators	<b>SDM / SDM K</b>	<b>30-31</b>
Pressure Gauges	<b>SPG</b>	<b>32-33</b>
Gauge Isolator Valves (Single/Multi Station)	<b>SWS</b>	<b>34</b>
Return Line Bushings	<b>SRF</b>	<b>35</b>

In the past you found information about our Spin-on-filters product range here.  
This information now has been summarized in our new catalogue "Spin-on-filters", please contact STAUFF or your local distributor for your personal copy.



### Area of Application:

Visual fluid level indication in hydraulic reservoirs

### Characteristics:

- suitable for hydraulic oil HL and HLP
- option available with dial thermometer with probe or thermo switch (Page 6)
- UV-resistant

Please consult our office before using SNA with fluids such as biological oils, diesel fluids or gasoline. Special requirements (specific chemical resistance, particular UV-stability or special sizes) on request.

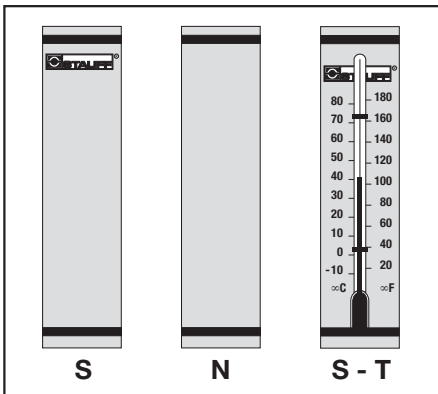
### Technical Data:

Temperature range: -30°C ... +80°C  
 Calibration of capillary tube thermometer:  
 SNA 076 +20°C ... +80°C  
 SNA 127/176/254/305 -10°C ... +80°C  
 Calibration of dial thermometer with probe:  
 0°C ... +100°C  
 Tank pressure: 1 bar max  
 Recommended tightening torque: 8 Nm

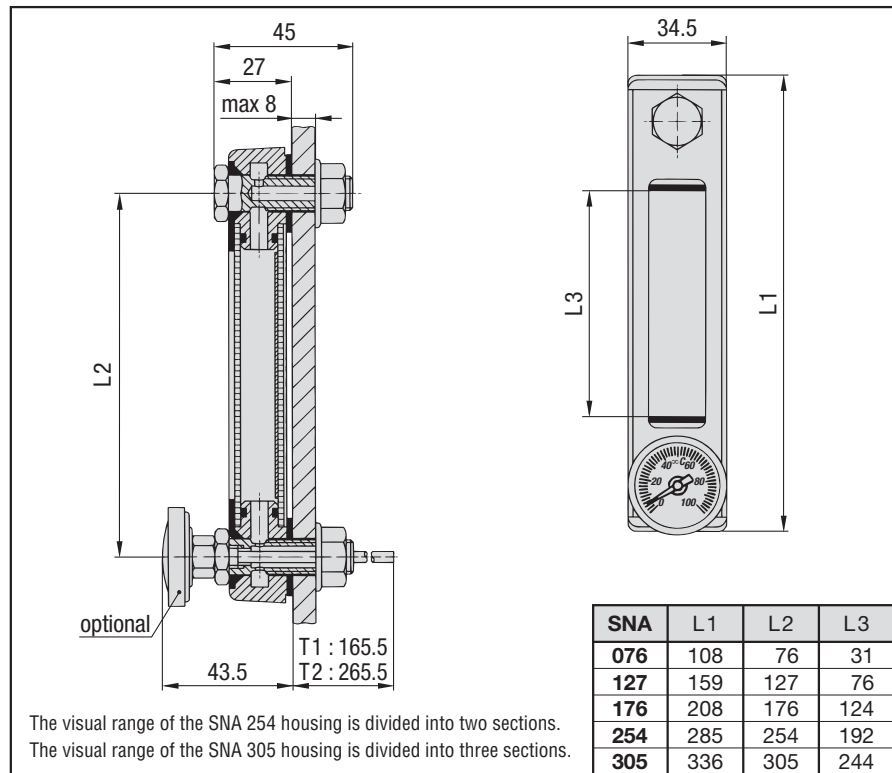
### Materials:

Housing: St 12 (black epoxy)  
 Plugs, Sight tube: PA  
 Scale Plates: PVC

### Design of scale plates



### Dimensions



### Ordering Code

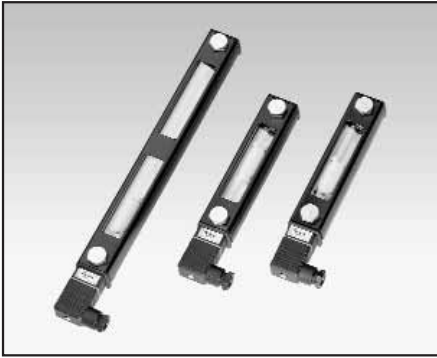
**SNA 127 B - S - O - 12 - O - 60**

<b>Type</b> SNA	<table border="1"> <tr> <td><b>Switching Temperature</b></td> <td>60</td> <td>60°C/140°F</td> </tr> <tr> <td></td> <td>70</td> <td>70°C/150°C</td> </tr> <tr> <td></td> <td>80</td> <td>80°C/176°F</td> </tr> </table>	<b>Switching Temperature</b>	60	60°C/140°F		70	70°C/150°C		80	80°C/176°F	
<b>Switching Temperature</b>		60	60°C/140°F								
		70	70°C/150°C								
		80	80°C/176°F								
<b>Series</b>		<table border="1"> <tr> <td colspan="2"><b>Thermo Switch TS-SNA/SNK</b> for size M12 only not in conjunction with thermometer T1 and T2</td> </tr> <tr> <td>(none)</td> <td>without thermo switch</td> </tr> <tr> <td>O</td> <td>Break Contact (n/c), standard plug</td> </tr> <tr> <td>OD</td> <td>Break Contact (n/c), desina plug</td> </tr> </table>	<b>Thermo Switch TS-SNA/SNK</b> for size M12 only not in conjunction with thermometer T1 and T2		(none)	without thermo switch	O	Break Contact (n/c), standard plug	OD	Break Contact (n/c), desina plug	
<b>Thermo Switch TS-SNA/SNK</b> for size M12 only not in conjunction with thermometer T1 and T2											
(none)	without thermo switch										
O	Break Contact (n/c), standard plug										
OD	Break Contact (n/c), desina plug										
<b>Seal material</b>	<table border="1"> <tr> <td colspan="2"><b>Banjo bolt</b></td> </tr> <tr> <td>12</td> <td>M12 (standard)</td> </tr> <tr> <td>10</td> <td>M10</td> </tr> </table>	<b>Banjo bolt</b>		12	M12 (standard)	10	M10				
<b>Banjo bolt</b>											
12		M12 (standard)									
10		M10									
<b>Design of scale plate</b>		<table border="1"> <tr> <td colspan="2"><b>Thermometer</b> Dial thermometer with probe T1/T2 for size M12 only</td> </tr> <tr> <td>O</td> <td>without thermometer</td> </tr> <tr> <td>T</td> <td>Capillary tube thermometer on scale plate</td> </tr> <tr> <td>T1</td> <td>Dial thermometer with 200 mm probe</td> </tr> <tr> <td>T2</td> <td>Dial thermometer with 300 mm probe</td> </tr> </table>	<b>Thermometer</b> Dial thermometer with probe T1/T2 for size M12 only		O	without thermometer	T	Capillary tube thermometer on scale plate	T1	Dial thermometer with 200 mm probe	T2
<b>Thermometer</b> Dial thermometer with probe T1/T2 for size M12 only											
O	without thermometer										
T	Capillary tube thermometer on scale plate										
T1	Dial thermometer with 200 mm probe										
T2	Dial thermometer with 300 mm probe										
<b>Series</b>											
<b>Seal material</b>											
<b>Design of scale plate</b>											

<b>Series</b>	076 SNA 076
	127 SNA 127
	176 SNA 176
	254 SNA 254
	305 SNA 305

<b>Seal material</b>	B NBR (standard)
	V FPM

<b>Design of scale plate</b>	S with STAUFF-Logo
	N neutral
	X Special executions



### Area of Application:

Visual / electrical fluid level indication in hydraulic reservoirs

### Characteristics:

- suitable for hydraulic oil HL and HLP
- option available with dial thermometer with probe or thermo switch (Page 6)
- UV-resistant
- available either as a break contact or make contact
- with plug according to DIN EN 175301-803-B/ISO6952 (industry standard) or with plug according to IEC 61076-2-101 M12 (type CD and OD)

**Please consult our office before using SNA with fluids such as biological oils, diesel fluids or gasoline. Special requirements (specific chemical resistance, particular UV-stability or special sizes) on request.**

### Technical Data:

Temperature range:  $-30^{\circ}\text{C} \dots +80^{\circ}\text{C}$   
 Calibration of dial thermometer with probe:  
 $0^{\circ}\text{C} \dots +100^{\circ}\text{C}$   
 Tank pressure: 1 bar max  
 Recommended tightening torque: 8 Nm  
 Please allow a minimum spacing of 10 mm between other components.

### Materials:

Housing: AL (plastic coated)  
 Plugs, Sight tube: PA  
 Float: PA

### Electrical Connections and Functions

Contact load:  
 max 10 W (Type C)  
 max 5 W (Type O)

Bias-reducing Potential:  
 50 V AC/DC

Current contact:  
 max 0.25 A (both types)

Type C and O:  
 connection 3  
 not engaged

Type CD and OD:  
 connection 2  
 not engaged

### Dimensions

standard plug type C or O according to DIN EN 175301-803-B/ISO6952 (industry standard)

M 12 plug, A coded according to IEC 61076 type CD or OD

SNK	L1		L2
	Typ C+O	Typ CD+OD	
127	205	197	127
176	254	246	176
254	332	324	254
305	383	373	305

The visual range of the SNK 254 housing is divided into two sections.  
 The visual range of the SNK 305 housing is divided into three sections.

### Ordering Code

When assembling the electrical contacts the orientation of the electrical switch (right or left hand side) for type C and O can be chosen according to the requirements. For type CD and OD the orientation is set to right hand side. Other requirements on request.

**SNK 127 V - C - O - 12 - O - 60**

Switching Temperature	
60	60°C/140°F
70	70°C/150°C
80	80°C/176°F

Thermo Switch TS-SNA/SNK	
for size M12 only not in conjunction with thermometer T1 and T2	
(none)	without thermo switch
O	Break Contact (n/c), standard plug
OD	Break Contact (n/c), M12 plug

Banjo bolt	
12	M12 (standard)
10	M10

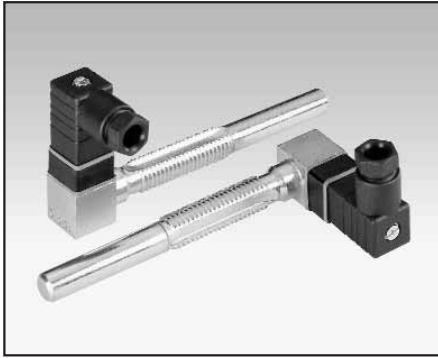
Thermometer	
Dial thermometer with probe T1/T2 for size M12 only	
O	without thermometer
T1	Dial thermometer with 200 mm probe
T2	Dial thermometer with 300 mm probe

Type	
SNK	

Series	
127	SNK 127
176	SNK 176
254	SNK 254
305	SNK 305

Seal material	
V	FPM (standard)

Electrical function	
C	Make contact, closes at minimum level (n/o), standard plug
O	Break contact, opens at minimum level (c/o), standard plug
CD	Make contact, closes at minimum level (n/o), M12 plug
OD	Break contact, opens at minimum level (c/o), M12 plug



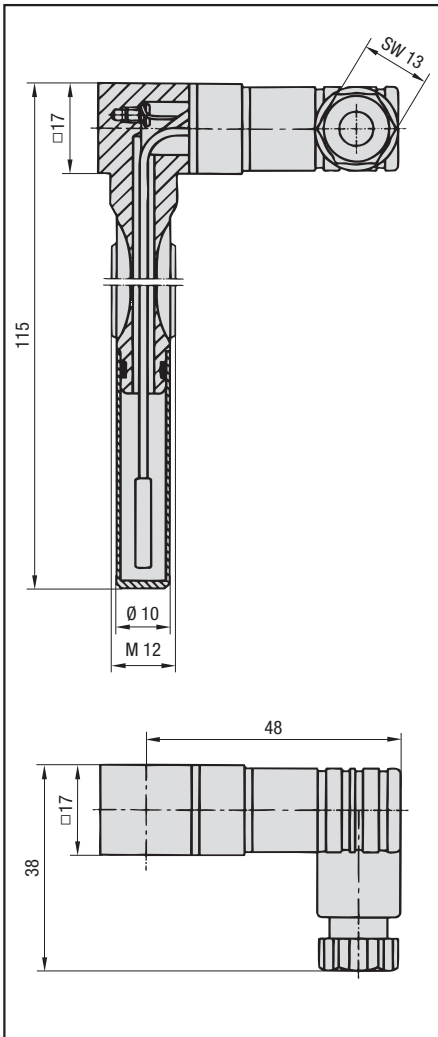
**Area of Application:** Oil temperature indication in conjunction with STAUFF level gauges SNA and SNK

**Characteristics/Materials:**

- available with 60°C, 70°C or 80°C switching temperature
- Activation takes place when the respective switching temperature is exceeded.
- Electrical function: break contact
- With plug according to DIN EN 175301-803-B/ISO6952 (industry standard) or with plug according to IEC 61076 - 2-101 M12 (type OD)
- Steel parts made out of steel (1.0718)
- Plastic parts made out of glass fibre reinforced Polyamide

**Thermo switches are available for the standard mounting size M 12 only.**

**Dimensions**



**Technical Data**

Switching temperature: see ordering code  
 Hysteresis: 20° C  
 Switching temperature tolerance: ± 5°C.

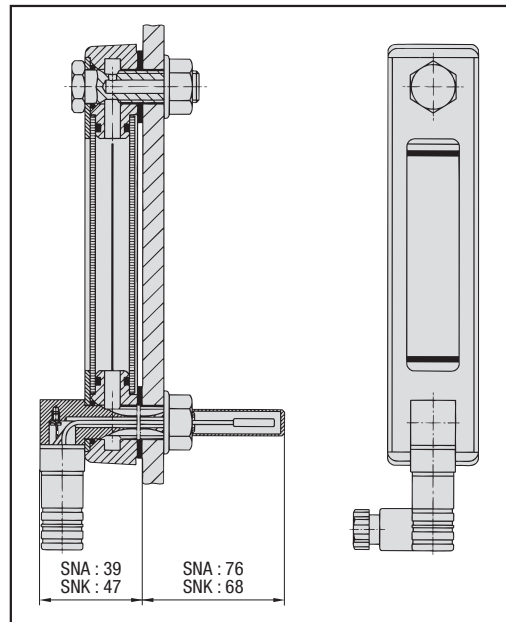
**Alternating current**

- max voltage 250 V
- max current at 10.000 operations  
 2.5 A at cos φ = 1.0  
 1.6 A at cos φ = 0.6
- max current at 100.000 operations  
 0.5 A at cos φ = 1.0  
 ≈ 0.25 A at cos φ = 0.6
- min voltage 50 mA

**Direct current**

- max voltage 42 V
- max current at 10.000 circuits 1 A

**Example of application**



**Option plug**

standard plug type O according to DIN EN 175301-803-B/ISO6952 (industry standard)

M 12 plug, A coded according to IEC 61076 type OD

see page 5 for electrical connections and functions

**Ordering Code and Switching temperatures**

**TS - SNA / SNK - O - 60**

<b>Type</b>	TS Thermo Switch
<b>Series</b>	SNA / SNK
<b>Switching temperature</b>	60 60°C / 140°F 70 70°C / 158°F 80 80°C / 176°F
<b>Electrical function</b>	O Break Contact (n/c), standard plug OD Break Contact (n/c), M12 plug

Thermo switches can be ordered both as a single component and in combination with STAUFF level gauges SNA and SNK. See pages 4 and 5.



### Area of Application:

Electrical level and temperature indication

### Characteristics:

- suitable for mineral oil and HFC fluids, other fluids on request
- either 1 or 2 level contacts available
- 1 integrated temperature sensor
- standard electrical function:  
 Level contacts: normally closed, opens with falling level  
 Temperature contact: normally closed, opens with rising temperature

**STAUFF Level-Temperature switches SLTS are available with other electrical functions on request.**

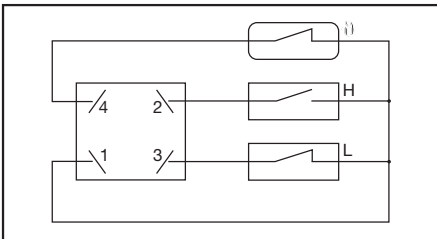
### Technical Data

Stem:	Brass
Float/Seal:	NBR
max operating temperature:	80°C
max operating voltage:	see ordering code
max current (level contact):	0.5 A
max current (temperature contact):	2.0 A
contact load level contact:	10 VA
system of protection:	IP65
Hysteresis:	12°C

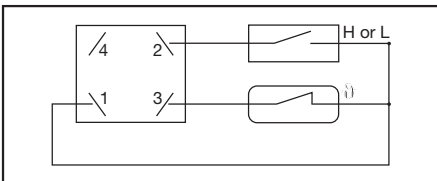
Level contact positions (L, H) are set as given in the chart. They can be adjusted individually later on.

Please consider a minimum distance of 40 mm between the switching points.

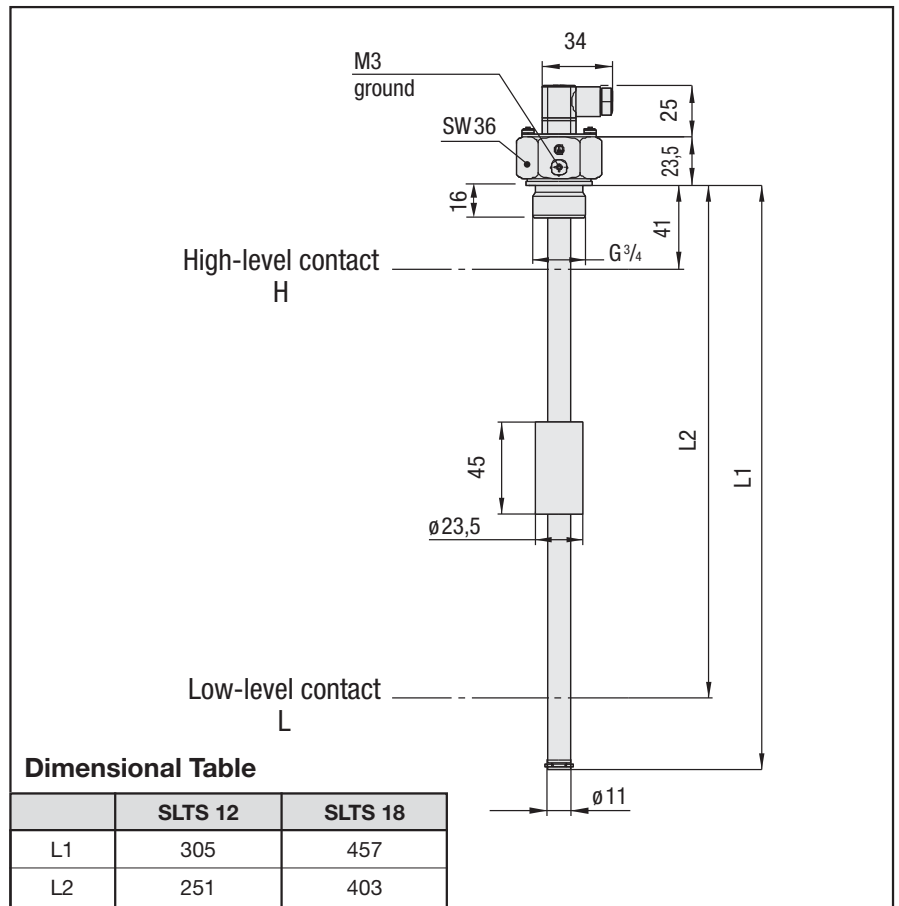
### Wiring Scheme for type 2LH



### Wiring Scheme for type 1L or 1H



### Dimensions



Dimensional Table

	SLTS 12	SLTS 18
L1	305	457
L2	251	403

### Ordering Code

**SLTS 12 - 140 - 2LH - B12 - G048**

<p><b>Type</b></p> <table border="1"> <tr> <td>SLTS</td> <td>Level-temperature switch</td> </tr> </table>	SLTS	Level-temperature switch		<p><b>Voltage (Volt AC/DC)</b></p> <table border="1"> <tr> <td>G048</td> <td>48 Volt max (standard)</td> </tr> <tr> <td>G115</td> <td>115 Volt max (for thread N16 only)</td> </tr> </table>	G048	48 Volt max (standard)	G115	115 Volt max (for thread N16 only)				
SLTS	Level-temperature switch											
G048	48 Volt max (standard)											
G115	115 Volt max (for thread N16 only)											
<p><b>Stem Length</b></p> <table border="1"> <tr> <td>12</td> <td>305 mm</td> </tr> <tr> <td>18</td> <td>457 mm</td> </tr> </table>	12	305 mm	18	457 mm		<p><b>Thread</b></p> <table border="1"> <tr> <td>B12</td> <td>G<sup>3</sup>/<sub>4</sub> (standard)</td> </tr> <tr> <td>N16</td> <td>1 NPT (only on request)</td> </tr> </table>	B12	G <sup>3</sup> / <sub>4</sub> (standard)	N16	1 NPT (only on request)		
12	305 mm											
18	457 mm											
B12	G <sup>3</sup> / <sub>4</sub> (standard)											
N16	1 NPT (only on request)											
<p><b>Switching temperature</b></p> <table border="1"> <tr> <td>140</td> <td>60°C / 140°F</td> </tr> <tr> <td>158</td> <td>70°C / 158°F</td> </tr> <tr> <td>O</td> <td>without temperature switch</td> </tr> </table>	140	60°C / 140°F	158	70°C / 158°F	O	without temperature switch		<p><b>Number of level switches</b></p> <table border="1"> <tr> <td>1</td> <td>1 level switch (L, H)*</td> </tr> <tr> <td>2</td> <td>2 level switch (LH)</td> </tr> </table> <p>* please indicate level position(s): L = low, H = high</p>	1	1 level switch (L, H)*	2	2 level switch (LH)
140	60°C / 140°F											
158	70°C / 158°F											
O	without temperature switch											
1	1 level switch (L, H)*											
2	2 level switch (LH)											



**Area of Application:** Fluid control and flow shut-off

- DV: in both directions
- DRV: in direction A-B (free flow in reverse direction)

**Characteristics/Materials:**

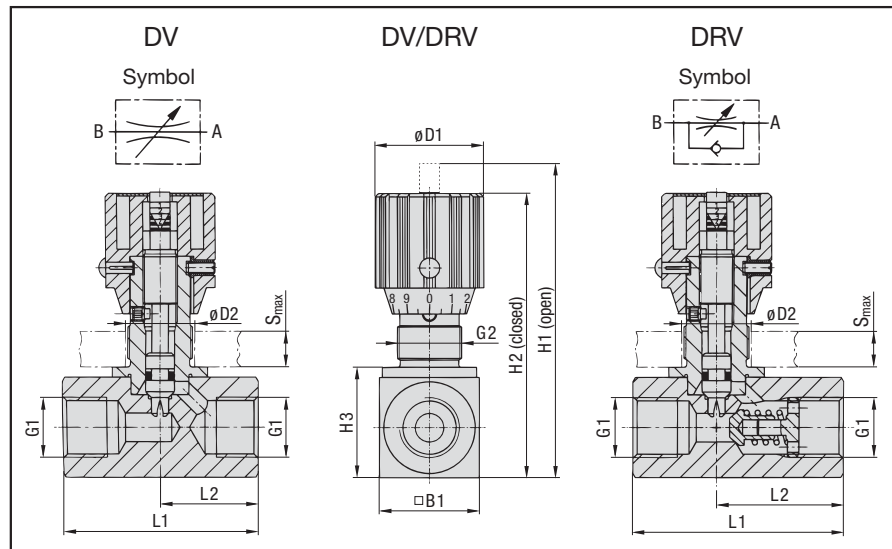
- designed for in-line mounting
- suitable for mineral oil
- Nuts for panel-mounting are available on request
- Housing: Steel (1.0715), zinc-plated (Fe/Zn 8 C)
- Turning knob: Polyamide

**Please consult our office before using with other fluids, or for special stainless steel material.**

**Technical Data:**

max Working Pressure  $p_N$ : 350 bar  
 Temperature  $t_{max}$ : 100°C  
 Opening Pressure DRV:  
 0.5 bar (4.5 bar on request)

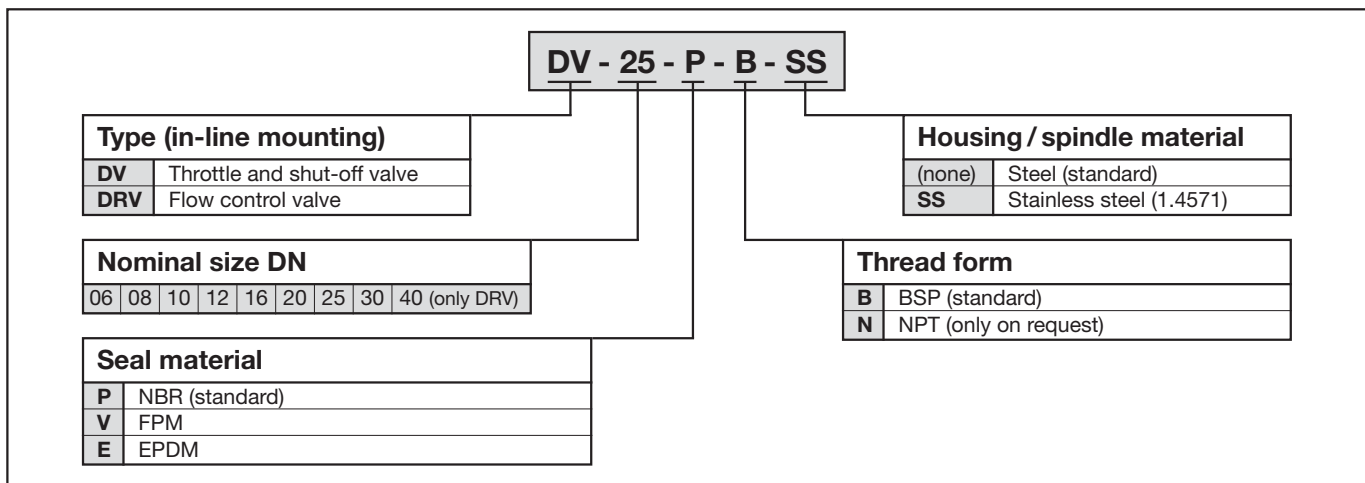
**Dimensions**



**Dimensional Table**

Nominal Size DN	G1		DV/DRV								DV			DRV		
	BSP	NPT	G2	H1	H2	H3	B1	D1	D2	S <sub>max</sub>	L1	L2	wt. (kg)	L1	L2	wt. (kg)
06	G 1/8	1/8 NPT	PG 7	68	63	18	16	24	13	3	38	19	0.12	45	26	0.13
08	G 1/4	1/4 NPT	PG 11	83.5	77.5	27	25	29	19	7	48	24	0.25	55	33.5	0.3
10	G 3/8	3/8 NPT	PG 11	90	83	32	30	29	19	7	58	29	0.4	65	41	0.45
12	G 1/2	1/2 NPT	PG 16	109.5	99.5	38.5	35	38	23	7	68	34	0.7	73	44	0.8
16	G 3/4	3/4 NPT	PG 16	128.5	118.5	48.5	45	38	23	7	78	39	1.2	88	57	1.3
20	G 1	1 NPT	PG 29	174	157	55	50	55	38	11	108	54	2.1	127	77	2.4
25	G 1 1/4	1 1/4 NPT	PG 29	184	167	65	60	55	38	11	108	54	2.8	143	93	3.5
30	G 1 1/2	1 1/2 NPT	PG 29	194	177	75	70	55	38	11	108	54	3.5	143	91	4.6
40	G 2	2 NPT	PG 29	214	197	95	90	55	38	11	-	-	-	165	111	7.7

**Ordering Code**







**Area of Application:** Fluid control and flow shut-off

- DVP: in both directions
- DRVP: in direction A-B (free flow in reverse direction)

**Characteristics/Materials:**

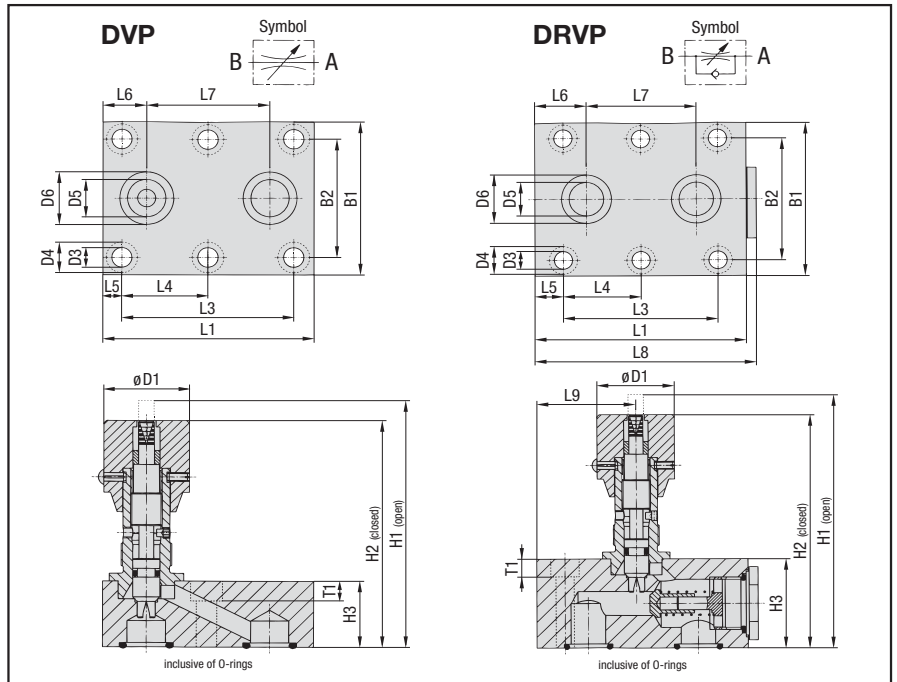
- designed for manifold mounting
- suitable for mineral oils
- Housing: Steel (1.0715), zinc-plated (Fe/Zn 8 C)
- Turning knob: Polyamide

**Please consult our office before using with other fluids, or for special stainless steel material.**

**Technical Data:**

max Working Pressure  $p_N$ : 350 bar  
Temperature  $t_{max}$ : 100°C  
Opening Pressure DRVP:  
0.5 bar (4.5 bar on request)

**Dimensions**

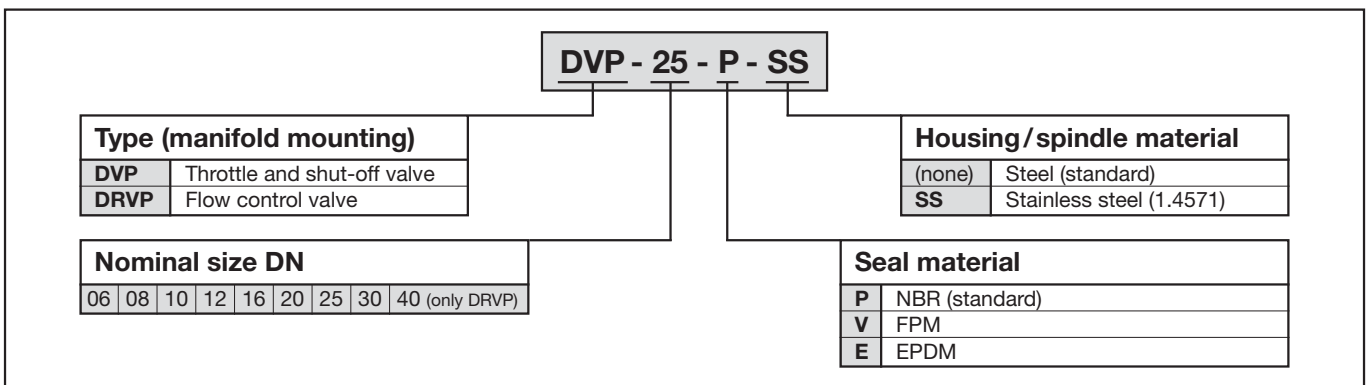


G2, D2 und S<sub>max</sub>  
see Dimensional Table DV/DRV (page 8)

**Dimensional Table**

Nom. Size DN	DVP and DRVP													DVP							DRVP							
	D1	D3	D4	D5	D6	L3	L4	L7	B1	B2	T1	O-Ring	L1	L5	L6	H1	H2	H3	wt. (kg)	L1	L5	L6	L8	L9	H1	H2	H3	wt. (kg)
06	24	6.6	11	5	9.8	19	-	16	41.5	28.5	7	6.75x1.78	35	8	9.5	68	63	16	0.2	41.5	6.4	8	43	13.5	68	63	16	0.26
08	29	6.6	11	7	12.4	35	-	25.5	46	33.5	7	8.5x2	47.5	6.5	11	79	72	20	0.4	63.5	14.2	16.7	65	31	79	72	20	0.5
10	29	6.6	11	10	15.7	33.5	-	25.5	51	38	7	12x2	51	8.5	12.7	84	78	25	0.6	70	18	22	73	29.5	84	78	25	0.8
12	38	6.6	11	13	18.7	38	-	30	57.5	44.5	7	15x2	75	18.5	22.5	100	89	25	1.0	80	21	25	84	36.5	107	96	32	1.2
16	38	8.5	13.5	17	23.9	76	38	54	70	54	9	19x2.5	93.5	8.5	19.5	113	103	30	1.5	104	14	25.4	108	49	128	118	45	2.5
20	55	8.5	13.5	22	30.5	95	47.5	57	76.5	60	9	25x3	111	8	27	169	152	45	3.4	127	16	35	131	49	174	157	50	3.9
25	55	11	18	28.5	37.5	120	60	79.5	100	76	11	32x3	143	11	32	169	152	45	5.15	165	15	35.6	169	77	179	162	55	6.7
30	55	14	20	35	43.5	143	71.5	95	115	92	13	38x3	171	15	39	174	157	50	7.5	186	15	38.8	190	85	199	182	75	11.0
40	55	14	20	47.5	57.5	133.5	67	89	140	111	13	52x3	-	-	-	-	-	-	-	192	15	40.5	196	64	224	207	100	18.8

**Ordering Code**





**Area of Application:**  
Fluid control and flow shut-off

**Characteristics/Materials:**

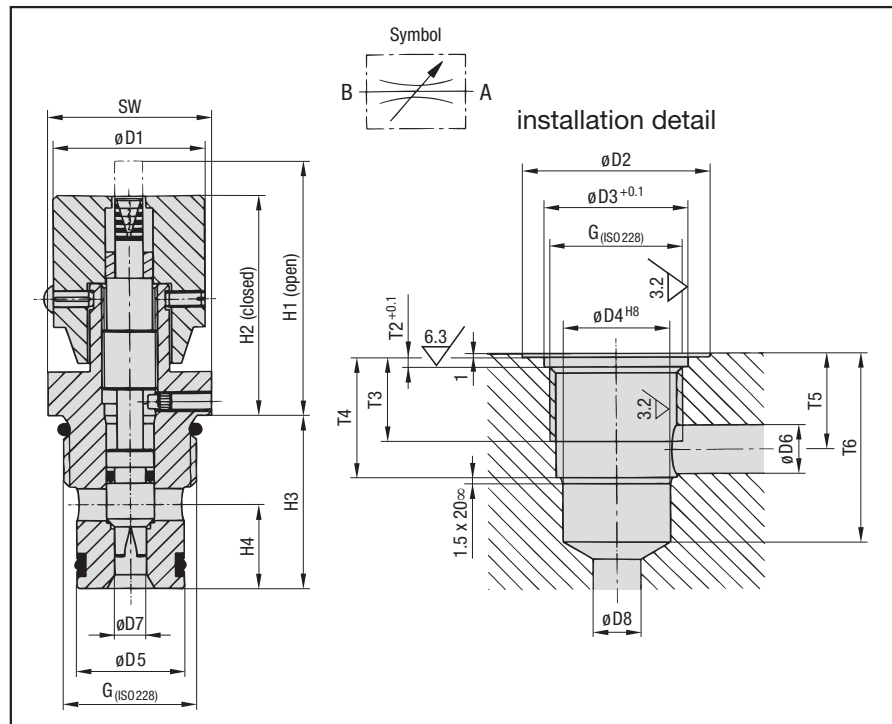
- designed for direct installation into hydraulic control blocks
- suitable for mineral oils
- Housing: Steel (1.0715), zinc-plated (Fe/Zn 8 C)
- Standard thread form: BSP; NPT on request
- Turning knob: Polyamide

**Please consult our office before using with other fluids, or for special stainless steel material and other thread forms.**

**Technical Data:**

max Working Pressure  $p_N$ : 350 bar  
Temperature  $t_{max}$ : 100°C

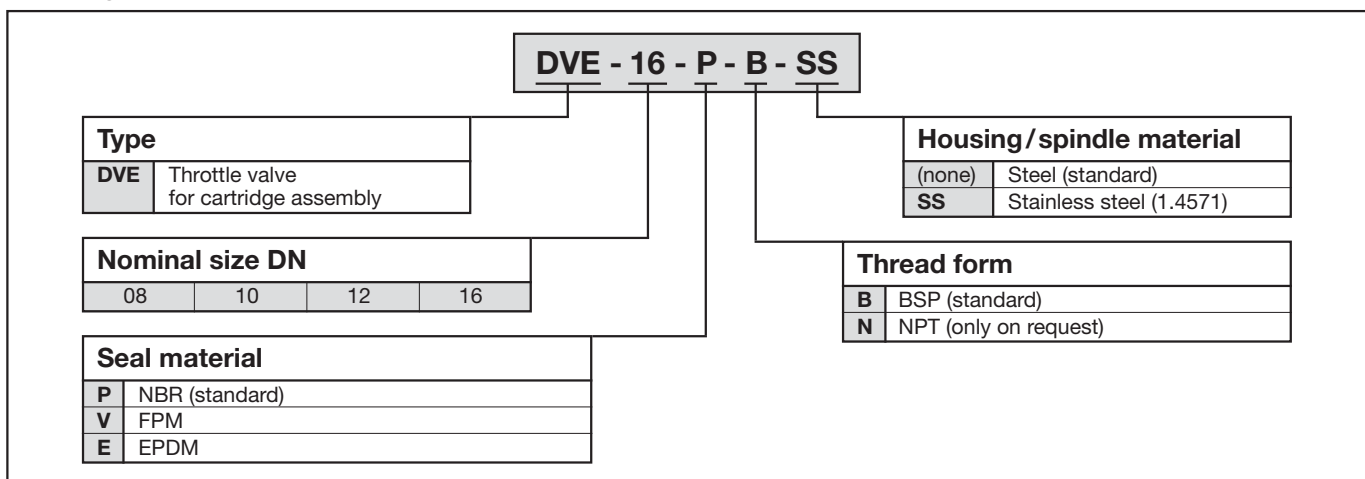
**Dimensions**

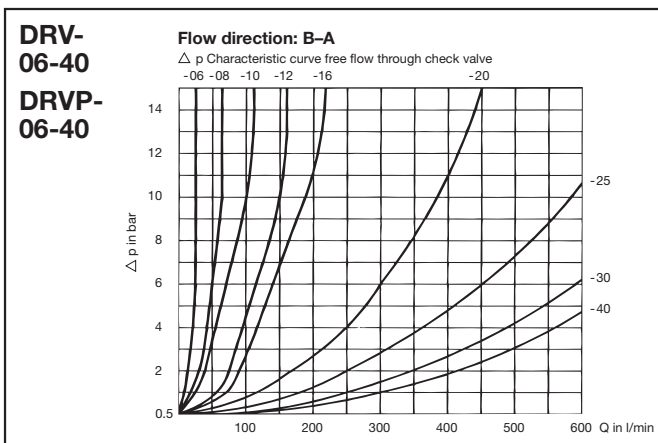
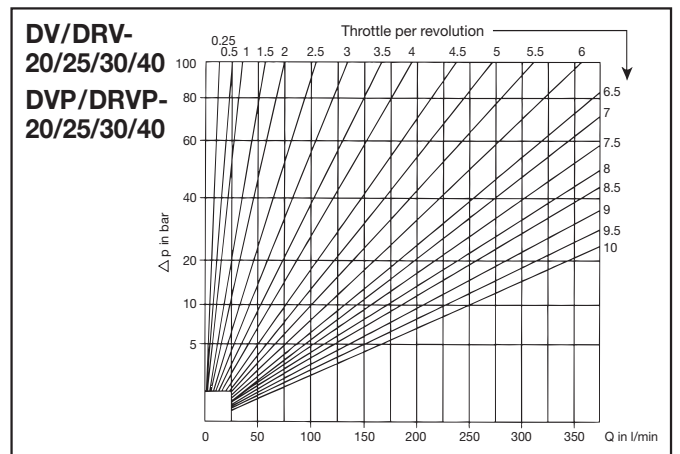
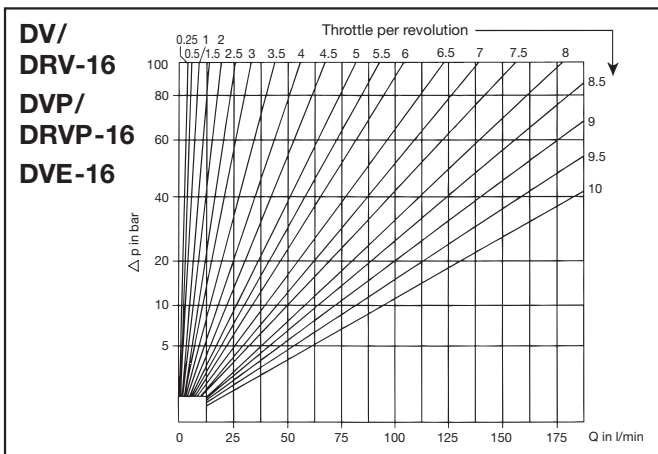
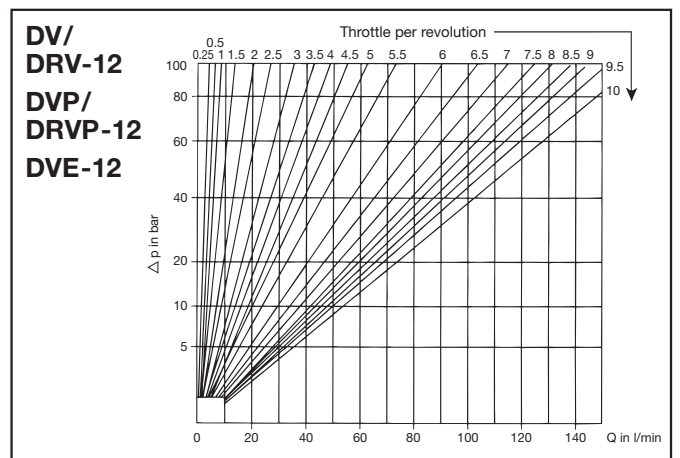
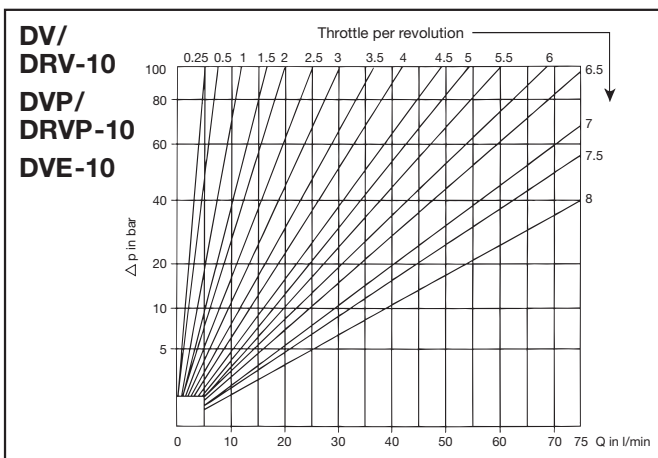
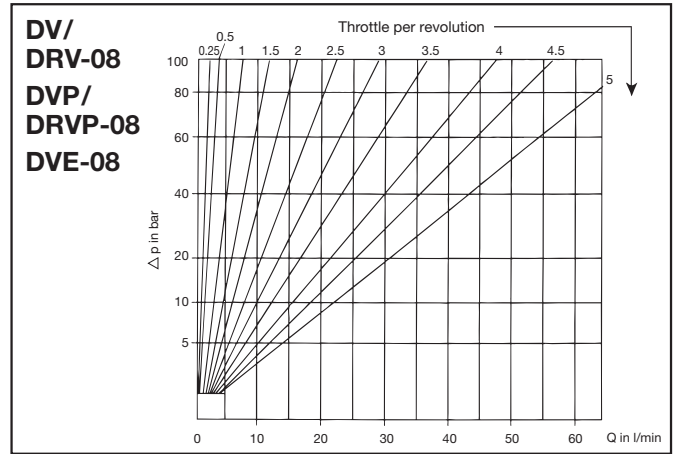
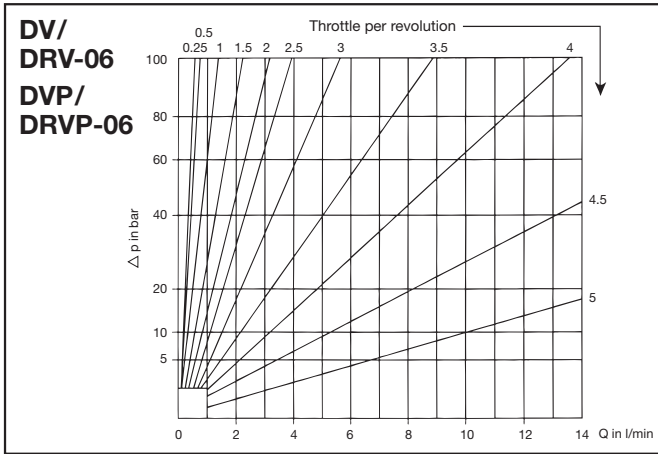


**Dimensional Table**

Nominal Size DN	G		H1	H2	H3	H4	D1	D2	D3	D4	D5	D6	D7	D8	SW	T2	T3	T4	T5	T6	Gew (kg)
	BSP	NPT																			
08	G 1/2	1/2 NPT	47	41	27.5	12	29	32	24	14	14	5	5	5	27	1.9	14	17.5	15	29	0.15
10	G 1/2	1/2 NPT	64	54	30.7	14.5	38	32	24	16	16	8	6	8	27	1.9	14	20.5	17	33	0.25
12	G 3/4	3/4 NPT	65	55	40	17.5	38	37	30	19	19	10	8	10	32	1.9	21	29	24	43	0.5
16	G 1	1 NPT	65	55	43.5	21.1	38	47	36	27	27	12	8	12	41	2.4	21	30	24	47	0.7

**Ordering Code**

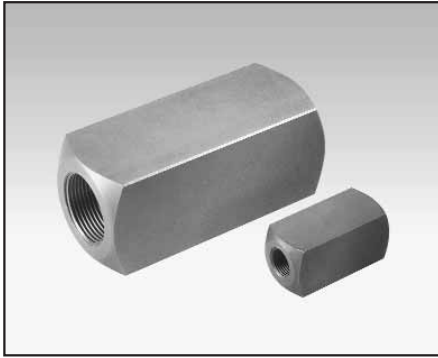




STAUFF throttle and flow control valves are designed to shut off and control the flow of liquid media. The flow rate is regulated on a direct reading device by turning the handle from completely closed to fully open and is set by screws.

The increase in flow is also indicated by a colour and number scale. This is revealed on a central spindle emerging from the turning during operation.

**The values given refer to a viscosity of 35 cSt.**



### Area of Application:

Check valves allow a single-directional flow only.

### Characteristics/Materials:

- designed for in-line mounting
- suitable for mineral oil
- Housing: Steel (1.0715), zinc-plated (Fe/Zn 8 C)
- Standard thread form: BSP; NPT on request
- metal-to-metal seals

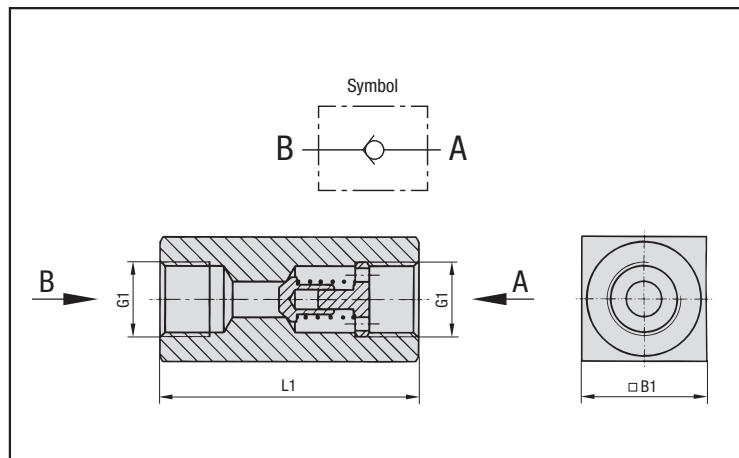
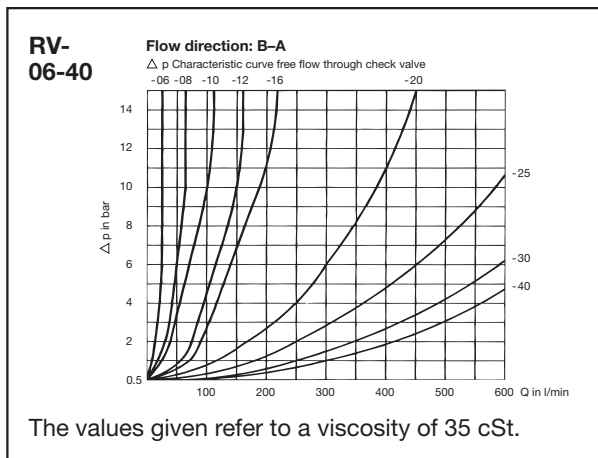
**Please consult our office before using with other fluids, or for special material and thread sizes.**

### Technical Data:

Temperature  $t_{max}$ : 100°C

Opening Pressure RV: 0.5 bar (4.5 bar on request)

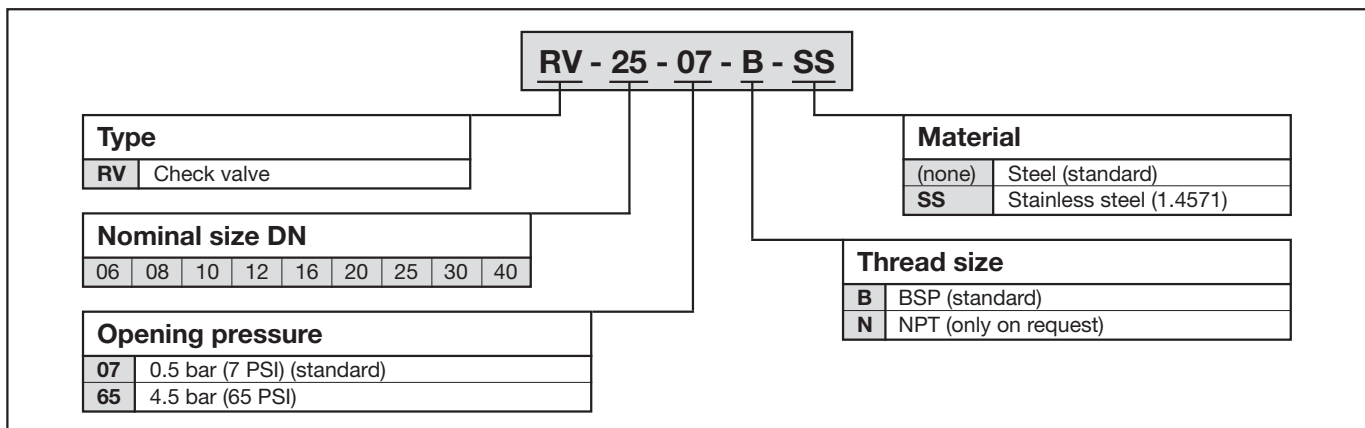
### Dimensions



### Dimensional Table

Nominal Size DN	p <sub>N</sub> (bar)	G1		L1	B1	Weight (kg)
		BSP	NPT			
06	500	G 1/8	1/8 NPT	45	16	0.1
08	500	G 1/4	1/4 NPT	55	25	0.2
10	500	G 3/8	3/8 NPT	65	30	0.4
12	500	G 1/2	1/2 NPT	73	35	0.7
16	500	G 3/4	3/4 NPT	88	45	1.2
20	500	G 1	1 NPT	127	50	2.0
25	400	G 1 1/4	1 1/4 NPT	143	60	3.3
30	315	G 1 1/2	1 1/2 NPT	143	70	4.2
40	315	G 2	2 NPT	165	90	7.2

### Ordering Code





**Area of Application:**

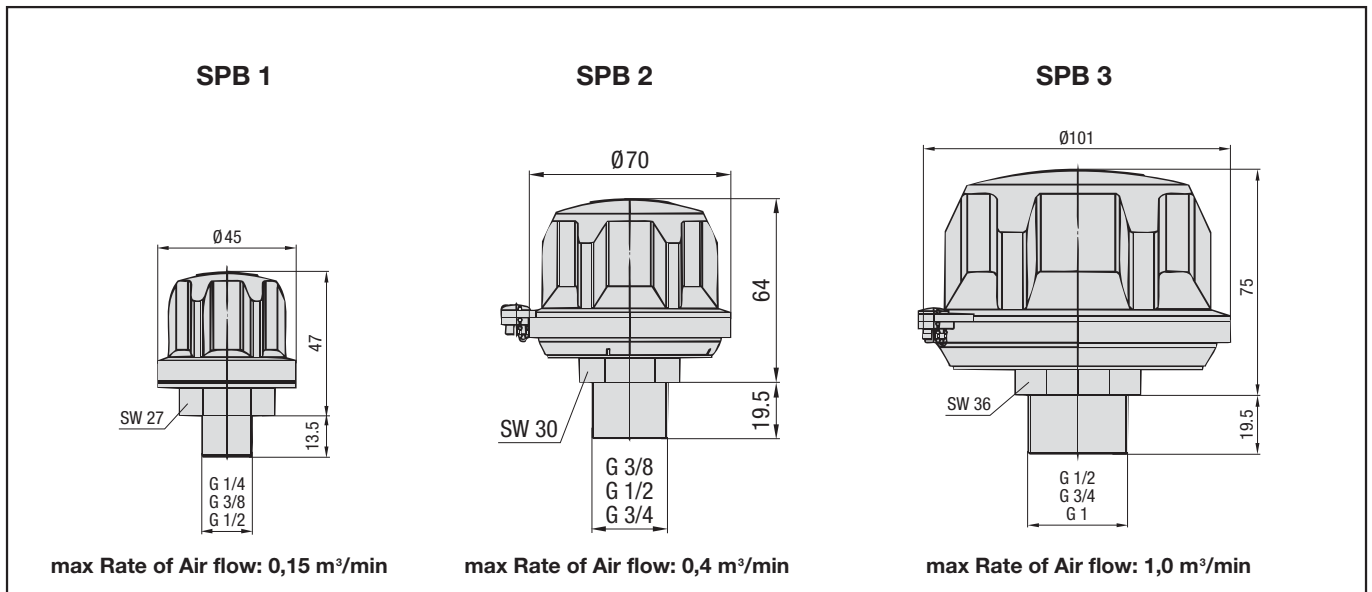
Ventilation and tank filling

**Characteristics/Materials:**

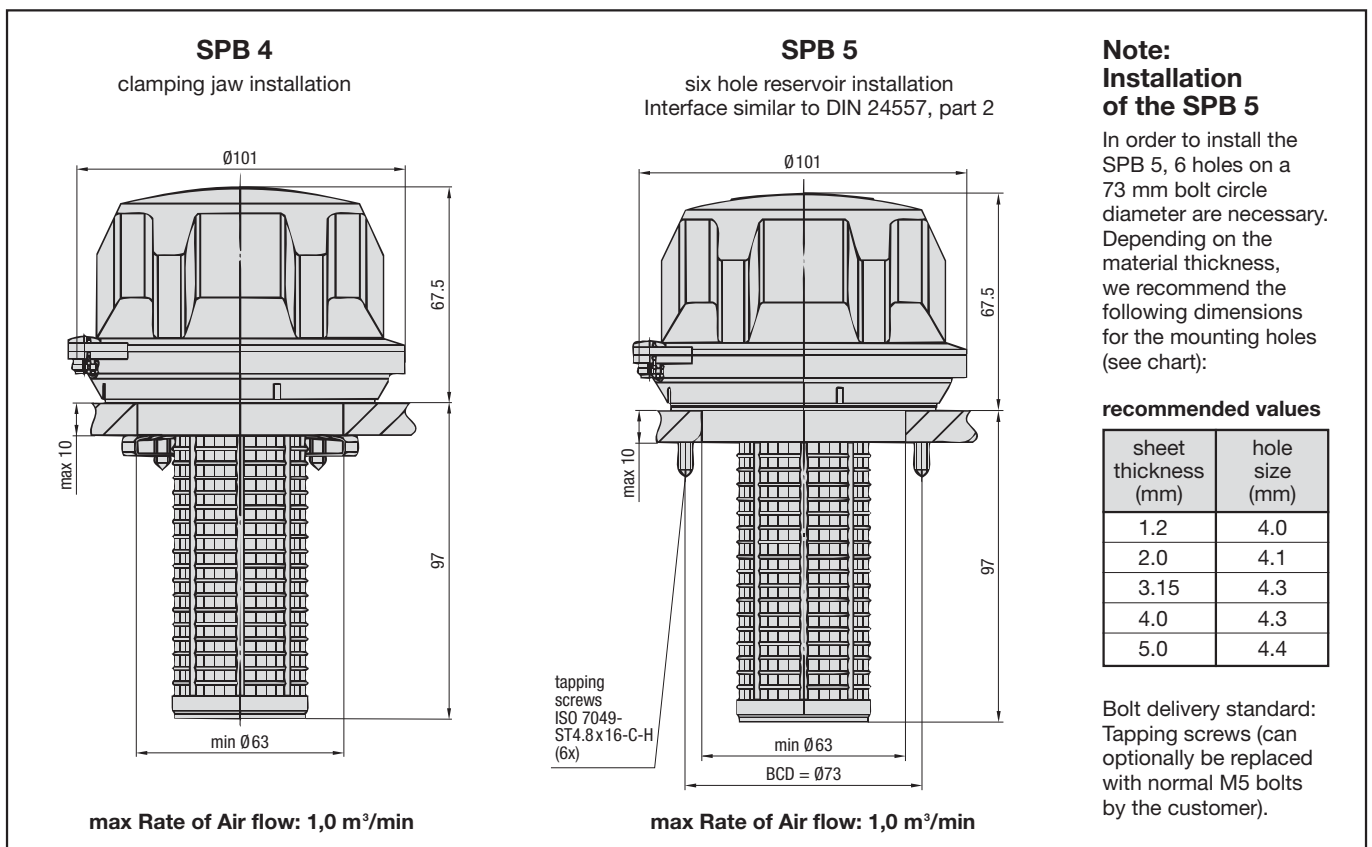
- available as screw-in or bayonet version
- non-corrosive
- Temperature range: - 40°C ... + 120°C
- Materials: glassfibre reinforced PA, basket PP
- Seals: NBR, others on request
- Air filter insert: see order table page 15

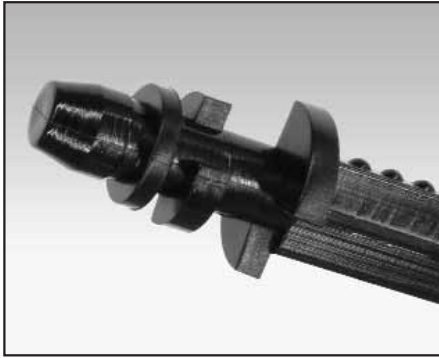
**Custom built combinations and special requirements available on request.**

**Dimensions and Styles – Screw-in versions (Breathers)**



**Dimensions and Styles – Bayonet version (Filler Breathers)**





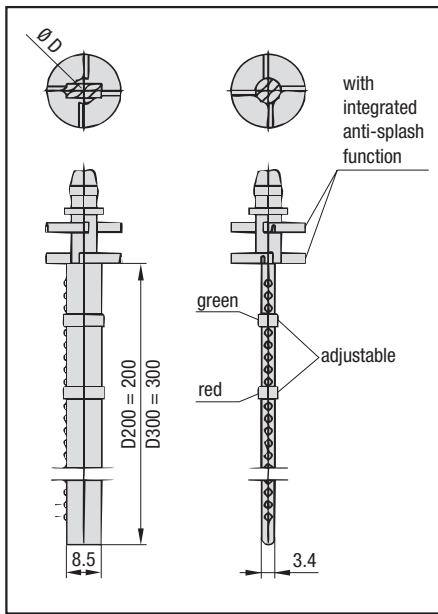
### Breather options:

- Dipsticks (material PA)
- Pressurised versions (for SPB 2 up to SPB 5)
- Baskets (for SPB 4 and SPB 5)
- Thread form NPT (for SPB 1 up to SPB 3)

**Special executions available on request.**

Photo: integrated anti-splash feature

### Dipsticks and Anti-splash feature



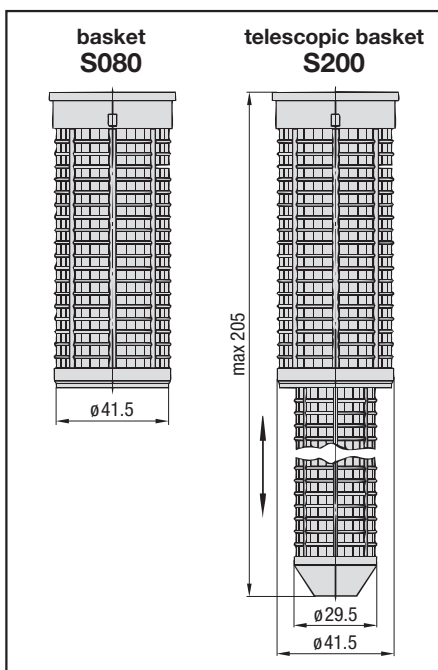
Adaptation form	for type	suitable dipstick	Dimension ØD
<b>B04</b>	SPB 1	n/a	–
<b>B06</b>	SPB 1 + 2	DS-1	10
<b>B08</b>	SPB 1 – 3	DS-2	14
<b>B12</b>	SPB 2 + 3	DS-3	18
<b>B16</b>	SPB 3	DS-3	18
<b>S080</b>	SPB 4 + 5	DS-3	18
<b>S200</b>	SPB 4 + 5	DS-3	18
<b>X</b>	SPB 4 + 5	DS-3	18

For all filler breathers SPB 1 up to SPB 5, dipsticks (material Polyamide) are available as an option. All these dipsticks have an integrated anti-splash function. This anti-splash feature protects the SPB from backspilling fluid and avoids an early air filter breakdown. For filler breathers without dipstick the anti-splash function is achieved by an integrated concave baffle. Because of its small size the anti-splash function for the size 1 can only be achieved in conjunction with a dipstick. Depending on the chosen filler breather (see table above), dipsticks are available in two standard lengths (200 mm and 300 mm). Smaller dipstick sizes can be achieved by simply cutting down its length on site, according to individual requirements.

### Pressurised versions:

Optionally all filler breathers, except size 1, are available as pressurised breathers. In order to achieve an air flow, the tank pressure has to exceed the chosen pressure setting. This feature minimizes foaming and cavitation. Available pressure settings: 0.2 bar, 0.35 bar and 0.7 bar.

### Baskets for SPB 4 and 5



For the filler breathers SPB 4 and SPB 5, 80 mm and 200 mm baskets (material Polypropylene) are available as an option. All baskets have a reinforced 0.8 x 3.5 mm mesh. With the basket S080 and the telescopic basket S200, rough dirt particles are filtered out of the medium and a smooth flow into the tank is being ensured.

## Ordering Code

**SPB - S - 2 - 10 - B12 - A - D300**

<b>Typ</b>		<b>Dipstick option</b>	
<b>SPB</b>	Plastic filler breather	(none)	without dipstick
		<b>D200</b>	dipstick 200 mm
		<b>D300</b>	dipstick 300 mm

<b>Version</b> (Pressurisation not available for SPB 1)		<b>Anti-splash option</b>	
<b>S</b>	without pressurisation (standard)	<b>A</b>	with anti-splash option (standard)
<b>P1</b>	pressurised at 0.20 bar	<b>O</b>	without anti-splash option
<b>P2</b>	pressurised at 0.35 bar		
<b>P3</b>	pressurised at 0.70 bar		

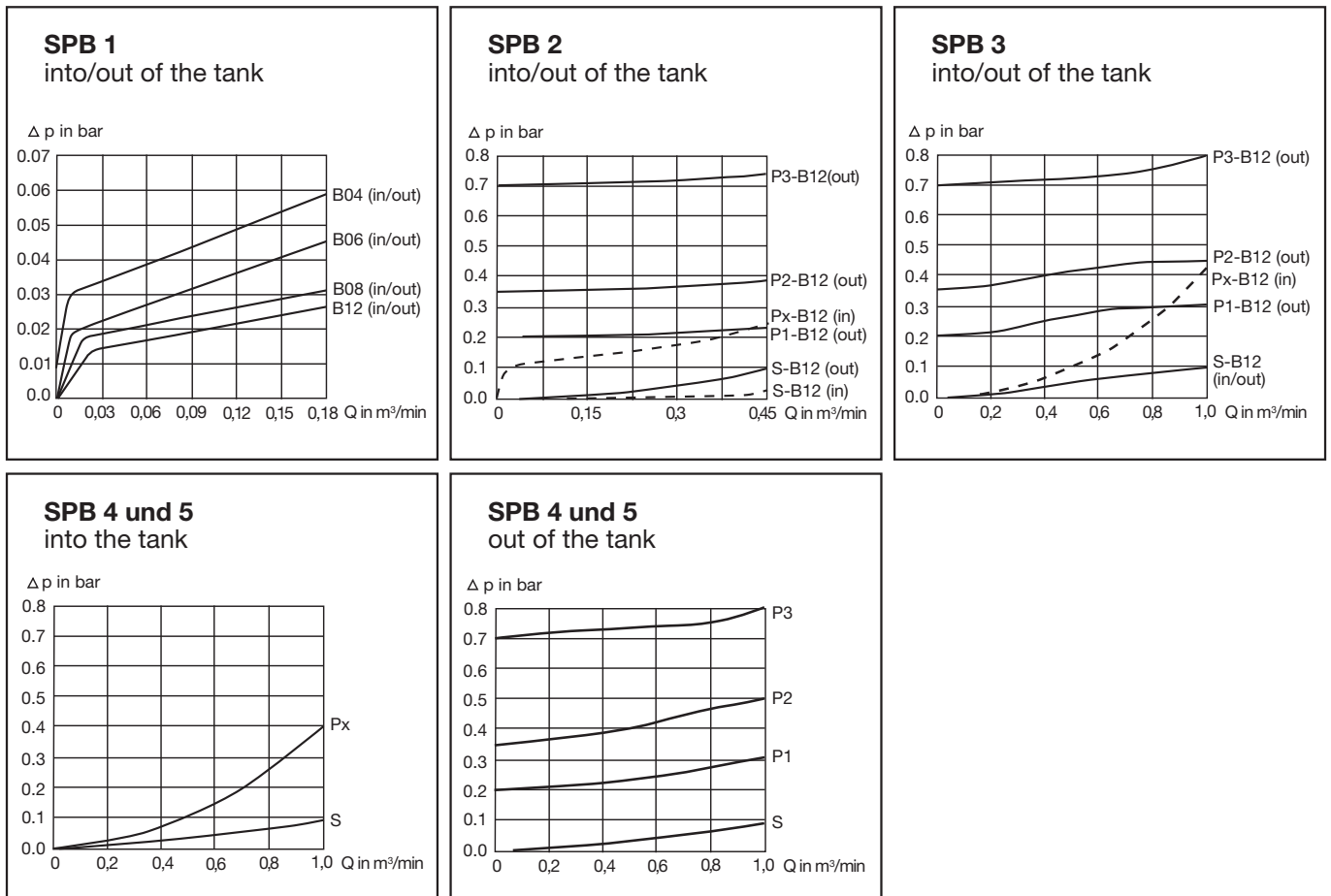
<b>Group size</b>			
size	version	cap diameter	max rate of air flow (m <sup>3</sup> /min)
1	screw-in version	45	0.15
2	screw-in version	70	0.4
3	screw-in version	101	1.0
4	single hole reservoir installation	101	1.0
5	six hole reservoir installation	101	1.0

<b>Connection</b>			
<b>B04</b>	G <sup>1</sup> / <sub>4</sub> (for SPB 1)		
<b>B06</b>	G <sup>3</sup> / <sub>8</sub> (for SPB 1 + 2)		
<b>B08</b>	G <sup>1</sup> / <sub>2</sub> (for SPB 1 – 3)		
<b>B12</b>	G <sup>3</sup> / <sub>4</sub> (for SPB 2 + 3)		
<b>B16</b>	G1 (for SPB 3)		
<b>S080</b>	basket (for SPB 4 + 5)		
<b>S200</b>	telescopic basket (for SPB 4 + 5)		
<b>X</b>	without basket (for SPB 4 + 5)		

<b>Micron rating and Filter material</b>			
code	foam (PUR)	code	Inorganic glassfiber (only SPB 3,4 and 5)
<b>10</b>	10 µm PUR (standard)	<b>E03</b>	3 µm inorganic glass fiber (pleated)
<b>40</b>	40 µm PUR (on request)		
		<b>L10</b>	10 µm filterpaper (pleated)

other micron ratings or filtermaterial on request

## Airflow plastic filler breathers SPB 1 – 5





**Area of Application:**

Ventilation and tank filling

**Characteristics/Materials:**

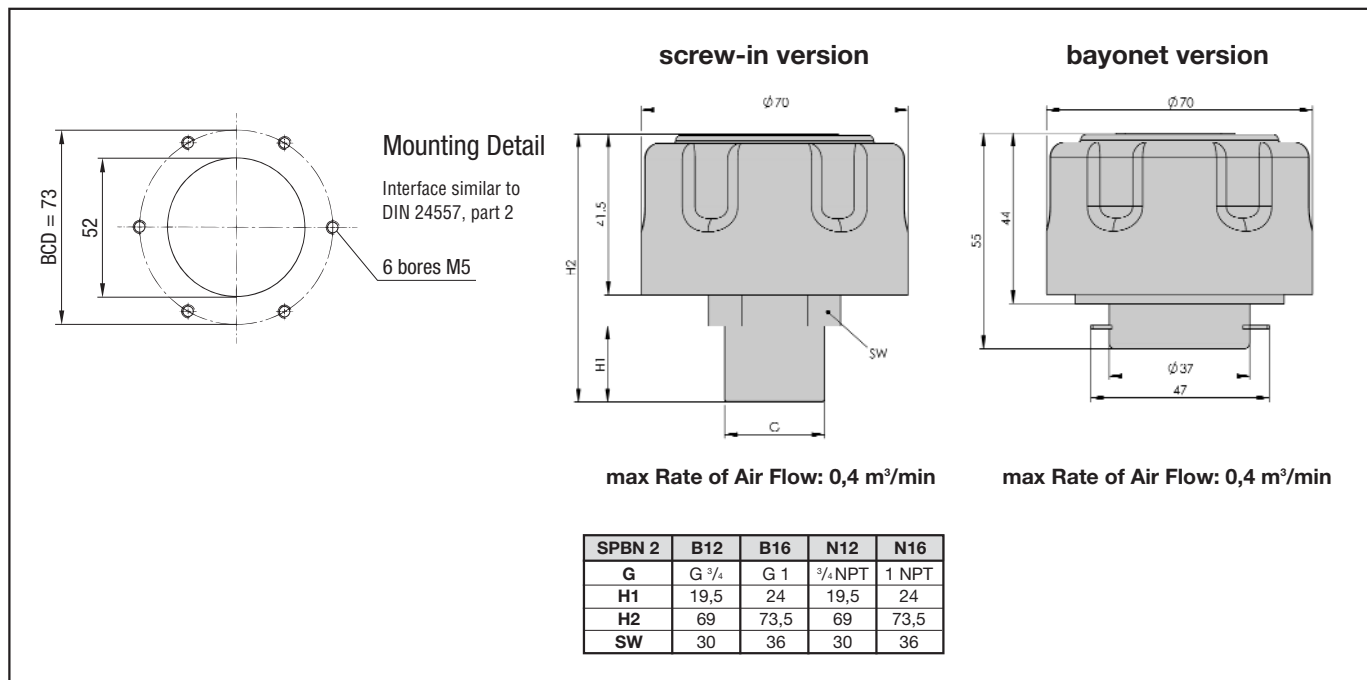
- available as screw-in or bayonet version
- non-corrosive
- Temperature range: -40°C ... +120°C
- Materials: glassfibre reinforced PA
- Seals: NBR, others on request
- Air filter insert: see order table page 17

**Options:**

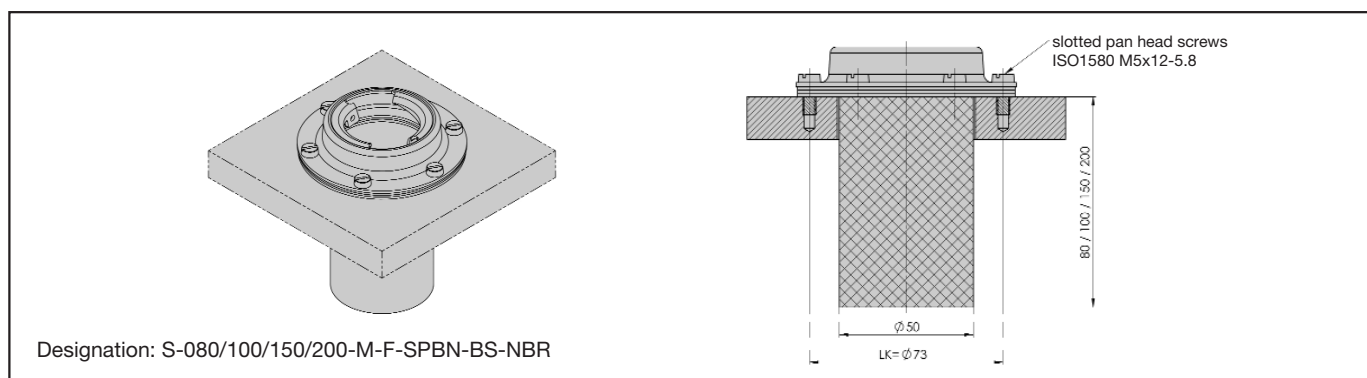
- Plastic dipsticks with integrated anti-splash function
- Metal basket (micron rating 800 µm)
- Thread style BSP and NPT available
- Pressurised at 0,20, 0,35 or 0,70 bar

**Custom built combinations and special requirements available on request.**

**Dimensions and Styles**



**Accessories: Mounting Adapter for Metal Basket**



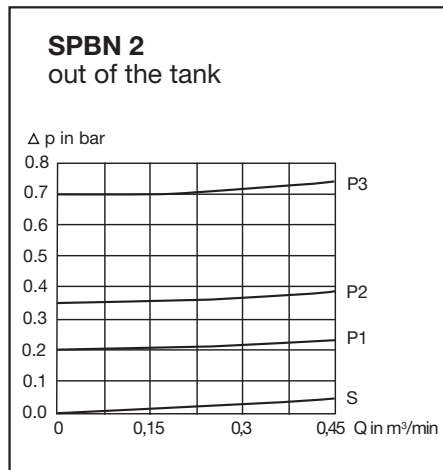
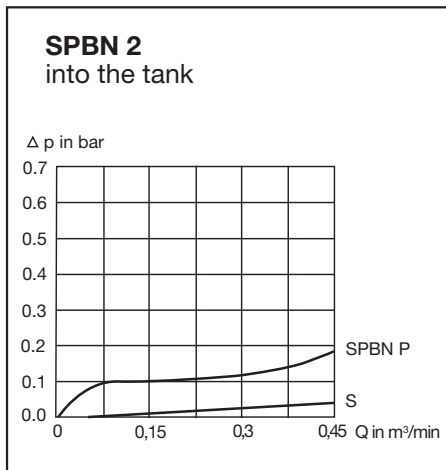


## Ordering Code

**SPBN - S - 2 - 10 - B12 - A - D300**

<b>Type</b>		<b>Dipstick option</b>	
<b>SPBN</b>	Plastic Filler Breather - Narrow Version	(none)	without dipstick
		<b>D300</b>	dipstick 300mm
		Note: The plastic dipstick can be shortened by the customer to requested lengths.	
<b>Version</b>		<b>Anti-splash option</b>	
<b>S</b>	without pressurisation (standard)	<b>A</b>	with anti-splash option (only for screw-in version)
<b>P1</b>	pressurized at 0,20 bar (3 PSI)	<b>O</b>	without anti-splash option (standard)
<b>P2</b>	pressurized at 0,35 bar (5 PSI)		
<b>P3</b>	pressurized at 0,70 bar (10 PSI)		
<b>Group size</b>		<b>Connection</b>	
size	cap diameter	max rate of air flow (m <sup>3</sup> /min)	
<b>2</b>	70	0,4	<b>B12</b> G <sup>3/4</sup> BSP
			<b>B16</b> G1 BSP
			<b>N12</b> 3/4 NPT (on request)
			<b>N16</b> 1 NPT (on request)
			<b>BS</b> Bayonet version (without accessories)
			<b>BM</b> Bayonet version (including mounting adaptor, gaskets and bolts)
			<b>S080</b> BM + 80 mm metal basket
			<b>S100</b> BM + 100 mm metal basket
			<b>S150</b> BM + 150 mm metal basket
			<b>S200</b> BM + 200 mm metal basket
<b>Micronrating and Filter Material</b>			
<b>Code</b>	<b>foam (PUR)</b>		
<b>10</b>	10 µm PUR (standard)		
<b>40</b>	40 µm PUR (standard)		

## Airflow plastic filler breathers SPBN 2





**Area of Application:**

Ventilation and tank filling

**Available Versions:**

Screw-in, bayonet and push-on style

**Materials:**

- Breather cap: steel, chrome-plated (epoxy on request)
- Socket: steel, chrome-plated
- Air filter insert: see order table on page 17
- Basket: steel, zinc-plated
- Seals: Cork, Buna-N (NBR)

**Options:**

- Metal basket (micron rating 800 µm)
- Thread style BSP and NPT available
- Pressurised at 0,35 or 0,70 bar
- Lockable
- Plastic dipsticks

Custom built combinations and specials are available on request.

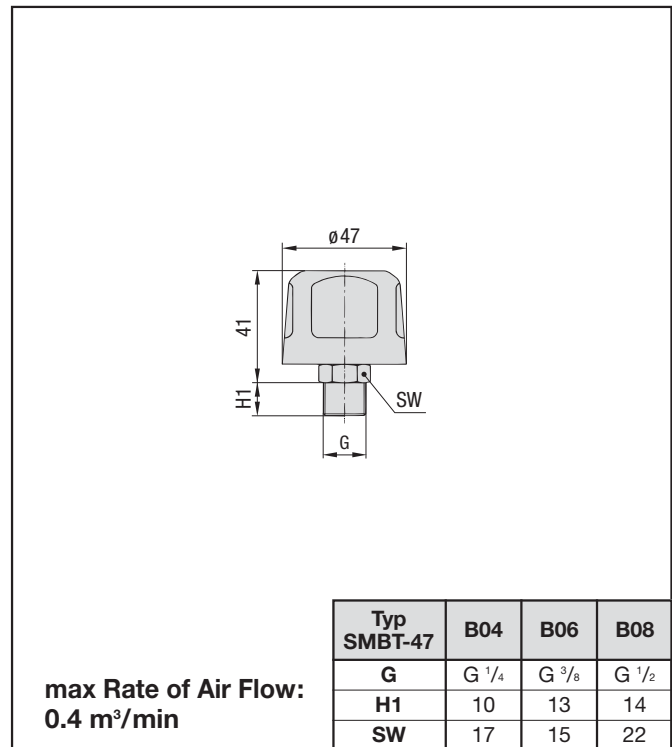
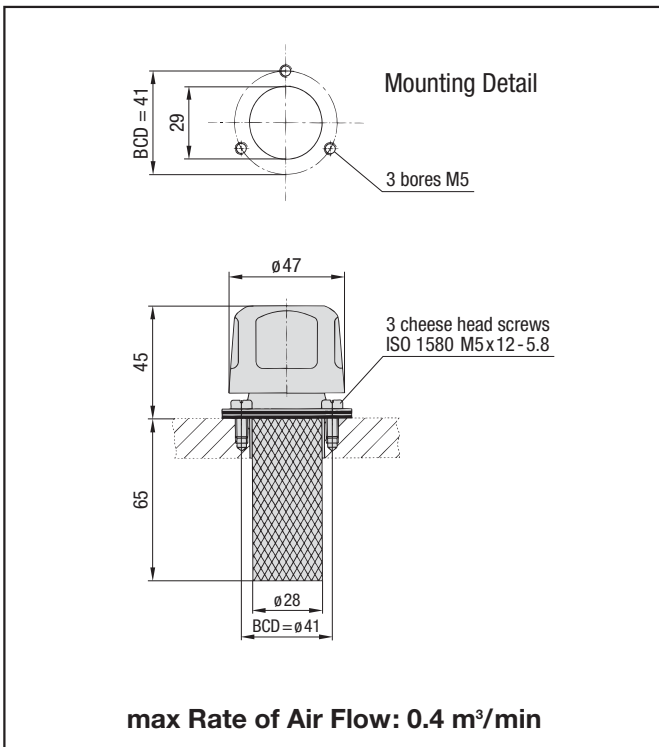
**Group size 47 – Breather cap diameter 47 mm**

**SMBB-47**

Metal Filler Breather  
Bayonet style  
Seal material: cork  
Options:  
• Metall basket

**SMBT-47**

Metal Breather  
Screw-in style  
Options:  
• BSP- or NPT-thread



Metal Filler breathers SMBB-47 and SMBT-47 are not lockable, have no pressurisation option and are not available with a dipstick. For more details see order table on page 19.

## Ordering Code (bayonet style, cap ø47)

**SMBB - 47 - S - 10 - O - C - S065 - O**

<b>Typ</b>	<b>SMBB</b> Metal Filler Breather (bayonet style)	<b>Dipstick</b>	<b>O</b> without dipstick (standard)
<b>Cap size</b>	<b>47</b> ø47, steel cap, chrome-plated (standard) <b>47E</b> ø47, steel cap, black epoxy Note: other versions on request	<b>Baskets</b>	<b>O</b> without baskets <b>S065</b> 65 mm metal basket (standard)
<b>Version</b>	<b>S</b> with STAUFF-logo (standard) <b>N</b> neutral (without logo)	<b>Seal material</b>	<b>C</b> cork
<b>Filter material and micron rating</b>	<b>00</b> without filter insert <b>03</b> 3 µm filterpaper <b>10</b> 10 µm foam (PUR, standard) <b>40</b> 40 µm foam (PUR)	<b>Pressurisation (Opening pressure)</b>	<b>O</b> without pressurisation (standard) Note: No pressurisation available for this cap diameter.

Note: Screws are supplied with the SMBB as standard

## Ordering Code (screw-in style, cap ø47)

**SMBT - 47 - S - 10 - O - B08 - O**

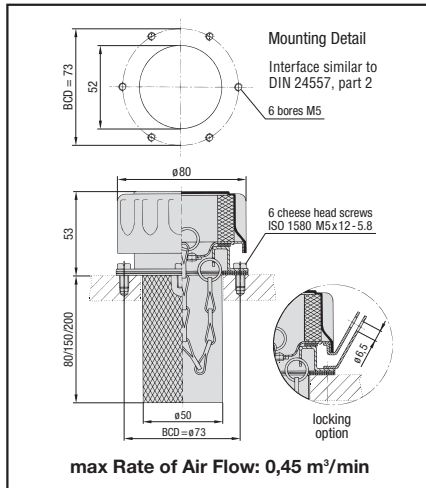
<b>Typ</b>	<b>SMBT</b> Metal Filler Breather (screw-in style)	<b>Dipstick</b>	<b>O</b> without dipstick (standard)
<b>Cap size</b>	<b>47</b> ø47, steel cap, chrome-plated (standard) <b>47E</b> ø47, steel cap, black epoxy Note: other versions on request	<b>Connection thread</b>	<b>B04</b> G 1/4 BSP <b>B06</b> G 3/8 BSP <b>B08</b> G 1/2 BSP <b>N04</b> 1/4 NPT (on request) <b>N06</b> 3/8 NPT (on request) <b>N08</b> 1/2 NPT (on request)
<b>Version</b>	<b>S</b> with STAUFF-logo (standard) <b>N</b> neutral (without logo)	<b>Pressurisation (Opening pressure)</b>	<b>O</b> without pressurisation (standard) Note: No pressurisation available for this cap diameter.
<b>Filter material and micron rating</b>	<b>00</b> without filter insert <b>03</b> 3 µm filterpaper <b>10</b> 10 µm foam (PUR, standard) <b>40</b> 40 µm foam (PUR)		

**Group size 80 – Breather cap diameter 80 mm**

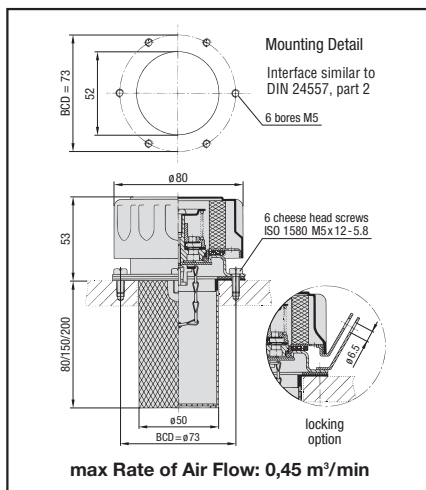
**SMBB-80**

Metal Filler Breather  
Bayonet style  
Options:

- Plastic dipstick
- Metal basket
- Lockable
- Pressurised, opening pressure (0,35 or 0,7 bar)
- Seal material: cork or NBR



without pressurisation

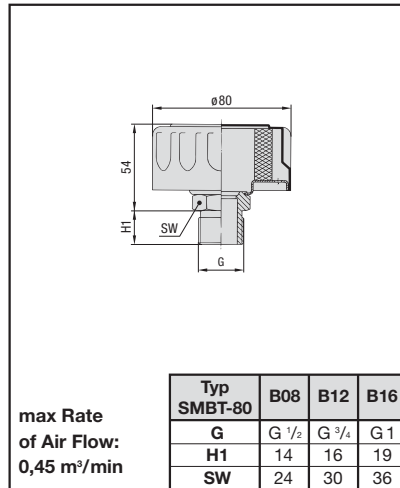


with pressurisation

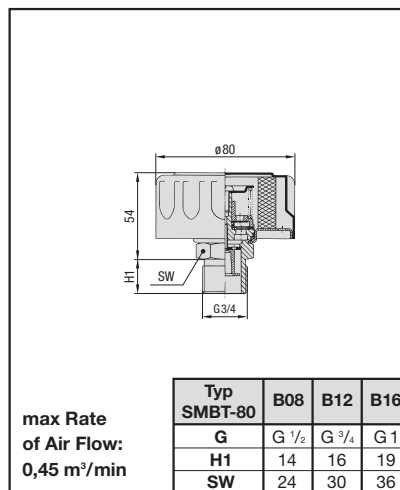
**SMT-80**

Metal Breather  
Screw-in style  
Options:

- Plastic dipstick
- BSP or NPT thread
- Pressurised, opening pressure (0,35 or 0,7 bar)



without pressurisation

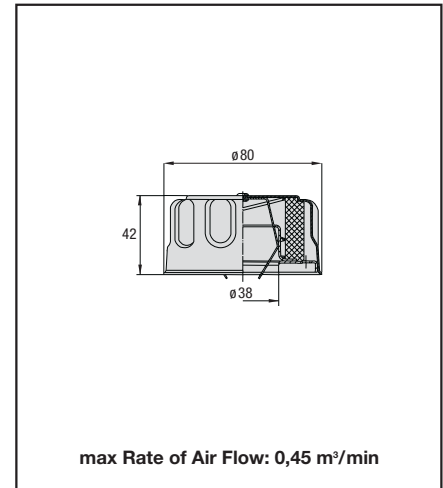


with pressurisation

**SMBP-80**

Metal Breather  
Push-on style  
Options:

- Plastic dipstick



The SMBP is only available without pressurisation

Alternative filter material and micron ratings are available on request for all sizes and versions.

For more details see order table on page 21.

## Ordering Code (bayonet style, cap ø80)

**SMBB - 80 - S - L - 10 - 05 - B - S080 - O**

<b>Typ</b>	
<b>SMBB</b>	Metal Filler Breather (bayonet style)

<b>Cap size</b>	
<b>80</b>	ø80, steel cap, chrome-plated (standard)
<b>80E</b>	ø80, steel cap, black epoxy
Note: other versions on request	

<b>Version</b>	
<b>S</b>	with STAUFF-logo (standard)
<b>N</b>	neutral (without logo)

<b>Locking option</b>	
<b>O</b>	not lockable (standard)
<b>L</b>	lockable

<b>Filter material and micron rating</b>	
<b>00</b>	without filter insert
<b>03</b>	3 µm filterpaper
<b>10</b>	10 µm foam (PUR, standard)
<b>40</b>	40 µm foam (PUR)

<b>Dipstick</b>	
<b>O</b>	without dipstick (standard)
<b>D300</b>	plastic dipstick 300 mm
Note: The plastic dipstick can be shortened by the customer to requested lengths.	

<b>Baskets</b>	
<b>O</b>	without baskets
<b>S080</b>	80 mm metal basket (standard)
<b>S100</b>	100 mm metal basket
<b>S150</b>	150 mm metal basket
<b>S200</b>	200 mm metal basket

<b>Seal material</b>	
<b>C</b>	cork (for non-pressurised version)
<b>B</b>	NBR (for pressurised version)

<b>Pressurisation (Opening pressure)</b>	
<b>O</b>	without pressurisation (standard)
<b>05</b>	0,35 bar (5 PSI)
<b>10</b>	0,70 bar (10 PSI)

Note: Screws are supplied with the SMBB as standard

## Ordering Code (screw-in style, cap ø80)

**SMBT - 80 - S - 10 - 05 - B08 - O**

<b>Typ</b>	
<b>SMBT</b>	Metal Filler Breather (screw-in style)

<b>Cap size</b>	
<b>80</b>	ø80, steel cap, chrome-plated (standard)
<b>80E</b>	ø80, steel cap, black epoxy
Note: other versions on request	

<b>Version</b>	
<b>S</b>	with STAUFF-logo (standard)
<b>N</b>	neutral (without logo)

<b>Filter material and micron rating</b>	
<b>00</b>	without filter insert
<b>03</b>	3 µm filterpaper
<b>10</b>	10 µm foam (PUR, standard)
<b>40</b>	40 µm foam (PUR)

<b>Dipstick</b>	
<b>O</b>	without dipstick (standard)
<b>D300</b>	plastic dipstick 300 mm
Note: The plastic dipstick can be shortened by the customer to requested lengths.	

<b>Connection thread</b>	
<b>B08</b>	G 1/2 BSP
<b>B12</b>	G 3/4 BSP
<b>B16</b>	G 1 BSP
<b>N08</b>	1/2 NPT (on request)
<b>N12</b>	3/4 NPT (on request)
<b>N16</b>	1 NPT (on request)

<b>Pressurisation (Opening pressure)</b>	
<b>O</b>	without pressurisation (standard)
<b>05</b>	0,35 bar (5 PSI)
<b>10</b>	0,70 bar (10 PSI)

## Ordering Code (push-on style, cap ø80)

**SMBP - 80 - S - 10 - D300**

<b>Typ</b>	
<b>SMBP</b>	Metal Filler Breather (push-on style)

<b>Cap size</b>	
<b>80</b>	ø80, steel cap, chrome-plated (standard)
<b>80E</b>	ø80, steel cap, black epoxy
Note: other versions on request	

<b>Version</b>	
<b>S</b>	with STAUFF-logo (standard)
<b>N</b>	neutral (without logo)

<b>Dipstick</b>	
<b>O</b>	without dipstick (standard)
<b>D300</b>	plastic dipstick 300 mm
Note: The plastic dipstick can be shortened by the customer to requested lengths.	

<b>Filter material and micron rating</b>	
<b>00</b>	without filter insert
<b>10</b>	10 µm foam (PUR, standard)
<b>40</b>	40 µm foam (PUR)



### Area of Application:

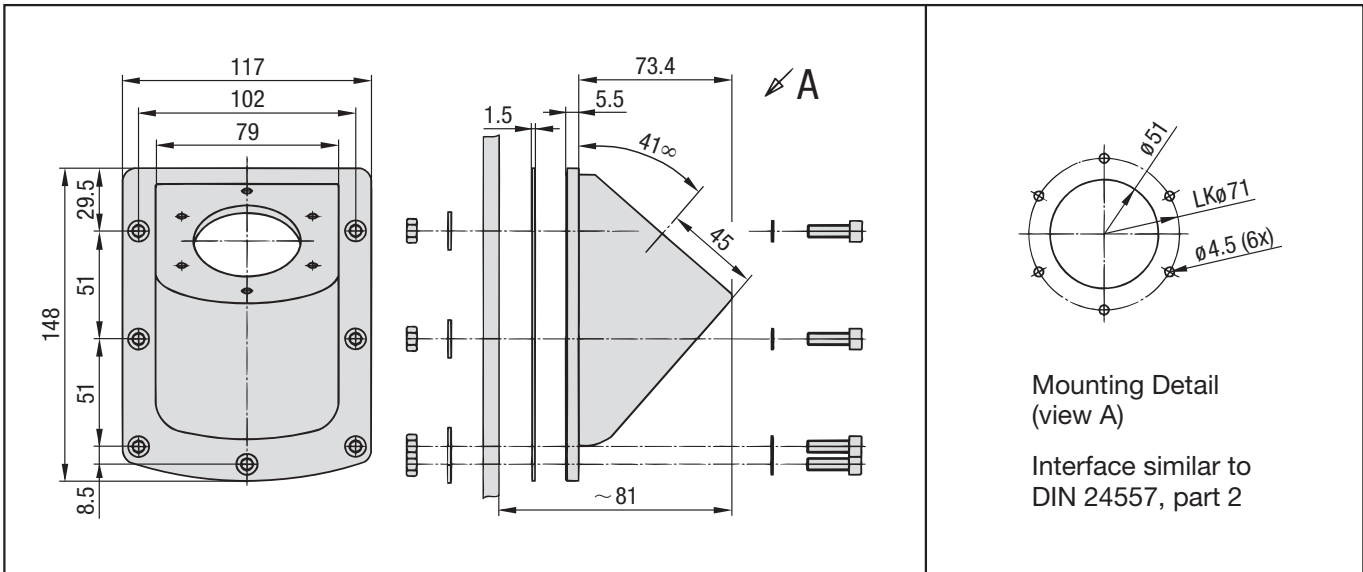
Lateral fastening of filler breathers with flange connection (suitable for SMBB-80, SPB 5 and SPBN 2)

### Materials:

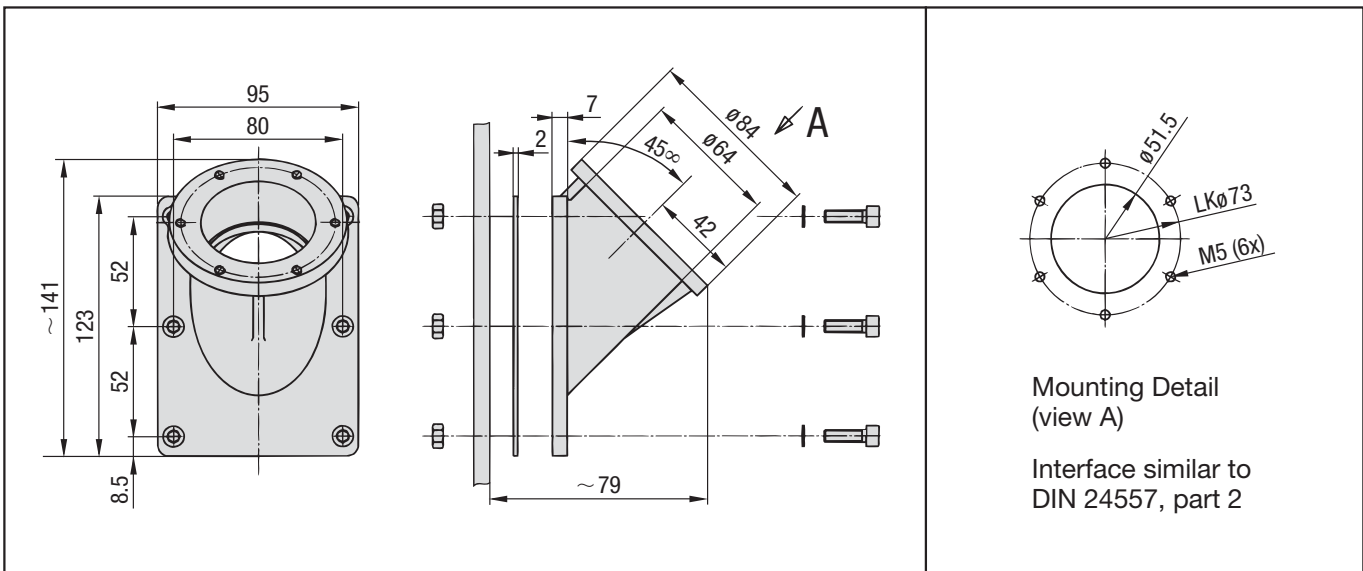
	<b>SMBB-ASMB-1</b>	<b>SMBB-ASMB-2</b>
• Housing:	Polyamide	Aluminium
• Seals:	Klingerit	Klingerit
• Screws:	Steel, zinc-plated M6 x 25 ISO 4762	Steel, zinc-plated M6 x 25 ISO 4762
• Nuts:	Steel, zinc-plated M6 ISO 4032	Steel, zinc-plated M6 ISO 4032
• Washers:	Steel, zinc-plated	Steel, zinc-plated
• Mounting screws:	Steel, zinc-plated 4.8x13 ISO 7049	

Seals, screws, washers and nuts are supplied with the SES-ASMB as standard

### Dimensions SMBB-ASMB-1



### Dimensions SMBB-ASMB-2



### Ordering Code

<b>SMBB-ASMB-1</b>	
<b>Type</b>	<b>Version</b>
<b>SMBB-ASMB</b> Angled side Mounting Bracket for SMBB-80 and SPB 5	<b>1</b> Housing Polyamide
	<b>2</b> Housing Aluminium



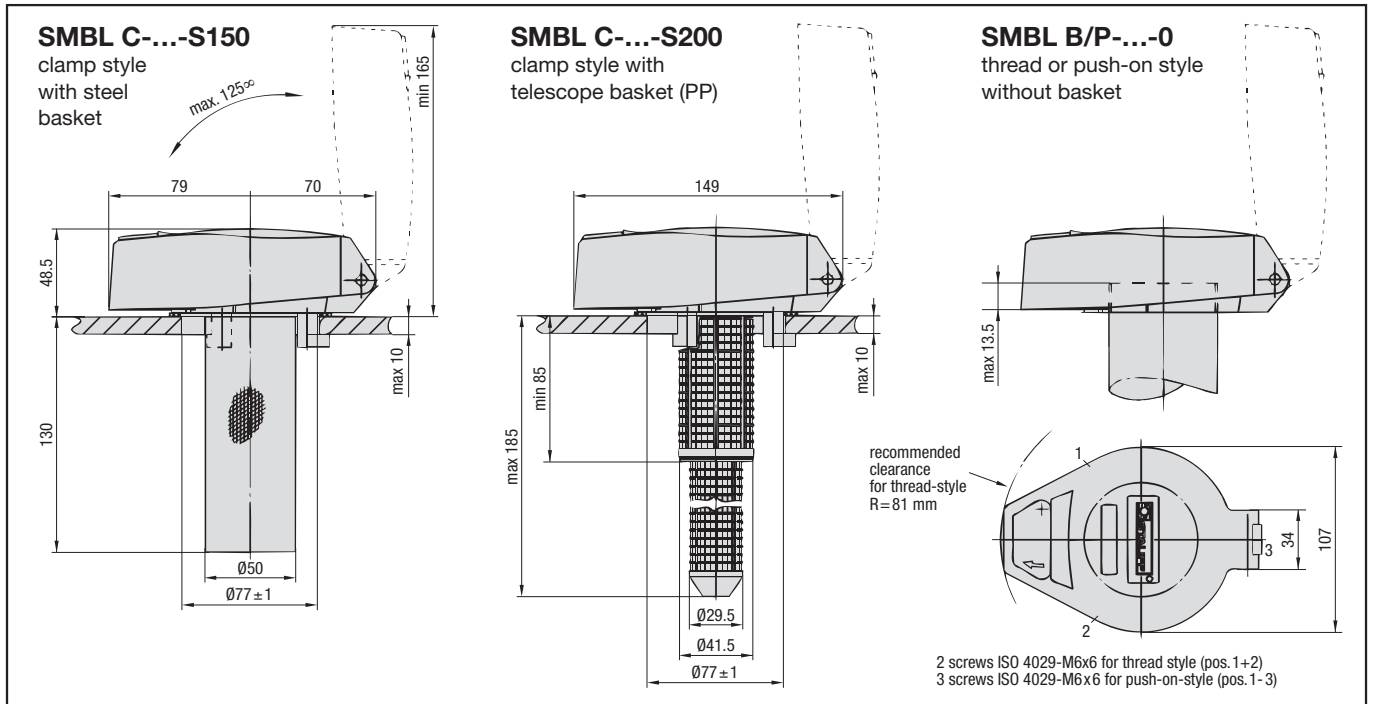
**Area of Application:**

Ventilation and tank filling

**Characteristics/Materials:**

- available as thread-style, clamping style and push-on-style
- key-lockable
- Temperature range: - 30°C ... + 100°C
- Materials:
  - Body: die casted Aluminium
  - Baskets: zinc-plated steel or Polypropylene (see ordering code)
  - Seals: NBR, others on request
  - Air filter insert: 10 µm (standard) and 40 µm foam (PUR), others on request
- Including two keys

**Dimension**



**Ordering Code**

**SMBL C - 10 - 1 - S150 - B - O**

<b>Type</b>		<b>Metal cap design</b>	
SMBL	Filler Breather (lockable)	O	lacquered (light grey) RAL 9022 (standard)
<b>Connection</b>		<b>Seal material</b>	
B32	G2 (thread style)	B	NBR (standard)
B40	G2½ (thread style)	V	FPM
C	clamping style	<b>Baskets</b>	
P	push-on-style	O	no basket
<b>Micron rating</b>		S080	plastic basket 80 mm (see page 14)
00	without air filter	S150	steel basket 150 mm (standard)
10	10 micron PUR (standard) air filter	S200	plastic basket 200 mm (see page 14)
40	40 micron PUR air filter	Note: baskets from the SMBB-series cannot be used in conjunction with the SMBL breather type	
<b>Style (Air flow)</b>			
1	air flow in both directions (standard)		
2	no air flow		
3	air flow only into the tank		



**Area of Application:**

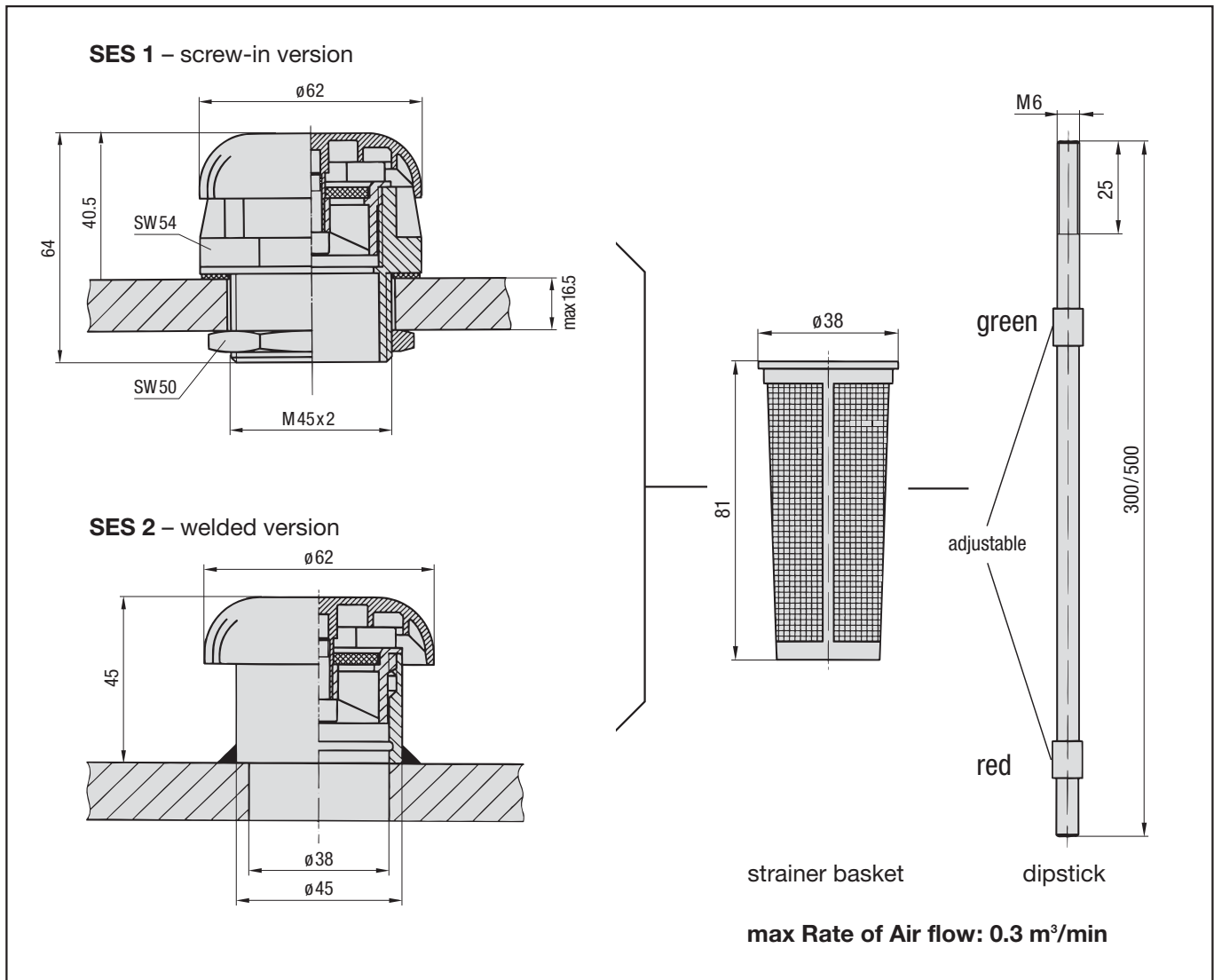
Ventilation and tank filling

**Materials:**

- Breather cap: PA
- Plastic stud: PA
- Socket: Steel (1.0718)
- Nut: Steel (1.0718); PA available on request
- Air filter insert: Sintered bronze; Rating 45 µm
- Basket: PA; micron rating 300 µm
- Dipstick: Steel (1.0718)
- Seals: NBR

**Combinations with basket or dipstick.**

**Dimensions**



**Ordering Code**

<b>SES 1 - M300</b>	
<b>Type</b>	<b>Accessories</b>
SES   Filler Breather	(none)   no accessory
<b>Execution</b>	S   Basket, 81 mm
1   screw-in version	M300   Dipstick, 300 mm
2   welded version	M500   Dipstick, 500 mm





**Area of Application:**

Tank ventilation

**Characteristics:**

- Standard micron rating: 3 µm glass fibre
- Rate of air flow  
 SGB-090: 0.7 m<sup>3</sup>/min.  
 SGB-120: 1.5 m<sup>3</sup>/min.
- Adaptors\*  
 TBA-075-B for SGB-090  
 TBA-125-B for SGB-120

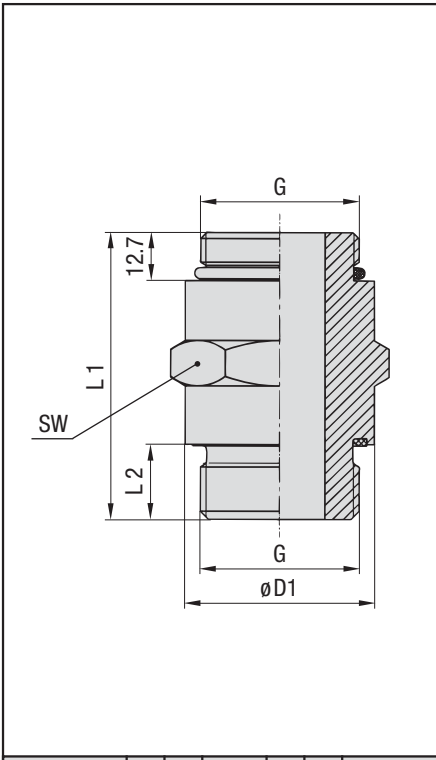
Also, SGB are designed to be used as air filters for STAUFF desiccant breathers (see pages 26 and 27).

**Dimensions SGB**

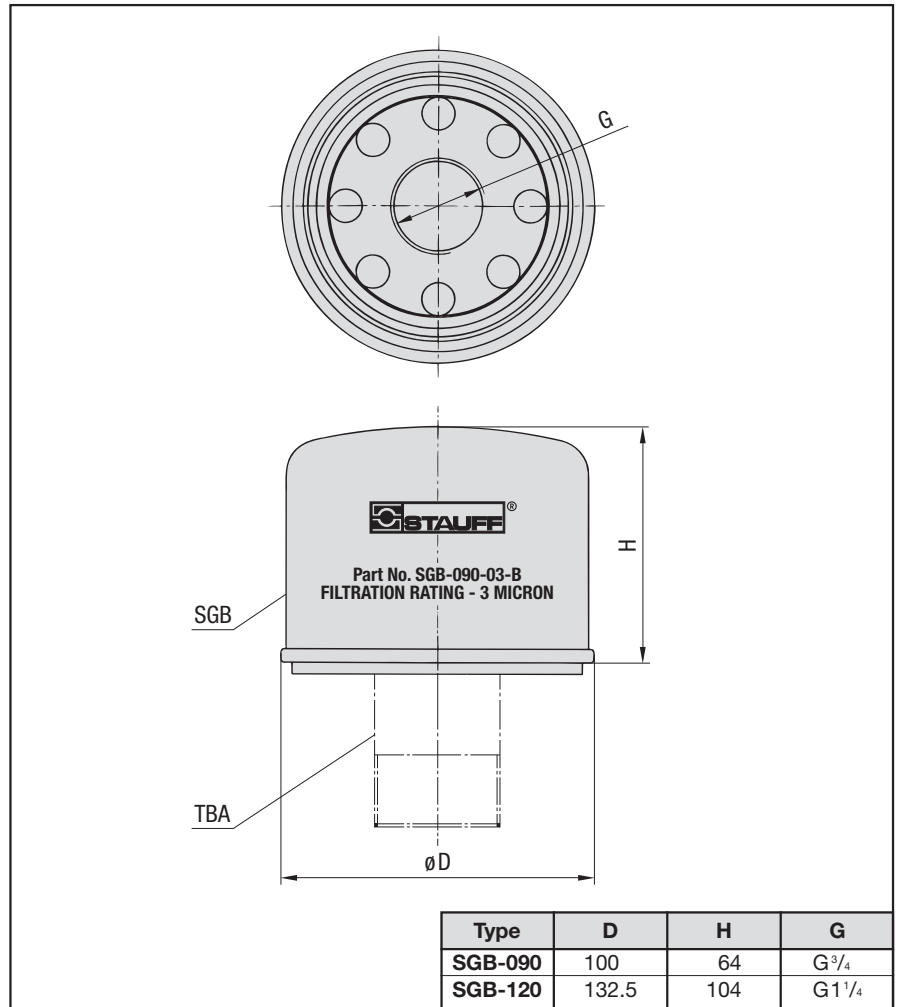
**\* Adaptors**

On request, screw-in adaptors for giant breathers SGB-090 and SGB-120 are available in combination with giant air breathers.

**Dimensions TBA**



Type	L1	L2	G	D1	SW	O-Ring
TBA-075-B	57	16	G <sup>3</sup> / <sub>4</sub>	32	32	ø23.5x3
TBA-125-B	76	20	G1 <sup>1</sup> / <sub>4</sub>	50	50	ø38.5x3



Type	D	H	G
SGB-090	100	64	G <sup>3</sup> / <sub>4</sub>
SGB-120	132.5	104	G1 <sup>1</sup> / <sub>4</sub>

**Ordering Code**

**SGB - 090 - 03 - B - A**

<b>Type</b>	<b>Adaptor option</b>	
SGB Giant air breather	(none) without adaptor	
	A with adaptor TBA	
<b>Version</b>	<b>Thread form</b>	
090 SGB-090	B BSP	
120 SGB-120		
	<b>Micron rating</b>	
	03 3 µm (standard)	



### Area of Application:

Ventilation of the tank with moisture absorption and air filtration.

### Characteristics:

- available in 4 executions
- temperature range: max 70°C
- refillable with drying agent (available separately)
- can be delivered complete with adaptor plates and contamination indicator
- replacement air filter insert SGB separately available (see page 25)

**Easy hygroscopic indication is possible with the drying agent's capability to change colours with increasing moisture.**

### Functions:

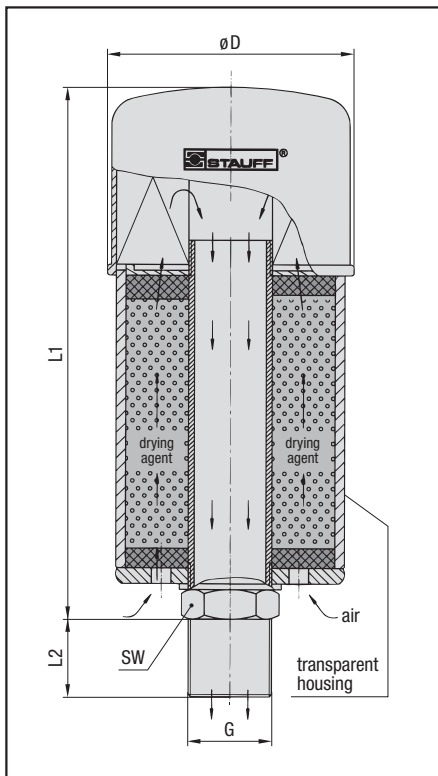
First, the moisture in the incoming air is absorbed when passing through the drying agent. After passing through the drying agent the dirt particles are caught in the air filter element. With the moisture absorbed, the oxidation process in the hydraulic system will be decreased and the life of the oil and the machine will be extended.

### Hygroscopic indication:

As moisture is absorbed, the drying agent granules will gradually change colour from red to orange. An optional indicator also shows the remaining capacity of the air filter element. When the granules change colour to orange, change them.

### Note:

At the bottom, desiccant air breathers are sealed with a foil or plastic plugs. These have to be removed before installation!

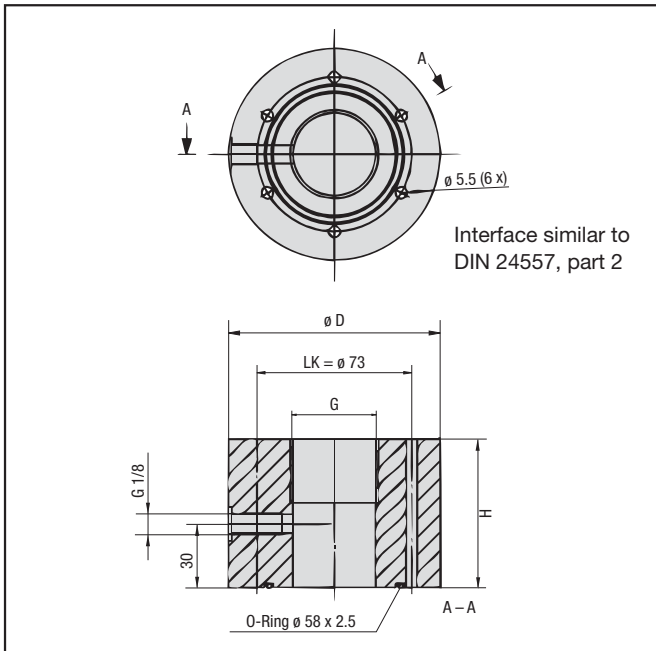


**Desiccant air breathers SDB do not contain any dangerous substances according to EC Council directive 88/379/EEC.**

## Dimensions and Technical Data

	SDB-093	SDB-096	SDB-121	SDB-122
D	100	100	123,5	123,5
L1	160	220	256	366
L2	20	20	min 25	min 25
G	G <sup>3/4</sup>	G <sup>3/4</sup>	G 1 <sup>1/4</sup>	G 1 <sup>1/4</sup>
SW	32	32	50	50
max. Rate of air flow (m <sup>3</sup> /min)	0,7	0,7	1,5	1,5
Air filter micron rating (µm)	3	3	3	3
Weight of complete breather (g)	1200	1500	2700	4000
Volume drying agent (cm <sup>3</sup> )	300	600	1000	2000
Drying agent filling weight (g)	225	450	750	1500
max hygroscopicity (g)	86	172	288	576

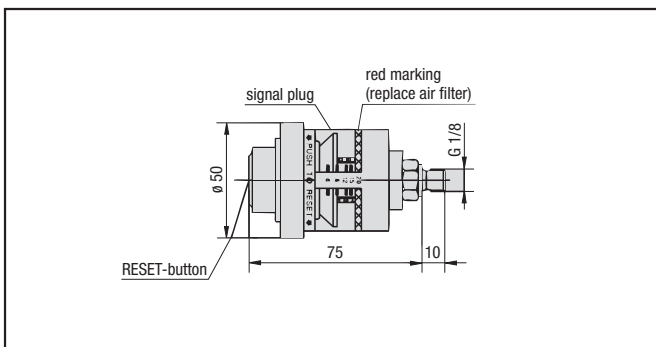
## Adaptor Plates AP (only SDB)



**Adaptor Plates AP:** With AP plastic adaptor plates desiccant air breathers type SDB can directly be mounted to existing connections. Adaptor plates AP are provided with a thread connection for the optical contamination indicator FM. Plug, O-ring and socket cap screws (ISO 4762) are supplied with AP as a standard.

	AP-1	AP-2
<b>D</b>	88	100
<b>H</b>	50	70
<b>G</b>	G <sup>3/4</sup>	G <sup>1/4</sup>

## Contamination Indicator FM



**Contamination Indicator FM:** The FM indicates the contamination level of the air breathers SGB. You can restore the indicator by pressing the RESET knob for re-use.

## Ordering Code

**SDB - 122 - AP - FM**

<b>Typ</b>	SDB Desiccant air breather		<b>Spare parts</b>	AP-1	adaptor plate for SDB-093/096
<b>Size</b>			AP-2	adaptor plate for SDB-121/122	
093	hygroscopicity 86g ø100 mm		FM	contamination indicator for all sizes	
096	hygroscopicity 172g ø100 mm		RD-093	Drying agent refilling material for SDB-093	
121	hygroscopicity 288g ø123,5 mm		RD-096	Drying agent refilling material for SDB-096	
122	hygroscopicity 576g ø123,5 mm		RD-121	Drying agent refilling material for SDB-121	
<b>Adaptor plate</b>			RD-122	Drying agent refilling material for SDB-122	
(none)	without adaptor or adaptor plate		SGB-090-03-B	Replacement air filter insert for SDB-093/096	
AP	with adaptor plate		SGB-120-03-B	for SDB-093/096 for SDB-121/122	
<b>Contamination indicator</b> (in conjunction with AP only)					
(none)	without contamination indicator				
FM	optical contamination indicator				





### Area of Application:

Foaming and noise reduction in tanks

### Characteristics:

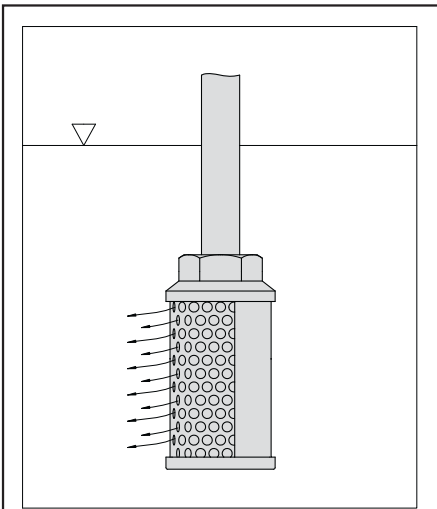
- suitable for mineral oil
- reduce fluid aeration
- silencing
- standard thread form: BSP
- consist of two concentric tubes with discharge holes

**STAUFF-Diffusers SRV are available with NPT threads on request.**

### Technical Data

Temperature range: -20°C ... +100°C  
 Flow range: 950 l/min max  
 Connection thread sizes: G<sup>3/4</sup> – G3  
 End cap material: Aluminium  
 Body material: Steel, zinc-plated

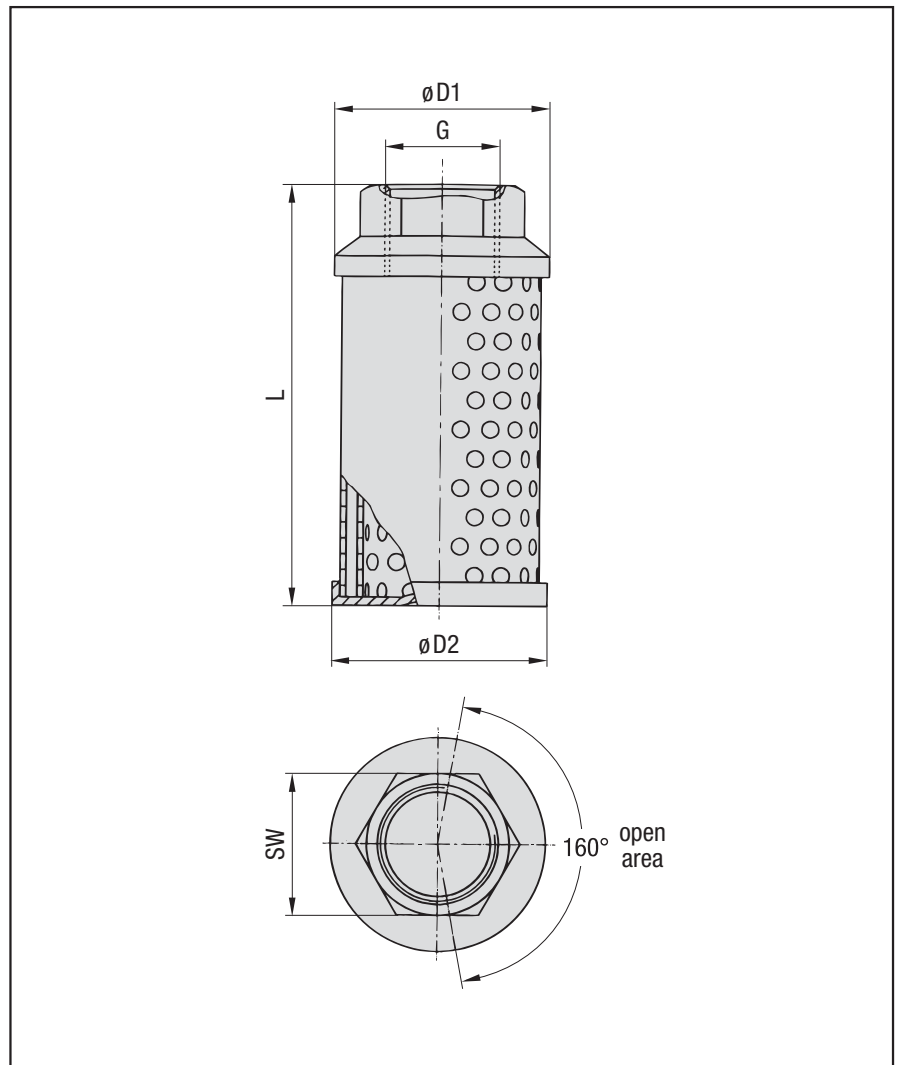
### Example of Application SRV



### Note

SRV must be completely installed below the liquid level. Its plain area on the outside must be facing the pump inlet.

### Dimensions



### Ordering Code and Dimensional Table

Type	Q max	G	L	D1	D2	SW
SRV-050-B12	50 l/min	G <sup>3/4</sup>	109	64	60	36
SRV-114-B16	114 l/min	G1	139	64	60	46
SRV-200-B20	200 l/min	G1 <sup>1/4</sup>	139	86	82	60
SRV-227-B24	227 l/min	G1 <sup>1/2</sup>	200	86	82	60
SRV-454-B32	454 l/min	G2	260	86	82	70
SRV-650-B40	650 l/min	G2 <sup>1/2</sup>	211	150	145	90
SRV-950-B48	950 l/min	G3	272	150	145	100



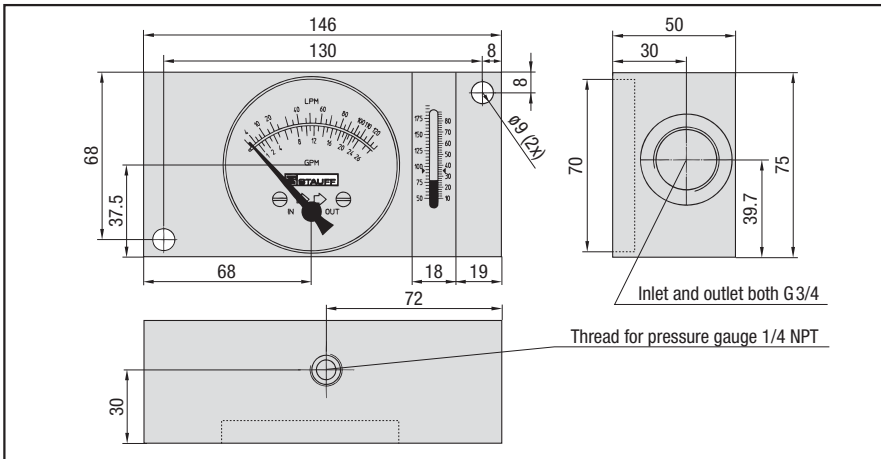
### Area of Application:

Flow, pressure and temperature measuring of fluids (mobile and industrial hydraulics), also controlling of working pressure (only SDMK)

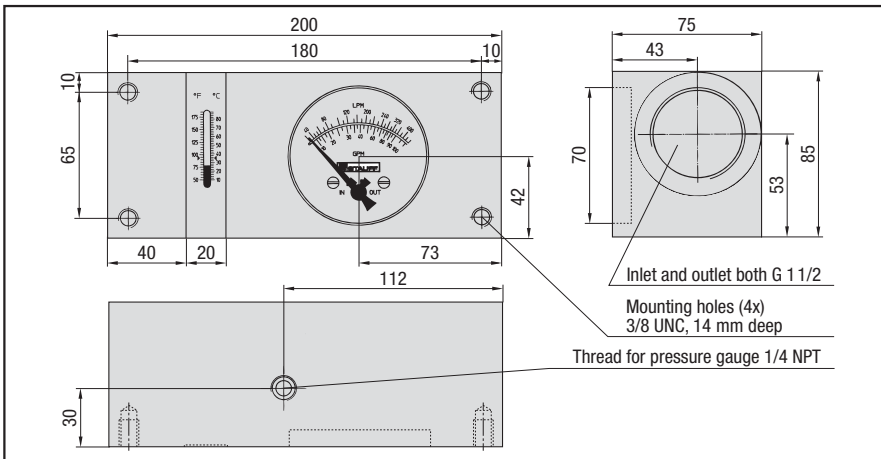
### Characteristics:

- suitable for mineral oil (Aluminium), HFC fluids and water (Bronze)
- designed for in-line installation
- mechanical process (off the line)
- controlling working pressure with a pressure control valve (only SDMK)
- flow indication in l/min and GPM
- thread to connect with pressure gauge (only SDM)

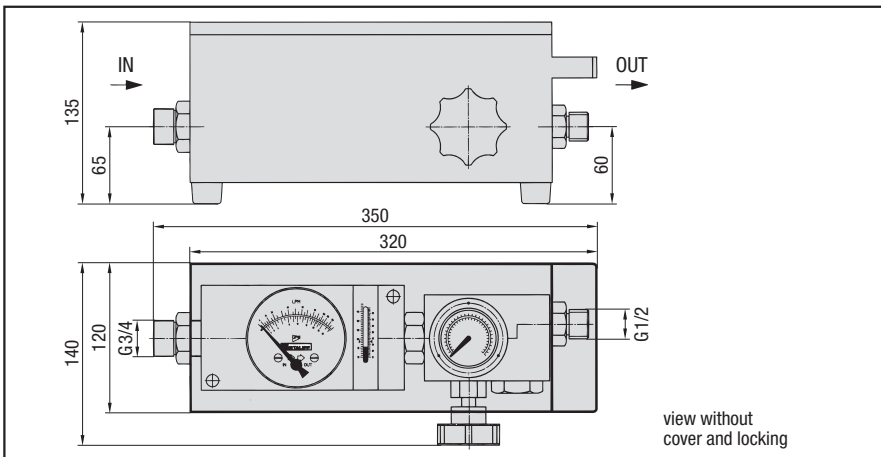
### Dimensions SDM-750



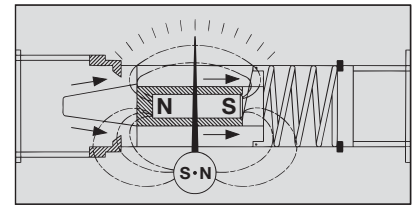
### Dimensions SDM-1500



### Dimensions SDM-750



### Functional principal flow measuring



The flow indicators SDM and SDMK have a sharp-edged orifice and a tapered metering piston, which moves in proportion to changes of flow against a spring. In no flow condition the piston closes the opening and the pointer indicates zero. With increasing flow and differential pressure the piston moves against the calibrated spring. The piston movement is directly proportional to the flow rate and is magnetically coupled to the rotary pointer. During this function the sharp-edged orifice minimises the effects of viscosity. The flow is shown on a calibrated scale in l/min and gal/min.

### Controlling working pressure with SDMK

The pressure control valve of the SDMK is directly connected to a flow-block and together with the integrated pressure gauge it allows an exact control of the working pressure in the maximum range. For protection the SDMK has two rupture disks. At a pressure of 440 bar the disks burst and the fluid is by-passed around the valve. The rupture disks (other pressure ranges on request) can be replaced easily.

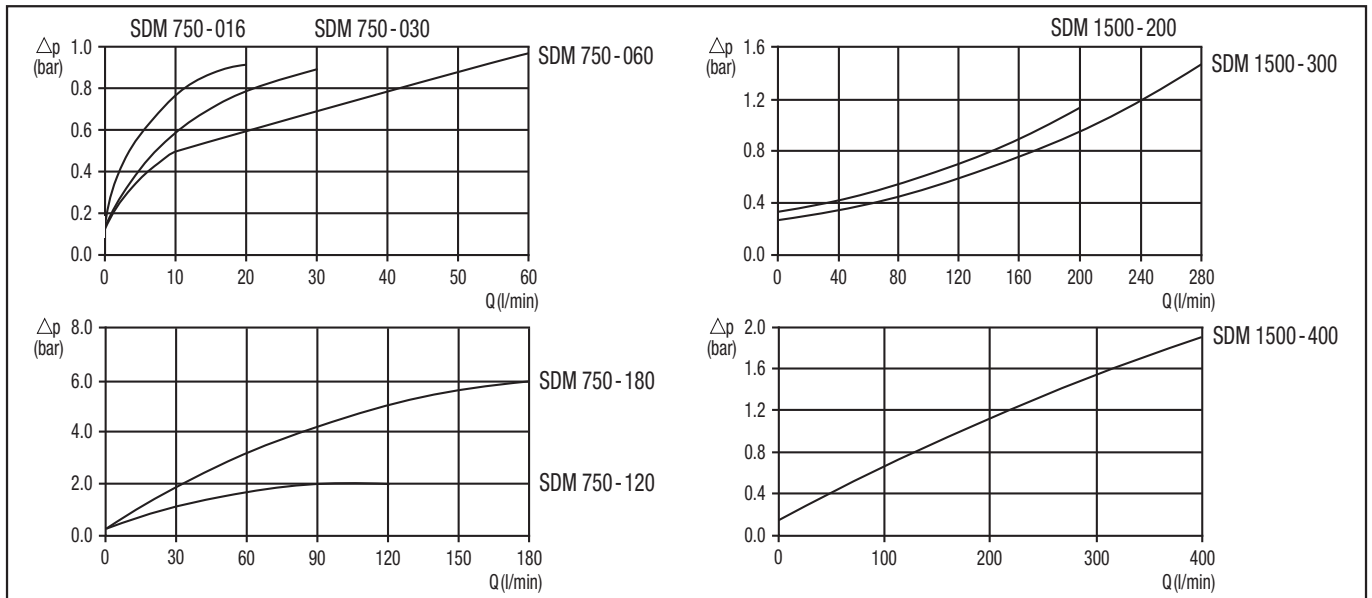
### Technical Data

Accuracy:	
Flow:	± 4 % FSD
Temperature:	± 2 °C
Pressure (only SDMK):	± 1.6 % of max pressure
Temperature measuring range:	10 °C ... 80 °C

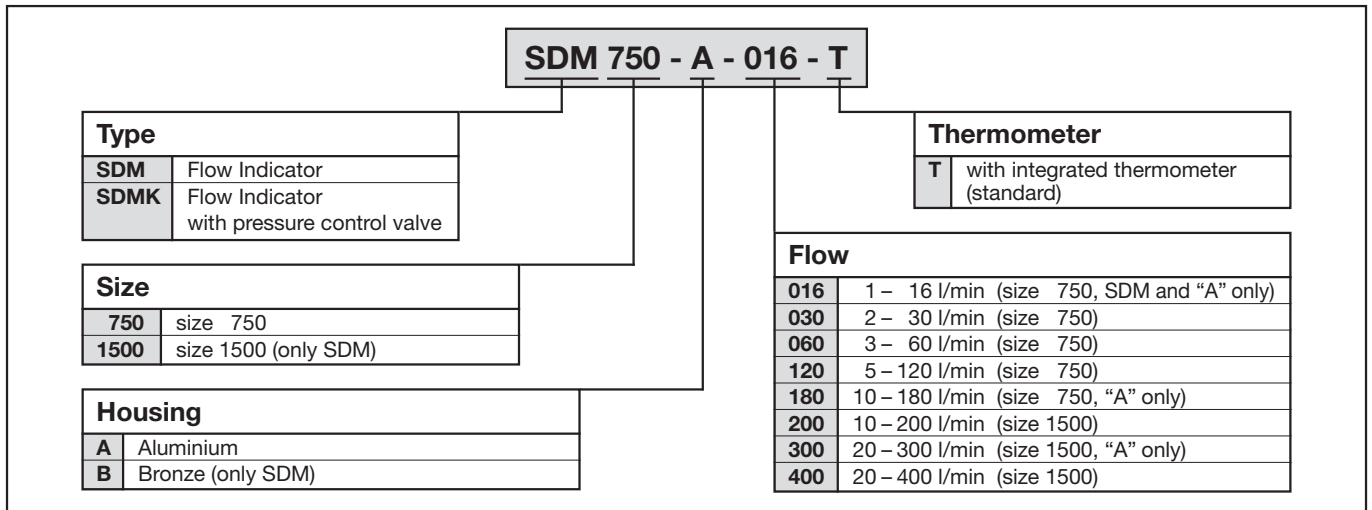
## Technical Data

Part Number	max Working press.	Flow range	Weight	Connection	Dimensions (mm)
SDM-750-A-016-T	420 bar	1 – 16 l/min	1.360 kg	G 3/4	146 x 75 x 50
SDM-750-A-030-T	420 bar	2 – 30 l/min	1.360 kg	G 3/4	146 x 75 x 50
SDM-750-A-060-T	420 bar	3 – 60 l/min	1.360 kg	G 3/4	146 x 75 x 50
SDM-750-A-120-T	420 bar	5 – 120 l/min	1.360 kg	G 3/4	146 x 75 x 50
SDM-750-A-180-T	420 bar	10 – 180 l/min	1.360 kg	G 3/4	146 x 75 x 50
SDM-750-B-030-T	420 bar	2 – 35 l/min	4.250 kg	G 3/4	146 x 75 x 50
SDM-750-B-060-T	420 bar	3 – 70 l/min	4.250 kg	G 3/4	146 x 75 x 50
SDM-750-B-120-T	420 bar	5 – 140 l/min	4.250 kg	G 3/4	146 x 75 x 50
SDM-1500-A-200-T	280 bar	10 – 200 l/min	3.000 kg	G 1 1/2	200 x 85 x 75
SDM-1500-A-300-T	280 bar	20 – 300 l/min	3.000 kg	G 1 1/2	200 x 85 x 75
SDM-1500-A-400-T	280 bar	30 – 400 l/min	3.000 kg	G 1 1/2	200 x 85 x 75
SDM-1500-B-200-T	280 bar	10 – 200 l/min	8.000 kg	G 1 1/2	200 x 85 x 75
SDM-1500-B-400-T	280 bar	30 – 400 l/min	8.000 kg	G 1 1/2	200 x 85 x 75
SDMK-750-A-030-T	420 bar	2 – 30 l/min	4.500 kg	G 3/4 + G 1/2	350 x 135 x 140
SDMK-750-A-060-T	420 bar	3 – 60 l/min	4.500 kg	G 3/4 + G 1/2	350 x 135 x 140
SDMK-750-A-120-T	420 bar	5 – 120 l/min	4.500 kg	G 3/4 + G 1/2	350 x 135 x 140
SDMK-750-A-180-T	420 bar	10 – 180 l/min	4.500 kg	G 3/4 + G 1/2	350 x 135 x 140

## Flow Curves



## Ordering Code





**Area of Application:** mechanical pressure measurement

**Characteristics:**

- suitable for hydraulic oil and gaseous media that do not attack any copper base alloy
- available in nominal sizes 63 and 100
- standard thread form: BSP
- housing made out of stainless steel (1.4301)
- sight glass made out of acrylic
- glycerine filled
- standard dual scales with pressure indication in bar and PSI
- U-bolt or flange mounting kit on request

**Please consult our office before you use SPG with other media.**

**Technical Data:**

pressure gauge according to EN 837-1

system of protection: IP 65 (EN 60 529 / IEC 529)

accuracy class SPG-063: 1.6 (± 1.6 % FS as per EN 837-1)

accuracy class SPG-100: 1.0 (± 1.0 % FS as per EN 837-1)

environmental temp. range: -20°C ... +60°C

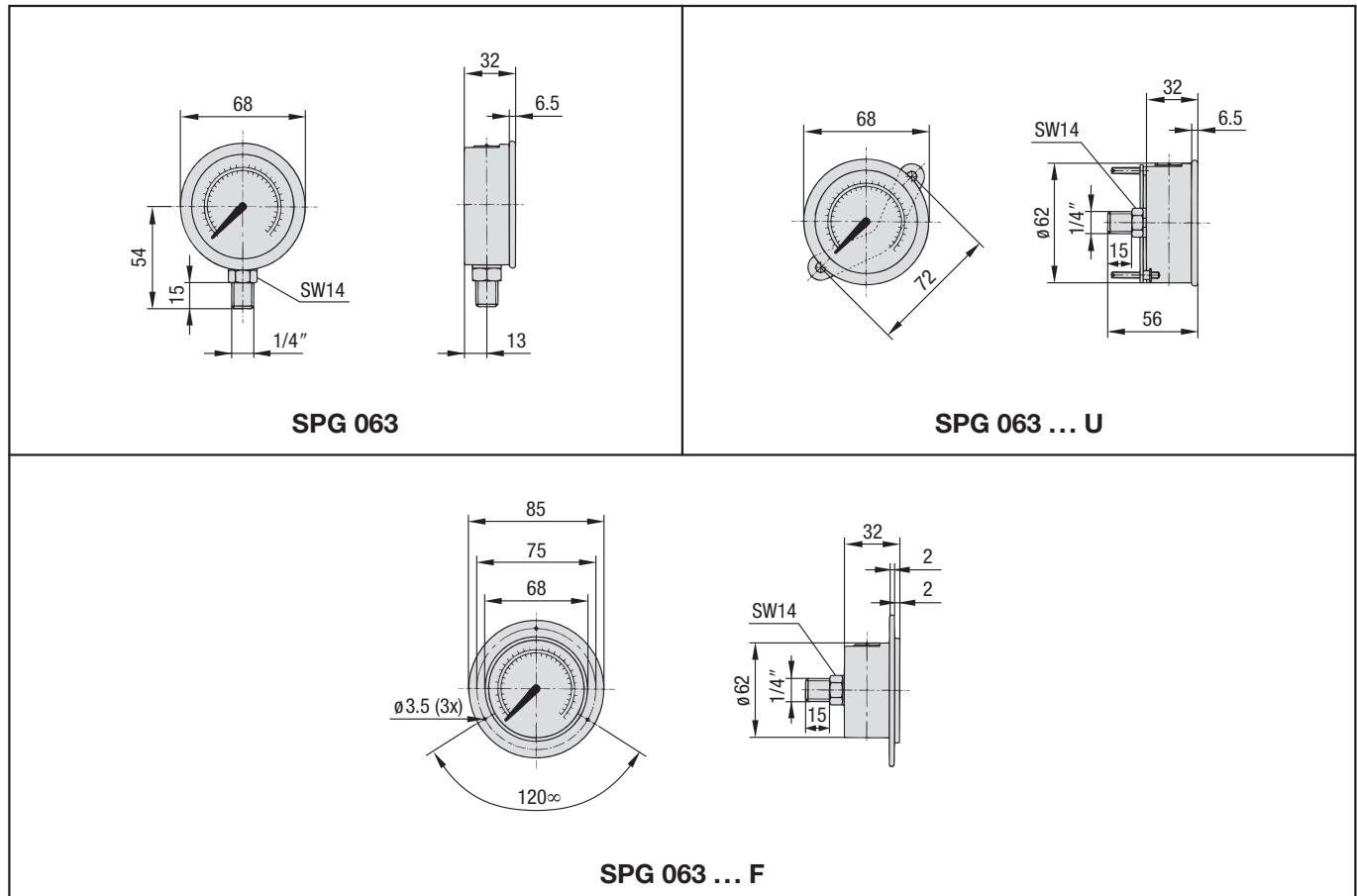
temperature range medium: max +60°C

subject to technical modifications

**Options (on request):**

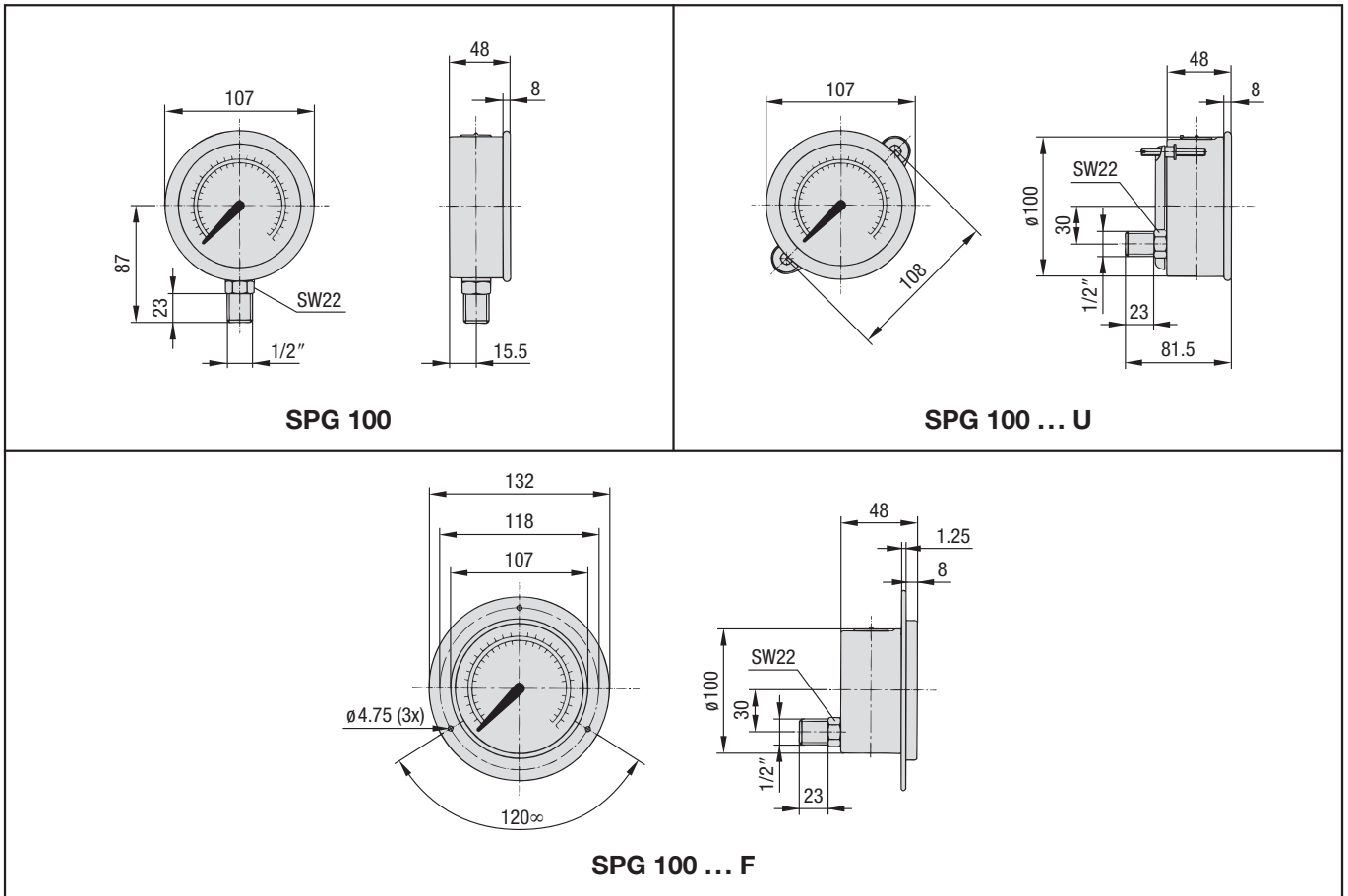
- additional scale readings including personalisation
- thread form NPT
- U-bolt and flange mounting kits are available separately as spare parts
- additional pressure ranges up to 1000 bar max

**Dimensions SPG 063**





## Dimensions SPG 100



## Ordering Code

**SPG 063 - 00160 - 01 - P - B04 - U**

<b>Type</b>		<b>Accessories</b> (for panel mount only)	
<b>SPG</b>	Stainless steel pressure gauge	(none)	no accessory
<b>Size</b>		<b>U</b>	U-bolt assembly
<b>063</b>	63 mm with G 1/4 or 1/4 NPT connection	<b>F</b>	front flange assembly
<b>100</b>	100 mm with G 1/2 or 1/2 NPT connection	<b>R</b>	rear flange assembly
<b>Pressure range</b>		<b>UF</b>	U-bolt and front flange assembly
<b>Code</b>	<b>Pressure range</b>	<b>Thread size</b>	
<b>(-1)00001</b>	(-1) - 1,5 bar / 21 PSI	<b>B04</b>	1/4" BSPP (only SPG 063)
<b>(-1)00003</b>	(-1) - 3 bar / 42 PSI	<b>B08</b>	1/2" BSPP (only SPG 100)
<b>00010</b>	0 - 10 bar / 145 PSI	<b>N04</b>	1/4" NPT (only SPG 063)
<b>00016</b>	0 - 16 bar / 230 PSI	<b>N08</b>	1/2" NPT (only SPG 100)
<b>00025</b>	0 - 25 bar / 360 PSI	Note: Other thread types on request	
<b>00040</b>	0 - 40 bar / 580 PSI	<b>Adaption</b>	
<b>00060</b>	0 - 60 bar / 850 PSI	<b>S</b>	Stem mounting
<b>00100</b>	0 - 100 bar / 1450 PSI	<b>P</b>	Panel mounting
<b>00160</b>	0 - 160 bar / 2300 PSI	<b>Style of scales</b>	
<b>00250</b>	0 - 250 bar / 3600 PSI	<b>01</b>	<b>BAR / PSI</b> (BAR outside / PSI inside - <b>Standard</b> )
<b>00400</b>	0 - 400 bar / 5800 PSI	<b>02</b>	BAR
<b>00600</b>	0 - 600 bar / 8500 PSI	<b>03</b>	PSI
<b>00680</b>	0 - 680 bar / 10000 PSI	<b>05</b>	PSI / BAR (PSI outside / BAR inside)
<b>00700</b>	0 - 700 bar / 10000 PSI	<b>10</b>	KPa / PSI (KPa outside / PSI inside)
<b>01000</b>	0 - 1000 bar / 14500 PSI	Note: Other scale types on request	

Note: Other pressure ranges on request  
Information always refers to the pressure setting of the outside scale.



**Area of Application:**

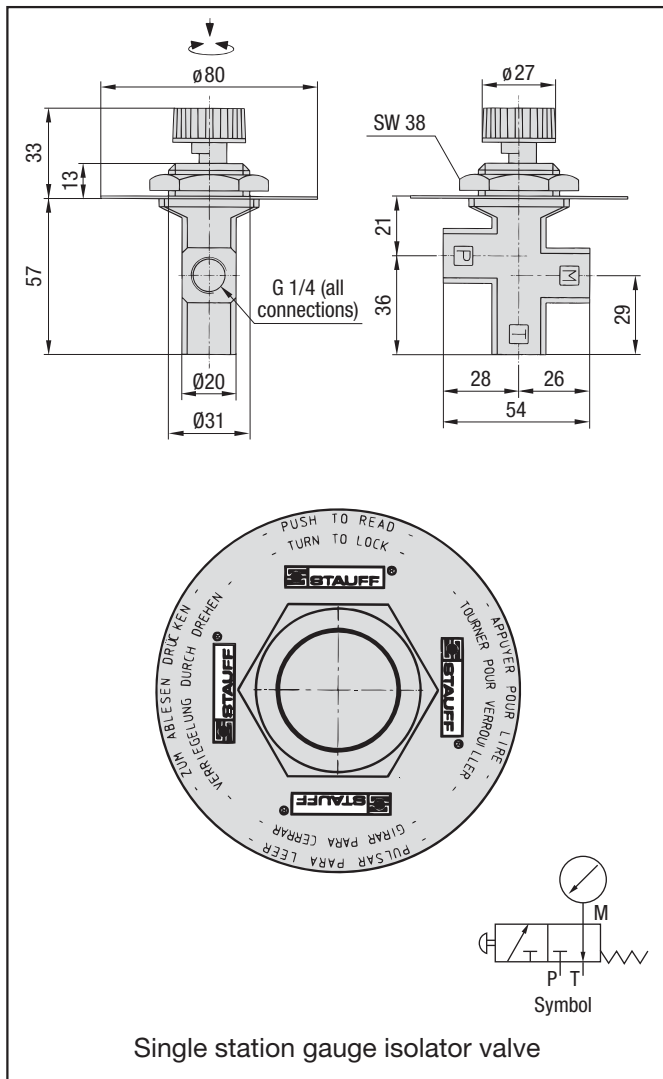
protection against pressure gauge overload (single station) or 6 position pressure measurement (multi station)

**Characteristics:**

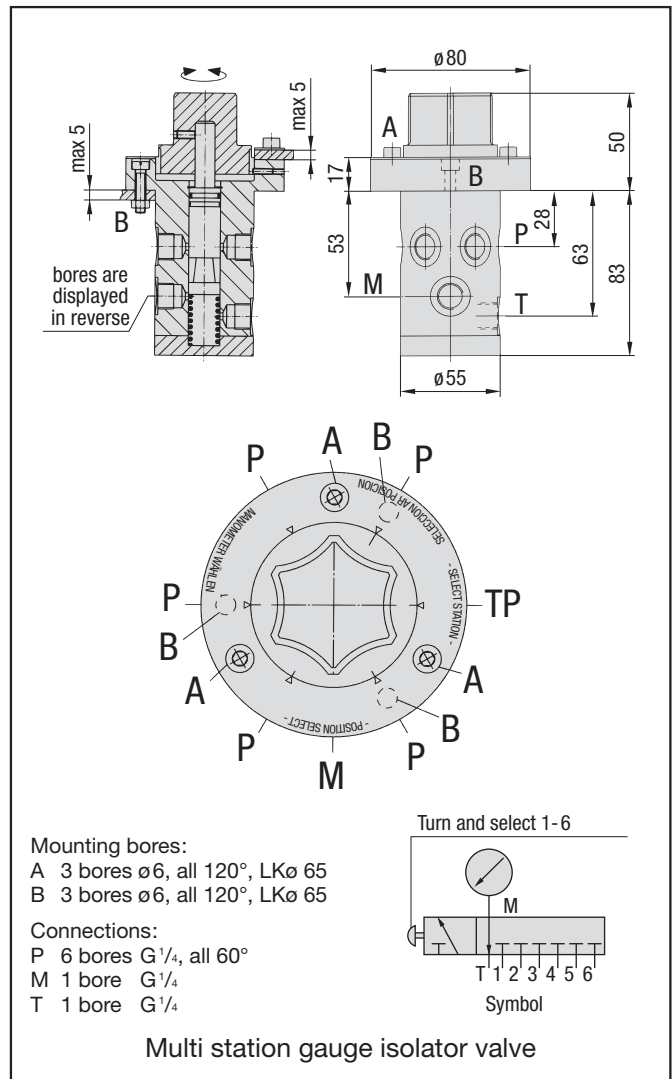
- suitable for hydraulic fluids
- max operating pressure: 400 bar
- connection thread size: G 1/4; 1/4 NPT for single station valves on request
- temperature range: 100°C max
- complete with operation manual (plate mounted to the product)

Please consult our office before you use SWS with other fluids.

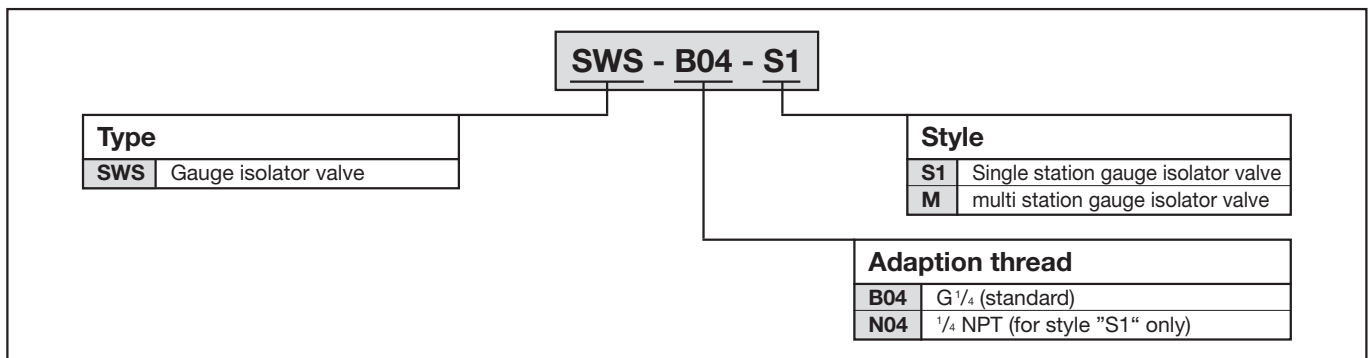
**Dimensions SWS-B04-S1**



**Dimensions SWS-B04-M**



**Ordering Code**





**Area of Application:**

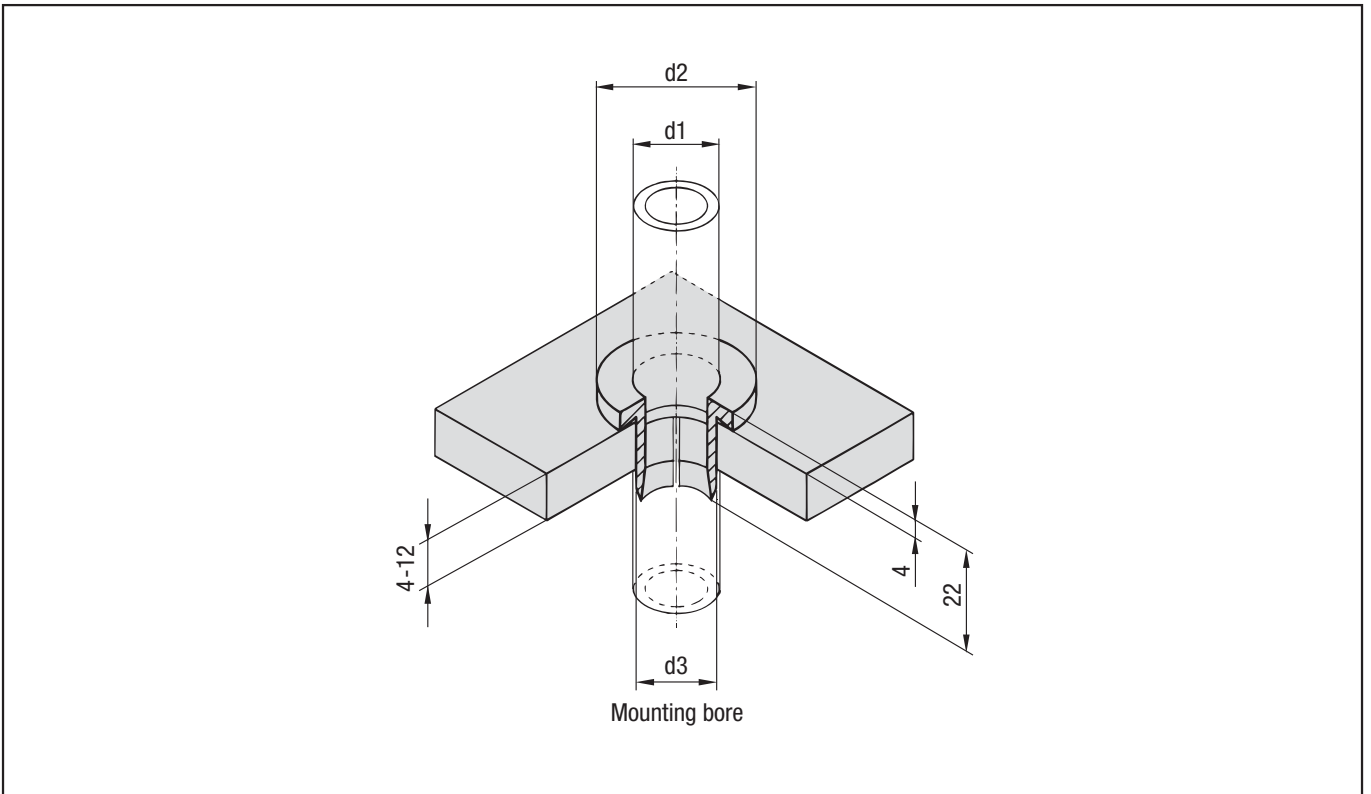
Tubular support and seal for tank entry return lines (ODs from 6 mm up to 42 mm)

**Characteristics:**

- vibration damping and sound absorbing
- resistant against oil and solvents
- available in Santoprene or Polypropylene
- A positive bulkhead installation is ensured by a special lip seal.

**A remarkable feature of return line bushes is easy installation and they offer assembly costs compared to fittings.**

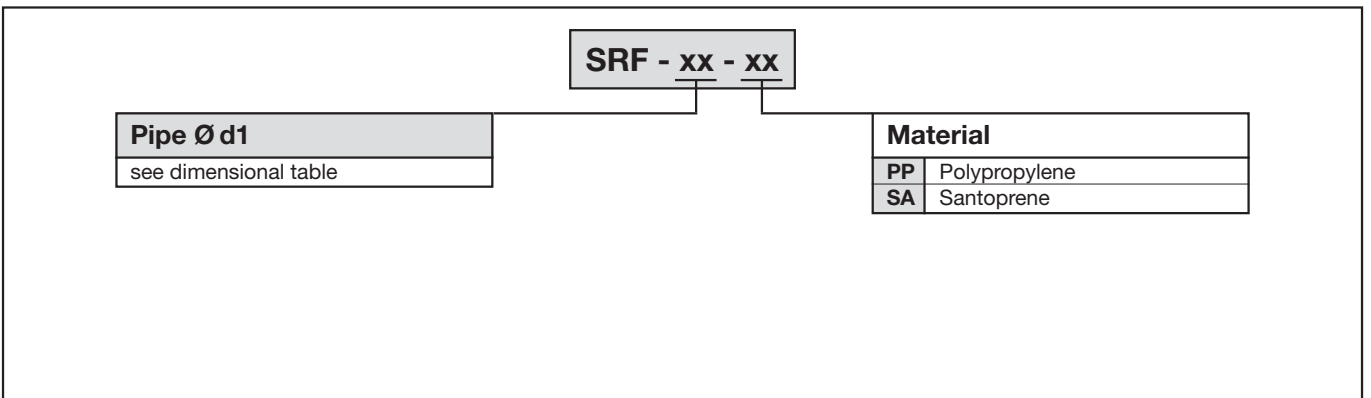
**Dimensions**



**Dimensional Table**

Pipe Ø d1	06	08	10	12	14	15	16	18	20	22	25	28	30	35	38	42
d2	18	20	22	24	26	28	28	30	32	34	38	41	43	48	51	55
d3	10	12	14	16	18	20	20	22	24	26	30	33	35	40	43	47

**Ordering Code**





#### **STAUFF CLAMPS**

Clamping systems for pipes, hoses, cables and components; custom-made special clamps



#### **STAUFF TEST**

Measuring systems for pressure monitoring of fluid and gaseous media; venting and sampling of fluid and gaseous pressure systems



#### **STAUFF FILTRATION TECHNOLOGY**

Filter systems for the basic equipment of mobile and industrial hydraulic applications; wide range of replacement filter elements



#### **STAUFF DIAGTRONICS**

Components and services for the monitoring and analysis of hydraulic fluids for the mobile and industrial hydraulic sectors



#### **STAUFF HYDRAULIC ACCESSORIES**

Components for the construction of hydraulic reservoirs and power units for the mobile and industrial hydraulic sectors



#### **STAUFF FLANGES**

Split flange clamps, one-piece flange clamps and flange adaptors acc. to ISO 6162-1/2 and SAE J518; square flanges and flange adaptors acc. to ISO 6164 and CETOP RP 63 H; pump flanges



#### **STAUFF MACHINED PARTS**

Precision parts machined from stainless steel, carbon steel, non-ferrous metals and thermoplastics for all fields of industry

#### **Walter Stauffenberg GmbH & Co. KG**

P.O.Box 1745 • D-58777 Werdohl  
Im Ehrenfeld 4 • D-58791 Werdohl  
Tel. +49 2392 916-0  
Fax +49 2392 2505  
E-Mail: [sales@stauff.com](mailto:sales@stauff.com)  
Internet: [www.stauff.com](http://www.stauff.com)

# STAUFF