



**AUSTRALIA**

STAUFF Corporation Pty. Ltd.  
P. O. Box 227  
Unanderra Wollongong, NSW, 2526  
24-26 Doyle Avenue  
Unanderra Wollongong, NSW, 2526  
Tel: +61 2 4271 18 77  
Fax: +61 2 4271 84 32

**BRAZIL**

STAUFF Brasil Ltda.  
Avenida Gupê 10767  
Galpão 2 - Bloco A  
Barueri - São Paulo  
CEP 06422-120  
Tel: +55 11 47 72 72 00  
Fax: +55 11 47 72 72 10

**CHINA**

STAUFF Intern.Trading Co., Ltd.  
Shangdian Mansion, Pudong  
331, Binzhou Road  
200126 Shanghai  
Tel: +86 21 58 45 65 60  
Fax: +86 21 58 45 66 80

**FRANCE**

STAUFF S.A.  
230, Avenue du Grain d'Or  
Z.I. de Vineuil - Blois Sud  
41354 Vineuil-cesdex  
Tel: +33 2 54 50 55 50  
Fax: +33 2 54 42 29 19

**GERMANY**

Walter Stauffenberg GmbH & Co. KG  
Postfach 1745  
58777 Werdohl  
Im Ehrenfeld 4  
58791 Werdohl  
Tel: +49 23 92 916-0  
Fax: +49 23 92 2505

**INDIA**

STAUFF India Pvt. Ltd.  
Gat. No. 2340  
Pune Nagar Road, Wagholi  
Pune, 412207  
Tel: +91 202 705 19 90  
Fax: +91 202 705 19 89

GLOBALLY AVAILABLE THROUGH DISTRIBUTORS IN ALL INDUSTRIAL COUNTRIES.

**UNITED STATES OF AMERICA**

STAUFF Corporation  
7 Wm. Demarest Place  
Waldwick, New Jersey 07463-1542  
Tel: +1 201 444 7800  
Fax: +1 201 444 7852  
[www.stauffusa.com](http://www.stauffusa.com)  
[sales@stauffusa.com](mailto:sales@stauffusa.com)

**ITALY**

STAUFF Italia S.r.l.  
Via Pola 21/23  
20034 Birone di Giussano  
Tel: +39 0362 312113  
Fax: +39 0362 335536

**KOREA**

STAUFF Korea Ltd.  
1500-12, Dadae-Dong  
Saha-Ku  
Pusan, Korea 604-826  
Tel: +82 51 266 6666  
Fax: +82 51 266 8866

**NEW ZEALAND**

Stauff Corporation (NZ) Ltd.  
P.O. Box 58517,  
Greenmount, Auckland  
Unit D, 103 Harris Road  
East Tamaki, Auckland  
Tel: +64 9 271 48 12  
Fax: +64 9 271 48 32

**POLAND**

STAUFF Polska Sp. z o.o.  
ul. Rdestowa 51  
81-591 Gdynia  
Tel: +48 58 660 11 60  
Fax: +48 58 629 79 52

**UNITED KINGDOM**

STAUFF UK  
332, Coleford Road  
Darnall  
Sheffield, S9 5PH  
Tel: +44 114 251 85 18  
Fax: +44 114 251 85 19

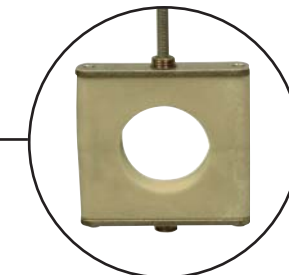
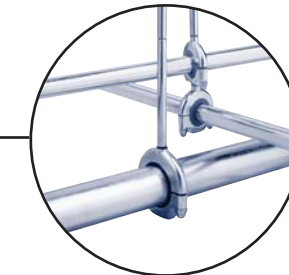
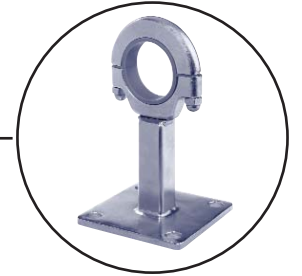
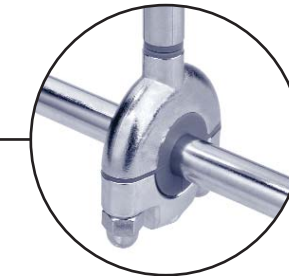
**CANADA**

STAUFF Canada Ltd.  
866 Milner Avenue  
Scarborough  
Ontario M1B 5N7  
Tel: +1 416 282 4608  
Fax: +1 416 282 3039  
[www.stauffcanada.com](http://www.stauffcanada.com)  
[sales@stauffcanada.com](mailto:sales@stauffcanada.com)

YOUR LOCAL DISTRIBUTOR:

# Hi-Clean™ pipe & tubing hangers

HI-CLEAN CLAMPS





# HI-CLEAN™ STAINLESS SERIES

**Supports:** For use with Process, Food and Pharmaceutical Applications



- Clamp design is patent approved.
- Type 316 stainless steel is standard. No corrosion or painting.
- All exposed metallic holder surfaces are 35 R<sub>a</sub> or better.
- All non-metallic materials are FDA compliant.
- No exposed threaded pipe support components.
- Only closed sections such as round, square or rectangular tube steel are used with end caps which close the sections.
- Exposed threads or bolts and anchor bolts are concealed by locking acorn nuts.
- Edges and inside corners are chamfered or rounded for cleanliness and safety.
- Optional grommets allow for either tube or pipe "clamping" or "sliding".

**PATENT APPROVED**

## Pipe & Tubing Hanger follows the design principles of BPE-2002

BPE-2002 SECTION	HANGER DESIGN PRINCIPLE
SD-3.1.1	The hanger surfaces are rounded and cleanable.
SD-3.1.2	The use of horizontal surfaces is minimized.
SD-3.1.3	The hangers are drainable and free of surfaces where liquids could collect. The grommet around the tubing or piping is leak tight and the rounded surfaces of the assembly are conducive to spillage removal and drainage of periodic washdown fluids.
SD-3.1.5	The hanger surfaces are accessible to cleaning solutions.
SD-3.1.6	The hanger surfaces have no exposed threads. The use of acorn nuts covers the fastener threads.
SD-3.3.1	Hangers are supplied in a polished condition, if requested by the customer.
SD-3.4.1	Standard material of construction is 316 stainless and cast CF8M.
SD-3.4.2	The nitrile, silicone, and teflon grommet materials are compliant with 21CFR 177.
SD-3.7.6	Hanger surfaces are self draining and horizontal surfaces are minimized.
SD-3.8 (a)	Hanger surfaces are stainless steel or FDA compliant elastomers. There are no plating or coating that could chip or flake.
SD-3.8 (b)	Hanger finish is polished. Electro-polishing is also available.
SD-3.8 (c)	The hangers, and their gasketing and grommets, are suitable for washdown. The use of silicon for grommets and gasketing is compatible with steam cleaning.
SD-3.8 (d)	Burrs are removed as part of normal manufacturing operations

## REFERENCE SPECIFICATIONS

MSS SP-69	Manufacturers Standardization Society Standard Practice: Pipe Hangers and Supports - Selection and Application.
MSS SP-77	Manufacturers Standardization Society Standard Practice: Guidelines for Pipe Support Contractual Relationships - Relationships and Responsibilities of the Pipe Hanger Contractor with the Purchaser's Engineer or the Pipe Fabricator and/or Erector
MSS SP-89	Pipe Hangers and Supports - Fabrication and Installation Practices.

## Pipe and Tubing Hanger Specifications



### Hanger Holding Assembly

COMPONENT	MATERIAL	SPECIFICATION	STANDARD FINISH
Holder Housing, Upper & Lower	316 stainless steel	Casting grade CF8M	35 R <sub>a</sub>
Holder Grommet	Silicone (blue)	70 shore A	--
Slider Grommet	PTFE	50-65 shore D	--
Acorn Nuts, Locking	18-8 stainless steel		--
Mounting Stud	18-8 stainless steel		Threaded (not exposed)

PTFE grommet is bored to allow pipe/tube to slide.  
**Note:** Other materials available on request. Consult factory for details.

### Hanger Support Assembly

COMPONENT	MATERIAL	SPECIFICATION	STANDARD FINISH
Top Mount Support Rod	316 series stainless		50 R <sub>a</sub> Mill
Bottom Mount Base Plate	316 series stainless	Casting grade CF8M	35 R <sub>a</sub>
Bottom Assembly Rod	316 series stainless		50 R <sub>a</sub> Mill
Square Telescoping Tubing	316 series stainless		35 R <sub>a</sub>
Square Stand Off	316 series stainless	Casting grade CF8M	35 R <sub>a</sub>
Wall Mount Bracket	316 series stainless	Casting grade CF8M	35 R <sub>a</sub>
Wall Mount Tube	316 series stainless		35 R <sub>a</sub>
Round Stand Off	316 series stainless	Casting grade CF8M	35 R <sub>a</sub>
Wall Mount Tube Cap	PVC vinyl		--
Multiple Run Connector	316 series stainless		Threaded (not exposed)
Top Mount Support Rod Coned Gasket	Silicone	70 durometer hardness	As molded

**Note:** Other materials available on request. Consult factory for details.

### Top Mount Support Rod Dimensions

PIPE / TUBING SIZE	ROD DIAMETER	TAP DIAMETER
1/4" tube - 2" tube	3/8"	3/8" - 16 UNC
2" pipe - 3" pipe	1/2"	1/2" - 13 UNC
4" pipe and tube	5/8"	5/8" - 11 UNC
6" pipe and tube	3/4"	3/4" - 10 UNC

Top Mount Support Rods come in 6", 12", and 24" Standard Lengths.

### Grommet Material Ratings

MATERIAL	TYPE	TEMP. RATING	
Silicone	Clamp	400°F	204°C
PTFE	Slide	400°F	204°C

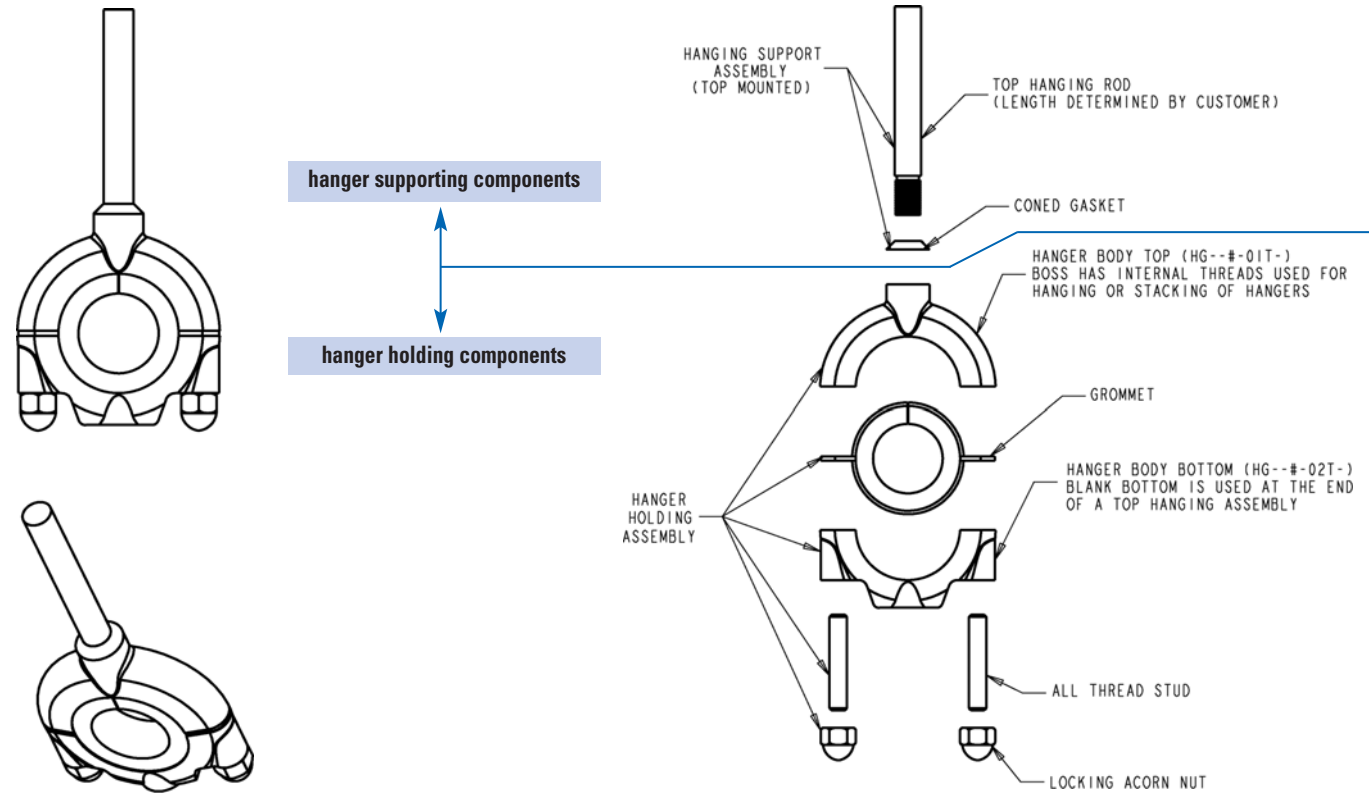
**Note:** Other materials available on request. Consult factory for details.

### Sizing Pipe and Tubing Hanger Grommets

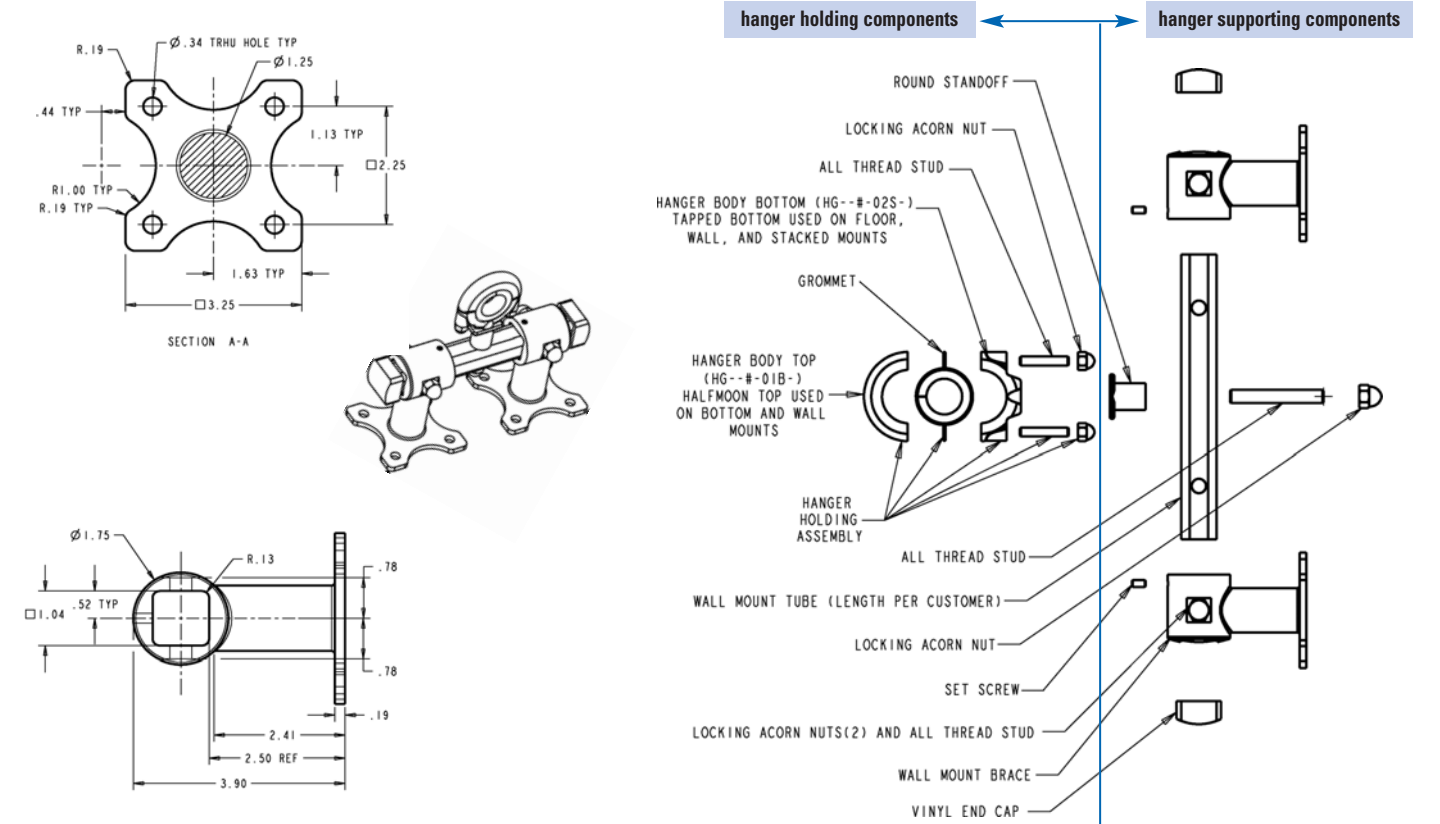
SIZE	PIPE O.D.	TUBE O.D.	COPPER TUBE O.D.*
1/4"	0.54"	0.25"	0.375"
3/8"	0.68"	0.37"	0.500"
1/2"	0.84"	0.5"	0.625"
3/4"	1.05"	0.75"	0.875"
1"	1.32"	1.0"	1.125"
1-1/4"	1.66"	1.25"	1.375"
1-1/2"	1.90"	1.5"	1.625"
2"	2.38"	2.0"	2.125"
2-1/2"	2.88"	2.5"	2.625"
3"	3.5"	3.0"	3.125"
4"	4.5"	4.0"	4.125"
6"	6.63"	6.0"	6.125"

**Important Note:** Be sure to specify appropriate hanger sizes for pipe or tube. Industry trade standards for measuring pipe and tube outside diameter (O.D.) is shown in the chart above. Use a calliper to measure pipe/tube to ensure proper grommet size.

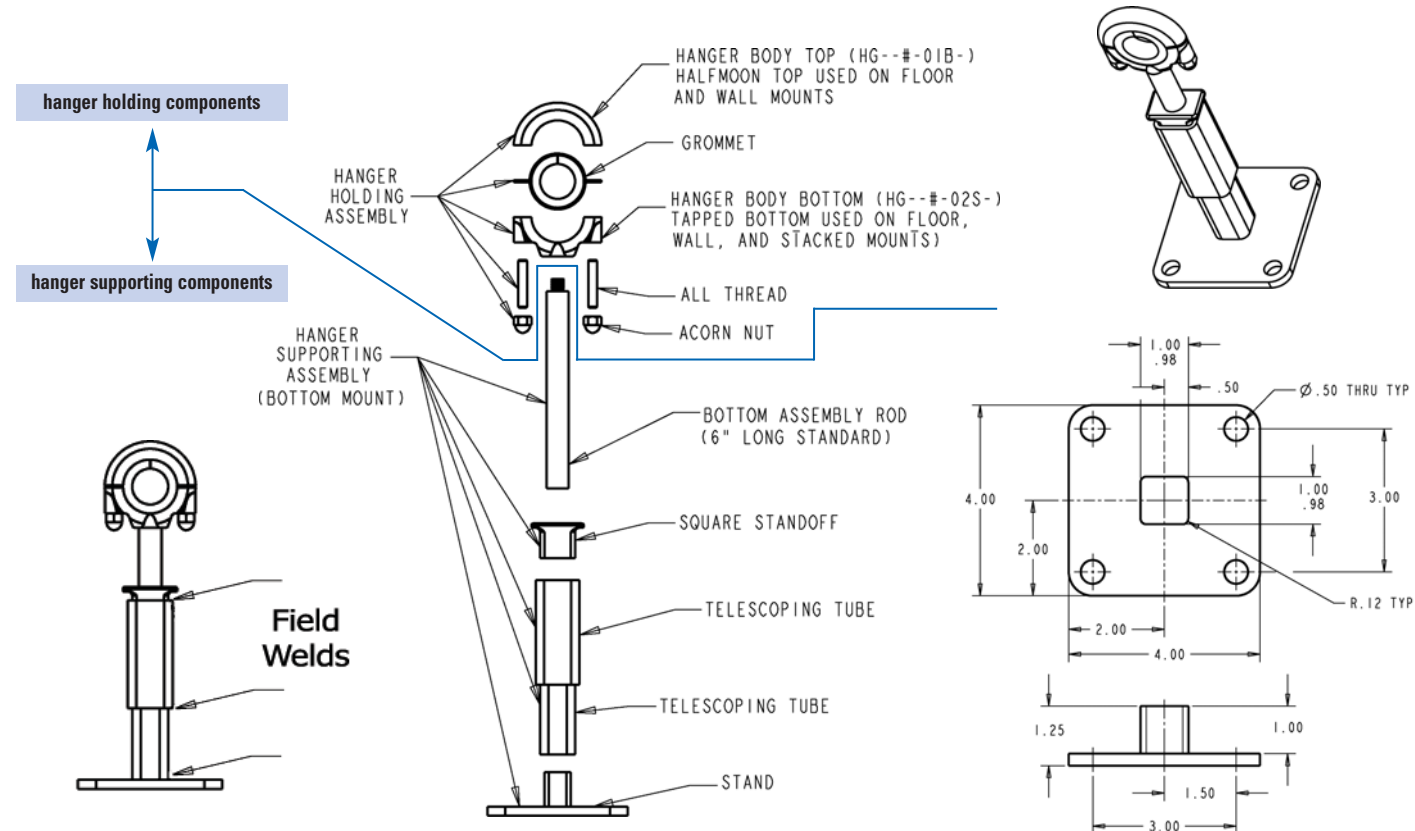
# Hanger Assembly



# Wall Mount Assembly

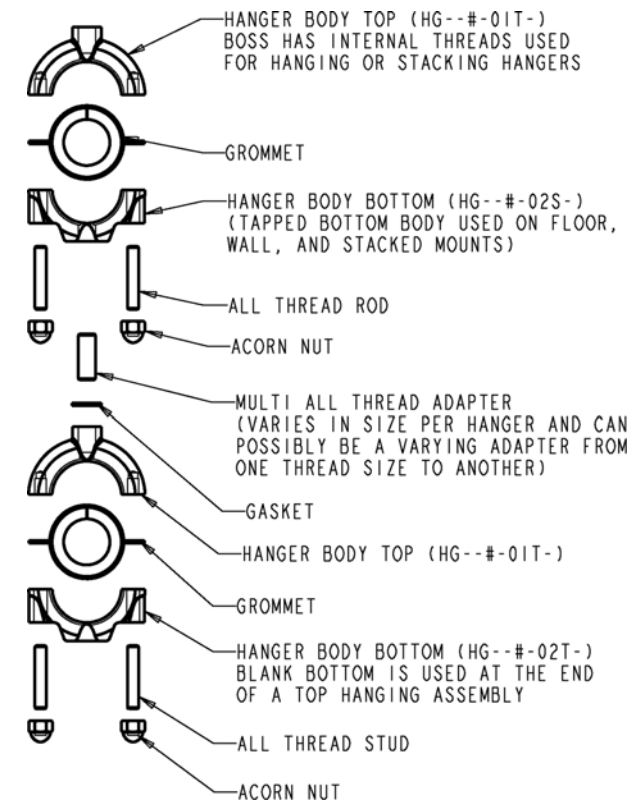


# Bottom Mount Assembly

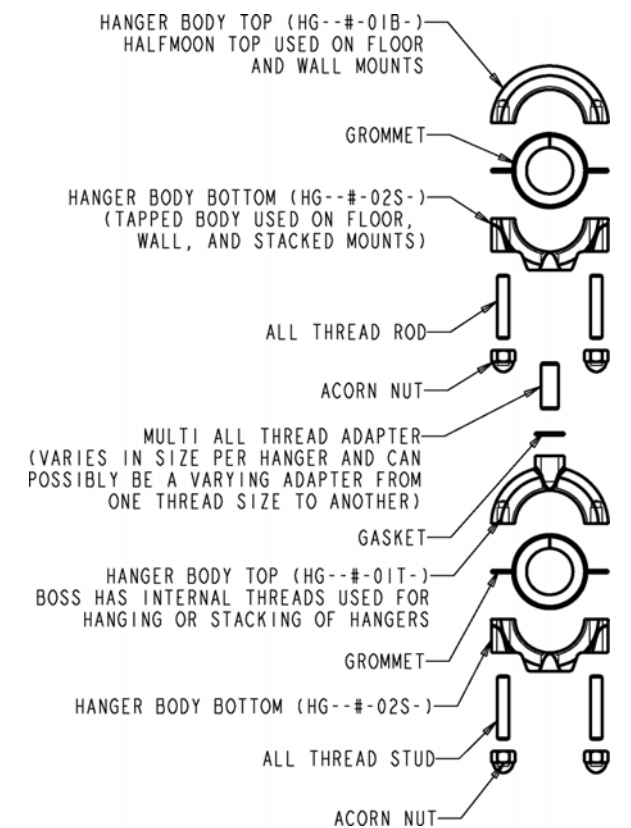


# Multi-Hanger Holding Assemblies

## Top Mounted Multi-Hanger



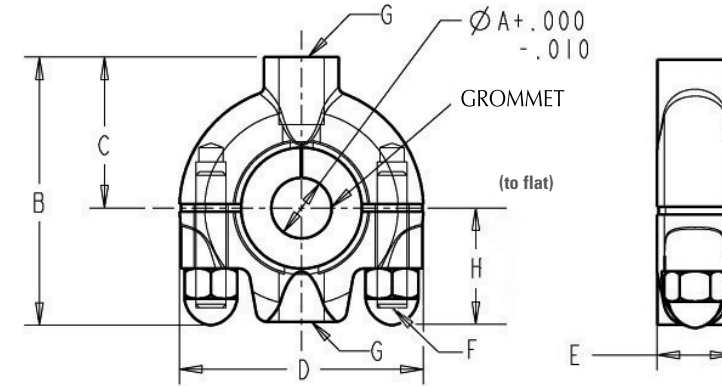
## Bottom or Wall Mounted Multi-Hanger



## Top Mount (Hang from Ceiling) Housing Dimensions

GROMMET SIZE*		DIMENSIONS								APPROX. WEIGHT
PIPE	TUBE	UNITS	B	C	D	E	F	G	H	
1/4", 3/8"	1/4", 3/8"	inches	2.22	1.25	2.02	0.63	1/4"-20	3/8"-16	.94	0.32 lbs
1/2"	1/2", 3/4"	mm	56.39	31.7	51.3	16.00			23.88	0.145 kg
3/4", 1"	1", 1-1/4"	inches	2.72	1.50	2.52	0.63	1/4"-20	3/8"-16	1.15	0.44 lbs
		mm	69.08	38.1	64.0	16.00			29.21	0.2 kg
1-1/4"	1-1/2"	inches	3.50	1.88	3.62	0.75	5/16"-18	3/8"-16	1.62	0.95 lbs
1-1/2"	2"	mm	88.9	47.75	91.95	19.10			41.15	0.43 kg
2", 2-1/2"	2-1/2"	inches	5.07	2.63	5.25	0.88	5/16"-18	1/2"-13	2.44	1.97 lbs
3"	3"	mm	128.8	66.80	133.4	22.4			61.98	0.89 kg
4"	4"	inches	6.62	3.50	6.75	1.00	3/8"-16	5/8"-11	3.12	3.35 lbs
		mm	168.1	88.90	171.5	25.40			79.25	1.52 kg
6"	6"	inches	8.88	4.50	9.00	1.25	1/2"-13	3/4"-10	4.38	7.41 lbs
		mm	225.6	114.3	228.6	31.75			111.25	3.36 kg

## Top Mount (Hang from Ceiling)



There are six different housing size codes that accommodate pipe and tube sizes from 1/4" - 6". The housing size codes are "C, E, H, K, L, and M". Dimensions of housing codes can be seen on tabulated drawings to the left.

LINE SIZE	HOUSING SIZE CODE		
	TUBING	PIPE	COPPER TUBE
1/4"	C	C	C
3/8"	C	C	C
1/2"	C	C *	C
3/4"	C	E	C
1"	E	E *	E
1-1/4"	E	H	E
1-1/2"	H	H	H
2"	H	K	H
2-1/2"	K	K	K
3"	K	K *	K
4"	L	L	L
6"	M	M	M

\* Slider Housing moves up one size

Varying all-thread adapters are used to connect two (2) different hanger holder housing sizes. Use the chart above to determine if varying adapters are required.

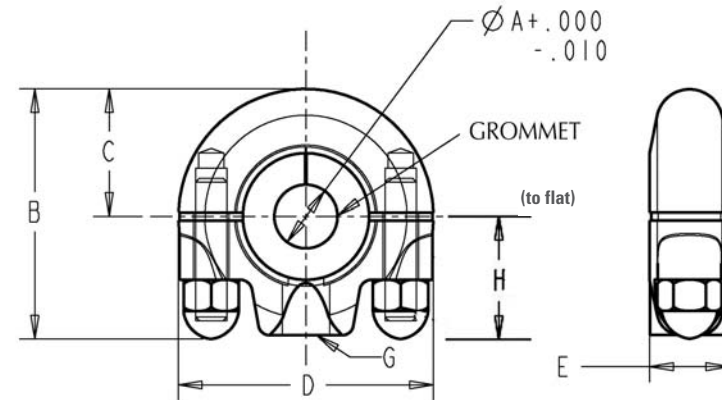
For example, if you wish to hang a 1-1/2" tube holder from a 2" tube holder, since the housings are the same size (size code "H"), a standard all-thread adapter is required.

If you wish to hang a 1-1/2" tube holder from a 3" tube holder, the housings are different size codes (1-1/2" tube = code H, 3" tube = code K), therefore a varying all-thread adapter is required.

## Bottom/Wall Mount (Mount from floor to wall) Housing Dimensions

GROMMET SIZE*		DIMENSIONS								APPROX. WEIGHT
PIPE	TUBE	UNITS	B	C	D	E	F	G	H	
1/4", 3/8"	1/4", 3/8"	inches	1.98	1.01	2.02	0.63	1/4"-20	3/8"-16	.94	0.31 lbs
1/2"	1/2", 3/4"	mm	50.30	25.60	51.3	16.0			23.88	0.14 kg
3/4", 1"	1", 1-1/4"	inches	2.48	1.26	2.52	0.63	1/4"-20	3/8"-16	1.15	0.44 lbs
		mm	63.00	32.00	64.0	16.0			29.21	0.2 kg
1-1/4"	1-1/2"	inches	3.43	1.81	3.62	0.75	5/16"-18	3/8"-16	1.62	0.96 lbs
1-1/2"	2"	mm	87.1	46.00	91.95	19.1			41.15	0.44 kg
2", 2-1/2"	2-1/2"	inches	5.07	2.63	5.25	0.88	5/16"-18	1/2"-13	2.44	1.99 lbs
3"	3"	mm	128.8	66.8	133.4	22.4			61.9	0.90 kg
4"	4"	inches	6.50	3.38	6.75	1	3/8"-16	5/8"-11	3.12	3.38 lbs
		mm	165.1	85.80	171.5	25.4			79.25	1.53 kg
6"	6"	inches	8.88	4.50	9.00	1.25	1/2"-13	3/4"-10	4.38	7.36 lbs
		mm	225.6	114.3	228.6	31.75			111.25	3.33 kg

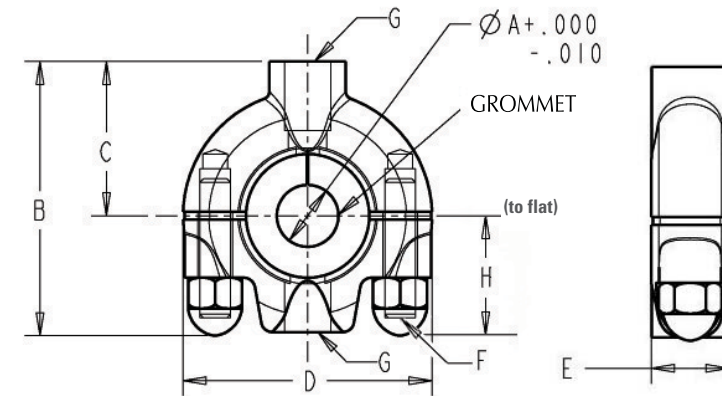
## Bottom/Wall Mount (Mount from floor to wall)



## Multiple-Run (Stacking) Housing Dimensions

GROMMET SIZE*		DIMENSIONS								APPROX. WEIGHT
PIPE	TUBE	UNITS	B	C	D	E	F	G	H	
1/4", 3/8"	1/4", 3/8"	inches	2.22	1.25	2.02	0.63	1/4"-20	3/8"-16	.94	0.32 lbs
1/2"	1/2", 3/4"	mm	56.39	31.75	51.3	16.0			23.88	0.145 kg
3/4", 1"	1", 1-1/4"	inches	2.72	1.5	2.52	0.63	1/4"-20	3/8"-16	1.15	0.44 lbs
		mm	69.08	38.1	64.0	16.0			29.21	0.2 kg
1-1/4"	1-1/2"	inches	3.5	1.88	3.62	0.75	5/16"-18	3/8"-16	1.62	0.95 lbs
1-1/2"	2"	mm	88.9	47.75	91.95	19.1			41.15	0.43 kg
2", 2-1/2"	2-1/2"	inches	5.07	2.63	5.25	0.88	5/16"-18	1/2"-13	2.44	1.97 lbs
3"	3"	mm	128.8	66.8	133.4	22.4			61.98	0.89 kg
4"	4"	inches	6.62	3.5	6.75	1	3/8"-16	5/8"-11	3.12	3.35 lbs
		mm	168.1	88.9	171.5	25.4			79.25	1.52 k
6"	6"	inches	8.88	4.50	9.00	1.25	1/2"-13	3/4"-10	4.38	7.41 lbs
		mm	225.6	114.3	228.6	31.75			111.25	3.36 kg

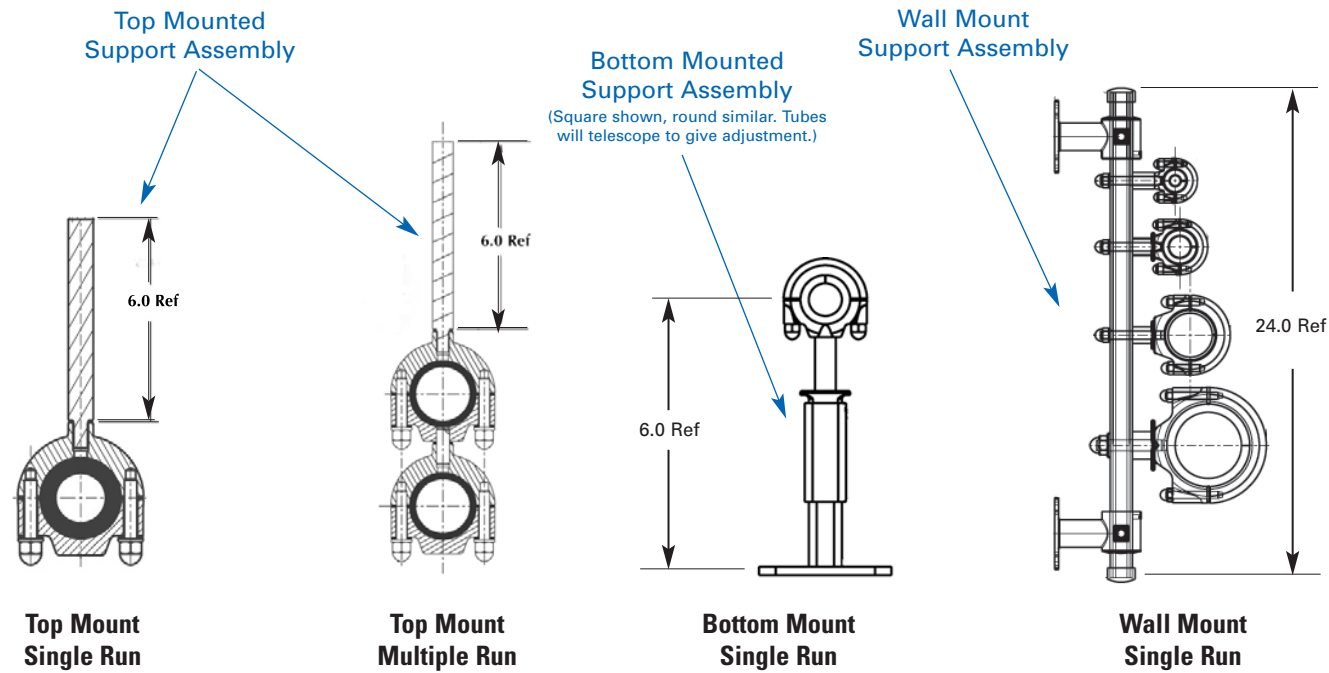
## Multiple-Run (Stacking)



### Box Quantities

SIZE RANGE	BOX QTY
1/4" tube - 1-1/4" tube	24
1-1/4" pipe - 2" tube	12
2" pipe - 4" pipe	6
6" tube/pipe	1





Pipe and Tubing Supports Ordering Information

Number in "( )" represents part number position.

Product (1-2)	Material (3-4)	Size* (5)	Hanger Style (6)	Grommet Style (7)	Grommet Material (8-9)	Hanger Type (10)	Polish Option (11-12)
HH Hanger Holding Assembly	H- 316 Stainless	A 1/4"	T Top Mounted from Ceiling	F Tube Diameter	SL Silicone, 70 Durometer	S Single Run (1 Tapped Hole)	-- 35 R <sub>a</sub> Finish (Standard)
		B 3/8"		B Pipe Diameter			A- 20 R <sub>a</sub> Mirror Finish
		C 1/2"		T Copper Tube Diam.			-M 35 R <sub>a</sub> Finish + Electro Polish
		D 3/4"	B Bottom or Wall Mount	M Multiple Run (2 Tapped Holes)	BU Nitrile (Buna N), 70 Durometer	AM 20 R <sub>a</sub> Mirror Finish + Electro Polish	
		E 1"			VT Teflon (Slider)		
		F 1.25"					
		G 1.5"					
		H 2"					
		J 2.5"					
		K 3"					
		L 4"					
		M 6"					

\*Din and ISO Size Grommets available. Consult factory.

Ordering Example

Series	Material	Size	Hanger Style	Grommet Style	Grommet Material	Hanger Type	Polish Option
HH	H-	C	T	F	SL	S	--
Hanger Holding Assembly	316 Stainless Steel	1/2" size	Top Mount from Ceiling	Tube Diameter	Silicone, 70 Durometer	Single Run	35 R <sub>a</sub> Finish

Pipe and Tubing Support Rods and Components Ordering Information

Number in "( )" represents part number position.

Product (1-2)	Material (3-4)	Size (5)	Hanger Style (6)	Length (7-9)	Polish Options (10-11)
HS Hanger Supporting Assembly	H- 316 Stainless Steel	A 1/4" thru 3/8"	T Top Mounted from Ceiling	XYZ X = Feet; YZ - Inches	-- 50 R <sub>a</sub> Finish (Standard)
		D 1/2" thru 2" Tube		EXAMPLES	A- 20 R <sub>a</sub> Mirror Finish
		H 2" Pipe thru 3"	B Bottom Mount from Floor (Square Tube)	006 6" (base mount adjustable from 6" to 10")	-M 50 R <sub>a</sub> Finish + Electro Polish
		L 4" Pipe and Tube		AM 20 R <sub>a</sub> Mirror Finish + Electro Polish	
		M 6" Pipe and Tube	W Wall Mount	110 1'10" (base mount adjustable from 1'10" to 3'6")	

Ordering Example

Series	Material	Size	Hanger Style	Length	Polish Option
HS	H-	D	T	006	A-
Hanger Support Assembly	316 Stainless Steel	1/2" thru 2" Tube	Top Mount from Ceiling	6"	Mechanically Polished to 20 R <sub>a</sub> Mirror Finish

Sizing DIN and ISO Hanger Grommets

SIZE	ISO 4200 O.D.	DIN 11850 O.D.
8 (1/4")	13.50 (.531")	10.00 (.394")
10 (3/8")	17.20 (.677")	12.00 (.472")
15 (1/2")	21.30 (.839")	19.00 (.748")
20 (3/4")	26.90 (1.059")	23.00 (.906")
25 (1")	33.70 (1.327")	29.00 (1.142")
32 (1-1/4")	42.40 (1.669")	35.00 (1.378")
40 (1-1/2")	48.30 (1.902")	41.00 (1.614")
50 (2")	60.30 (2.374")	53.00 (2.087")
65 (2-1/2")	76.10 (2.996")	70.00 (2.756")
80 (3")	88.90 (3.50")	85.00 (3.347")
100 (4")	114.30 (4.50")	104.00 (4.094")
150 (6")	154.00 (6.063")	154.00 (6.063")

**Important Note:** Be sure to specify appropriate hanger sizes for pipe or tube. Industry trade standards for measuring pipe and tube outside diameter (O.D.) is shown in the chart above. Use a calliper to measure pipe/tube to ensure proper grommet size.

Pipe and Tubing Supports Ordering Information

Number in "( )" represents part number position.

Product (1-2)	Material (3-4)	Size (5)	Hanger Style (6)	Grommet Style (7)	Grommet Material (8-9)	Hanger Type (10)	Polish Option (11-12)	
HH Hanger Holding Assembly	H- 316 Stainless	A 8 (1/4")	T Top Mounted from Ceiling	D DIN 11850 Diam.	SL Silicone, 70 Durometer	S Single Run (1 Tapped Hole)	-- 35 R <sub>a</sub> Finish (Standard)	
		B 10 (3/8")					I ISO 4200 Diam.	A- 20 R <sub>a</sub> Mirror Finish
		C 15 (1/2")					B Bottom or Wall Mount	-M 35 R <sub>a</sub> Finish + Electro Polish
		D 20 (3/4")	M Multiple Run (2 Tapped Holes)	AM 20 R <sub>a</sub> Mirror Finish + Electro Polish				
		E 25 (1")	BU Nitrile (Buna N), 70 Durometer					
		F 32 (1.25")	VT Teflon (Slider)					
		G 40 (1.5")						
		H 50 (2")						
		J 65 (2.5")						
		K 80 (3")						
		L 100 (4")						
		M 150 (6")						

Ordering Example

Series	Material	Size	Hanger Style	Grommet Style	Grommet Material	Hanger Type	Polish Option
HH	H-	C	T	D	SL	S	--
Hanger Holding Assembly	316 Stainless Steel	15 (1/2") size	Top Mount from Ceiling	DIN 11850 Diam.	Silicone, 70 Durometer	Single Run	35 R <sub>a</sub> Finish

Pipe and Tubing Support Rods and Components Ordering Information

Number in "( )" represents part number position.

Product (1-2)	Material (3-4)	Size (5)	Hanger Style (6)	Length (7-9)	Polish Options (10-11)
HS Hanger Supporting Assembly	H- 316 Stainless Steel	A 8 thru 10	T Top Mounted from Ceiling	XYZ X = Feet; YZ - Inches	-- 50 R <sub>a</sub> Finish (Standard)
		D 15 thru DN 50		EXAMPLES	A- 20 R <sub>a</sub> Mirror Finish
		H ISO 50 thru 80	B Bottom Mount from Floor (Square Tube)	006 6" (base mount adjustable from 6" to 10")	-M 50 R <sub>a</sub> Finish + Electro Polish
		L 100 DIN + ISO		AM 20 R <sub>a</sub> Mirror Finish + Electro Polish	
		M 150 DIN + ISO	W Wall Mount	110 1'10" (base mount adjustable from 1'10" to 3'6")	

Ordering Example

Series	Material	Size	Hanger Style	Length	Polish Option
HS	H-	D	T	006	A-
Hanger Support Assembly	316 Stainless Steel	15 thru DN 50	Top Mount from Ceiling	6"	Mechanically Polished to 20 R <sub>a</sub> Mirror Finish



**Housing**

HOUSING SIZE	SIZE	HANGER BODY TOP	HANGER BODY BOTTOM, UNTAPPED	"HALFMOON" BODY TOP	HANGER BODY BOTTOM, TAPPED
C	1/4" thru 3/4"	HGH-C-01T-	HGH-C-02T-	HGH-C-01B-	HGH-C-01S-
E	3/4" thru 1-1/4"	HGH-E-01T-	HGH-E-02T-	HGH-E-01B-	HGH-E-01S-
H	1-1/4" thru 2"	HGH-H-01T-	HGH-H-02T-	HGH-H-01B-	HGH-H-01S-
K	2" thru 3"	HGH-K-01T-	HGH-K-02T-	HGH-K-01B-	HGH-K-01S-
L	4"	HGH-L-01T-	HGH-L-02T-	HGH-L-01B-	HGH-L-01S-
M	6"	HGH-M-01T-	HGH-M-02T-	HGH-M-01B-	HGH-M-01S-

The Hanger Body Top is used for the Top Hanger Assembly. The Hanger Body Bottom, Untapped is used for the Top Hanger Assembly. The "Halfmoon" Body Top is used for the Bottom Mount Assembly and Wall Mount Assembly. The Hanger Body Bottom, Tapped is used for the Bottom Mount Assembly, and Multi-Mount Assembly.

Standard Material for Housings is T316 Stainless Steel. Standard Surface Finish is 35 Ra. Other Materials are available. Please Consult Factory for details.

**Grommet**

GROMMET SIZE	SIZE	TUBE PART NUMBER	PIPE PART NUMBER	COPPER TUBE PART NUMBER
C	1/4"	HGSLAF23	HGSLAB08	HGSLAT23
	3/8"	HGSLBF23	HGSLBB08	HGSLBT08
	1/2"	HGSLCF08	HGSLCB08	HGSLCT08
	3/4"	HGSLDF08		HGSLDT08
E	3/4"		HGSLDB08	
	1"	HGSLEF08	HGSLEB08	HGSLET08
H	1-1/4"	HGSLFF08		HGSLFT08
	1-1/2"	HGSLGF08	HGSLFB08	HGSLGT08
	2"	HGSLHF08	HGSLGB08	HGSLHT08
K	2"		HGSLHB08	
	2-1/2"	HGSLJF08	HGSLJB08	HGSLJT08
L	3"	HGSLKF08	HGSLKB08	HGSLKT08
	4"	HGSLLF08	HGSLLB08	HGSLLT08
M	6"	HGSLMF08	HGSLMB08	HGSLMT08

Standard Material for Grommets is Silicone, 70 Durometer. Other Materials are available. Please Consult Factory for details.

**Slider Grommet**

GROMMET SIZE	SIZE	TUBE PART NUMBER	PIPE PART NUMBER	COPPER TUBE PART NUMBER
C	1/4"	HGVTAF24	HGVTAB24	HGVTAT24
	3/8"	HGVTBF24	HGVTBB24	HGVTBT24
	1/2"	HGVTCF24	HGVTCB24	HGVTCT24
	3/4"	HGVTDF24		HGVTDT24
E	3/4"		HGVTDB24	
	1"	HGVTEF24	HGVTEB24	HGVTET24
H	1-1/4"	HGVTEF24		HGVTFT24
	1-1/2"	HGVTGF24	HGVTGB24	HGVTGT24
	2"	HGVTHF24		HGVTHT24
K	2"		HGVTHB24	
	2-1/2"	HGVTJF24	HGVTJB24	HGVTJT24
L	3"	HGVTKF24	HGVTKB24	HGVTKT24
	4"	HGVTLF24	HGVTLB24	HGVTLT24
M	6"	HGVTMF24	HGVTMB24	HGVTMT24

Standard Material for Slider Grommets is Teflon. Other Materials are available. Please Consult Factory for details.



**All Threaded Rod**

HOUSING SIZE	ALL THREADED ROD PART NUMBER
C	HGK-C-29
E	HGK-E-29
H	HGK-H-29
K	HGK-K-29
L	HGK-L-29
M	HGK-M-29

Standard Material for All Thread Rod is 18-8 Stainless Steel.

HOUSING SIZE	ACORN NUT PART NUMBER
C	HWDKCEXN
E	HWDKCEXN
H	HWDKCFXN
K	HWDKCFXN
L	HWDKCGXN
M	HWDKCIXN

Standard Material for Acorn Nut is 18-8 Stainless Steel.



# HI-CLEAN™ PLASTIC SERIES

**Supports:** For use with Process, Food and Pharmaceutical Applications

**Specifications**

- Smooth Clamping Surface for Sanitary, Clean in Place (CIP) Installations
- Body Material
  - Polypropylene (PP-Blue)
  - Santoprene (SA-Natural)
  - UHMW (special order)
- Support Hardware
  - 304 Stainless Steel
  - 316 Stainless Steel (special order)
  - Zinc Plated Carbon Steel (special order)
- Modular Design for Multiple Mounting Configurations
- Santoprene (SA) is FDA Approved
- Hardware Compatible with Standard Series Clamps



**Hi-Clean Support Bodies**

GRP	SIZE	O. D.	H	L	POLYPROPYLENE	SANTOPRENE
3	1/4" T	0.25"	1.40"	1.96"	3064 PPC	3064 SAC
	3/8" T	0.375"			3095 PPC	3095 SAC
	1/2" T	0.50"			3127 PPC	3127 SAC
	3/4" T	0.75"			3190 PPC	3190 SAC
	1/2" P	0.84"			3213 PPC	3213 SAC
	1" T	1.00"			3254 PPC	3254 SAC
6	1/4" T	0.25"	2.53"	3.38"	6064 PPC	6064 SAC
	1/2" T	0.50"			6127 PPC	6127 SAC
	5/8" T	0.625"			6160 PPC	6160 SAC
	3/4" T	0.75"			6190 PPC	6190 SAC
	1/2" P	0.84"			6213 PPC	6213 SAC
	7/8" T	0.875"			6222 PPC	3222 SAC
	1" T	1.00"			6254 PPC	6254 SAC
	3/4" P	1.05"			6266 PPC	6266 SAC
	1" P	1.315"			6334 PPC	6334 SAC
	1 1/2" T	1.50"			6381 PPC	6381 SAC
	1 1/2" P	1.90"			6483 PPC	6483 SAC
	2" T	2.00"			6508 PPC	6508 SAC
7L	2" T	2.00"	4.26"	5.04"	7508 LPPC	7508 LSAC
	2" P	2.375"			7603 LPPC	7603 LSAC
	2 1/2" T	2.50"			7635 LPPC	7635 LSAC
	2 1/2" P	2.875"			7730 LPPC	7730 LSAC
	3" T	3.00"			7762 LPPC	7762 LSAC
8L	4" T	4.00"	4.56"	5.75"	8102 LPPC	8102 LSAC
9L	6" T	6.00"	7.52"	8.85"	9152 LPPC	9152 LSAC

P = Pipe T = Tube

Other sizes and materials available on request.

	GROUP	PART #	DIMENSIONS		
			L	C	T
<b>STANDARD WELD PLATE (SP)</b> * SP9L has 3/8-16 UNC Thread † SP9L width is 1.38"  For Weld in Place Use	3	SP3-UW4	1.97"	1.30"	0.11"
	6	SP6-UW4	3.48"	2.60"	0.11"
	7L	SP7L-UW4	5.00"	4.25"	0.11"
	8	SP8-UW4	5.75"	4.72"	0.19"
	9L	SP9L-UW4	8.75"	7.67"	0.31"
<b>ROUNDED CORNER WELD PLATE (SPR)</b> * SPR9L has 3/8-16 UNC Thread † SPR9L width is 1.38"  For Suspension Use	3	SPR3-UW4	1.97"	1.30"	0.11"
	6	SPR6-UW4	3.48"	2.60"	0.11"
	7L	SPR7L-UW4	5.00"	4.25"	0.11"
	8	SPR8-UW4	5.75"	4.72"	0.19"
	9L	*	*	*	*
<b>BASE PLATE (SPV)</b>  For Bolt or Weld in Place	3	SPV3-UW4	3.07"	1.30"	0.11"
	6	SPV6-UW4	4.52"	2.60"	0.11"
	7L	SPV7L-UW4	6.50"	4.25"	0.11"
	8	*	—	—	—
	9L	*	—	—	—
<b>TRANSFER PLATE (TDP)</b> * TDP9L has ø7/16" THRU  For Stacking Different Clamp Groups	3/6	TDP3-UW4	3.38"	2.60"	0.11"
	6/7	TDP6-UW4	5.00"	4.25"	0.11"
	7L/3	TDP7L-UW4	5.00"	4.25"	0.11"
	8	*	—	—	—
	9L	*	—	—	—
<b>SWIVEL PLATE (SDP)</b> * SDP9L has ø7/16" THRU  For Hanging	3	SDP3-UW4	1.89"	1.30"	0.20"
	6	SDP6-UW4	3.38"	2.60"	0.20"
	7L	SDP7L-UW4	5.00"	4.25"	0.20"
	8	SDP8-UW4	5.75"	4.72"	0.25"
	9L	*	—	—	—
<b>HEX BOLT (ASDP)</b> 	3	AS3-UW4	1.50"	1/4"-20 UNC	—
	6	AS6-UW4	2.75"	1/4"-20 UNC	—
	7L	AS7L-UW4	4.375"	1/4"-20 UNC	—
	8	AS8-UW4	4.875"	1/4"-20 UNC	—
	9L	AS9L-UW4	8.00"	3/8"-16 UNC	—
<b>HANG PLATE (SHP)</b>  For Hanging	3	SHP3-UW4	1.95"	1.30"	0.20"
	6	SHP6-UW4	3.38"	2.60"	0.20"
	7L	SHP7L-UW4	5.00"	4.25"	0.20"
	8	SHP8-UW4	5.75"	4.72"	0.25"
	9L	*	—	—	—

\* Consult factory

	GROUP	PART #	DIMENSIONS		
			L	C	T
<b>COVER PLATE (DP)</b> * DP9L has ø7/16" THRU † DP9L width is 1.38"  For Weld in Place Use	3	DP3-W4	1.89"	1.30"	0.11"
	6	DP6-W4	3.38"	2.60"	0.11"
	7L	DP7L-W4	5.00"	4.25"	0.11"
	8	DP8-W4	5.67"	4.72"	0.19"
	9L	DP9L-W4	8.75"	7.67"	0.16"
<b>SAFETY PLATE (SIG)</b> 	3	SIG3-W4	1.85"	—	0.03"
	6	SIG6-W4	3.34"	—	0.03"
	7L	SIG7L-W4	5.00"	—	0.03"
	8	*	—	—	0.03"
	9L	*	—	—	—
<b>STACKING BOLT (AF)</b> 	3	AF3-UW4	1.73"	—	—
	6	AF6-UW4	2.91"	—	—
	7L	AF7L-UW4	4.57"	—	—
	8	*	—	—	—
	9L	*	—	—	—

\* Consult factory

## Accessories for Hi-Clean Support Installation

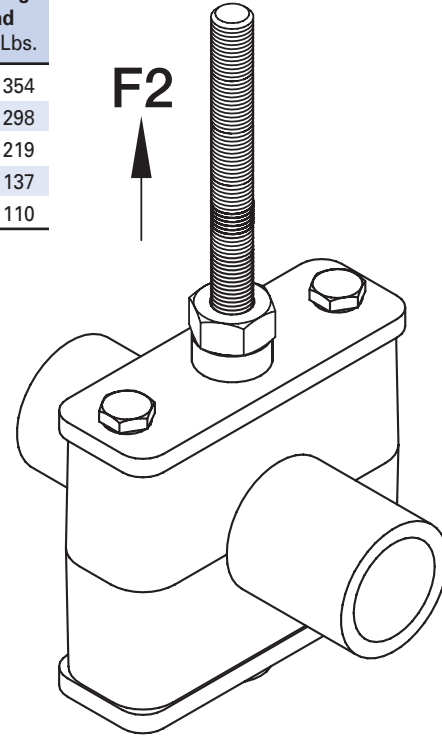
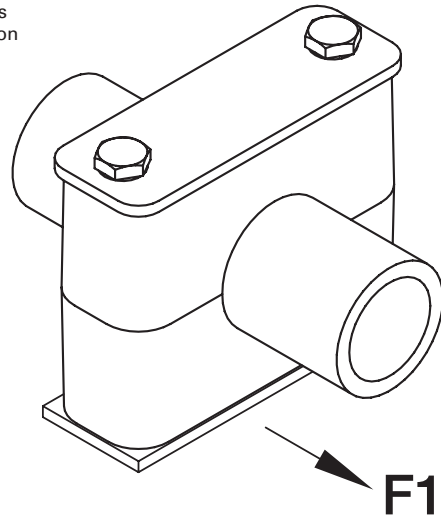
 HEXAGON RAIL NUT PART#: SM1-8/1D-UW4 * Group 3-8 only	 HEX LOCK NUT PART#: SLN-UW4	 CLAMP SPACER (SEG) PART#: SEG-X-SAC-XXX STAUFF GROUP   TUBE / PIPE-O.D. Use For "Sliding" Installations
 CEILING MOUNTING PLATE PART#: SCP-UW4	 MOUNTING RAIL PART#: TS11-1-W4 (3.3') PART#: TS11-2-W4 (6.6')	 THREADED ROD STANDARD LENGTH 6 FT SPECIAL LENGTHS MADE TO ORDER PART#: THR-6-UW4



**Hi-Clean Clamps Maximum Load in Pipe Direction (F1)  
Hanging Load Rating for Hang Plate / Swivel Plate Assemblies (F2)**

HI-CLEAN SERIES											
STAUFF Group	Hexagon Hex Bolt (AS)	Polypropylene				Santoprene					
		Tightening Torque [Nm] Ft/Lb		Max Load in Pipe Direction [kN] Lbs.		Tightening Torque [Nm] Ft/Lb		Max Load in Pipe Direction [kN] Lbs.			
3	1/4"-20UNC	8	6	0.35	79	1.6	354	8	6	0.13	29
6	1/4"-20UNC	8	6	0.31	70	1.3	298	8	6	0.13	29
7L	1/4"-20UNC	8	6	0.3	67	1	219	8	6	0.13	29
8	1/4"-20UNC	8	6	0.25	56	0.6	137	8	6	0.18	40
9L	1/4"-20UNC	12	9	0.24	54	0.5	110	12	9	0.2	45

Safety Factor for Hanging Loads is a 4:1 Ratio. Due to Flow Behavior in Santoprene, it is recommended to use Locktite on Hexagon Hex Bolt (AS) threads in conjunction with the Tightening Torque.



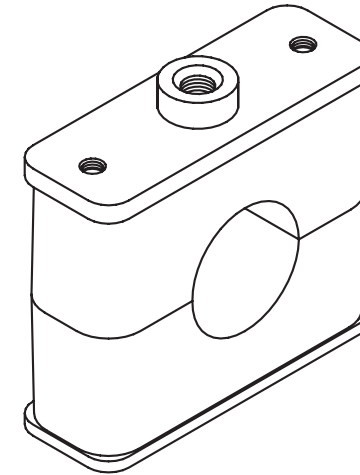
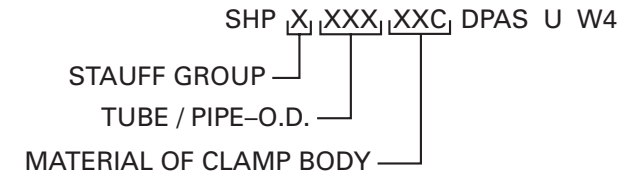
Technical Notes

Properties of Clamp Body Materials

MATERIAL PROPERTIES	POLYPROPYLENE PP Color: Blue	SANTOPRENE SA Color: Natural
<b>MECHANICAL PROPERTIES</b>		
Flexural Deflection	36 N/mm <sup>2</sup>	
Impact Resistance	no failure	
Compressive Strength	Hardness: 66 Shore D	Hardness: 50 Shore D
Modulus of Elasticity	1073 N/mm <sup>2</sup>	10 N/mm <sup>2</sup>
Tensile Stress	25 N/mm <sup>2</sup>	27.6 N/mm <sup>2</sup>
<b>THERMAL PROPERTIES</b>		
Maximum Temperature	-22° to +215° F	-40° to +425° F
- Brief Exposure	-30° to +102° C	-40° to +218° C
Operating Temperature	-22° to +194° F	-40° to +210° F
- Continuous Exposure	-30° to +90° C	-40° to +99° C
<b>CHEMICAL PROPERTIES</b>		
Weak Acids, Solvents	conditionally consistent	conditionally consistent
Benzene, Mineral Oils	conditionally consistent	conditionally consistent
Alcohol, Other Oils, Seawater	consistent	consistent

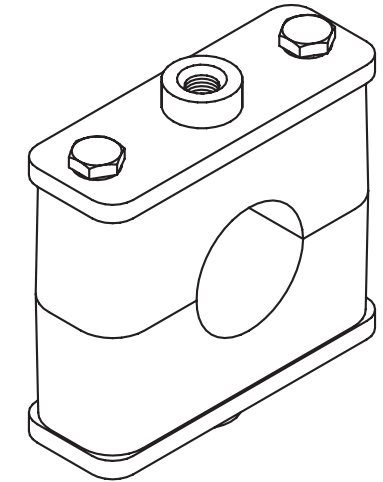
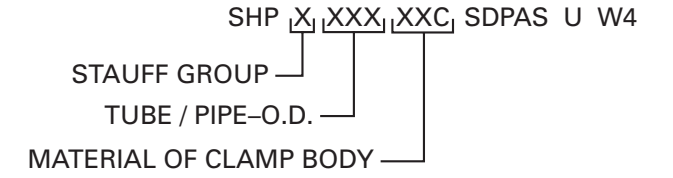
Contact factory for further information.

**Hi-Clean Assembly Hang Plate / Cover Plate Style**



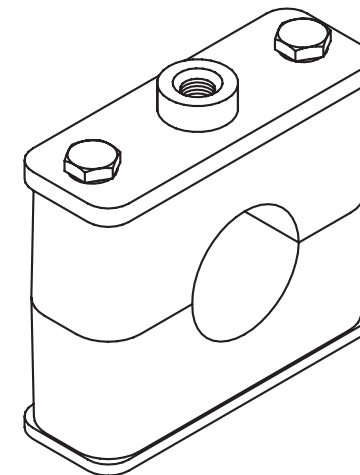
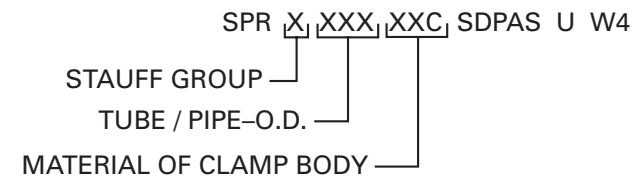
- Clamp Consisting of:**
- 1x Hang Plate
  - 1x Clamp Body (2 Halves)
  - 1x Cover Plate
  - 2x Hex Head Bolt

**Hi-Clean Assembly Hang Plate / Swivel Plate Style**



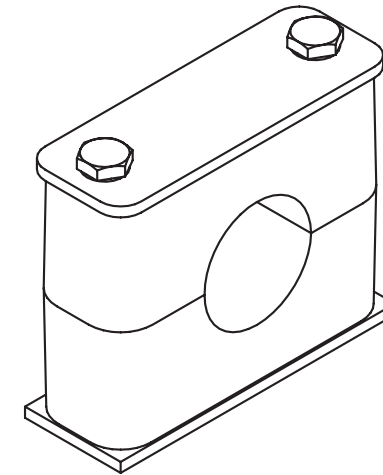
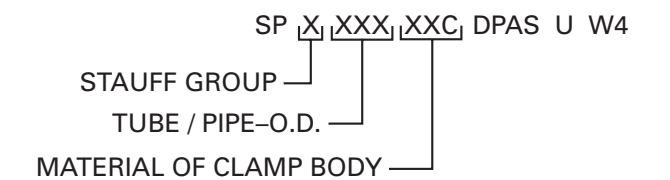
- Clamp Consisting of:**
- 1x Hang Plate
  - 1x Clamp Body (2 Halves)
  - 1x Swivel Plate
  - 2x Hex Head Bolt

**Hi-Clean Assembly Rounded Weld Plate / Swivel Plate Style**



- Clamp Consisting of:**
- 1x Rounded Weld Plate
  - 1x Clamp Body (2 Halves)
  - 1x Swivel Plate
  - 2x Hex Head Bolt

**Hi-Clean Assembly Weld Plate / Cover Plate Style**



- Clamp Consisting of:**
- 1x Weld Plate
  - 1x Clamp Body (2 Halves)
  - 1x Cover Plate
  - 2x Hex Head Bolt