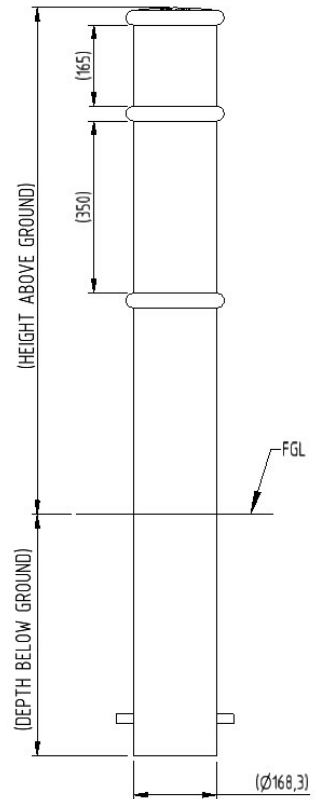




GFC 6000
1000mm

Galvanised or Galvanised & Colour



A substantial bollard with a clean appearance, the GFC 6000 Ornamental Bollard is constructed from mild steel and galvanised to ensure its longevity. Caps and rings of cast iron are welded on to the steel body to complete the design

The bollards are available in a galvanised and a galvanised and coated finish. RAL/BS numbers must be specified at time of order. Supplied Concrete in as standard, Bolt down and Removable versions are also available.

For additional security the bollard can be filled with either, or both, concrete or an additional steel core (ragged only). Eyelets, hooks and chains can be added to these bollards to complete the decorative effect. Please ask for more information.

<u>Part Number</u>	<u>Description</u>	<u>Lift Weight (kg)</u>	<u>Weight (kg)</u>
138 120 091	Galvanised - Concrete In		38kg
138 120 092	Galvanised & Black - Concrete In		38kg
138 120 093	Galvanised & Colour - Concrete In		38kg
138 120 094	Galvanised - Bolt Down		38kg
138 120 095	Galvanised & Black - Bolt Down		38kg
138 120 096	Galvanised & Colour - Bolt Down		38kg
138 120 097	Galvanised - Removable	38kg	51kg
138 120 098	Galvanised & Black - Removable	38kg	51kg
138 120 099	Galvanised & Colour - Removable	38kg	51kg

Product details

- 1000mm height above ground
- 168mm diameter
- 5mm wall thickness
- Concrete in 500mm (below ground)
- Price excludes fixing down bolts and padlock to secure
- Socket - 300mm (below ground)

Installation & use

Bolt down to a suitable concrete surface.

Telescopic, removable and concrete in are supplied with welded fixing spikes to ensure firm ground anchorage into concrete.

Telescopic, removable and concrete in require a suitable excavated hole for installing into concrete.

Products are guaranteed for 12 months (if installed and used correctly).



www.autopa.co.uk
+44 (0)1788 550556

AUTOPA Limited
Cottage Leap, Rugby, Warwickshire CV21 3XP

