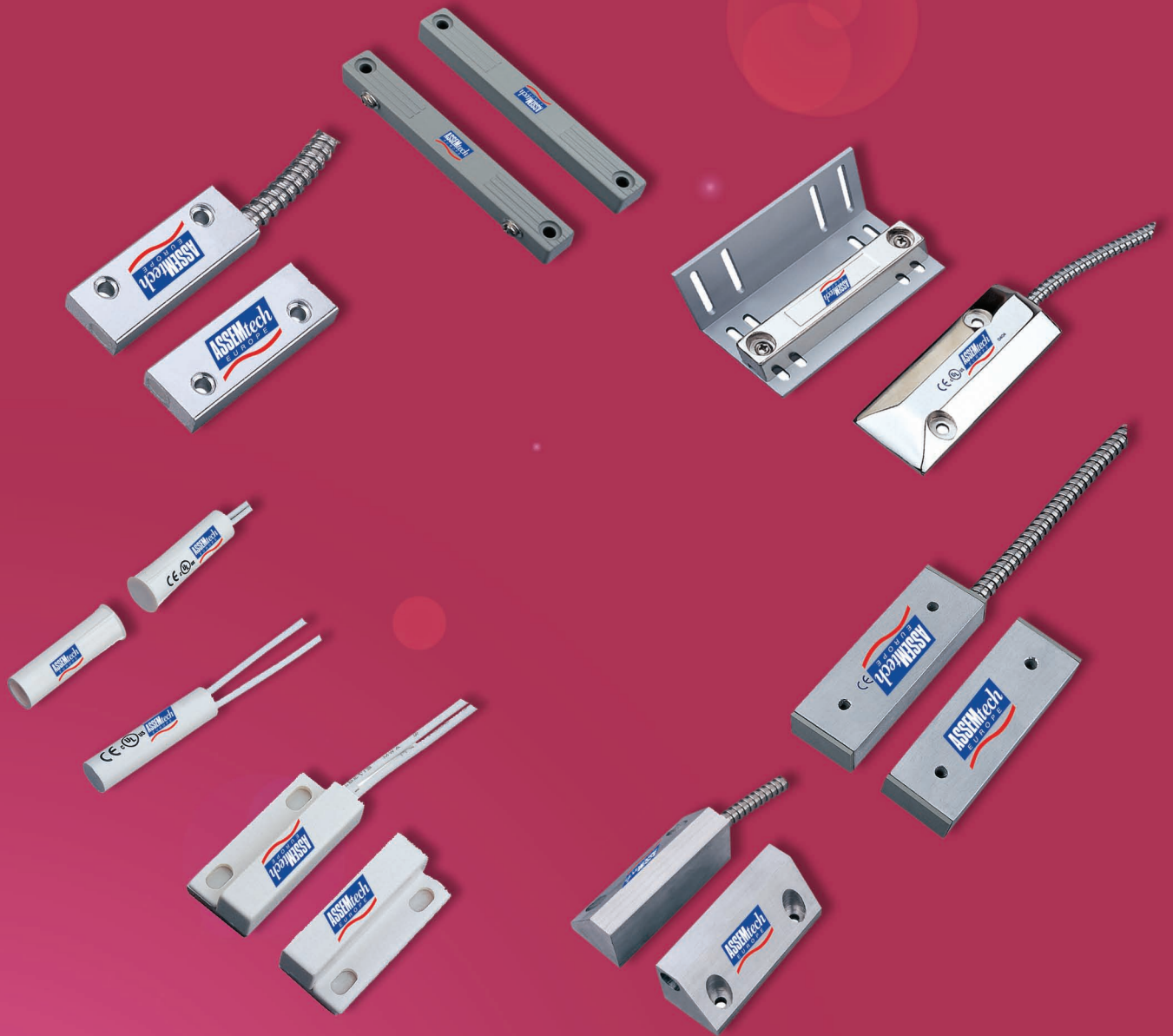


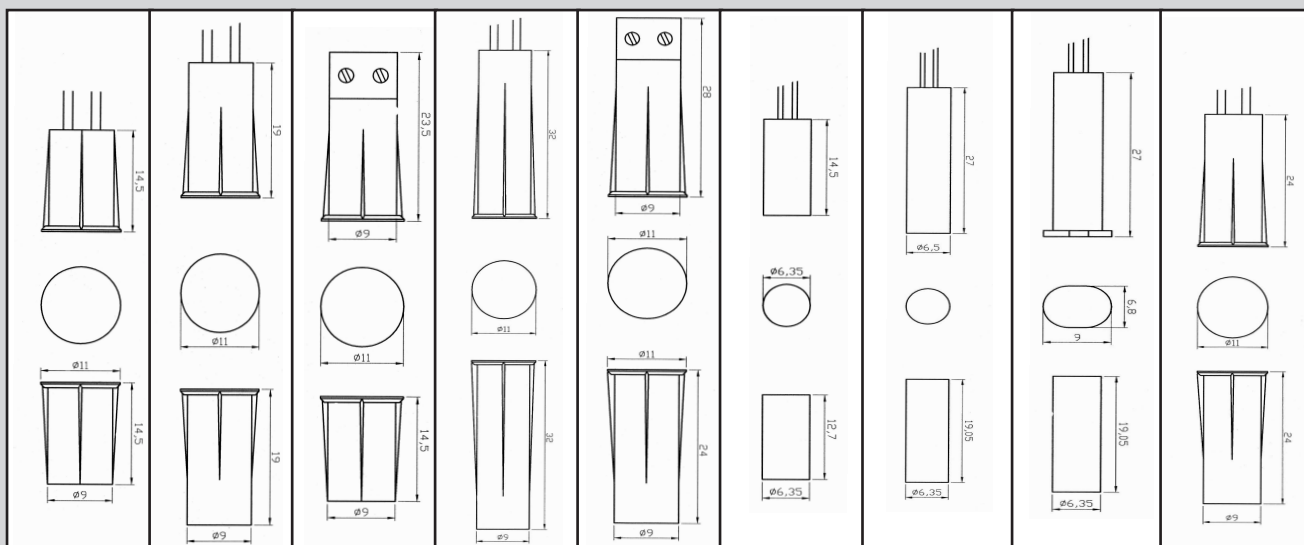
# Alarm and Security Switches





# The Comus Group of Companies

## Recessed Mount Switches



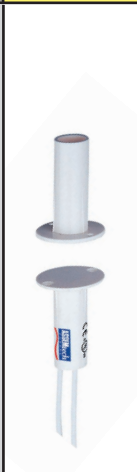







Part Number	MCS-100	MCS-101	MCS-102	MCS-103	MCS-104	MCS-105	MCS-106	MCS-107	MCS-108
Options & Features	Available in White, Brown & Grey	Available in White, Brown & Grey	Terminal block connection Available in White, Brown & Grey	Available in White, Brown & Grey	Terminal block connection Available in White, Brown & Grey	Available in White, Brown & Grey	Available in White, Brown & Grey	Flanged to ease installation Available in White, Brown & Grey	Flanged to ease installation Available in White, Brown & Grey
Reed Form	N/O	N/O	N/O	N/O, N/C, SPDT	N/O, N/C	N/O	N/O, SPDT	N/O, SPDT	N/O, N/C, SPDT
Loop Type	Closed	Closed	Closed	Closed or Open	Closed or Open	Closed	Closed or Open	Closed or Open	Closed or Open
Suggested Magnet (See magnets)	M4, M6	M3, M4, M5, M6, M13	M1, M3	M3, M4, M6	M3	M5	M7	M7	M1, M3, M4, M6
Switching Distances Available (mm)	16, 19, 25	16, 19, 20, 25, 28, 32	19, 31, 35	15, 19, 22, 25, 31, 37	19, 23, 37	19	20, 25	20, 25	19, 25, 28, 32
Switching Capacity Max. W/VA	10	10	10	3 or 10	3 or 10	10	3 or 10	3 or 10	3 or 10
Switching Voltage Max. VAC	100	100	100	30 or 100	30 or 100	100	30 or 100	30 or 100	30 or 100
Switching Current Max. A	0.5	0.5	0.5	0.2 or 0.5	0.2 or 0.5	0.5	0.5	0.2 or 0.5	0.2 or 0.5
Contact Resistance Max (mOhms)	200	150	150	150	150	150	150	150	150
Cable Length Dia (mm)	450 / 0.65	450 / 0.65	450 / 0.65	450 / 0.65	450 / 0.65	450 / 0.65	450 / 0.65	450 / 0.65	450 / 0.65





# The Comus Group of Companies

## Recessed Mount Switches

Part Number	MCS-109	MCS-110	MCS-111	MCS-112	MCS-113	MCS-114	MCS-115	MCS-116
Options & Features	Flanged to ease installation Available in White, Brown & Grey Supervisory loop available	Flanged to ease installation Available in White, Brown & Grey Supervisory loop available	Flanged to ease installation Self locking Available in White, Brown & Grey Supervisory loop available	Flanged to ease installation Self locking Terminal block connection Available in White, Brown & Grey	Flanged to ease installation Self locking Available in White, Brown & Grey Supervisory loop available	Works from 360° direction Available in White or Brown Spacer and screws supplied Supervisory loop available	Available in White or Brown Spacer and screws supplied Lead or terminal block connection	Available in White or Brown Spacer and screws supplied Lead or terminal block connection
Reed Form	N/O, N/C, SPDT	N/O, N/C, SPDT	NO, NC, SPDT, 2SPDT	N/O, N/C	NO, NC, SPDT, 2SPDT	N/O, N/C, SPDT	N/O	N/O, N/C, SPDT
Loop Type	Closed or Open	Closed or Open	Closed or Open	Closed or Open	Closed or Open	Closed or Open	Closed	Closed or Open
Suggested Magnet (See magnets)			Optional M13	Optional M13				
Switching Distances Available (mm)	19,25	19,25	12,15 19,25	13,15,19 23(in wood)	19,22,26	6mm Gap	6mm Gap	6.3mm Gap
Switching Capacity Max. W/VA	3 or 10	3 or 10	3 or 7.5	3 or 7.5	3 or 7.5	3 or 10	10	3 or 10
Switching Voltage Max. VAC	30 or 100	30 or 100	30 or 100	30 or 100	30 or 100	30 or 100	100	30 or 100
Switching Current Max. A	0.2 or 0.5	0.2 or 0.5	0.2 or 0.4	0.2 or 0.4	0.2 or 0.4	0.2 or 0.5	0.5	0.2 or 0.5
Contact Resistance Max (mOhms)	150	150	150	150	150	150	150	150
Cable Length Dia (mm)	450 / 0.65	450 / 0.65	450 / 0.65	450 / 0.65	450 / 0.65	450 / 0.65	450 / 0.65	450 / 0.65
								

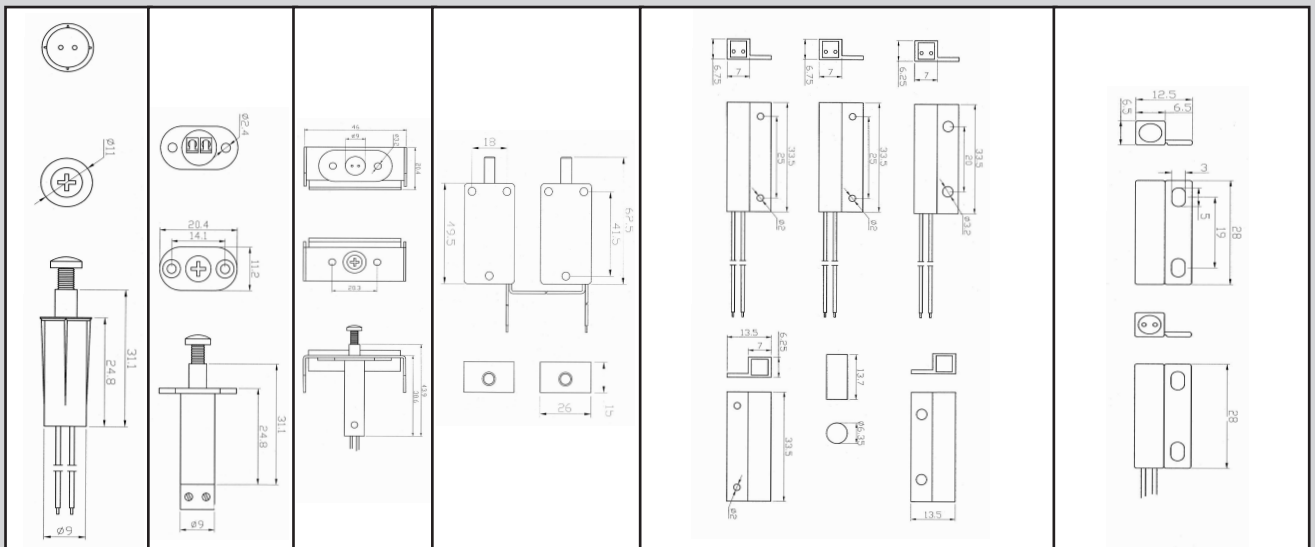


# The Comus Group of Companies

Plunger  
Switches

Tamper  
Switches

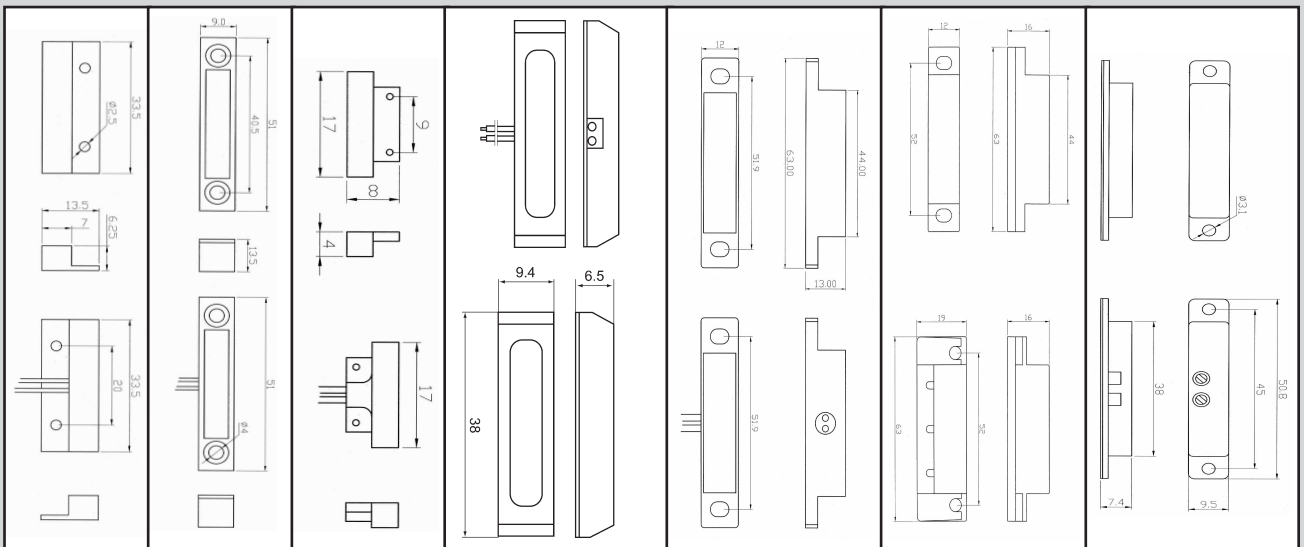
Mini Surface  
Mount Switches



Part Number	MCS-117	MCS-118	MCS-119	MCS-120	MCS-121	MCS-122
Options & Features	Adjustable Screw Available in White, Brown & Grey Screws included	Adjustable Screw with flange Available in White, Brown & Grey Screws included	Adjustable Screw from 1/4" to 1/2" Available in White, Brown & Grey Screws included	Tamper switch for drawers or panels High impact white plastic case	Mini self adhesive with flange Available in White, Brown & Grey Screws included	Mini self adhesive with flange Available in White, Brown & Grey Screws included
Reed Form	N/O	N/O, N/C	N/O, N/C	N/O	N/O, N/C, SPDT	N/O, N/C, SPDT
Loop Type	Closed	Closed or Open	Closed or Open	Closed	Closed or Open	Closed or Open
Suggested Magnet (See magnets)					M5	M1
Switching Distances Available (mm)	6.2mm Gap	6.2mm Gap	6.35mm Gap	12mm Travel	24,25,31	19,24,25
Switching Capacity Max. W/VA	10	3 or 10	3 or 10	10	3 or 10	3 or 10
Switching Voltage Max. VAC	100	30 or 100	30 or 100	100	30 or 100	30 or 100
Switching Current Max. A	0.5	0.2 or 0.5	0.2 or 0.5	0.5	0.2 or 0.5	0.2 or 0.5
Contact Resistance Max (mOhms)	150	150	150	150	150	150
Cable Length Dia (mm)	450 / 0.65	450 / 0.65	450 / 0.65	Wire range for terminal 0.25-0.51	450 / 0.65	450 / 0.51



## Surface Mount Switches



Part Number	MCS-123	MCS-124	MCS-125	MCS-126	MCS-127	MCS-128	MCS-129
Options & Features	Mini self adhesive with flange Available in White, Brown & Grey Screws included	Screw mount or self adhesive Available in White, Brown & Grey Supervisory loop available	Ultra Mini self adhesive with flange Available in White, Brown & Grey Strong tape included	Surface mount without flange Available in White, Brown & Grey Super Strong tape included	Surface mount, centre leads Available in White, Brown & Grey Supervisory loop available	Surface mount concealed terminals Available in White, Brown & Grey BS-2025 leads available Supervisory loop available	Quick connect terminals Screw mount or non flanged Adhesive mount Breakaway flanges Available in White, Brown & Grey
Reed Form	N/O, N/C, SPDT	N/O, N/C, SPDT	NO	N/O, N/C, SPDT	NO, NC, SPDT, 2SPDT	N/O, N/C SPDT	N/O, N/C
Loop Type	Closed or Open	Closed or Open	Closed	Closed or Open	Closed or Open	Closed or Open	Closed or Open
Suggested Magnet (See magnets)							
Switching Distances Available (mm)	24	28,30,37	13	23,24	25,31	30,31	24,25
Switching Capacity Max. W/VA	3 or 10	3 or 10	10	3 or 10	3 or 10	3 or 10	3 or 10
Switching Voltage Max. VAC	30 or 100	30 or 100	100	30 or 100	30 or 100	30 or 100	30 or 100
Switching Current Max. A	0.2 or 0.5	0.2 or 0.5	0.5	0.2 or 0.5	0.2 or 0.5	0.2 or 0.5	0.2 or 0.5
Contact Resistance Max (mOhms)	150	150	150	150	150	150	150
Cable Length Dia (mm)	450 / 0.65	450 / 0.65	450 / 0.51	450 / 0.65	450 / 0.65	Wire range for terminal 0.25-0.51	Wire range for terminal 0.25-0.51

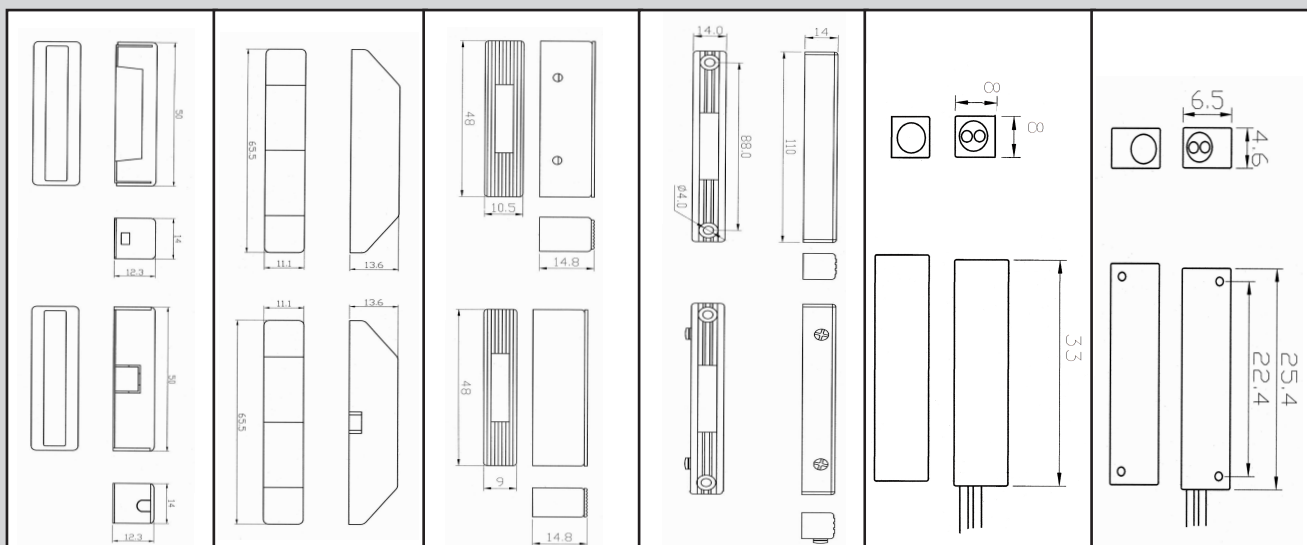






# The Comus Group of Companies

## Surface Mount Switches



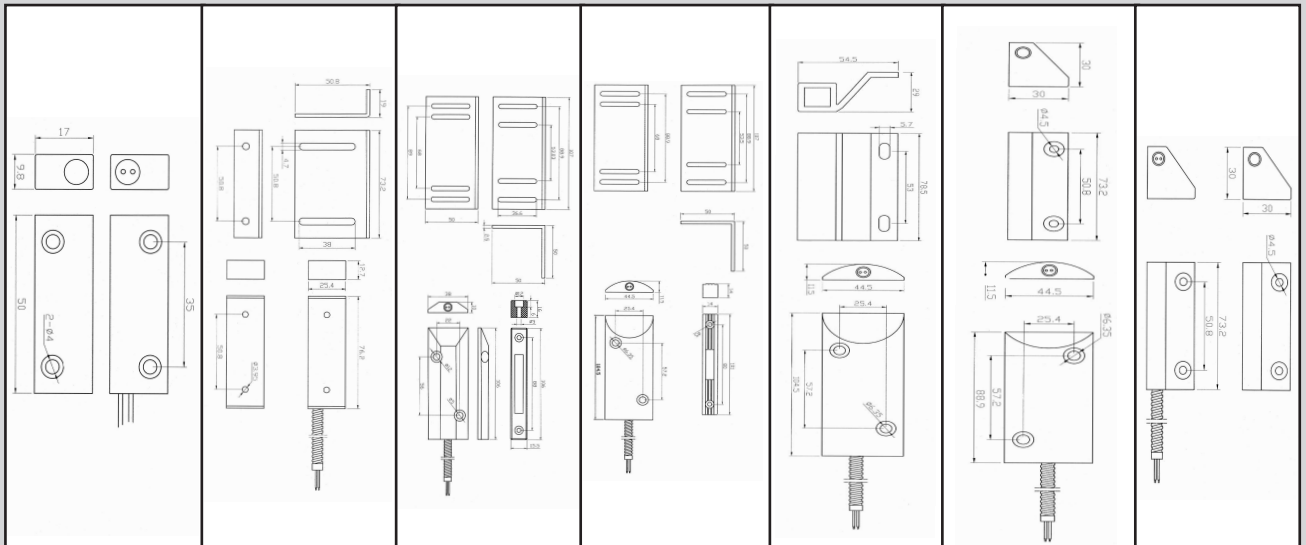
Part Number	MCS-130	MCS-131	MCS-132	MCS-133	MCS-134	MCS-135
Options & Features	Screw mount Cover hides screws & terminals Concealed or surface wiring Available in White, Brown & Grey	Screw mount Cover hides screws & terminals Concealed or surface wiring Available in White, Brown & Grey	Screw mount Cover hides screws & terminals Concealed or surface wiring. Adhesive tape available. Available in White, Brown & Grey	Screw mount Spacer included 2 Conductor jacket cable on request (BSI-2041P) BK03 bracket available Available in White, Brown & Grey	Self adhesive Super strong adhesive Supervisory loop available Available in White, Brown & Grey	Self adhesive Super strong adhesive or nail mountable Available in White, Brown & Grey
Reed Form	N/O, N/C, SPDT	N/O, N/C	N/O, N/C	N/O, N/C, SPDT	N/O, N/C, SPDT	N/O
Loop Type	Closed or Open	Closed or Open	Closed or Open	Closed or Open	Closed or Open	Closed
Suggested Magnet (See magnets)						
Switching Distances Available (mm)	28, 30	19, 25, 31	25, 30	50, 651	25	12
Switching Capacity Max. W/VA	3 or 10	3 or 10	3 or 10	3 or 10	3 or 10	10
Switching Voltage Max. VAC	30 or 100	30 or 100	30 or 100	30 or 100	30 or 100	100
Switching Current Max. A	0.2 or 0.5	0.2 or 0.5	0.2 or 0.5	0.2 or 0.5	0.2 or 0.5	0.5
Contact Resistance Max (mOhms)	150	150	150	150	150	150
Cable Length Dia (mm)	Wire range for terminal 0.25-0.51	Wire range for terminal 0.25-0.51	Wire range for terminal 0.20-0.51	Wire range for terminal 0.25-0.51	450 / 0.65	450 / 0.51





# The Comus Group of Companies

## Metal Surface Mount Switches



Part Number	MCS-136	MCS-137	MCS-138	MCS-139	MCS-140	MCS-141	MCS-142
Options & Features	Metal switch ideal for industrial use Screws included Armoured cable on request 2 conductor jacket cable on request (BS-2071J)	Metal switch ideal for chain linked fence Bracket included Weather resistant Aluminium housing 2 conductor jacket cable on request (BS-2071J)	Cast Aluminium case for harsh environment optional 'L' bracket Supervisory loop available	Extruded Aluminium case for harsh environment Low cost optional 'L' bracket Supervisory loop available	Mini floor mount, Universal magnet for flexible mounting Jacket cable available - BSD3013-JK Supervisory loop available	Low cost, Heavy duty Aluminium housing Jacket cable available BSD3014-JK Optional 'L' bracket Supervisory loop available	Small size Heavy duty Aluminium housing Jacket cable available - BSD3014-JK Supervisory loop available
Reed Form	N/O, N/C, SPDT, 2SPDT	N/O, N/C, SPDT, 2SPDT	NO, N/C, SPDT, 2SPDT	N/O, N/C, SPDT, 2SPDT	NO,NC,SPDT,2SPDT	N/O, N/C, SPDT, 2SPDT	NO,NC,SPDT,2SPDT
Loop Type	Closed or Open	Closed or Open	Closed or Open	Closed or Open	Closed, Open, DPDT	Closed, Open DPDT	Closed, Open DPDT
Suggested Magnet (See magnets)							
Switching Distances Available (mm)	32,38	65,75,90	65,75,90	65, 75,90	65,75,90	65,75,90	65,75,90
Switching Capacity Max. W/VA	3 or 7.5	3 or 7.5	3 or 7.5	3 or 7.5	3 or 7.5	3 or 7.5	3 or 7.5
Switching Voltage Max. VAC	30 or 100	30 or 100	30 or 100	30 or 100	30 or 100	30 or 100	30 or 100
Switching Current Max. A	0.2 or 0.4	0.2 or 0.4	0.2 or 0.4	0.2 or 0.4	0.2 or 0.4	0.2 or 0.4	0.2 or 0.4
Contact Resistance Max (mOhms)	150	150	150	150	150	150	150
Cable Length Dia (mm)	450 / 0.65 560mm Armoured	560mm long Armoured	560mm long Armoured	560mm long Armoured	560mm long Armoured	560mm long Armoured	560mm long Armoured



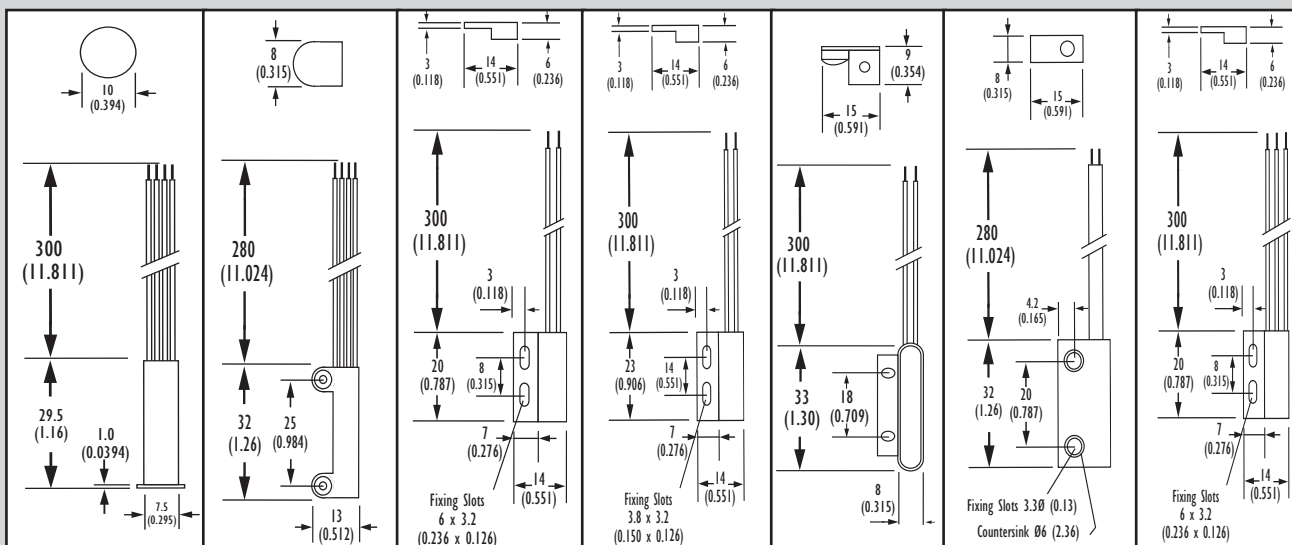


# The Comus Group of Companies

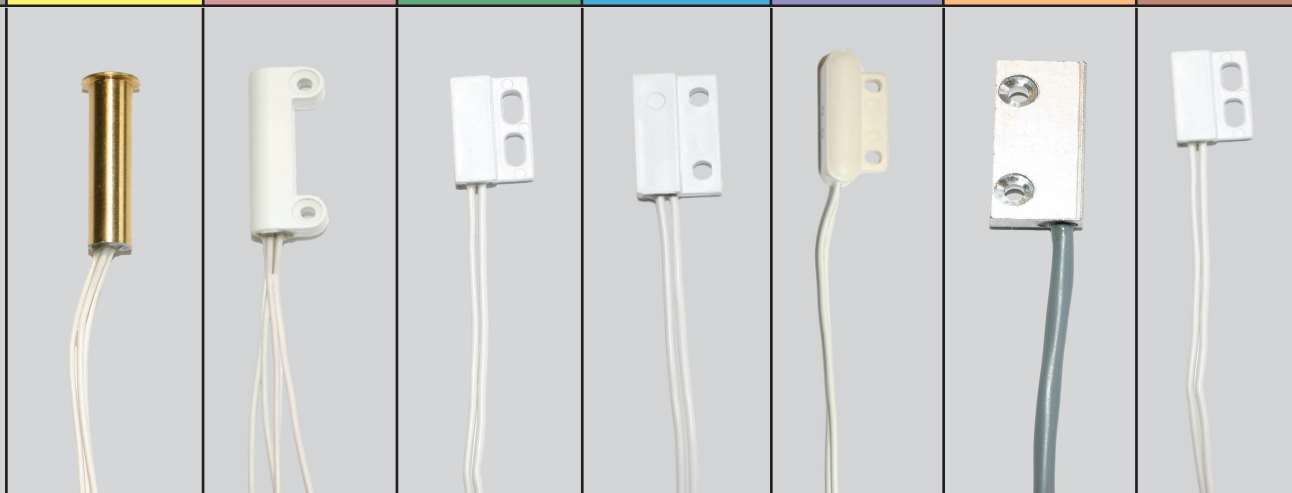
Recessed  
Mount Switches

Surface  
Mount Switches

\* Use either  
part number



Part Number	*PRB-RB-001 / CT1002	*PRB-SP-002 / CTE002	LMPSA 240/30	LMSA 240/30	MC-12AW	*PRA-SA-003 / CTC012	LMPSB 130/30
Options & Features	Heavy duty rugged enclosure	Also available in Brown	Left and right hand versions available Smallest available Proximity	Left and right hand versions available	Also available in Black and Grey	Heavy duty rugged enclosure	Left and right hand versions available
Reed Form	N/C	N/C	N/O	N/O	N/O	N/O	N/C
Loop Type							
Suggested Magnet (See magnets)	* PRM-RB-001 CT1002M	* PRM-SP-001 CTE002M	LMPSM	LMSM	MC-12M	* PRM-SA-002 CTCM	LMPSM
Switching Distances Available (mm)	12	18	5	10	12	10	5
Switching Capacity Max. W/VA	10	10	10	10	10	10	10
Switching Voltage Max. VAC	48	48	240	240	100	200	100
Switching Current Max. A	0.5	0.5	0.5	0.5	0.5	0.5	0.5
Contact Resistance Max (mOhms)	200	200	150	150	200	300	150
Cable Length Dia (mm)	300 / 0.22	280 / 0.22	300 / 0.22	300 / 0.22	300 / 0.22	280 / 0.14	300 / 0.22





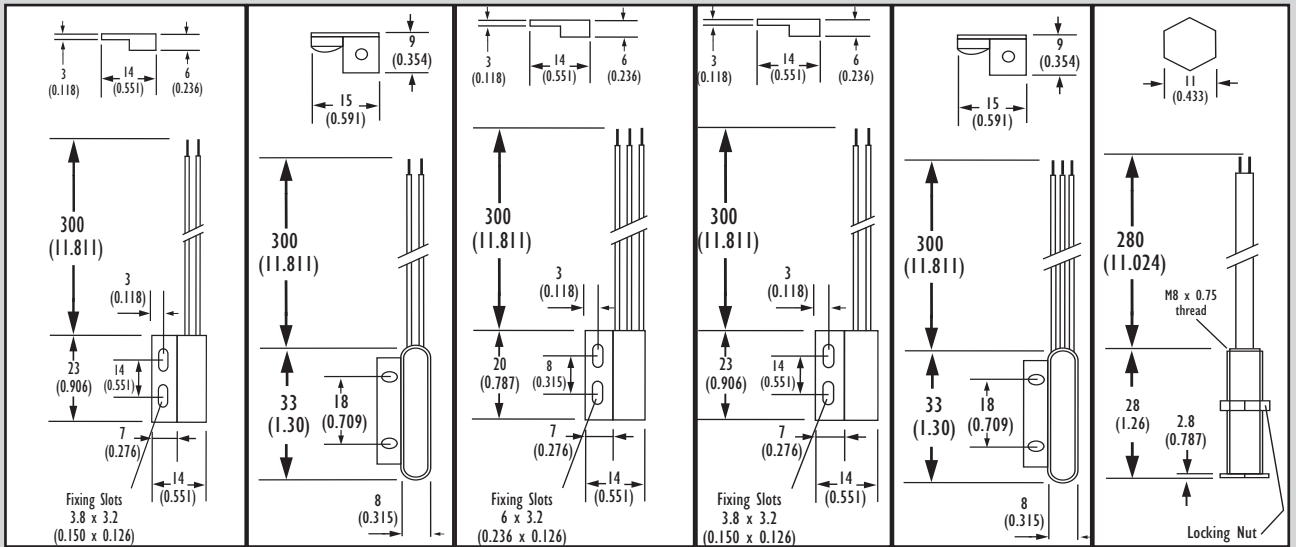


# The Comus Group of Companies

Recessed  
Mount Switches

Surface  
Mount Switches

\* Use either  
part number



Part Number	LMSB 130/30	MC-12BW	LMPSC 130/30	LMSC 130/30	MC-12CW	PRA-TB-001
Options & Features	Left and right hand versions available	Also available in Black and Grey	Left and right hand versions available	Left and right hand versions available	Also available in Black and Grey	Heavy duty rugged enclosure
Reed Form	N/C	N/C	SPDT	SPDT	SPDT	N/O
Loop Type						
Suggested Magnet (See magnets)	LMSM	MC-12M	LMPSM	LMSM	MC-12M	* PRM-TB-001 CT1302M
Switching Distances Available (mm)	5	8	5	5	8	10
Switching Capacity Max. W/VA	10	10	10	10	10	10
Switching Voltage Max. VAC	100	100	100	100	100	200
Switching Current Max. A	0.5	0.3	0.5	0.5	0.3	0.5
Contact Resistance Max (mOhms)	150	200	150	150	200	200
Cable Length Dia (mm)	300 / 0.22	300 / 0.22	300 / 0.22	300 / 0.22	300 / 0.22	280 / 0.14

## Magnets

				
M1(3.1x9.5x22)	M2(9.5x12.7)	M3(9.5x19)	M4(9.5x12.7)	M5(6.35x12.7)
				
M6(9.5x12.7)	M7(6.35x19)	M8(12.7x6.35)	M9(9.5x6.35)	M10(6.35x25)
				
M11(9.5x9.5)	M12(9.5x12.7)	M13	CT1002M	CTE002M
				
LMPSM	LMSM	MC-12M	CTCM	CTI302M



# The Comus Group of Companies

## Global Distribution

The Comus group has offices located in the USA, Europe and India as well as more than forty agents around the world. For your local agent please see the list available on the companies website.

Comus International  
New Jersey  
U.S.A.

Assemtech Europe Ltd  
Essex  
ENGLAND

Comus Technology BV  
Herleen  
The Netherlands

Comus International SARL  
Maisons-Alfort  
FRANCE

Comus International BVBA  
Tongeren  
BELGIUM

STG  
Chennai  
India



# The Comus Group of Companies

The Comus International group of companies consists of:



Comus International  
454 Allwood Road  
Clifton  
New Jersey 07012  
U.S.A

Tel: (1)973 - 777 - 6900  
Fax: (1)973 - 777 - 8405  
email: [info@comus-intl.com](mailto:info@comus-intl.com)  
internet: <http://www.comus-intl.com>  
ISO 9001:2008  
CERTIFICATE NO: 03-12314



Assemtech Europe Limited  
Unit 7, Rice Bridge Industrial Estate  
Thorpe - Le - Soken  
Essex  
England  
CO16 0HL  
Tel: +44 (0)1255 862236  
Fax: +44 (0)1255 862014  
email: [sales@assemtech.co.uk](mailto:sales@assemtech.co.uk)  
internet: <http://www.assemtech.co.uk>  
ISO 9001:2008  
CERTIFICATE NO: FM 21080



Comus Technologies BV  
Jan Campertstraat 11  
6416 SG Heerlen,  
The Netherlands

Tel: +31 (0) 45 5439345  
Fax: +31 (0) 45 5427216  
email: [jperez@comus-intl.com](mailto:jperez@comus-intl.com) (USA, Canada)  
[G.Kemper@comus.be](mailto:G.Kemper@comus.be) (Europe, Asia)



Comus Belgium BVBA  
Overhaamlaan 40  
B-3700 Tongeren  
Belgium

Tel: +32 (0)12 390400  
Fax: +32 (0)12 235754  
email: [info@comus.be](mailto:info@comus.be)  
internet: <http://www.comus.be>



Comus International SARL  
Immeuble 'Les Juilliottes  
31 Cours des Juilliottes  
F-94700 Maisons-Alfort  
France

Tel: +33 (0)1 43 96 86 10  
Fax: +33 (0)1 43 96 86 11  
email: [info@comus.fr](mailto:info@comus.fr)  
internet: <http://www.comus.fr>



Switching Technologies Gunther  
B-9, B-10, & C-1 Special Economic Zone (MEPZ)  
Kadapperi  
Tambaram  
Chennai 600 045  
India  
Tel: +91 44 22628093  
Fax: +91 44 22628271  
email: [stgtd@eth.net](mailto:stgtd@eth.net)



Comus Electronics and Technologies  
India Private Limited  
No 3. Kamaraj Nagar 2nd Street  
Tambaram Sanatorium  
Chennai 600045  
India  
Tel: +91 44 43219090  
Fax: +91 44 22628198  
email: [P.Ramesh@stg-india.com](mailto:P.Ramesh@stg-india.com)  
[chudan@comus-intl.com](mailto:chudan@comus-intl.com)  
Website: <http://www.comusindia.com>



## Our Switch Ranges:

We now have a comprehensive range of switches including: Reed Switches, Tilt Switches, Proximity Switches and Magnets, Electronic Proximity Switches, Non Mercury Tilt, Tip Over and Acceleration Switches, Float Switches, Glass Mercury and Mercury Switches.