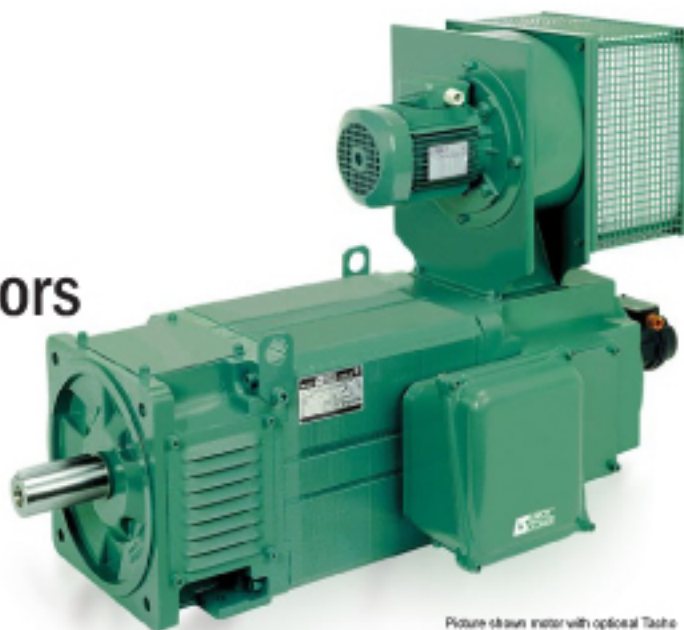




LSK Shunt Wound DC Motors 4.7 - 517kW



Picture shown motor with optional Tacho

Standard Features

- o Fully Laminated Frame
- o 3-Phase Full Bridge Supply
- o PTC Thermistors
- o IP23S Protection
- o IC06 Force Ventilated Cooling
- o Polyester Filter
- o S1 Duty
- o Class "H" Insulation
- o 180/360V Field
- o 40°C Ambient
- o 1000M Above Sea Level

Terminal Box Right Hand Side

IC06 Force Vent Top Mounted

Mounting: 112-160 Frame Foot and Flange, 180-280 Frame Foot Mounted

Suitable for RE:0444R Tacho

Options

Supply With Tacho Fitted

The stocked motors are the popular selections, Leroy Somer offer a vast range of power and speed with many options please call sales desk for details.

Selection Tables

LSK D.C Shunt Wound Motors

IP23S, S1, PTC Thermistors, IC06 with Standard Polyester Filter, Class H Insulation

40°C Ambient, 1000M ASL, 3-Phase Full Bridge Supply, Terminal Box RHS, Force Vent Top, Tacho Provision (REO)

Mounting: 112 - 160 Frame = IM2001 (B35). 180 - 280 Frame = IM1001 (B3)

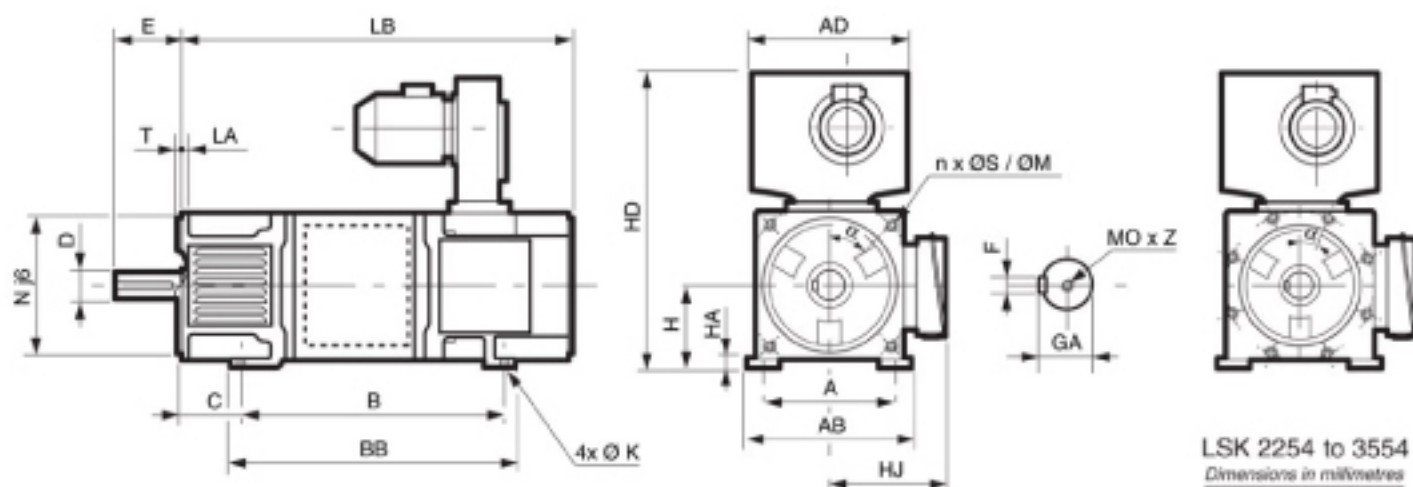
Frame	P kW	Speed of rotation n (RPM) for Armature voltage U							n max Elec RPM	n max Mech RPM	Torque N.m	Current A	Effcy PU	Arm. Ind mH	Resist. D 115°C	Field Power kW	Inertia kg.m ²	Weight kg	Code
		260	310	400	420	440	460	500											
LSK1124M04	4.7	730						1440	4000	61	30	0.71	25	2.54	0.66	0.653	101	4191153	
	5.9		890					1710		66	29.5	0.77							
	9			1370				2120		63	29	0.78							
	9.5				1440			2230		63	28.5	0.79							
	10					1510		2340		63	28.5	0.80							
	10.5						1580	2440		63	28.5	0.80							
	11.6							2550		65	28.5	0.81							
LSK1124M05	6.7	1020					2300	4000	63	40.5	0.77	14	1.39	0.61	0.653	101	4265423		
	8.2		1206				2390		66	40	0.79								
	13			1910			2390		65	39.5	0.82								
	13.5				2000		2500		64	39	0.83								
	14.2					2100	2590		65	38.5	0.84								
	14.9						2200		2410	65	38.5							0.84	
	16.3						2390		2700	65	38.5							0.85	

Frame	P kW	Speed of rotation n (RPM) for Armature voltage U							n max Elec RPM	n max Mech RPM	Torque N.m	Current A	Effcy PU	Arm. Ind mH	Resist. D 115°C	Field Power kW	Inertia kg.m ²	Weight kg	Code
		260	400	420	440	460	500	600											
LSK1324M05	9.7	850						2000	4000	194	49.5	0.75	32	1.3	0.7	0.12	166	4265422	
	16.6		1310				2200	120		49.5	0.83								
	17.3			1440			2320	115		49	0.83								
	18				1510		2410	114		49	0.83								
	18.7					1580	2520	113		48.5	0.84								
	20.6						2750	114		48.5	0.85								
	23.5	1240					1720	2750		114	48.5	0.85							
LSK1324M03	15.1	1040					1660	4000	139	75	0.77	12.6	0.66	0.8	0.15	175	4133517		
	24.8		1690				2640		148	73.5	0.84								
	26.3			1690			2700		149	73	0.85								
	27.6				1770		2830		149	73	0.86								
	29					1880	2960		150	73	0.86								
	31.6						3010		160	73	0.86								
	33.5	1240					2010		3010	160	73							0.86	
LSK1324M18	36.8		1910				3050	4000	184	105	0.87	8	0.35	0.85	0.2	215	4265425		
	38.8			2000			3200		185	104.5	0.88								
	40.9				2100		3360		184	104.5	0.88								
	41.8					2190	3500		182	101.5	0.89								
	44						3360		177	99	0.90								
	46.4						3570		177	99	0.90								
	52.4	1240					1330		3570	177	99							0.90	
LSK1324MVA10	36.2		1490				2560	4000	221	107	0.80	7.4	0.39	1.2	0.24	249	4265427		
	38.3			1570			2160		232	106	0.86								
	40				1640		2260		233	106	0.86								
	42					1710	2350		233	105.5	0.86								
	45.8						2560		235	105.5	0.87								
	49.8	1010					1560		235	105	0.87								
	52.4						1510		280	137.5	0.83								
LSK1624M05	47.8		1590				2320	4000	295	136	0.88	4.9	0.36	1.3	0.45	286	4265430		
	49.6			1630			2440		291	134	0.88								
	52				1700		2560		292	133.5	0.89								
	63					1710	2600		286	130	0.89								
LSK1624M06	37.5	1250					1670	4000	287	166.5	0.87	3.3	0.2	1.3	0.45	265	4265431		
	69.9		1910				2670		390	166	0.90								
	62			2010			2600		295	162.5	0.90								
	64.7				2100		2640		294	162	0.91								
	66.4					2190	3000		290	158	0.91								
	68.5						2360		275	150.5	0.91								
	69.5						2800		269	147.5	0.91								
LSK1624M07	46	1070					1710	4000	411	203	0.87	4.1	0.189	1.6	0.55	305	3950161		
	72.7		1590				2560		421	201.5	0.90								
	75			1730			2400		414	198.5	0.90								
	78.3				1800		2500		415	197.5	0.90								
	81					1870	2610		414	193	0.91								
	83.8						2040		392	184	0.91								
	98.3						2450		383	180	0.91								
LSK1624MVA12	69	1230					1640	4000	536	306	0.87	2.4	0.083	2.1	0.65	460	4265433		
	110		1900				2510		552	305	0.90								
	115			1990			2420		553	305	0.90								
	123				2080		2530		563	305	0.91								
	128					2170	2640		561	304	0.91								
	136						2360		559	300	0.92								
	163						2830		551	296	0.92								

Selection Tables

Frame	P kW	Speed of rotation n (RPM) for Armature voltage U							n max Elec RPM	n max Mech RPM	Torque N.m	Current A	Effcy P.U.	Arm. Ind mH	Resist. D 115°C	Field Power kW	Inertia kg.m ²	Weight kg	Code
		290	420	420	440	480	600	800											
L3K1504M09	57.5	940						1320	3600	584	290	0.89	3.0	0.1	1.9	0.7	480	426432	
	91.2		1450					2340		601	256	0.89							
	95			1520				2540		603	254	0.90							
	180				1990			2340		602	253	0.90							
	194					1990		2330		587	248	0.91							
	112						1800	2340		582	245	0.91							
L3K1504L09	77.8	1190						1370	3600	675	340	0.88	2.0	0.095	2	0.8	515	4261313	
	122		1660					2110		689	335	0.91							
	126			1770				2210		681	330	0.91							
	130				1850			2220		671	325	0.91							
	135					1930		2310		669	320	0.91							
	143						2100	2520		648	310	0.92							
L3K1504V11	86.4	1190						1520	3600	640	395	0.82	1.9	0.045	2.1	1	520	4264390	
	130		1750					2140		726	362	0.89							
	148			1870				2240		706	362	0.92							
	159				1990			2350		705	362	0.92							
	181					2040		2400		754	379	0.92							
	175						2210	2900		756	375	0.93							
L3K2004M09	83.9	940						1500	3200	662	363	0.89	1.86	0.063	2.4	1.3	530	426434	
	133		1490					2200		662	363	0.92							
	140			1570				2250		662	363	0.92							
	147				1950			2300		661	363	0.92							
	154					1730		2350		661	363	0.92							
	168						1885	2500		662	363	0.93							
L3K2004L10	96.8	910						1290	3200	1005	412	0.89	1.46	0.093	2.7	1.5	710	426437	
	152		1490					1990		1034	412	0.92							
	160			1470				1796		1036	412	0.92							
	167				1540			1850		1034	410	0.92							
	173					1610		1930		1029	407	0.93							
	184						1760	2100		1001	395	0.93							
L3K2004L11	119	1210						1450	3200	942	505	0.91	0.96	0.033	2.7	1.5	710	426438	
	187		1680					2230		960	503	0.93							
	188			1950				2390		921	481	0.93							
	189				2050			2500		880	462	0.93							
	190					2140		2500		848	444	0.93							
	196						2330	2700		862	420	0.93							
L3K2204L11	129	900						1200	3600	1364	540	0.92	1.1	0.60	3.2	2.4	800	426441	
	202		1380					1800		1396	540	0.94							
	212			1450				1900		1398	540	0.94							
	223				1520			2000		1400	540	0.94							
	233					1590		2100		1401	540	0.94							
	254						1750	2300		1387	540	0.94							
L3K2204V14	186	1060						1400	3600	1498	695	0.92	0.72	0.024	3.2	2.7	1000	426442	
	253		1640					2190		1475	675	0.94							
	263			1720				2290		1460	670	0.93							
	273				1850			2400		1410	665	0.93							
	281					1960		2500		1370	650	0.94							
	288						2200	2700		1296	636	0.94							
L3K2304C03	189	1110						1540	2100	1626	800	0.91	0.2	0.023	3	4.1	1400	426444	
	294		1710					2100		1642	800	0.92							
	312			1790				2100		1605	800	0.93							
	319				1880			2100		1620	800	0.93							
	333					1960		2100		1623	800	0.94							
L3K2304C03	189	920						1380	2100	1952	800	0.91	0.23	0.025	3	4.6	1500	426445	
	294		1420					1950		1977	800	0.92							
	312			1490				1740		2000	800	0.93							
	327				1560			1820		2002	800	0.93							
	342					1630		1900		2004	800	0.93							
	376						1770	2070		2029	800	0.94							
L3K2304C09	289	920						1250	2000	2762	1130	0.94	0.13	0.006	5.5	5.75	1800	426446	
	454		1420					1820		2784	1130	0.94							
	434			1490				2000		2762	1130	0.94							
	455				1560			2000		2785	1130	0.94							
	476					1630		2000		2789	1130	0.94							
	517						1775	2000		2782	1130	0.94							
L3K2504C10	289	770						1340	2000	3336	1130	0.94	0.15	0.010	5.5	6.9	1900	426447	
	454		1180					1900		3351	1130	0.94							
	434			1240				1990		3343	1130	0.94							
	455				1300			1760		3343	1130	0.94							
	476					1360		1840		3343	1130	0.94							
	517						1490	2000		3336	1130	0.94							

Dimensions



Motor typ	Main dimensions												Shaft						Standard flange					
	A	AB	AD	B	BB	C	H	HA	HD	HJ	K	LB	D	E	F	GA	O	Z	LA	M	N	n	S	T
LSK 1124 M	190	220	220	380	404	70	112	10	472	202	12	546	38 k6	80	10	41	12	28	20	265	230	4	14	4
LSK 1124 L	190	220	220	450	474	70	112	10	472	202	12	616	38 k6	80	10	41	12	28	20	265	230	4	14	4
LSK 1124 VL	190	220	220	520	544	70	112	10	472	202	12	686	38 k6	80	10	41	12	28	20	265	230	4	14	4
LSK 1324 S	216	245	260	432	462	89	132	12	552	248	12	590	48 k6	110	14	51.5	16	36	22	300	250	4	18	5
LSK 1324 M	216	245	260	482	512	89	132	12	552	248	12	640	48 k6	110	14	51.5	16	36	22	300	250	4	18	5
LSK 1324 VL	216	245	260	582	612	89	132	12	552	248	12	740	48 k6	110	14	51.5	16	36	22	300	250	4	18	5
LSK 1324 XVL	216	245	260	652	682	89	132	12	552	248	12	810	48 k6	110	14	51.5	16	36	22	300	250	4	18	5
LSK 1604 S	254	300	318	425	469	103	160	15	678	313	14	750	55 m6	110	16	59	20	42	24	350	300	4	18	5
LSK 1604 M	254	300	318	505	549	103	160	15	678	313	14	830	55 m6	110	16	59	20	42	24	350	300	4	18	5
LSK 1604 L	254	300	318	565	609	103	160	15	678	313	14	890	55 m6	110	16	59	20	42	24	350	300	4	18	5
LSK 1604 VL	254	300	318	665	709	103	160	15	678	313	14	990	55 m6	110	16	59	20	42	24	350	300	4	18	5
LSK 1804 M	279	356	318	653	738	121	180	15	735	317	14	889	60 m6	140	18	64	20	42	20	350	300	4	18	5
LSK 1804 L	279	356	318	698	783	121	180	15	735	317	14	934	60 m6	140	18	64	20	42	20	350	300	4	18	5
LSK 1804 VL	279	356	356	883	968	121	180	15	760	317	14	1059	60 m6	140	18	64	20	42	20	350	300	4	18	5
LSK 1804C M	279	356	318	653	738	121	180	15	735	317	14	889	60 m6	140	18	64	20	42	20	350	300	4	18	5
LSK 1804C L	279	356	318	698	783	121	180	15	735	317	14	934	60 m6	140	18	64	20	42	20	350	300	4	18	5
LSK 2004 M	318	396	495	737	830	133	200	18	921	335	18	1000	65 m6	140	18	69	20	42	20	400	350	4	18	5
LSK 2004 L	318	396	495	802	895	133	200	18	921	335	18	1065	65 m6	140	18	69	20	42	20	400	350	4	18	5
LSK 2254 M	356	445	548	793.5	888	149	225	21	993	360	18	1050	80 m6	170	22	85	20	36	31	400	350	8	18	5
LSK 2254 L	356	445	548	853.5	958	149	225	21	993	360	18	1160	80 m6	170	22	85	20	36	31	400	350	8	18	5
LSK 2254 VL	356	445	548	913.5	1008	149	225	21	993	360	18	1210	80 m6	170	22	85	20	36	31	400	350	8	18	5
LSK 2504C M	406	494	600	1018	1216	168	250	22	1180	495	22	1360	100 m6	170	28	106	24	50	35	400	350	8	18	5
LSK 2504C L	406	494	600	1078	1276	168	250	22	1180	495	22	1420	100 m6	170	28	106	24	50	35	400	350	8	18	5
LSK 2804C SM	457	550	655	1106	1248	190	280	29	1300	530	22	1477	110 m6	170	28	116	24	50	46	500	450	8	26	6
LSK 2804C M	457	550	655	1106	1315	190	280	29	1300	530	22	1544	110 m6	170	28	116	24	50	46	500	450	8	26	6
LSK 2804C SL	457	550	655	1216	1358	190	280	29	1300	530	22	1587	110 m6	170	28	116	24	50	46	500	450	8	26	6
LSK 2804C L	457	550	655	1216	1425	190	280	29	1300	530	22	1654	110 m6	170	28	116	24	50	46	500	450	8	26	6
LSK 3554C VS	610	700	705	700	1536	254	355	22.5	1521	680	27	1580	125 m6	210	32	132	24	50	28	940	880	8	25	6
LSK 3554C S	610	700	705	800	1636	254	355	22.5	1521	680	27	1680	125 m6	210	32	132	24	50	28	940	880	8	25	6
LSK 3554C M	610	700	705	850	1686	254	355	22.5	1521	680	27	1730	125 m6	210	32	132	24	50	28	940	880	8	25	6
LSK 3554C L	610	700	705	950	1786	254	355	22.5	1521	680	27	1830	125 m6	210	32	132	24	50	28	940	880	8	25	6
LSK 3554C VL	610	700	705	1100	1936	254	355	22.5	1521	680	27	1980	125 m6	210	32	132	24	50	28	940	880	8	25	6

These characteristics do not form the basis of any contract and are subject to change without prior notification.