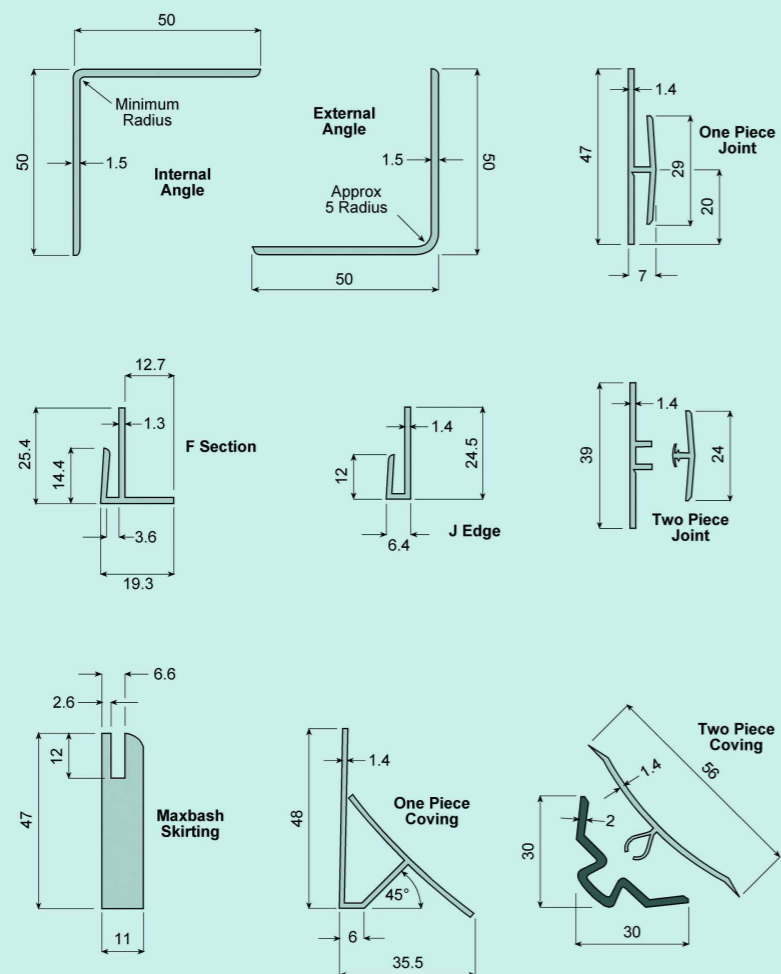


Proclad Fitting Trims



How to Proceed?

Need help choosing or estimating materials - send us your drawings or sketches.



If you already know what you want - place your order by:

Phone: 0114 2799 188

Fax 0114 2799 175

email sales@ipsluk.co.uk.

Or if you'd like to visit our showroom come to 2 Sanderson St, Sheffield. S92TW.

IPSL

proclad
WALL & CEILING CLADDING



The Professional Choice

IPSL supply Proclad high quality commercial hygienic wall cladding and ceiling panel cladding systems which are easy to install, durable and functional.





Wall Cladding Ceiling Panels Suspended Ceilings



IPSL supply Proclad high quality commercial hygienic wall cladding and ceiling panel cladding systems which are easy to install, durable and functional.

Applications

Suitable for all critical clean areas inc: Food Production and Preparation, Butchers, Meat plants, Kitchens, Takeaways, Milking Parlours, Dairies, Schools, Hospitals and Veterinary Surgeries, Showers, Laboratories.

Supply and Installation

For the larger project IPSL can provide a full service; from initial advice, through design and tendering, to managing and delivering the entire installation including walls, ceilings and floors. We offer welded joints and thermoformed corners as options. We have installation teams able to work all over the UK.

Self Installation

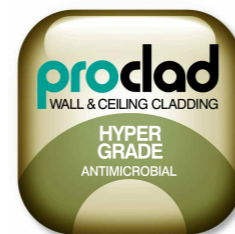
Proclad Hygienic Systems have been carefully designed so that they have the advantage a straight forward installation for either a self install or an experienced tradesman. This allows you to keep costs to a minimum while keeping total control over the project.

Quality

Our products are manufactured in the UK where we keep a close control over quality and we operate to quality standard ISO9001.

Deliveries

We deliver all over the UK and if necessary can offer a next day service.



Wall Cladding

Proclad Plastic Wall Cladding for interiors is supplied in uPVC sheets which can cover any new or existing interior wall, with a full range of accessories for fitting and finishing.

We also supply a wide range of Decorative Panels more suitable for domestic areas - contact us for a brochure and pricing.

<p>Proclad Standard Grade - Excellent value, high impact strength, easy to cut and to install, compatible for a wide range of temperatures from -25 to 110 degrees centigrade. White or Blue Satin finish. No Fire Rating.</p>	<p>Proclad Plus Grade - BS476, part 7, Class 1 Fire rated, accepts adhesives, easy to cut and install cost effective, white high gloss finish.</p>	<p>Proclad Premium Grade - BS476 part 6 Class 0 (when fixed to non combustible substrate), and BS476 part 7 Class 1 Fire rated, accepts adhesives, long term durability, and high impact resistance. White, Cream, Blue, Grey, or Green Satin finish. Antimicrobial tested to BS22196.</p>	<p>Proclad Hyper Grade - Class 0 and 1 Fire rated as per Premium Grade but with a silver ion based antimicrobial additive included. This makes it ideal for very high care areas where the spread of viruses and infections must be controlled.</p>
---	---	---	--

Proclad PVC Ceiling panels - BS476, part 7 Class 1 Fire rated, tongue and groove fitting, easy to cut and install, cost effective. White Gloss or Matt finish, and range of other colours available; may also be fitted to walls.

Proclad Tufcel panels - BS476, part 7 Class 1 Fire rated, 10mm rigid pvc with foam core, self supporting, and ideal for a fast fix, or fixing direct to stud frame.

Ceiling Panels and Suspended Ceilings

The Proclad Ceiling Panel Cladding System is suitable for commercial space, professional and domestic kitchens, bathrooms, and utility rooms.

The system comprises of 250mm wide interlocking PVC ceiling panels that fit together to create a single flat, flush, solid structure with a degree of insulation to help reduce condensation.

The Proclad ceiling panel system is easy to install in large or small projects and is available in a range of finishes.

Our Suspended Ceiling System is specifically conceived to be suitable in applications where high hygiene and acoustic ratings are required - call 0114 2799 188 for a product brochure.