



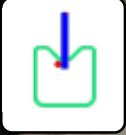
Secure Stores



External Compounds



Metalmesh Ltd. PO Box 138, Marlborough, SN8 1XE
Tel. 01672 841404 Fax 0870 762 5500



Metalmesh Introduction.

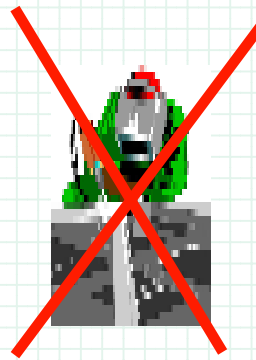
We started this family business in 1992, it was founded on a very simple idea to produce a mesh panel from a rolled section framework which we patented in a durable material capable of external use. We call the framework 'Sigma' you can see why from the inset.

We offer the service of survey, design, manufacture, delivery, and installation of cages and fences either inside or out. In practically any shape size or quantity.

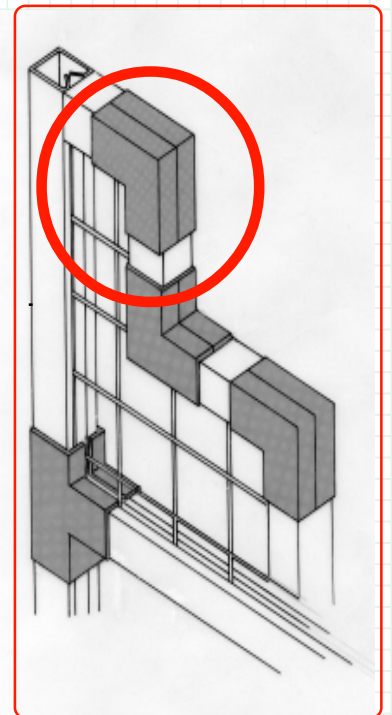
The main benefit of the system is that costs are brought down by not painting or hot dip galvanising because of the manufacture using prefinished raw materials,

Chris Newnham MD Metalmesh Ltd..

This System has 'Piercing Kits' for ducts and Kerbs!



No Welding
No Repainting
No Rejects



Sigma Partition, Security Mesh and External Fence Modules,

	Dim 'A'	Dim 'B'	Part No
Panel	<0 >650	1234	
Panel	<650 >956	1234	
Panel	<956 >1265	1234	
Panel	<0 >650	2310	
Panel	<650 >956	2310	
Panel	<956 >1265	2310	
Panel	<0 >650	2920	
Panel	<650 >956	2920	
Panel	<956 >1265	2920	

Sigma Hinged Door Modules,

Doors	Dim 'A'	Dim 'B'	Part No
Single Hng	<0 >900	1234	
Single Hng	<900 >1500	1234	
Double Hng	<1500 >2000	1234	
Double Hng	<2000 >3000	1234	
Single Hng	<0 >900	2310	
Single Hng	<900 >1500	2310	
Double Hng	<1500 >2000	2310	
Double Hng	<2000 >3000	2310	
Single Hng	<0 >900	2920	
Single Hng	<900 >1500	2920	
Double Hng	<1500 >2000	2920	
Double Hng	<2000 >3000	2920	

Sigma Sliding Door Modules,

Sliding Doors	Dim 'A'	Dim 'B'	Part No
Single Sld	<0 >900	2310	
Single Sld	<900 >1500	2310	
Double Panel Sld	<1500 >2000	2310	
Tri-Panel Sld	<2000 >3000	2310	
Single Sld	<0 >900	2920	
Single Sld	<900 >1500	2920	
Double Panel Sld	<1500 >2000	2920	
Tri- Panel Sld	<2000 >3000	2920	

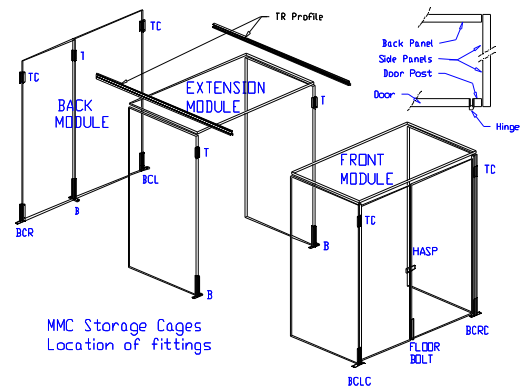
Panel Bracketry

T TH TR TC WF CC
 B BH BCL BCR BHL BHR BS BG MS M MH MC



External Cages/Boxes

safe and secure with the Metalmesh Box!
 Offering secure storage for a wide range of requirements across many environments, the Metalmesh box provides safe and secure storage of theft-prone goods or materials that demand extra security enabling stored items to be viewed. Simple to install outdoors or indoors the Metalmesh box combines versatility and effectiveness with economy. Easily expanded, reduced in size, dismantled or relocated, the Metalmesh box is available in a range of sizes. The front of each box can



be opened to allow goods to be moved freely in and out of the storage area.

The standard finish is Hot Dip Pre-Galvanised for outdoor use and therefore makes a remarkably robust and effective solution to help eradicate theft and to minimise vandalism whilst providing this at a very competitive price.

