



**VALVE REGULATED
LEAD ACID BATTERY (V.R.L.A.)**



**ADVANCED ABSORBED GLASS
MAT TECHNOLOGY (A.G.M.)**



**10 YEAR DESIGN FOR UPS AND
STANDBY APPLICATIONS**



Features

- Flame-retardant polypropylene case and cover compliant with UL94 V-0 with an Oxygen Limiting Index of greater than 28%.
- Gas recombination greater than 99%.
- Operates at a low internal pressure.
- Never needs watering, minimal maintenance.
- 99.7% pure lead, calcium alloy grids.
- Shock absorbent thick wall polypropylene cases.
- Cold forged non-porous terminal bushings, eliminate post leakage.
- Thermally welded case to cover bond, eliminates both acid and electrical leaks.
- Over-sized, through the partition inter-cell welds provide low resistance connections, with minimal power loss.
- Flame arresting, low pressure safety release venting system for individual cells, recognized per U.L.924.
- Compliant with BS6290 Part 4 and IEC 896-2.
- Measured high vacuum acid fill, reduces electrical variability between cells.
- 100% recyclable materials.

Specifications

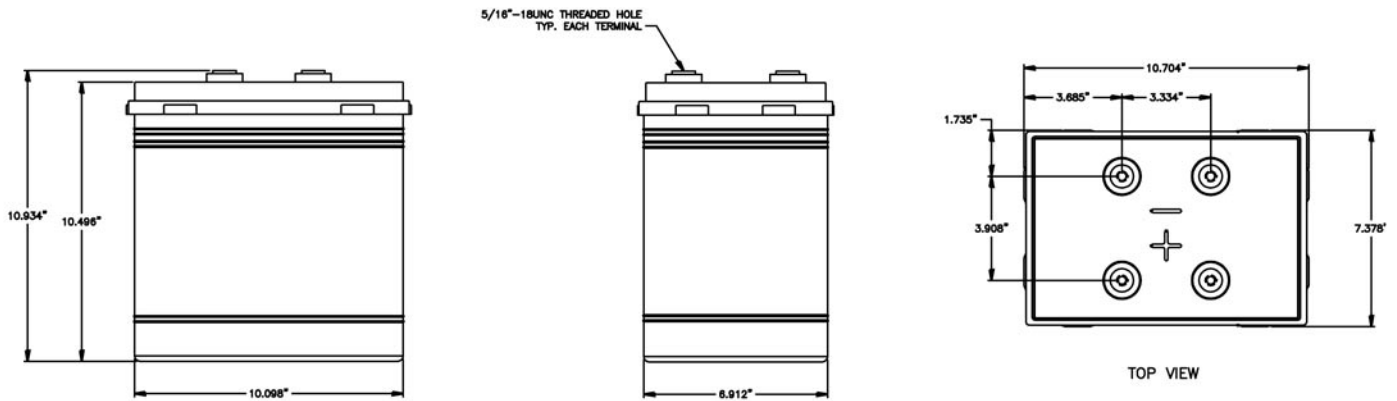
Cells per unit	1
Nominal voltage	2
Terminal type	Copper insert 5/16"
Short circuit current	10952 amps
Impedance @ 77°F 25°C	0.21 milliohms
Weight lbs / kgs	81.9 / 37.1
Electrolyte (S.G.)	1.300
Capacity @ 77°F (25°C)	443 AH (8 hrs) to 1.75 V.P.C.
Ideal operating temperature range	+68°F (+20°C) to +77°F (+25°C)
Extended operating temperature range	Discharge: -40°F (-40°C) to +140°F (+60°C) Charge: -4°F (-20°C) to +122°F (+50°C)
Float Voltage	2.25 to 2.30 @ 77°F (25°C)
Recommended maximum charging current	C/4 amperes at 100% discharge Unlimited at partial discharge.
AC ripple from charging source	1.5% peak to peak of float
Storage period without recharge	6 months at 77°F (25°C)

Options

- Terminal covers.
- Inter-connecting battery cables.
- Warranty extensions.
- Open, Cladded Rack and Cabinet options.

No transport restrictions

- Surface transport. Classified as non-hazardous material as relates to DOT-CFR Title 49 part 171-189.
- Maritime transport. Non hazardous as per IMDG amendment 27.
- Air transport. Non hazardous complies with IATA / ICAQ, special provision A67.



Power Battery offers an extensive line of pre-wired and fused battery cabinets. Standard and custom DC voltages complete with breakers and chargers are available.



KS3 Cabinet Model



Open Rack



Cladded Rack

Hours discharge rates in constant current (Amperes) and constant power (Watts) @ 77°F (25C°)

Volts per cell		1	2	3	4	5	6	7	8	9	10	12	24	48
1.75	Amps	337	193	136	104	84.1	71.2	62.1	55.4	50.2	46.0	39.5	21.7	11.8
	Watts	647	356	248	192	158	134	117	104	93.0	85.0	72.0	39.0	21.0
1.80	Amps	317	187	133	101	81.9	69.4	60.5	54.0	49.0	44.9	38.6	21.3	11.6
	Watts	616	340	238	185	152	129	113	100	90.0	82.0	70.0	38.0	20.4
1.85	Amps	292	178	127	97.6	78.6	66.0	57.5	51.3	46.4	42.4	36.3	19.9	10.8
	Watts	577	324	229	178	146	124	108	96.0	87.0	79.0	67.0	36.0	19.4
1.90	Amps	261	156	110	87.0	72.3	62.1	54.5	48.9	44.2	40.4	34.7	19.0	10.3
	Watts	522	293	203	157	128	109	95.0	85.0	76.0	69.0	59.0	32.0	17.2

U.S.A.
Power Battery Company, Inc.
 25 McLean Blvd.
 Paterson, N.J. 07514-1507
 Phone: (973) 523-8630
 Fax: (973) 523-3023
 E-mail: sales@powbat.com
 Web page: www.powerbattery.com

CANADA
Power Battery (Iberville) Ltd.
 770 Thomas Ave.
 Iberville, Quebec, J2X 5E7
 Phone: (450) 346-3273
 Fax: (450) 346-8003
 E-mail: powerbat@sympatico.ca
 Web page: www.powerbattery.com

UK
Power Batteries Ltd.
 Premier Way, Abbey Park Industrial Estate
 Romsey, Hampshire, SO51 9AQ
 Phone: +44 (0)1794 835900
 Fax: +44 (0)1794 835910
 E-mail: sales@powbat.co.uk
 Web page: www.powbat.co.uk

ITALY
Power Battery Srl
 Via Locatelli 105
 20046 Biassono MI - ITALY
 Phone: +(39) 039 2324571
 Fax: +(39) 349 2499200
 E-mail: calberti@powbat.it
 Web page: www.powbat.it