

Glass Pipette & PEEK Tubing Connectors



Quick and reliable connection of glass capillary needles and PEEK tubing to most Removable Needle (RN) and Knurled Hub (KH) terminations.

- Mass Spectrometer Tuning
- Neuroscience Injections
- Electrophysiology
- Non-metallic Needle Alternative
- Single-cell microinjections



HAMILTON
THE MEASURE OF EXCELLENCE™

Ordering Information



Priming Kit (p/n PRMKIT)

The Priming Kit provides the necessary tools to ensure that the syringe and needle connection is completely primed. Trapped air can cause inaccurate dispenses and standard priming techniques are not sufficient when using capillary tubing. The glass capillary tubing traps a large volume of liquid that can only be overcome by using the priming kit.

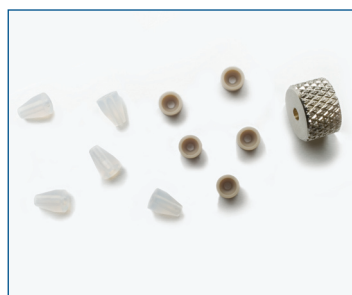
The Priming Kit contains one 250 µL Syringe (p/n 81120), one 6 pack of 30 gauge needles (p/n 90030), and one pack of septa (p/n 75826).



RN Compression Fitting 1 mm (p/n 55750-01)

The 1 mm connector is designed to attach pulled glass pipettes directly to a small hub RN connection. The RN nut compresses the conical PFA ferrule into the PEEK cup ferrule creating a seal between the syringe barrel and the glass capillary tubing. The connection requires no modifications to the glass capillary tubing.

The RN Compression Fitting 1mm consists of one large bore RN nut, 5 PFA ferrules and 5 PEEK cup ferrules.



RN Compression Fitting 1/16 inch (p/n 55751-01)

The 1/16 inch connector is designed to attach 1/16 inch PEEK tubing directly to a small hub RN connection. Tightening the RN nut compresses the conical PFA ferrule into the PEEK cup ferrule creating a seal between the syringe barrel and the PEEK tubing. The connection requires no modifications to the PEEK tubing.

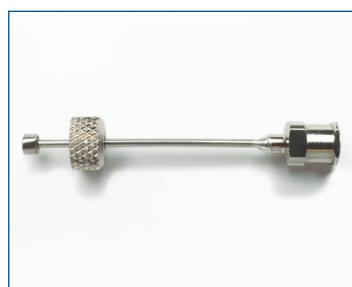
The RN Compression Fitting 1/16 inch consists of one large bore RN nut, 5 PFA ferrules and 5 PEEK cup ferrules.



Dual Small Hub RN Coupler (p/n 55752-01)

The Dual RN Coupler is constructed from model 1702 glass with a small hub RN termination on either end. It uses a standard glass size for compatibility with most stereotaxic instrumentation. The coupler is ideal for remotely connecting a syringe to a needle via PEEK tubing. It is also used with the Luer to RN adaptor for connection of custom needles to a 7000 series syringe.

The Dual RN Coupler consists of two large bore RN nuts, and one dual RN barrel.



Luer to Small Hub RN Adaptor (p/n 55753-01)

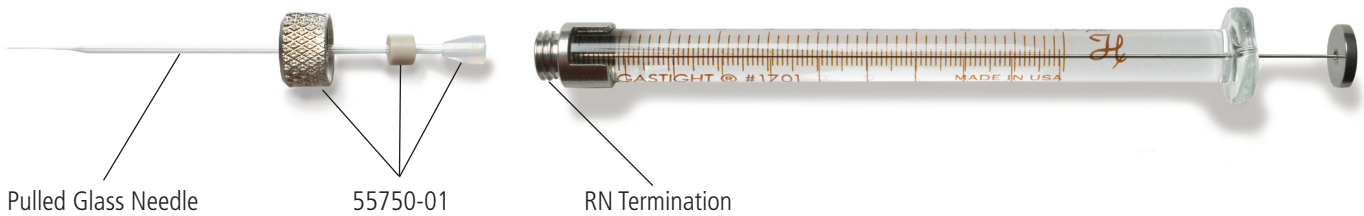
The Luer to RN Adaptor consists of a Metal Luer Lock Hub and a Small Removable Needle Hub combined in a single needle. The Luer to RN Adaptor and the Dual RN Coupler can be used to connect a 7000 series syringe to any Small Hub Removable Needle or to a Pulled Glass Pipette. The Adaptor creates a rigid connection between the syringe and the needle as well as compatibility with stereotaxic instrumentation.

The Luer to RN Adaptor consists of one RN to Luer Needle and a sealing ferrule for a 25 gauge 7000 series needle.

Connection Diagrams

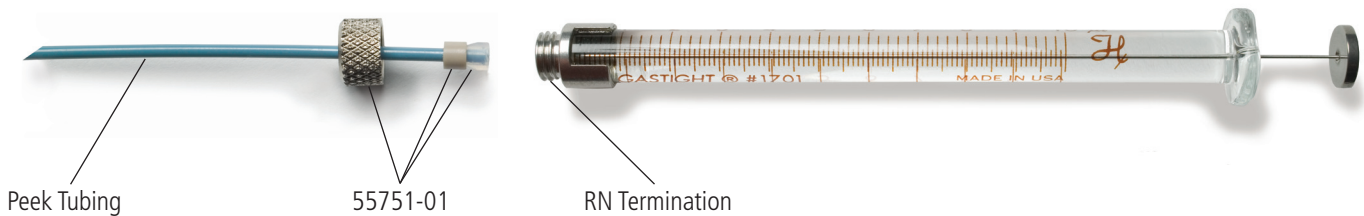
RN Compression Fitting 1 mm (55750-01)

- Adapts a Small Hub Removable Needle (RN) Termination to 1 mm Pulled Glass Pipettes



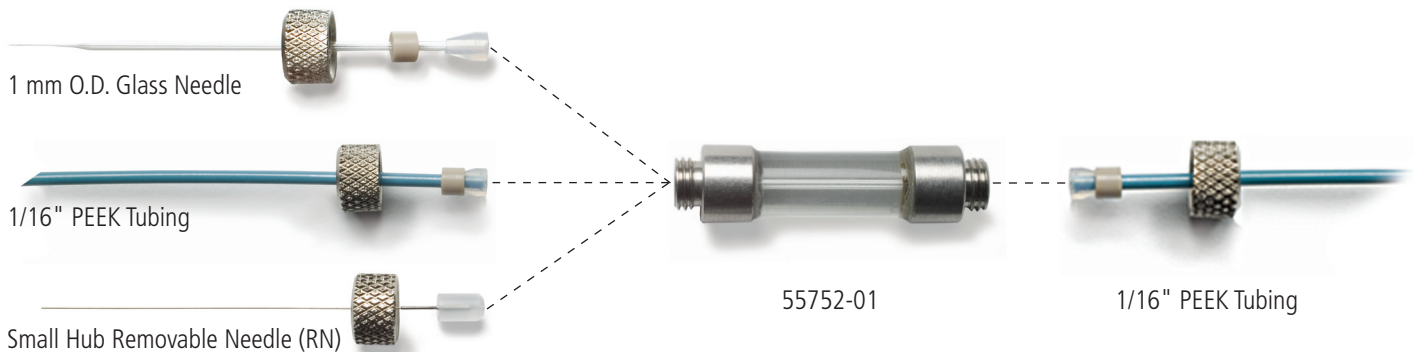
RN Compression Fitting 1/16 inch (55751-01)

- Adapts a Small Hub Removable Needle (RN) Termination to 1/16 inch PEEK tubing



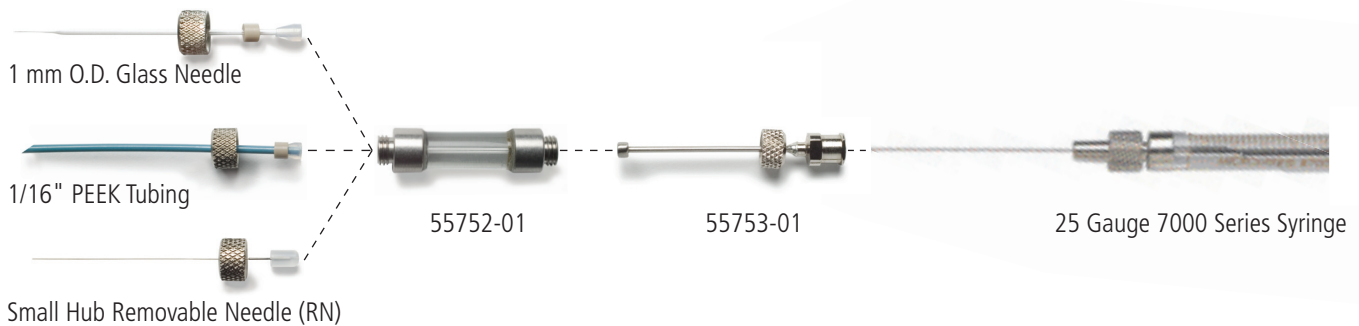
Dual Small Hub RN Coupler (55752-01)

- Connects any Small Hub RN connection to another Small Hub RN Connection



Luer to Small Hub RN Adaptor (55753-01)

- Combines with the 55752-01 to convert a 25 gauge 7000 series Knurled Hub (KH) Termination to a Small Hub RN Termination



Compatible Syringes

Removable Needle Syringe (2.5 µL to 100 µL)

- This termination can be used with the 1mm and 1/16 inch compression fittings



25 gauge 7000 Series Syringe (0.5 µL to 2 µL)

- The Knurled Hub (KH) is specific to the 7000 series syringes. This termination must be converted to an RN connection before the 1 mm and 1/16 inch compression fittings can be used. This conversion requires part number 55752-01 and 55753-01



	0.5 µL	1 µL	2 µL	2.5 µL	5 µL	10 µL	25 µL	50 µL	100 µL
600 RN (No needle)				7632-01	7633-01				
700 RN (No needle)					7634-01	7635-01	7636-01	7637-01	7638-01
1700 RN (No needle)						7653-01	7654-01	7655-01	7656-01
7000 KH (25 gauge needle)	86250	80100	88400						

Trademarks:
 GASTIGHT® Hamilton Company
 MODIFIED MICROLITER™ - Hamilton Company



Hamilton Company
 4970 Energy Way
 Reno, Nevada 89520 USA
 Toll Free: 800 648-5950
 Telephone: +1-775-858-3000
 Fax: +1-775-856-7259
 e-mail: sales@hamiltoncompany.com

Hamilton Bonaduz AG
 Via Crusch 8
 CH-7402 Bonaduz/Switzerland
 Toll-Free: 00800-660-660-60
 Telephone: +41-(0)81-660-60-60
 Fax: +41-(0)81-660-60-70
 e-mail: marketing@hamilton.ch

www.hamiltoncompany.com