

# Pelham

## Outdoor Furniture

Branson Leisure steel furniture is designed not only to be functional and elegant, but is also immensely strong and therefore highly vandal resistant. The 100% steel construction is available with a choice of three finishes:

- Polyester coated
- Galvanised
- Polyester coating on galvanised



The Pelham is an exceptionally rugged picnic suite. The design encompasses seating that is easier to access than the traditional 'A' frame because there is no cross member to straddle when sitting. This is an important feature particularly to the young and less able bodied.

The weight and strength of the Pelham makes it particularly suitable for situations where there may be a risk of either theft or vandalism.

The Pelham is available in two standard lengths, 150cm and 180cm.

Colour shown is Green RAL 6005.

For coastal regions where a high salt element is present in the atmosphere, a galvanised finish is recommended.

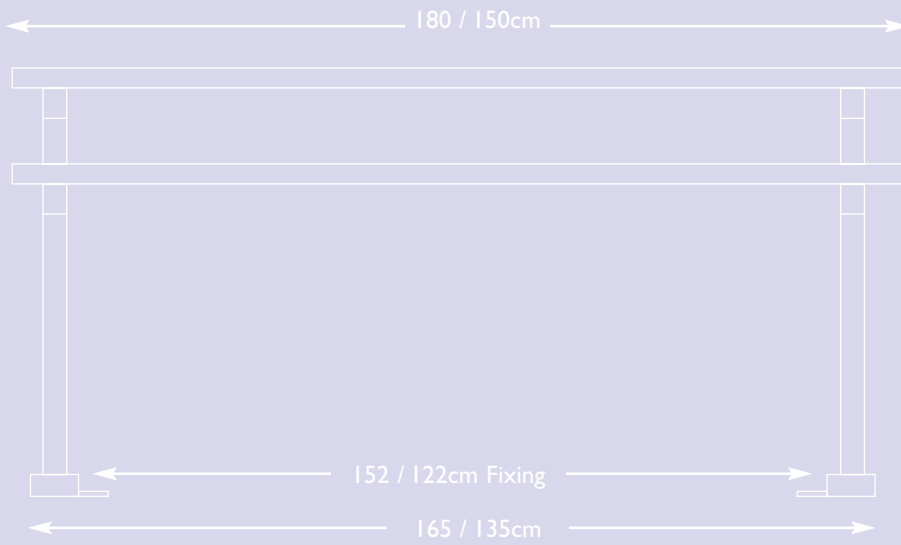
As all our furniture is built to order, it is possible to vary the size and colour from the standard specification. We would be pleased to quote for any special requirements.

**BRANSON**  
*leisure*



# Pelham

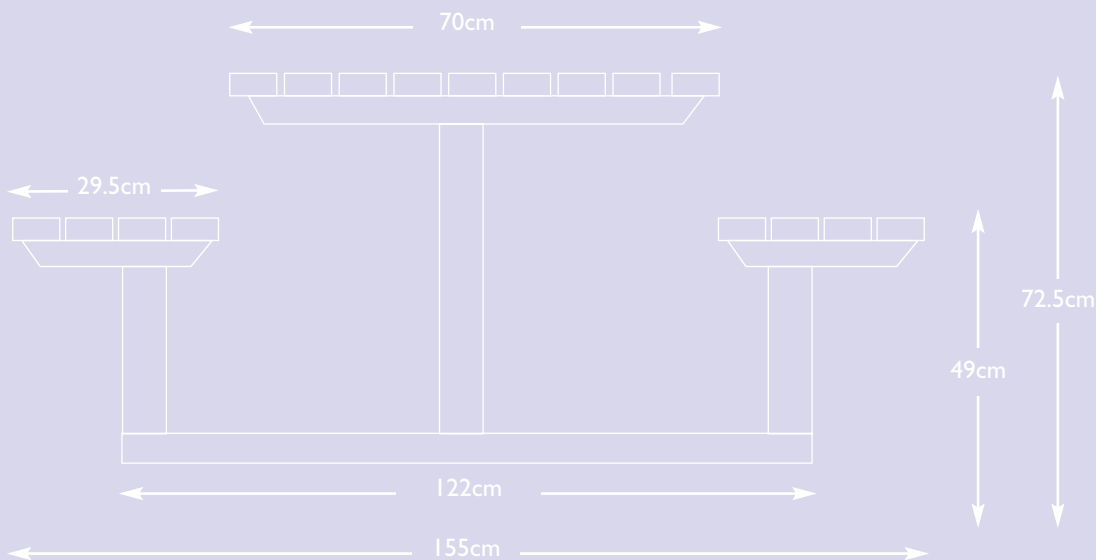
## Dimensions



### MATERIAL DIMENSIONS





Main Frame:	8cm x 4cm
Runners:	6cm x 3cm
Table Slats	6cm x 3cm

Pelham 150cm:	115kg
Pelham 180cm:	128kg



## Variations

These stylish benches are available in a choice of four colours and various coatings.

			
GREEN RAL 6005	BLUE RAL 5017	BLACK RAL 9005	WHITE HIPCA 9910

- Polyester coated
- Galvanised
- Polyester coating on galvanised

## Pelham – Square Frame Picnic Suite

PH/15/P-*	150cm unit, polyester coated
PH/15/G	150cm unit, galvanised
PH/15/GP-*	150cm unit, galvanised & polyester coated
PH/18/P-*	180cm unit, polyester coated
PH/18/G	180cm unit, galvanised
PH/18/GP-*	180cm unit, galvanised & polyester coated

For \* please insert colour, GRN (Green) BLK (Black) BLU (Blue) WHT (White)