

W WYE CYLINDER
e ENGINEERING LTD

Manufacturers of Hydraulic Cylinders

TIPPING KITS FOR 3.5-7.5 TON (GVW) COMMERCIAL VEHICLES



CALL FOR PRICE! (DISCOUNTS FOR QUANTITY)

ITEMS AVAILABLE IN THE KITS (kit can be modified to suit the customer)

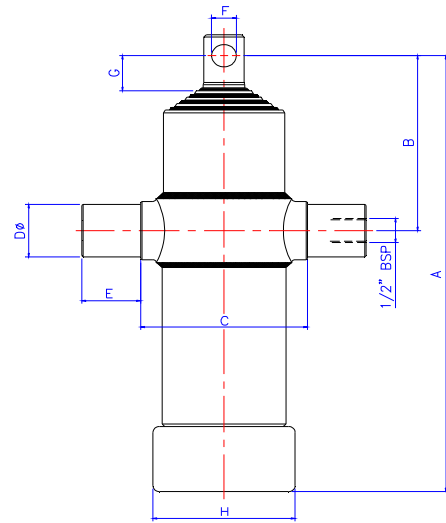
- 1:- **CYLINDER** :- Under floor multi-stage displacement. Choice of 5 see reverse for specification.
- 2:- **POWER PACK** :- 12/24 volt c/w covers. 5, 7.5 & 10 litre tanks available.
- 3:- **REMOTE CONTROL** :- Links directly to power pack via smart switch. 3.5 metre wander lead.
- 4:- **ELECTRICAL KIT** :- Cables, switches, connectors etc.
- 5:- **HYDRAULIC KIT** :- Hose assembly c/w fittings.
- 6:- **"H" FRAME** :- Main fabrication for cylinder mount.
- 7:- **REAR HINGE ASSY** :- Bushes, Locking collar, Grease nipples.
- 8:- **THRUST FRAME** :- Top mounting for cylinder c/w pin.
- 9:- **POWER PACK MOUNTING** :- locates power pack on vehicle chassis.
- 10:- **FORGED BRACKET** :- Mounts cylinder into "H" frame, zinc plated c/w with grease nipple.
- 11:- **BODY PROP** :- Supports body to allow maintenance work. Fully zinc plated.

ALL THE ABOVE ITEMS ARE IN STOCK AT WYE AND CAN BE DISPATCHED ON OVER NIGHT CARRIER.

3 Way underfloor tipping kit available from stock, call for more details.

PHONE OUR SALES TEAM ON :- 01432 355454

STANDARD UNDER FLOOR DISPLACEMENT TIPPING CYLINDERS



Part No	Stroke	Stage Diameters in mm					All Dimensions in mm							
		45 Ø	60 Ø	75 Ø	90 Ø	105 Ø	A	B	C	D	E	F	G	H
D909/A	910						460	399	118	40 Ø	40	26 Ø	35	95 Ø
D917/A	1057						509	473	118	40 Ø	40	26 Ø	35	95 Ø
D900/A	943						378	150	133	45 Ø	45	26 Ø	33	135 Ø
D918/A	1180						453	417	133	45 Ø	45	26 Ø	33	110 Ø
D903/A	1158						378	120	148	45 Ø	45	26 Ø	33	147 Ø
D919/A	1468						453	417	148	45 Ø	45	26 Ø	33	125 Ø

TIPPING KIT SPEC

- Complete range of under floor tipping kits for 3.5 to 7.5 tonne GVW vehicles.
- 3.5 to 7.5 tonne GVW **3 way tipping kits** available from stock.
- Cylinders and metalwork manufactured in house assuring quality products.
- Technical department can advise on correct cylinder and kit for tipping application.
- Detailed drawings of cylinders available on request.
- Cylinders have **Hard Chrome** plated inner tubes and **Zinc** plated outer tube. These treatments prolong cylinder life.

Wye Cylinder Engineering Ltd

403 Netherwood Road,
 Rotherwas Industrial Estate, Hereford HR2 6JU
 Tel: +44 (0) 1432 355454 Fax: +44 (0) 1432 358727
 E-mail: sales@wye-cylinder.co.uk
 Website: www.wye-cylinder.co.uk

